

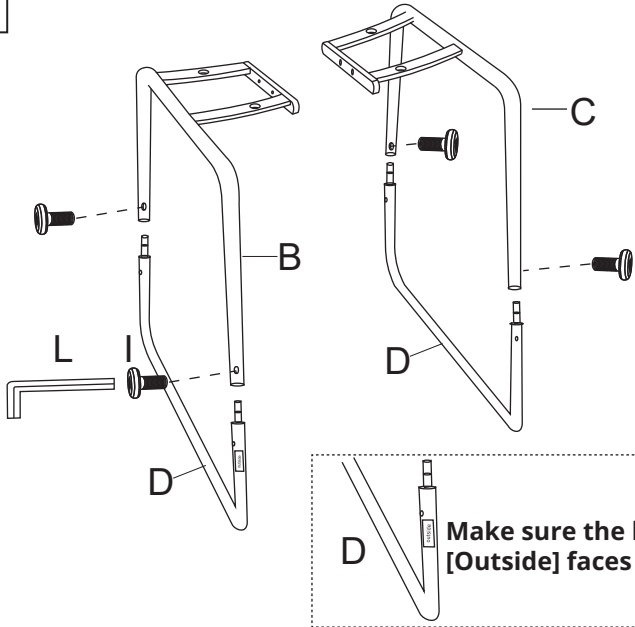
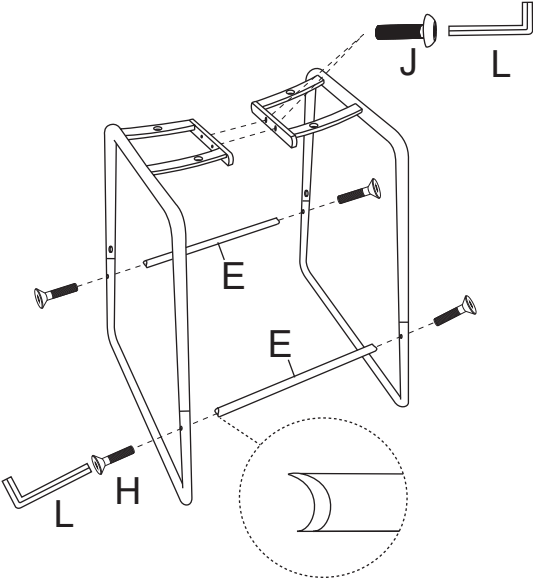


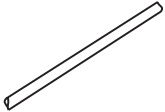

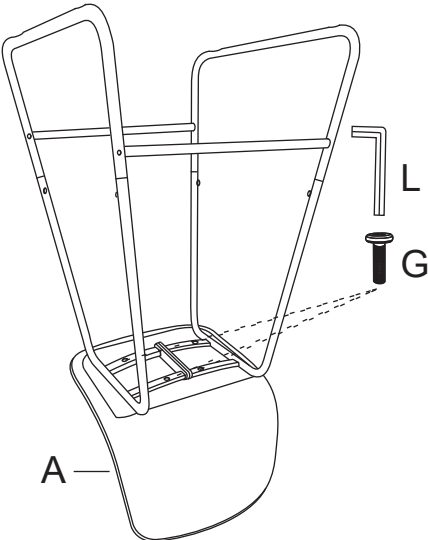
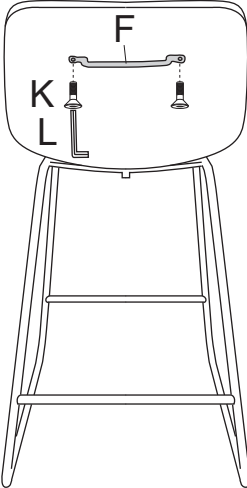
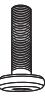



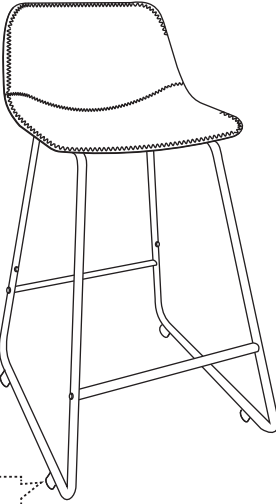





# ASSEMBLY INSTRUCTION

<b>A</b>  x1	<b>B</b>  x1	<b>1</b> 	<b>2</b> 
<b>C</b>  x1	<b>D</b>  x2		
<b>E</b>  x2	<b>F</b>  x1	<b>3</b> 	<b>4</b> 
<b>G</b> M6*20MM  x4+1	<b>H</b> M6*30MM  x4+1		
<b>I</b> M6*10MM  x4+1	<b>J</b> M8*14MM  x2+1	<b>5</b> 	
<b>K</b> M6*18MM  x2+1	<b>L</b>  x1		
<b>M</b>  x1			