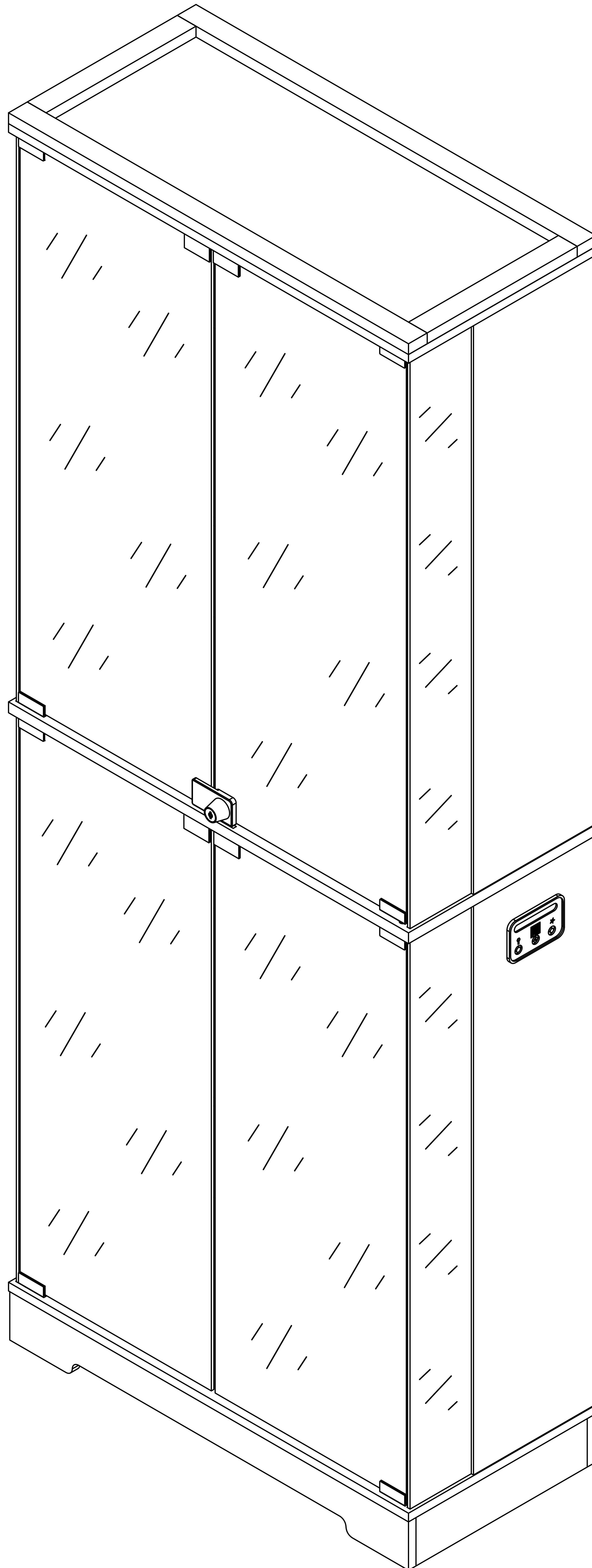
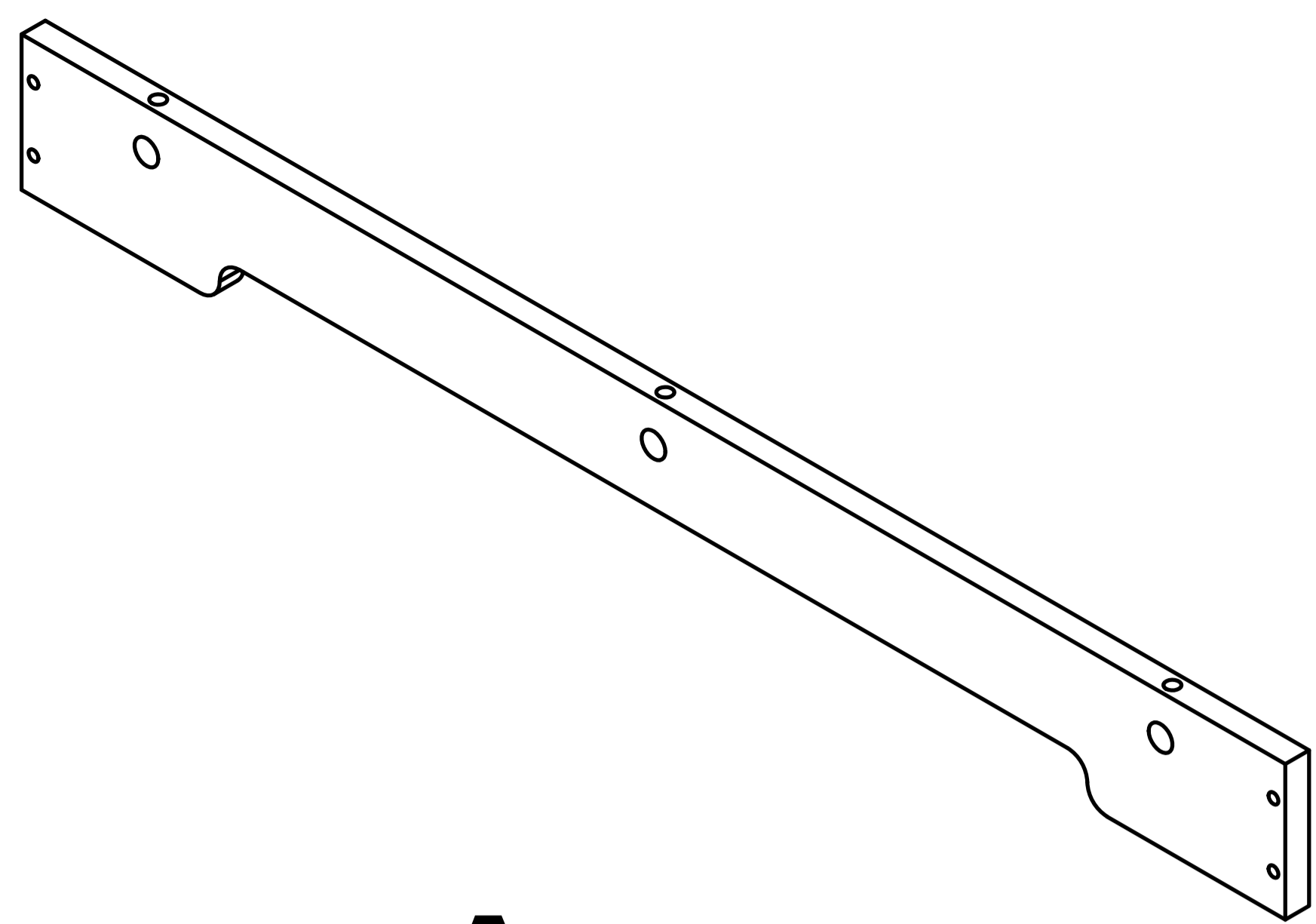
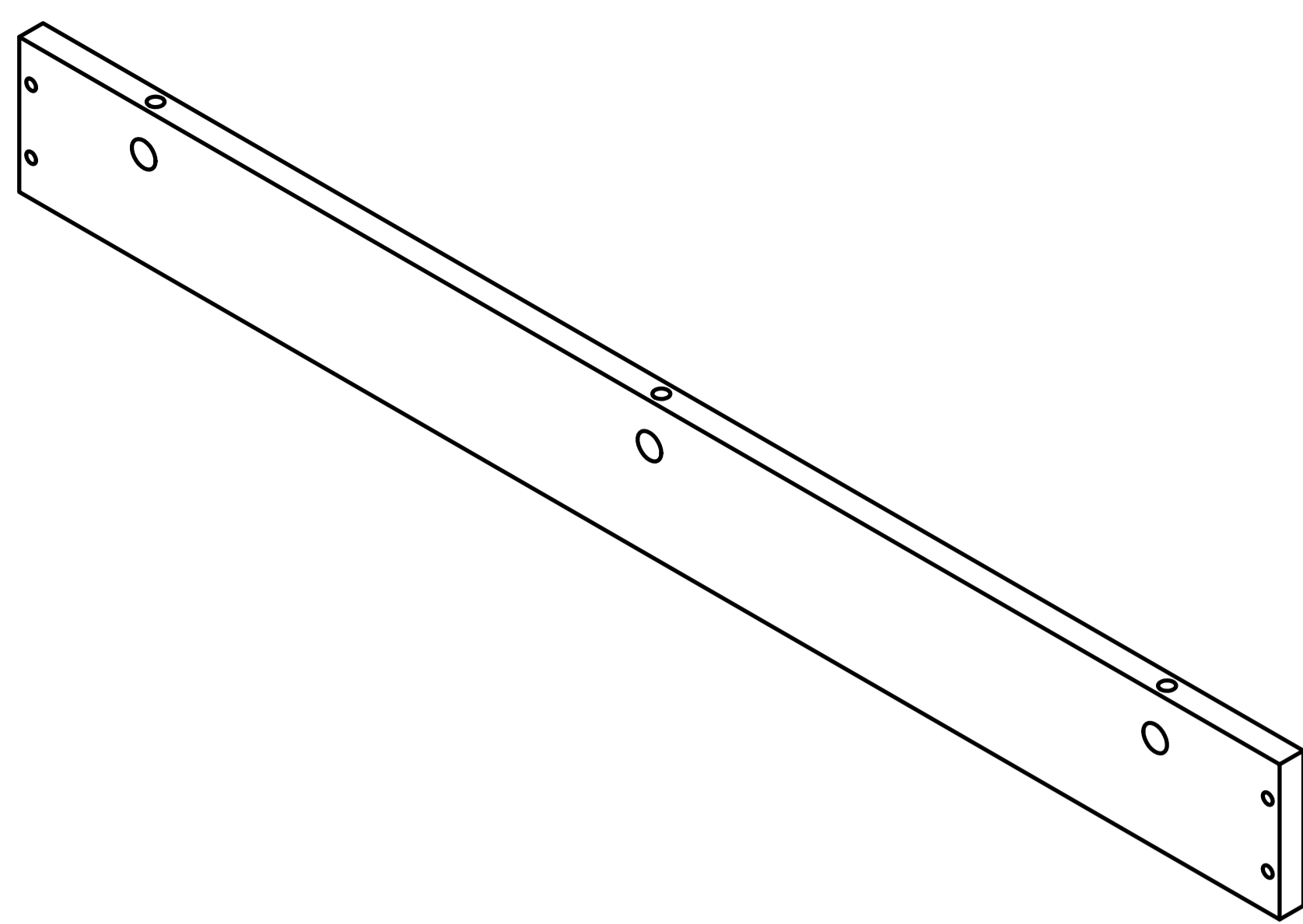


Product Installation Instructions

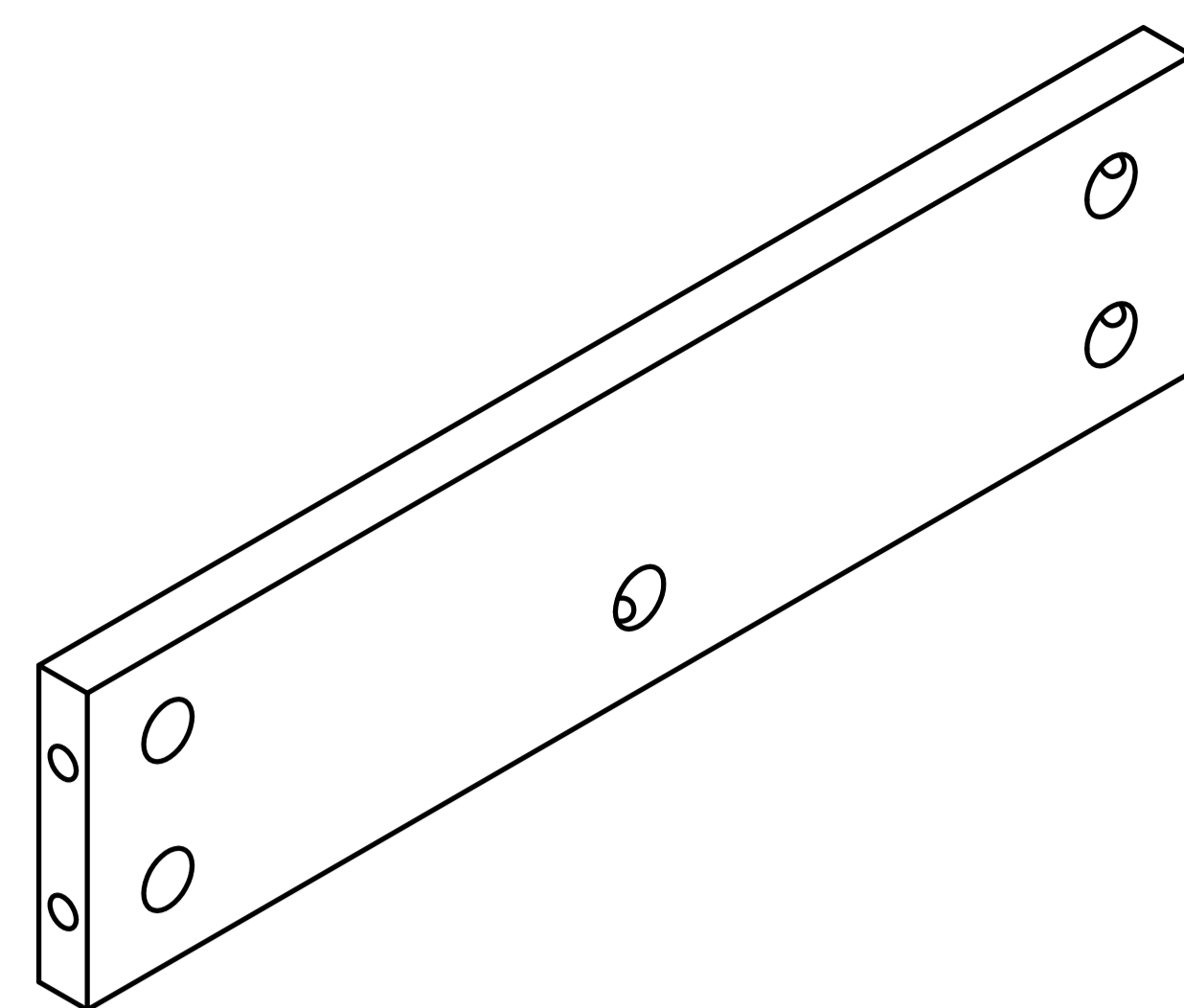




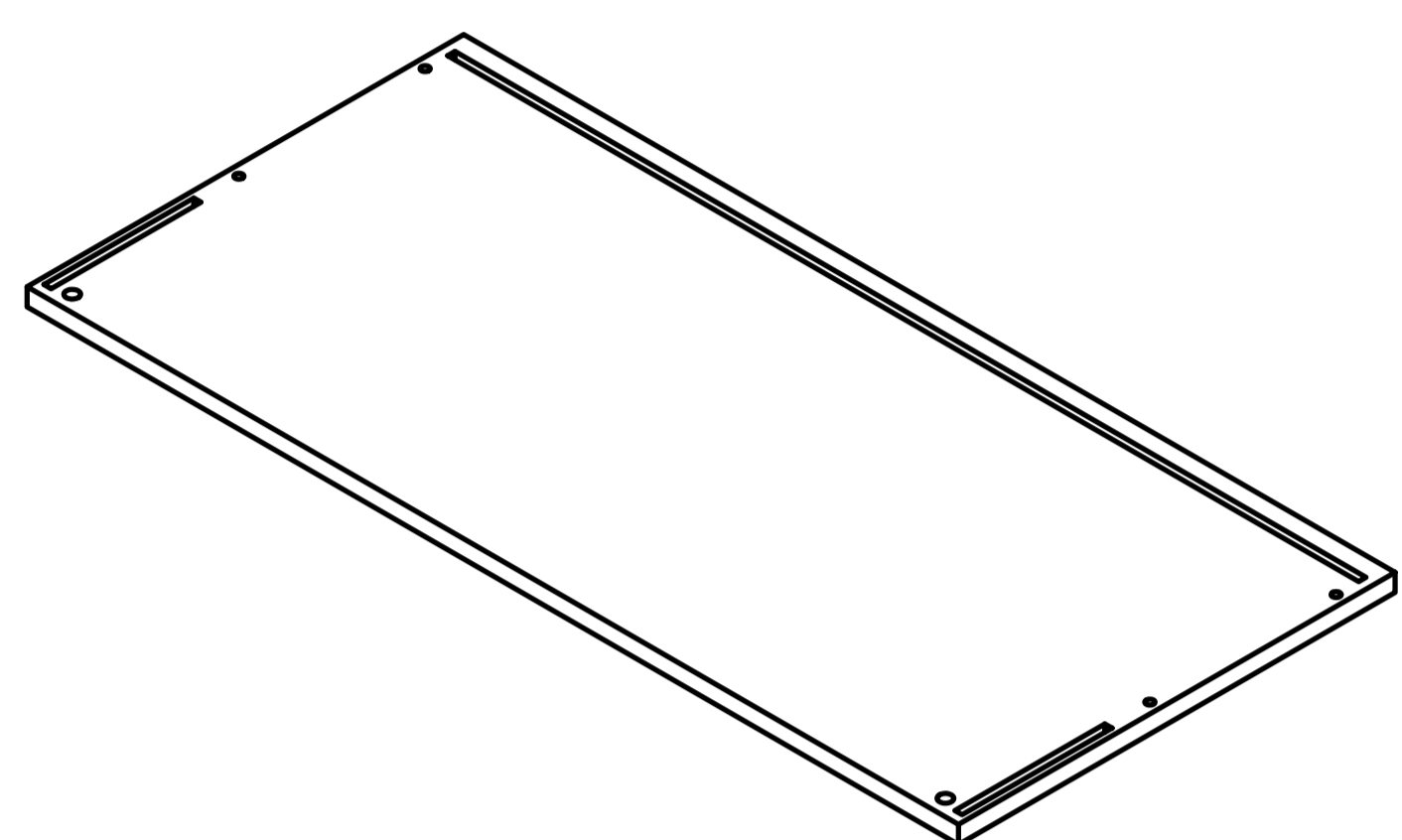
A x1



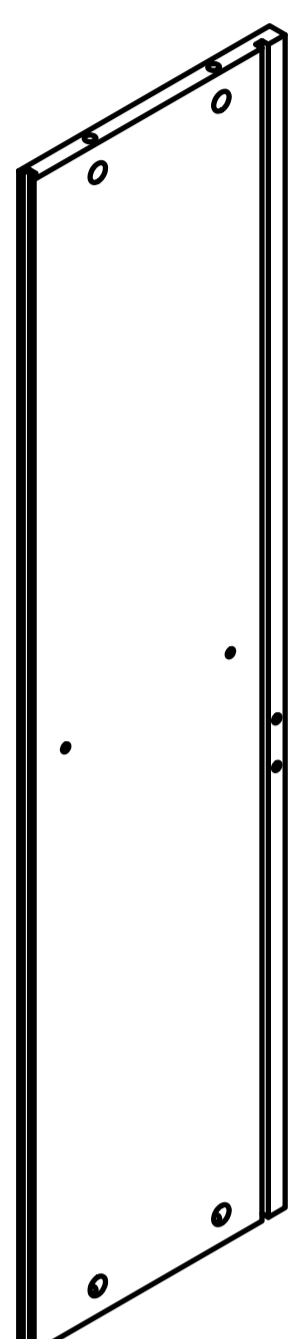
B x1



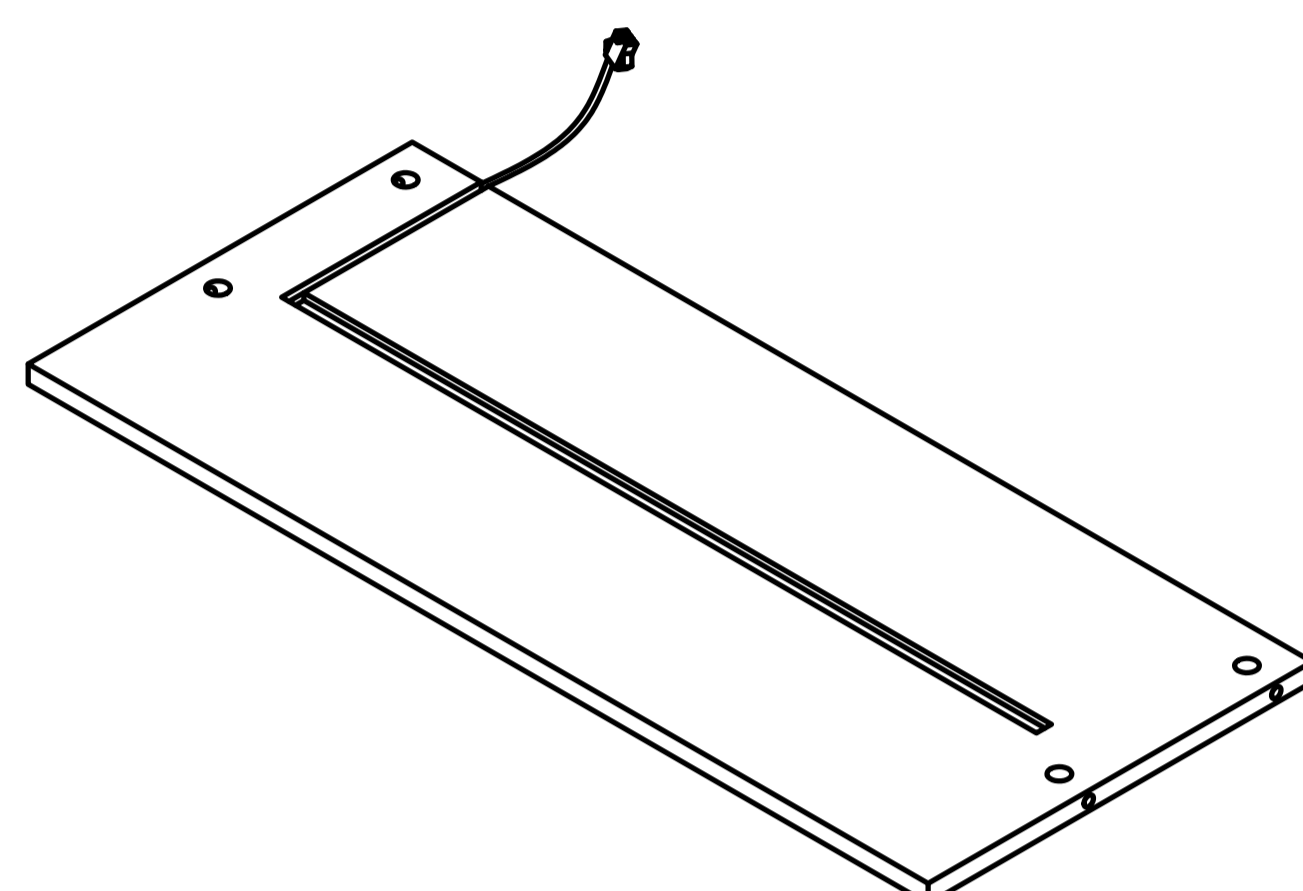
C x2



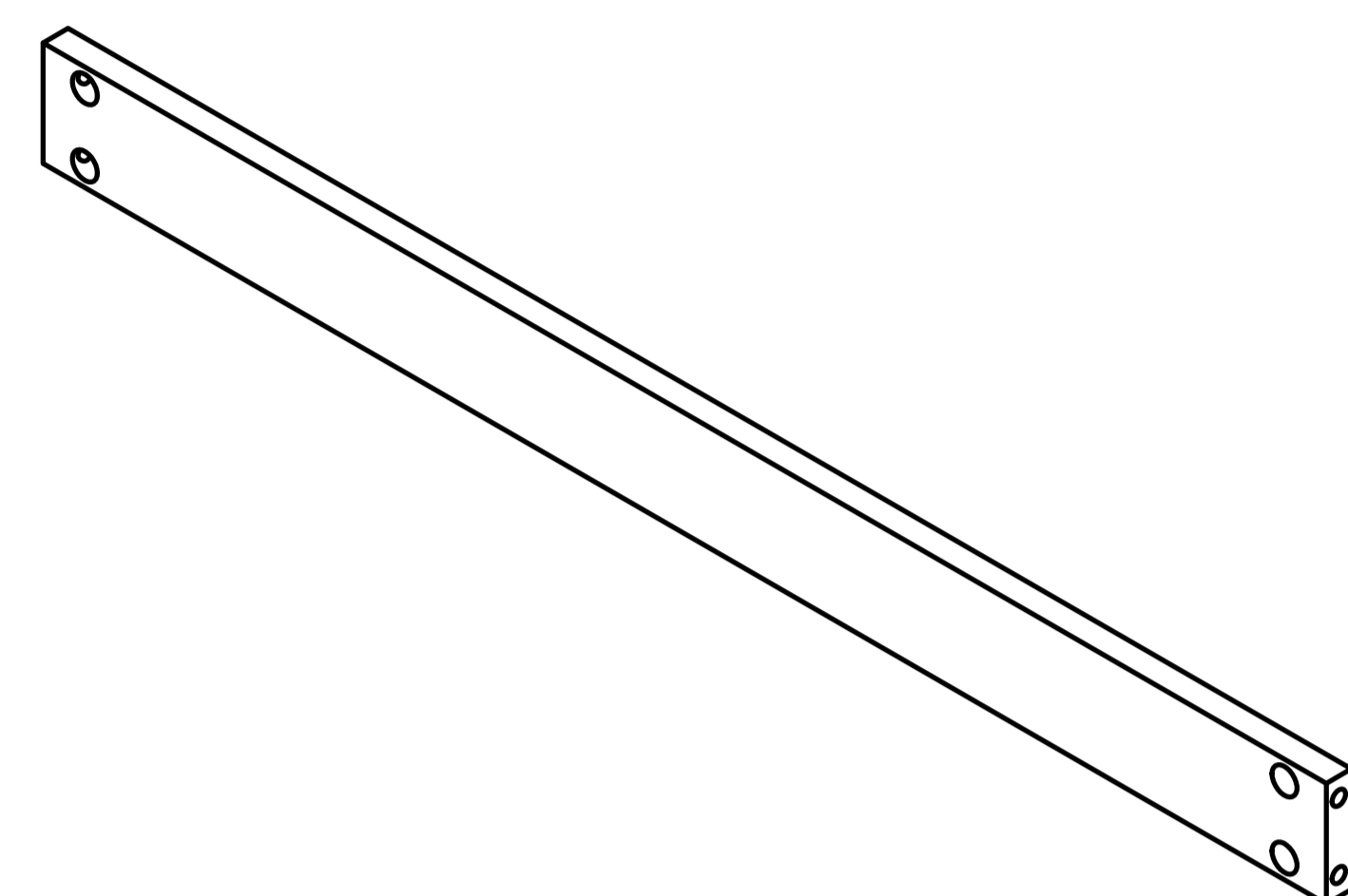
D x1



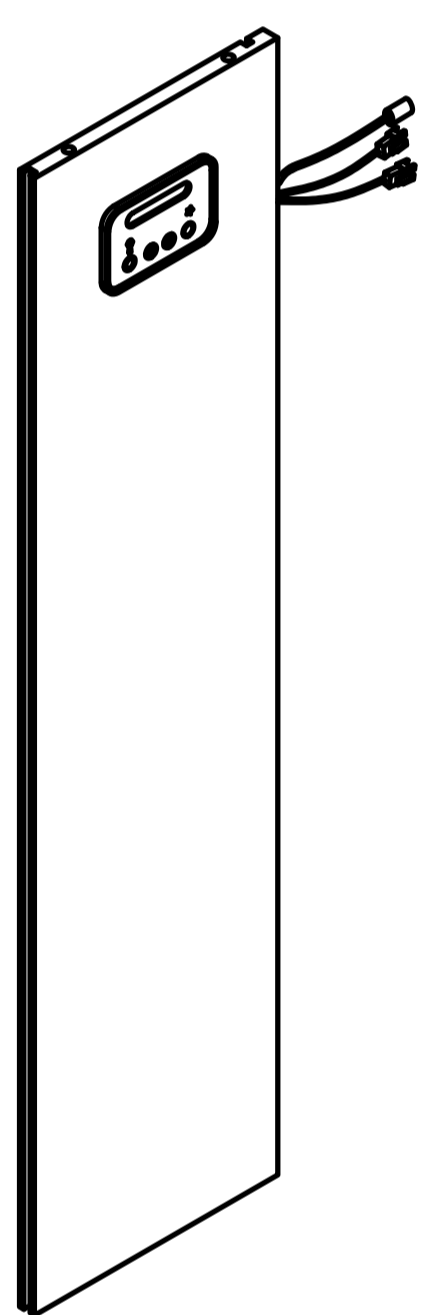
E x1



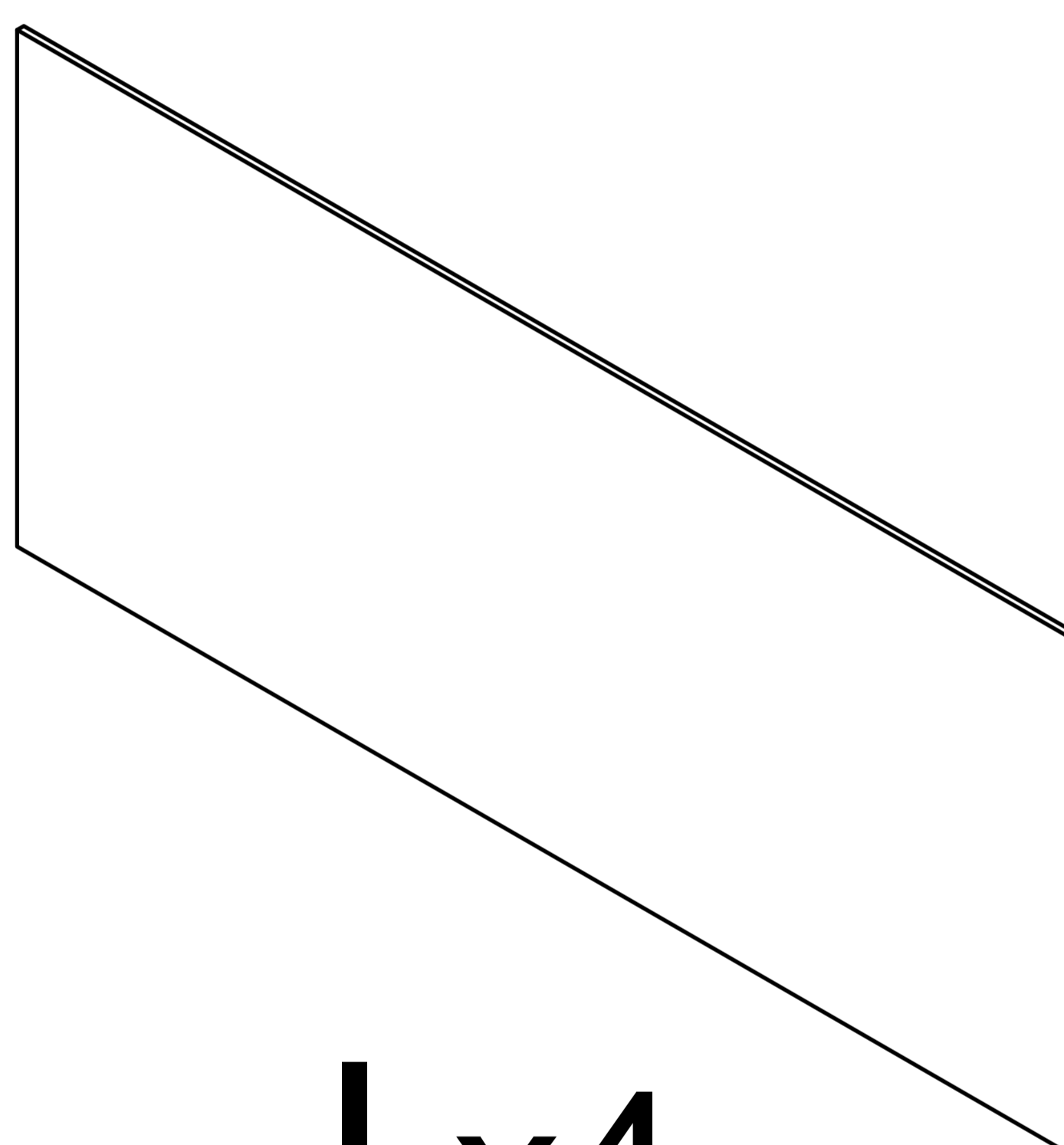
F x2 ①②



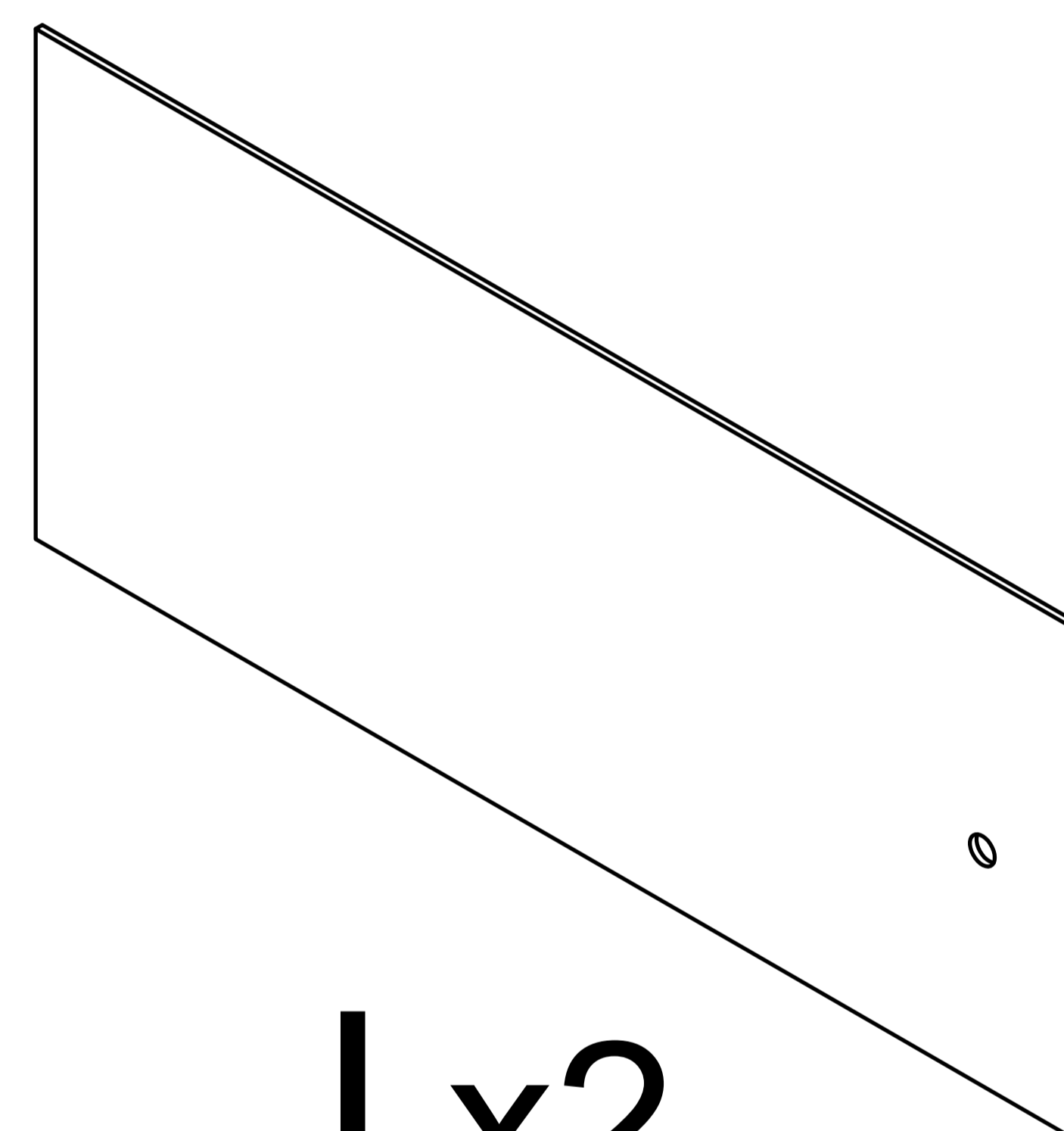
G x2



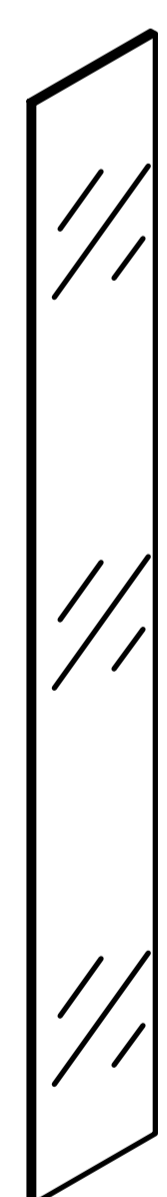
H x1



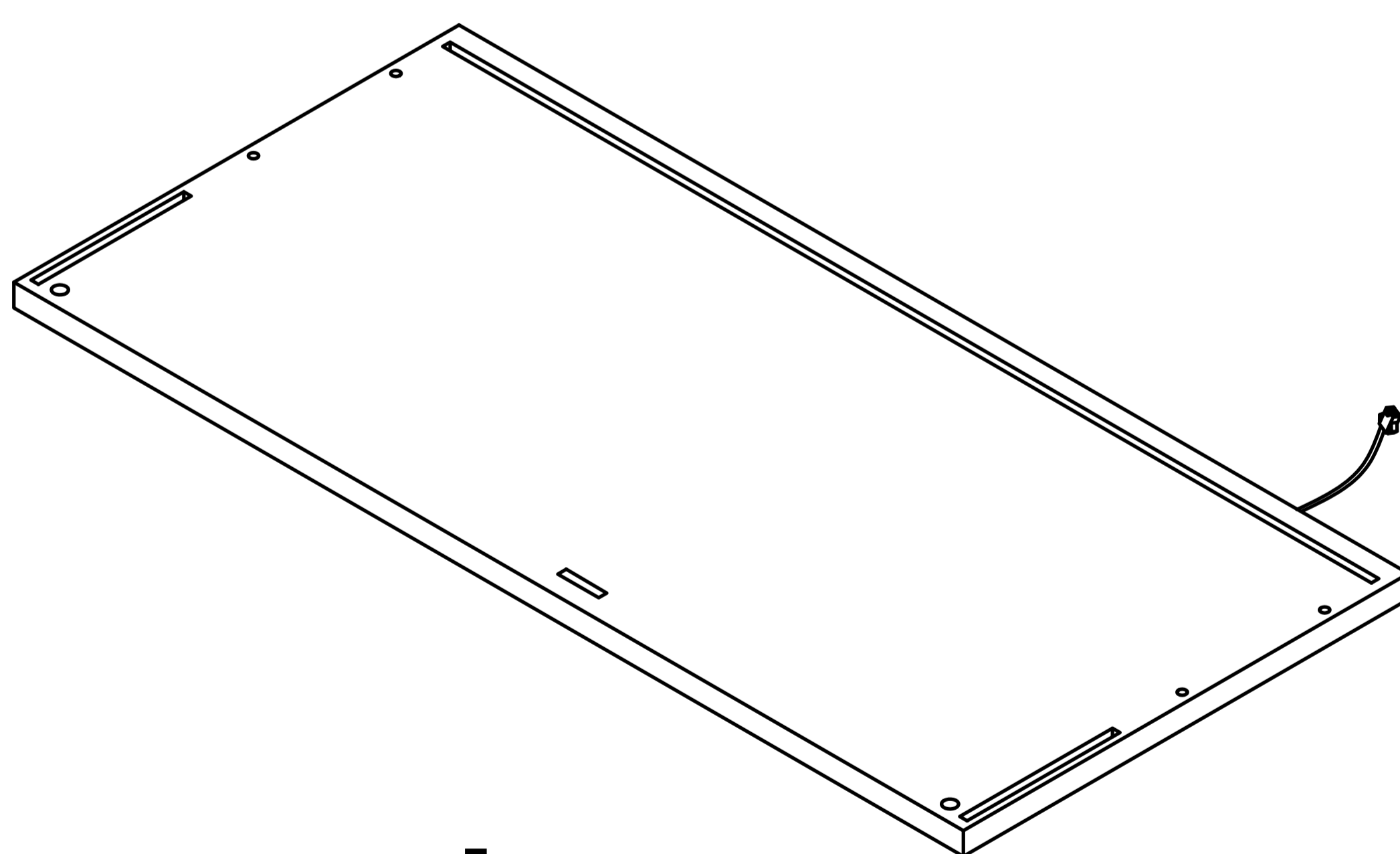
I x4



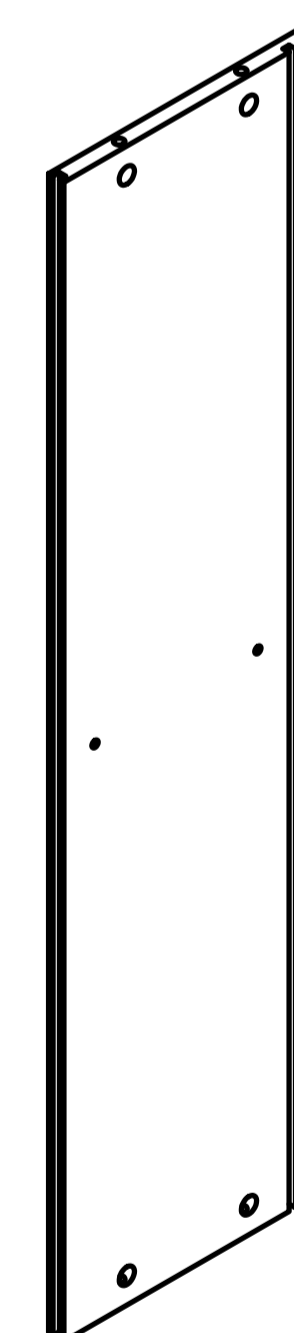
J x2



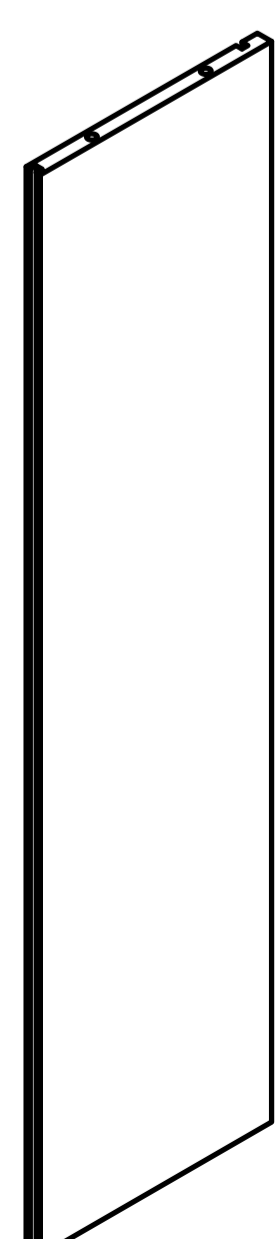
K x4



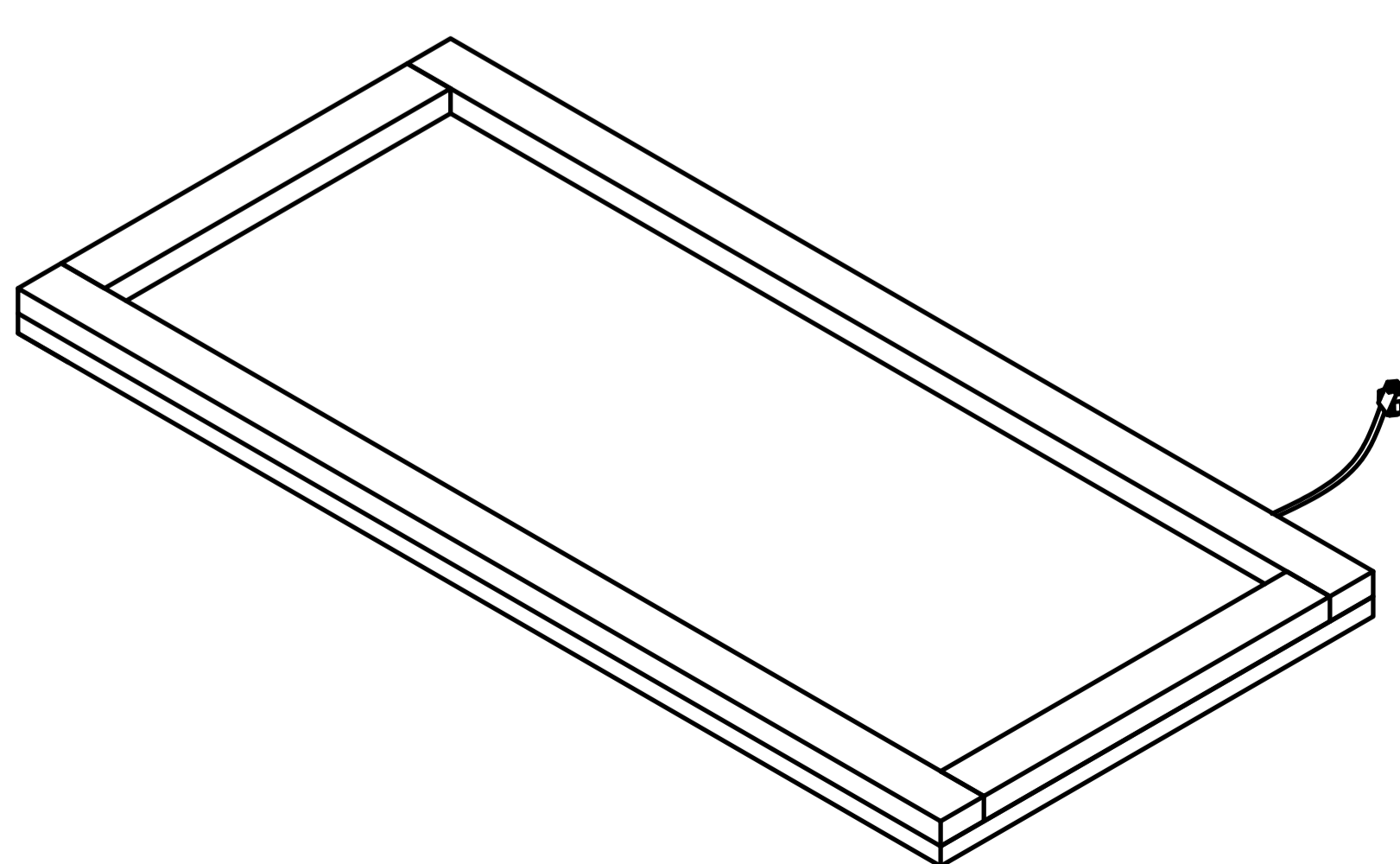
L x1



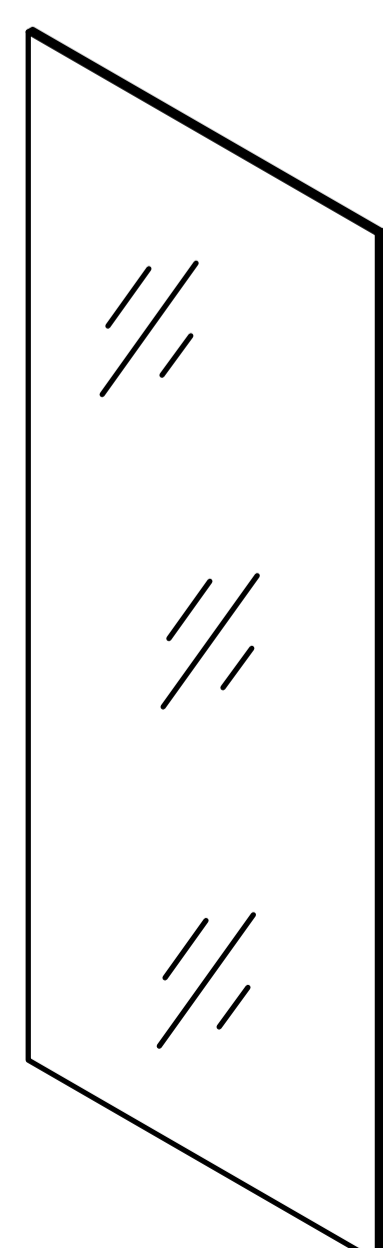
M x1



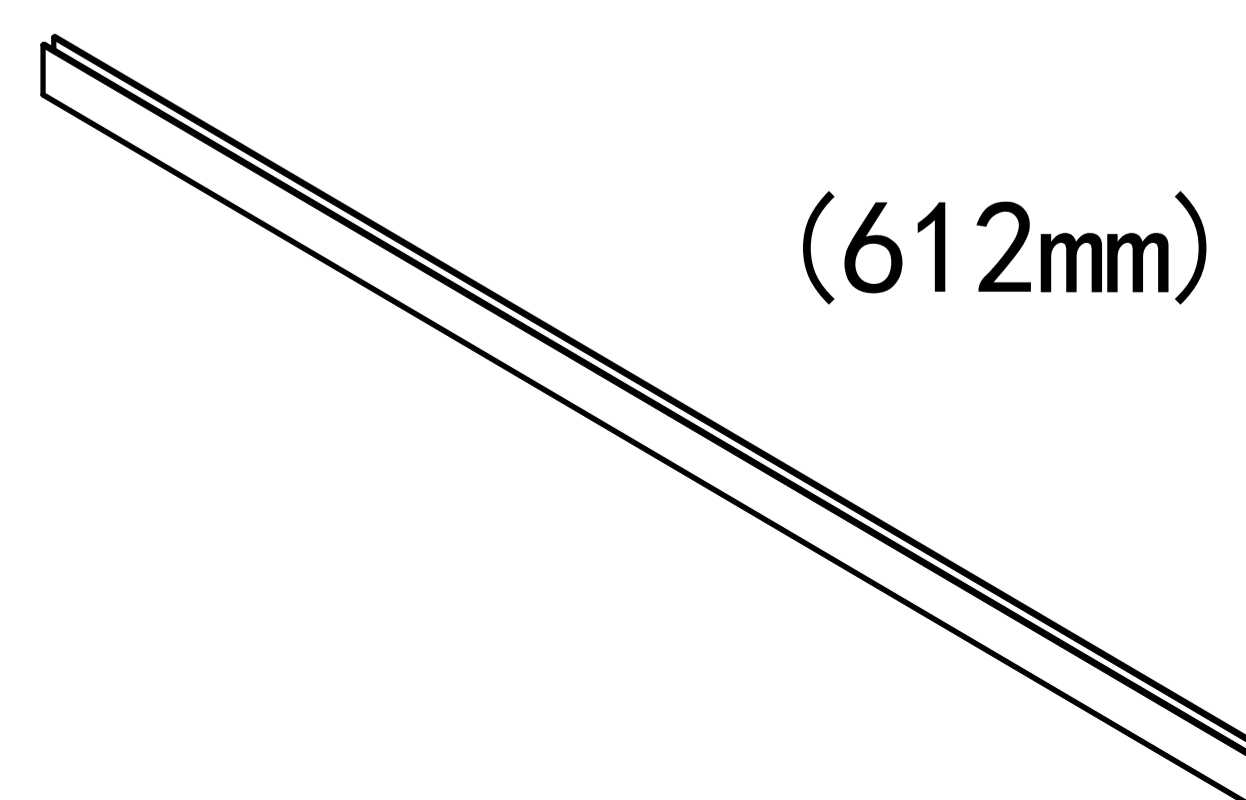
N x1



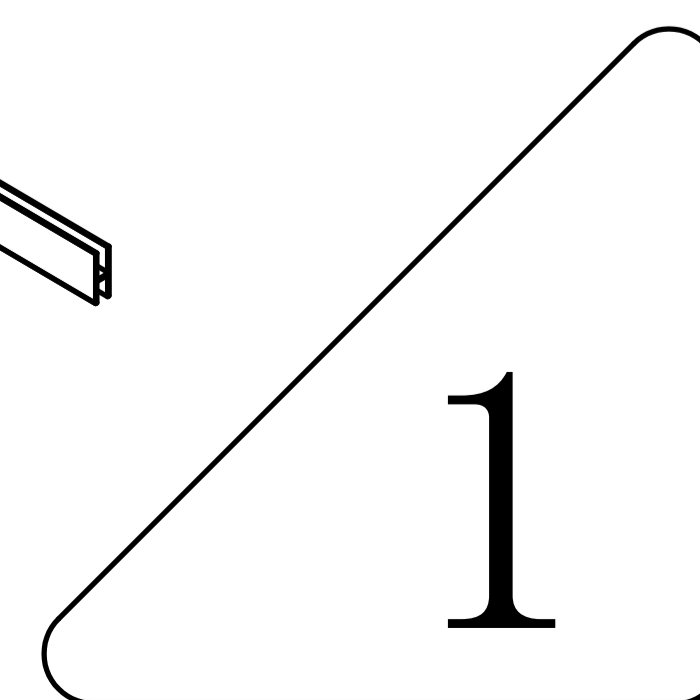
O x1



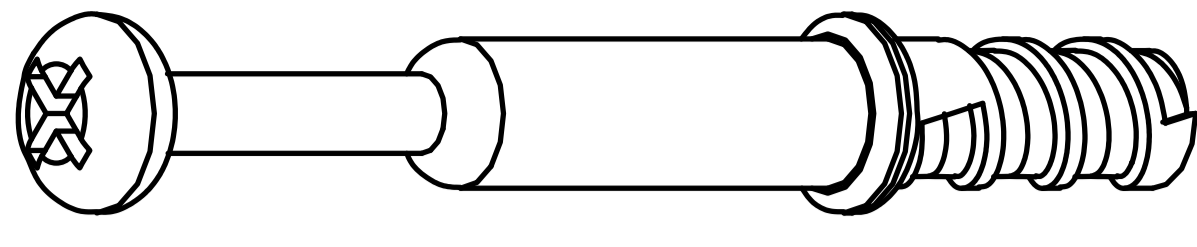
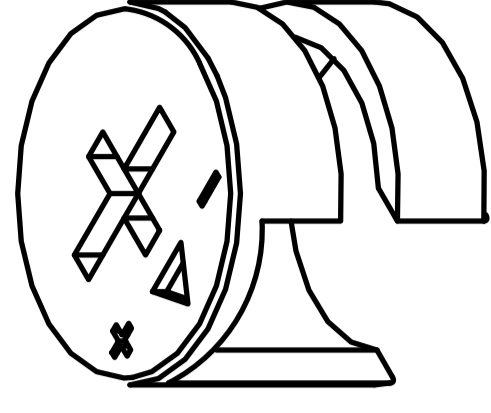
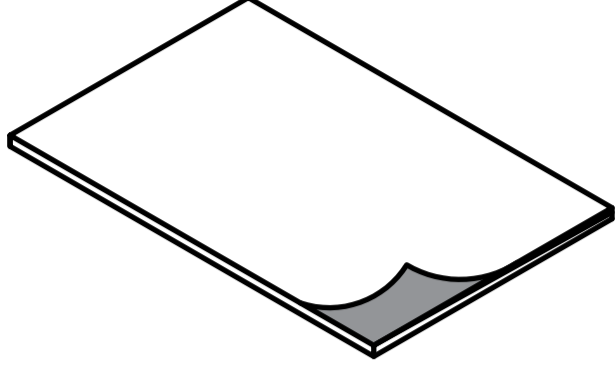
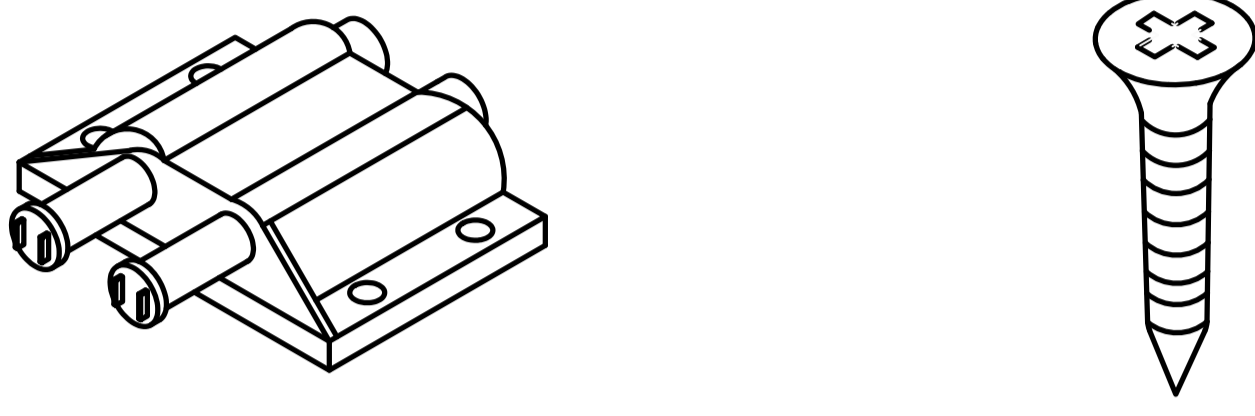
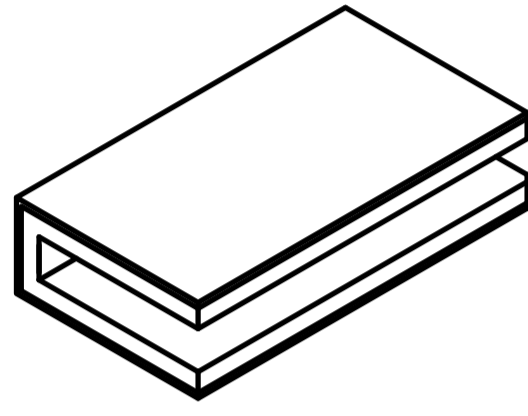
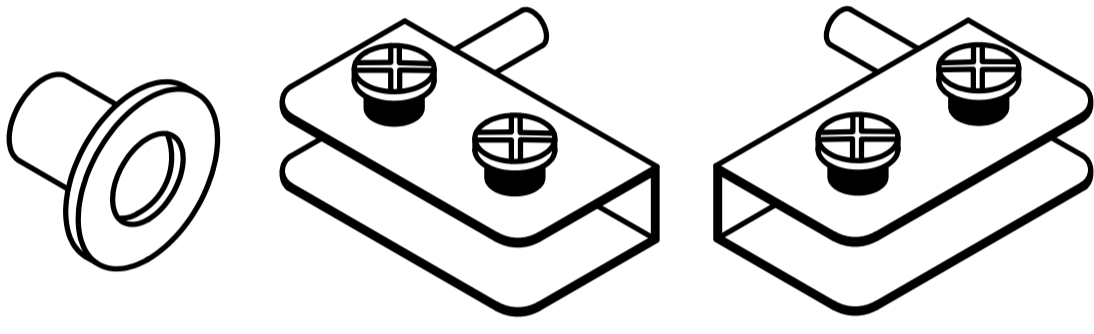
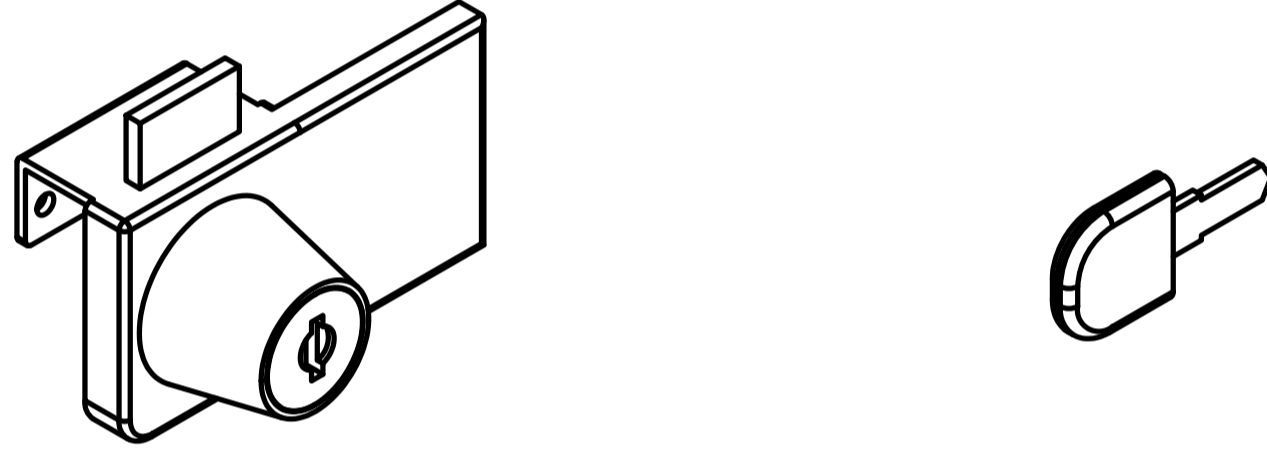

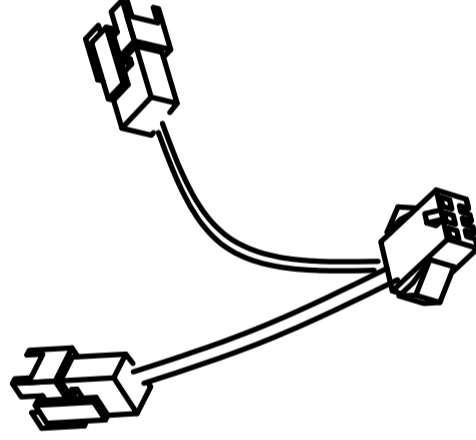
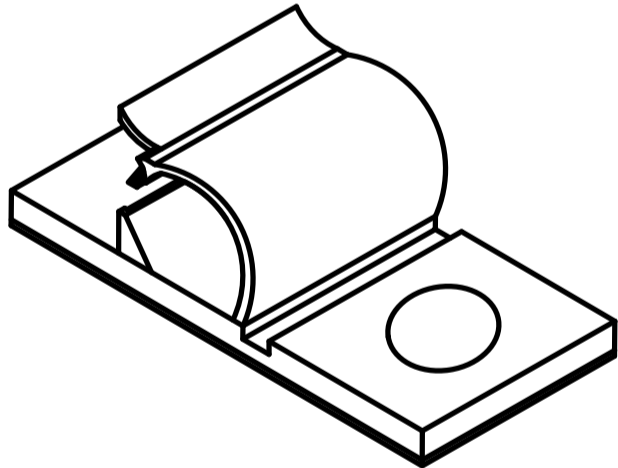
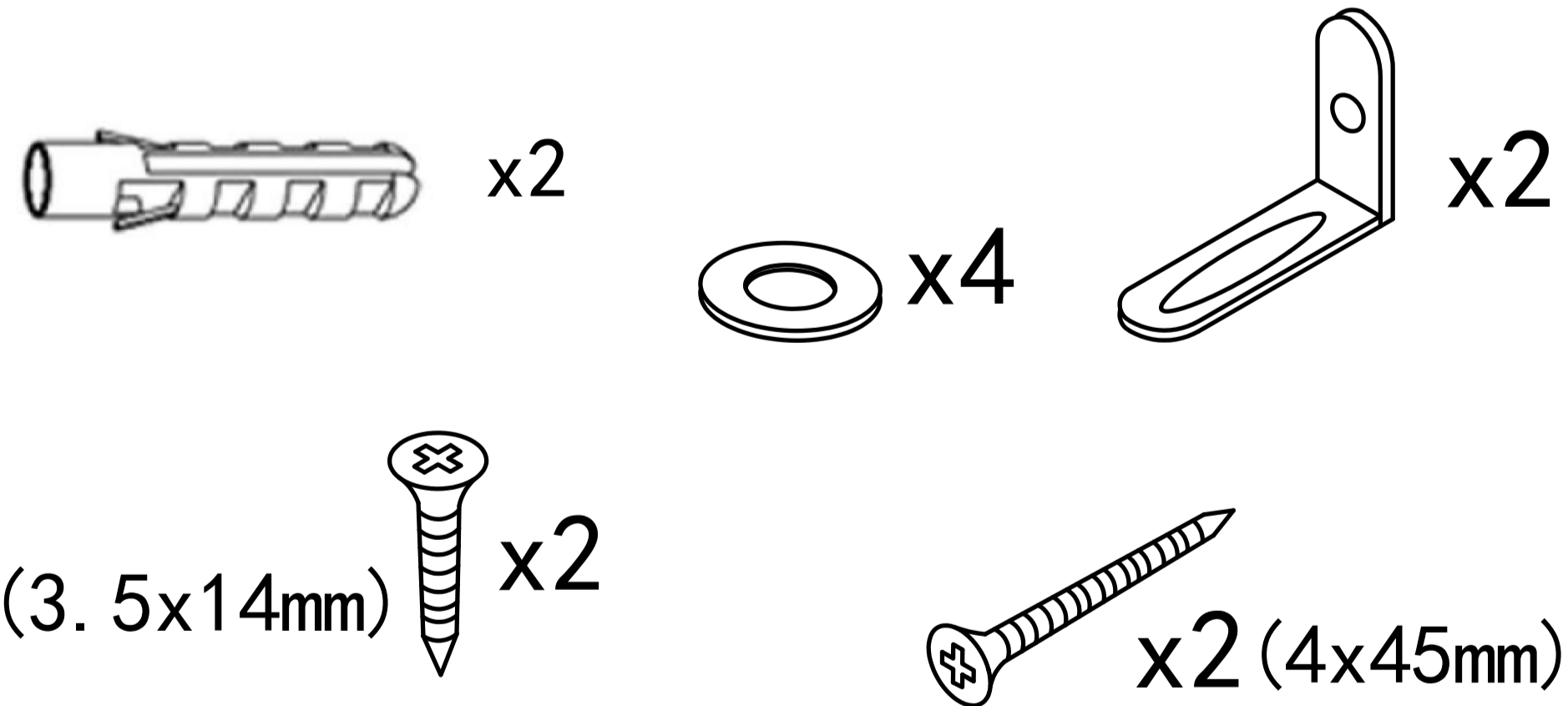
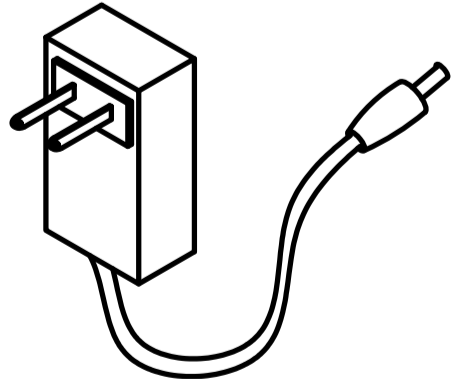
P x4

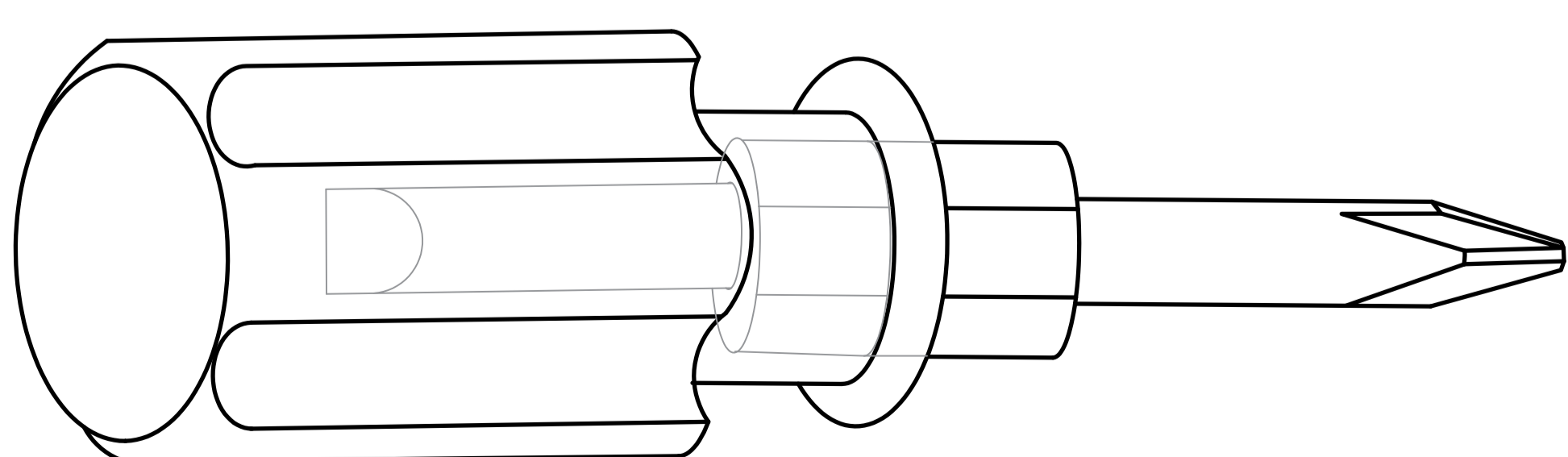


Q x4

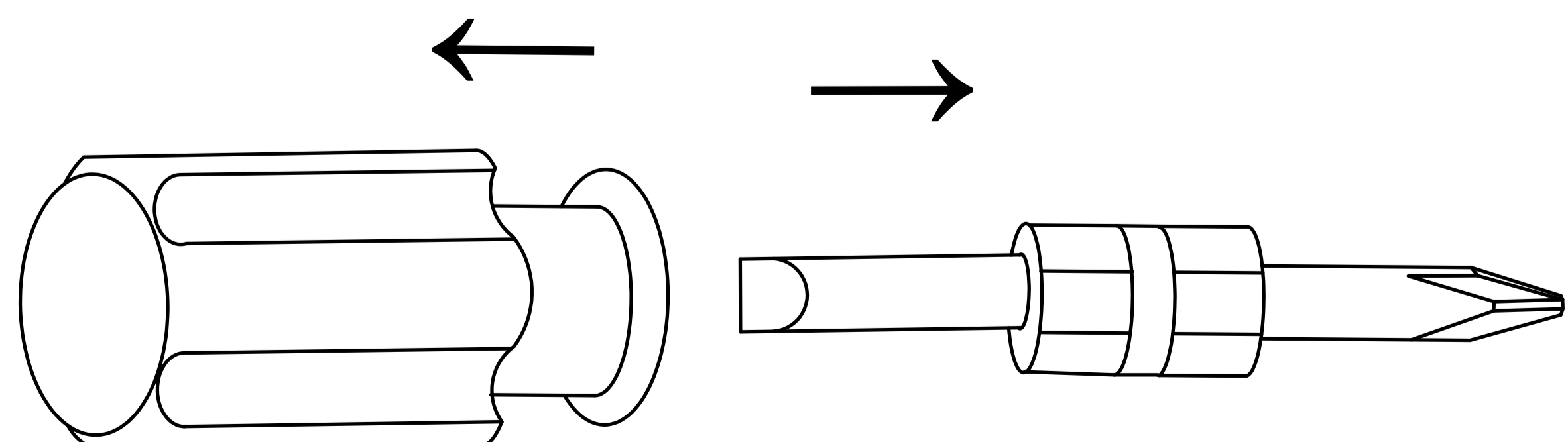


1

| | | | |
|---|---|---|-----------------------|
| ① |  | Two In One Screw (6x28mm) | 48pcs +5pcs |
| ② |  | Two In One Nut (10x12mm) | 48pcs +5pcs |
| ③ |  | Non-slip pads (50x10mm) | 6pcs +2pcs |
| ④ |  | Rebound device & Screw (3x16mm) | 8pcs +2pcs 2pcs |
| |  | Iron sheet | 4pcs |
| |  | Hinge | 8pcs 4pcs 4pcs |
| ⑤ |  | Double door glass lock & Key | 2pcs 1pcs |
| ⑥ |  | Fixing clip & screw (3x16mm) | 20pcs +2pcs |
| ⑦ |  | Forked line | 2pcs |
| ⑧ |  | Wire clamp | 2pcs +1pcs |
| ⑨ |  | Anti Fall Hardware | 1pcs |
| |  | AC/DC Adapter (12V = 3.0A) | 1pcs |

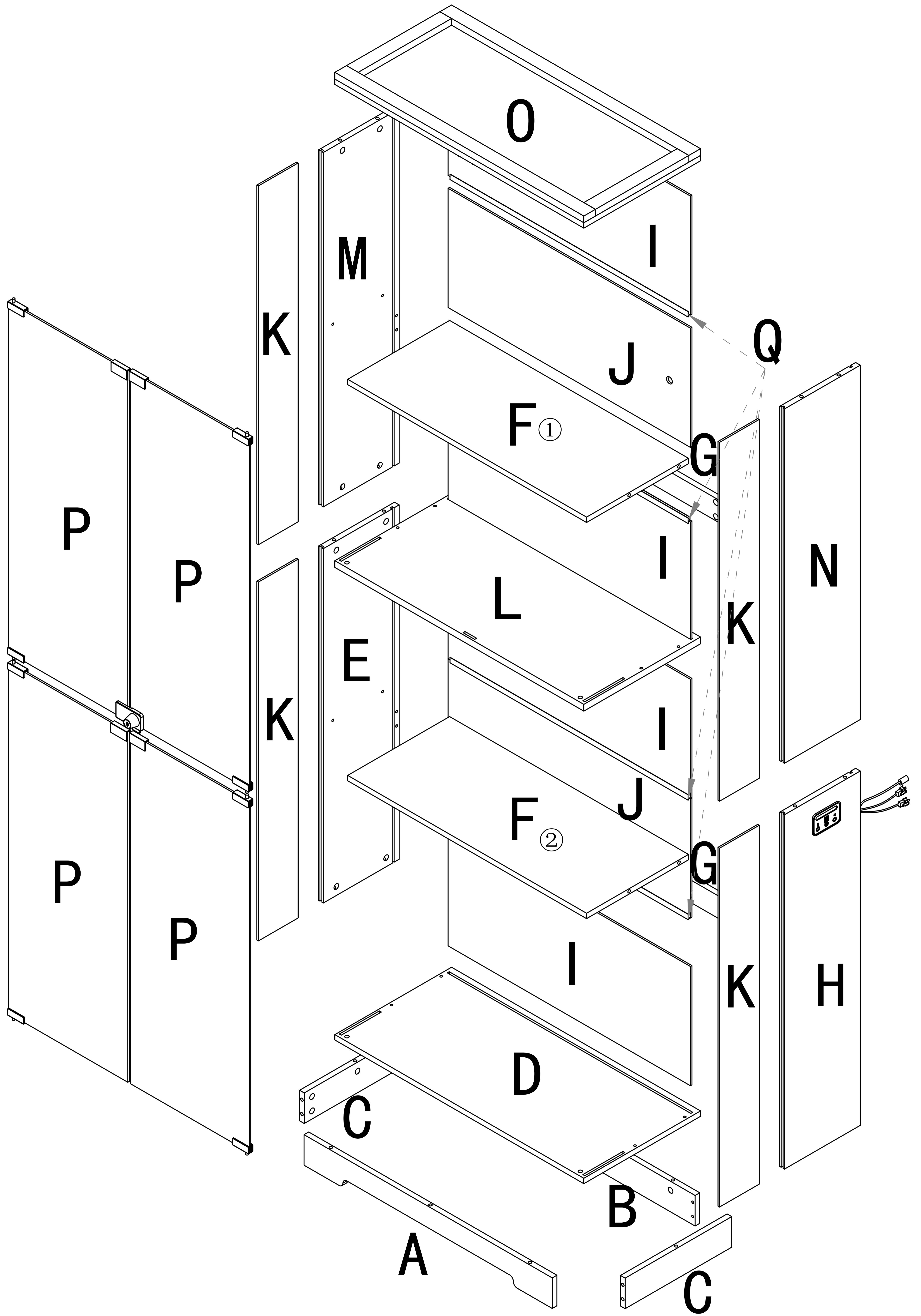


1pcs



Double-head screwdriver, use as required

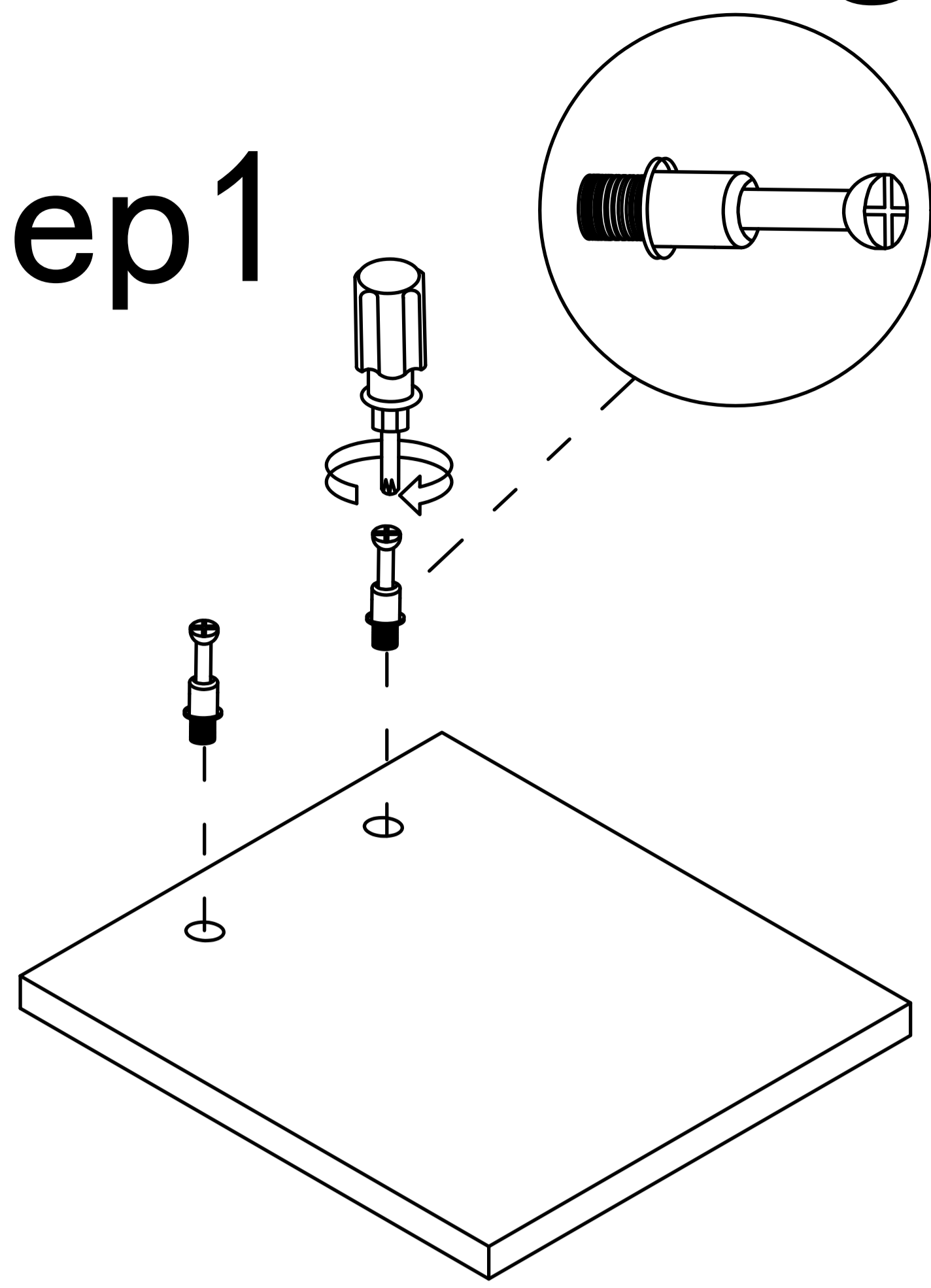
2



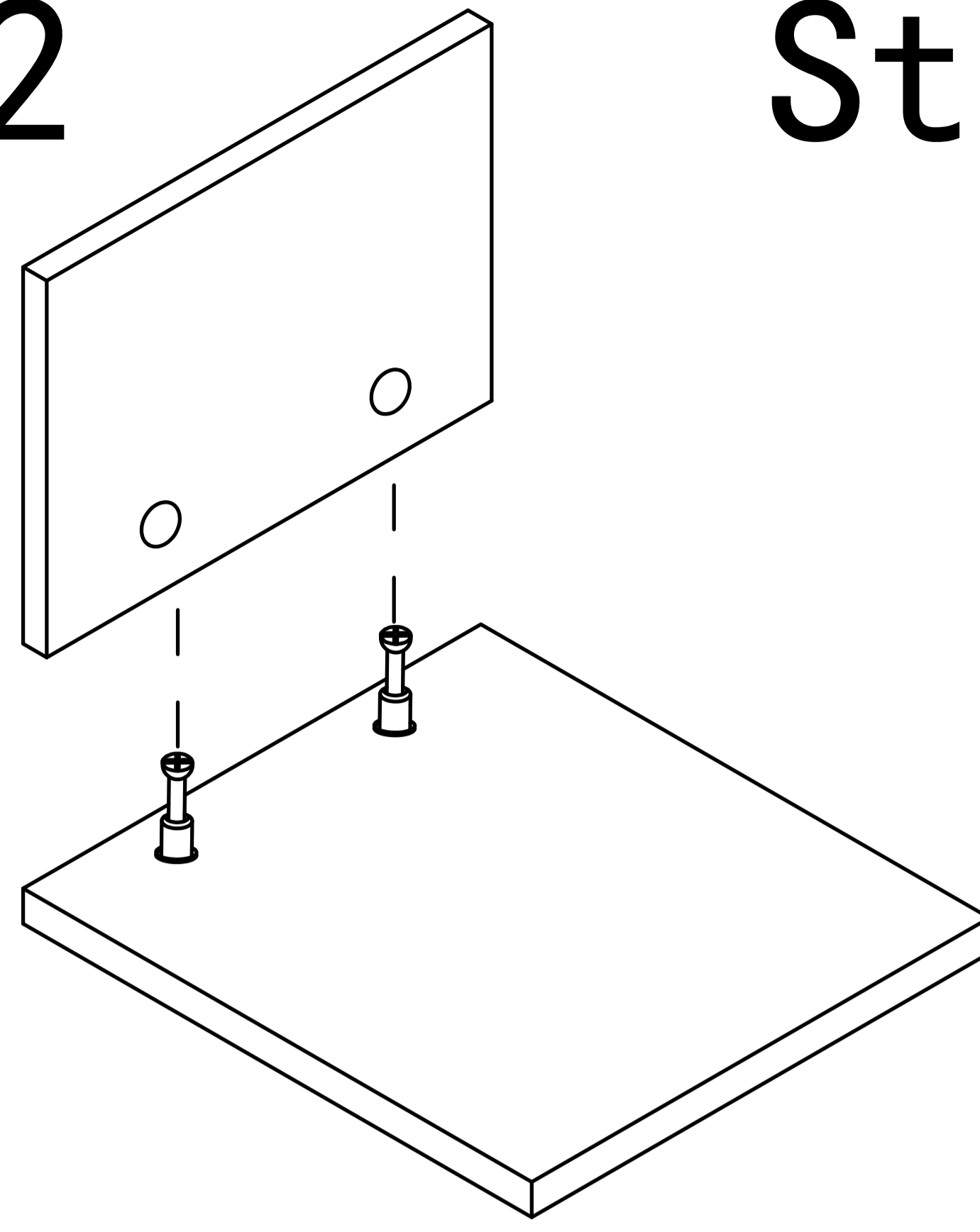
Product structure decomposition

Use parts ① and ②

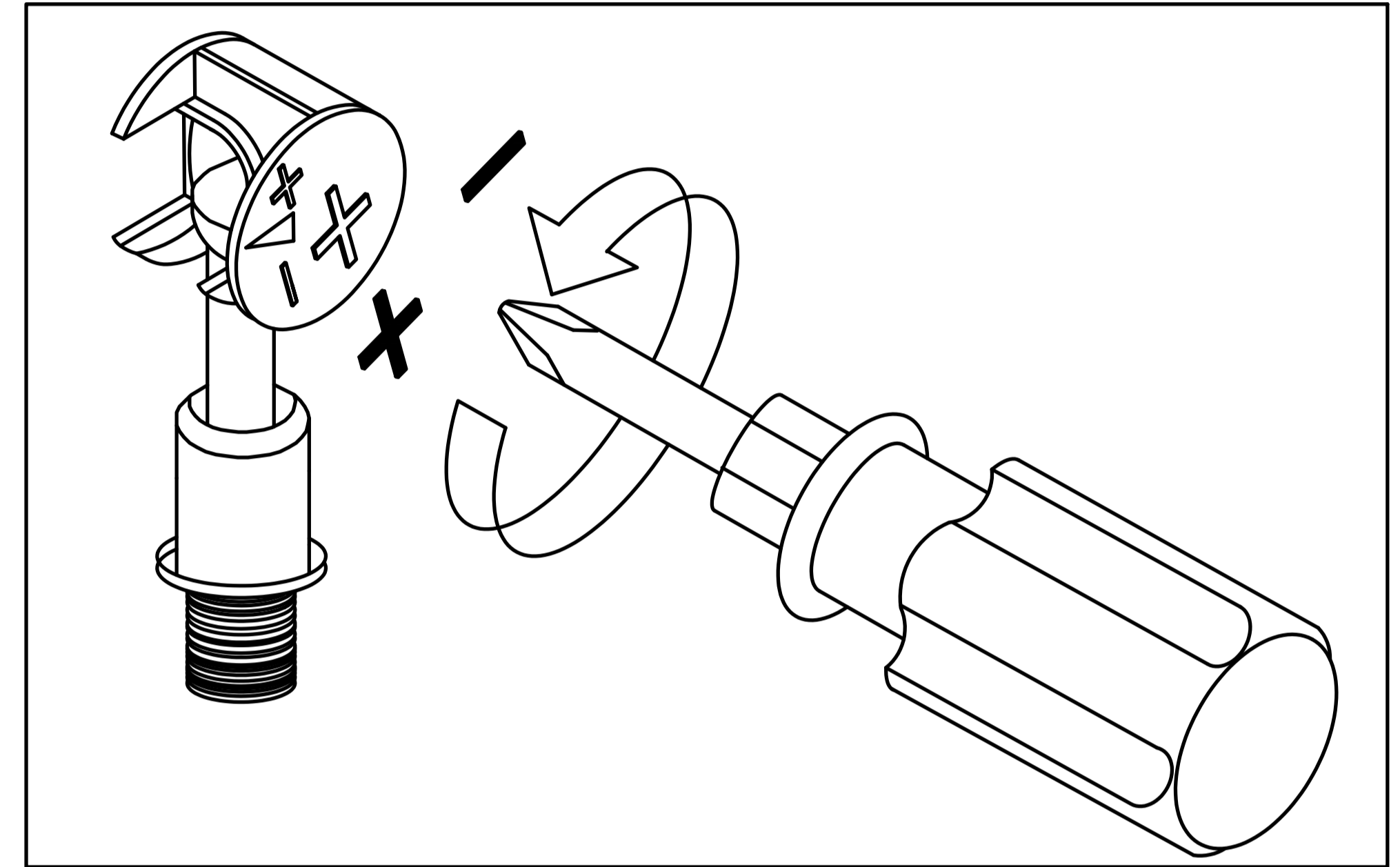
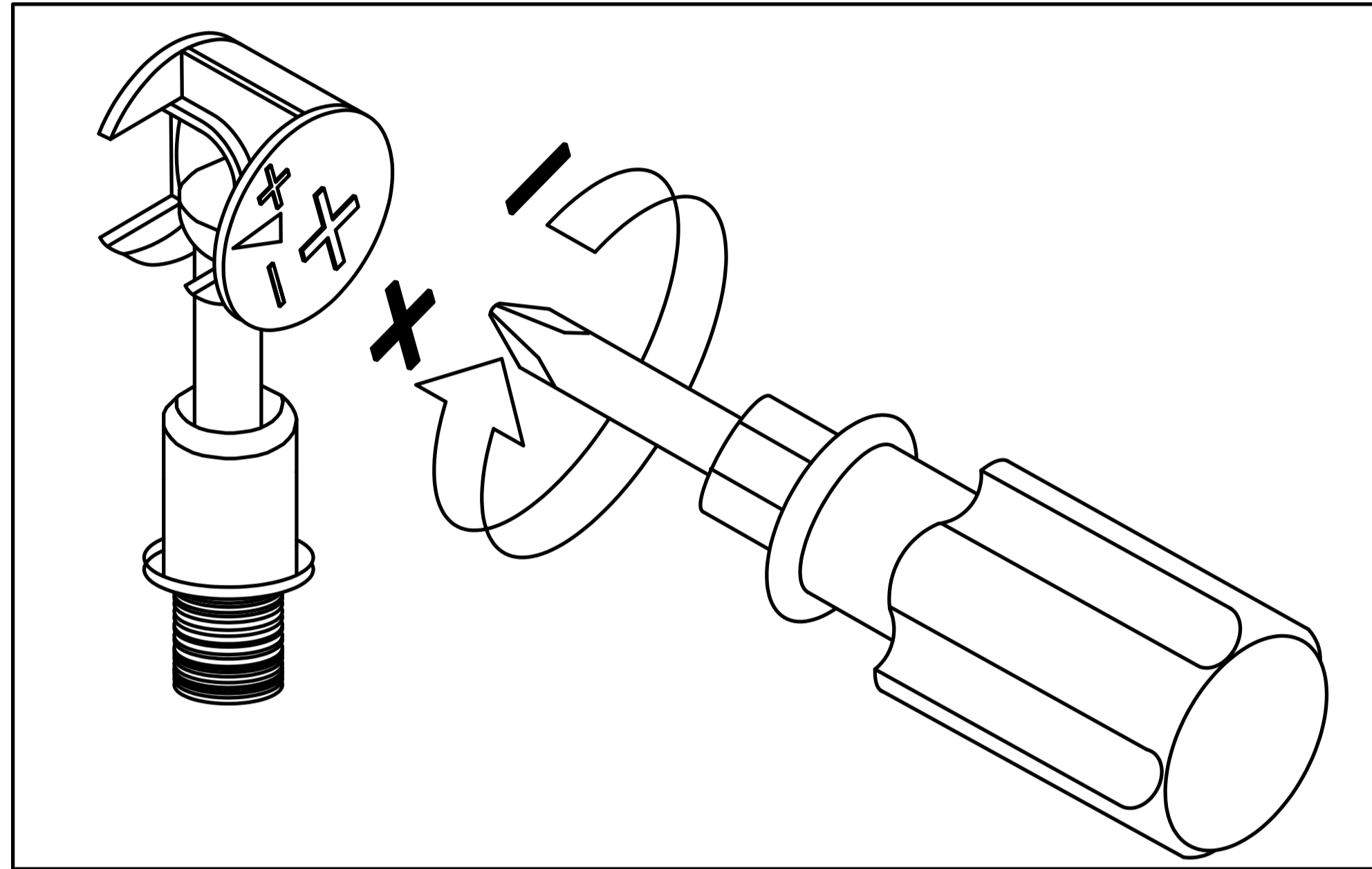
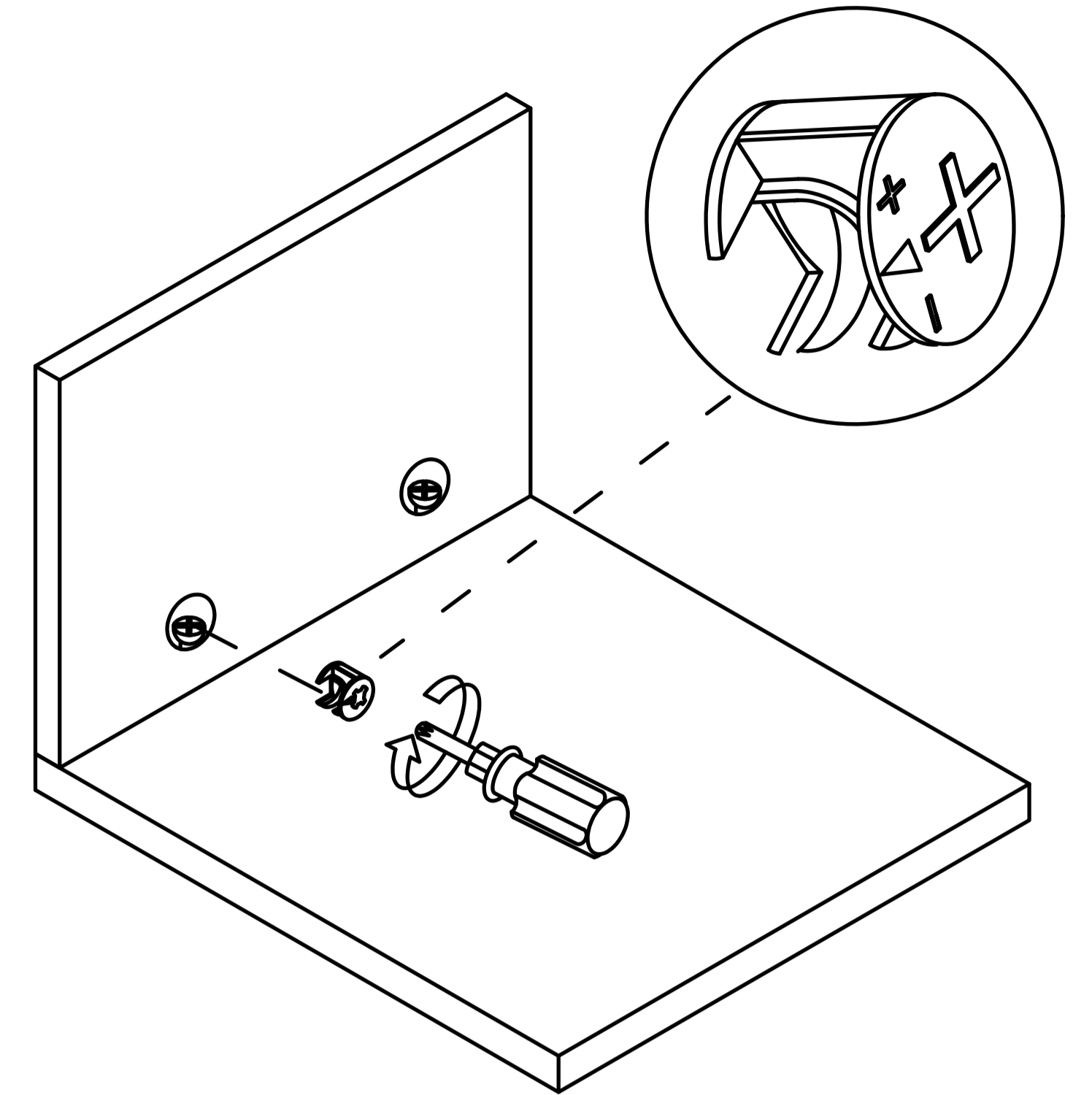
Step 1



Step 2



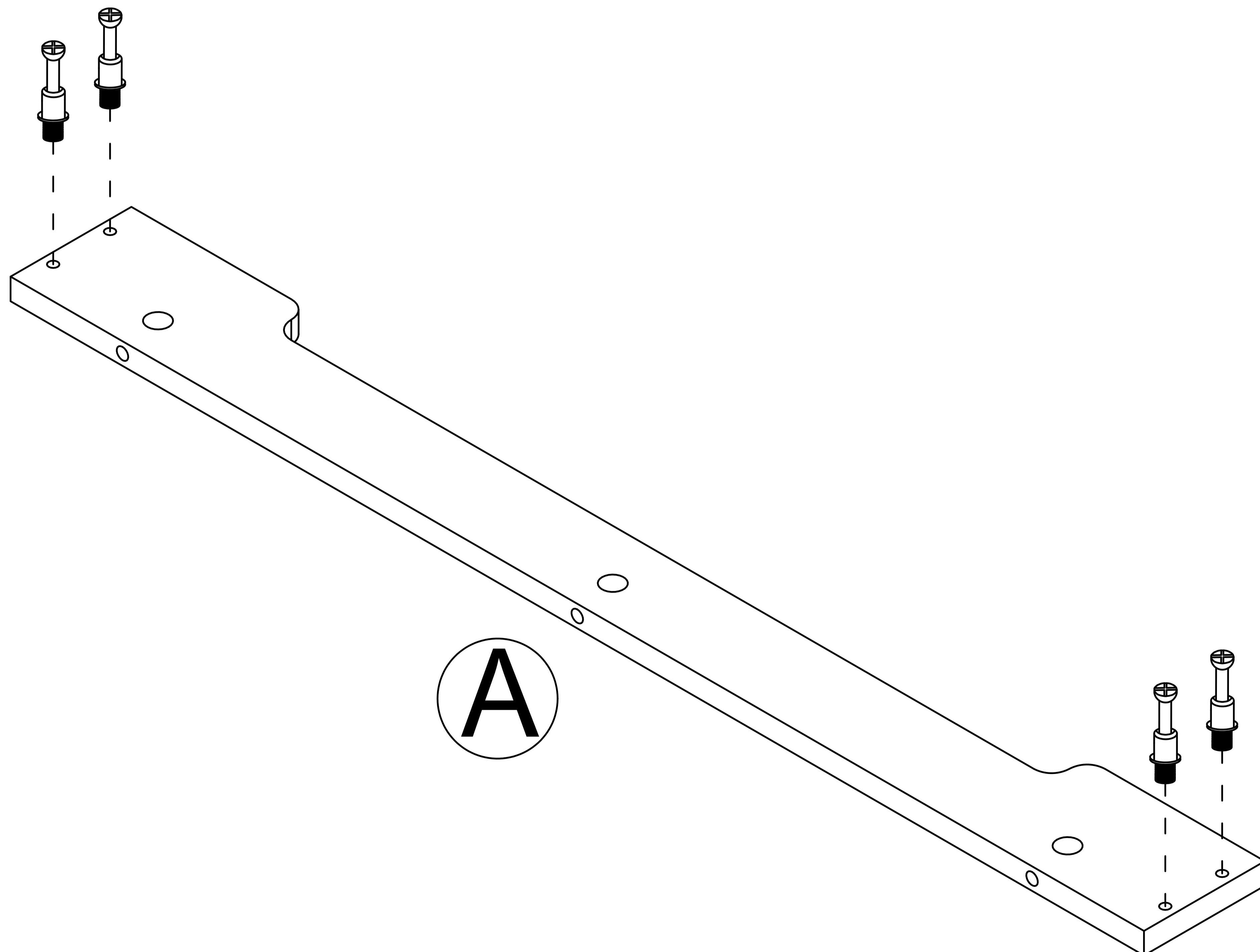
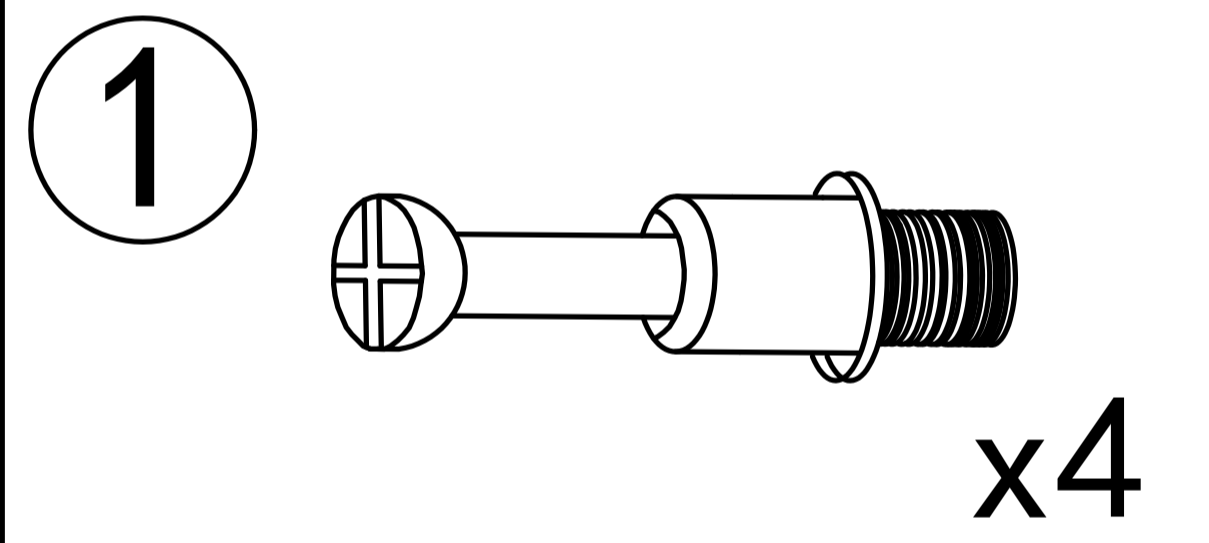
Step 3



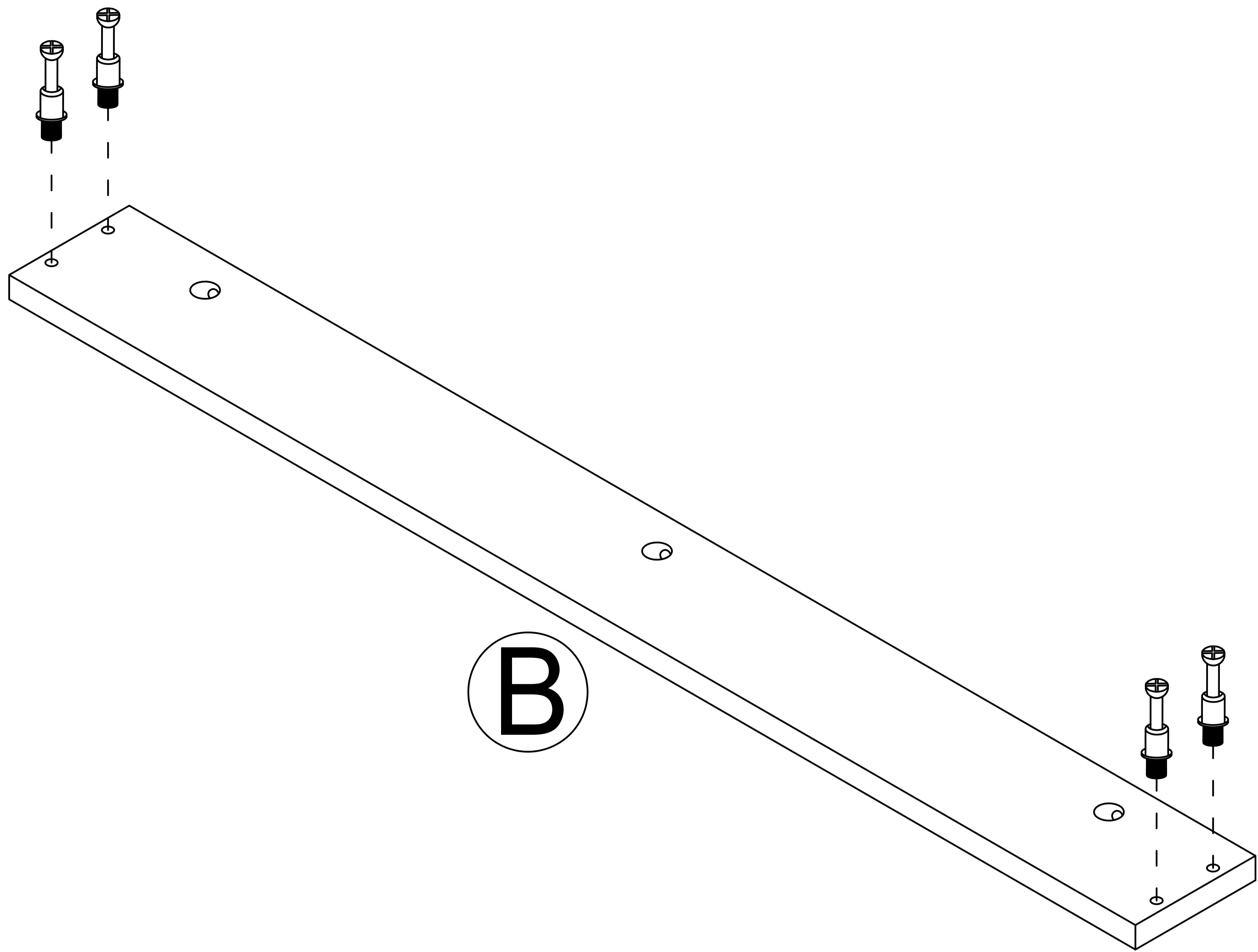
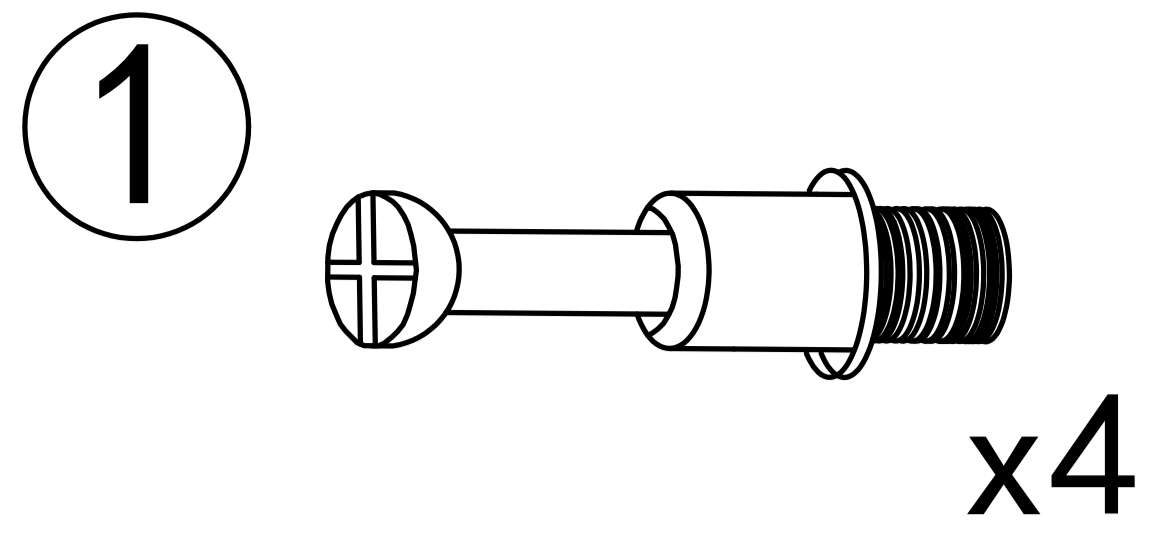
Use a screwdriver to lock in the direction of the "+" sign

Disassemble along the direction of "-" sign

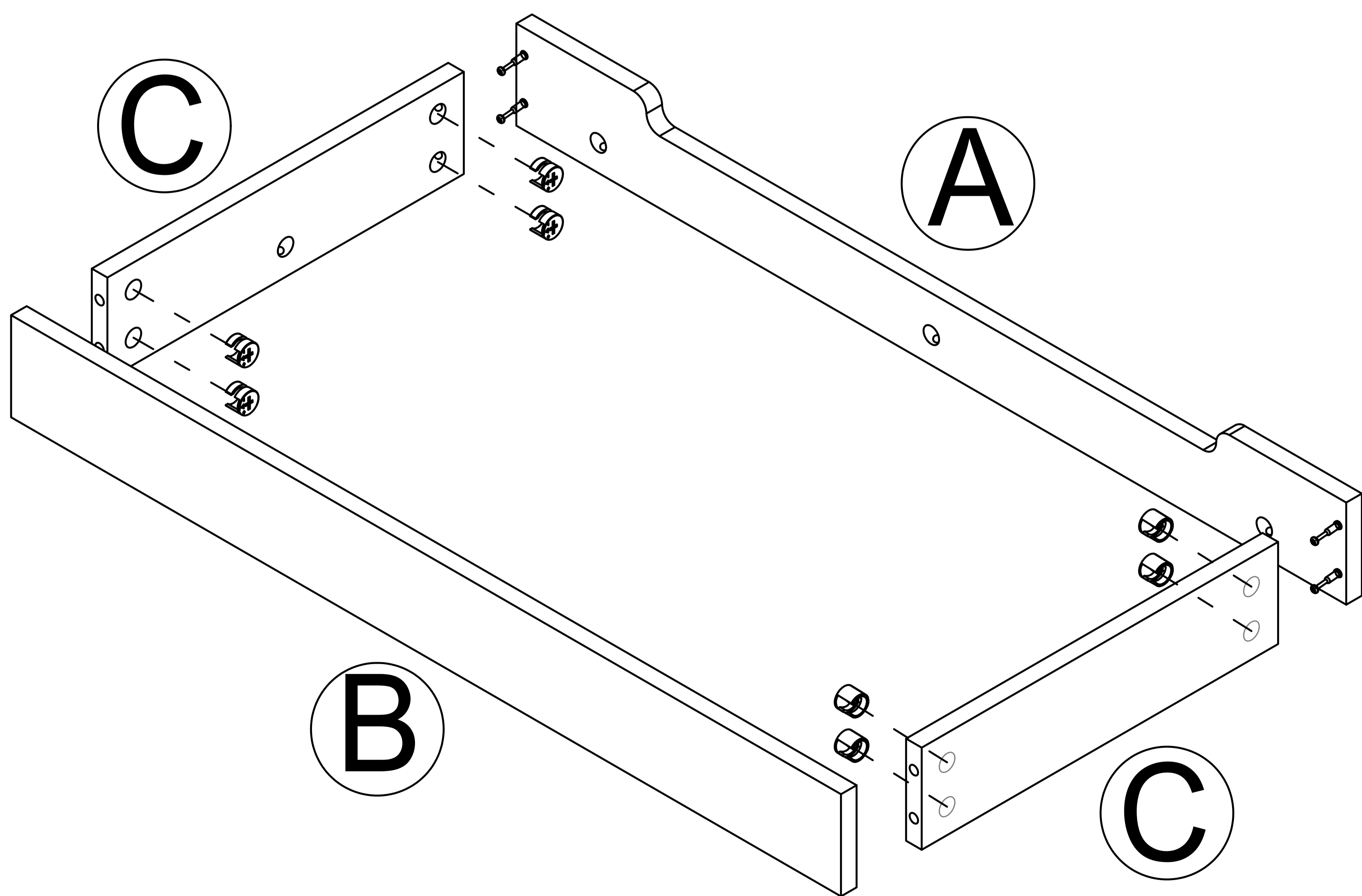
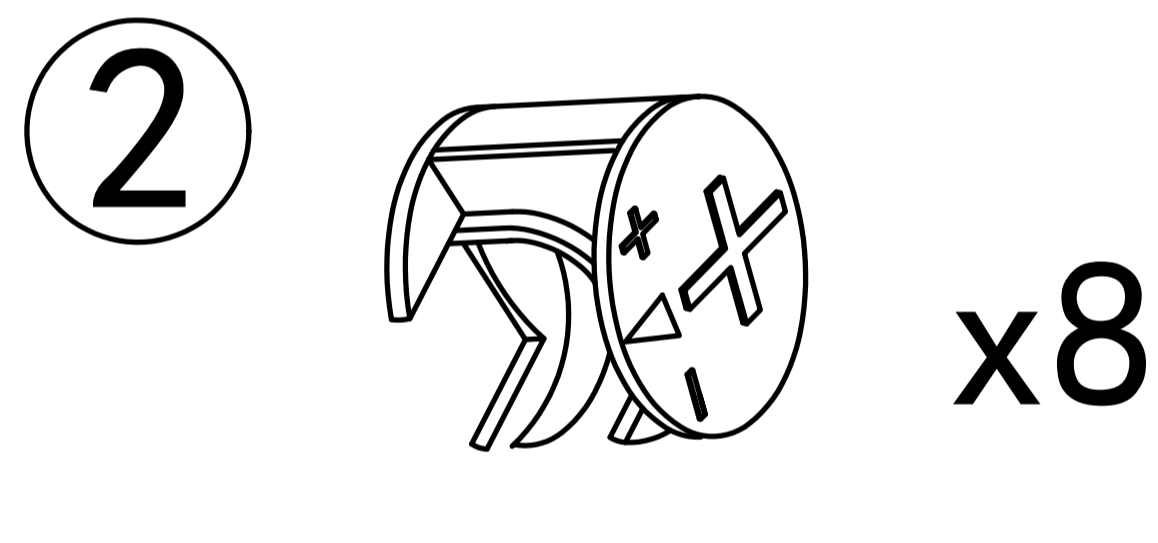
Step 1



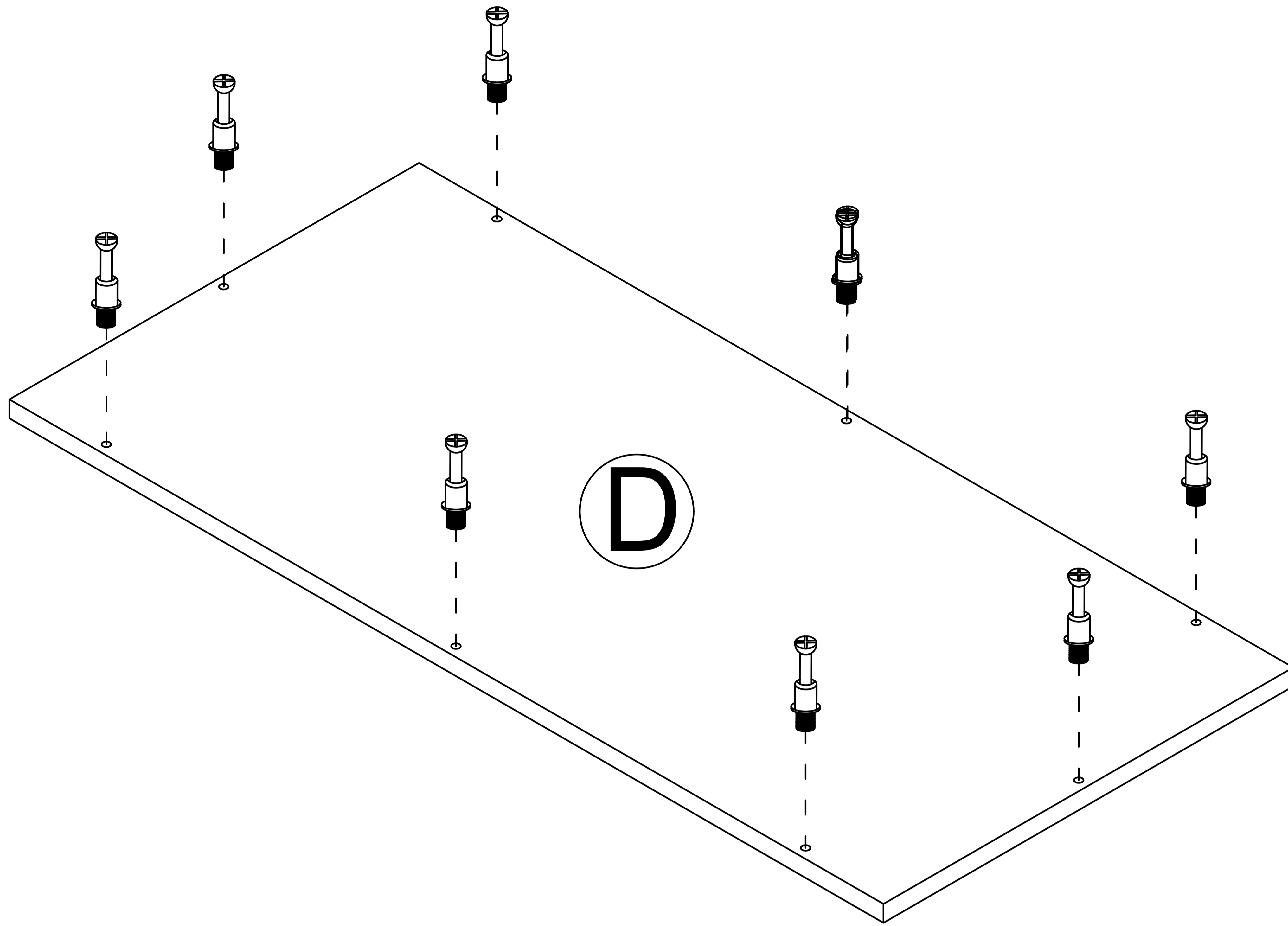
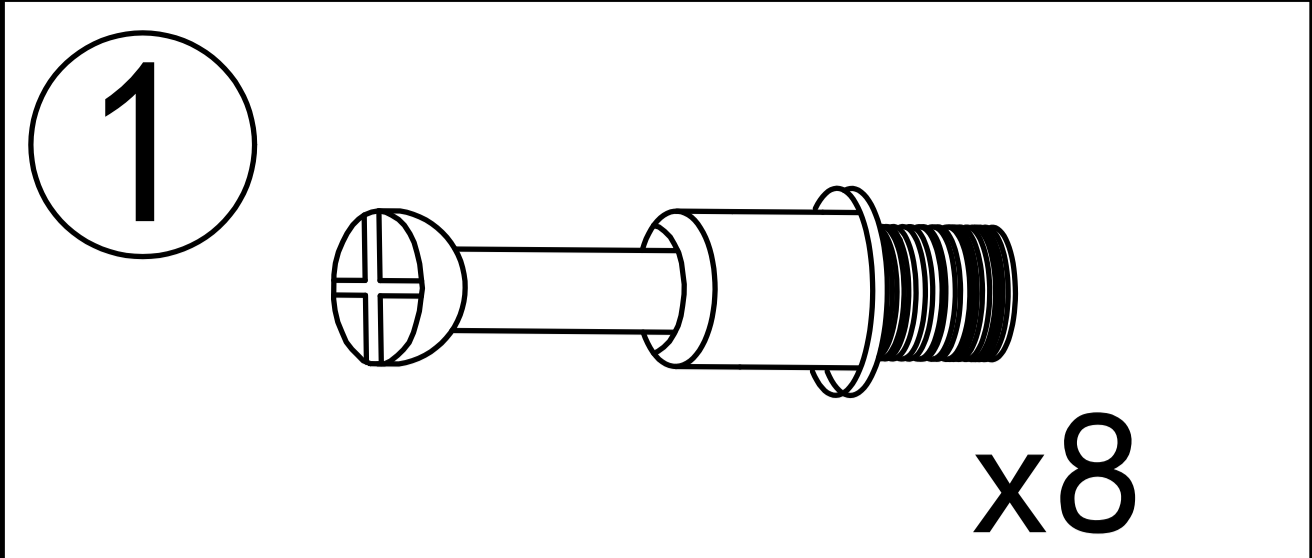
Step 2



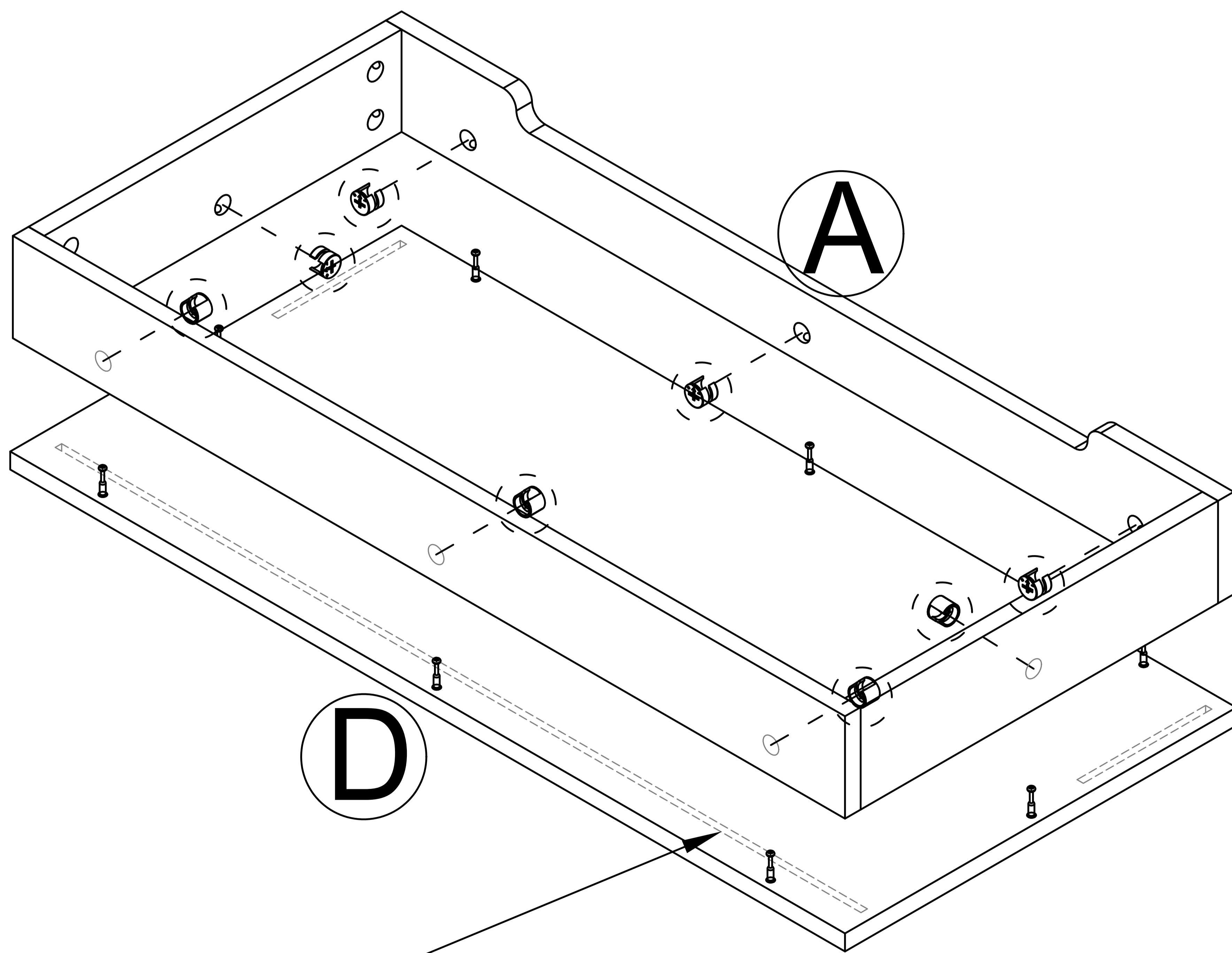
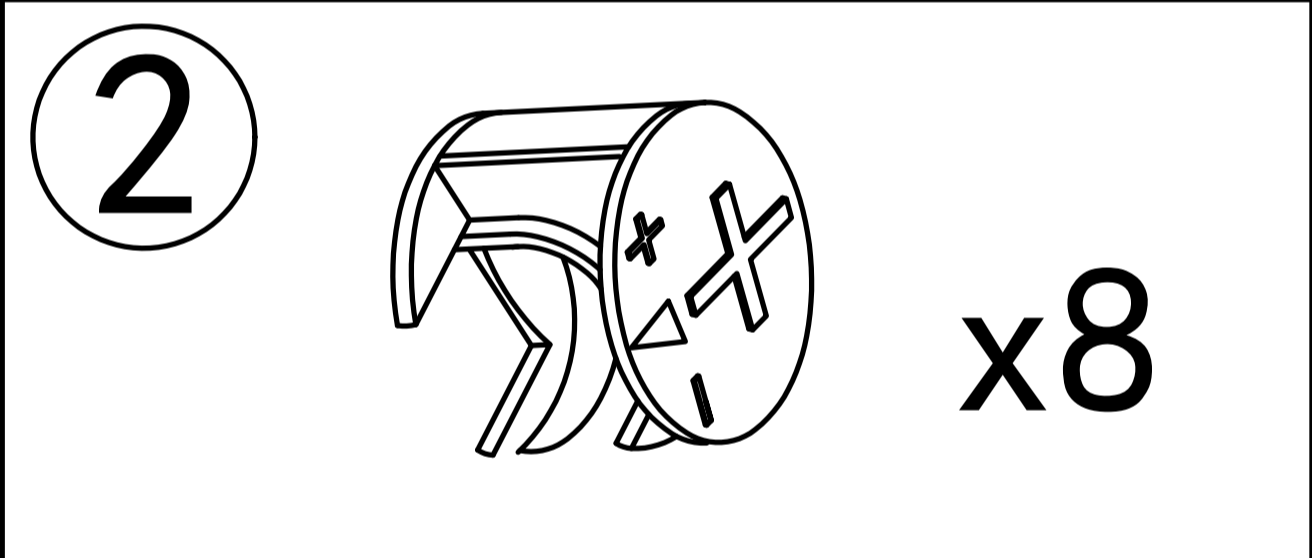
Step 3



Step 4



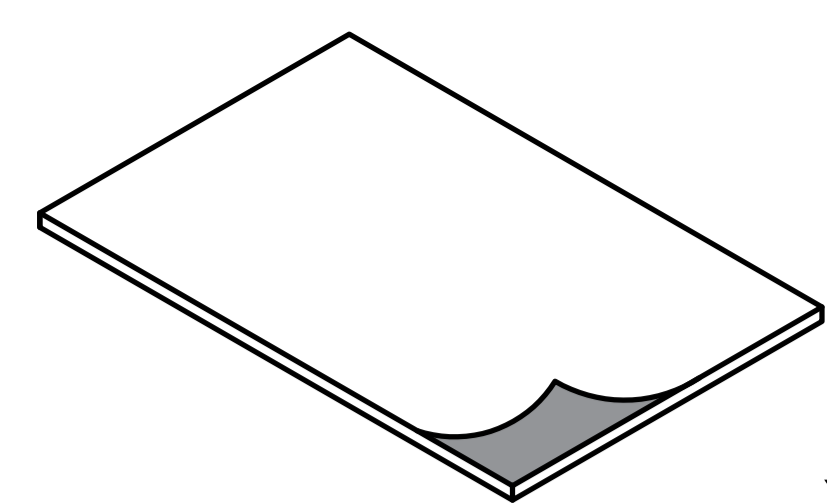
Step 5



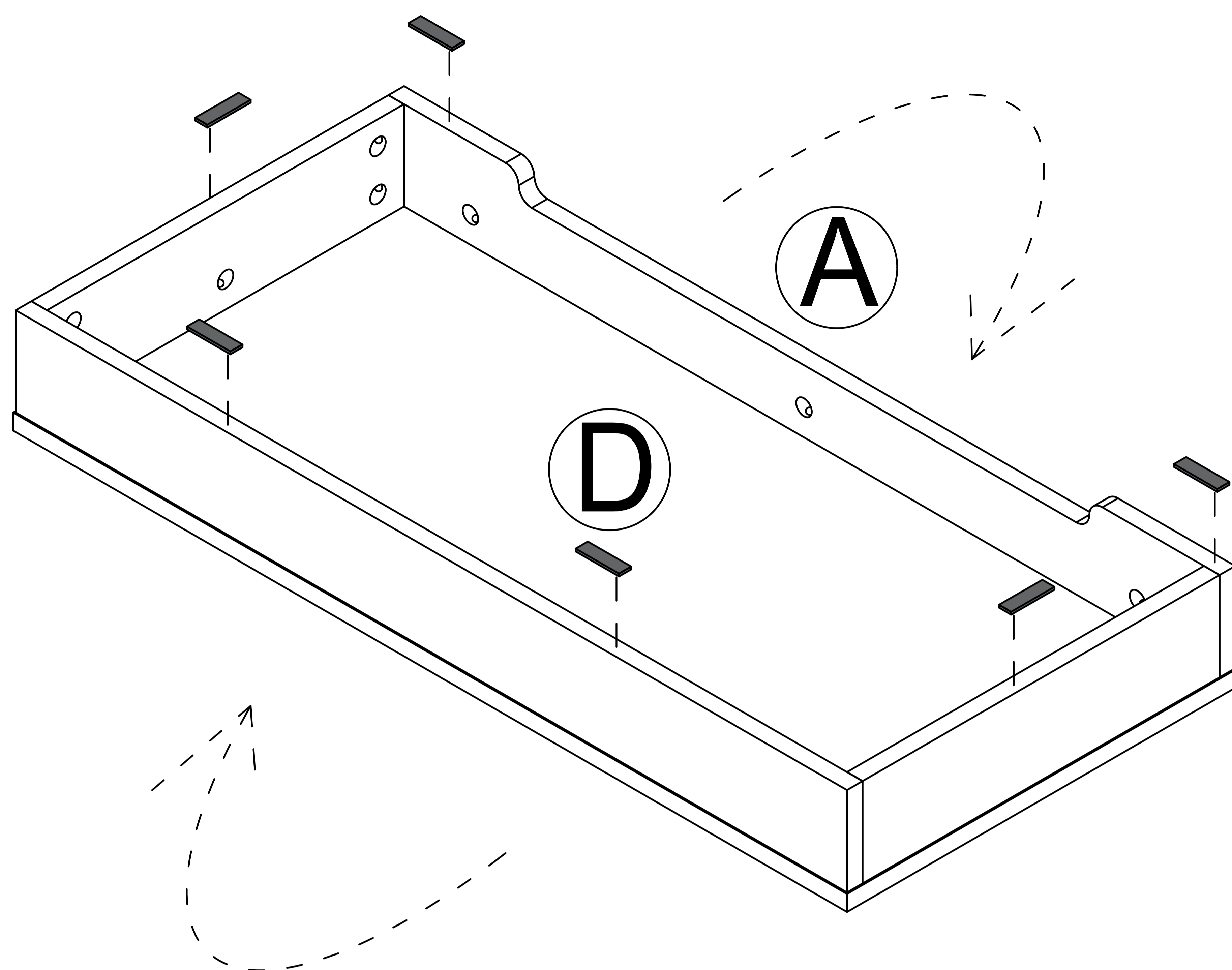
Please note the direction of the slot.

Step 6

3



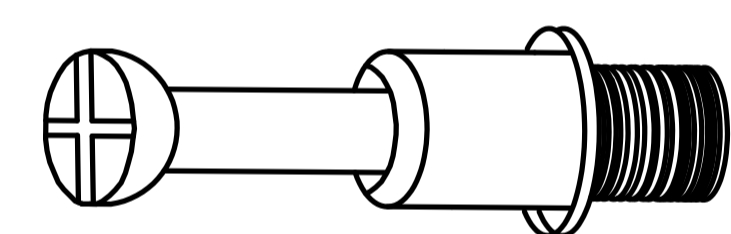
x6



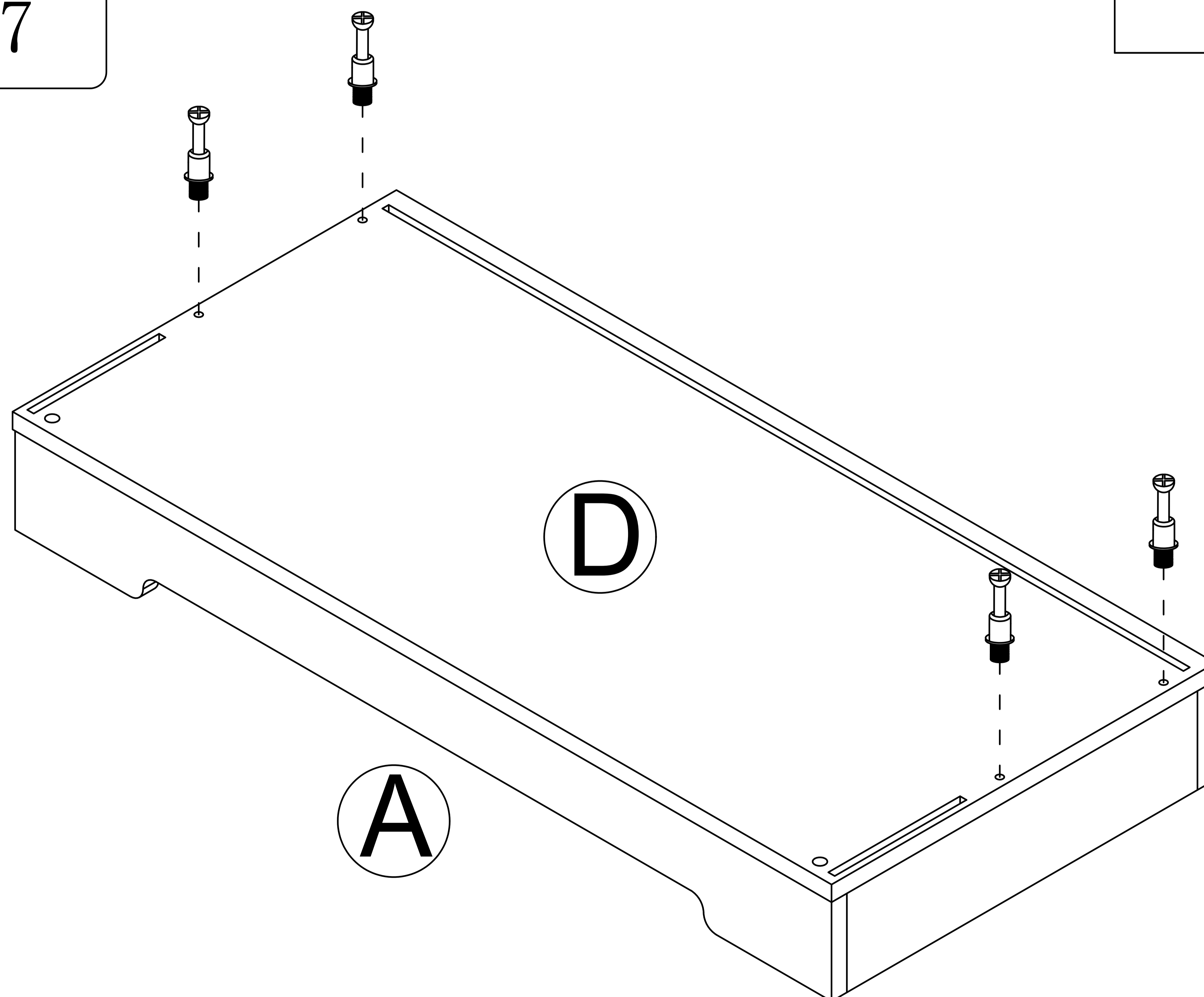
Tear off release paper and stick the black foot pad on the board

Step 7

1

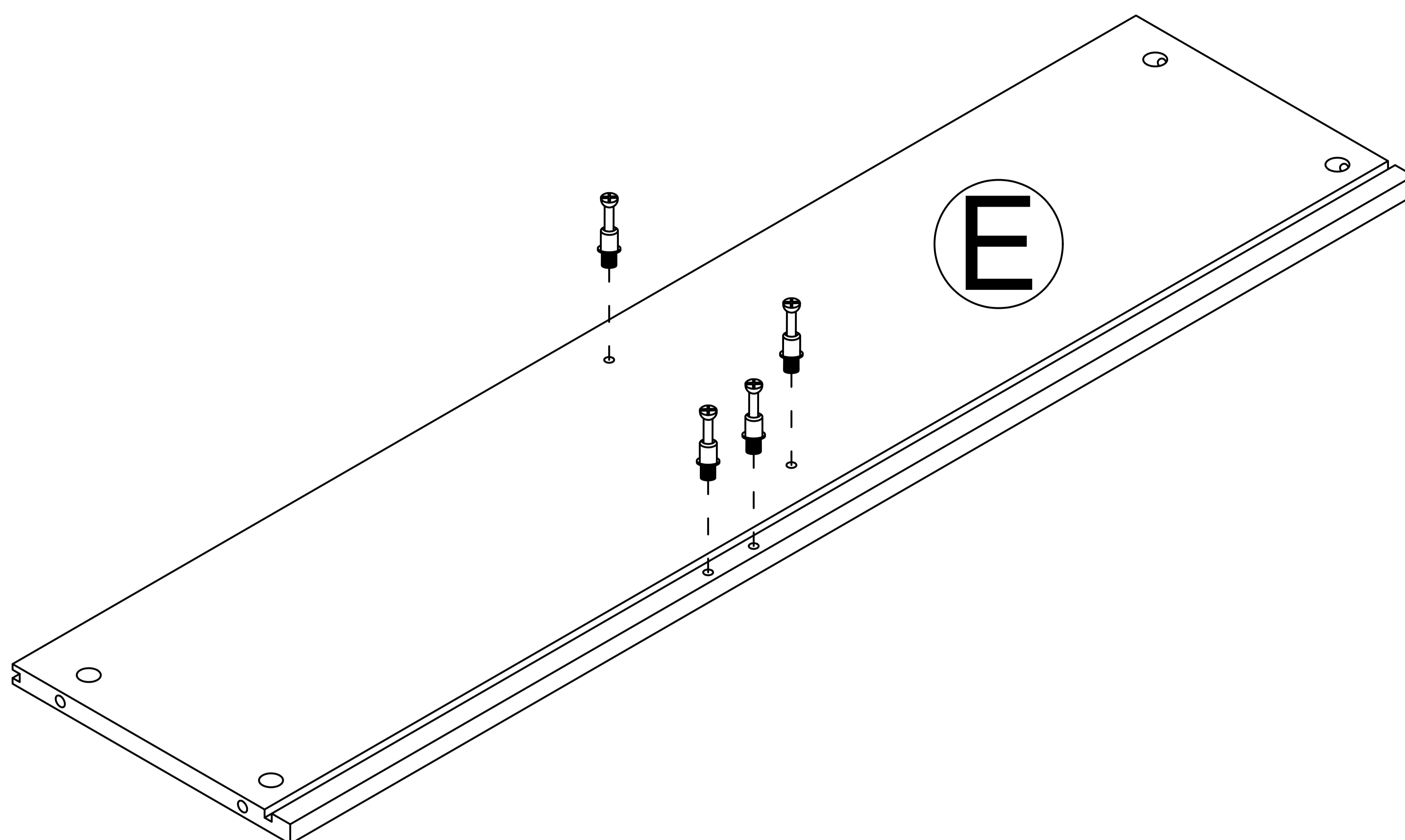
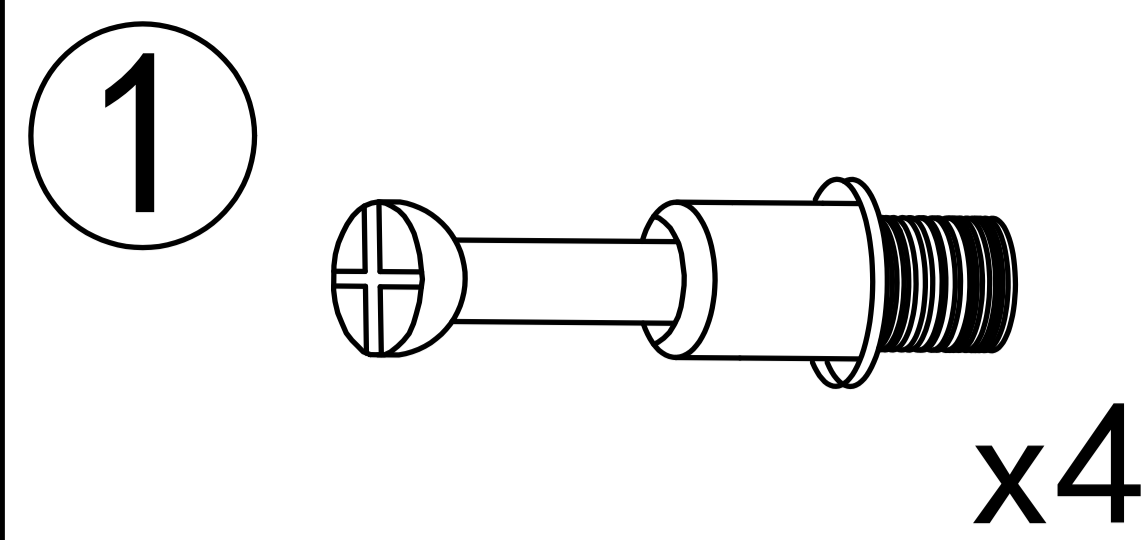


x4

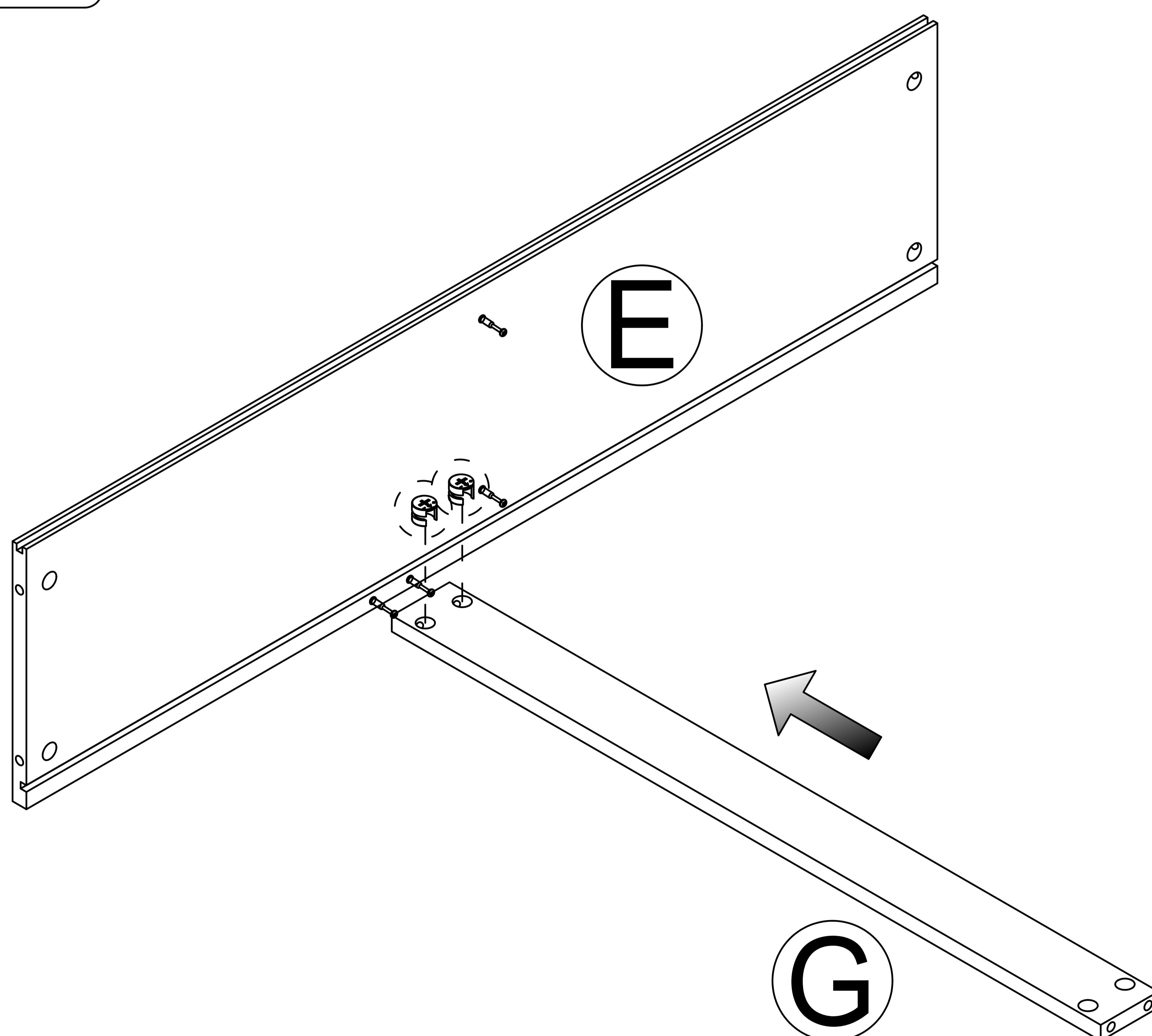
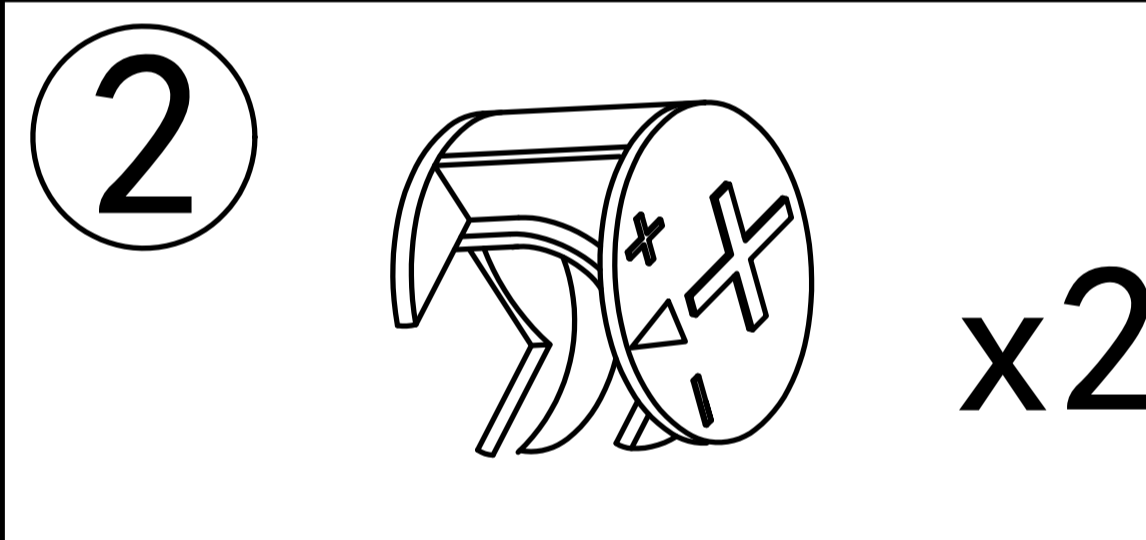


7

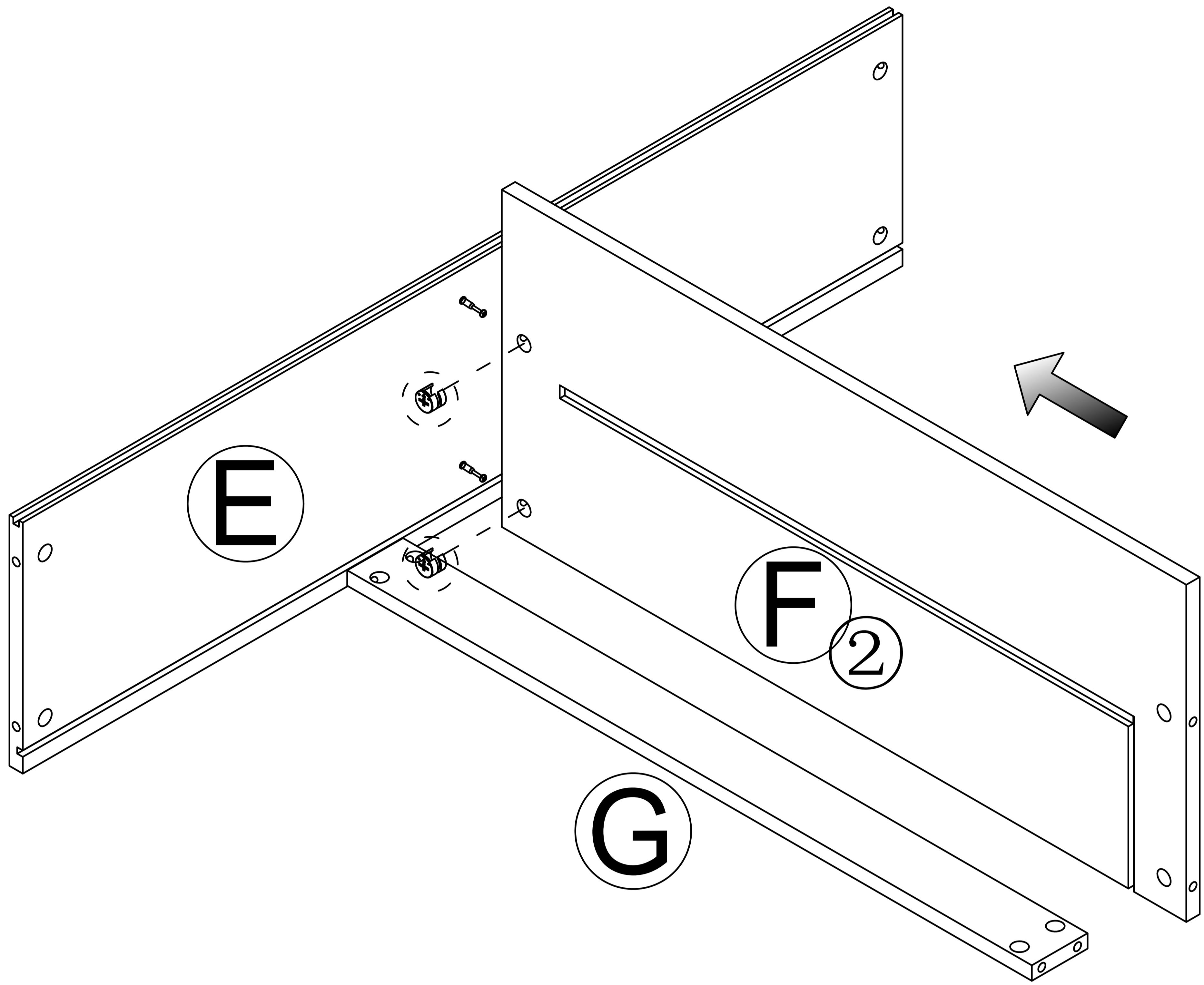
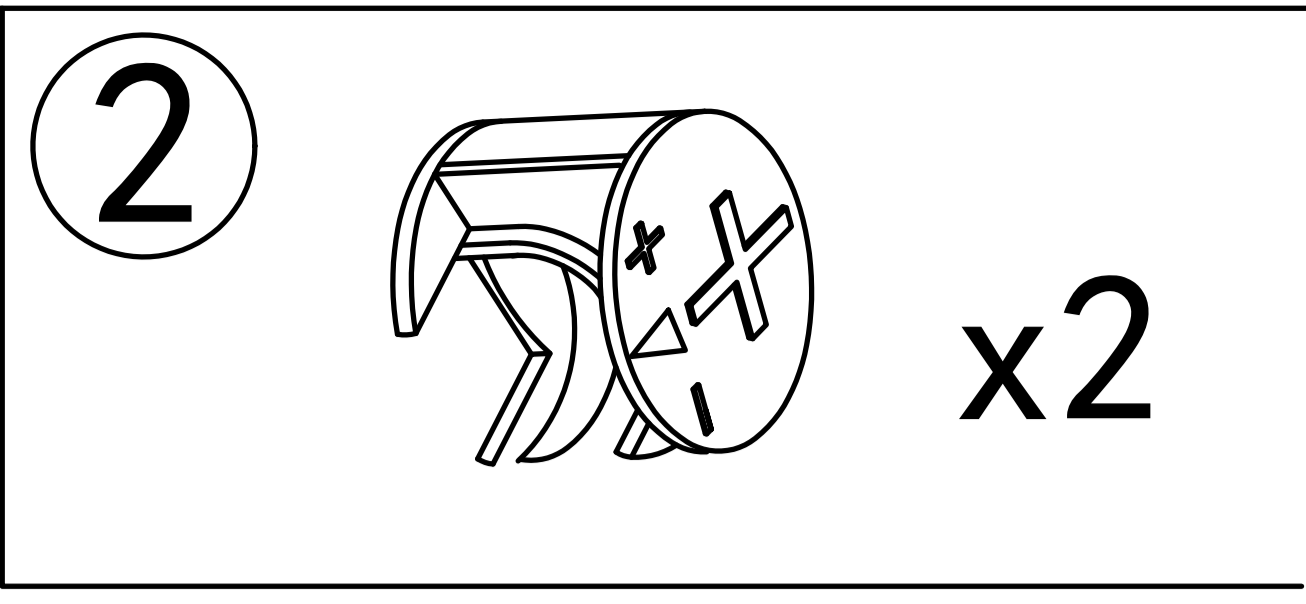
Step 8



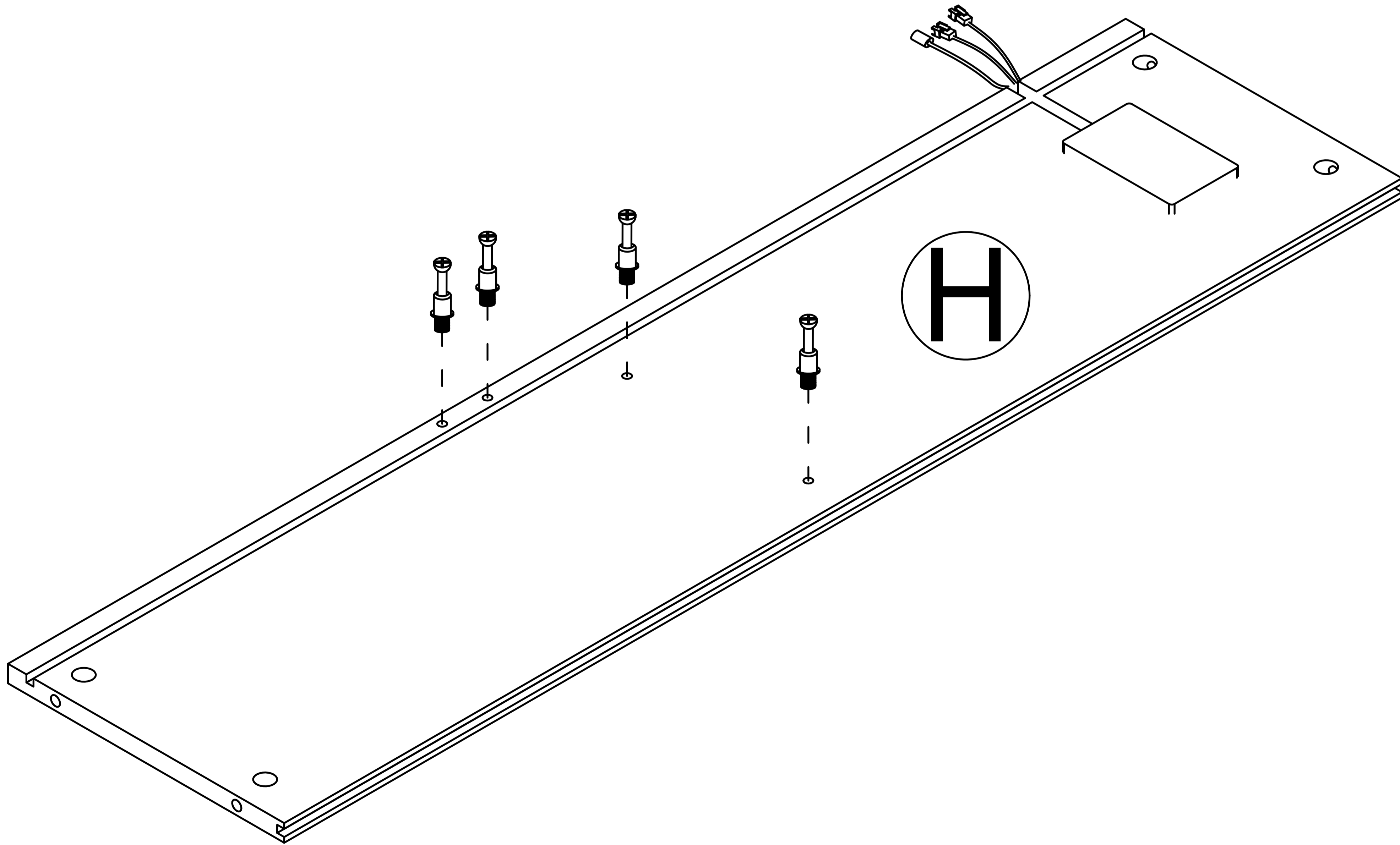
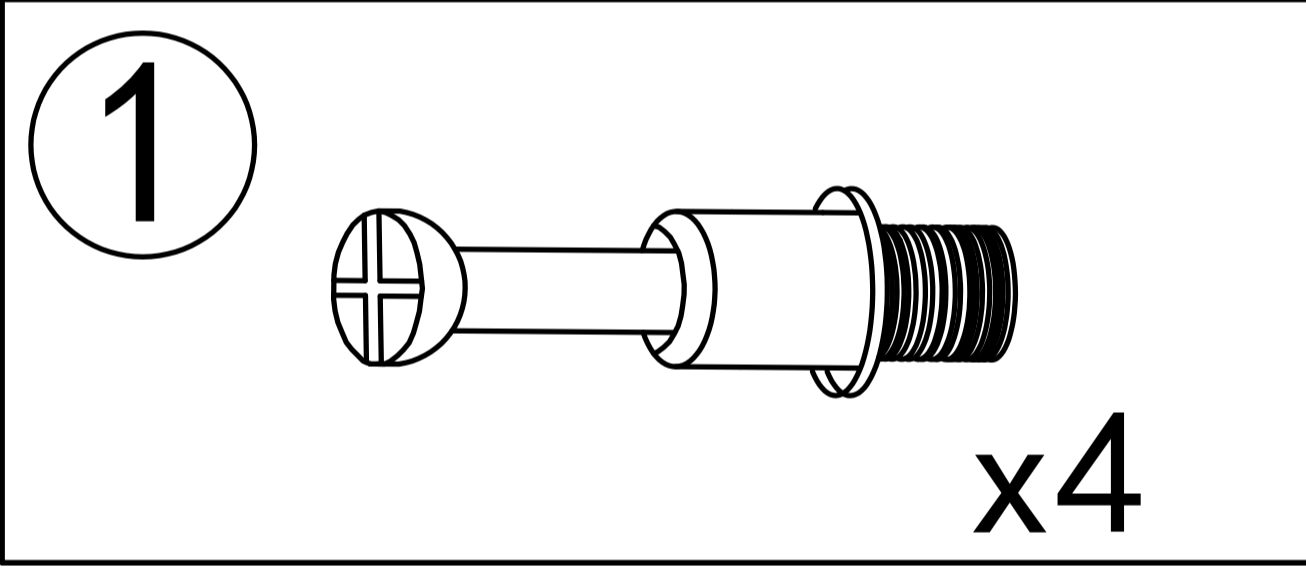
Step 9



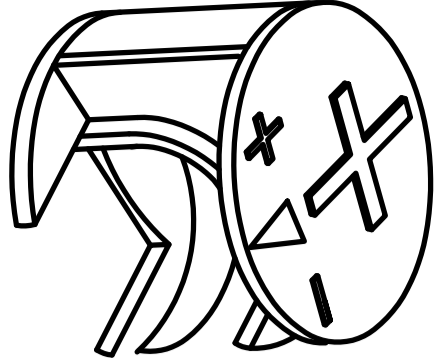
Step 10

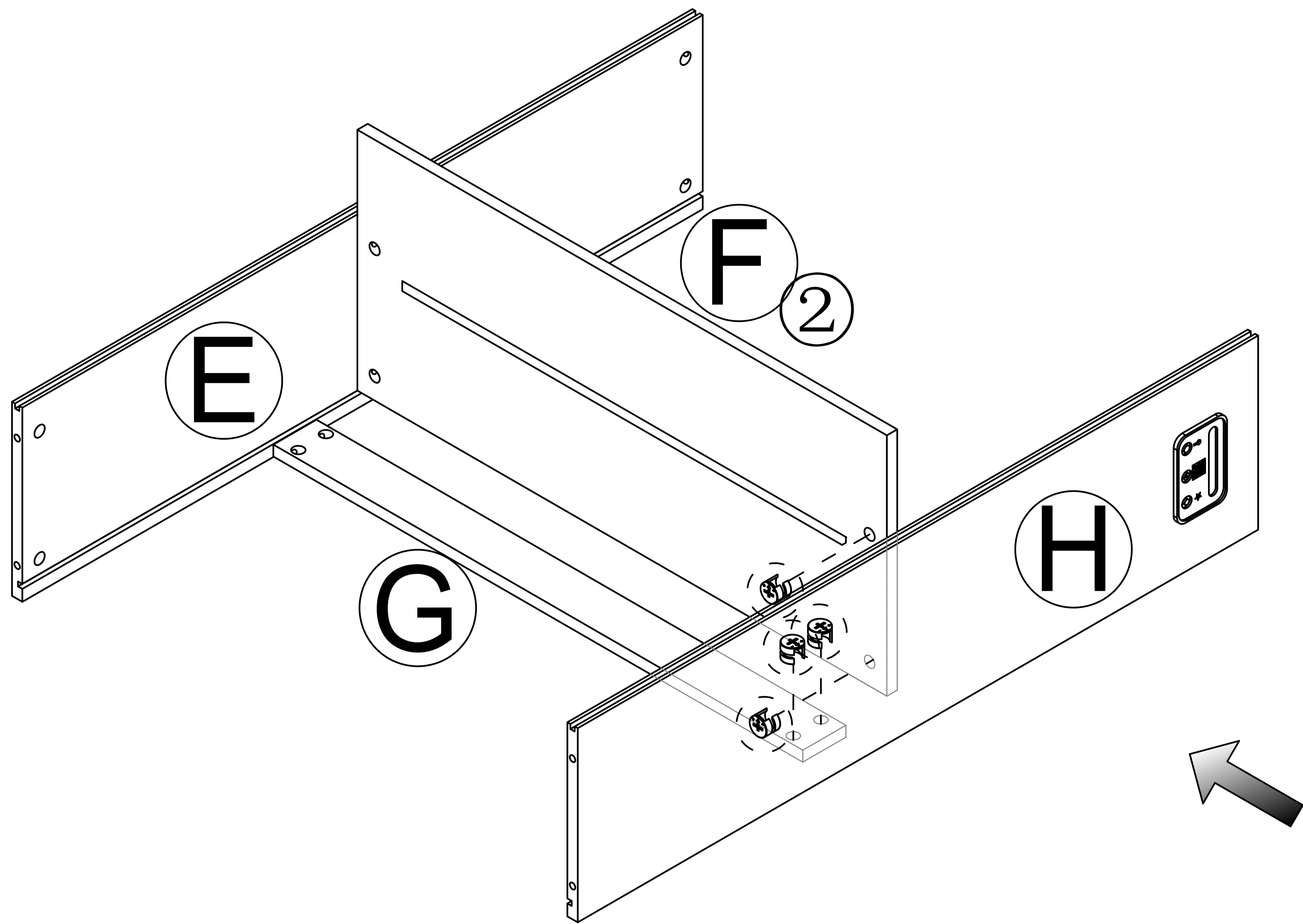


Step 11

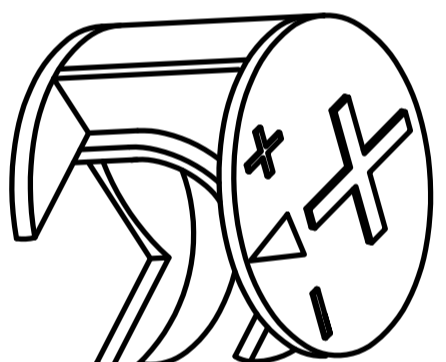


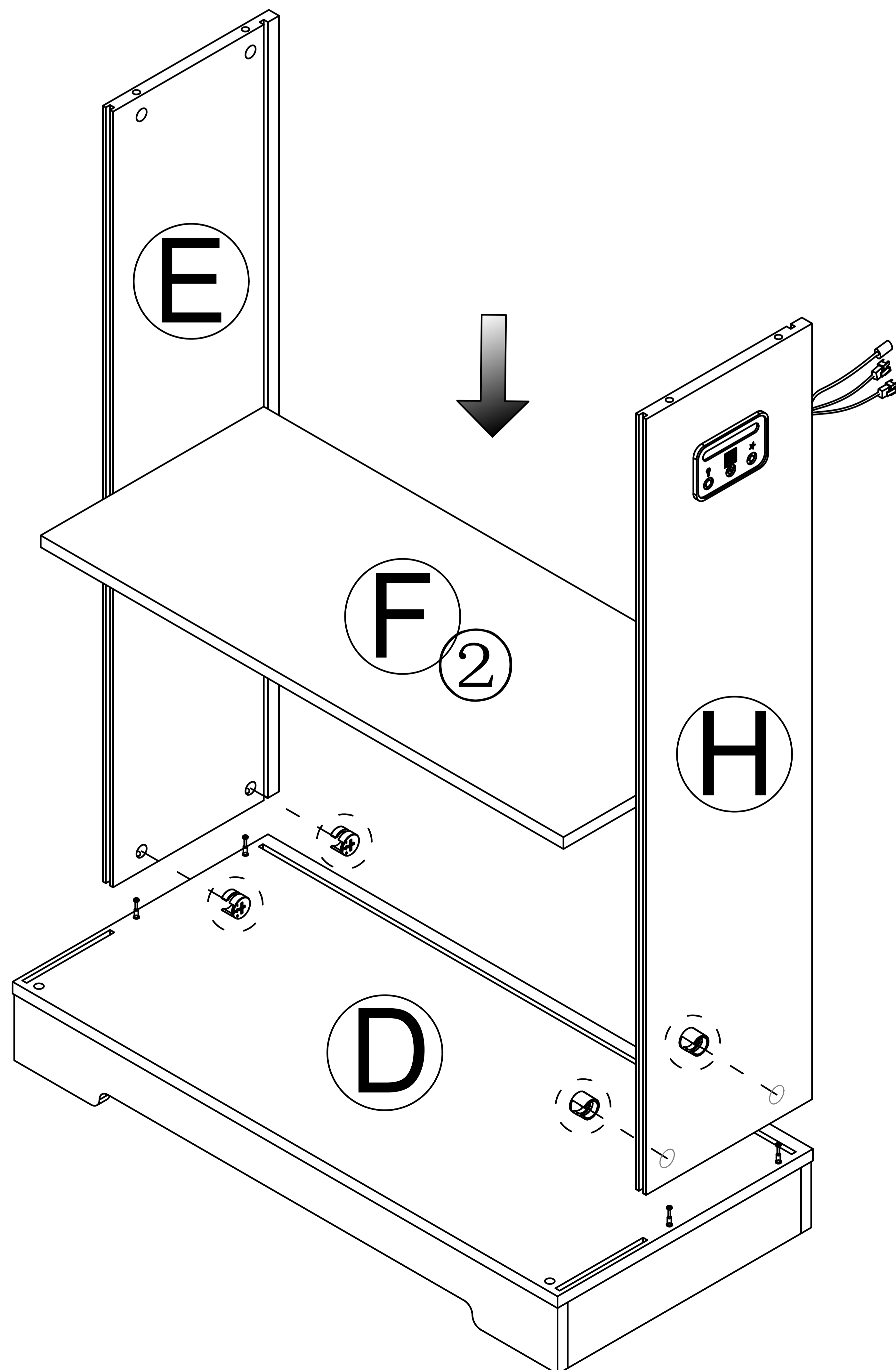
Step 12

2  x4

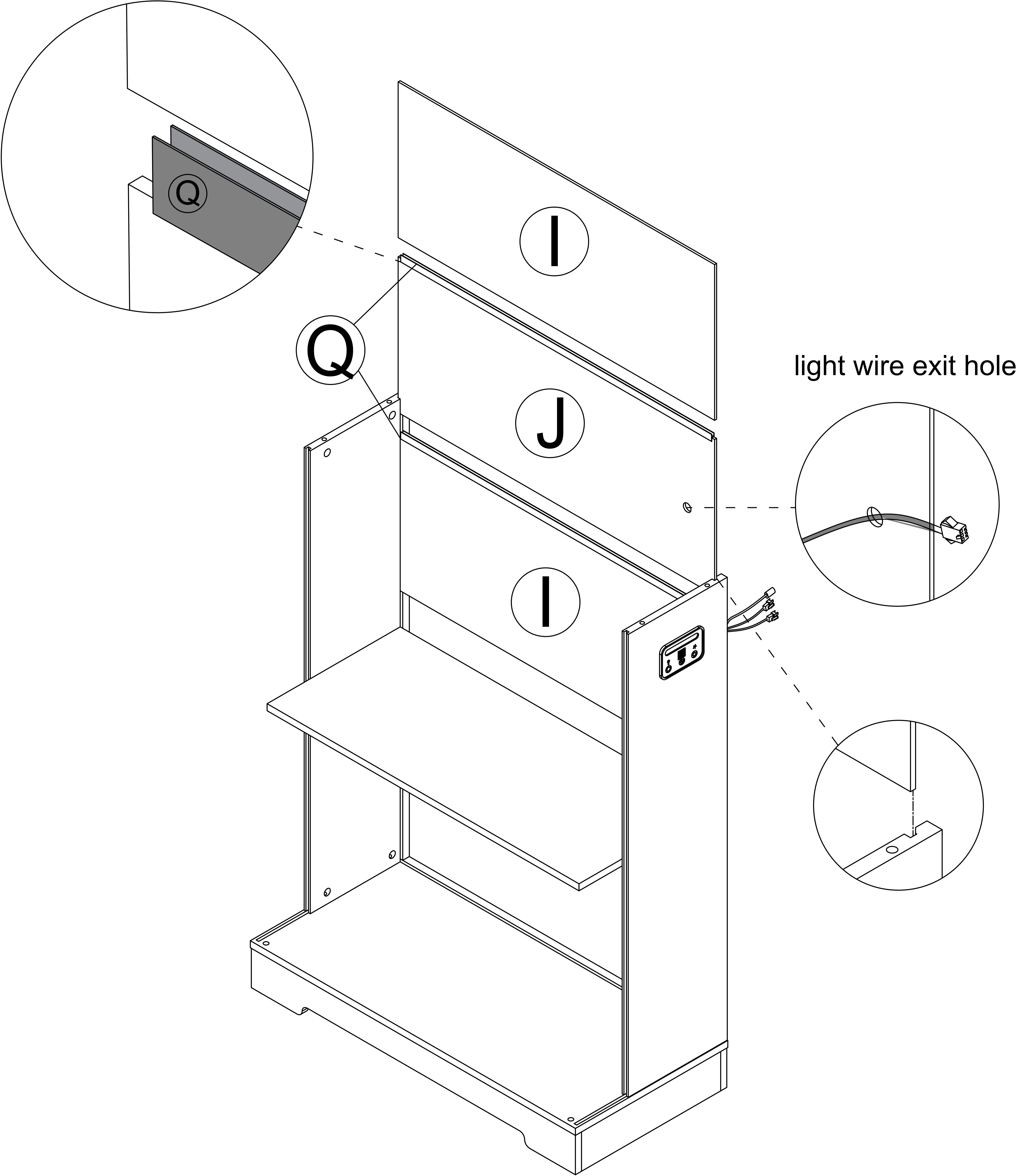


Step 13

2  x4

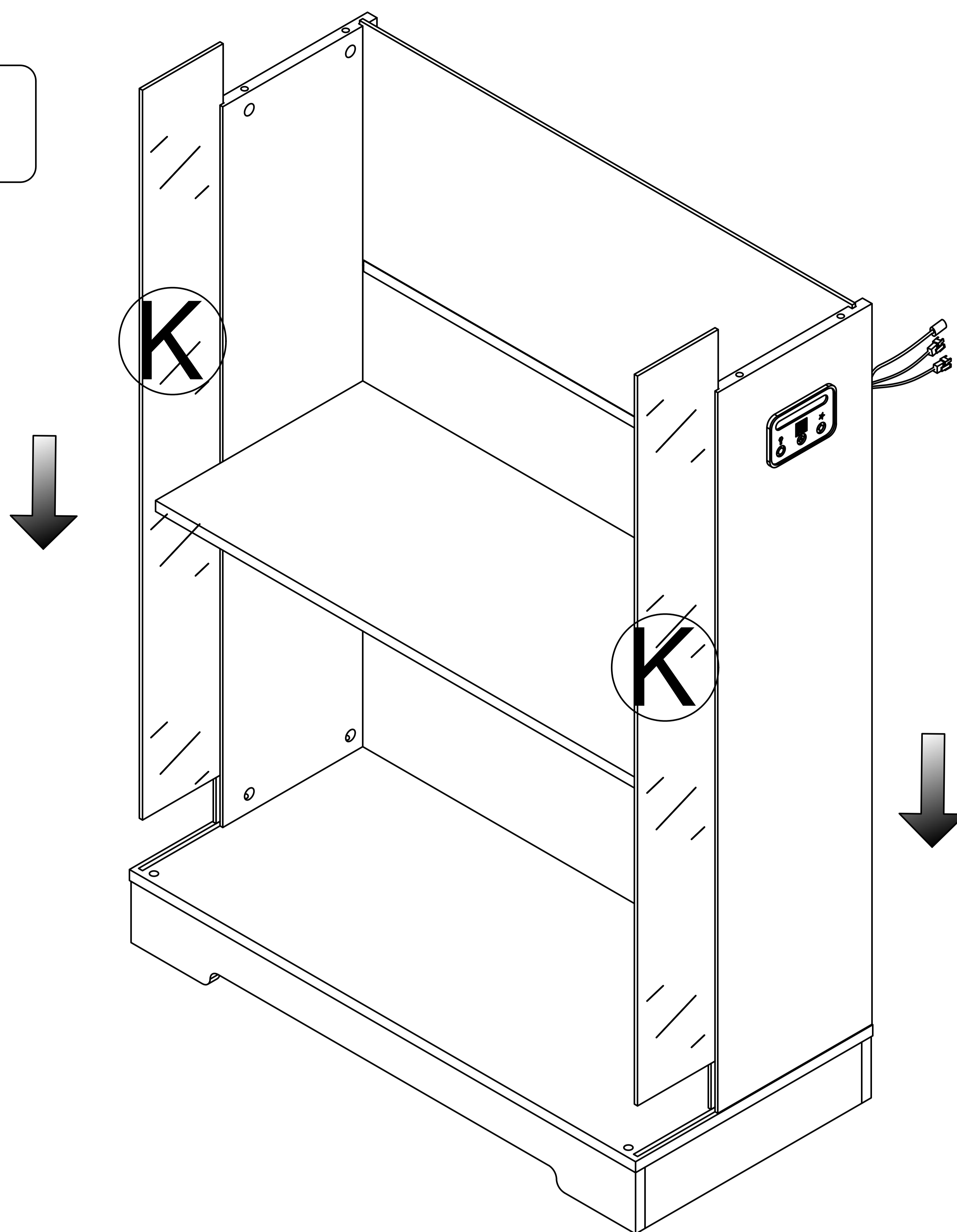


Step 14

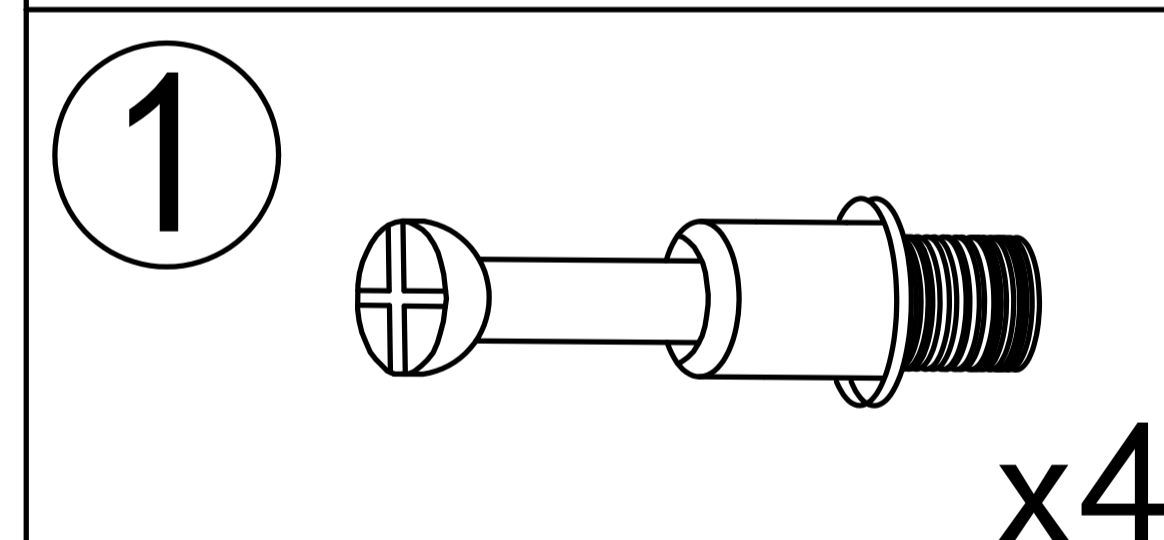
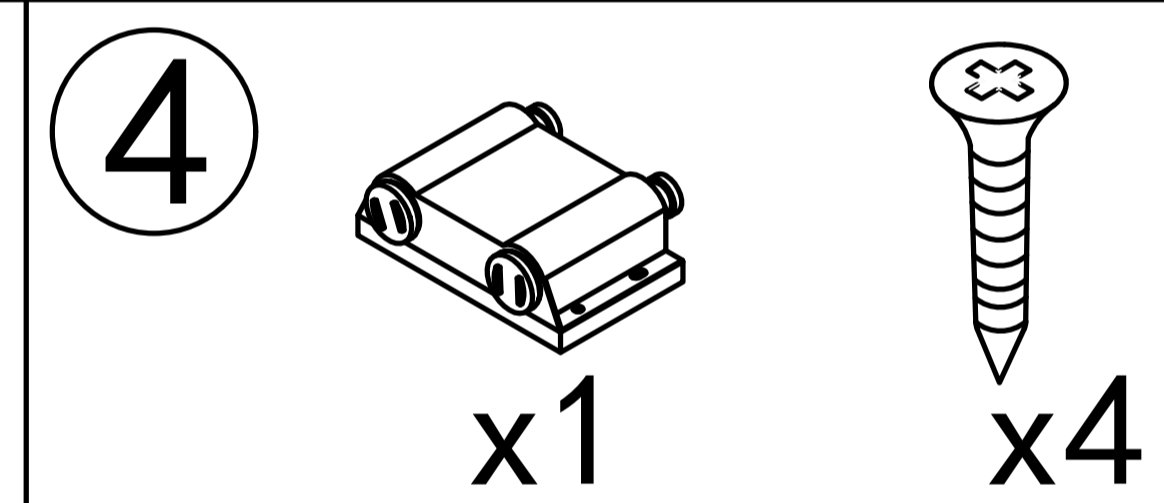
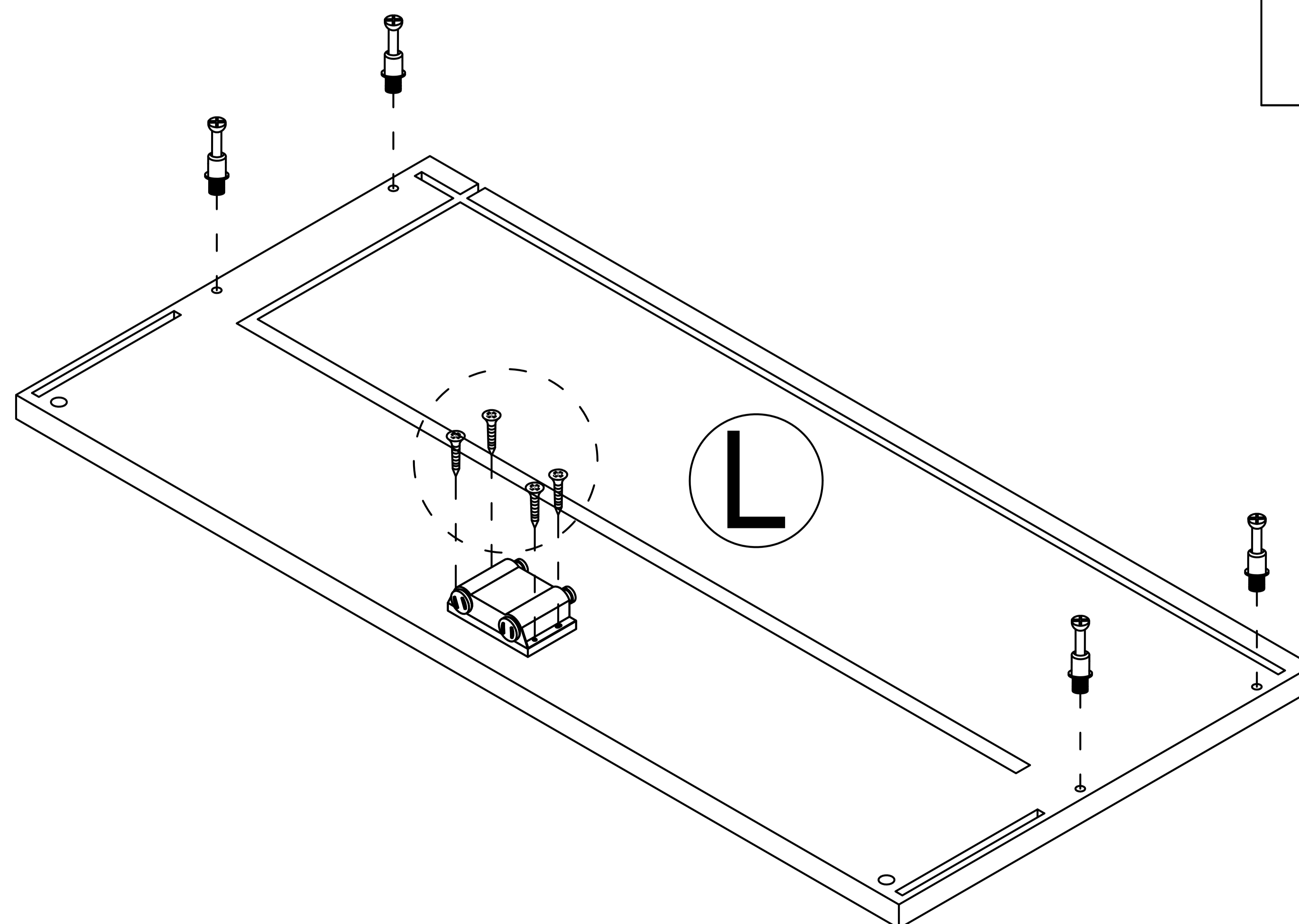


Pay attention to the order.

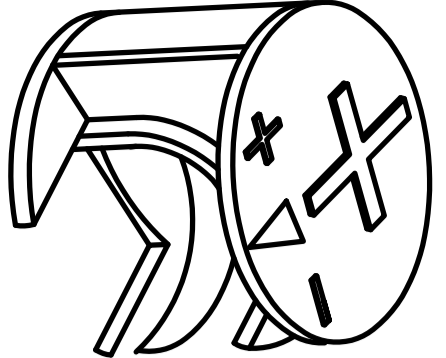
Step 15

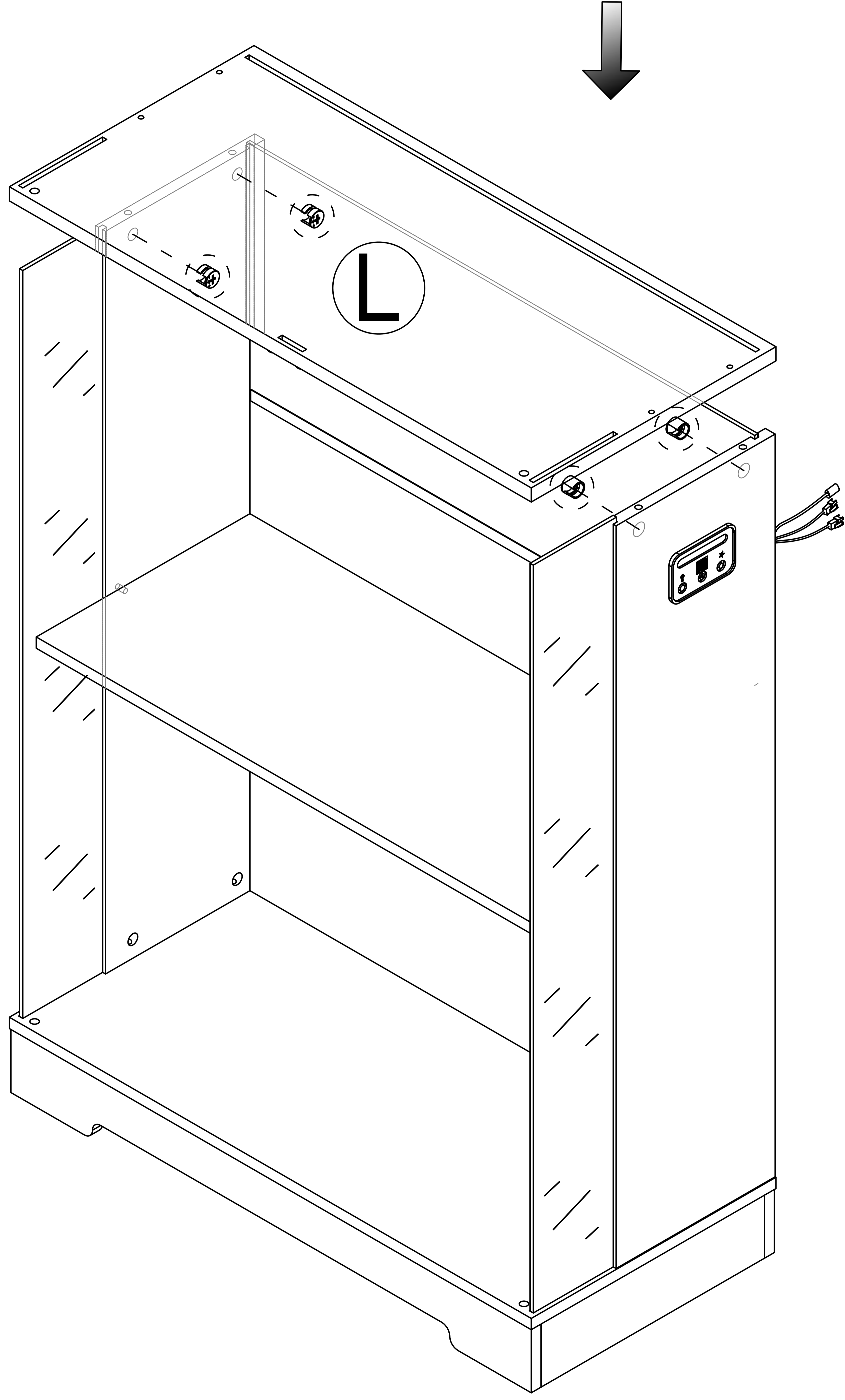


Step 16

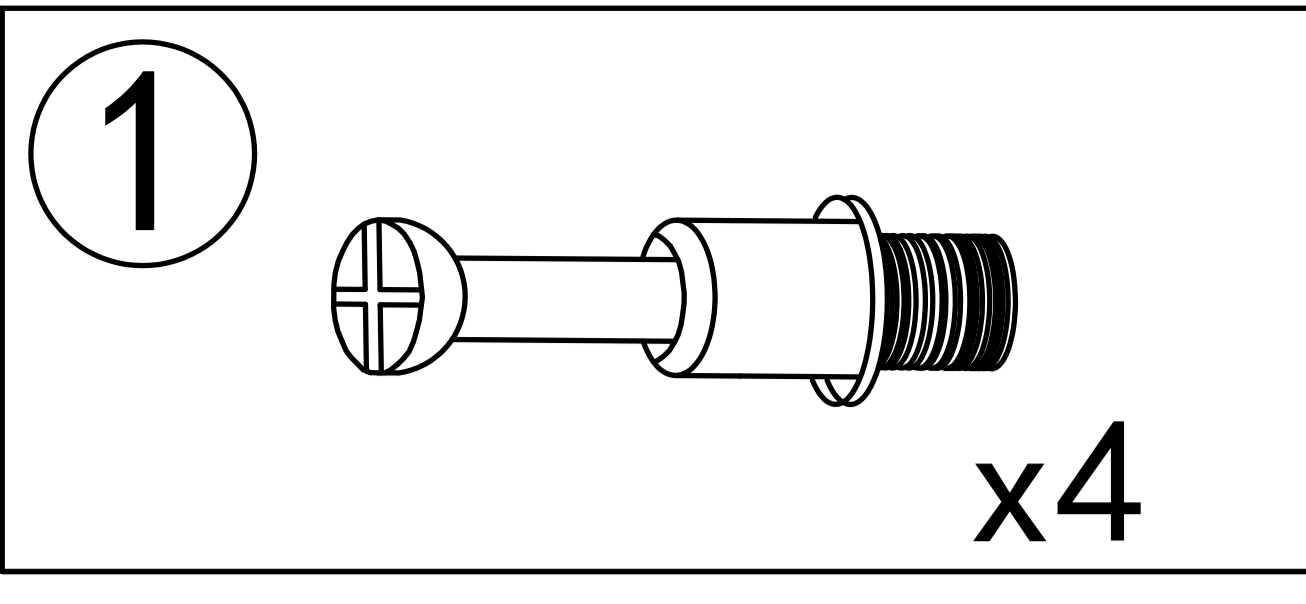
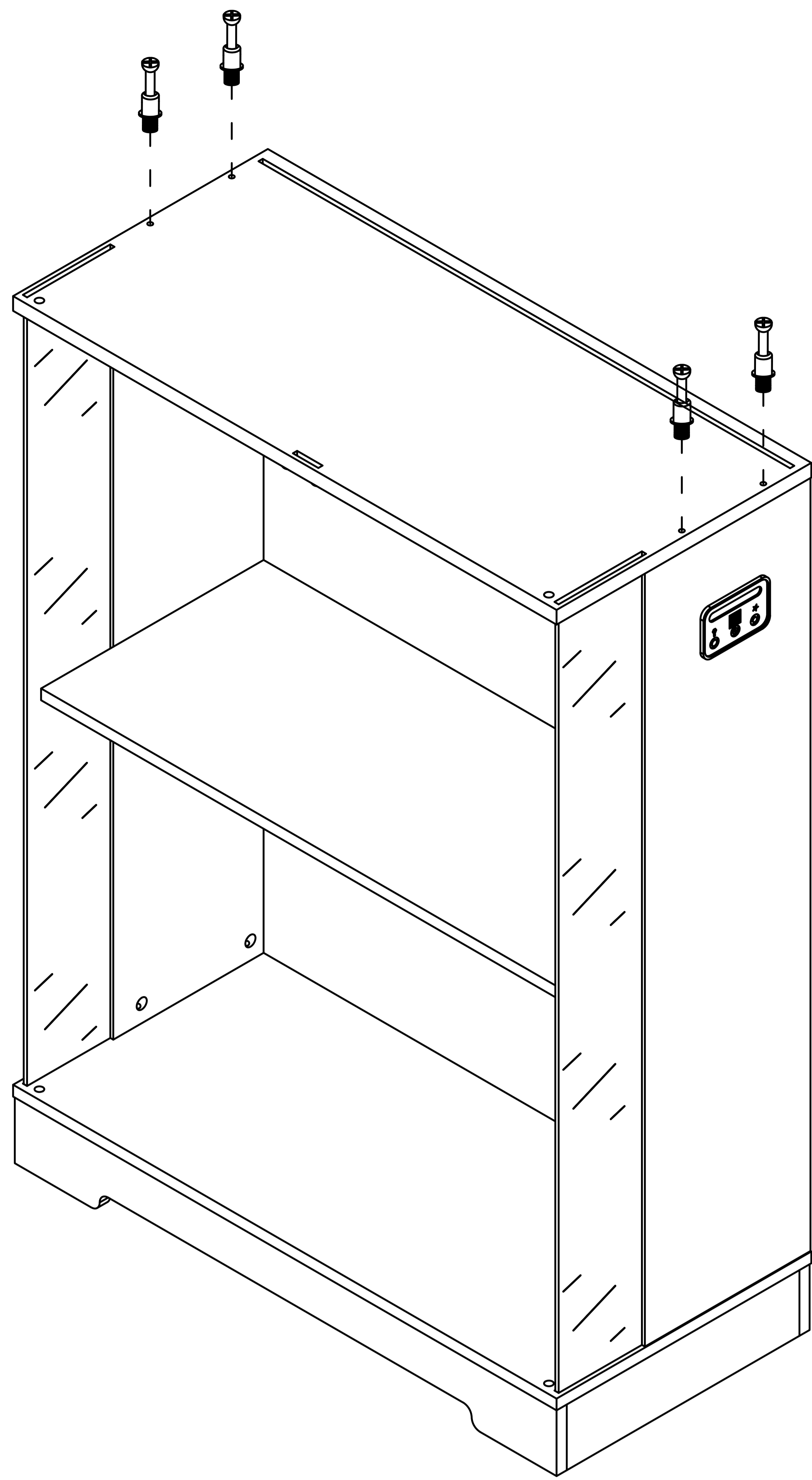


Step 17

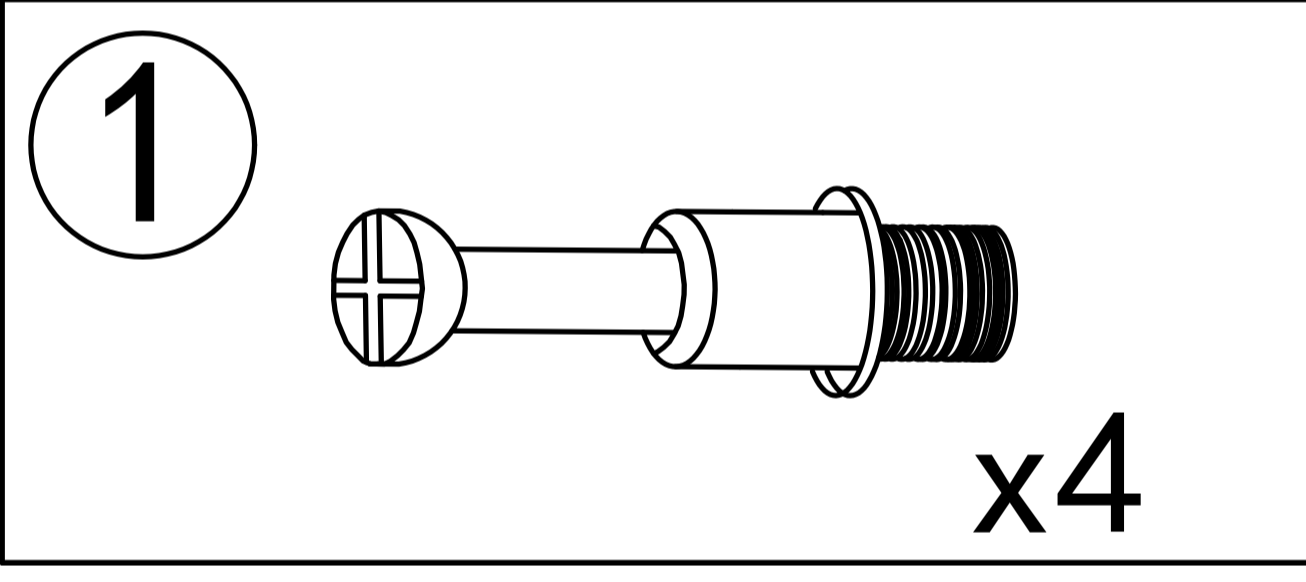
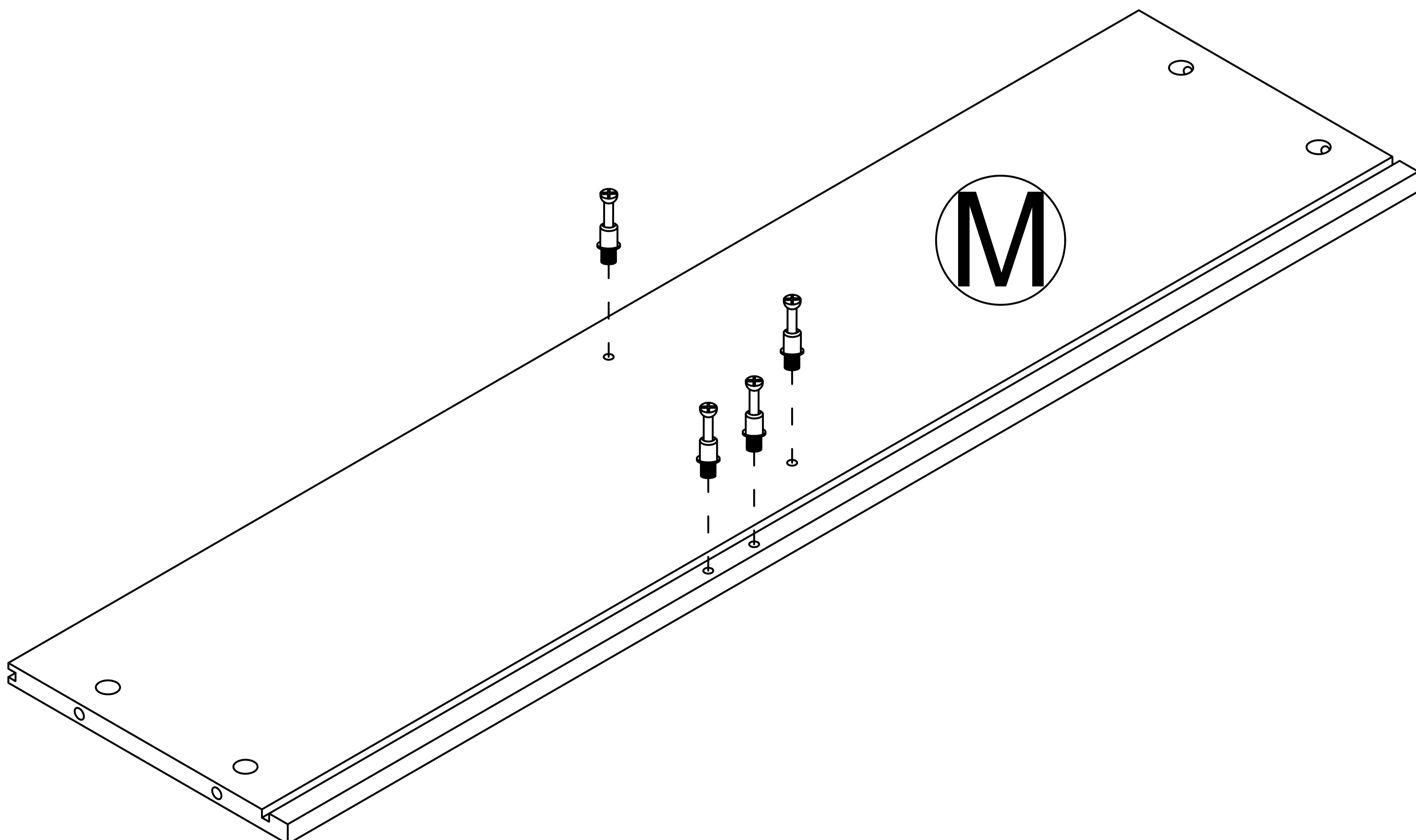
2  x4



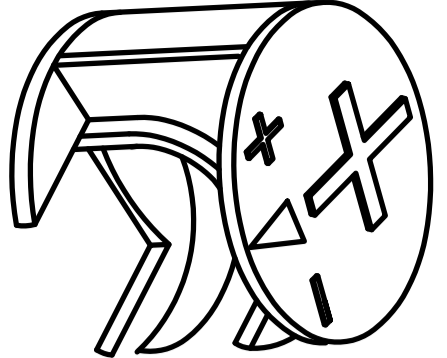
Step 18

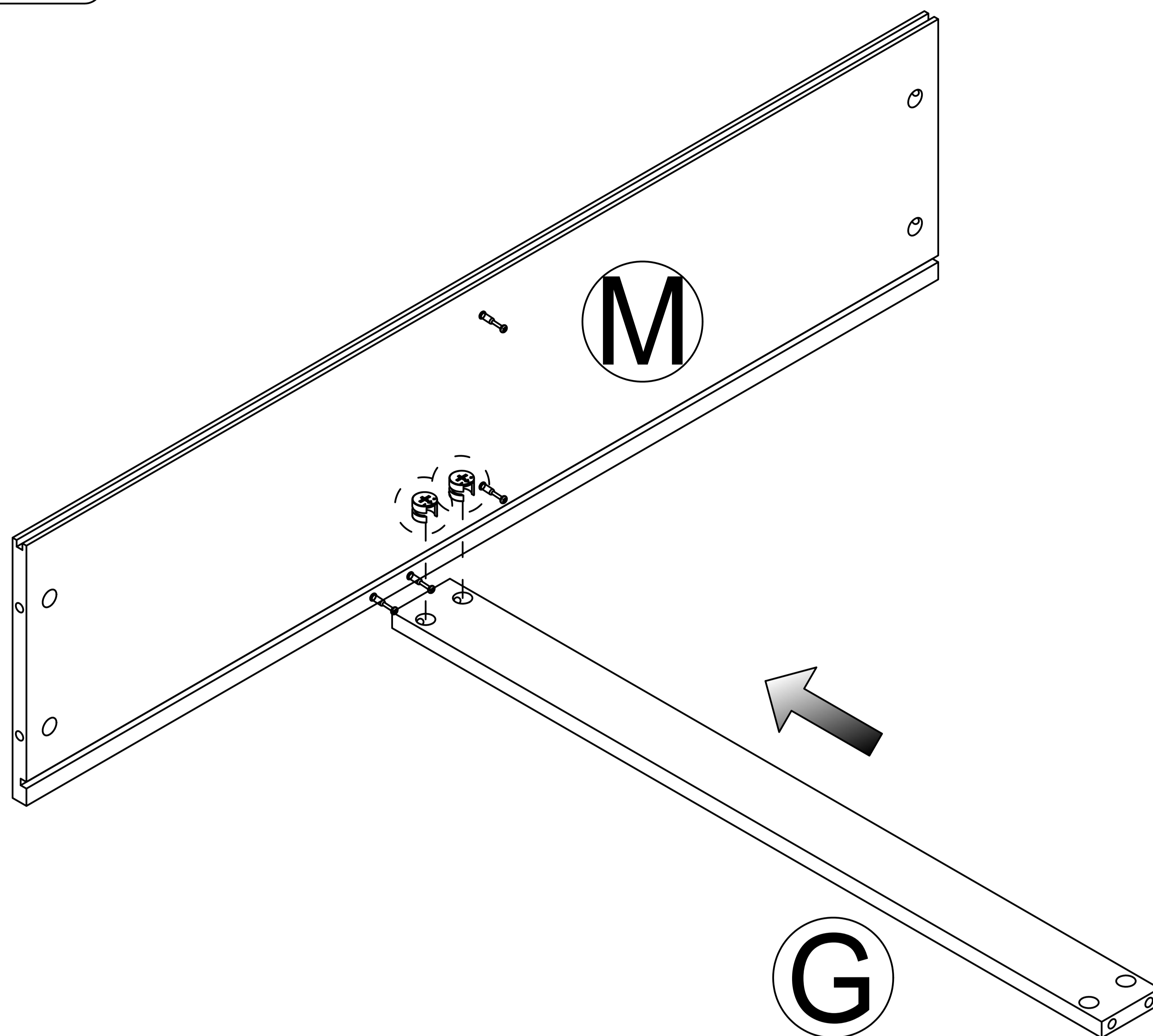


Step 19

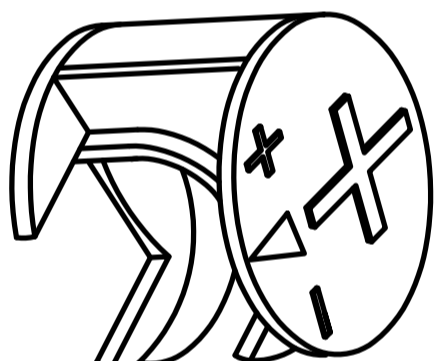


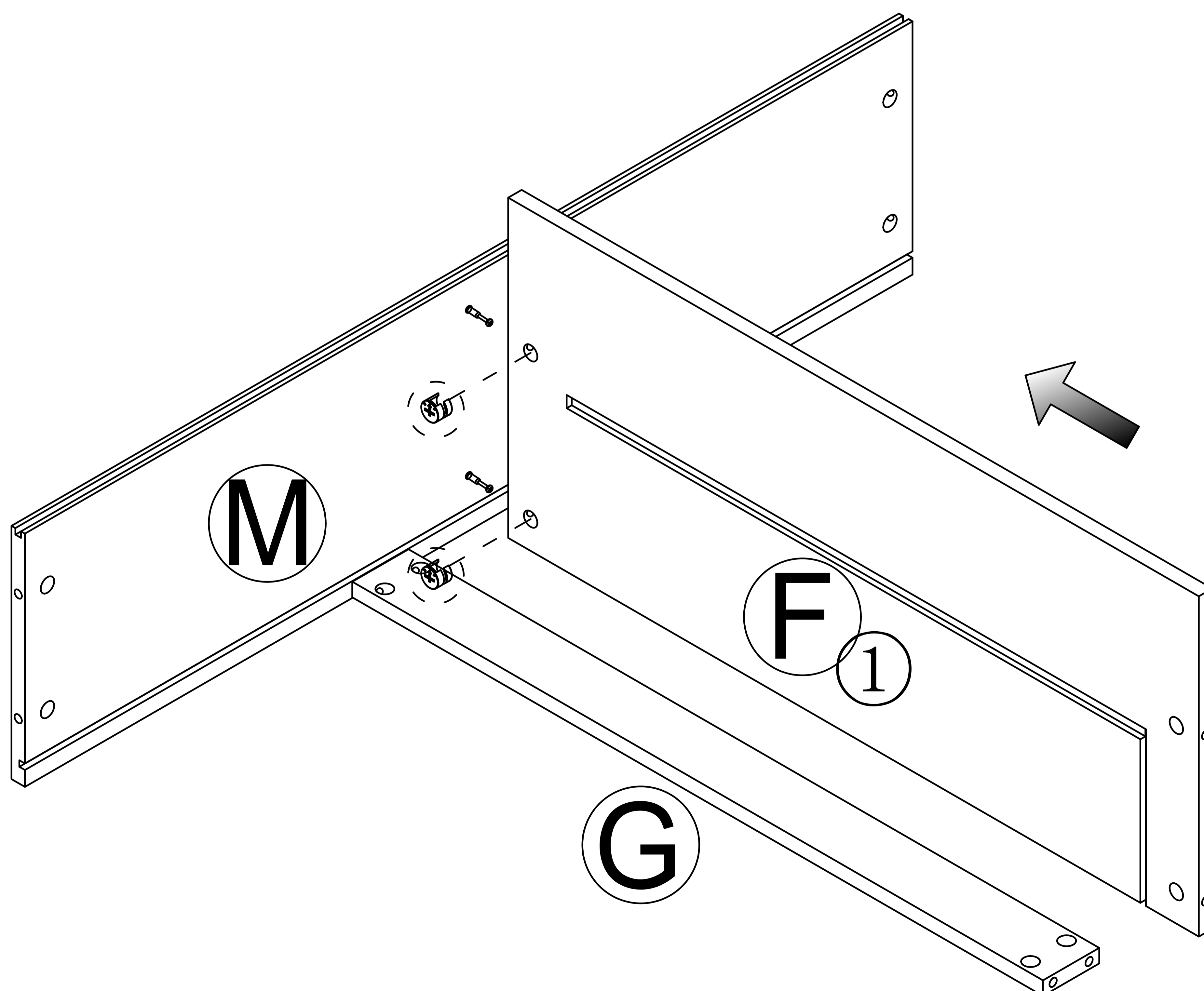
Step 20

2  x2

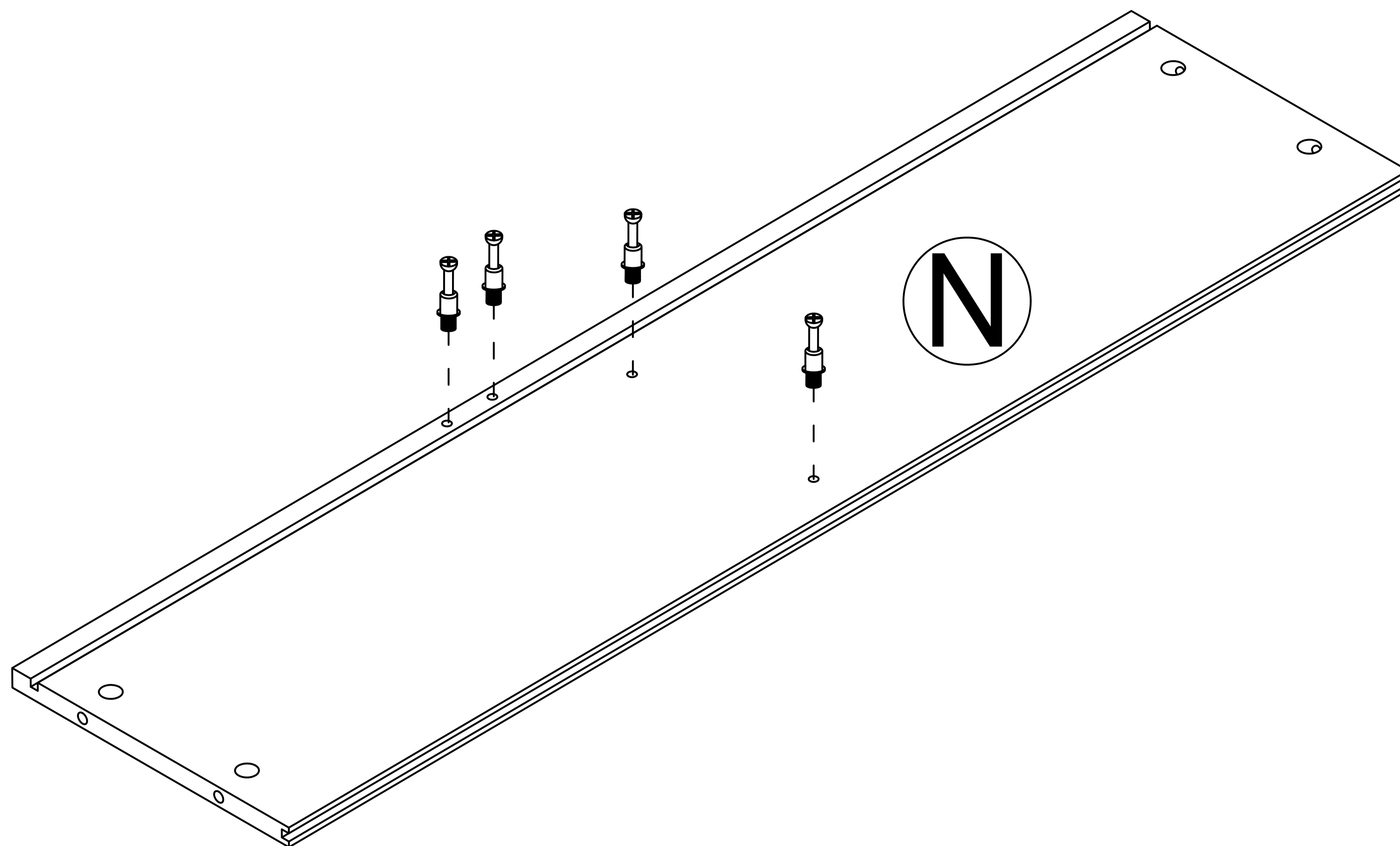
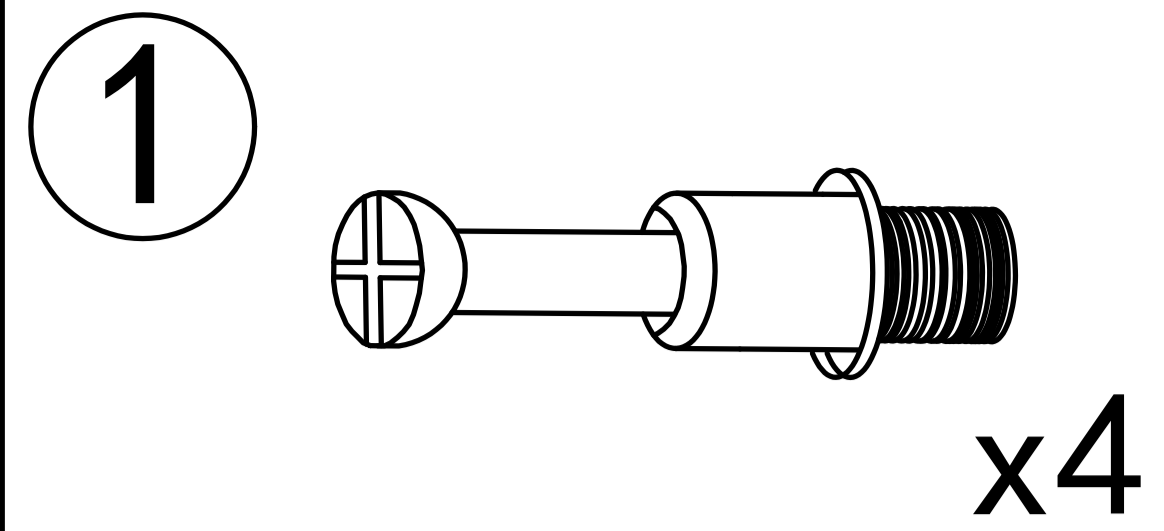


Step 21

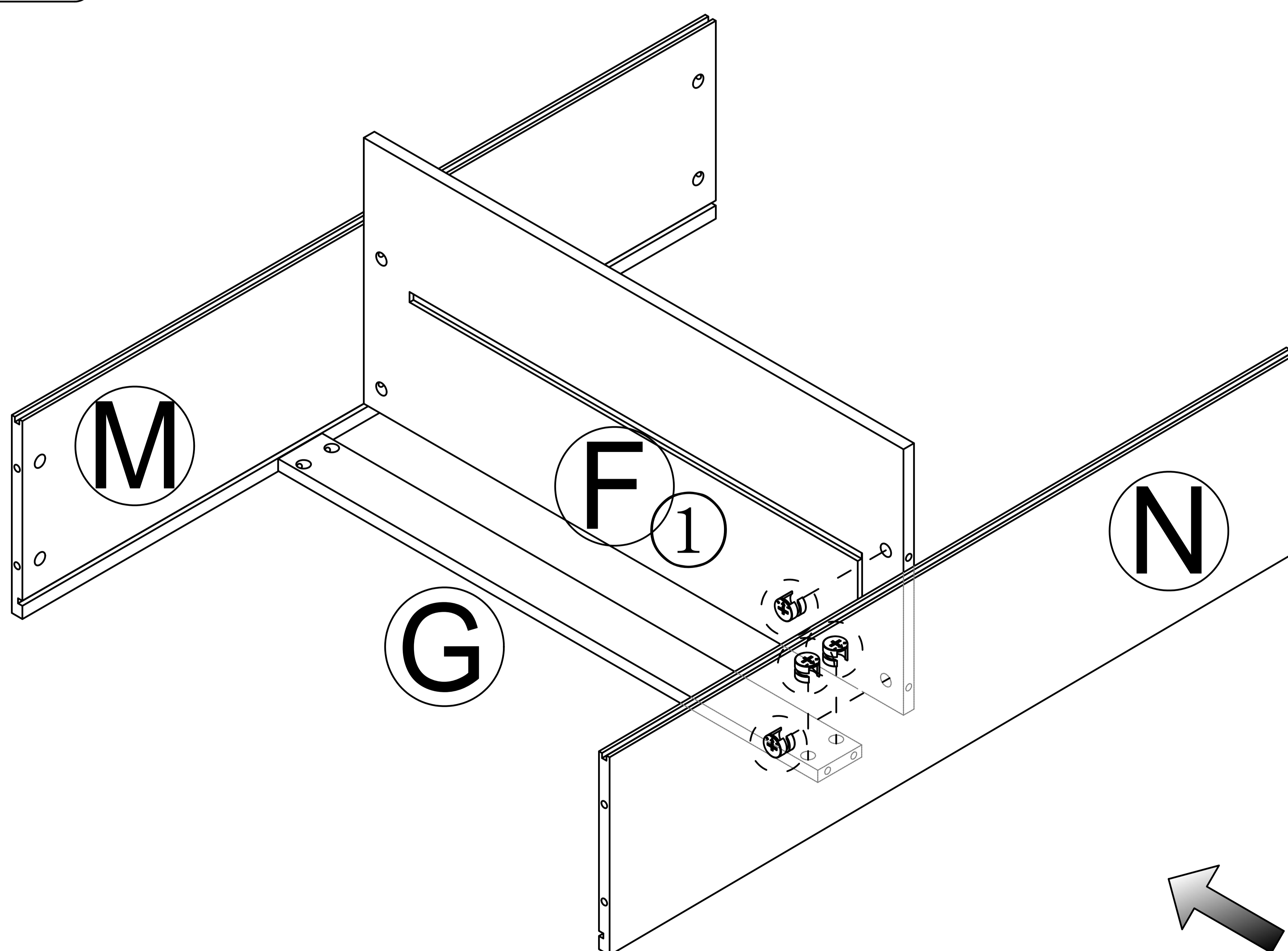
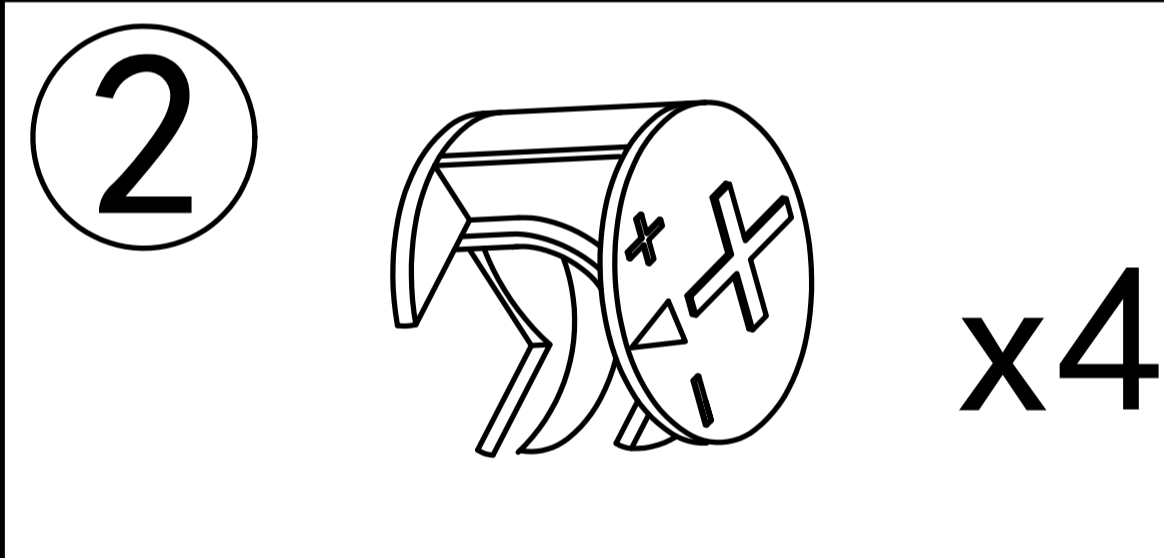
2  x2



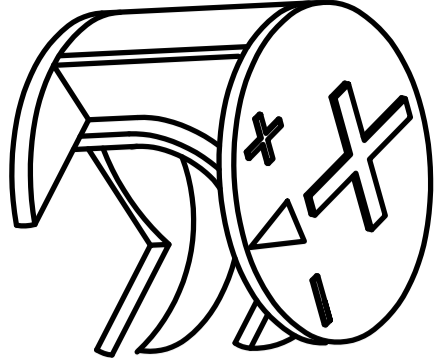
Step 22

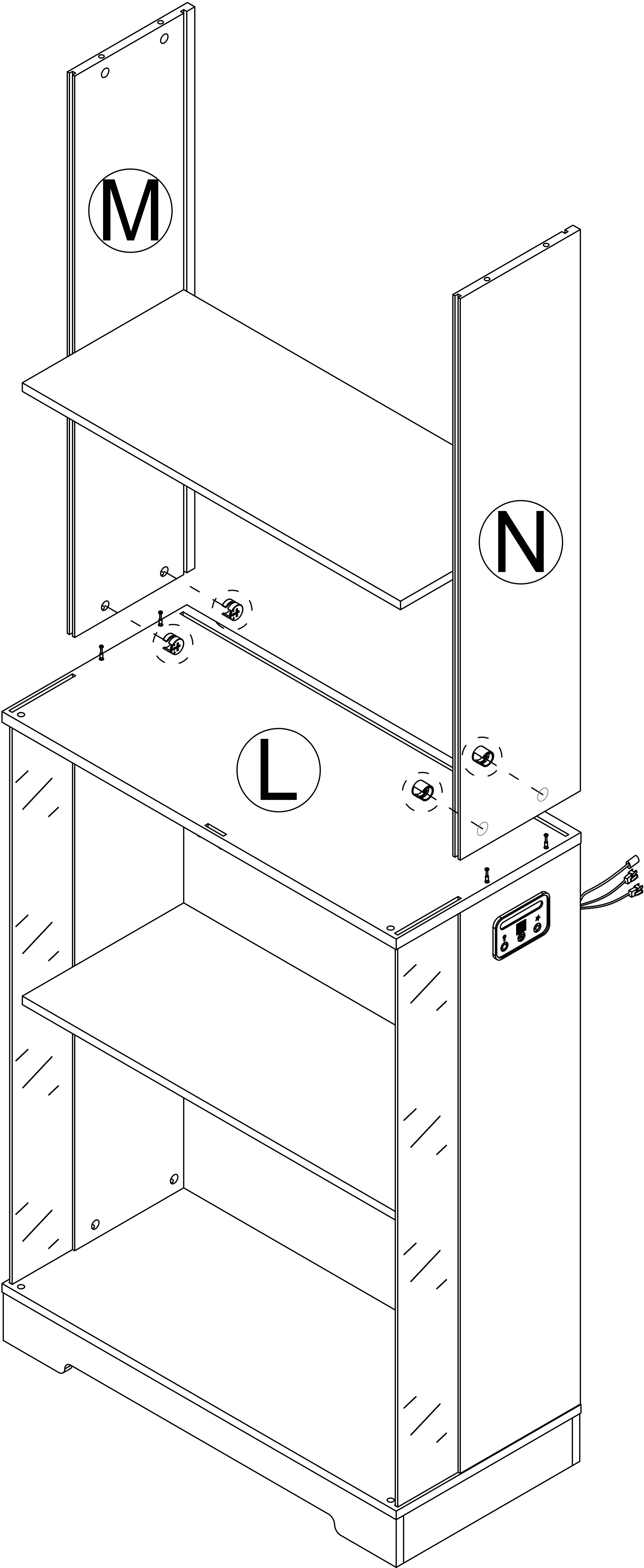


Step 23

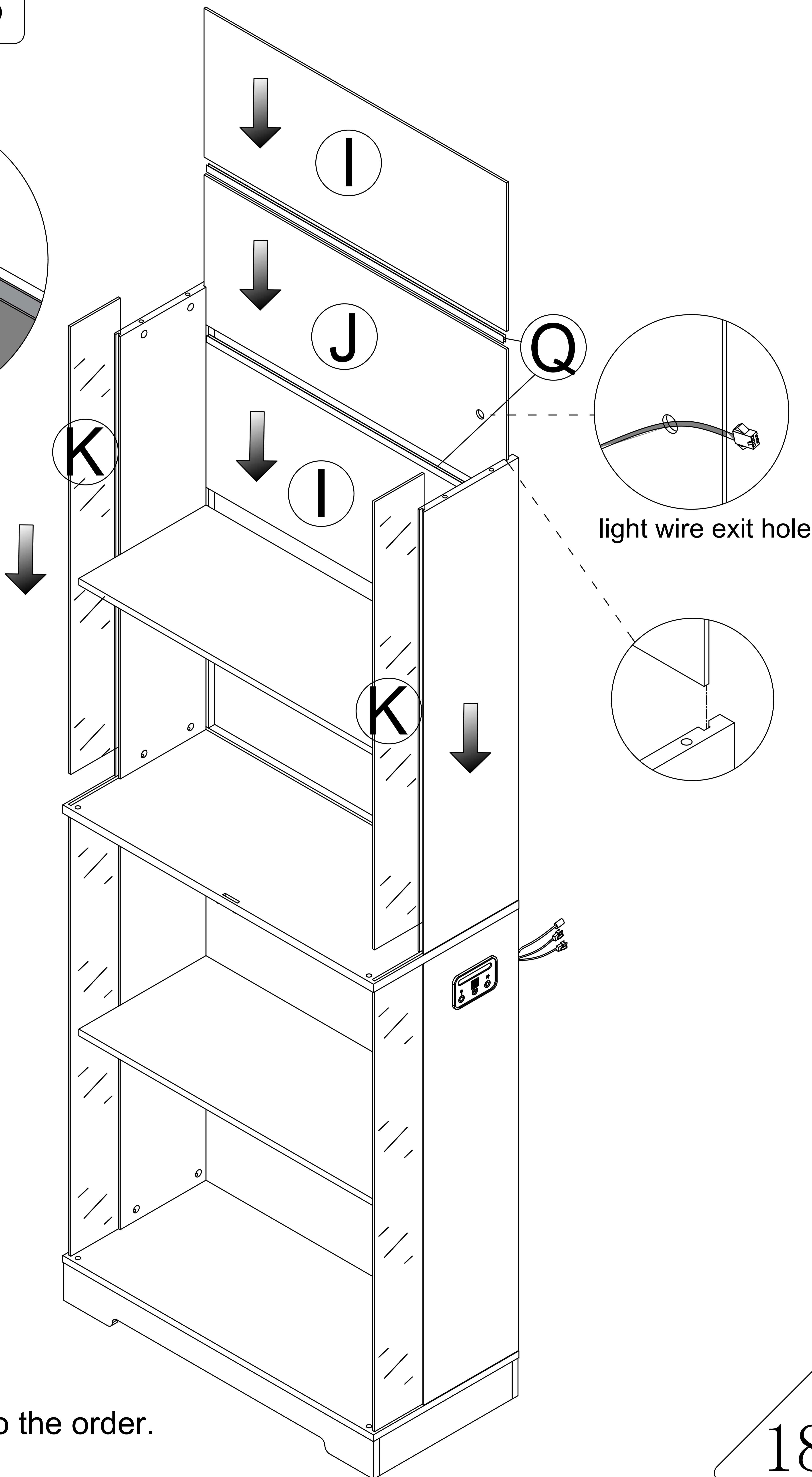
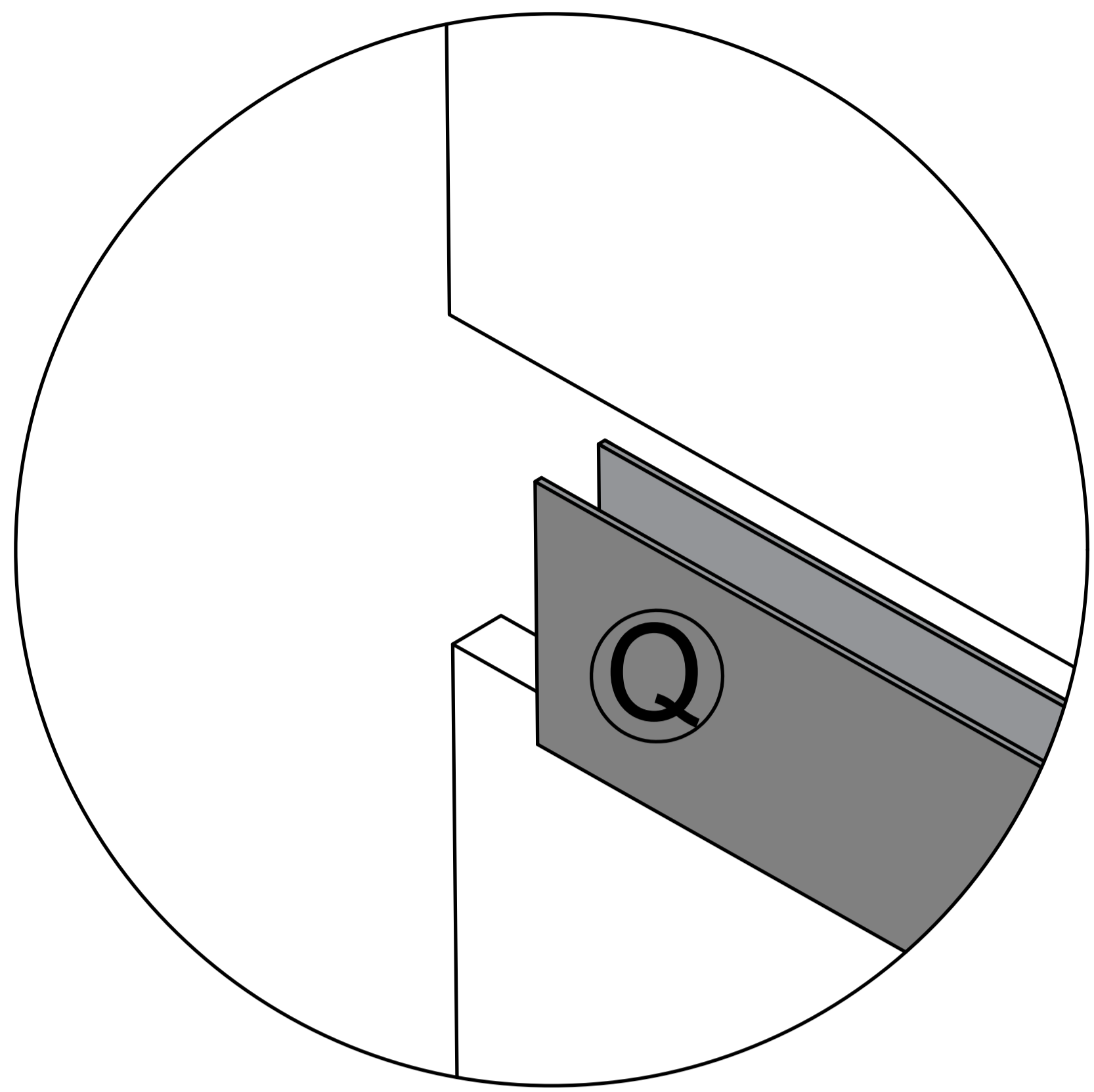


Step 24

2  x4



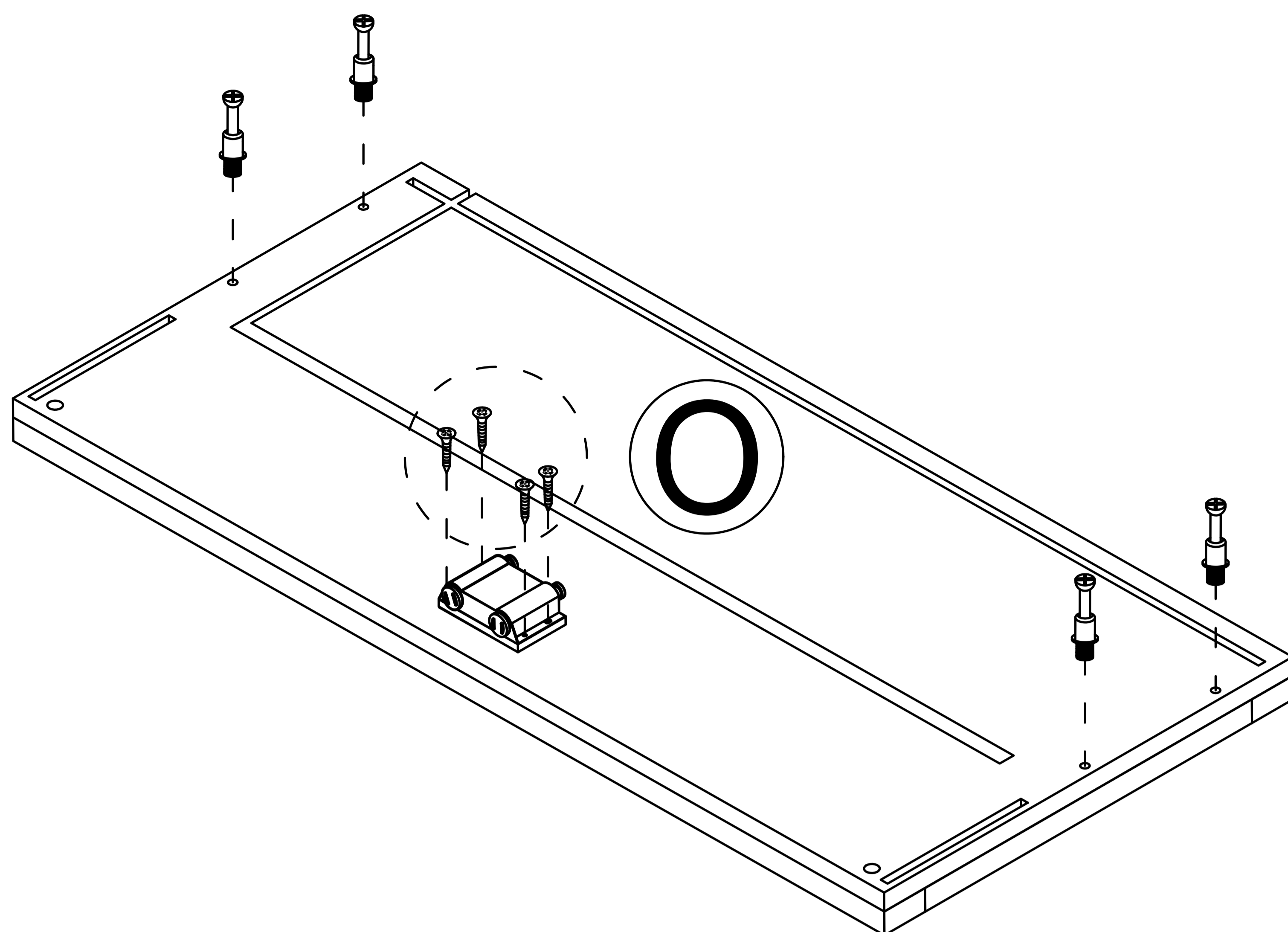
Step 25

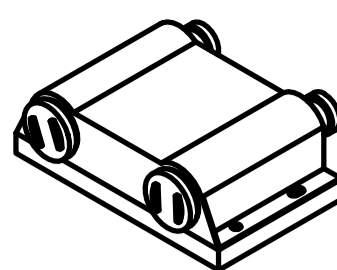
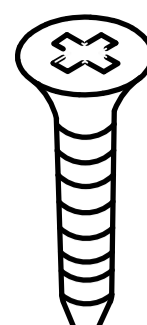
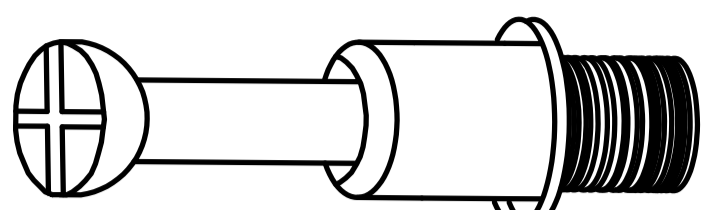


light wire exit hole

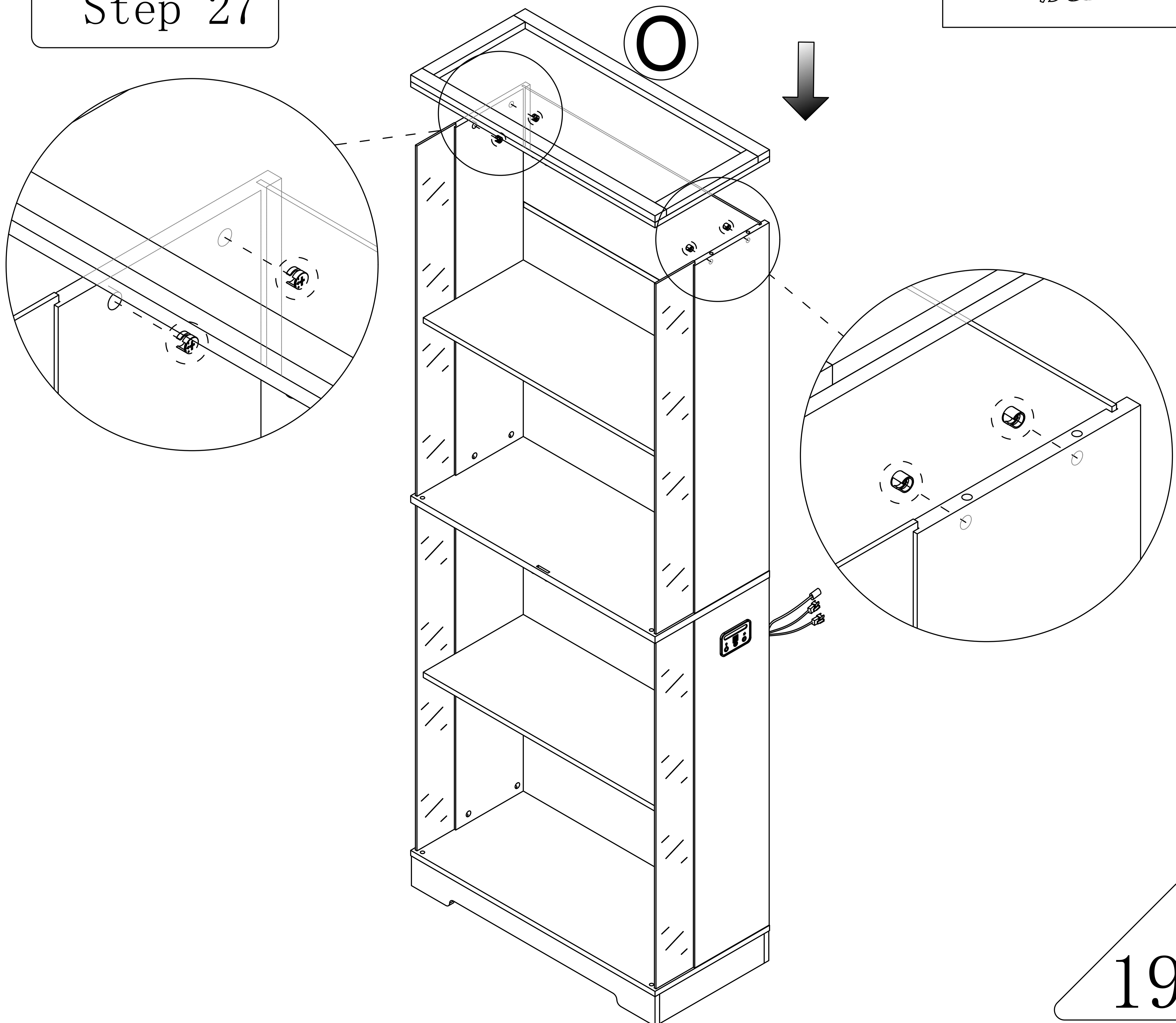
Pay attention to the order.

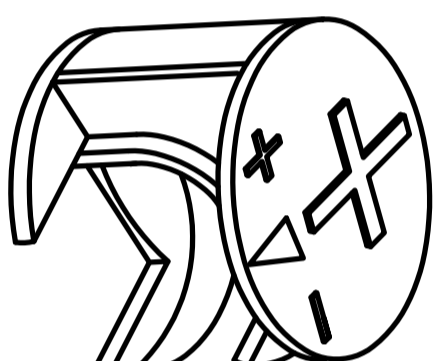
Step 26



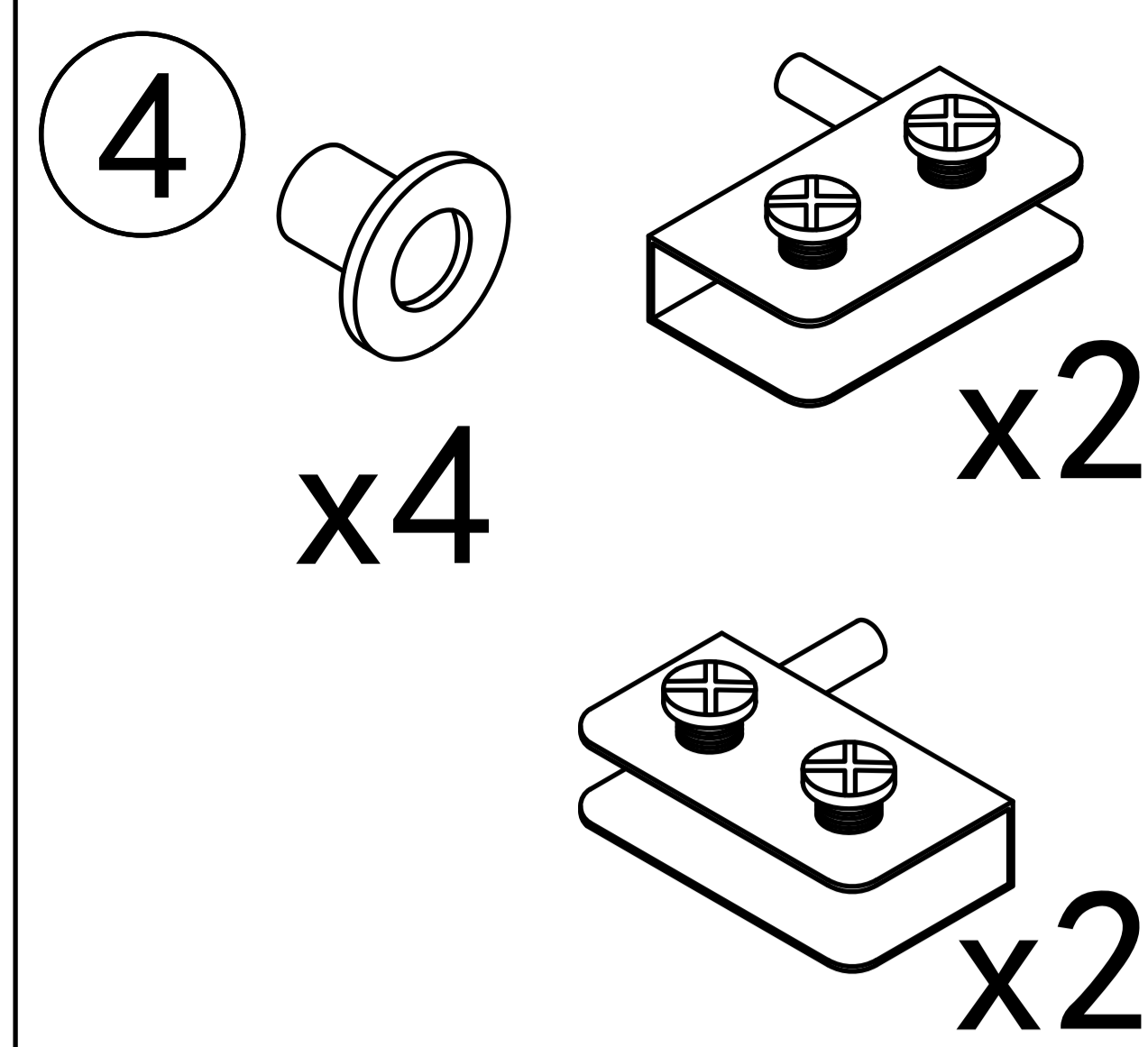
- ④  x1  x4
- ①  x4

Step 27

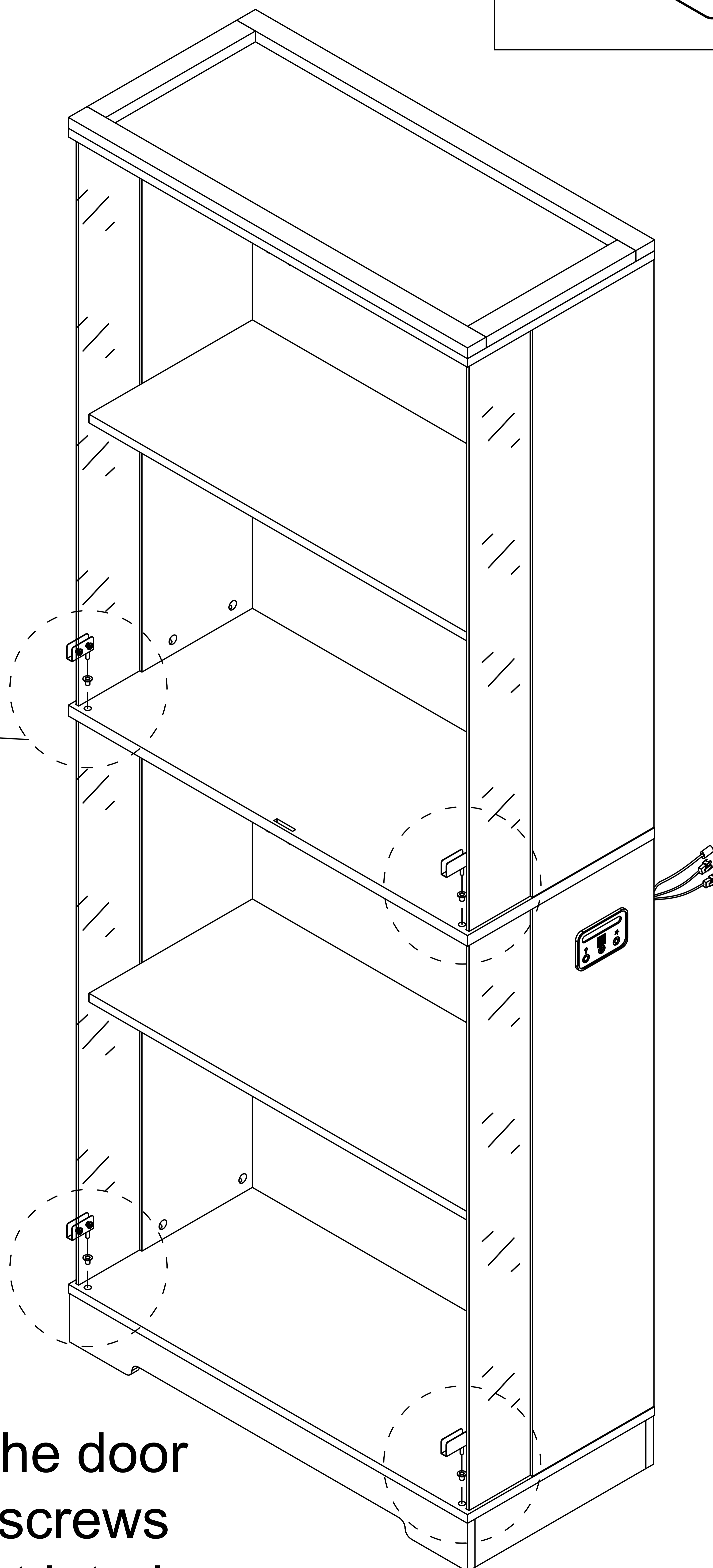
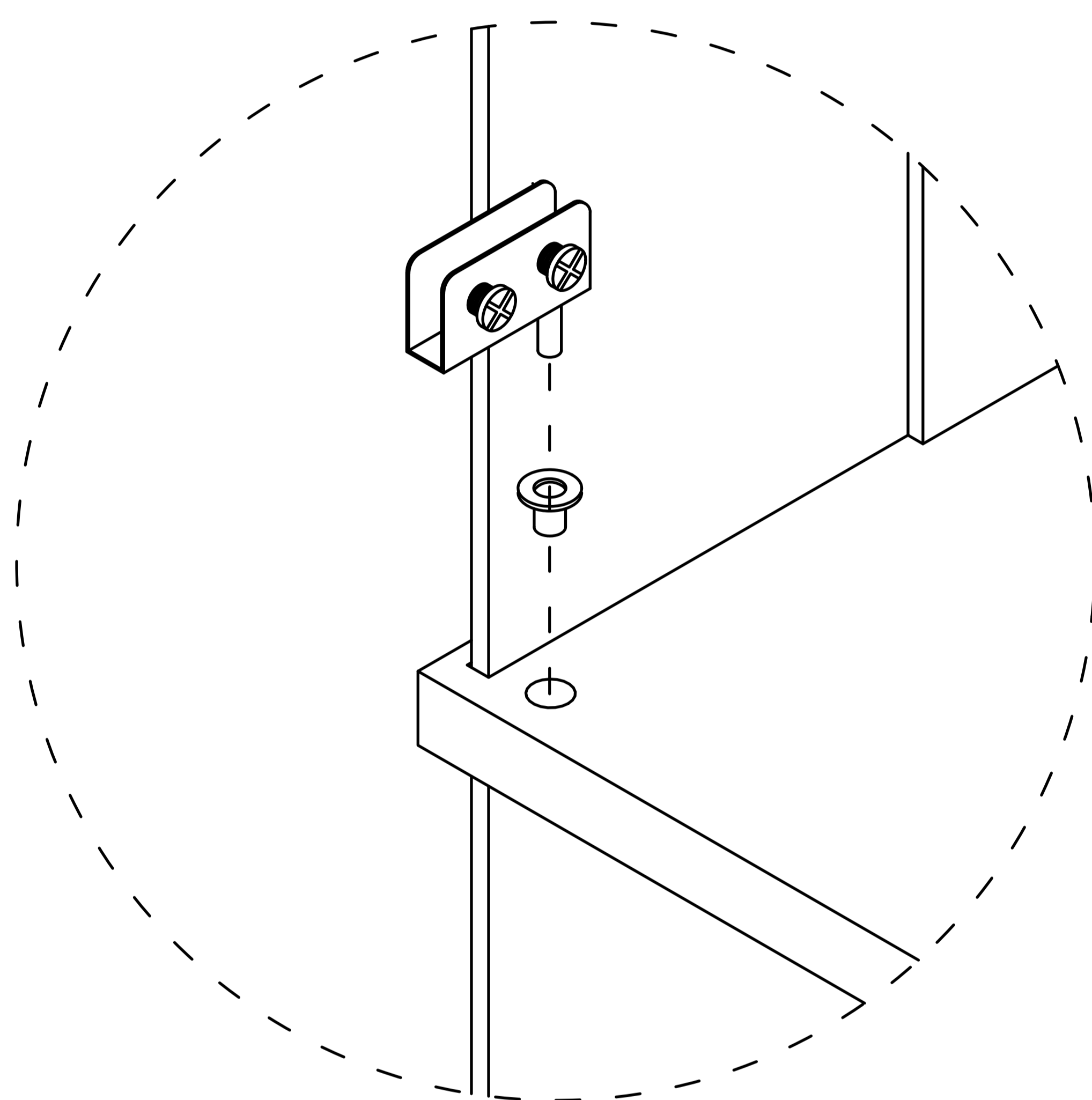
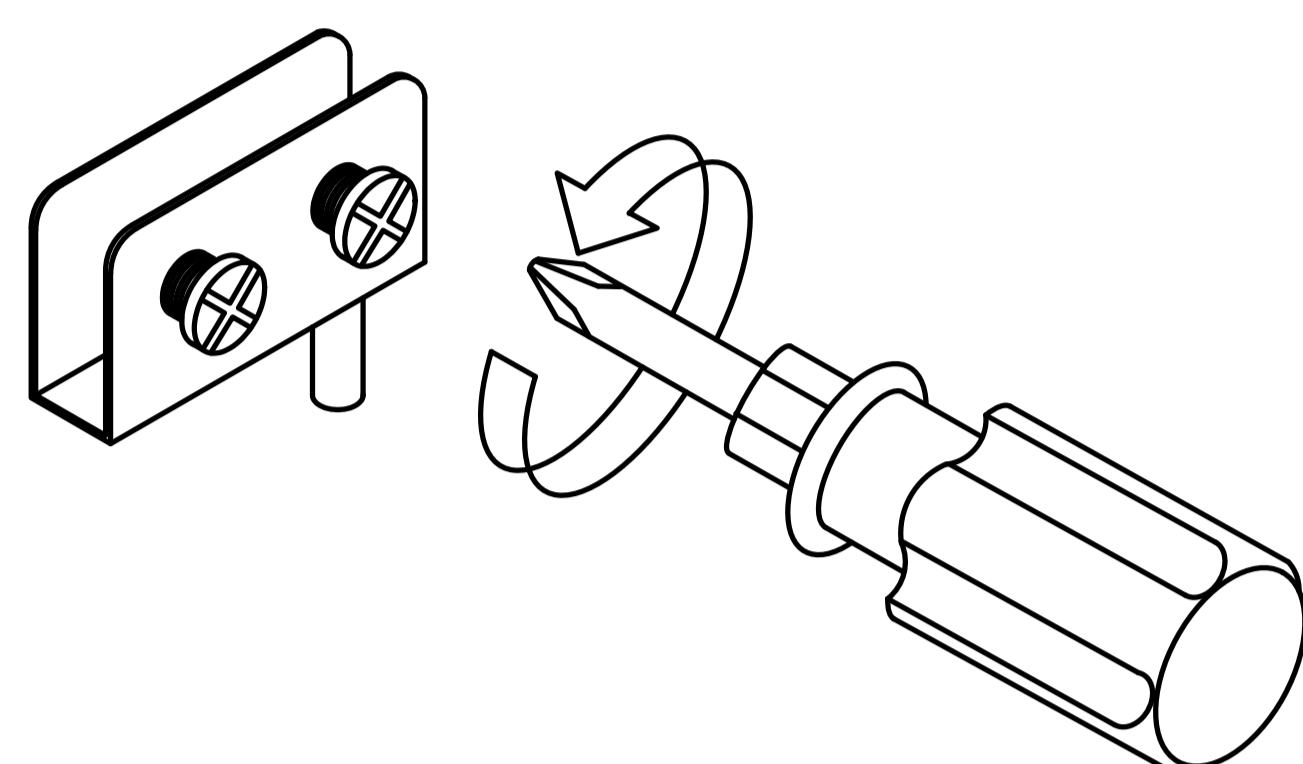


- ②  x4

Step 28



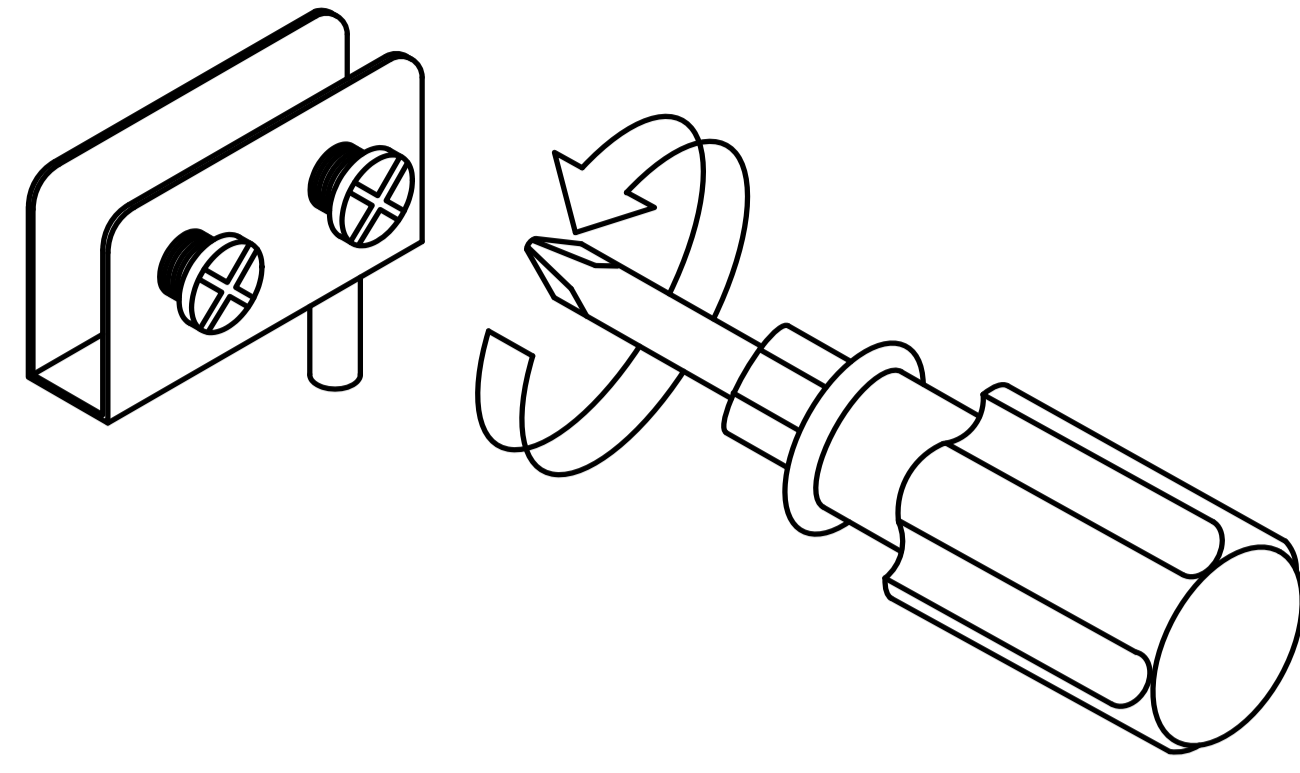
First, loosen the screws.



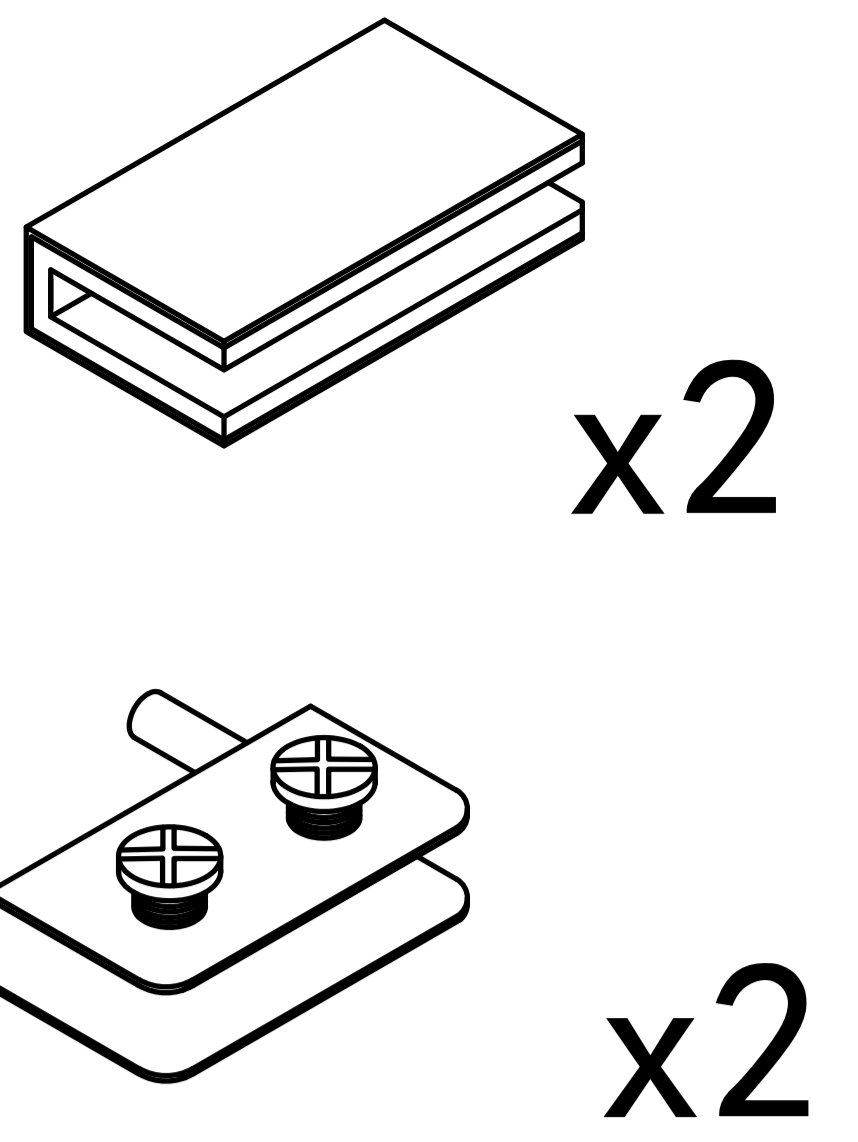
Note the orientation of the door hinge: the end with the screws faces toward the cabinet interior.

Step 29

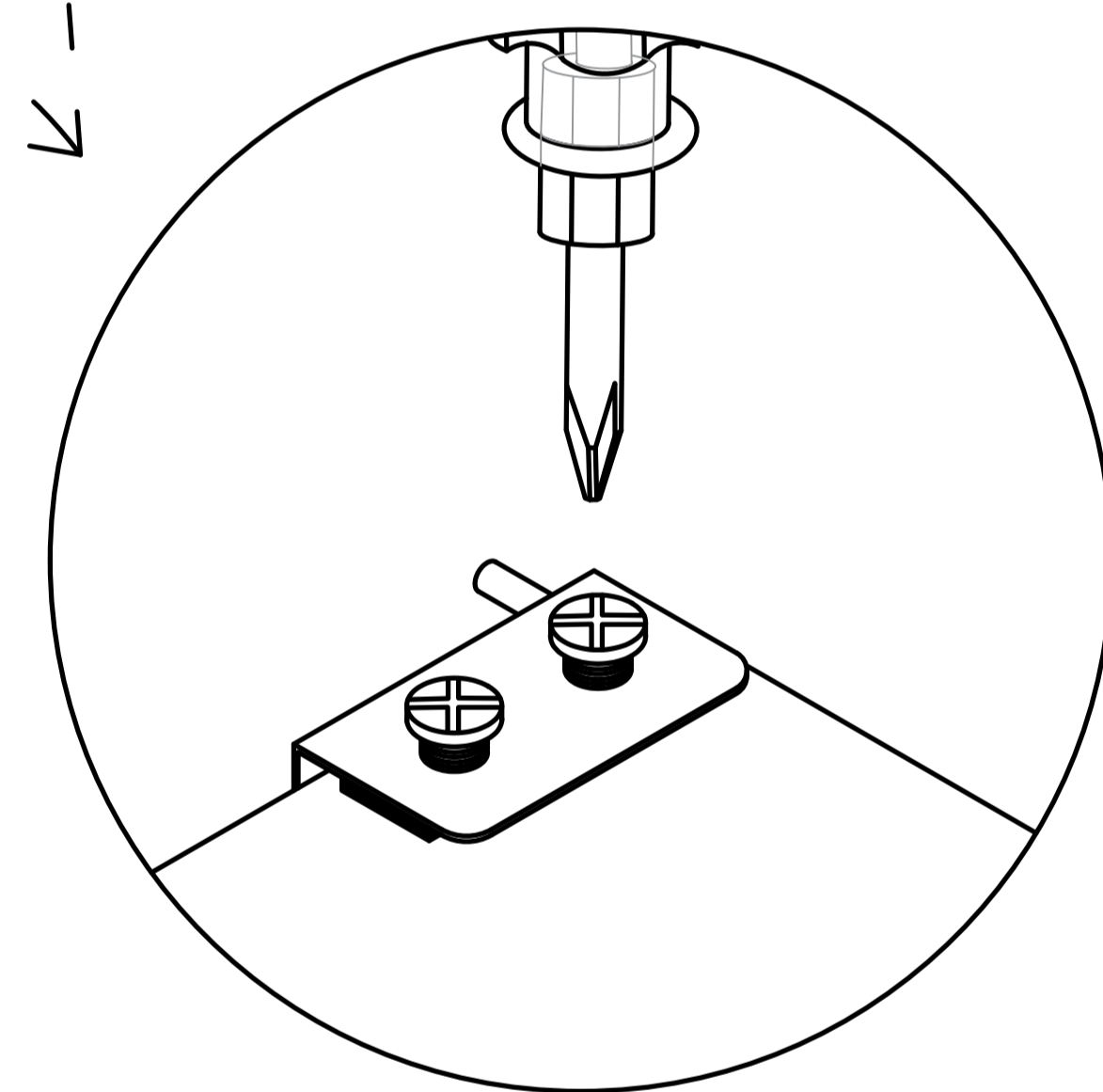
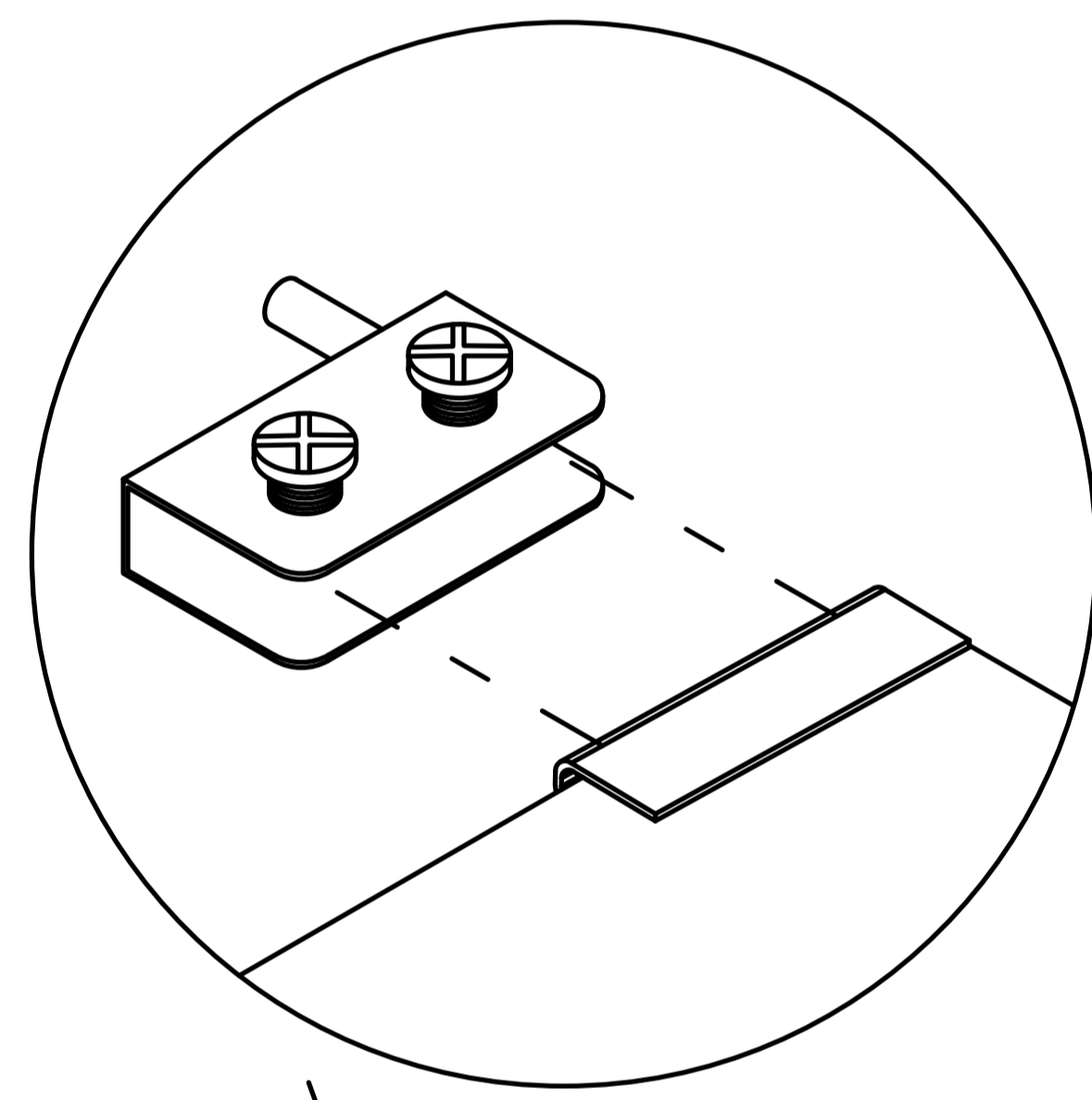
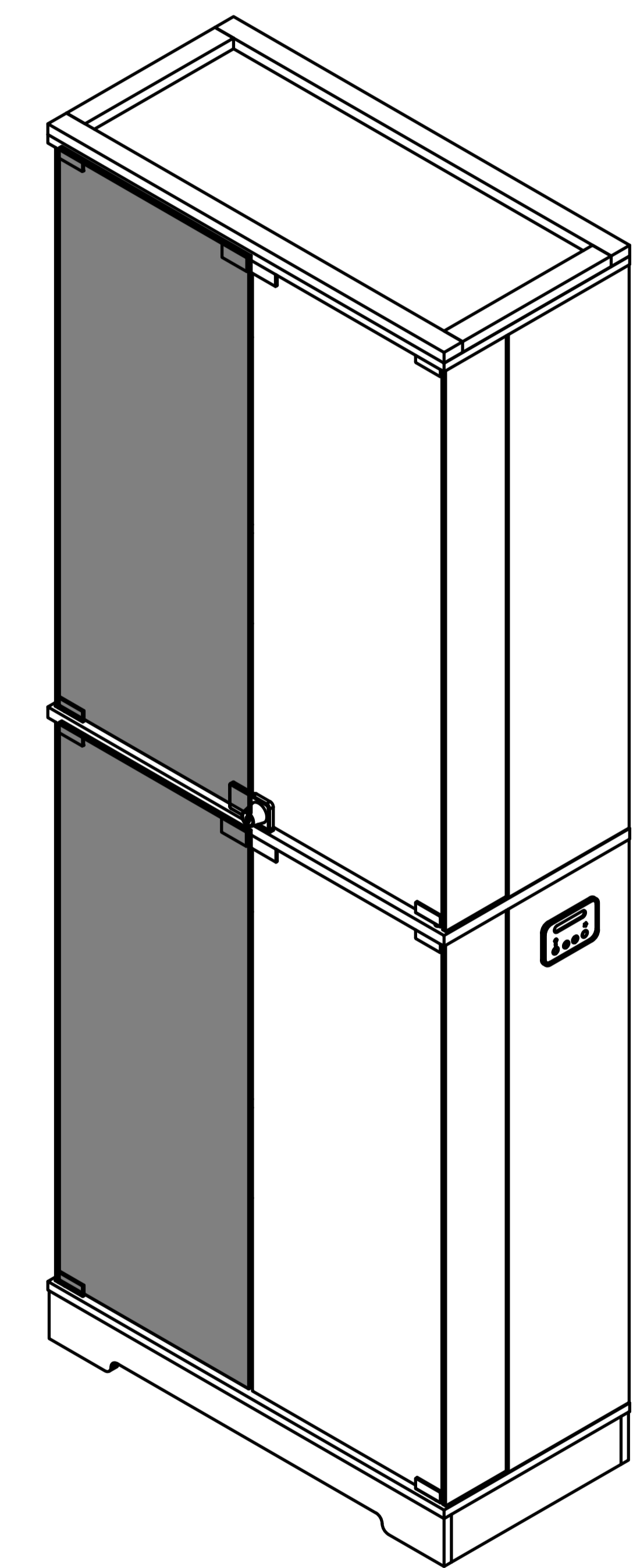
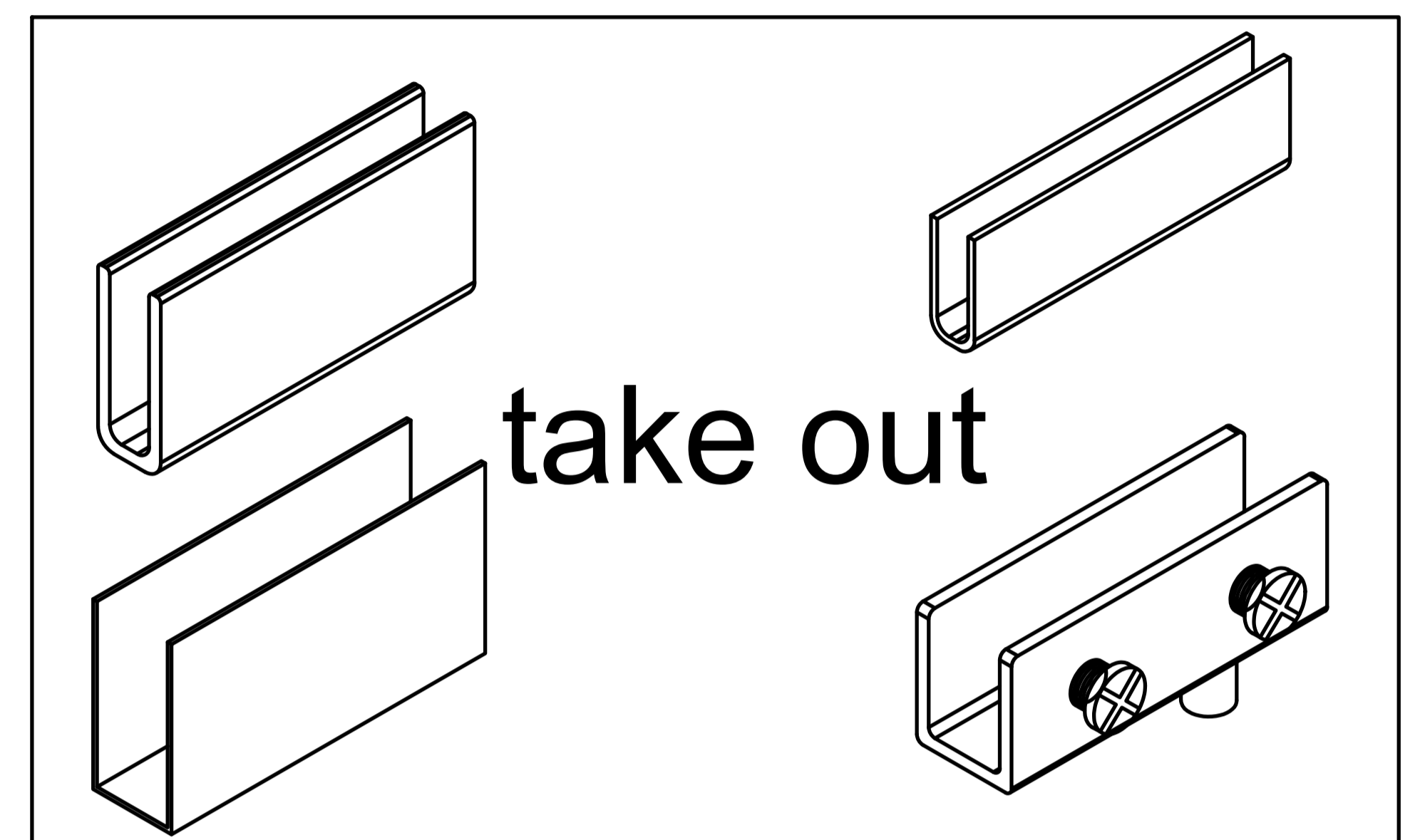
First, loosen the screws.



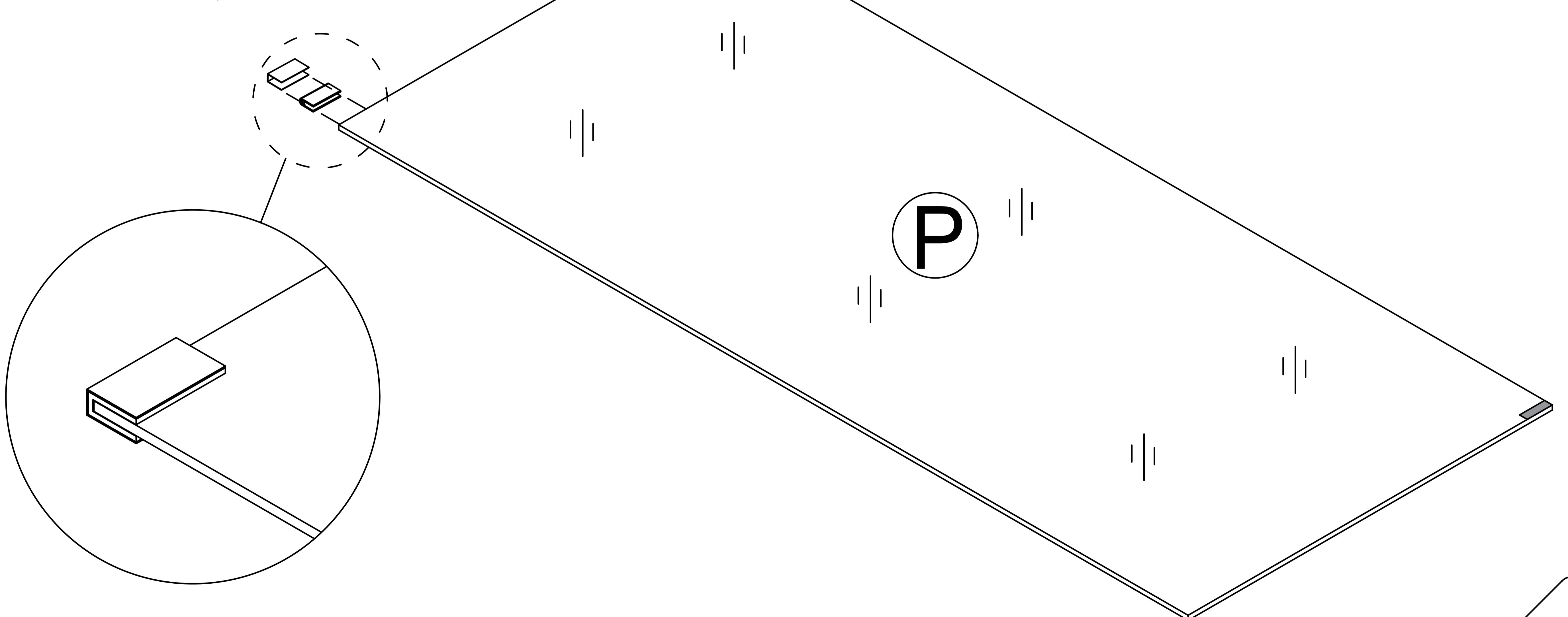
4



1. Take out the white foam pad
2. Fit the pad around the edge of the glass panel
3. Then slide the metal clamp over the assembled position
4. Finally, tighten the screws securely



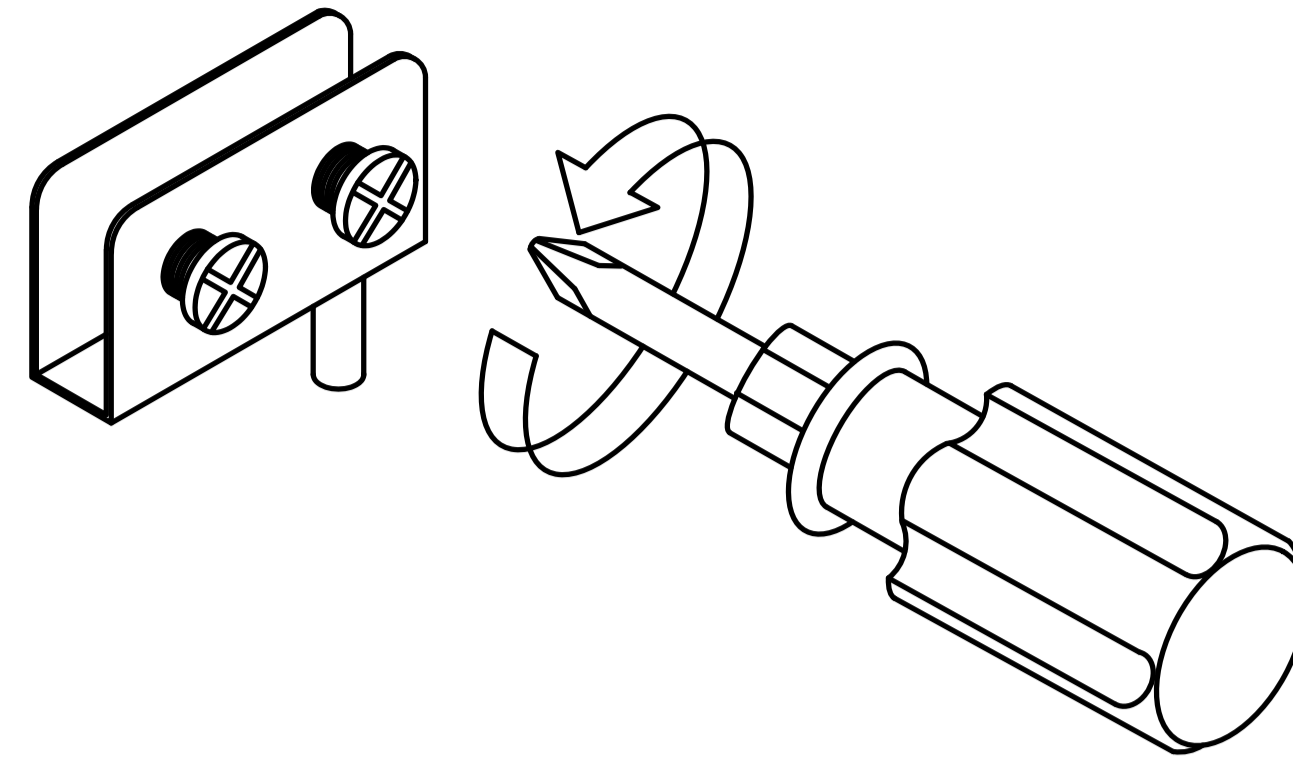
Locking screw



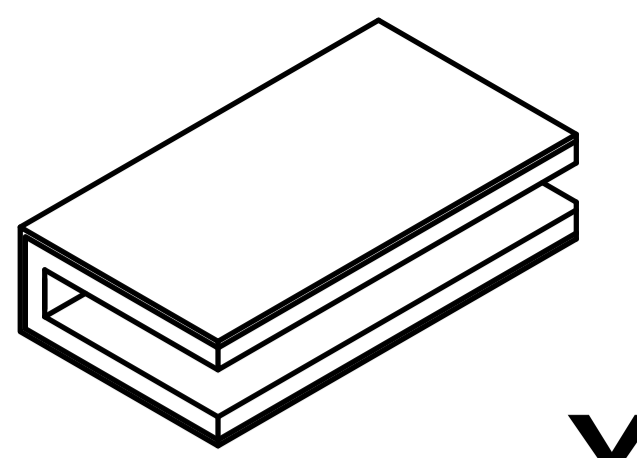
Repeat steps above.

Step 30

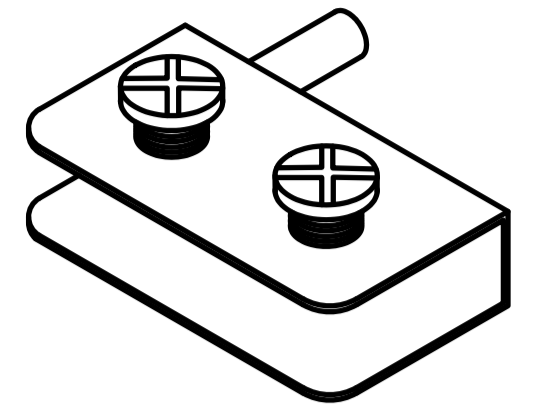
First, loosen the screws.



4

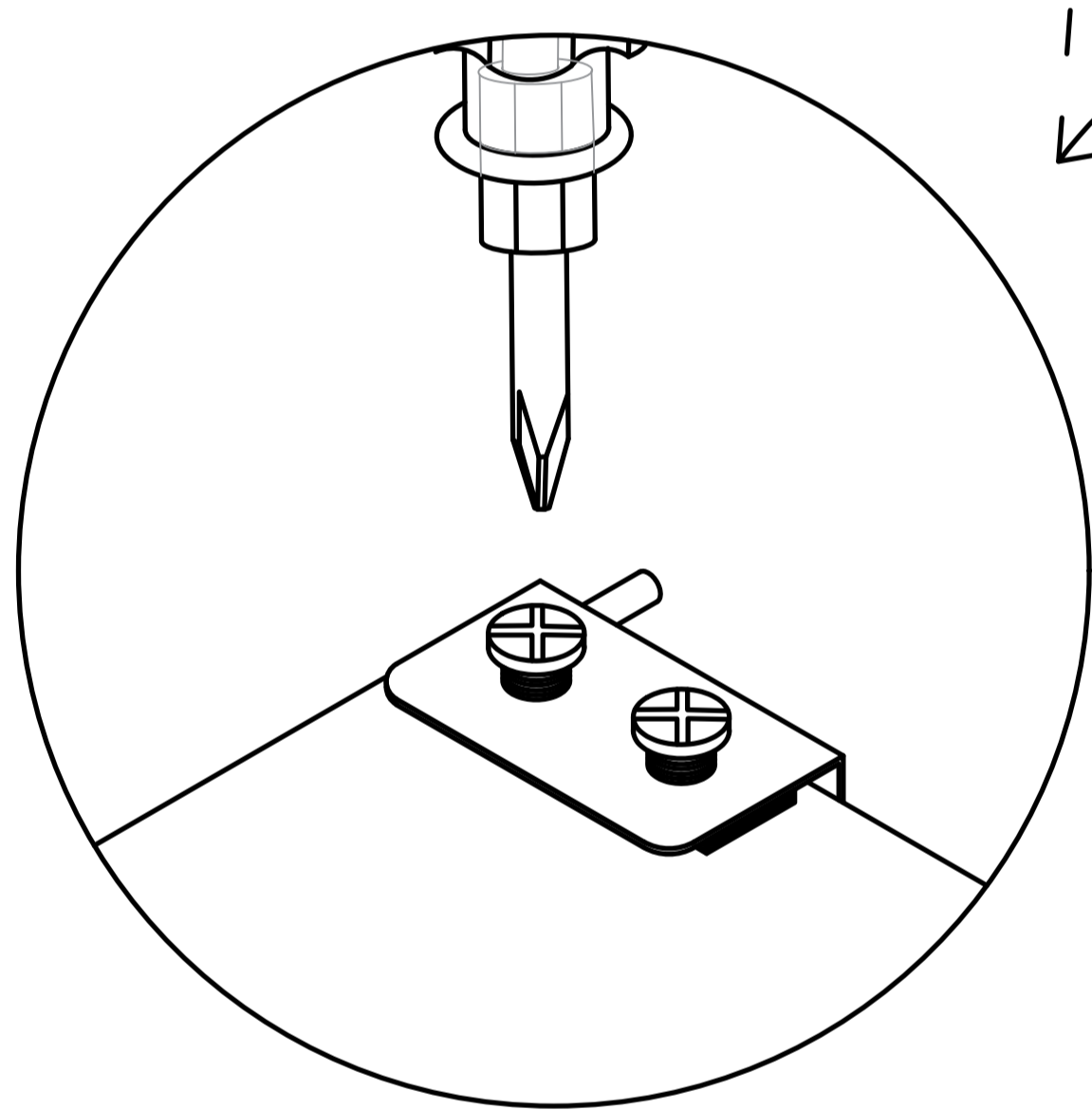
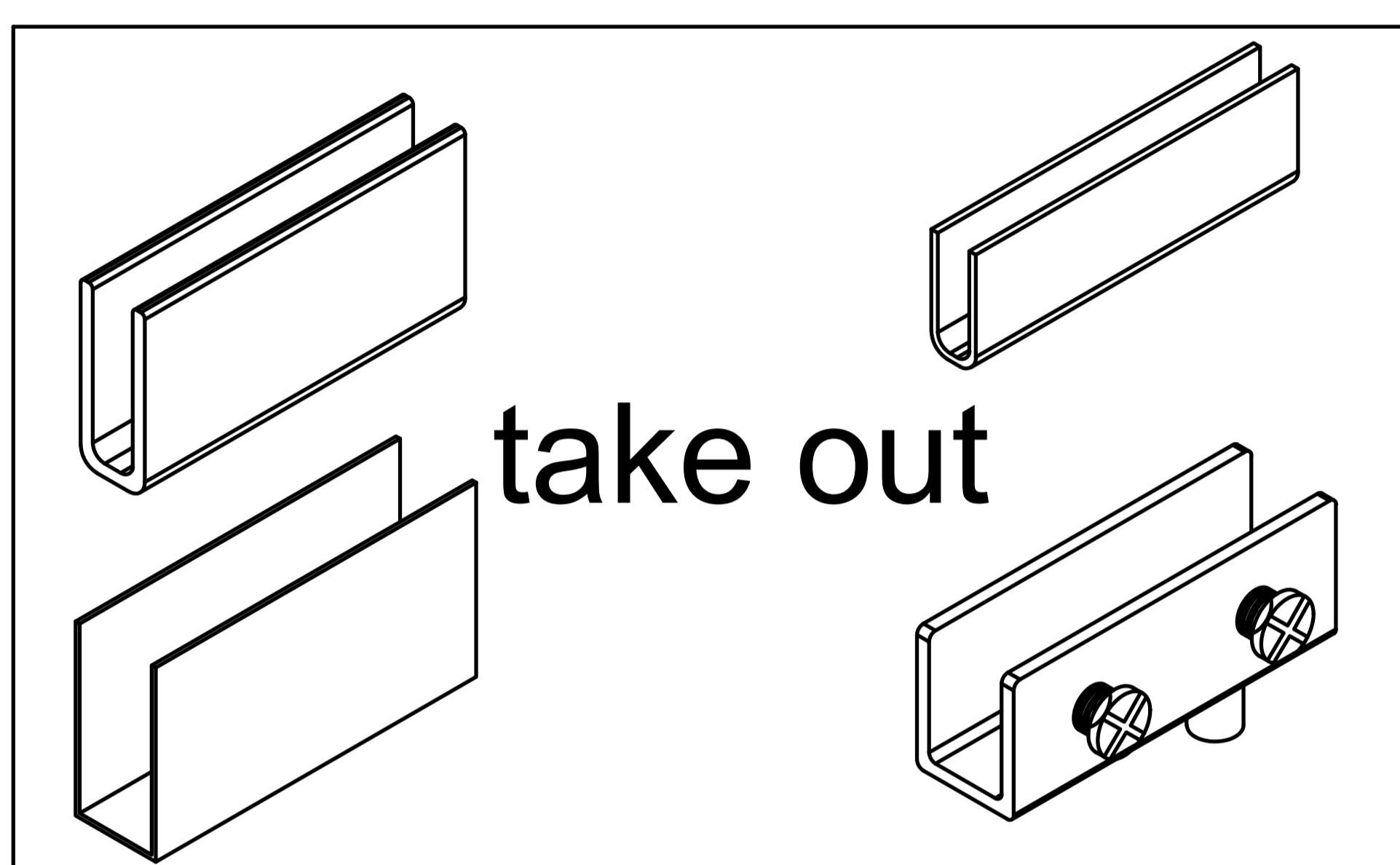


x2

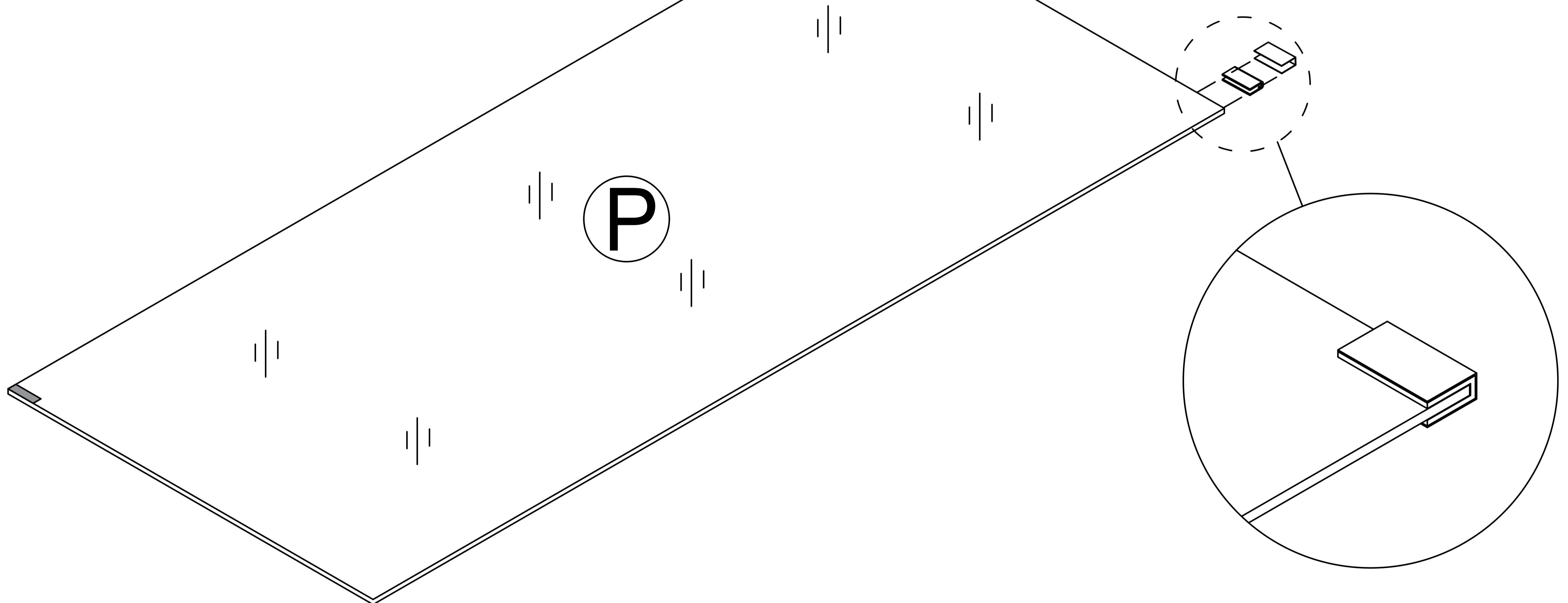
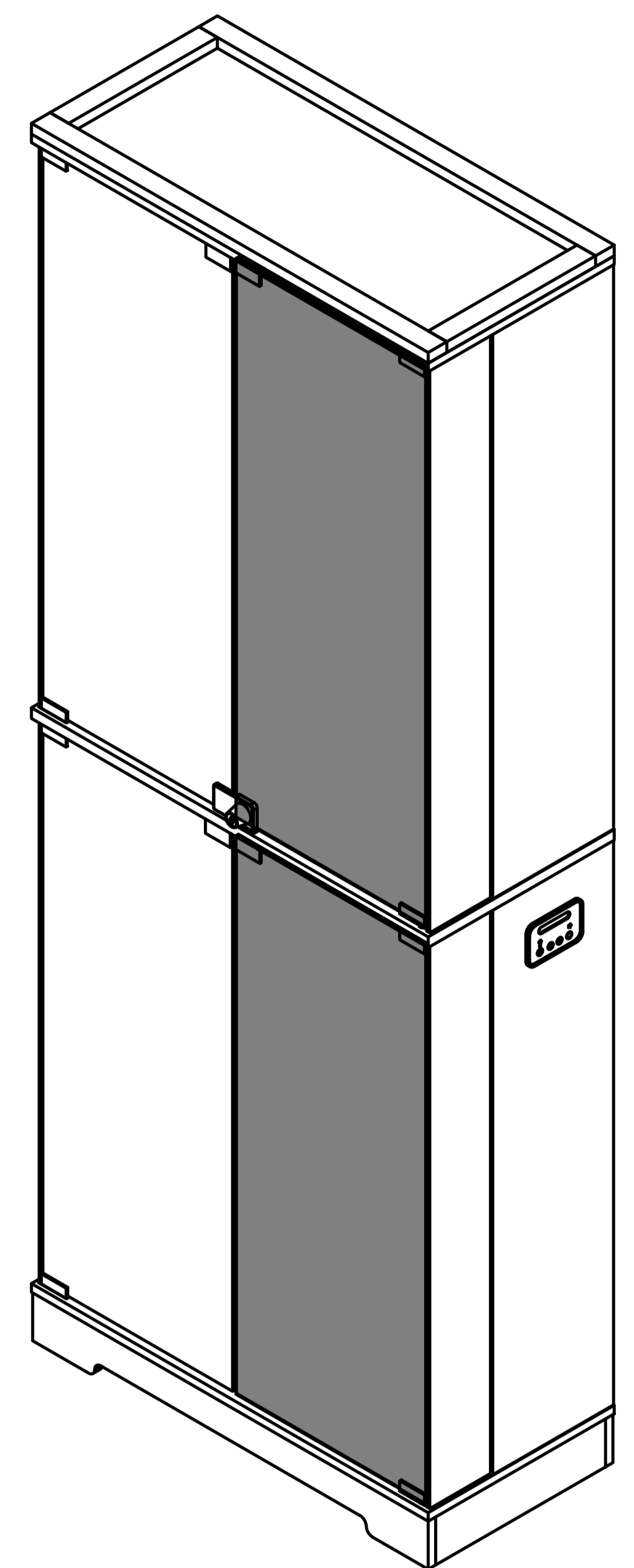
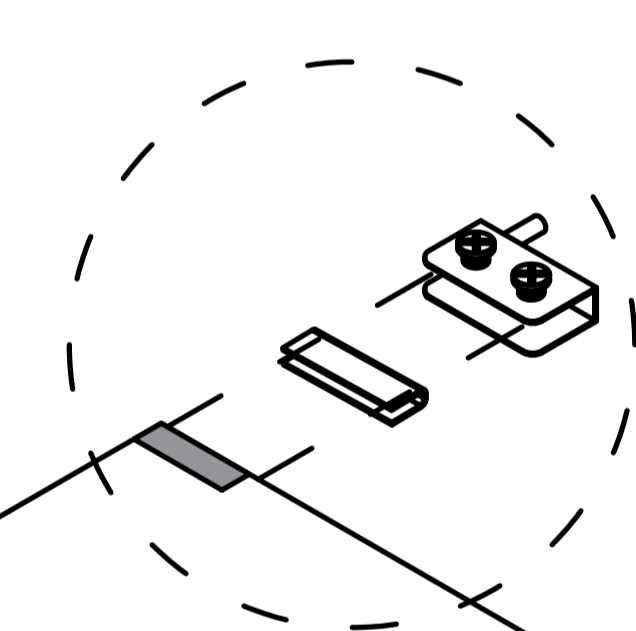
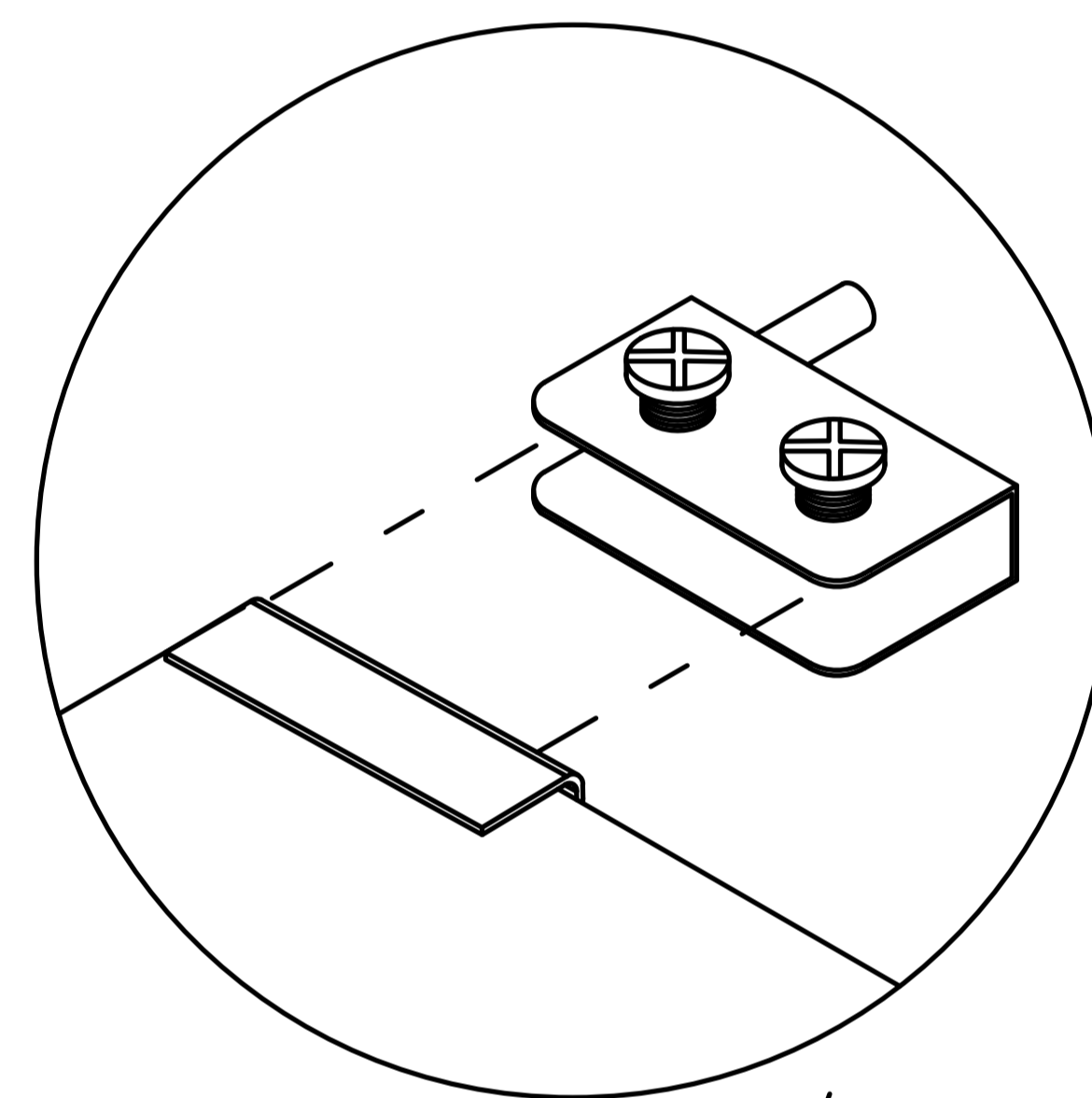


x2

1. Take out the white foam pad
2. Fit the pad around the edge of the glass panel
3. Then slide the metal clamp over the assembled position
4. Finally, tighten the screws securely



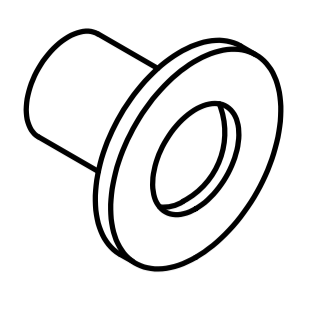
Locking screw



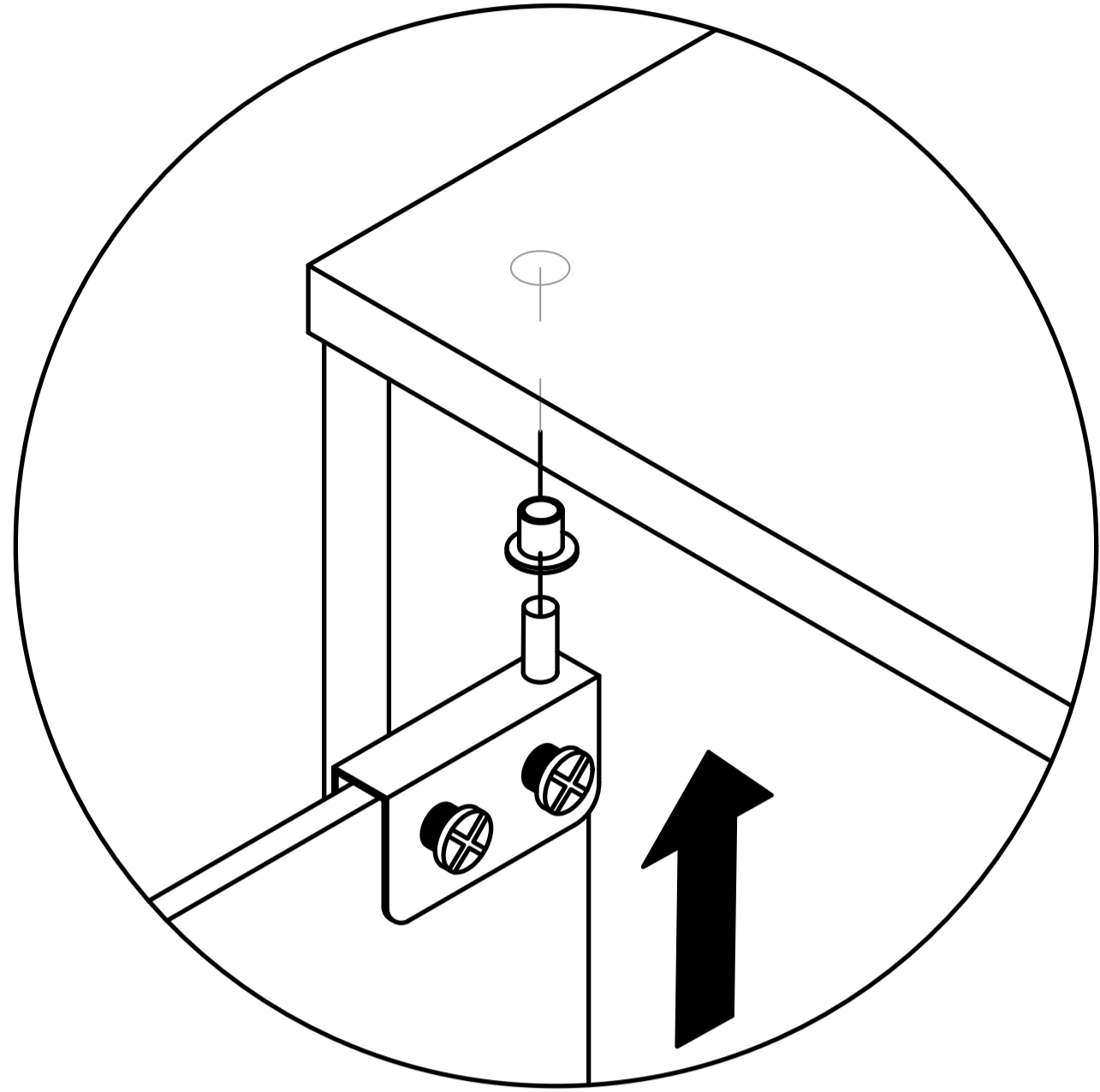
Repeat steps above.

Step 31

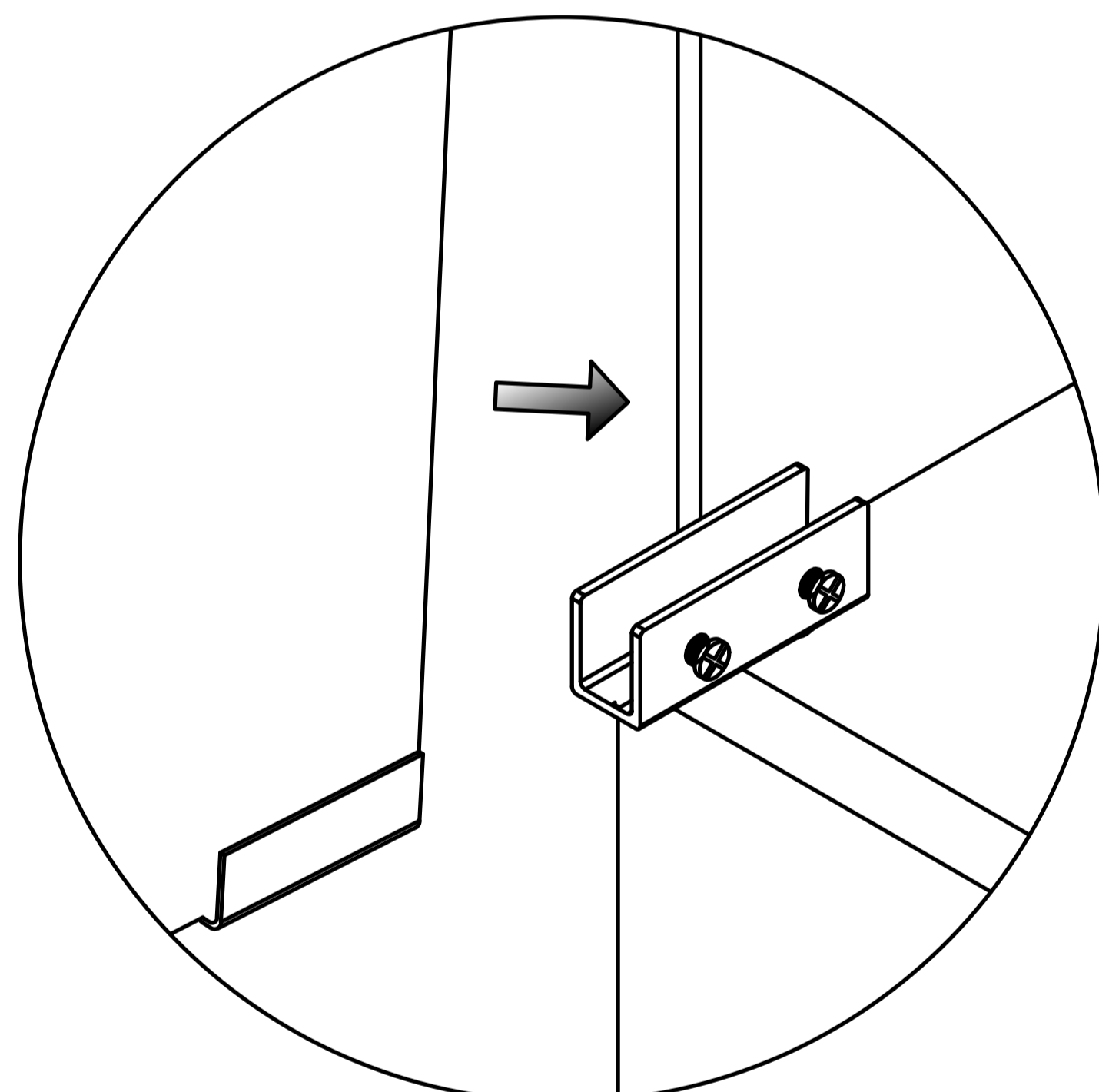
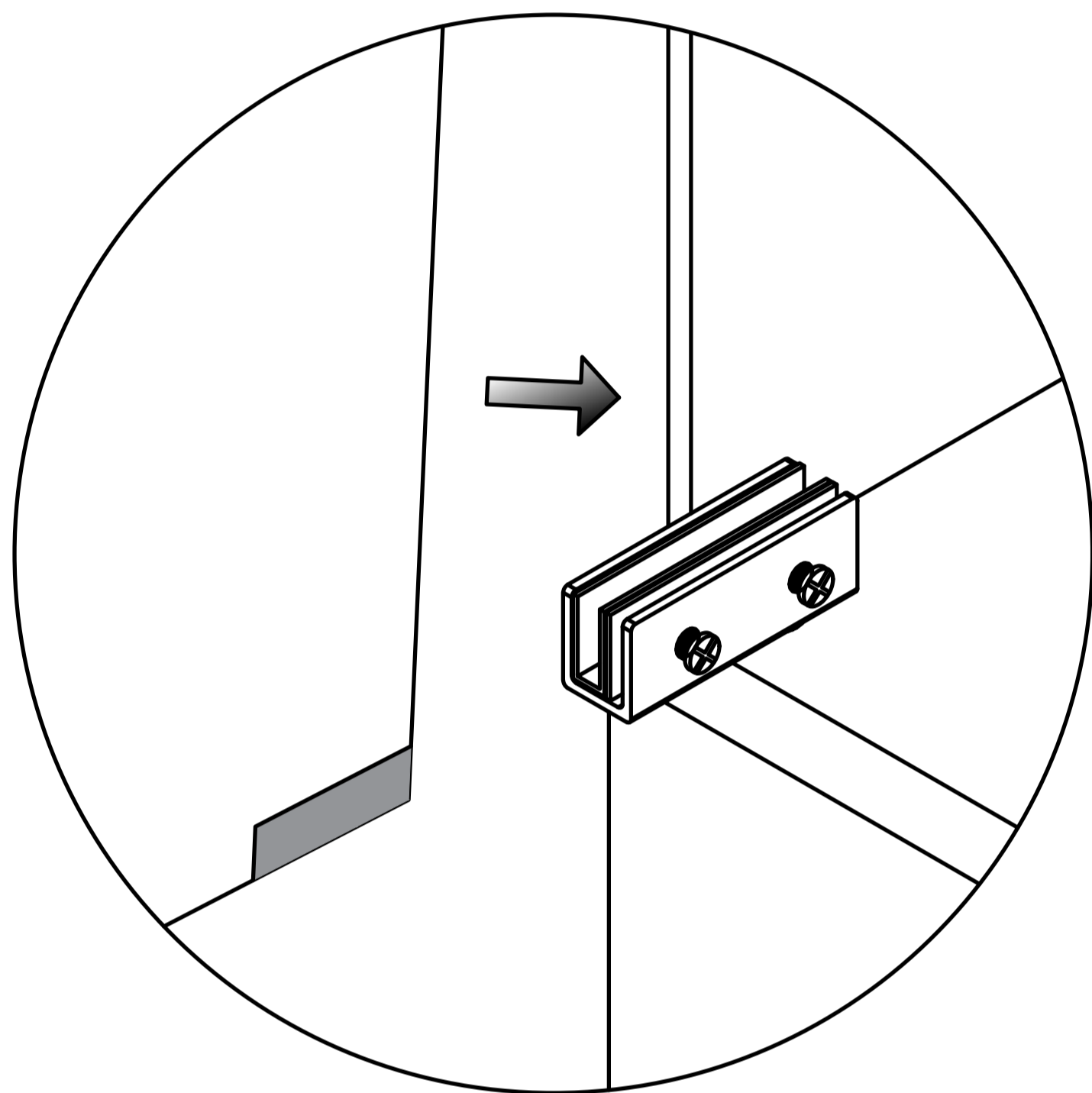
Pay attention to the direction of the door hinge during installation

4  x4

When installing a glass door, it is recommended to have two people install it to avoid the glass door colliding or hitting oneself.

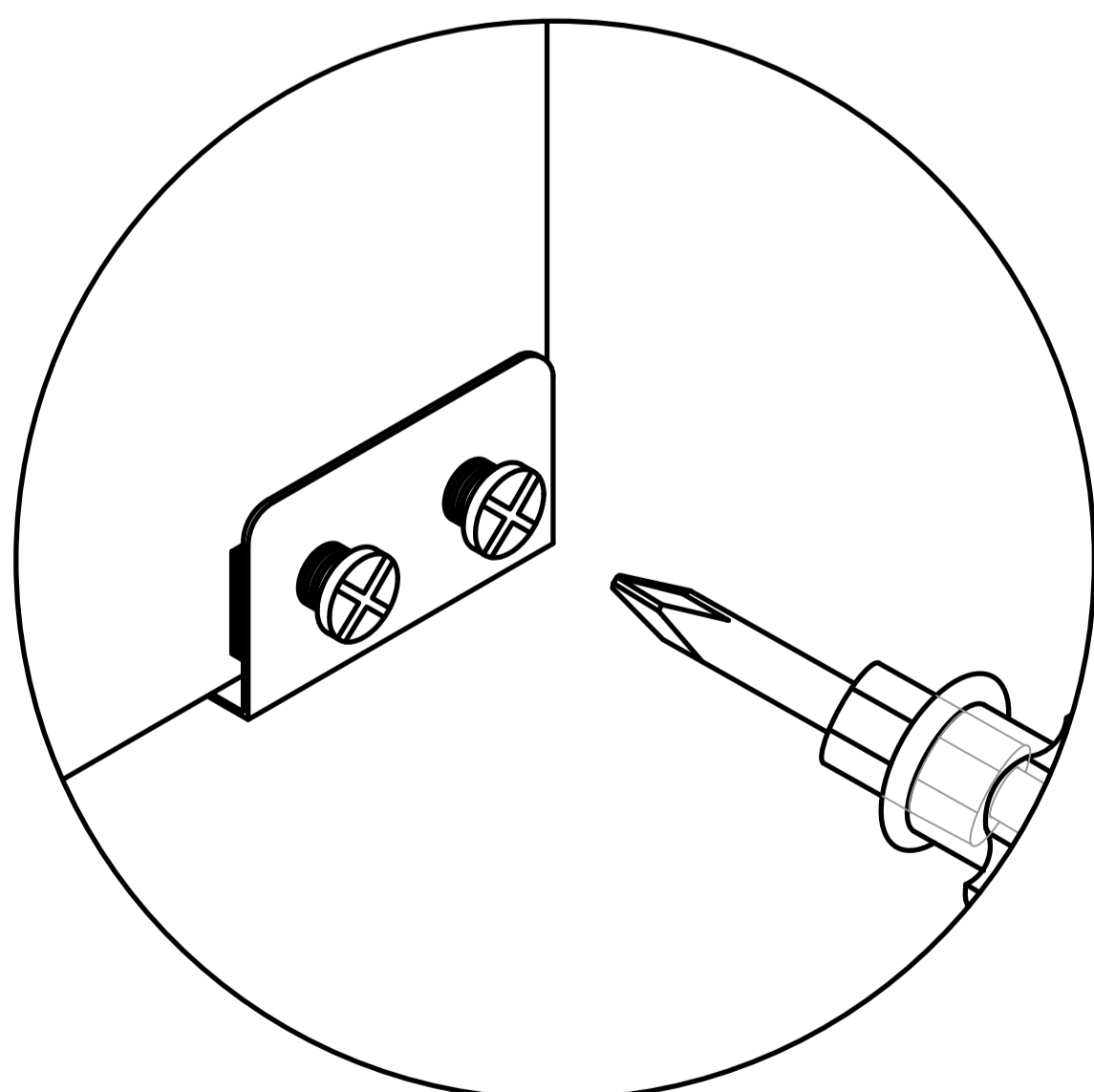


first



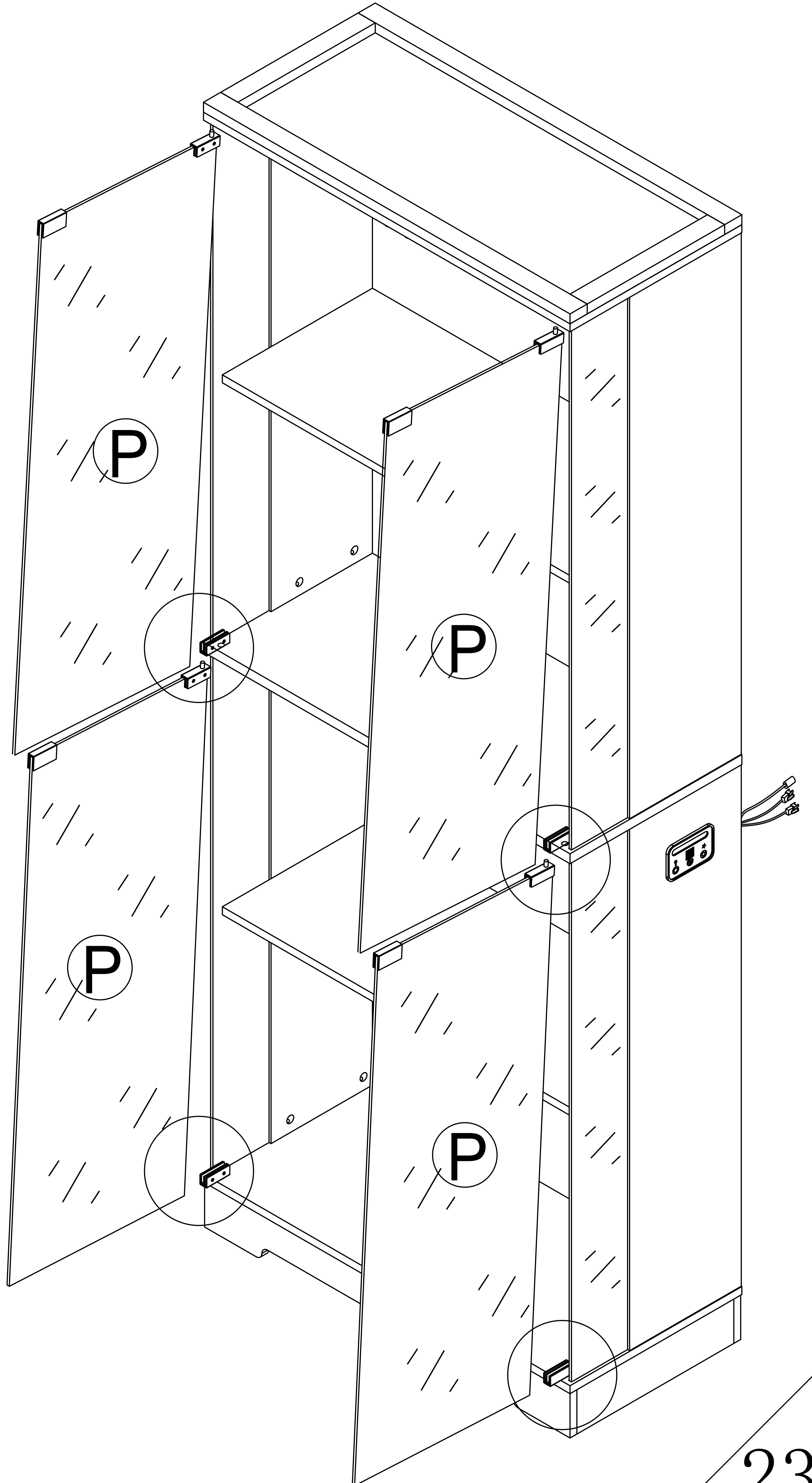
second

Insert the glass into the door hinge's slot.

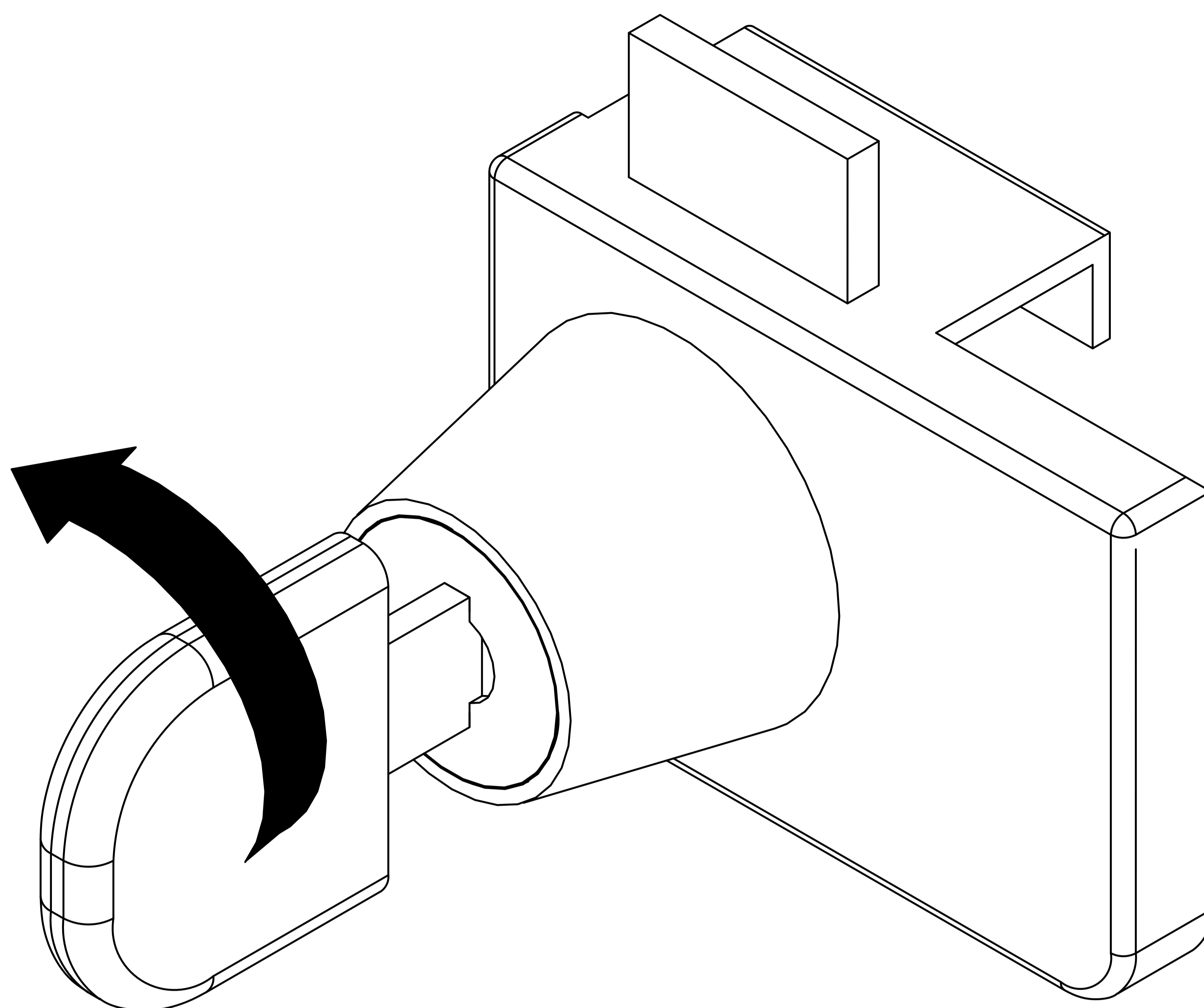


third

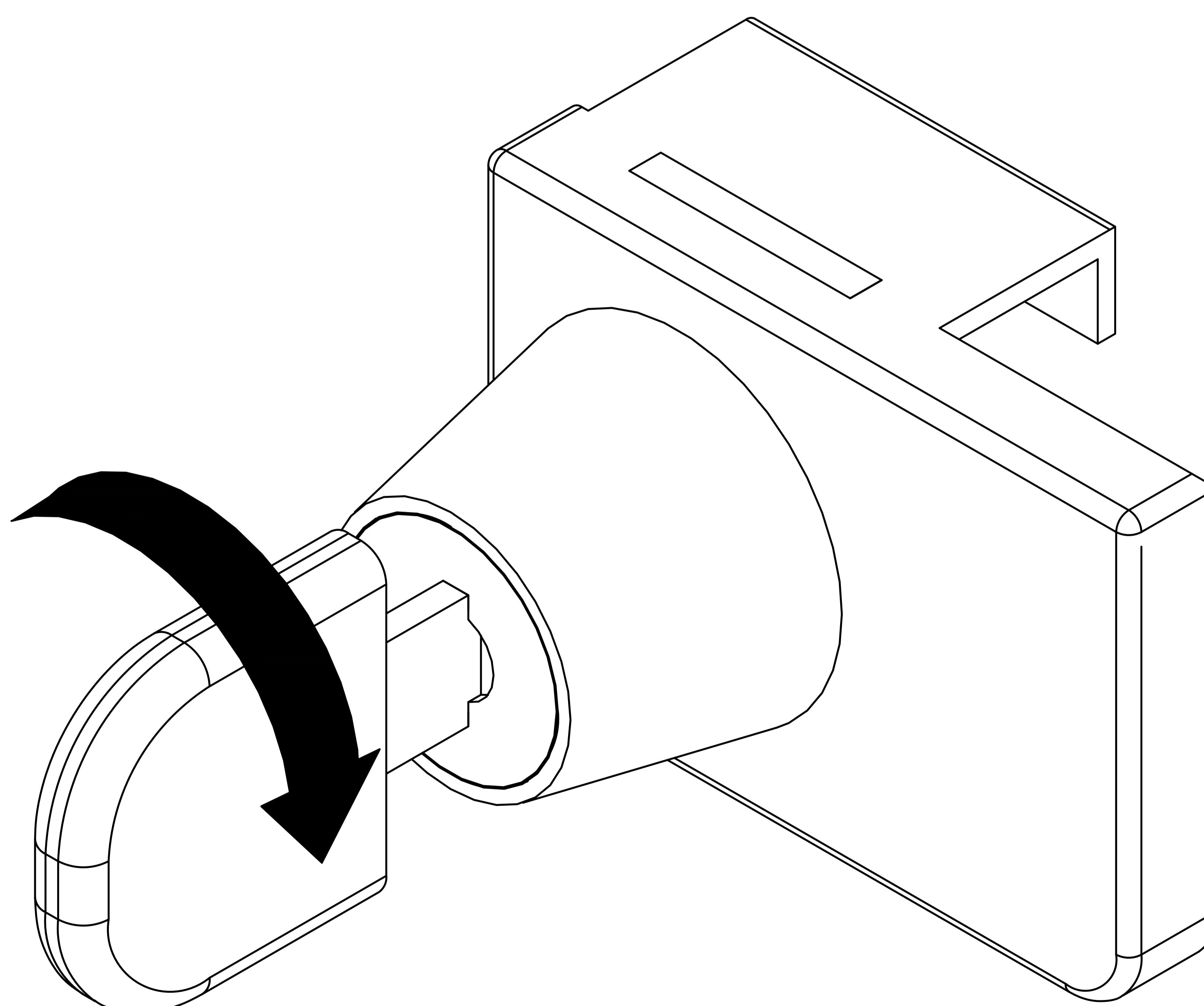
Locking screw



Tip: Turning the door lock to the right will close it

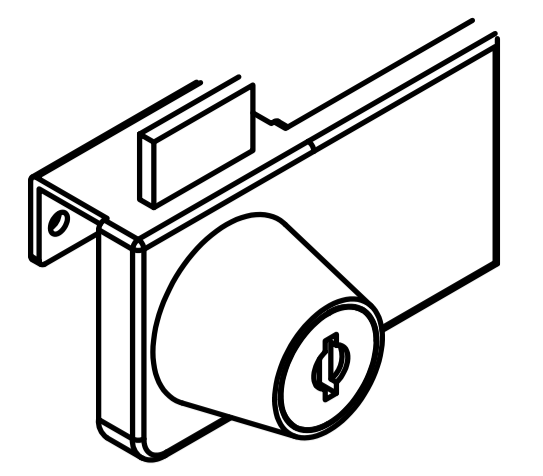


Tip: Turning the door lock to the left opens it

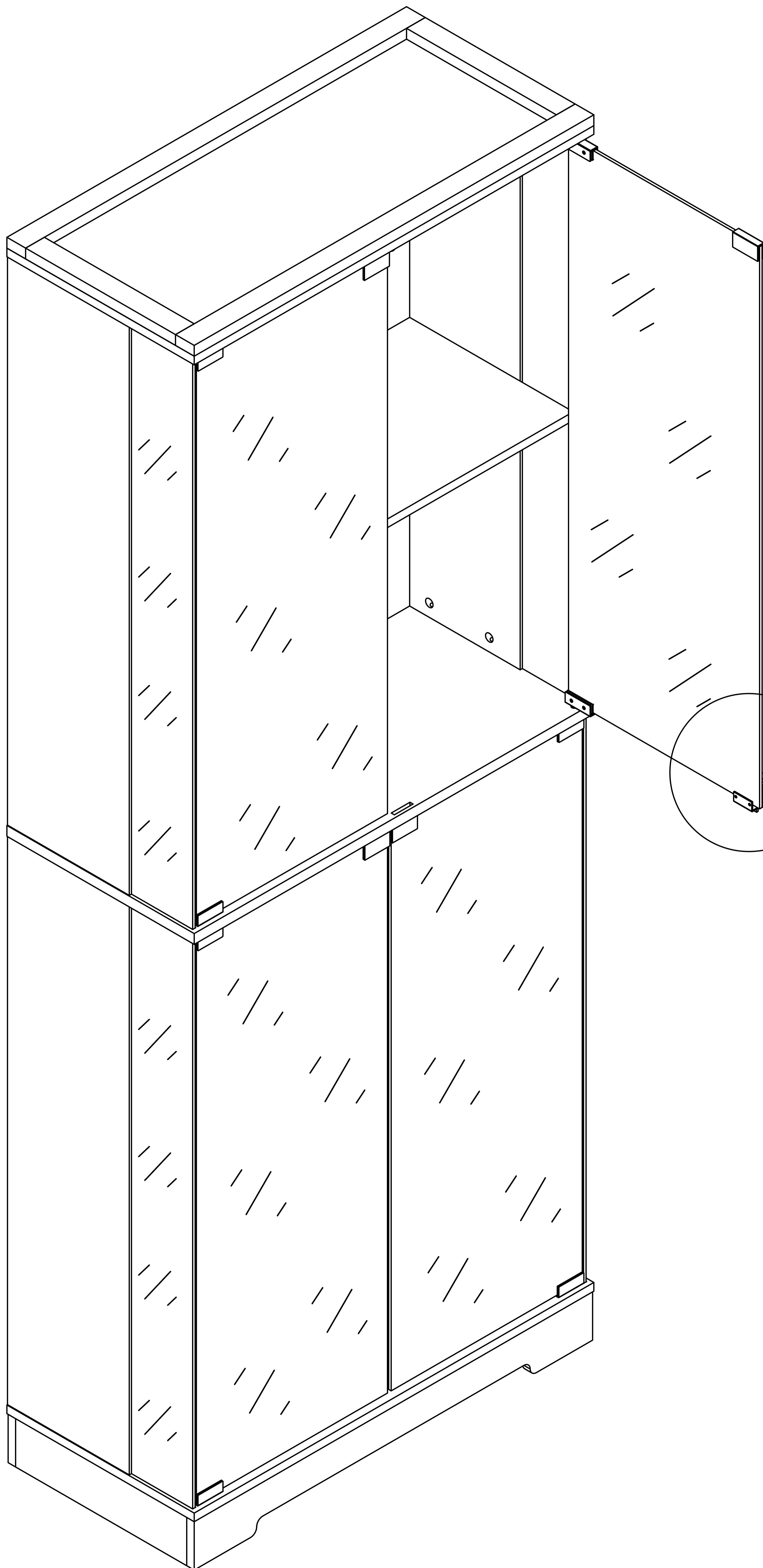


Step 32

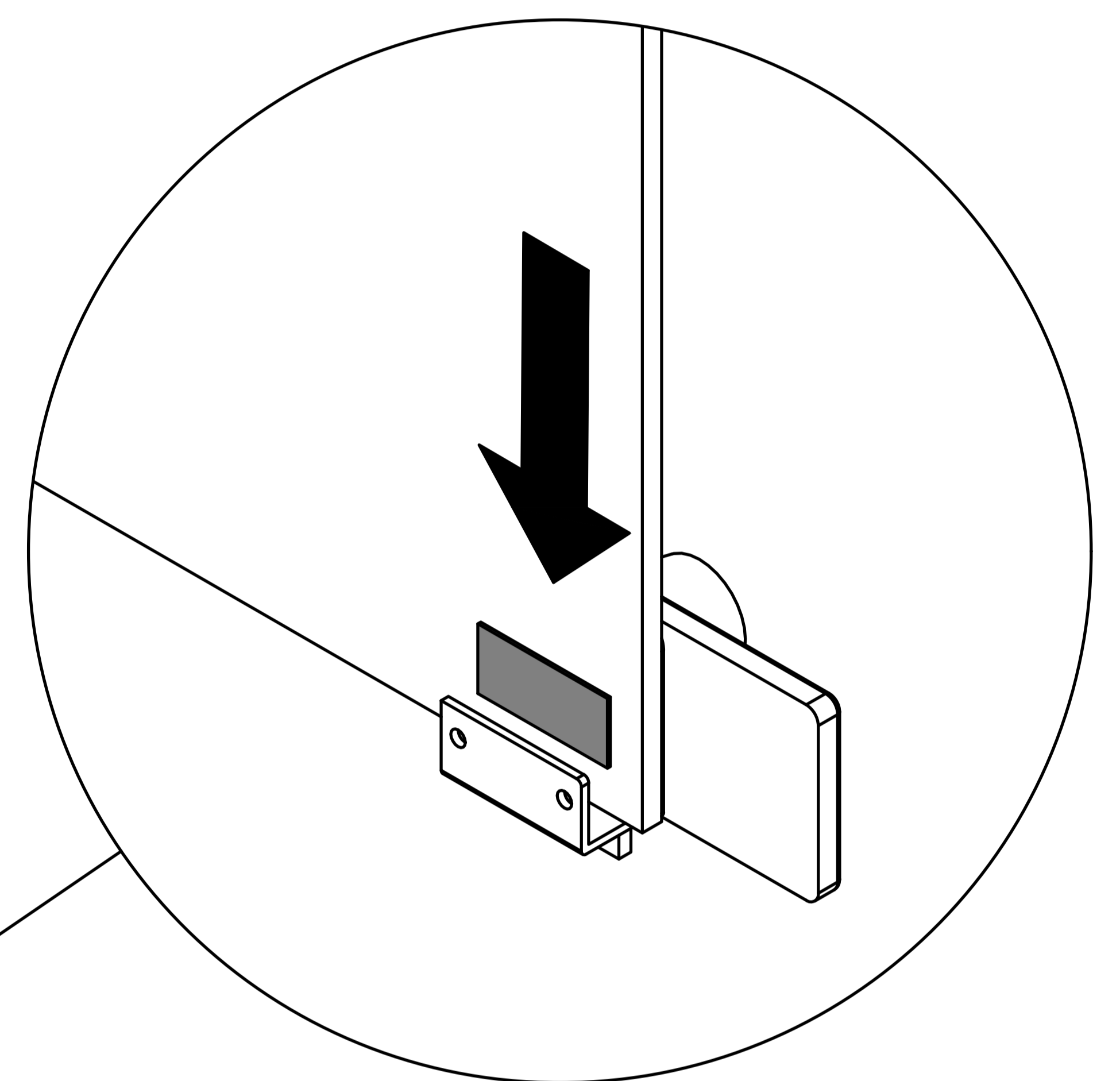
5



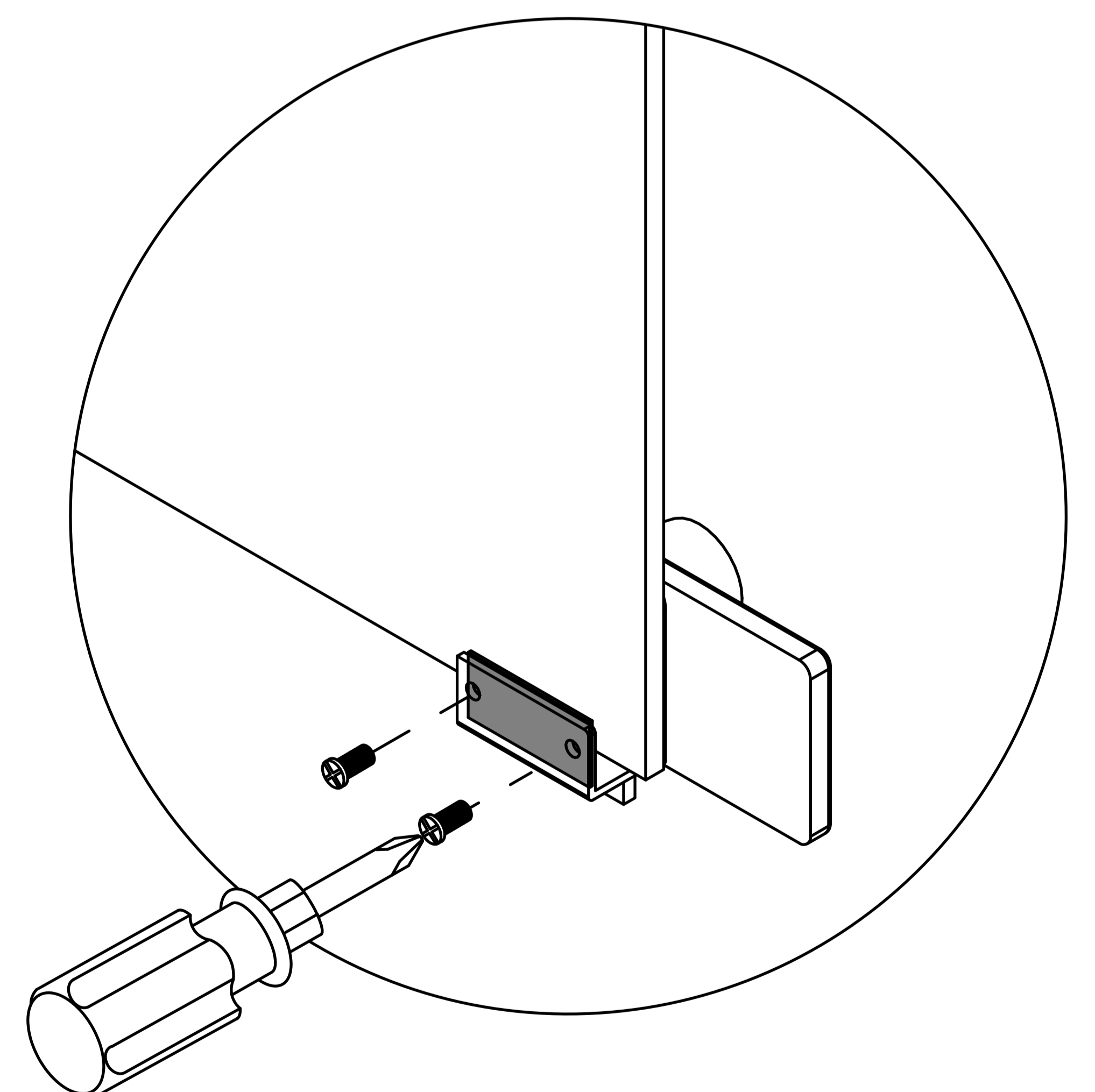
x1



first

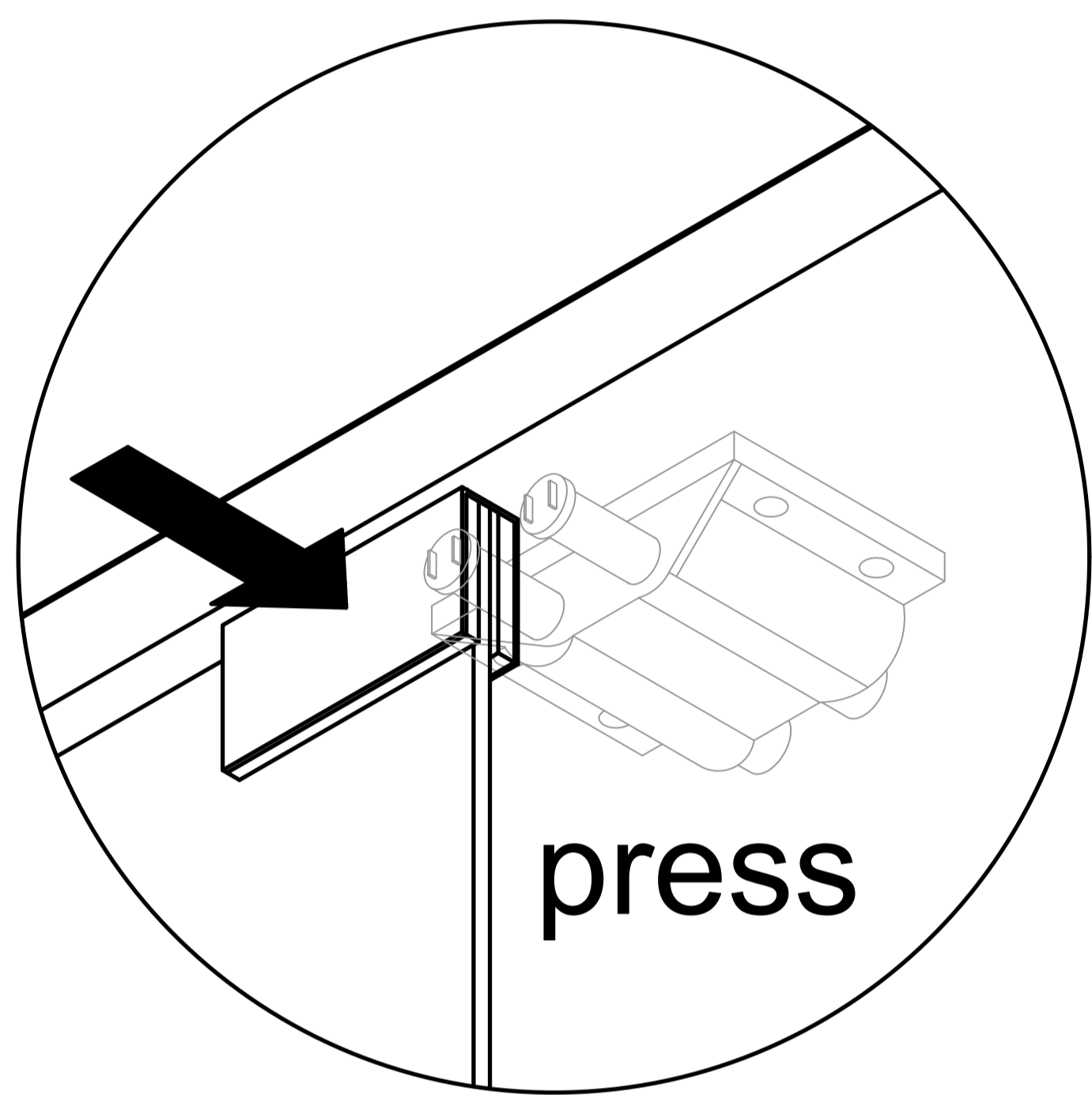


second

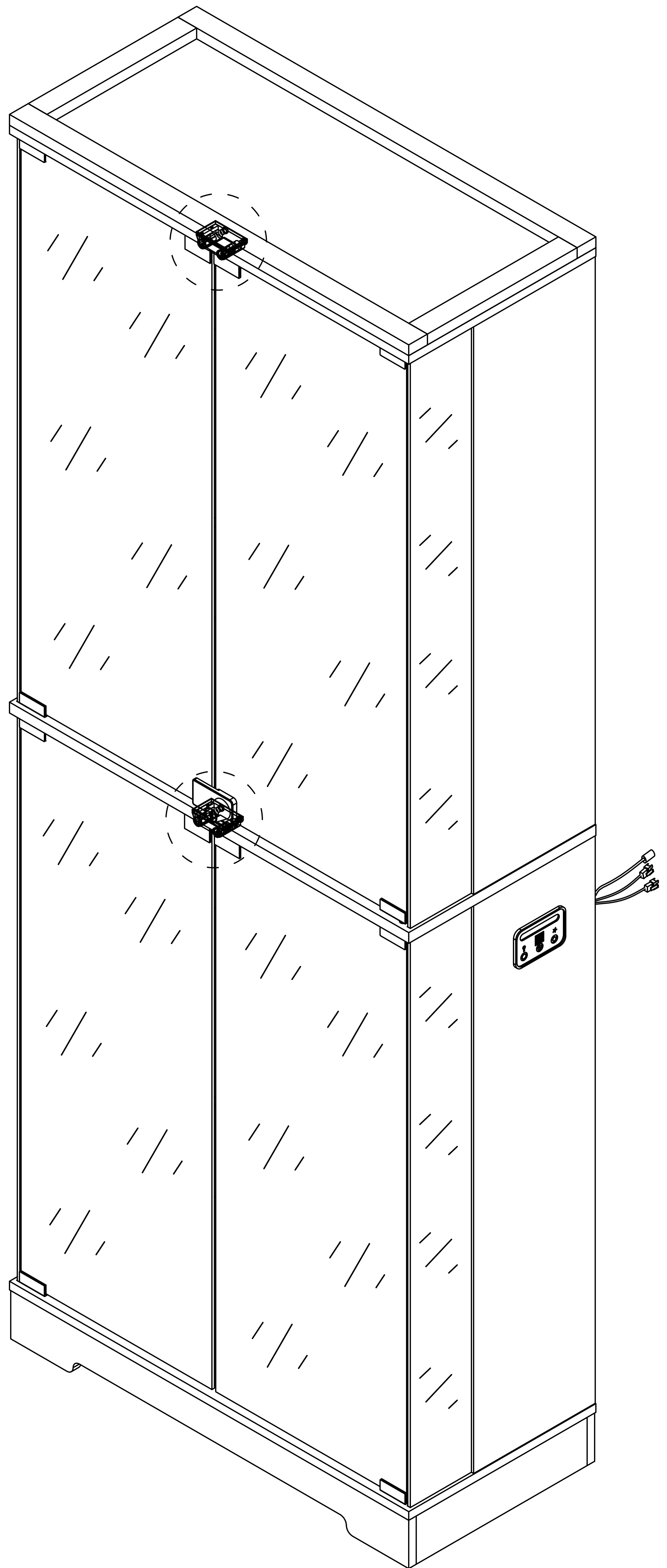
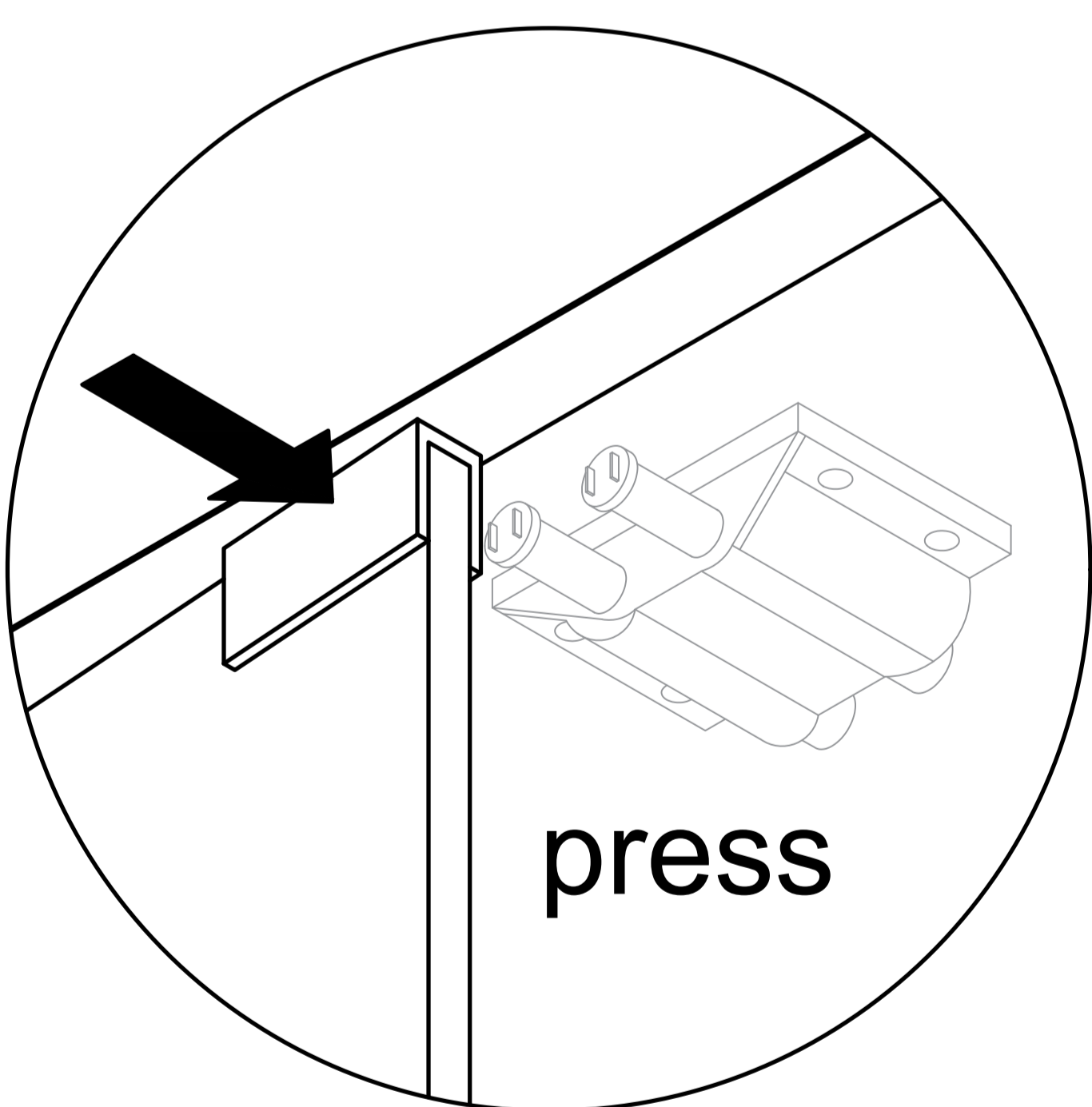


Step 33

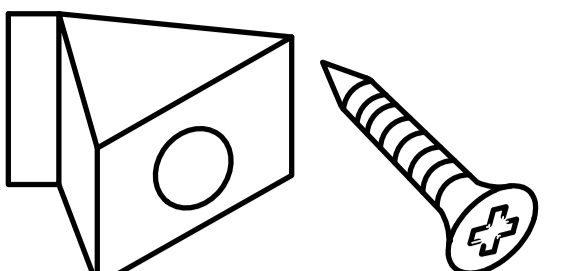
Open the glass door

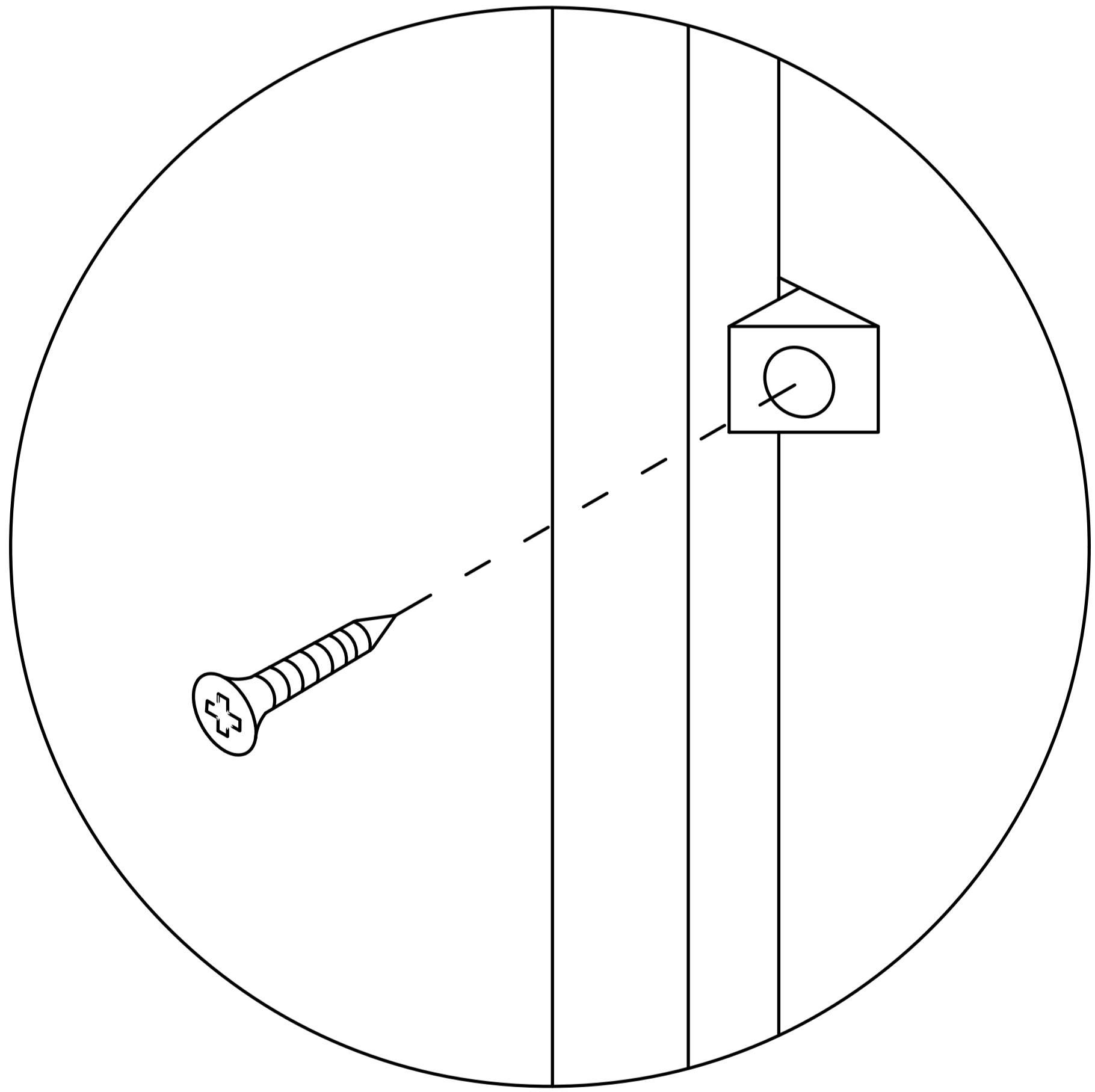
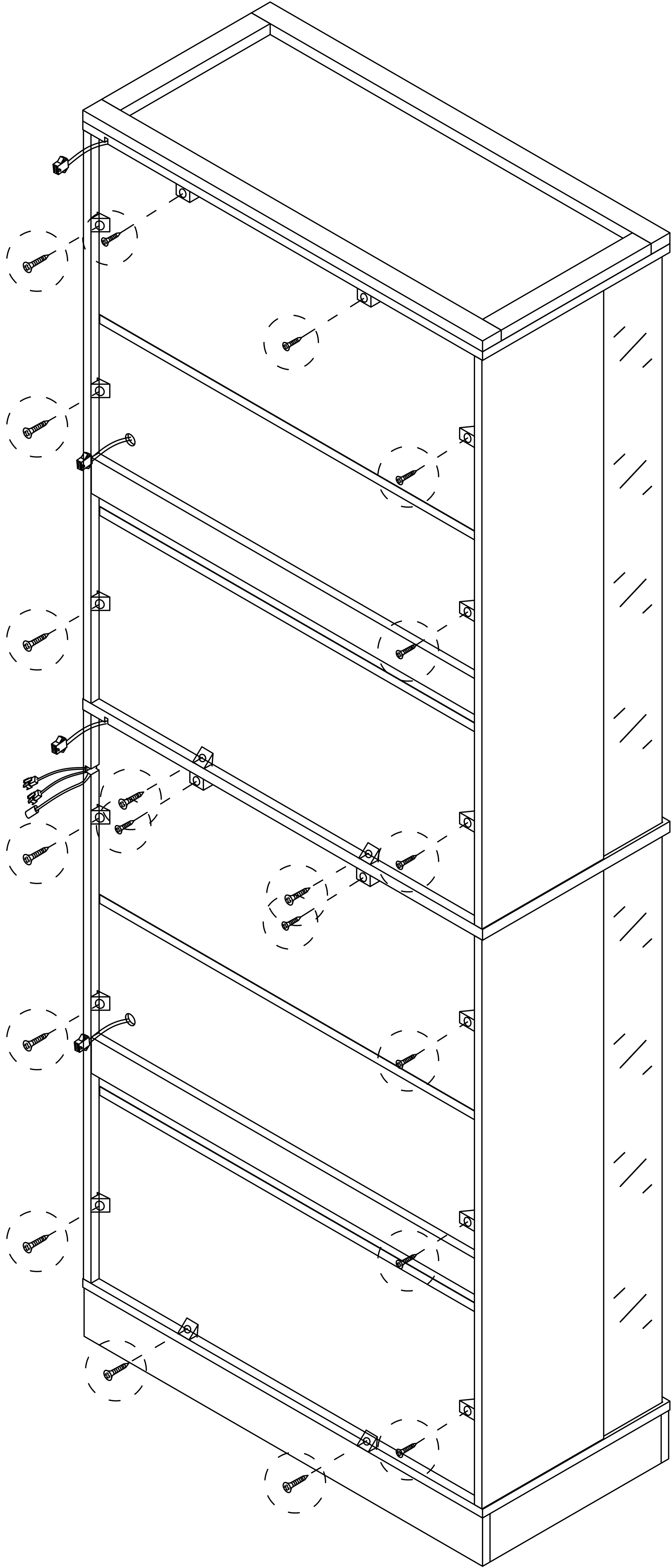


Close the glass door

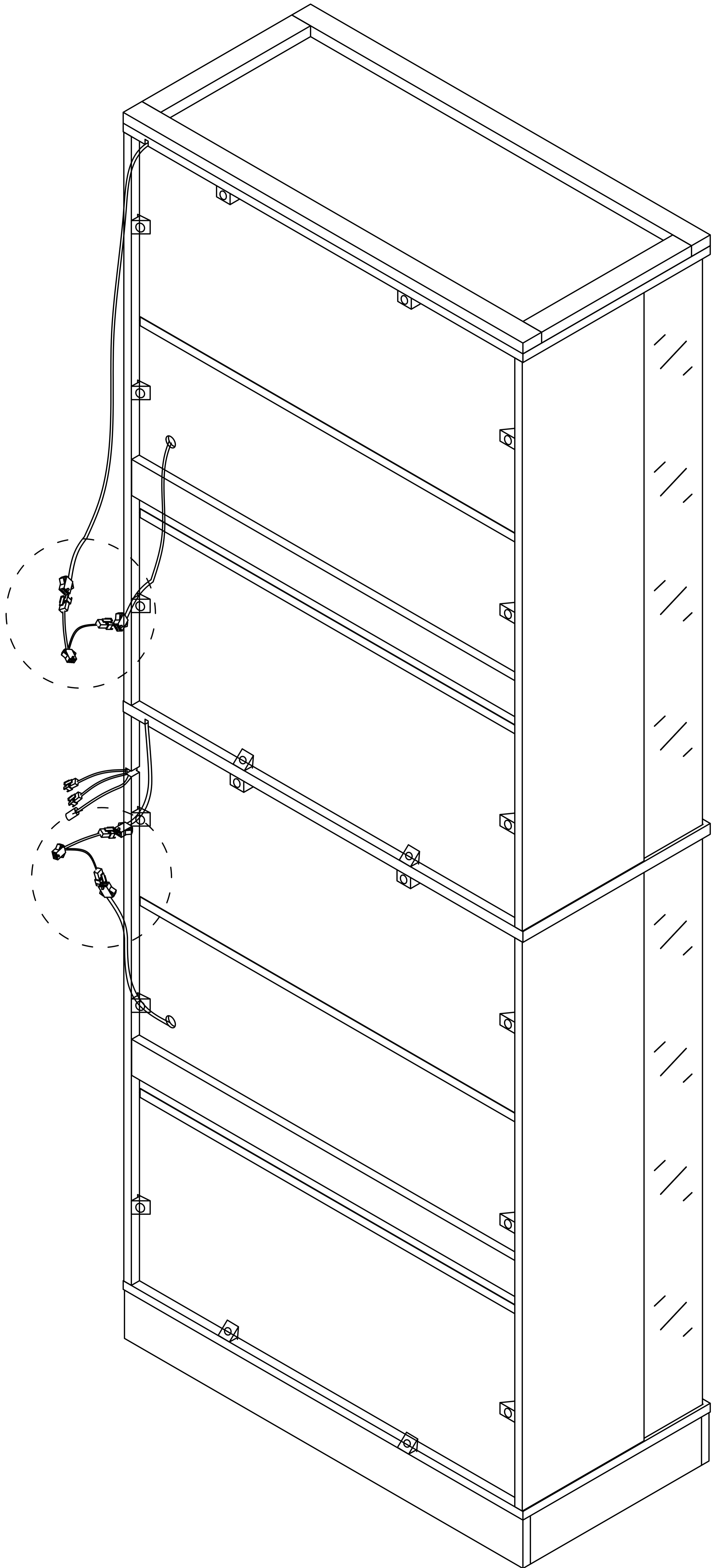
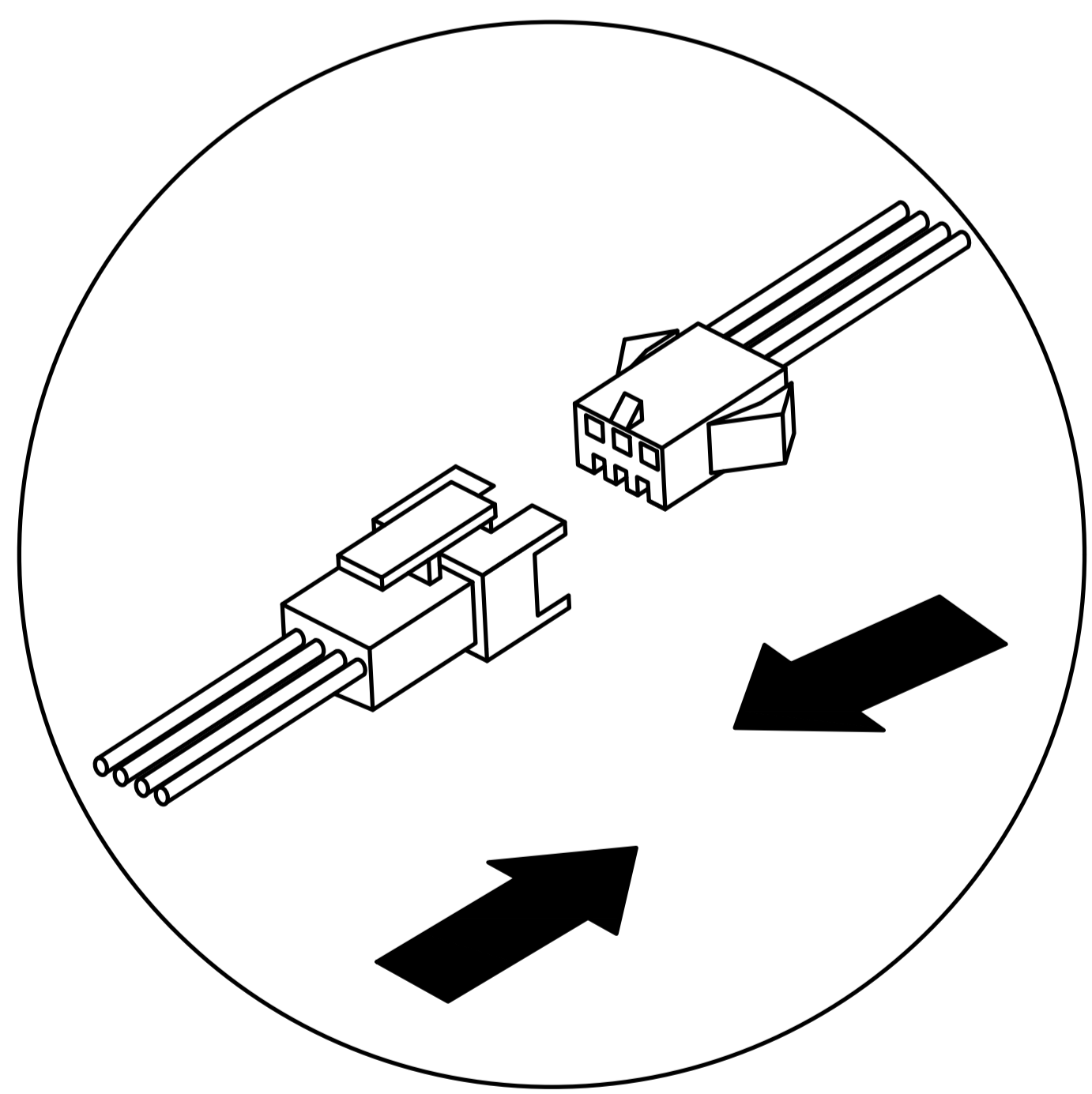
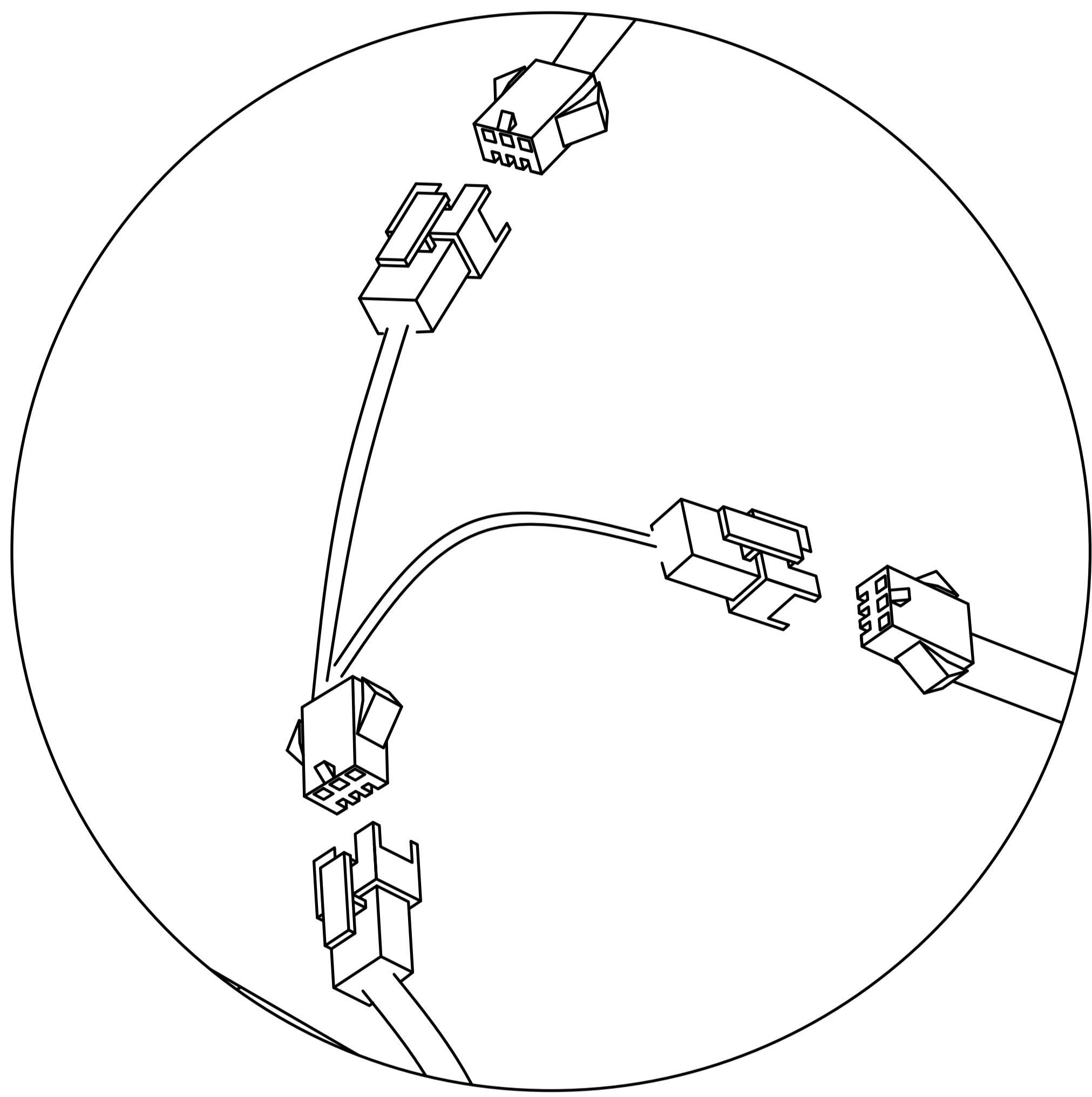
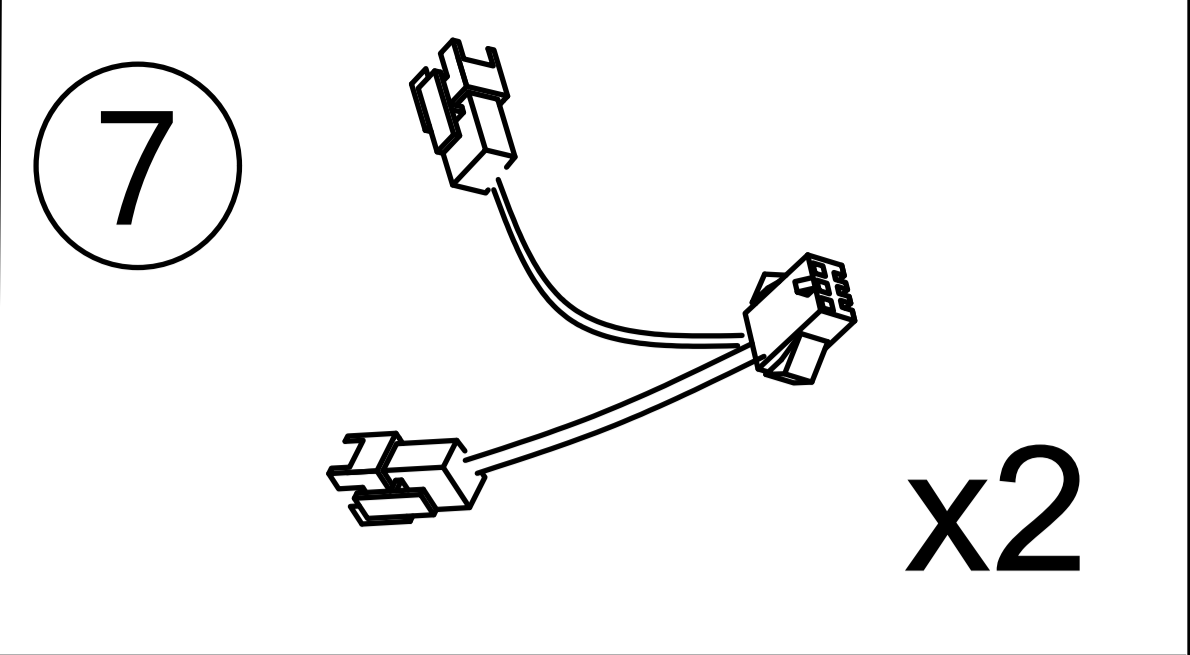


Step 34

6  x20

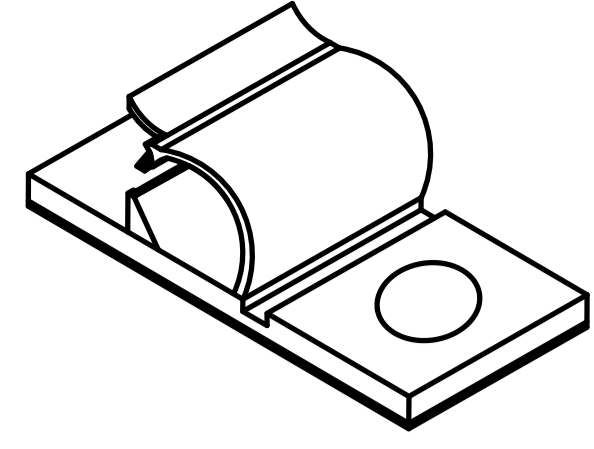


Step 35

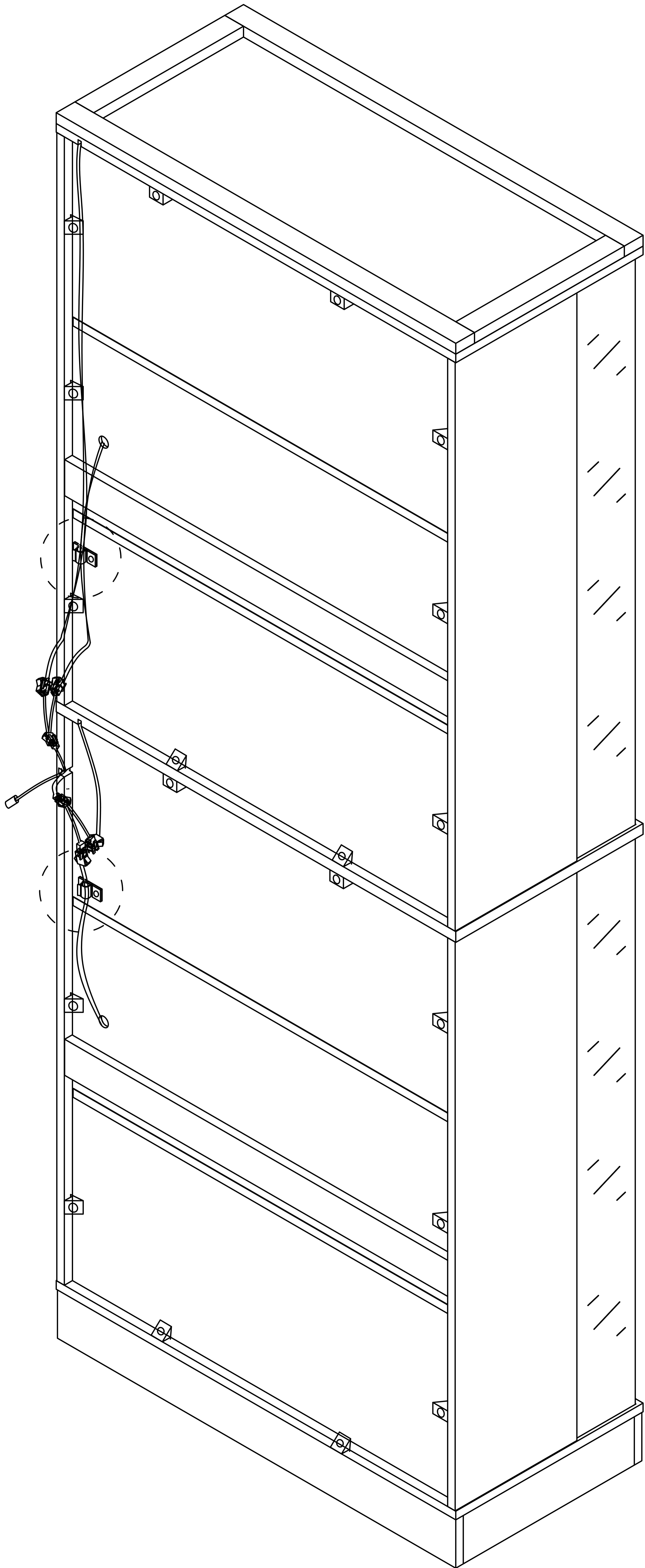
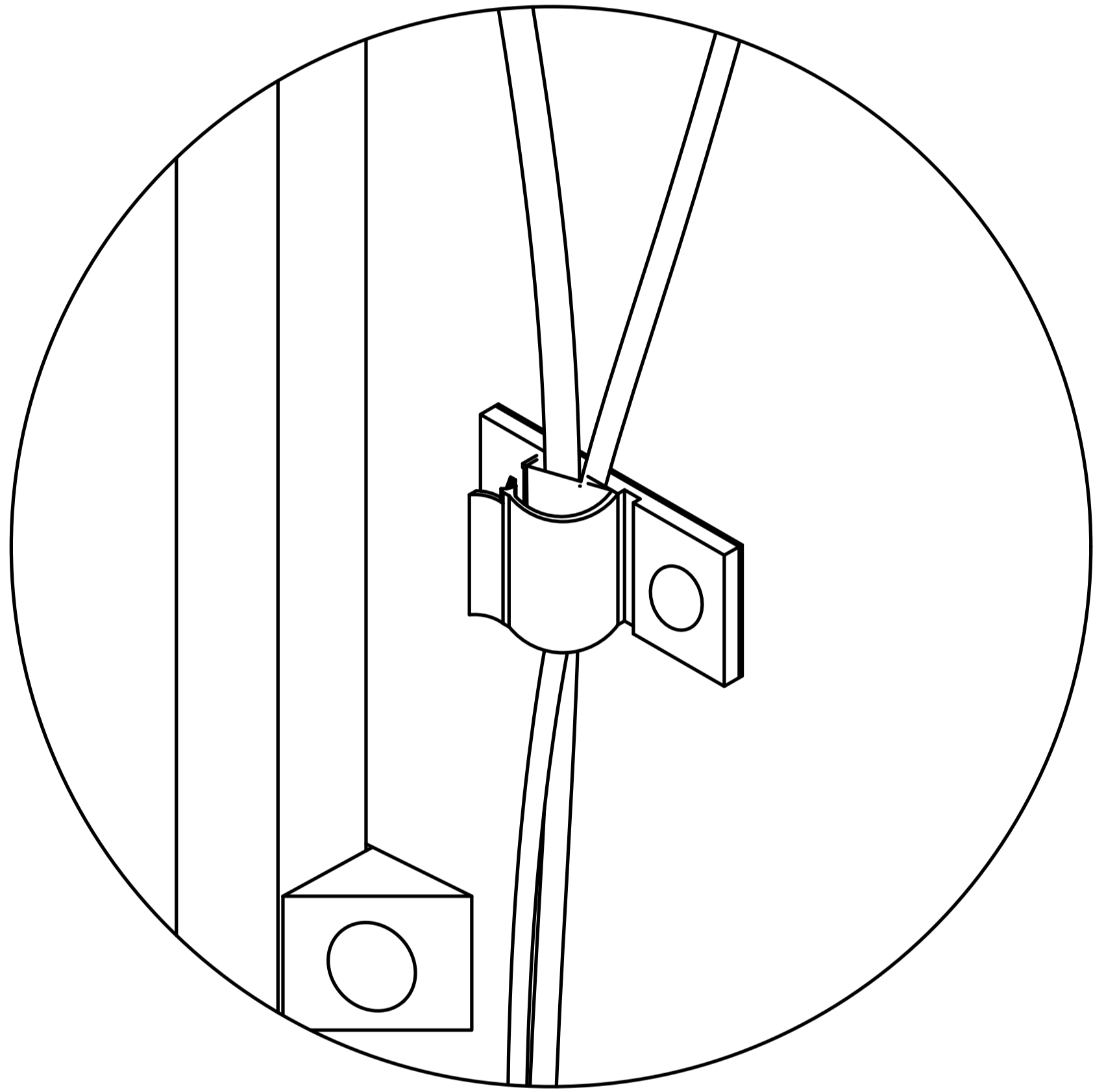


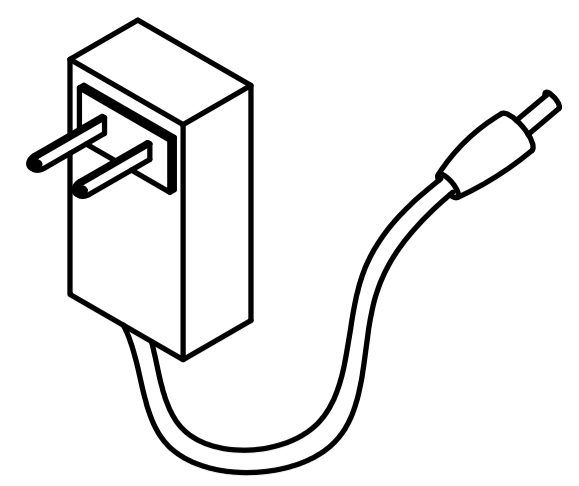
Step 36

8



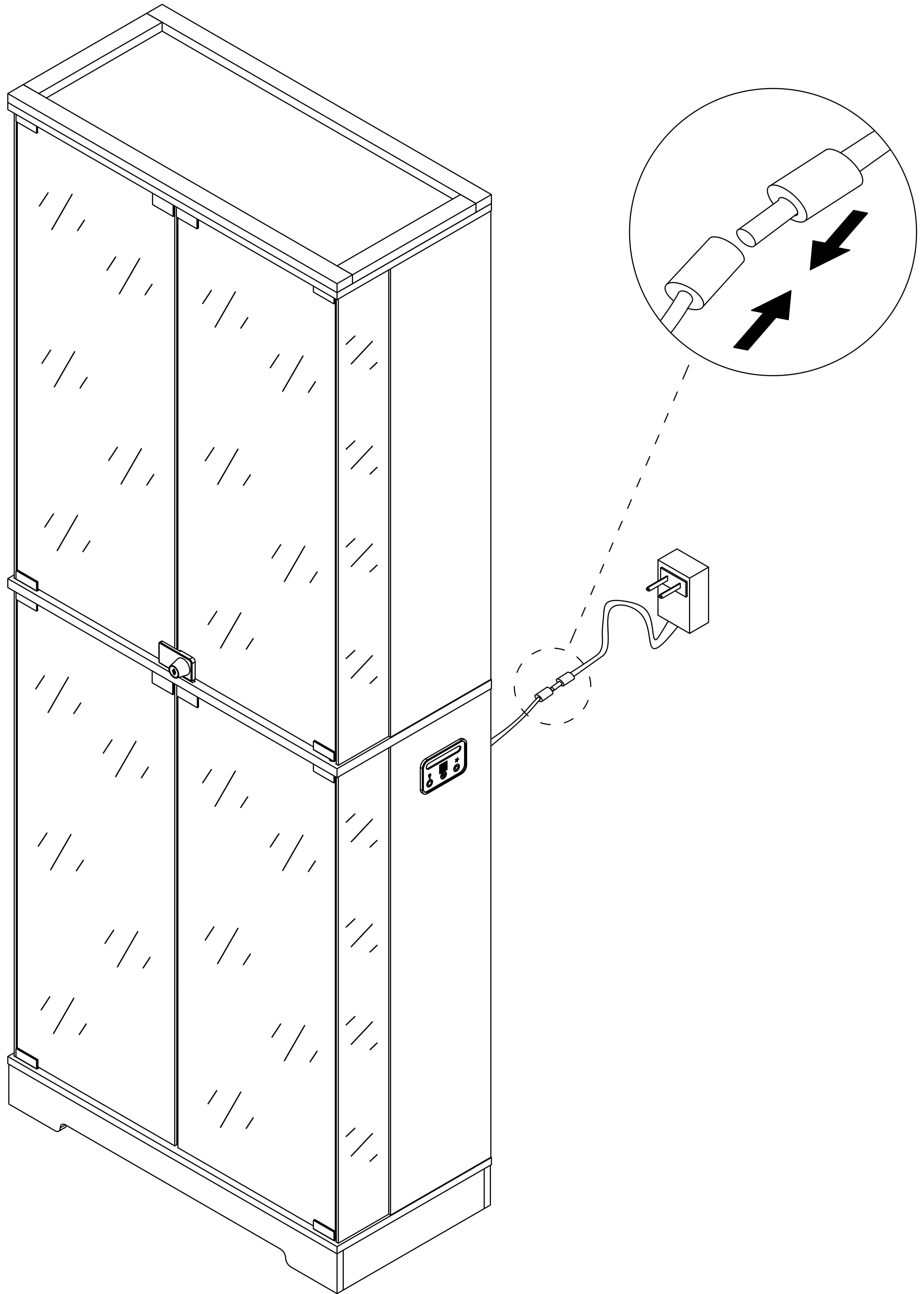
x2





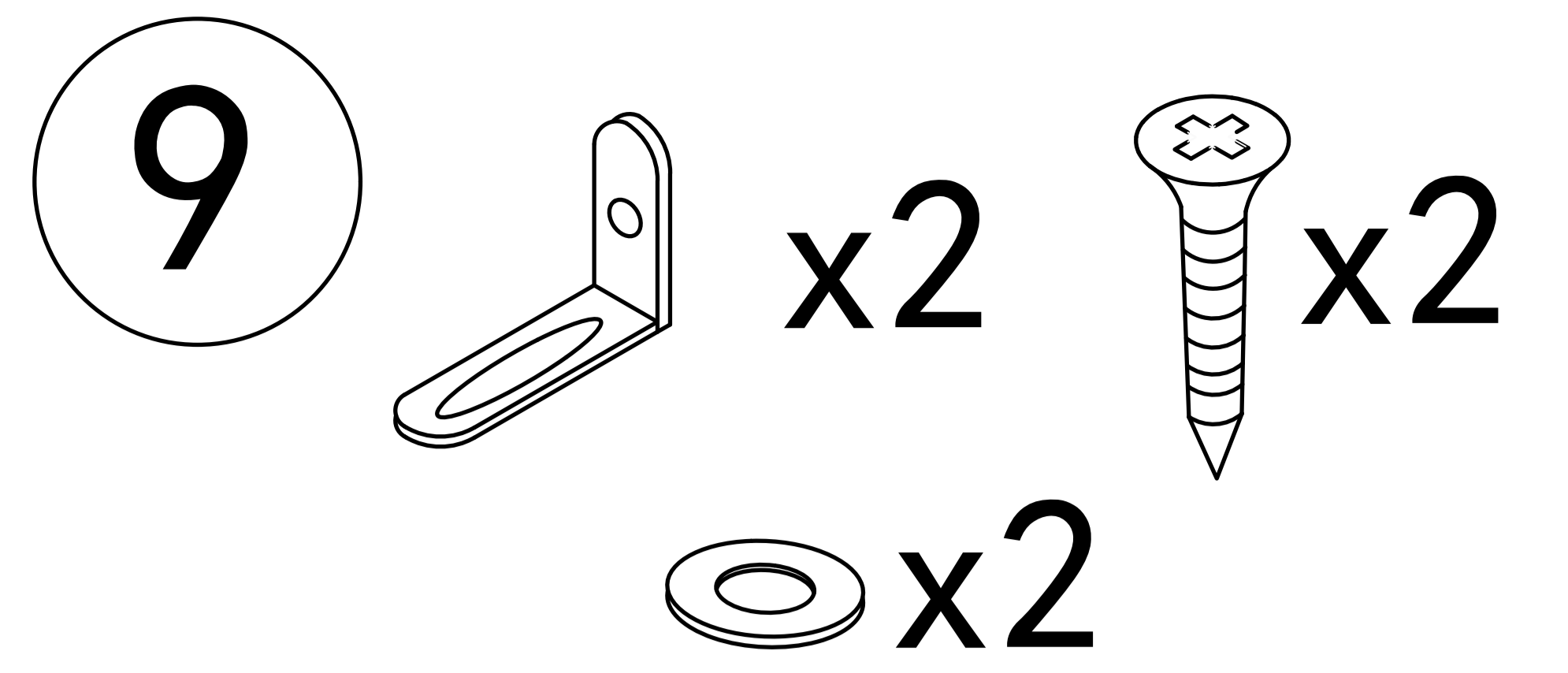
x1

Step 37

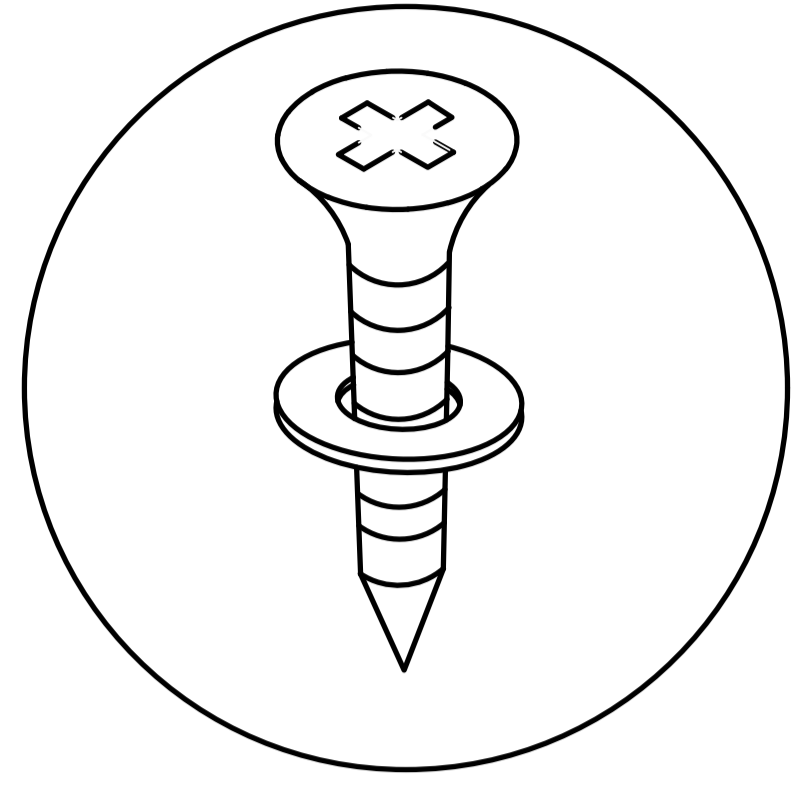


Step 38

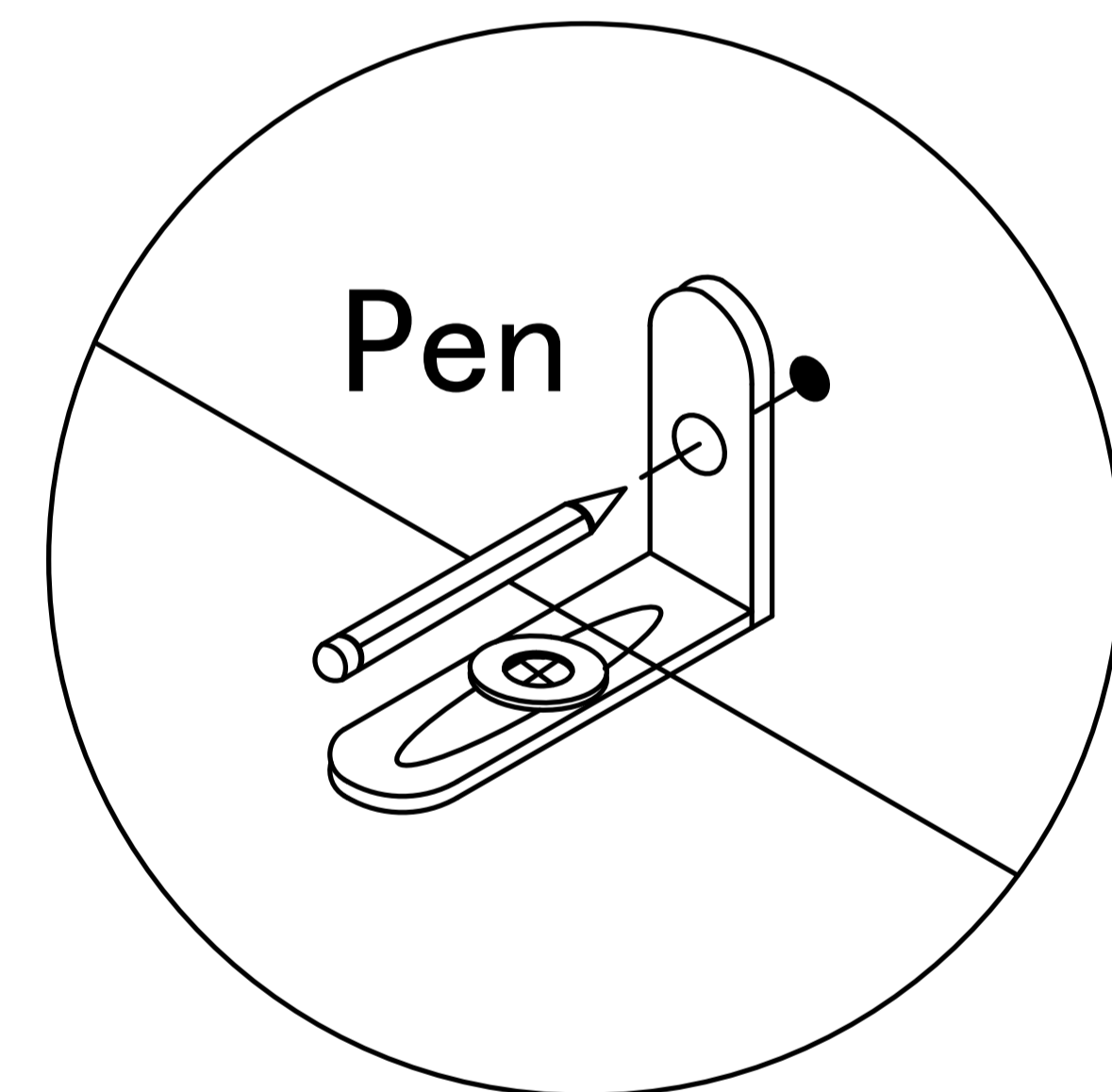
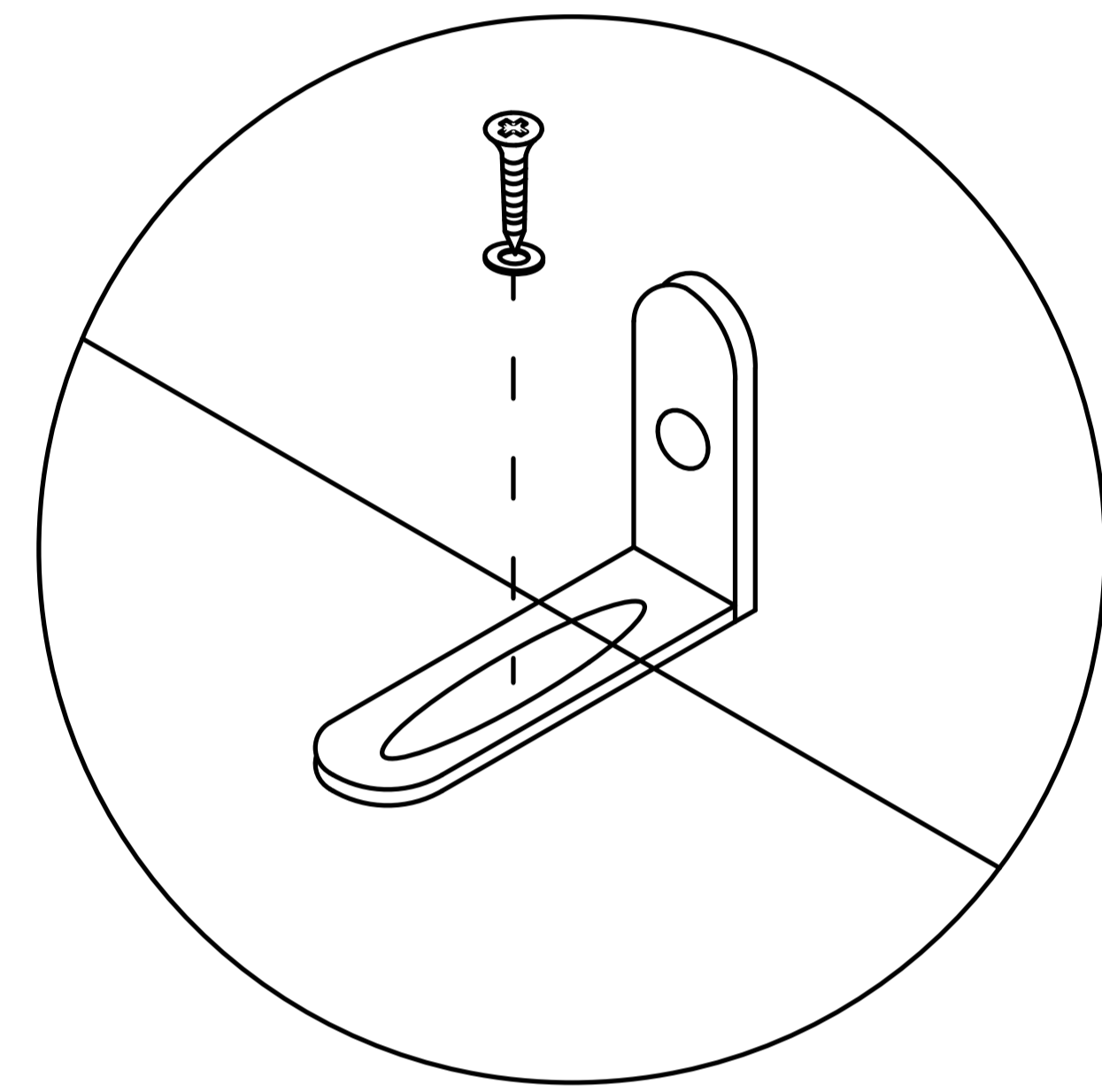
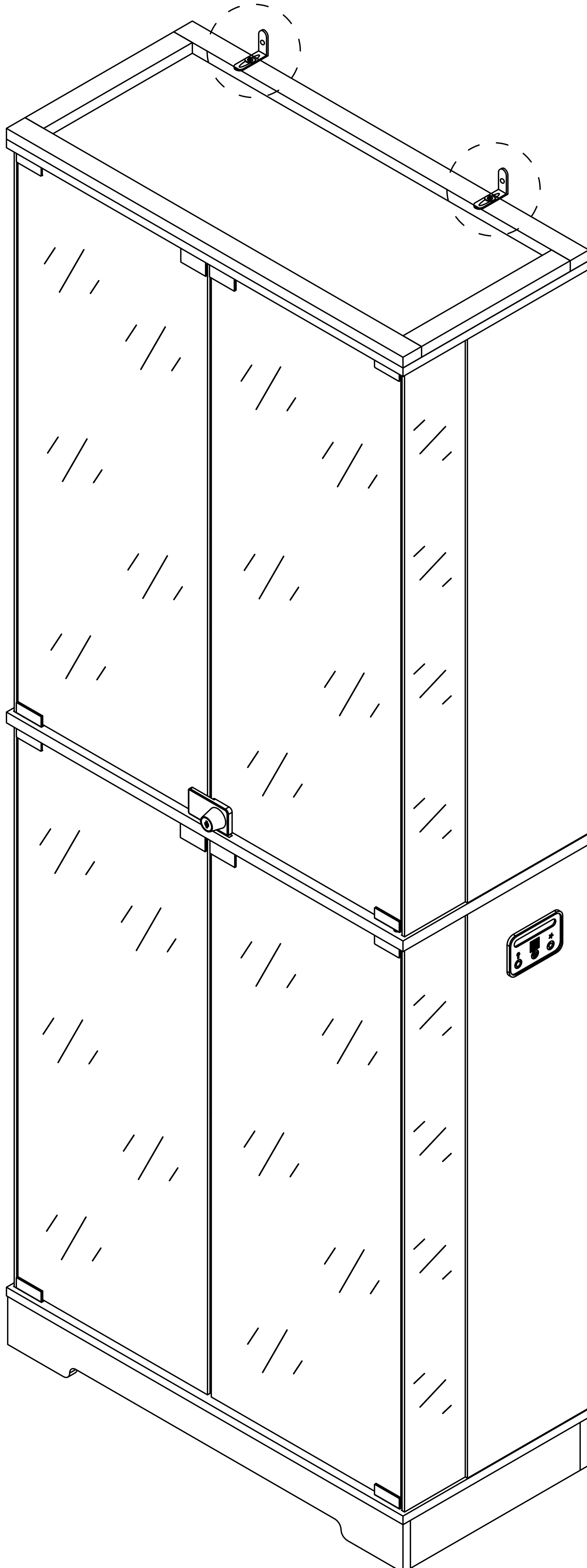
Install as required



3.5x14mm




Install the anti fall hardware on the cabinet as shown in the picture first

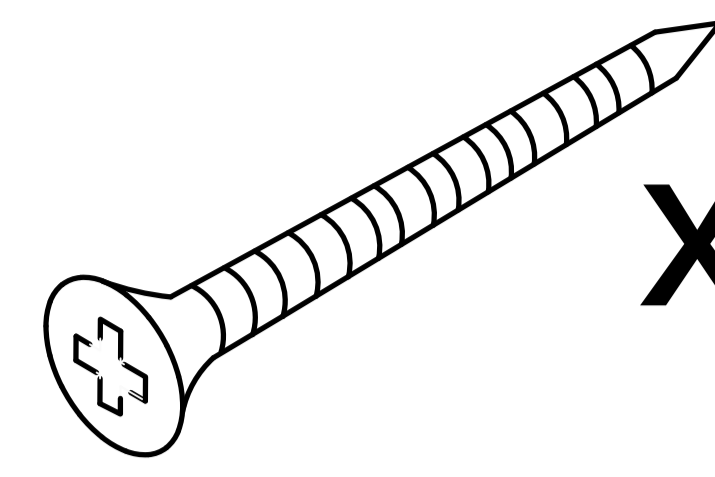
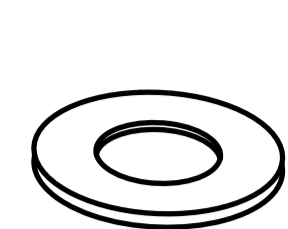


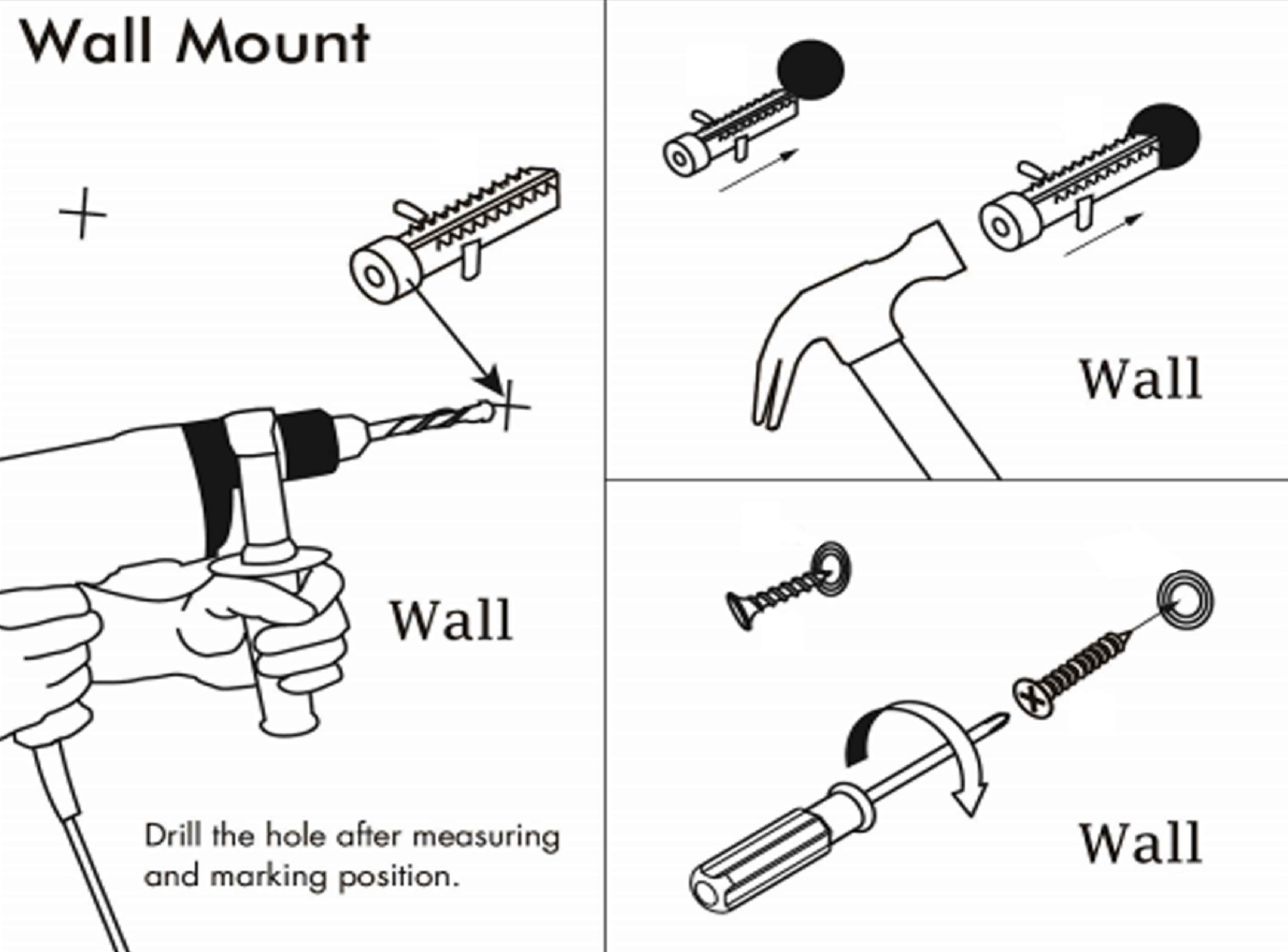
Then mark the wall with a pen through the holes in the anti-fall hardware

Step 39

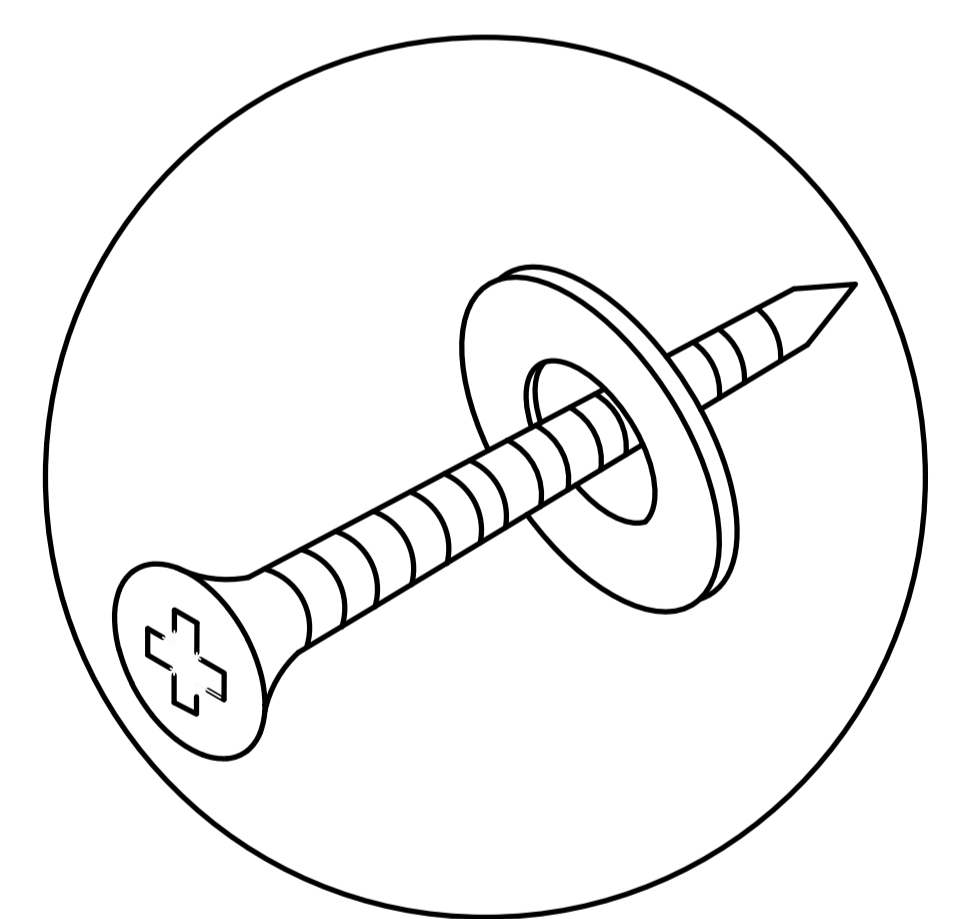
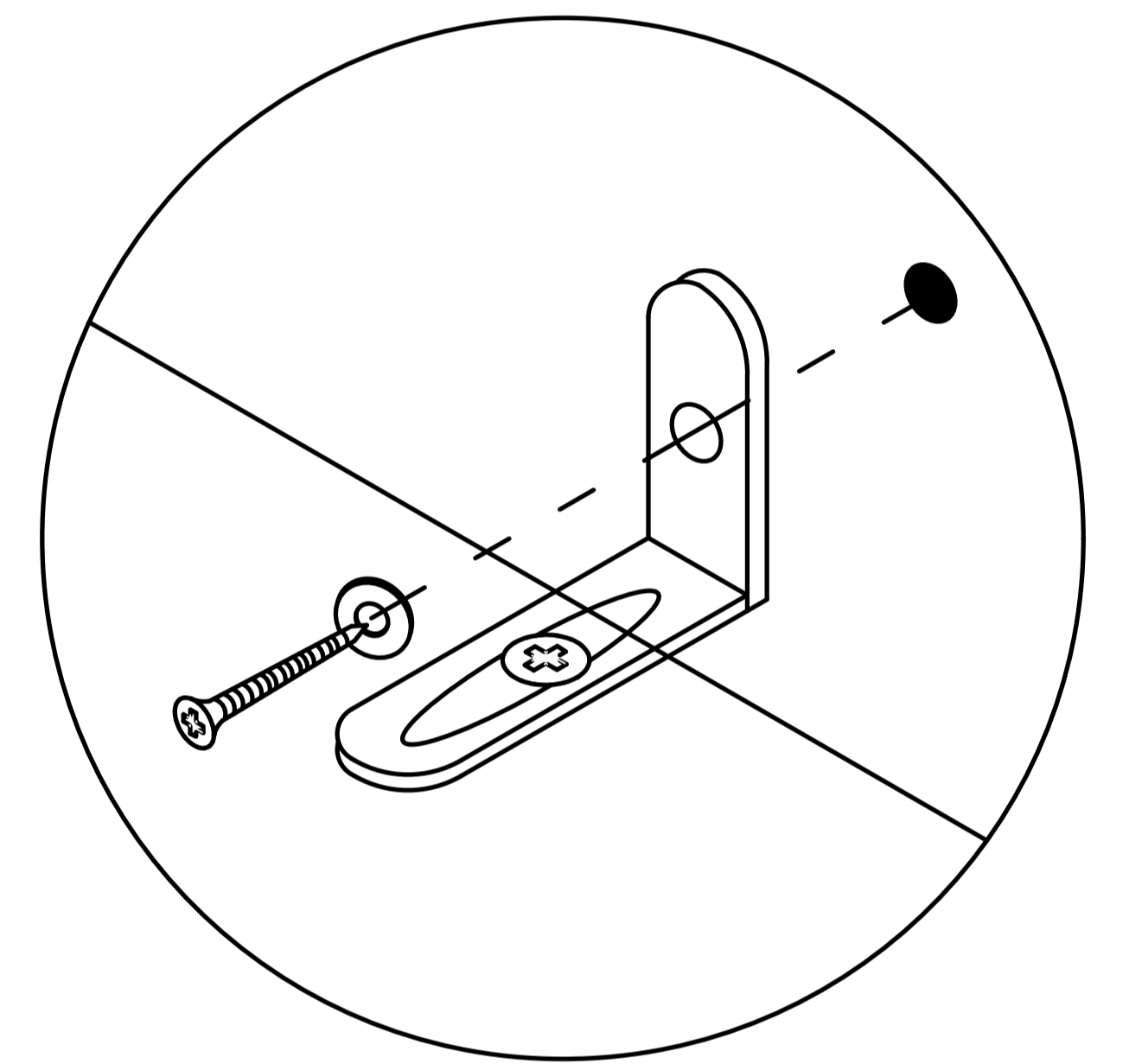
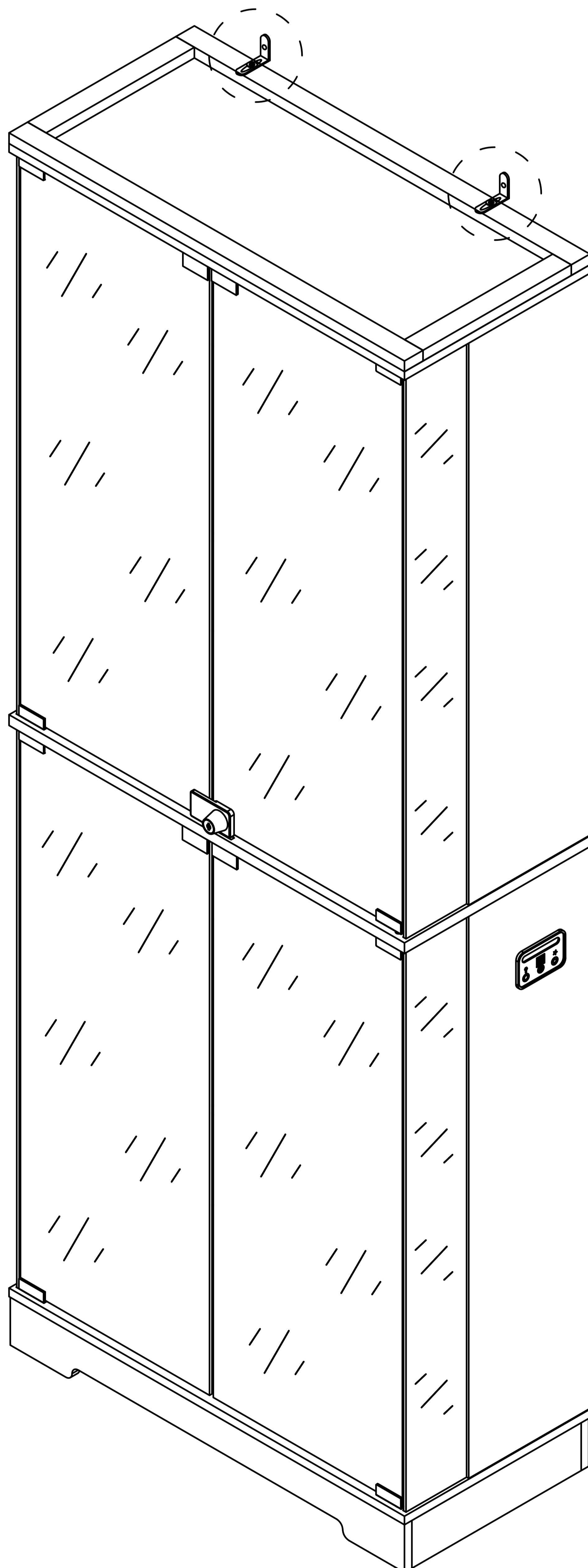
9

 x2

 x2  x2

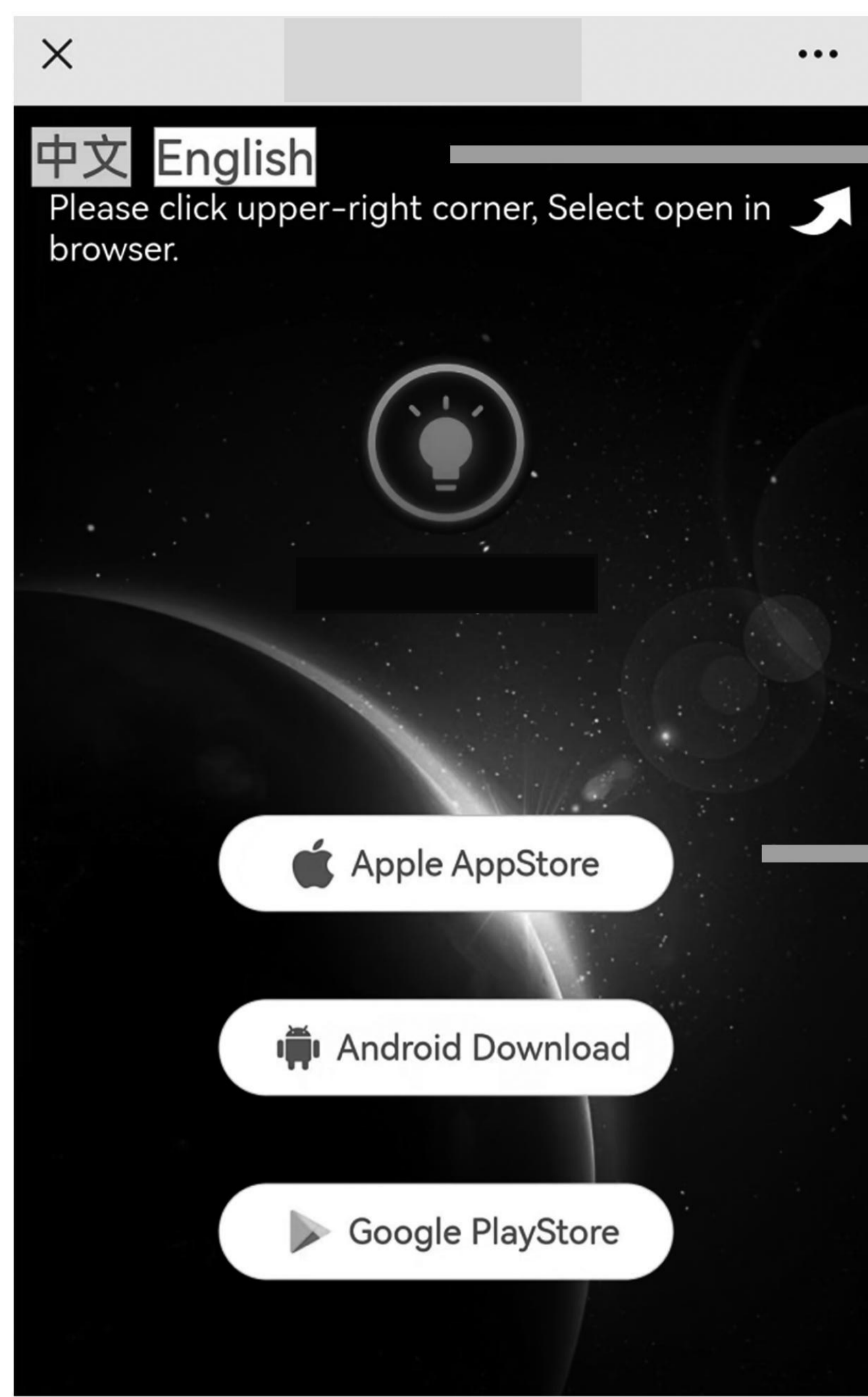


Drill the hole with an electric drill and punch in the coloidal particles



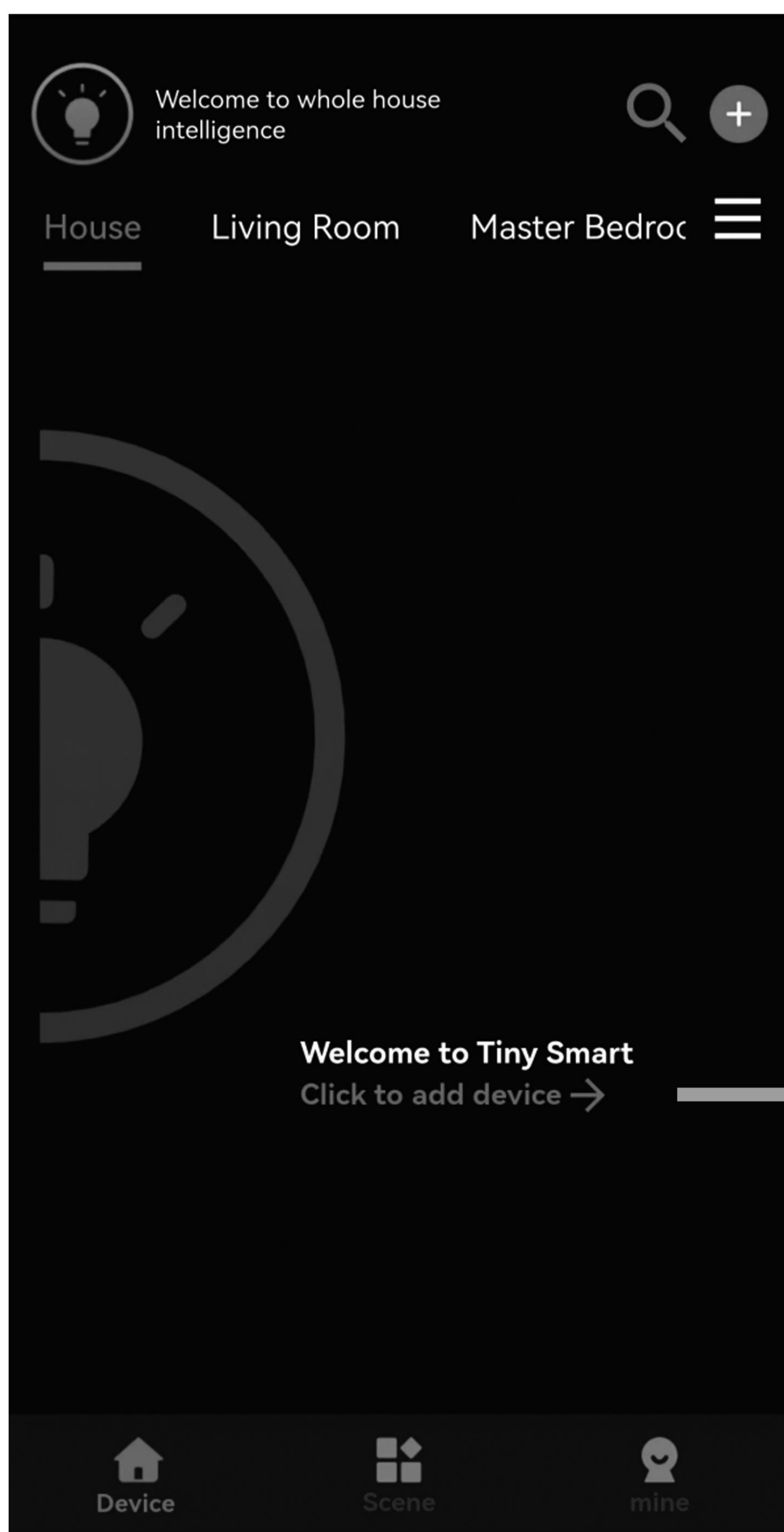
4x45mm

Fix the dressing table to the wall

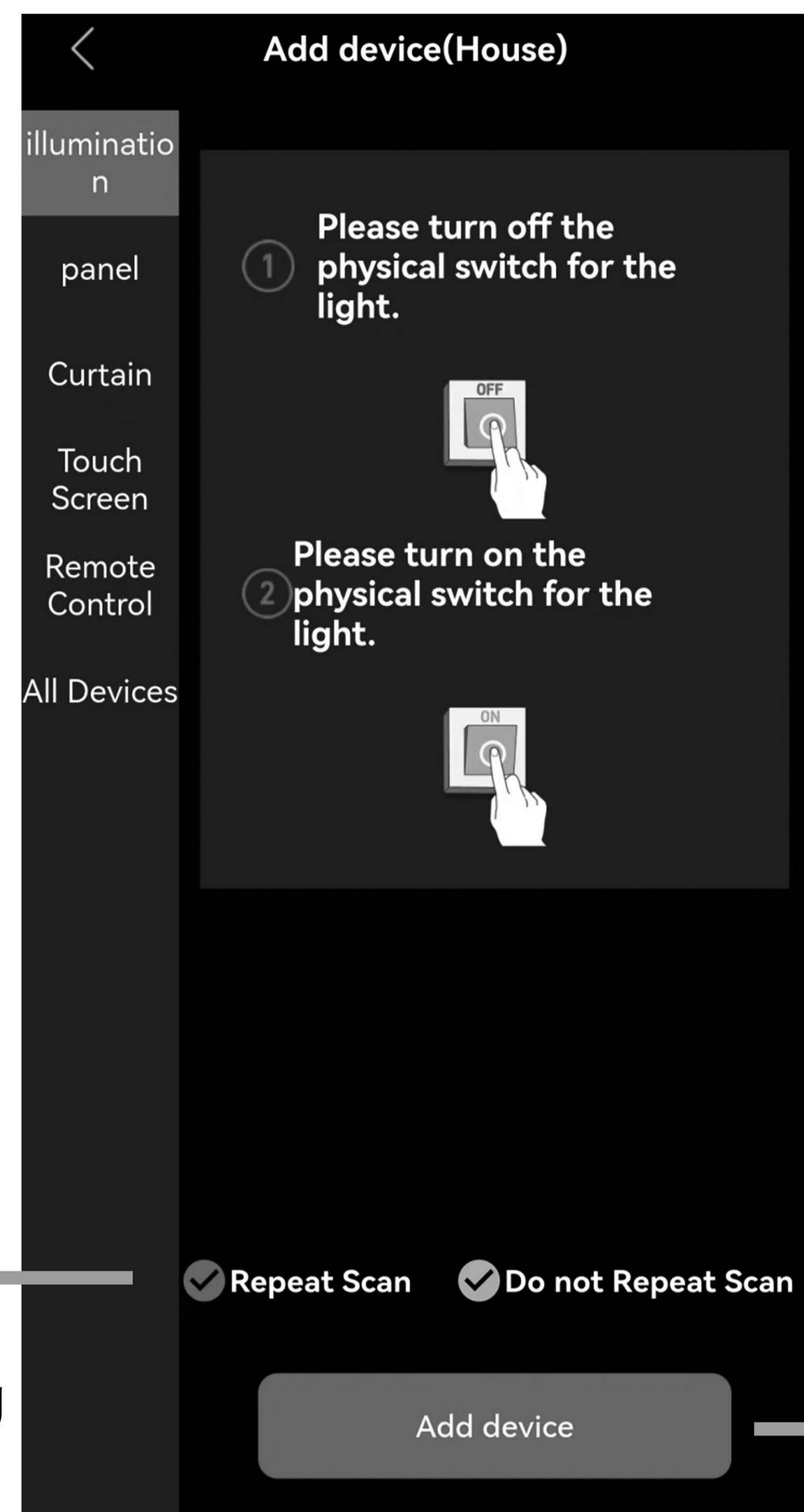


Select English Language

Select the corresponding device to download.
Note: If the download fails, please turn off the "Enhanced Protection" in the Pure Mode settings of the device.



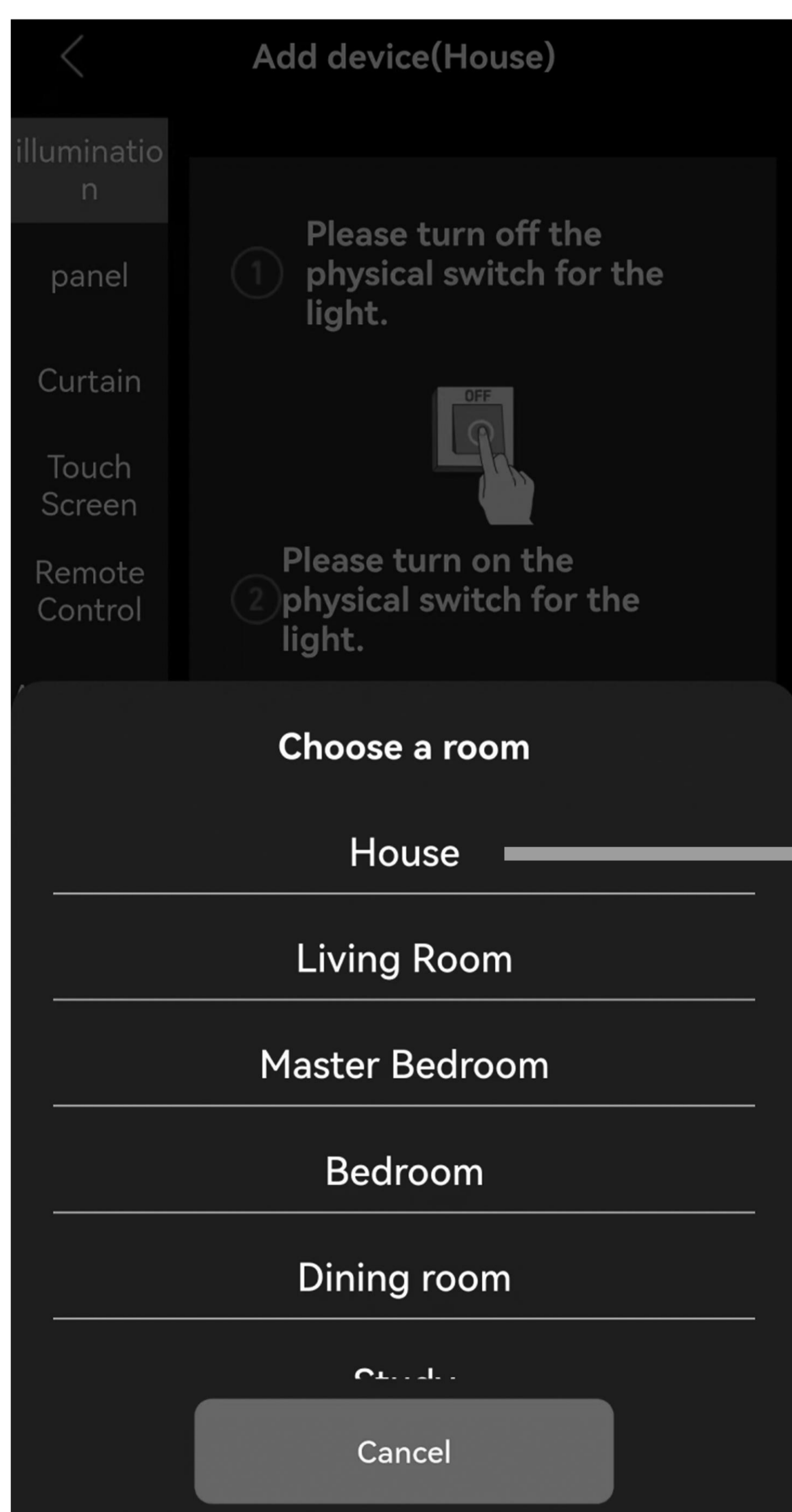
1



2

It turns blue after clicking

3

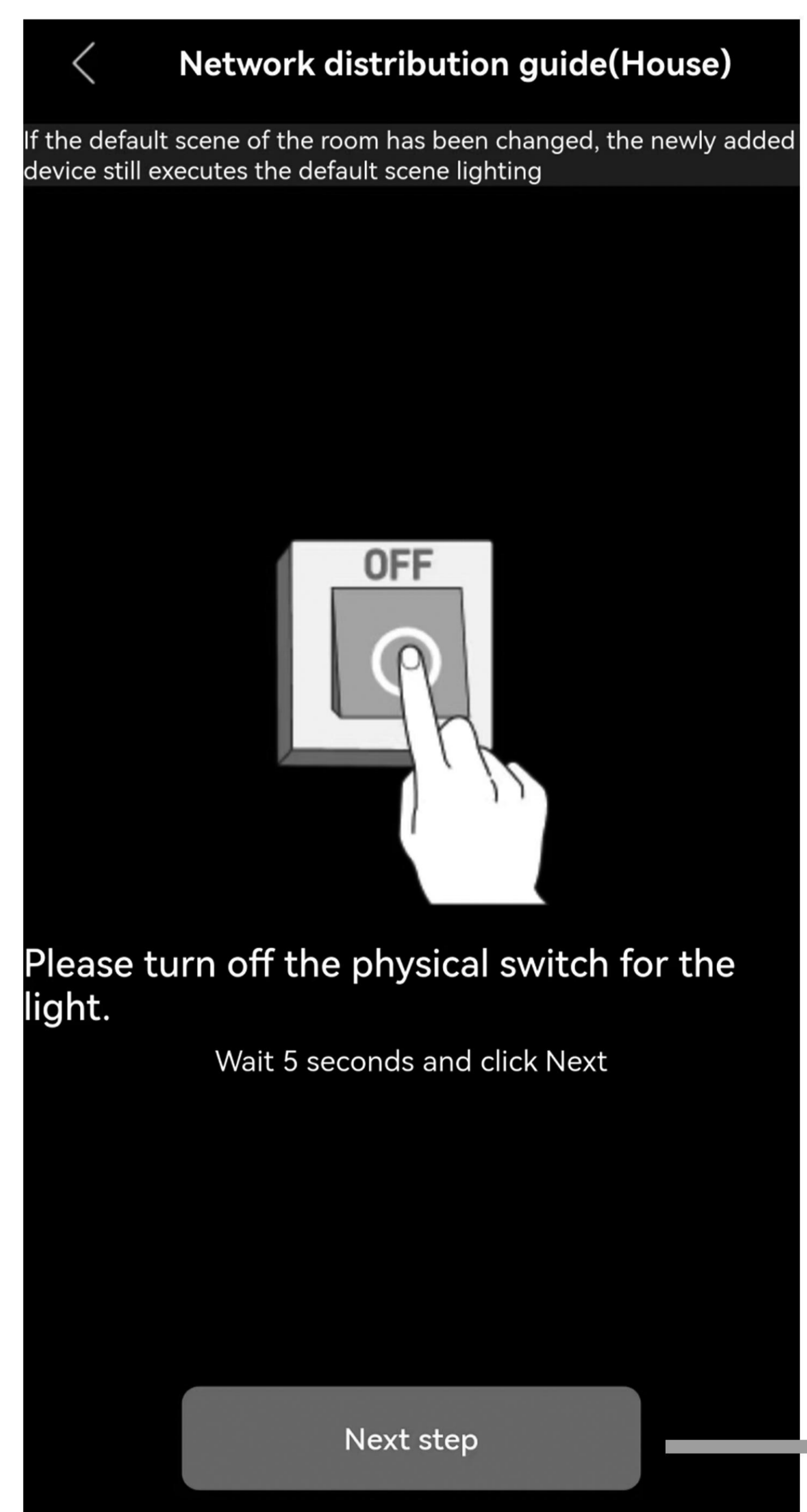


4



5

Unplug the smart box

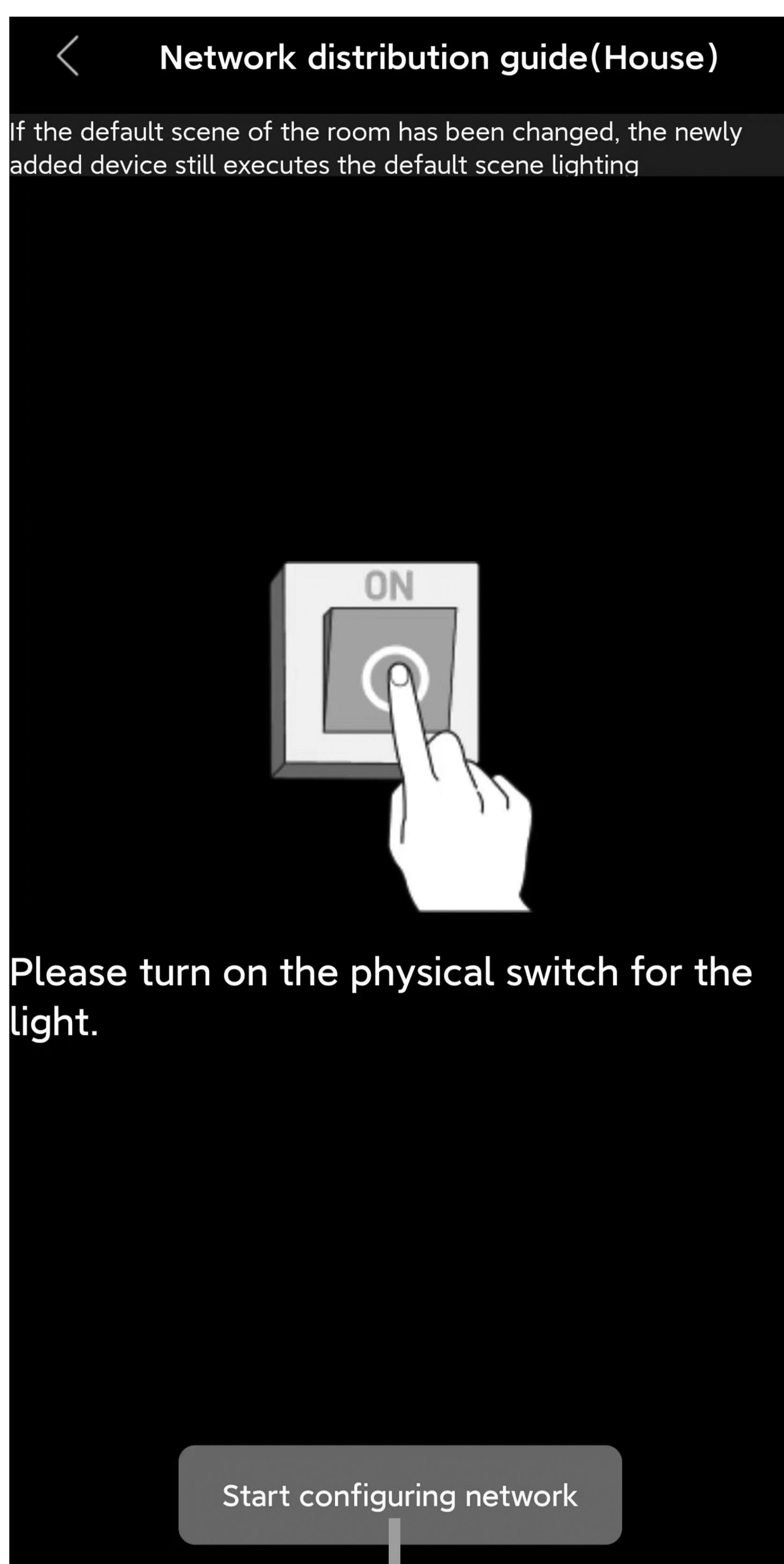


6

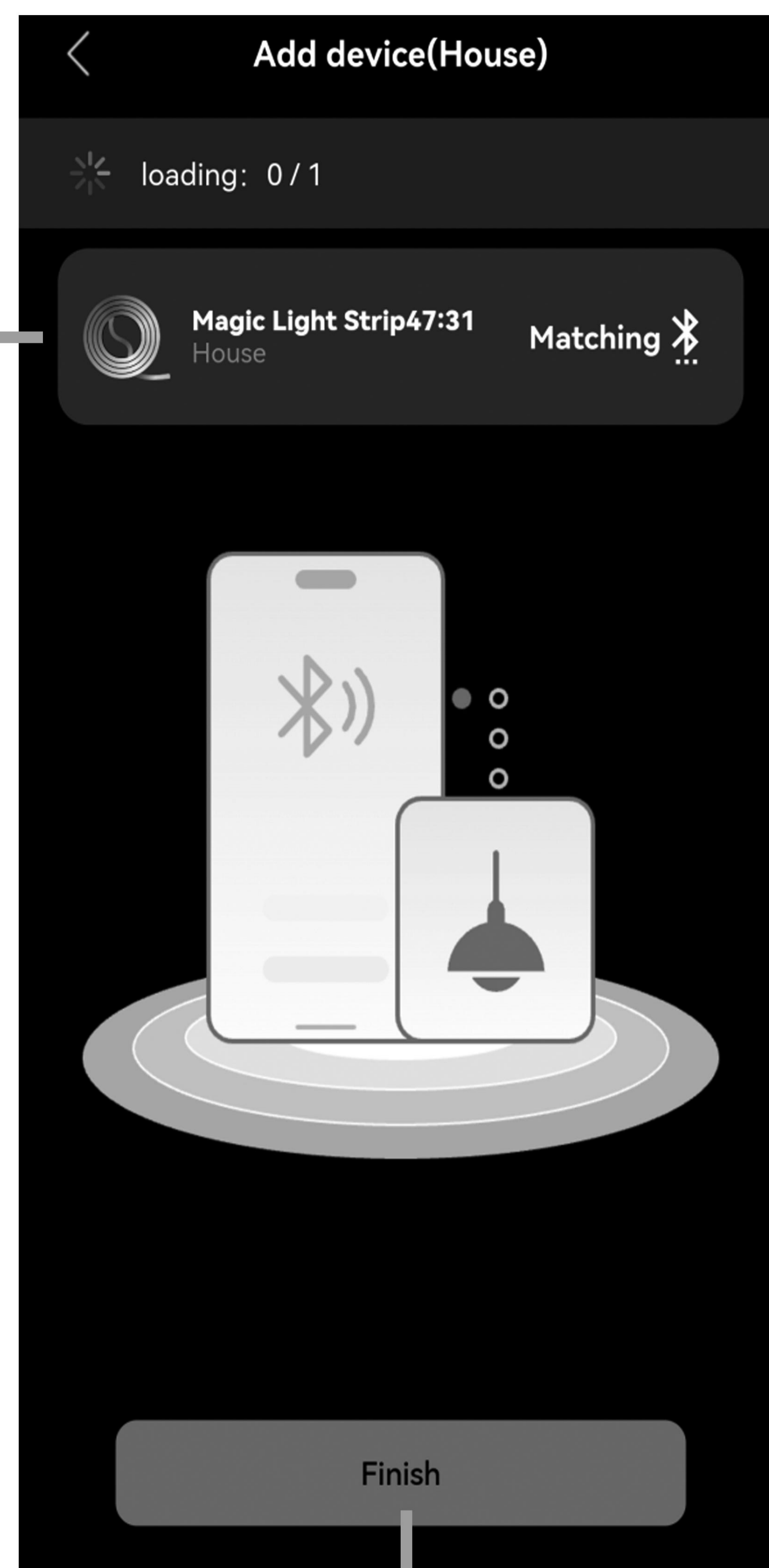
7 Plug in the smart box power plug.



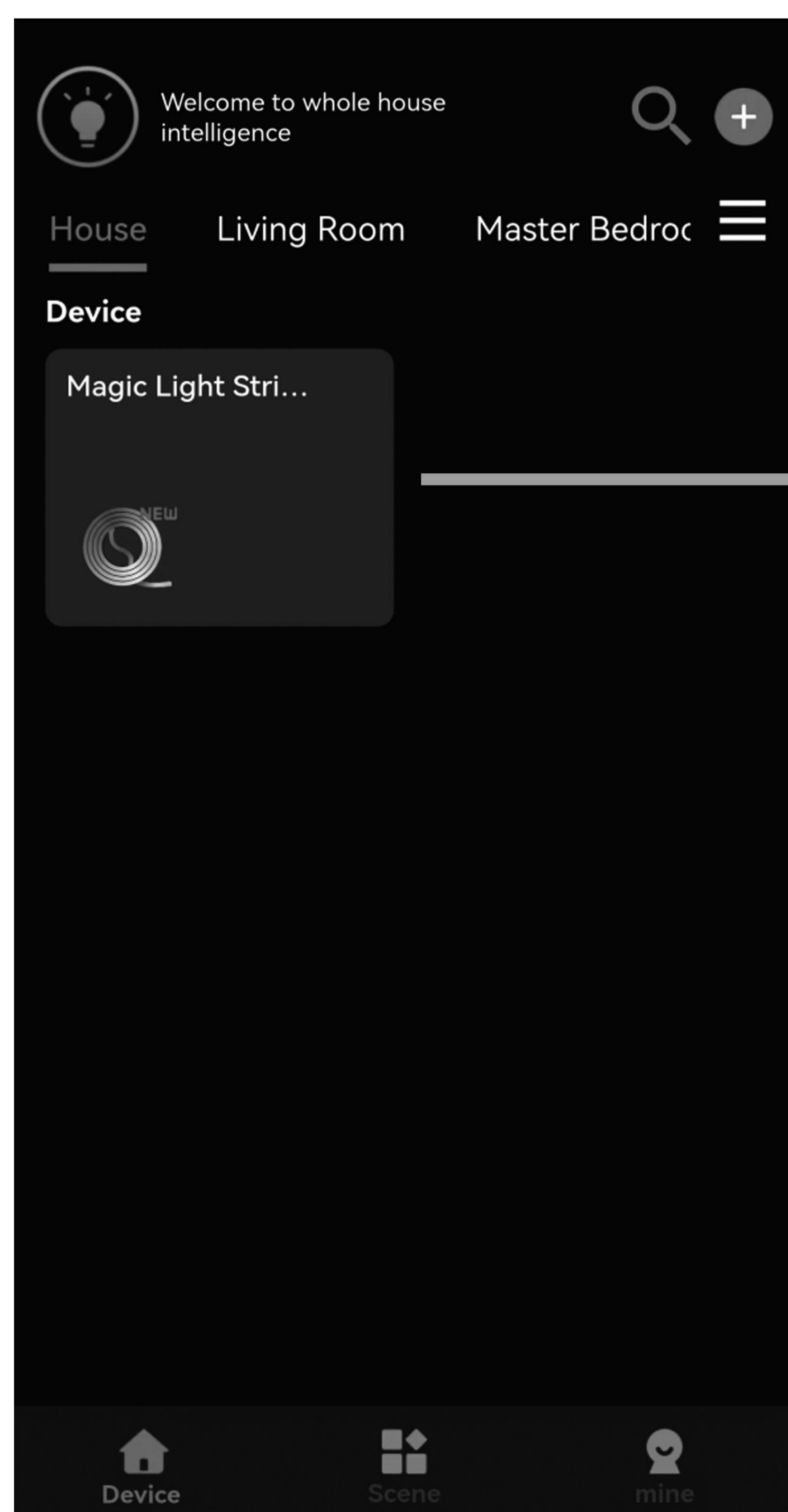
The appearance of this program icon indicates that the matching is complete



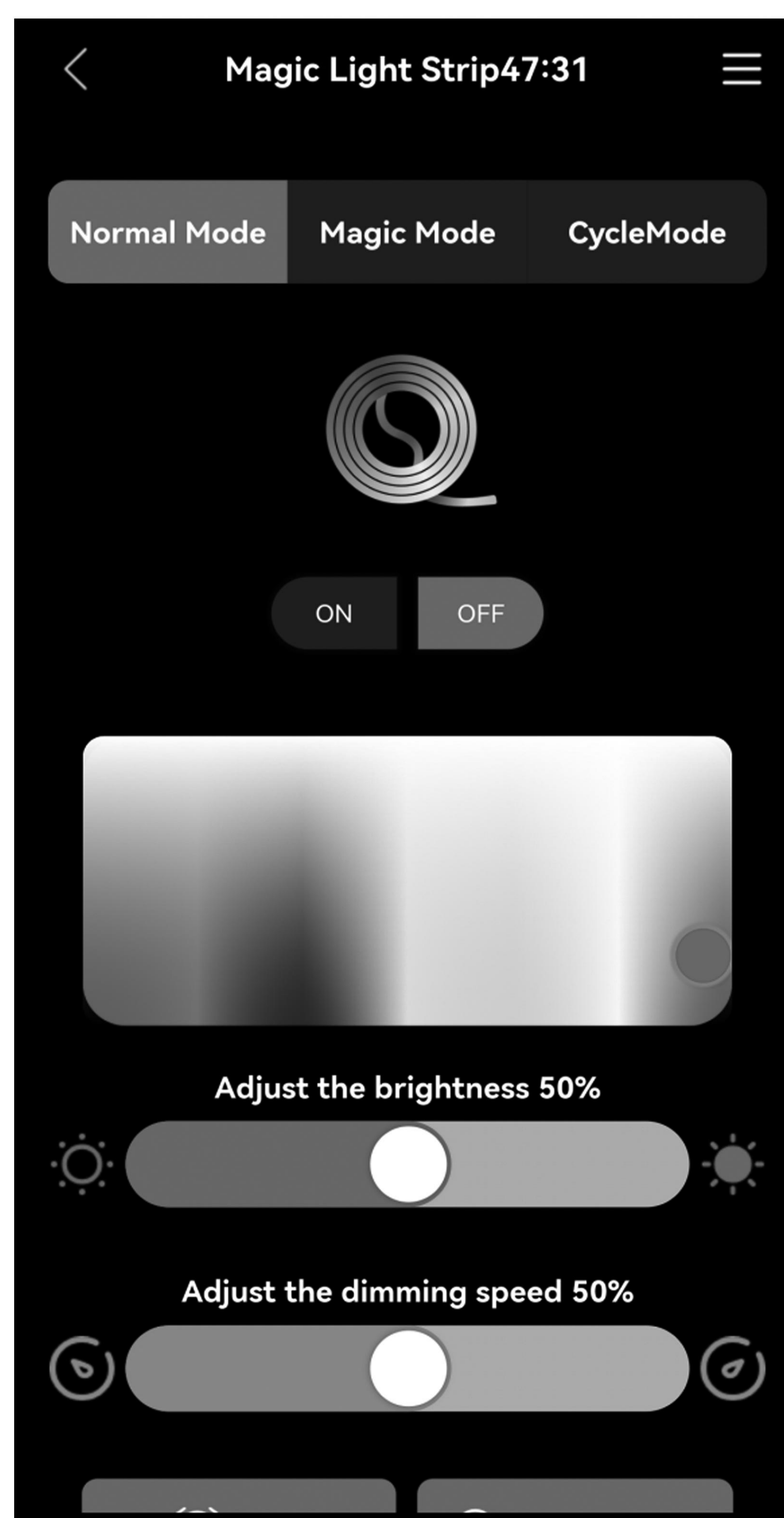
8



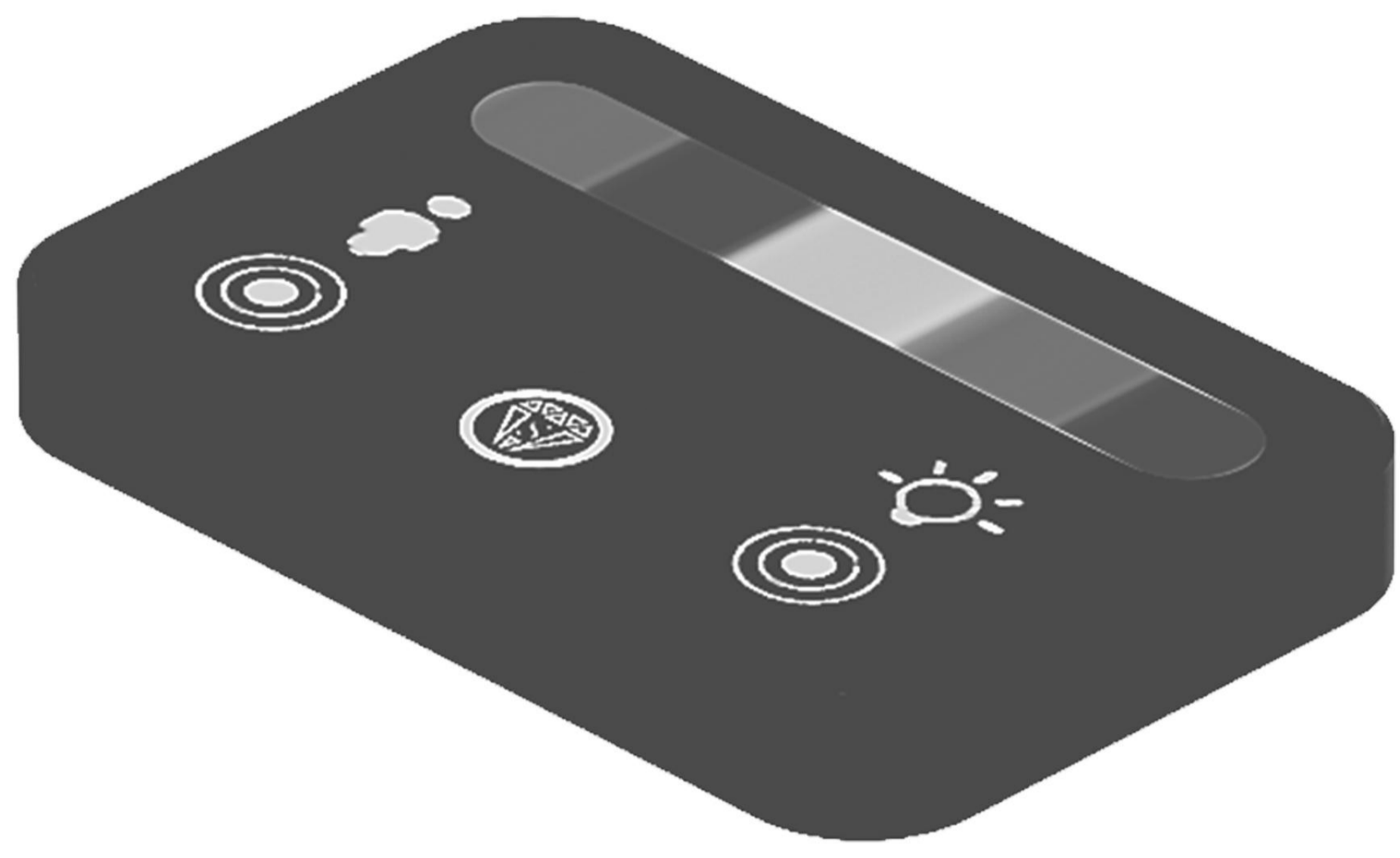
9



10



Now you can freely adjust the lighting according to your preferences



User's Guide

Thank you for purchasing this product.

To use this product, please plug it into a 12V DC power supply.

Please use if the product works normally after connecting to power.

Introduction

The box is an intelligent controller. With 4 touch buttons, it can turn ON/OFF the light and turn ON/OFF the induction function, change light colors, and adjust the light luminance.

The lights can be controlled through both the touch buttons and a dedicated app.

Operation

This touch button is used to turn the light on/off, adjust brightness, and switch the color of the lights.



i. Single Click: Turn the light on/off.

ii. Quick Double-Click: Switch between 7 static RGB colors.

iii. Long Press (2+ seconds): Adjust the light luminance.

This touch button is used to turn on/off the induction function.



A. touch this button once to turn on the induction function (indicator light on).

After the person leaves or remains stationary for more than 30 seconds, the light strip goes out; people and objects within a range of 1 meters move will light up the light strip.

B. Long press this button for 0.5 seconds to turn off the human body induction function (the indicator light goes out).

At this point, Keep the light strip as it was before turning off and no longer be affected by human and object activities.

By default, induction function is enabled when powered on.



This touch button is the Dynamic Phantom Color Mode, which includes 5 magical lighting effects.

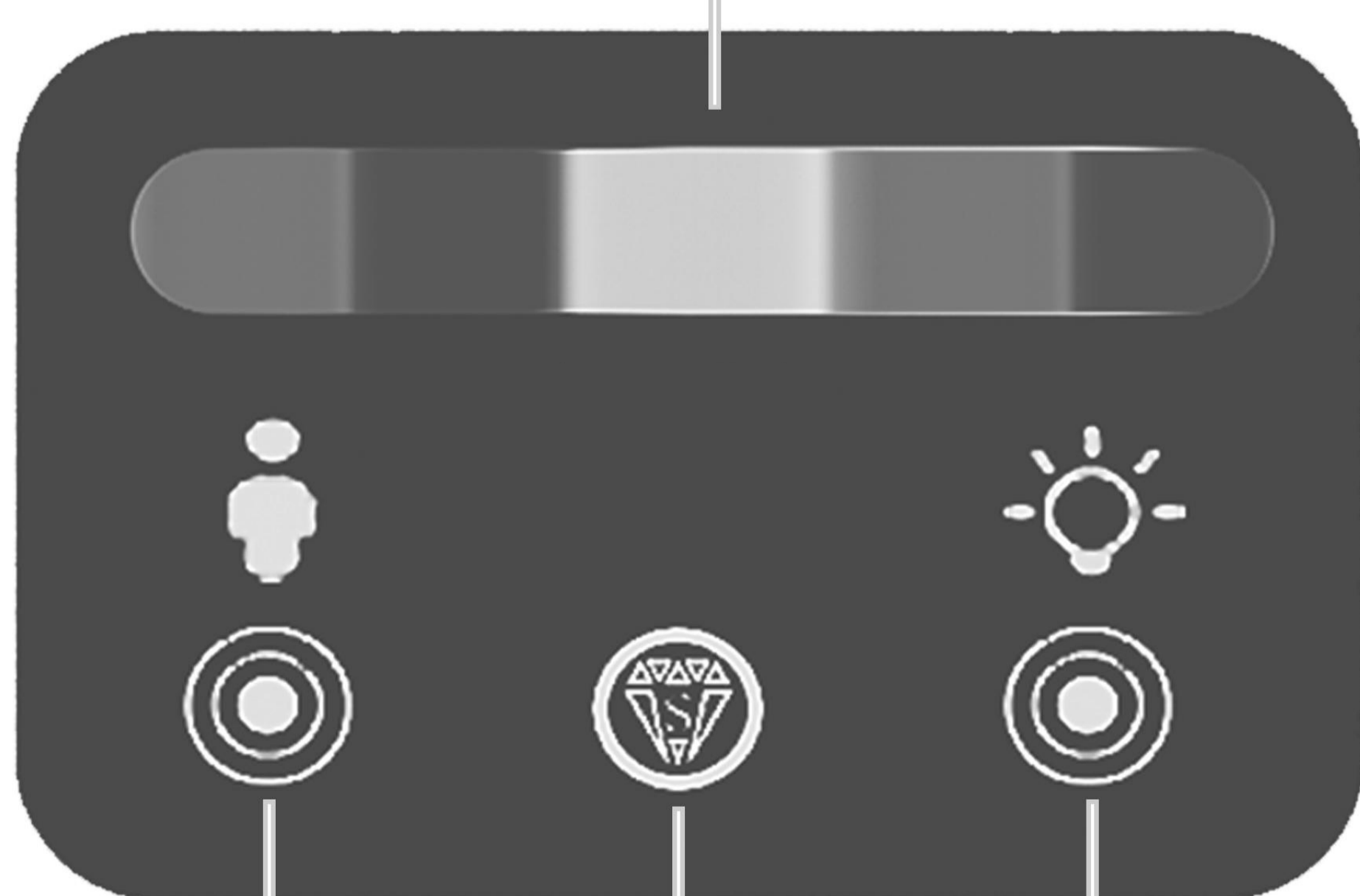
Simply tap to cycle through the options. (Attention: This mode cannot adjust the brightness)



This area controls the color switching function.

You can tap or slide to any color bar position to change the color.

Color Palette



Induction Button

Phantom Color Mode Button

Master Switch Button



ATTENTION PLEASE

1. If there is no touch response suddenly, Re-plug the power to reset the touch static electricity.
2. If bubbles appear on the panel, remove the protective film.
3. If you have any questions when installing, please feel free to contact us. Thank you.