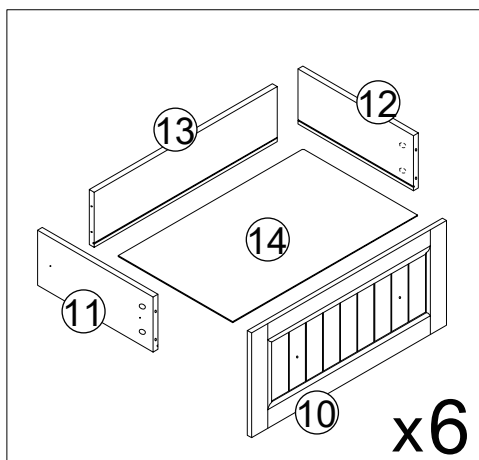
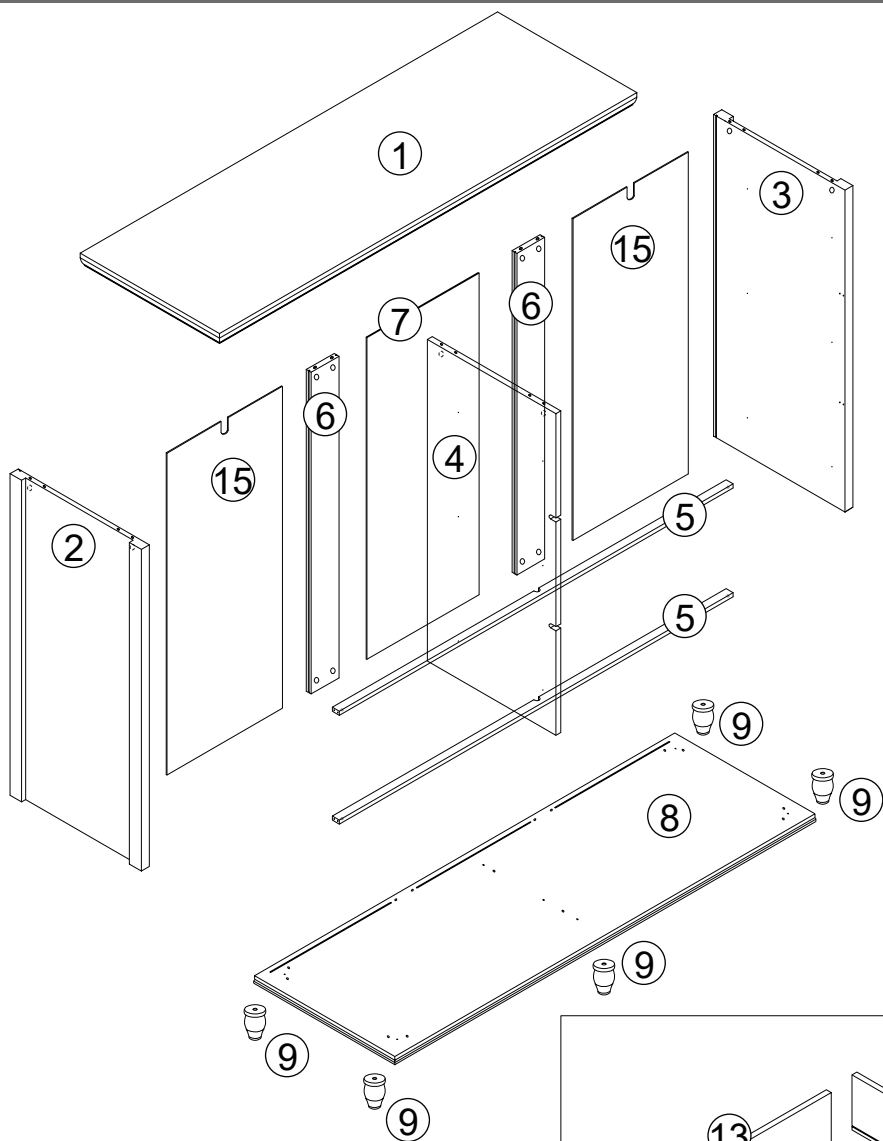
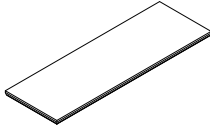
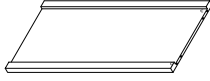



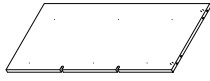


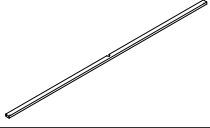
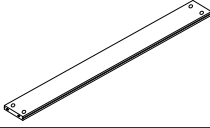


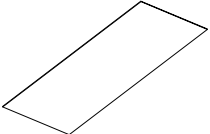
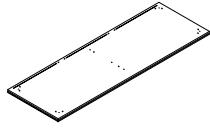



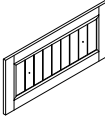


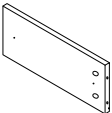
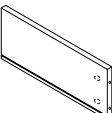


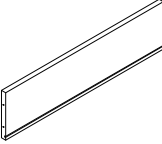
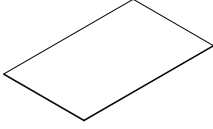




INSTALLATION INSTRUCTIONS

ASSEMBLY DIAGRAM



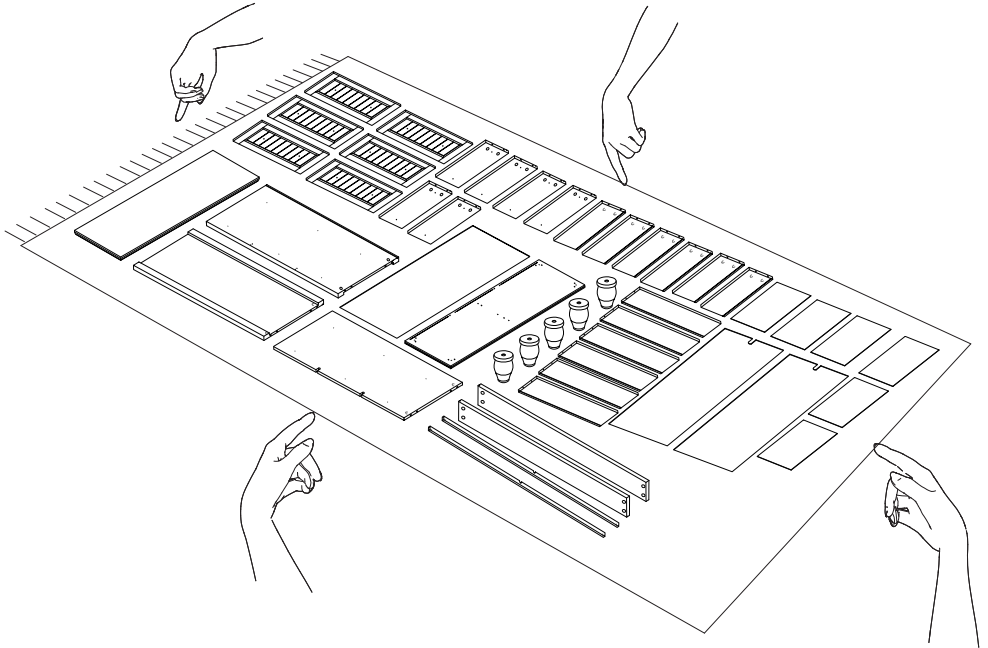
PARTS LIST

| No. | Description | QTY | No. | Description | QTY | No. | Description | QTY |
|-----|---|-----|-----|---|-----|-----|---|-----|
| ① |  | 1 | ② |  | 1 | A |  +1(spare) | 42 |
| | | | | | | B |  +1(spare) | 42 |
| ③ |  | 1 | ④ |  | 1 | C |  +1(spare) | 16 |
| | | | | | | D |  3x12mm +1(spare) | 48 |
| ⑤ |  | 2 | ⑥ |  | 2 | E |  4x8mm | 12 |
| | | | | | | F |  4x35mm +1(spare) | 30 |
| ⑦ |  | 1 | ⑧ |  | 1 | G |  | 12 |
| | | | | | | H |  | 12 |
| ⑨ |  | 5 | ⑩ |  | 6 | I |  5x45mm | 5 |
| | | | | | | J |  | 2 |
| ⑪ |  | 6 | ⑫ |  | 6 | K |  4x12mm | 2 |
| | | | | | | L |  | 2 |
| ⑬ |  | 6 | ⑭ |  | 6 | M |  3.5x40mm | 2 |
| | | | | | | | | |
| ⑮ |  | | | | 2 | | | |

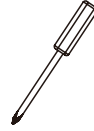
CAUTION: Please confirm the parts list before installation

Layout Parts on Soft Surface

Lay out all parts on a soft surface i.e. Rug, Carpet or Packaging Carton

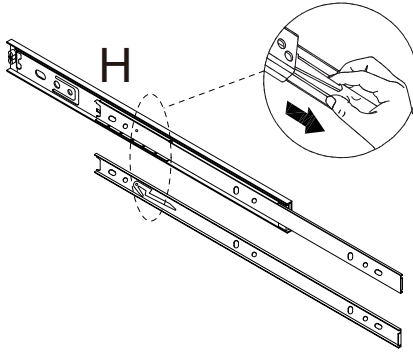


YOU MAY NEED (NOT SUPPLIED)



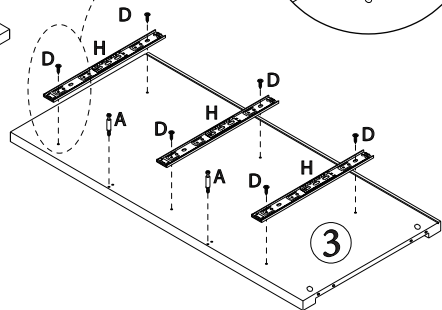
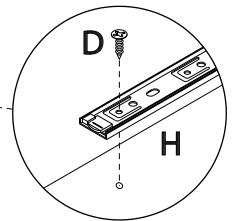
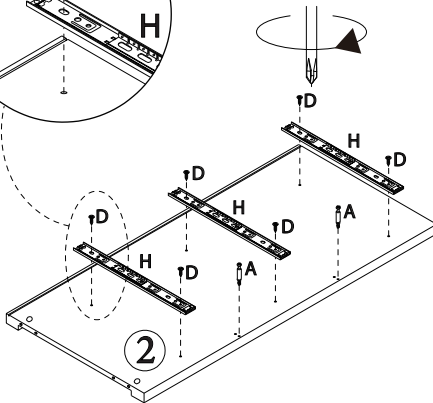
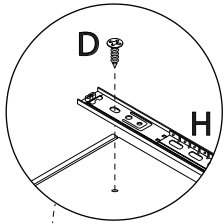
INSTALLATIONS

STEP 1



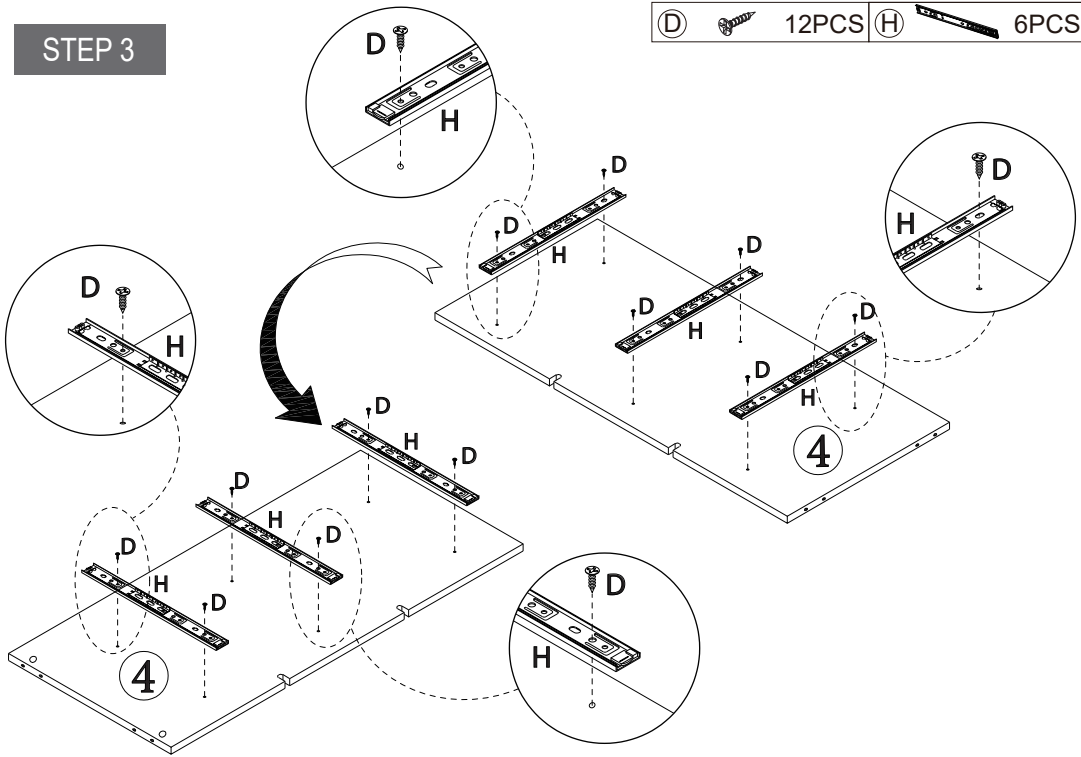
STEP 2

| | | | | | |
|-----|--|------|-----|--|-------|
| (A) | | 4PCS | (D) | | 12PCS |
| | | | (H) | | 6PCS |

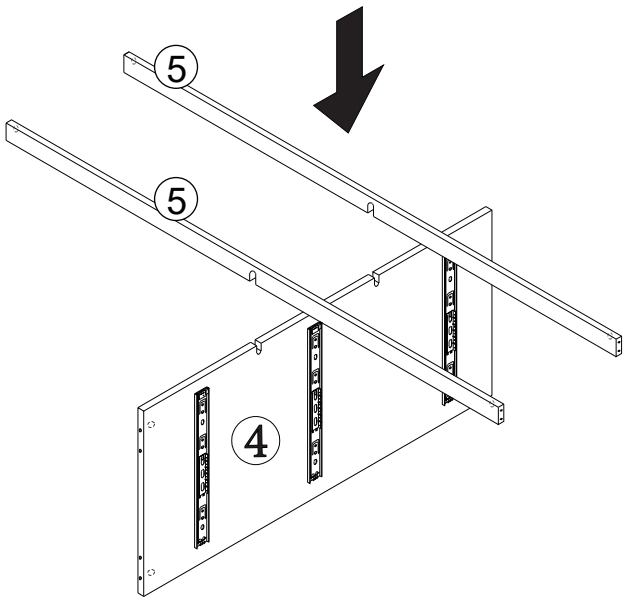


STEP 3



Ⓓ 12PCS Ⓗ 6PCS

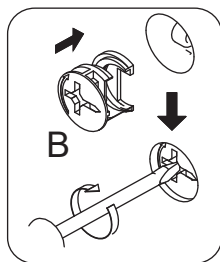
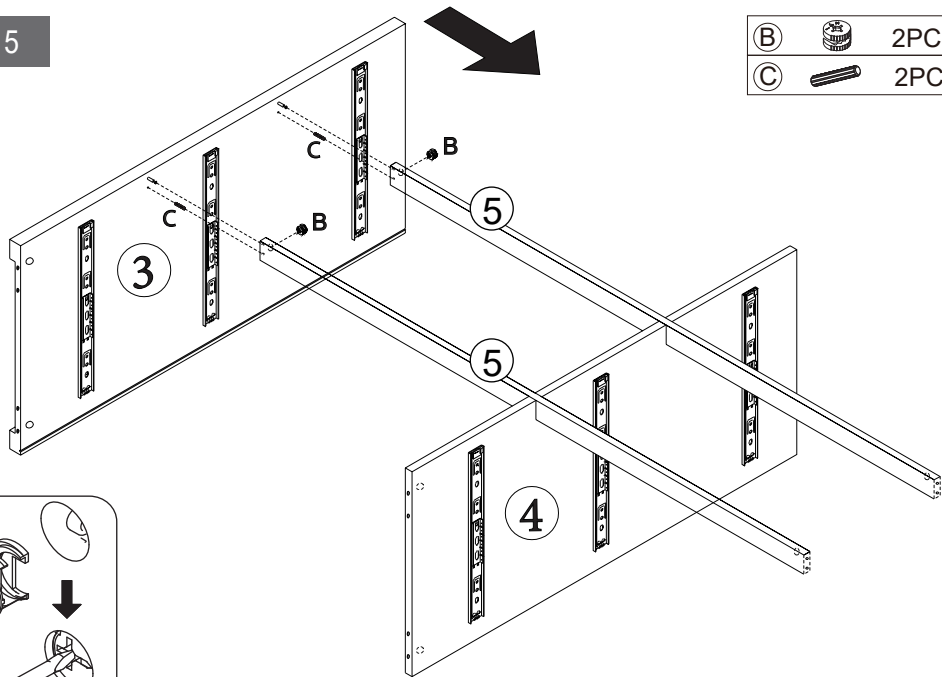


STEP 4





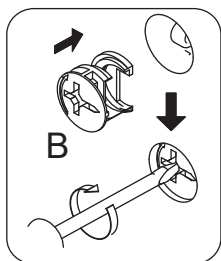
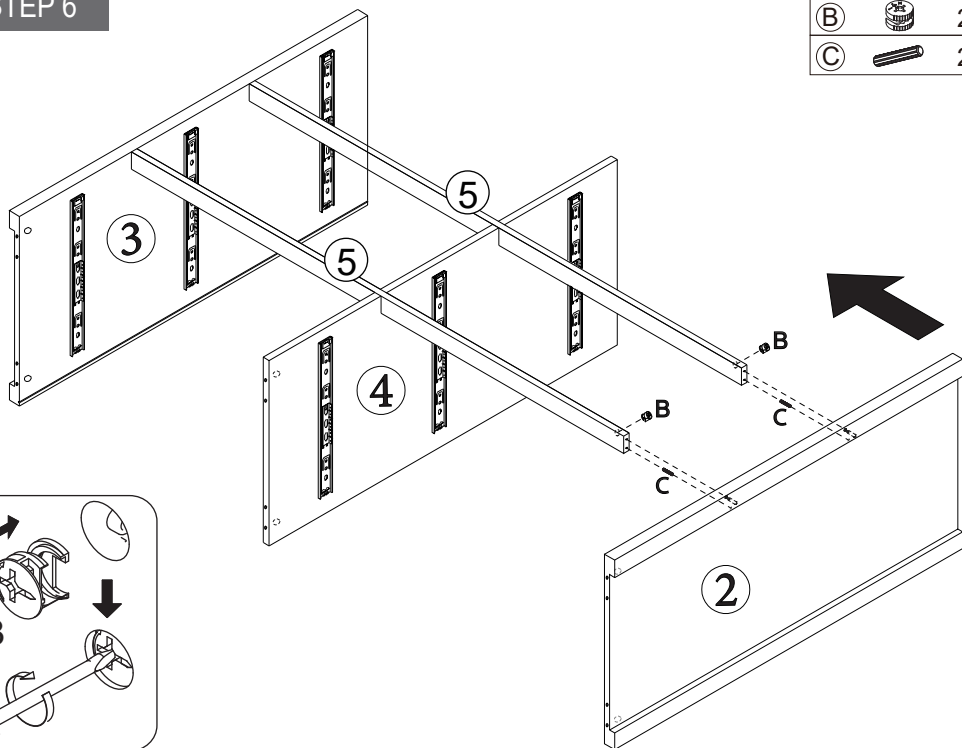
STEP 5

| | | |
|-----|--|------|
| (B) |  | 2PCS |
| (C) |  | 2PCS |



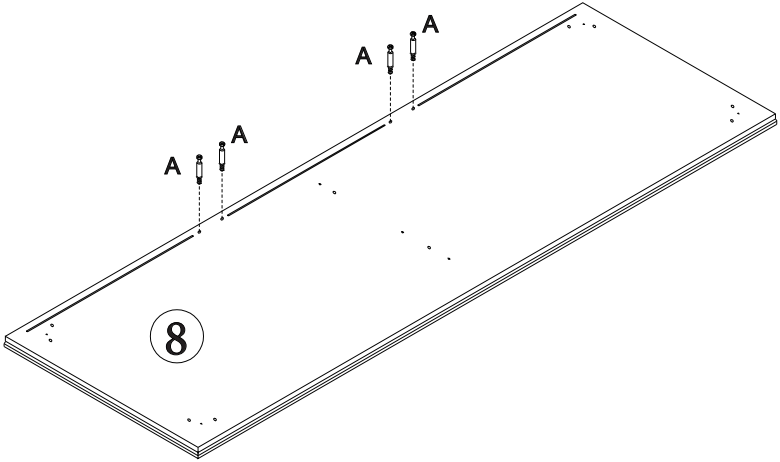
STEP 6

| | | |
|-----|---|------|
| (B) |  | 2PCS |
| (C) |  | 2PCS |



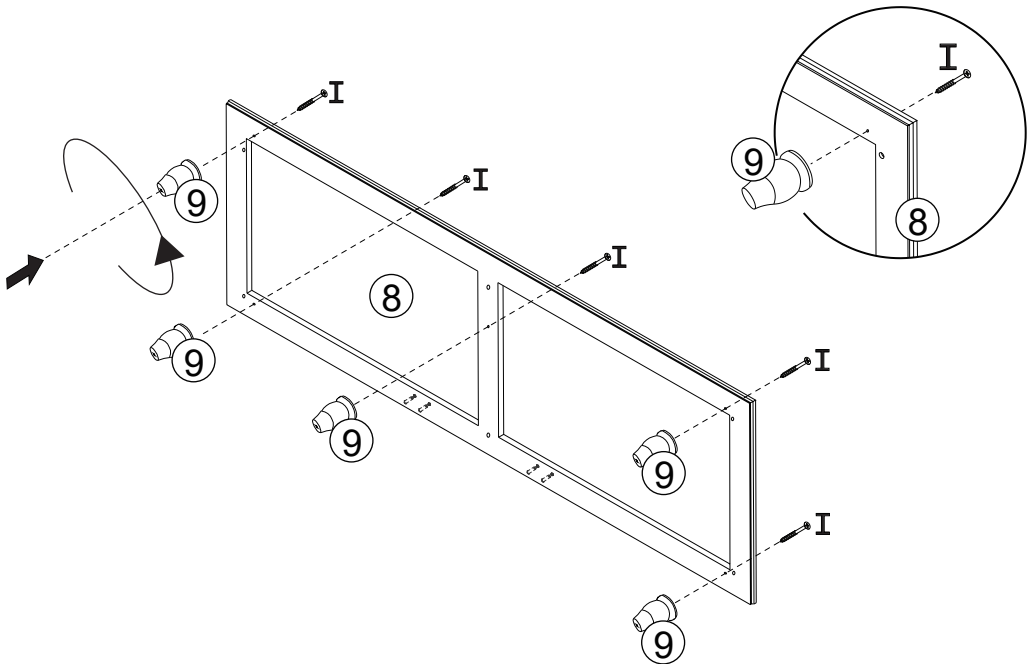
STEP 7

A  4PCS

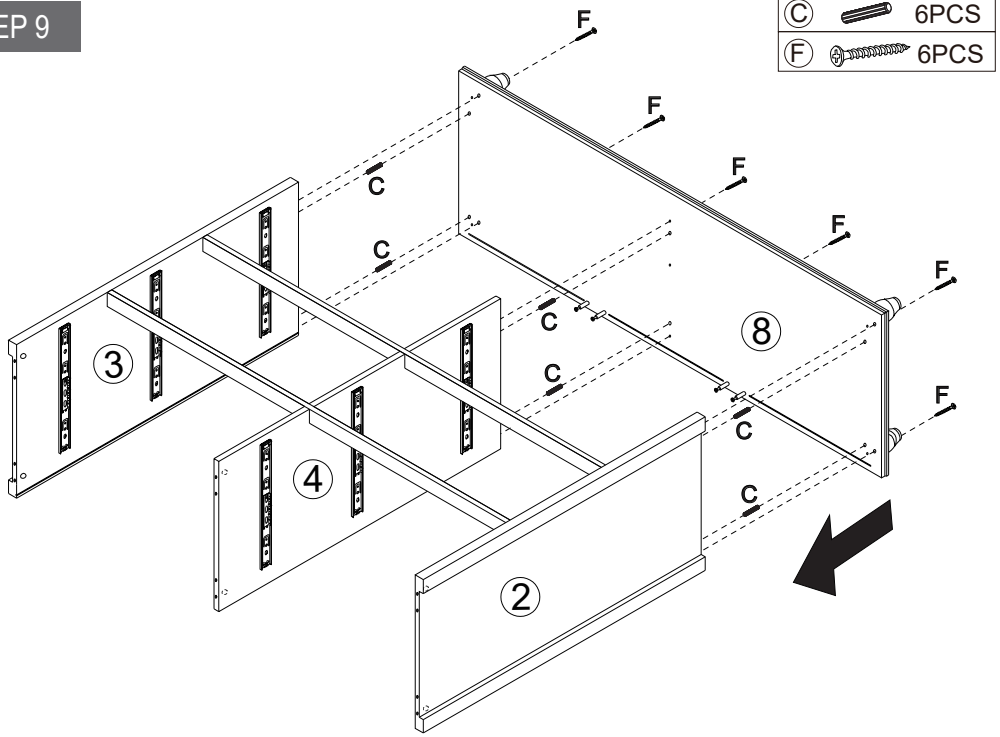


STEP 8

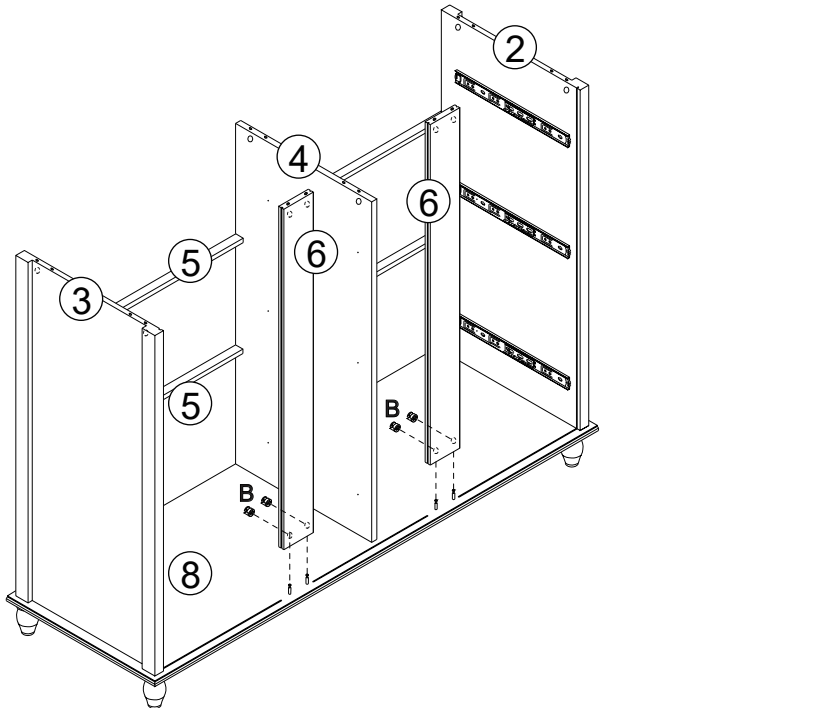
I  5PCS



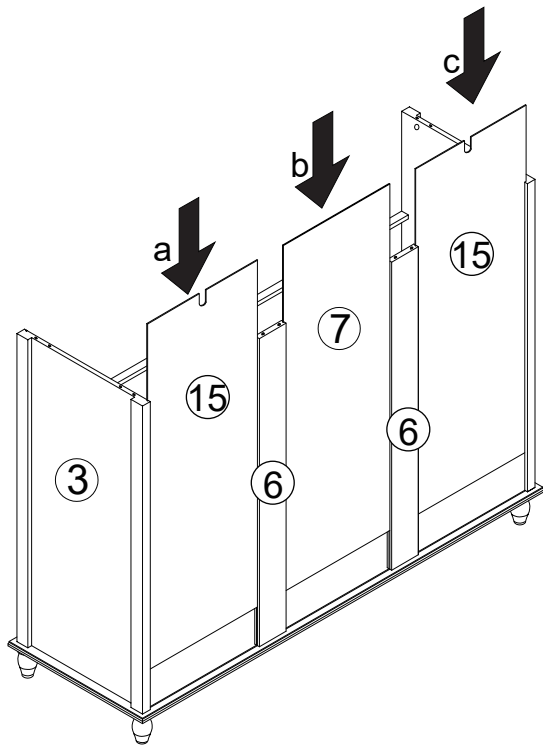
STEP 9



STEP 10

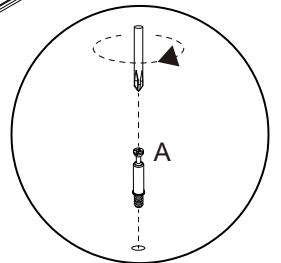
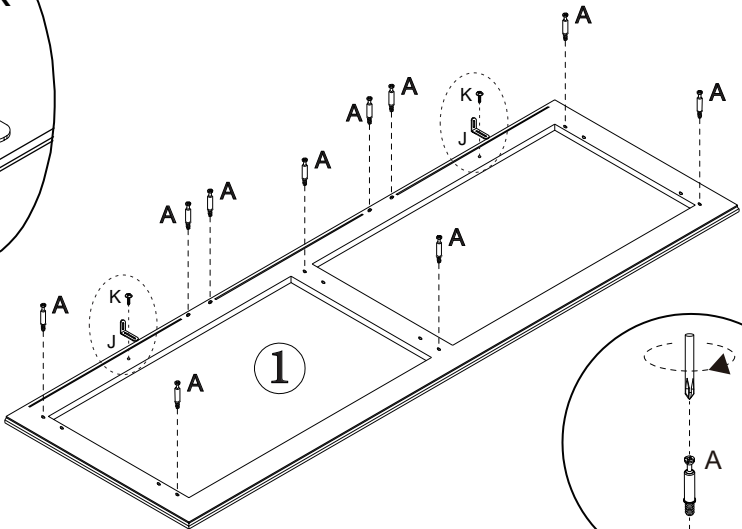
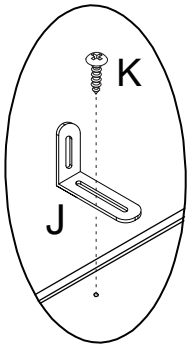


STEP 11





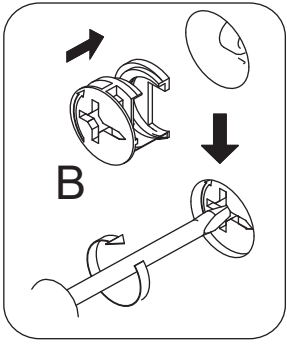
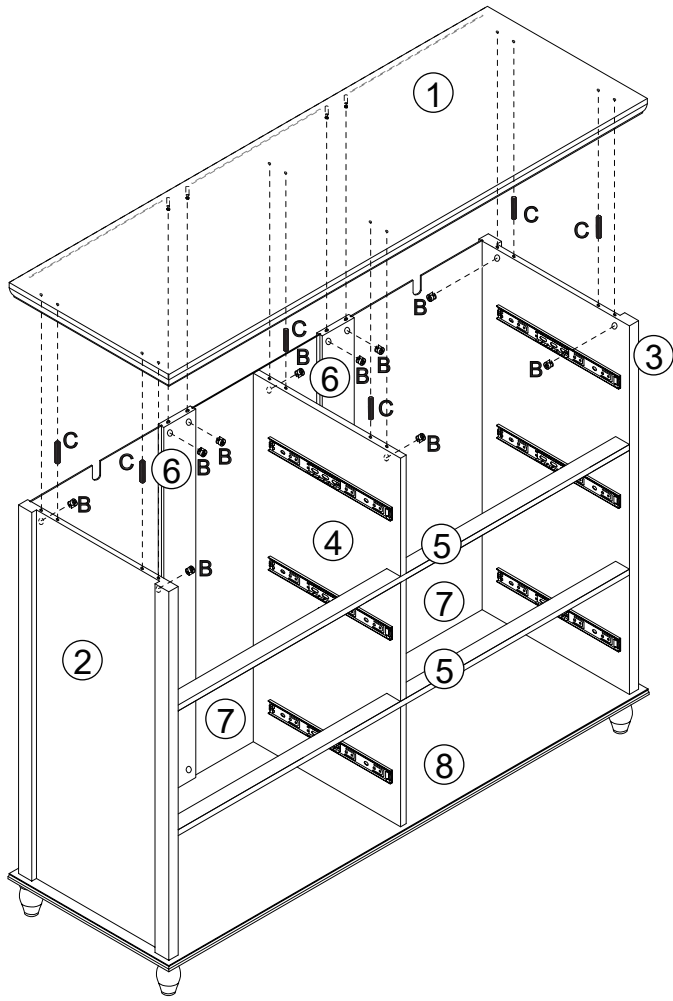
STEP 12

| | | |
|-----|--|-------|
| (A) | | 10PCS |
| (J) | | 2PCS |
| (K) | | 2PCS |


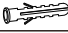
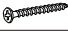


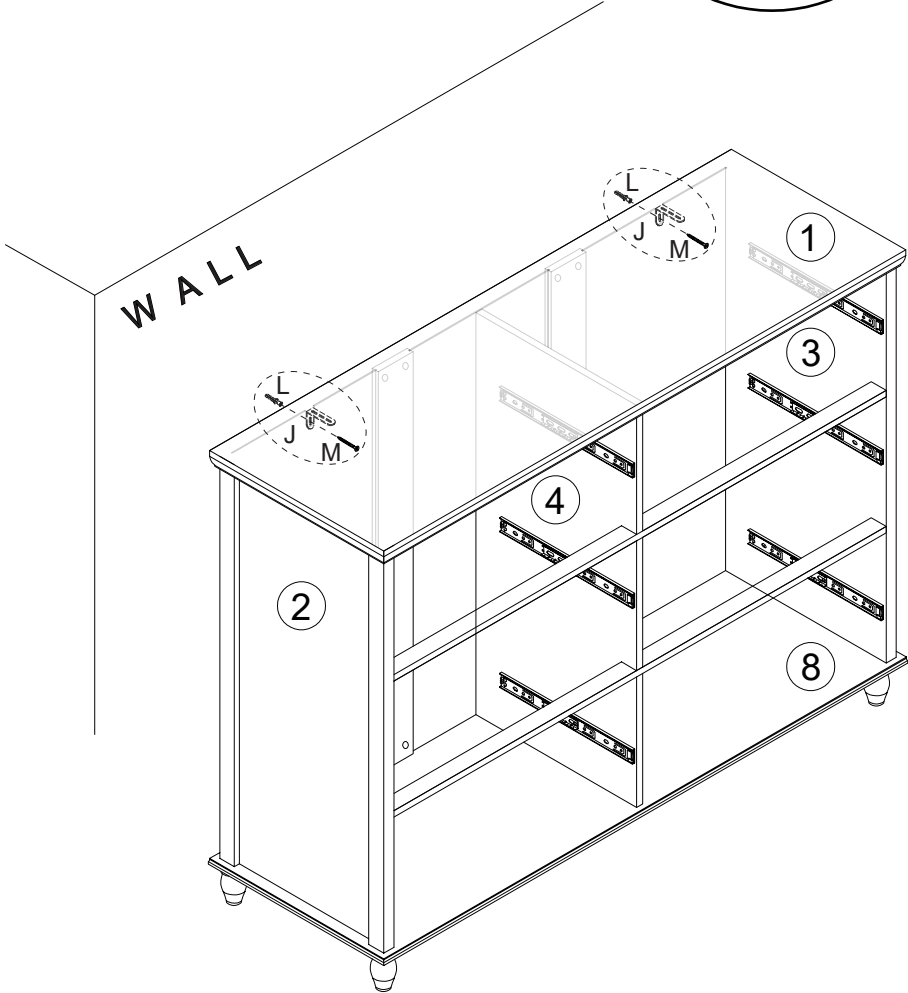
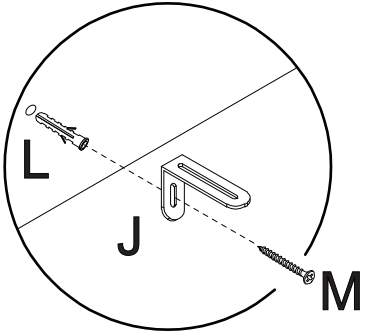
STEP 13

- | | | |
|---|--|-------|
| B |  | 10PCS |
| C |  | 6PCS |



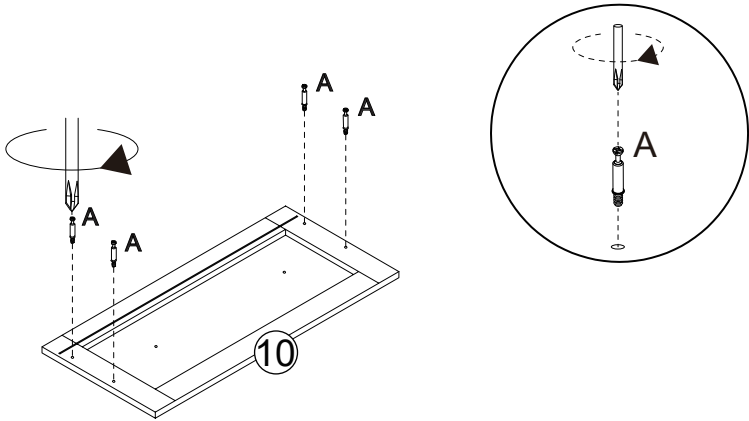
STEP 14

| | | |
|---|---|------|
| J |  | 2PCS |
| L |  | 2PCS |
| M |  | 2PCS |





STEP 15

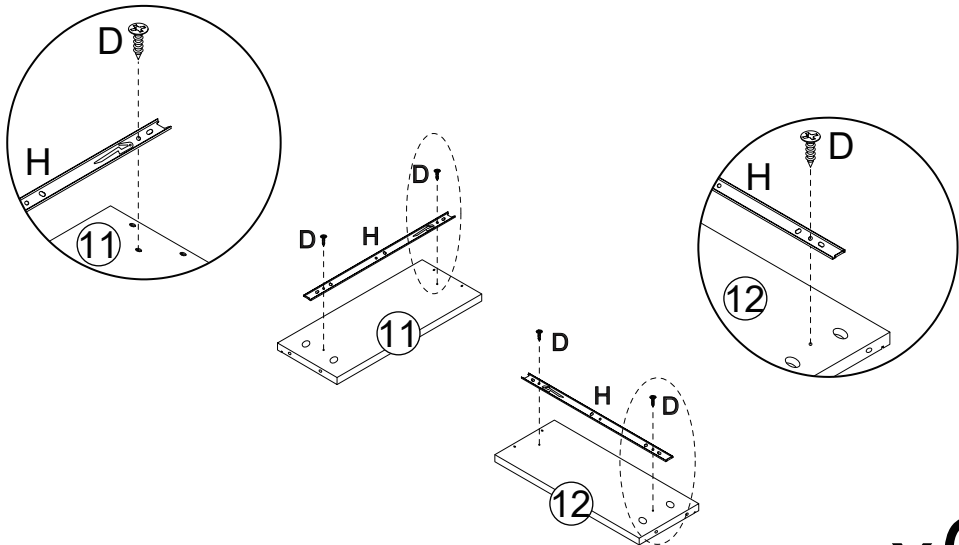
(A)  24PCS



x6

STEP 16

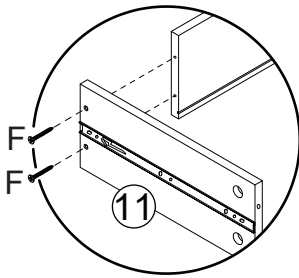
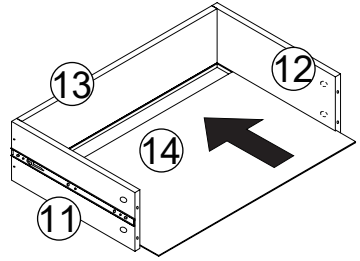
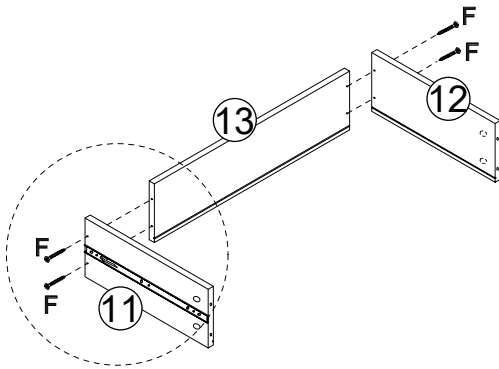
(D)  24PCS
(H)  12PCS



x6




STEP 17

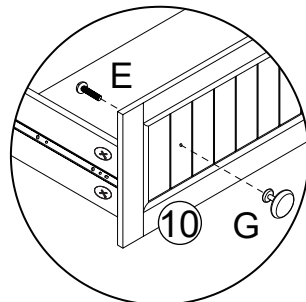
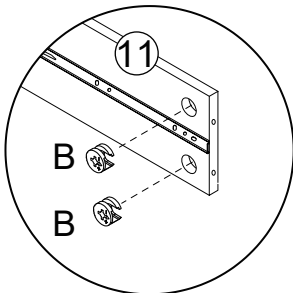
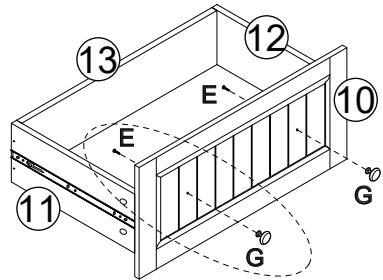
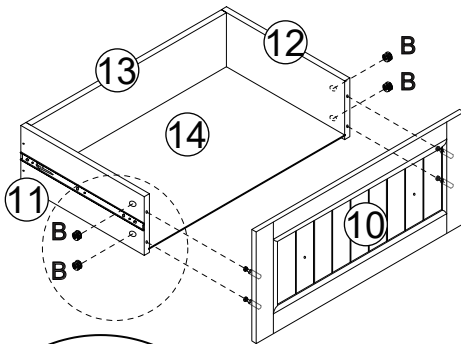
(F)  24PCS



x6

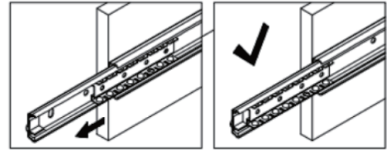
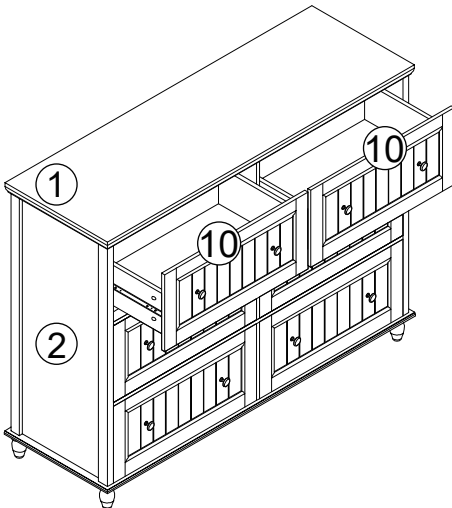
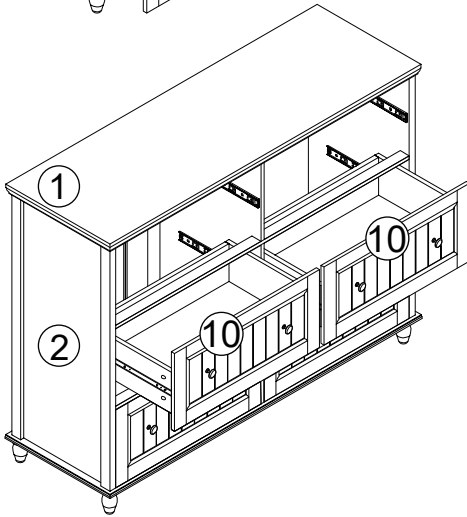
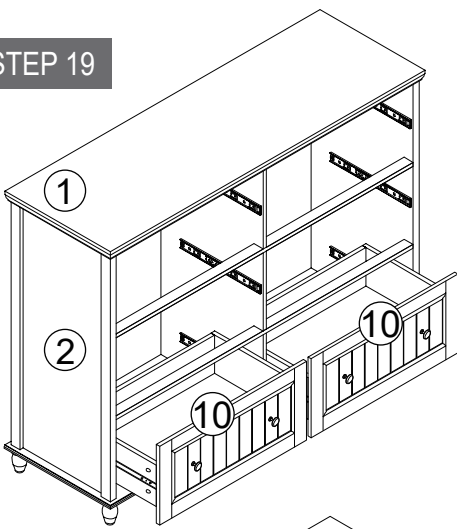
STEP 18

(B)  24PCS (E)  12PCS
(G)  12PCS

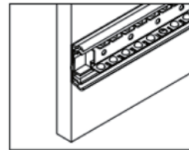


x6

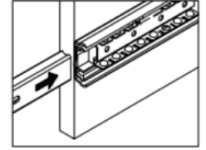
STEP 19



1. Pull out slide. Slide bearings forward.



2. Push slide back inside. Repeat for every slide!



3. Insert into slide slot correctly, push the drawer into the cabinet body with even force

STEP 20

