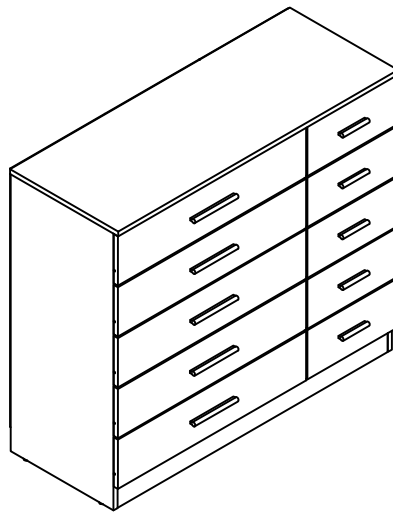


Assembly Instructions

TOPLINE CHEST 5+5



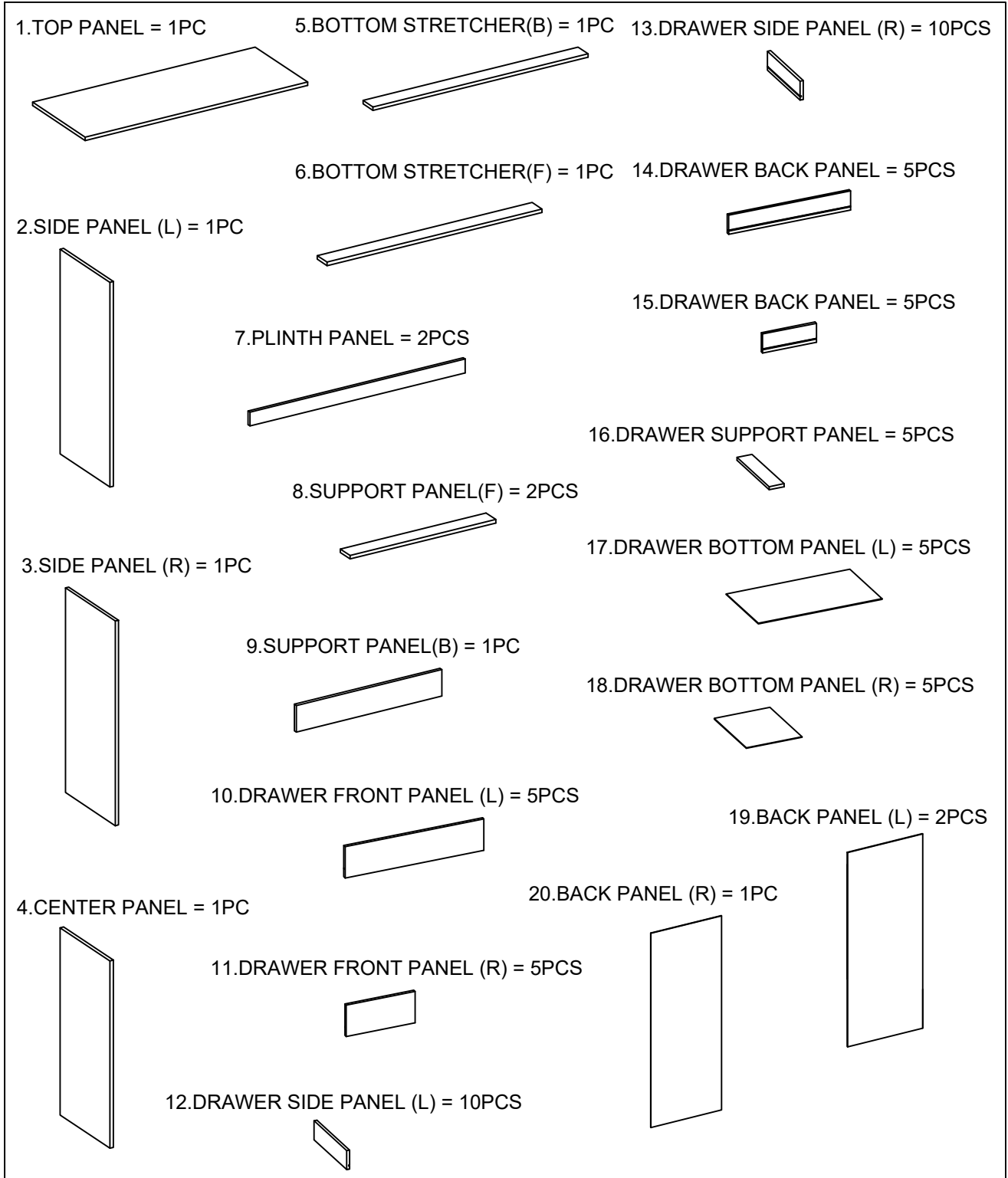
IMPORTANT

Please inspect all item carefully before assembling.
If for any reason you need to return this item,
you must return it in its original packaging.
Assembled items cannot be returned.

THE USE OF POWER TOOLS TO ASSEMBLE THIS PRODUCT WILL INVALIDATE
ANY CLAIM AND MAY DAMAGE THIS PRODUCT MAKING IT UNSAFE.





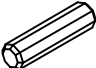











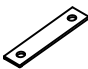
PART LIST



THE USE OF POWER TOOLS TO ASSEMBLE THIS PRODUCT WILL INVALIDATE ANY CLAIM AND MAY DAMAGE THIS PRODUCT MAKING IT UNSAFE.



HARDWARE LIST

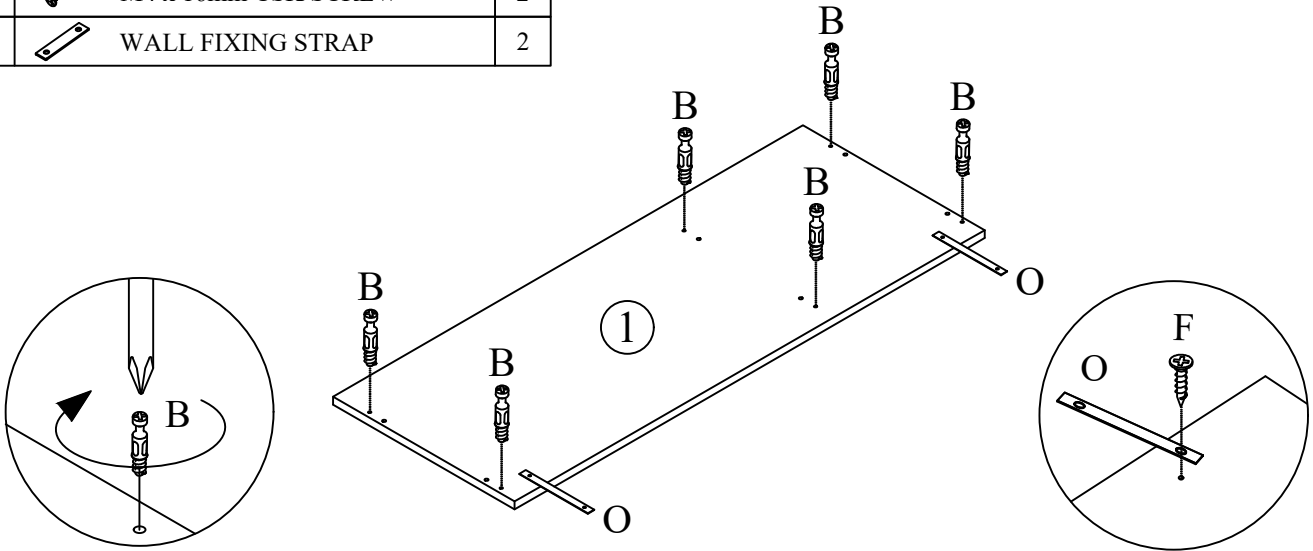
NO.		DESCRIPTION	QTY
A		CAM NUT (15mm)	45
B		CAM BOLT	45
C		WOOD DOWEL M6 x 25mm	49
D		M3.5 x 12mm CSK SCREW	144
E		M3.5 x 25mm CSK SCREW	20
F		M4 x 16mm CSK SCREW	2
G		PVC BRACKET	6
H		M4 x 38mm CSK SCREW	45
I		M4 x 45mm CSK SCREW	2
J		PVC NAIL 5/8"	4
K		METAL RUNNER 14"	10
L		NAIL	30
M		HANDLE AC 83-96-64	5
N		PVC HANDLE AC 85-189-128	5
O		WALL FIXING STRAP	2

THE USE OF POWER TOOLS TO ASSEMBLE THIS PRODUCT WILL INVALIDATE ANY CLAIM AND MAY DAMAGE THIS PRODUCT MAKING IT UNSAFE.





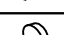



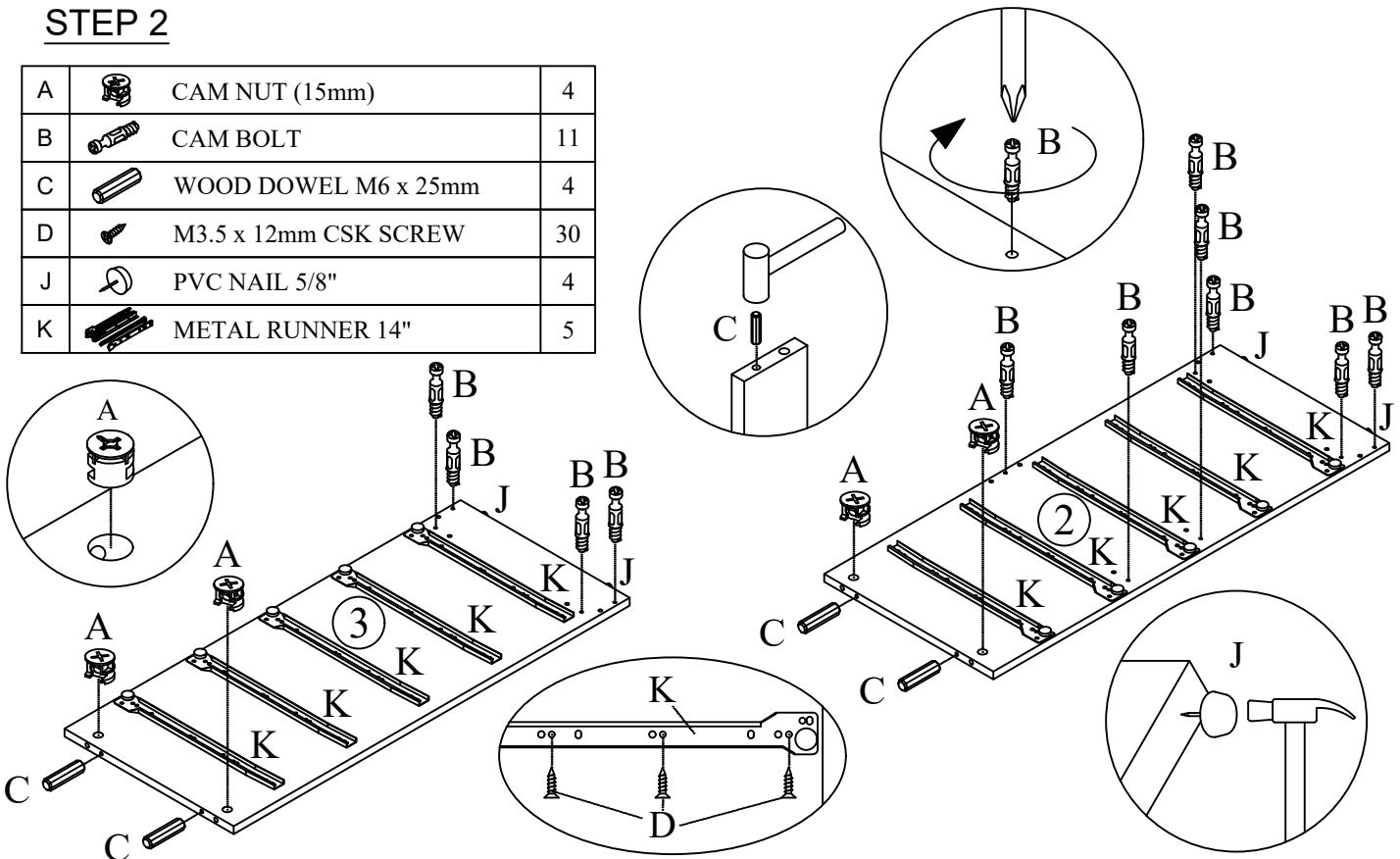
STEP 1

B		CAM BOLT	6
F		M4 x 16mm CSK SCREW	2
O		WALL FIXING STRAP	2



STEP 2

A		CAM NUT (15mm)	4
B		CAM BOLT	11
C		WOOD DOWEL M6 x 25mm	4
D		M3.5 x 12mm CSK SCREW	30
J		PVC NAIL 5/8"	4
K		METAL RUNNER 14"	5

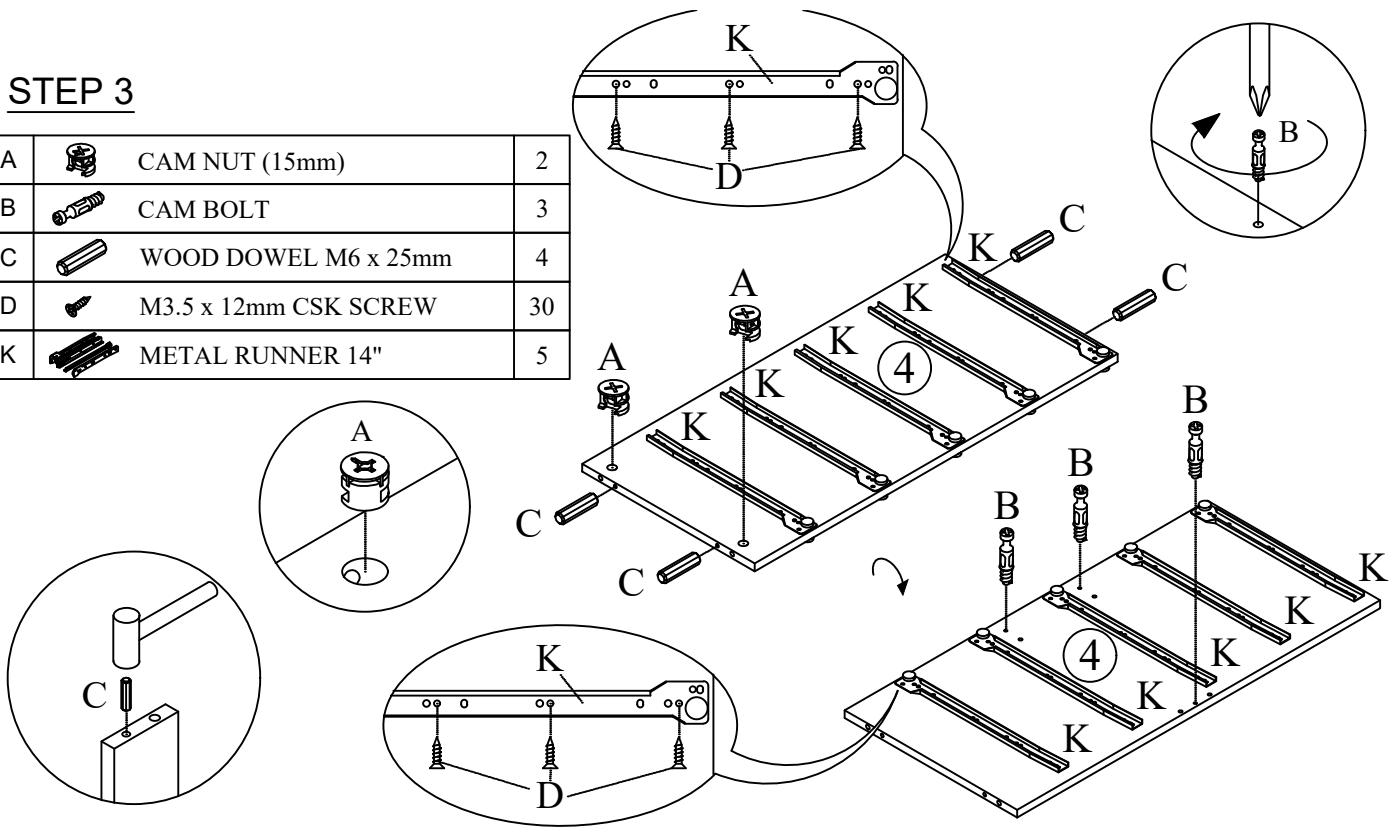


THE USE OF POWER TOOLS TO ASSEMBLE THIS PRODUCT WILL INVALIDATE ANY CLAIM AND MAY DAMAGE THIS PRODUCT MAKING IT UNSAFE.



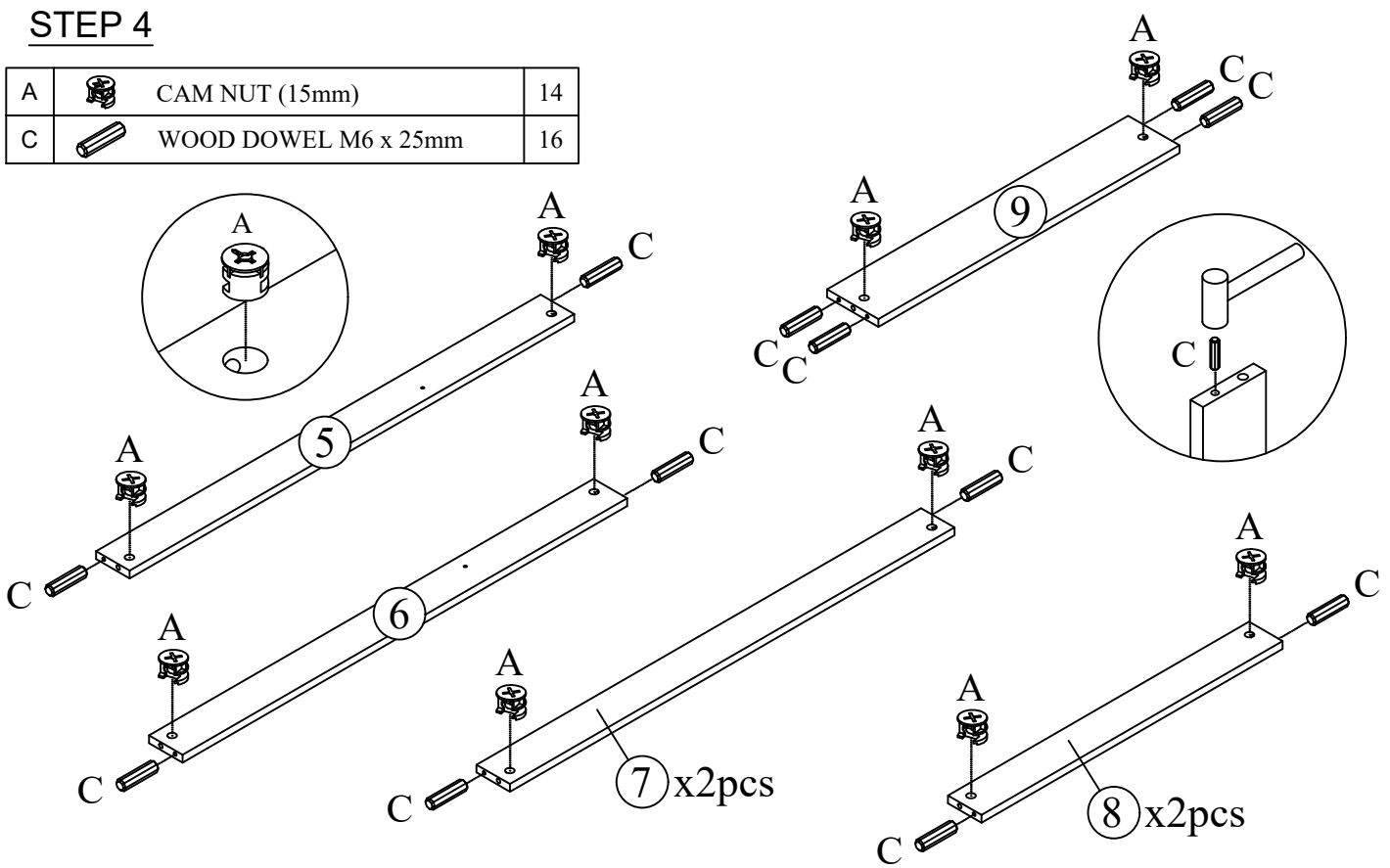
STEP 3

A		CAM NUT (15mm)	2
B		CAM BOLT	3
C		WOOD DOWEL M6 x 25mm	4
D		M3.5 x 12mm CSK SCREW	30
K		METAL RUNNER 14"	5



STEP 4

A		CAM NUT (15mm)	14
C		WOOD DOWEL M6 x 25mm	16

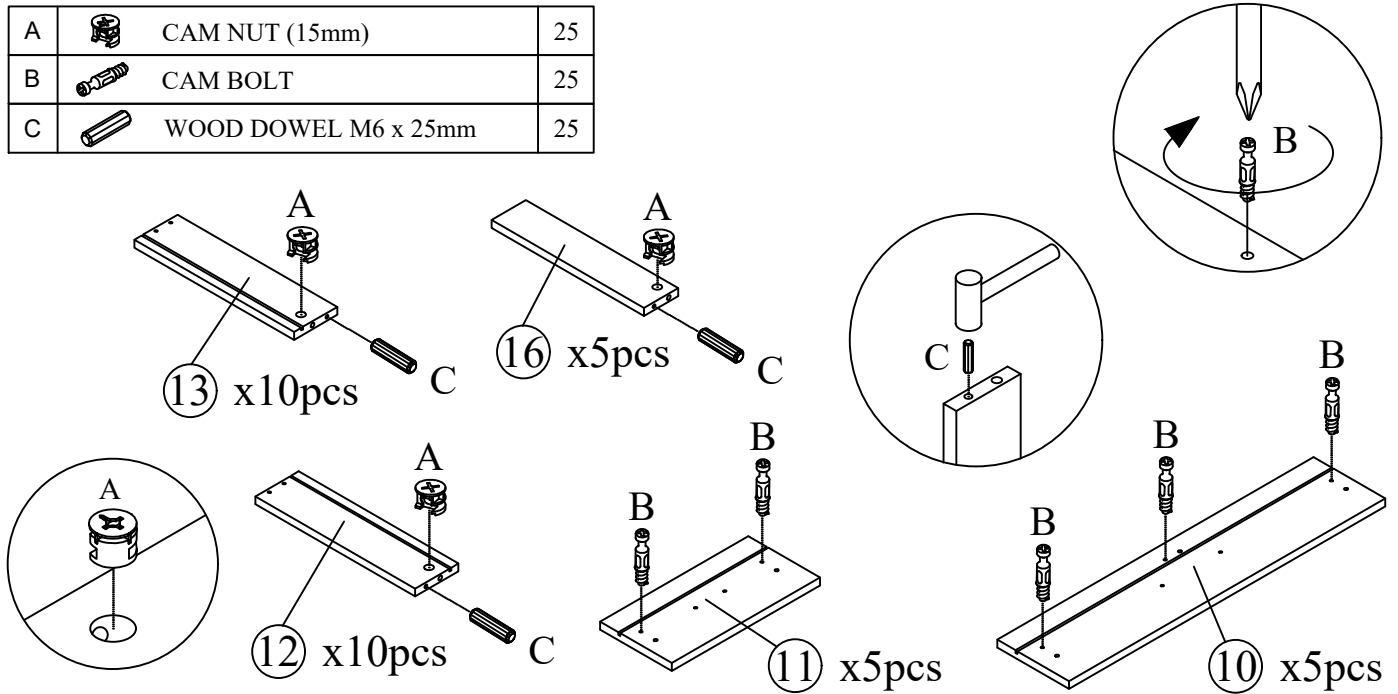


THE USE OF POWER TOOLS TO ASSEMBLE THIS PRODUCT WILL INVALIDATE ANY CLAIM AND MAY DAMAGE THIS PRODUCT MAKING IT UNSAFE.



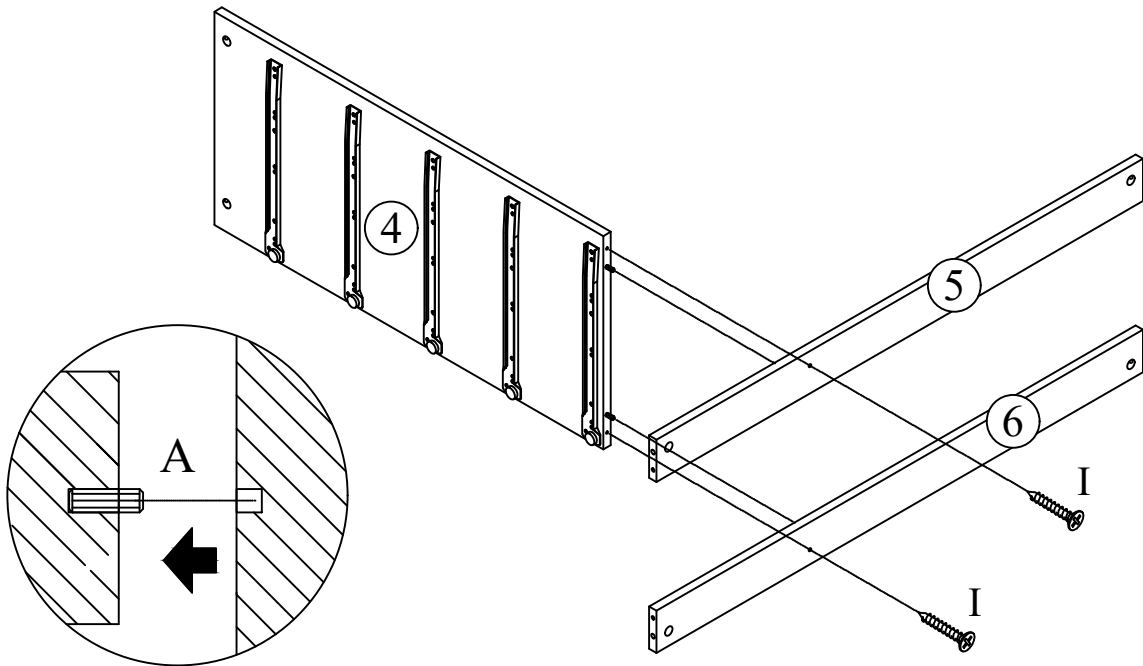
STEP 5

A	CAM NUT (15mm)	25
B	CAM BOLT	25
C	WOOD DOWEL M6 x 25mm	25



STEP 6

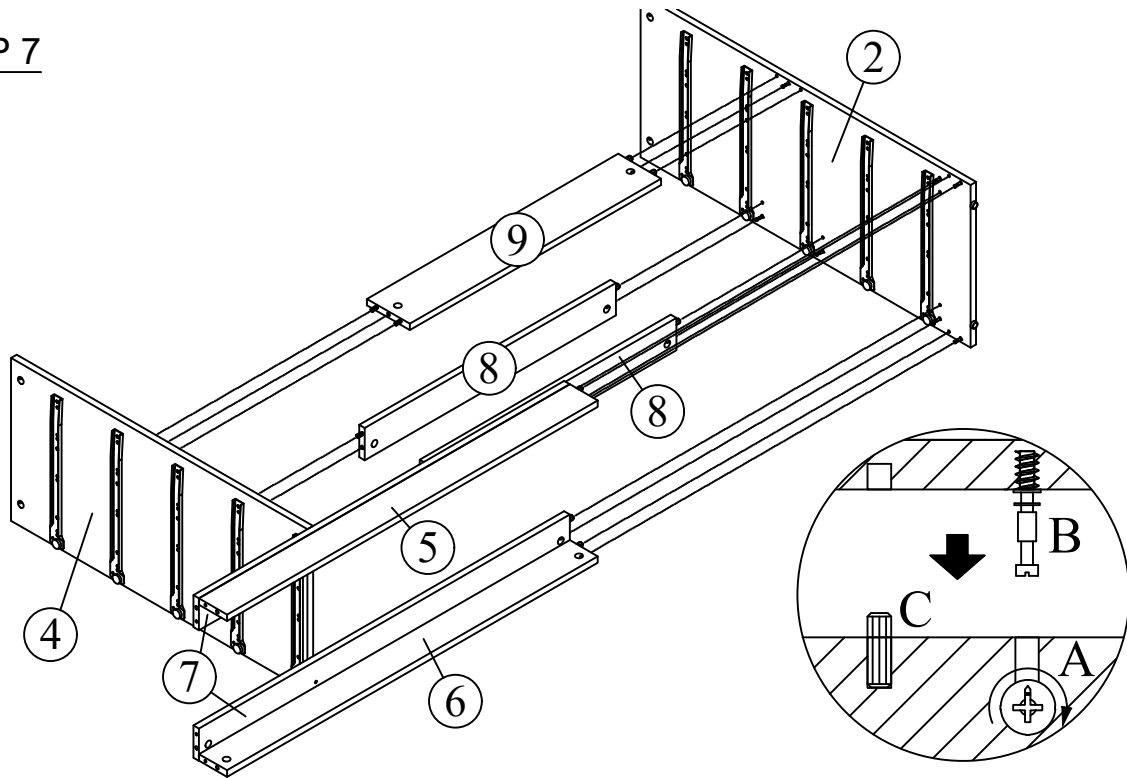
I	M4 x 45mm CSK SCREW	2
---	---------------------	---



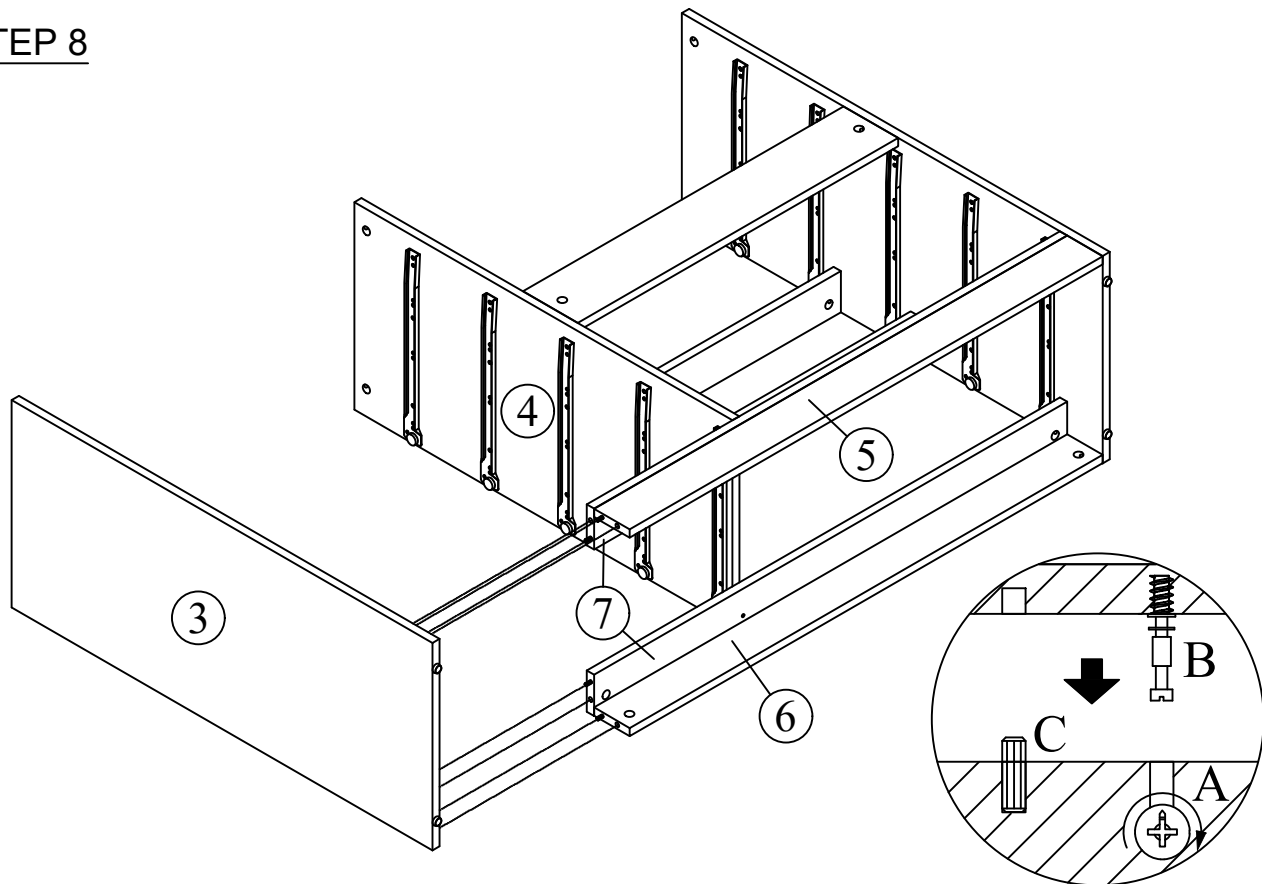
THE USE OF POWER TOOLS TO ASSEMBLE THIS PRODUCT WILL INVALIDATE ANY CLAIM AND MAY DAMAGE THIS PRODUCT MAKING IT UNSAFE.



STEP 7



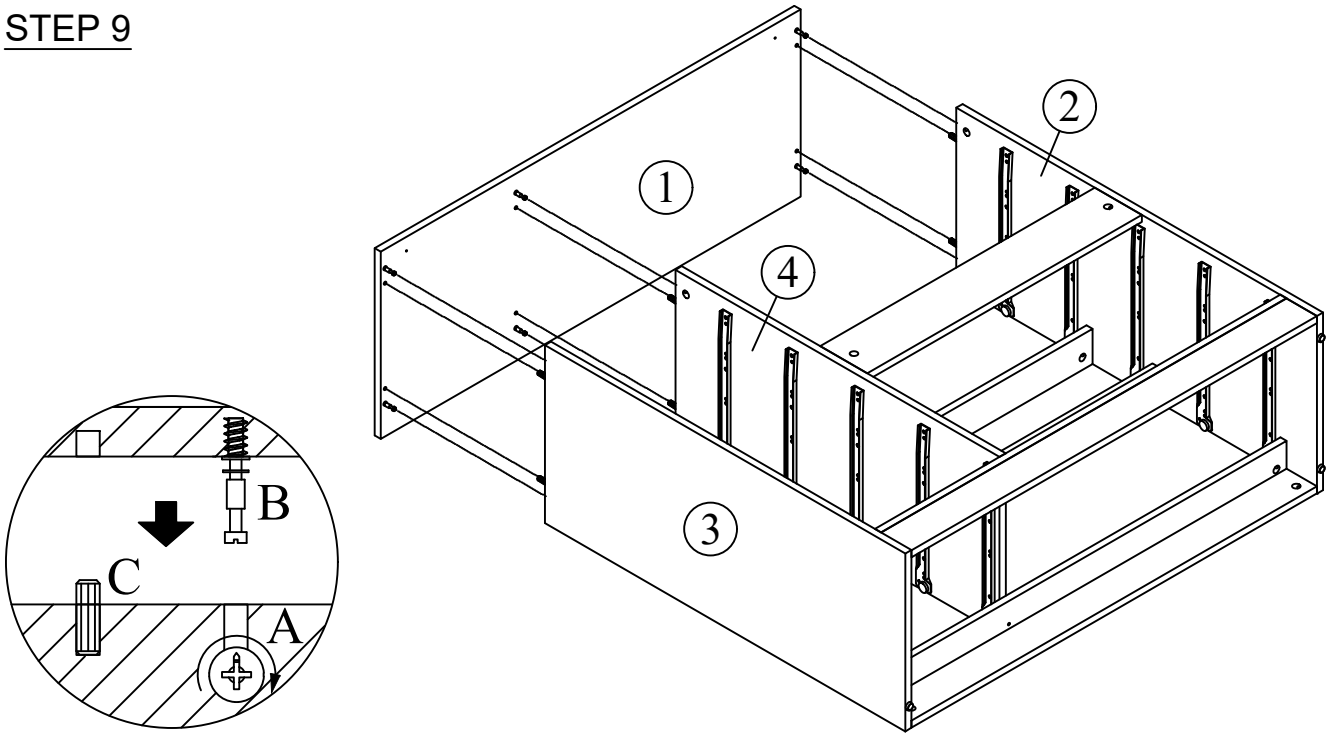
STEP 8






THE USE OF POWER TOOLS TO ASSEMBLE THIS PRODUCT WILL INVALIDATE ANY CLAIM AND MAY DAMAGE THIS PRODUCT MAKING IT UNSAFE.

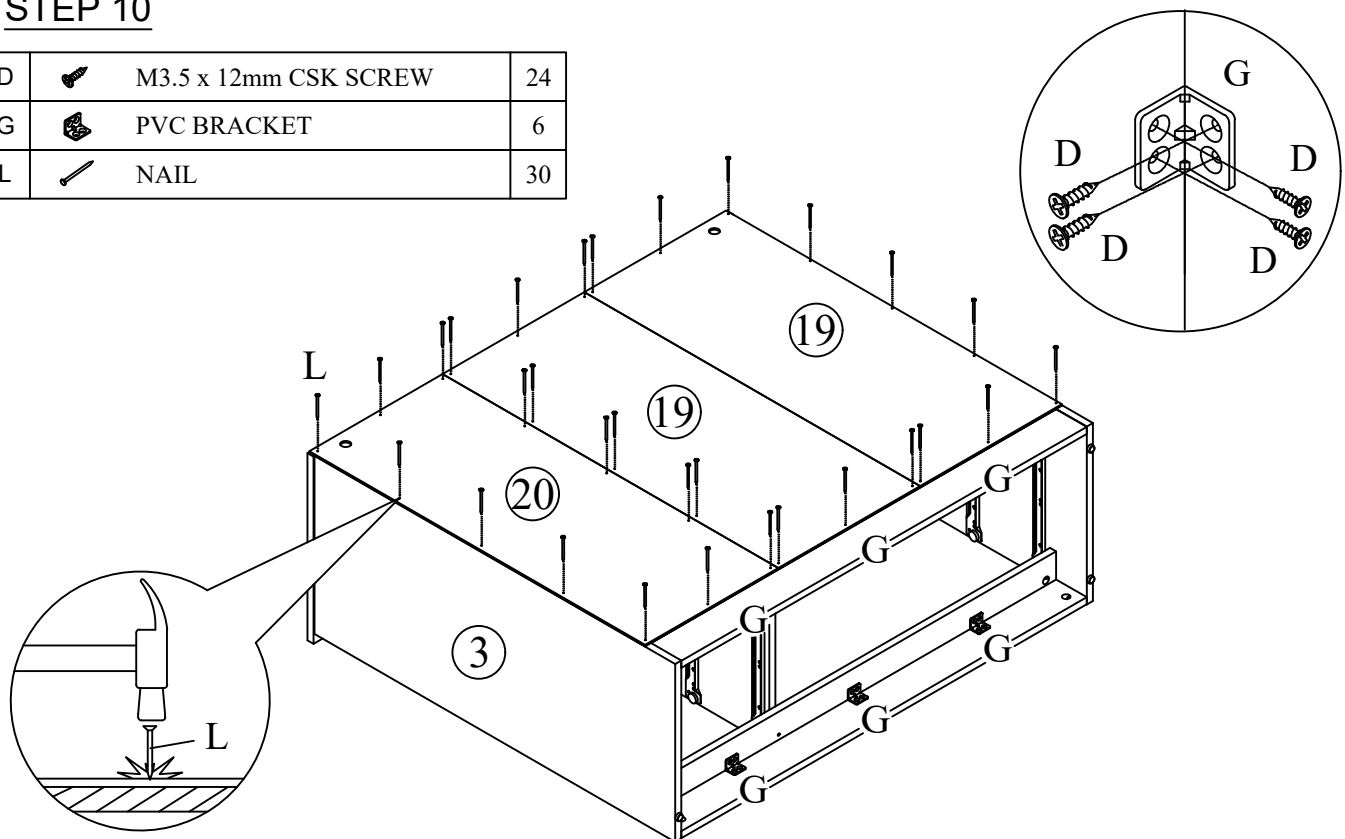


STEP 9



STEP 10

D		M3.5 x 12mm CSK SCREW	24
G		PVC BRACKET	6
L		NAIL	30

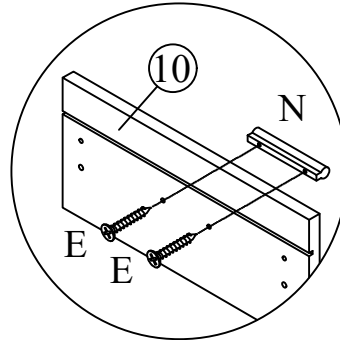


THE USE OF POWER TOOLS TO ASSEMBLE THIS PRODUCT WILL INVALIDATE ANY CLAIM AND MAY DAMAGE THIS PRODUCT MAKING IT UNSAFE.

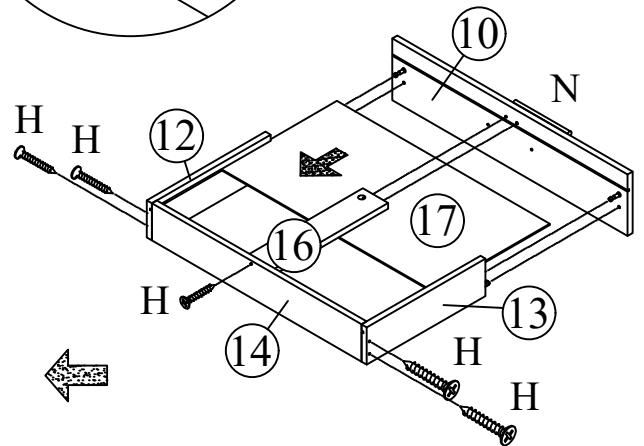
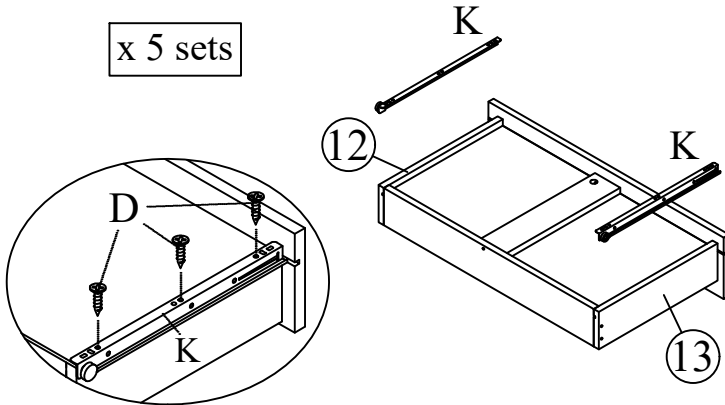


STEP 11

D		M3.5 x 12mm CSK SCREW	30
E		M3.5 x 25mm CSK SCREW	10
H		M4 x 38mm CSK SCREW	25
K		METAL RUNNER 14"	5
N		PVC HANDLE AC 85-189-128	5

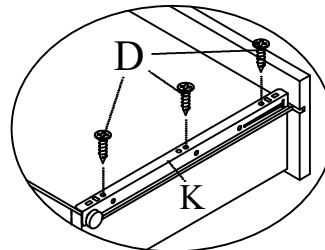


x 5 sets

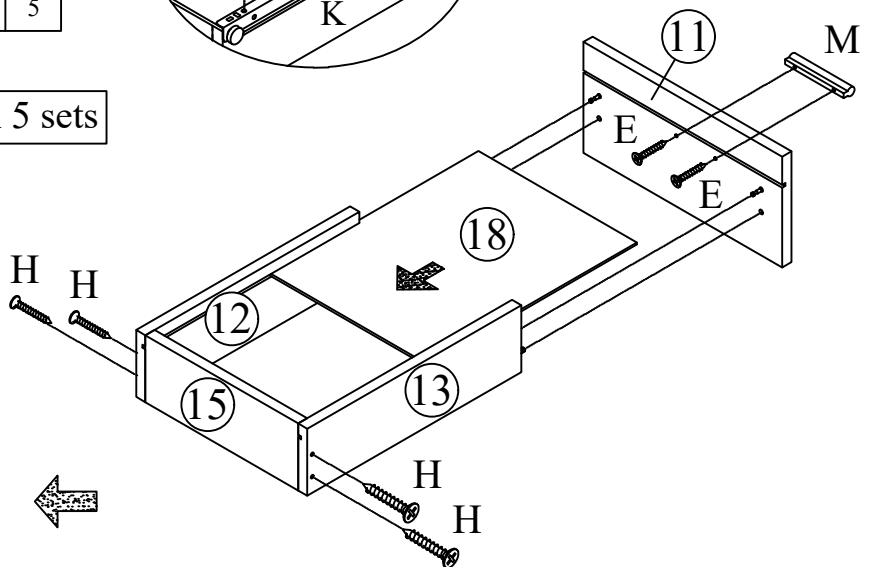
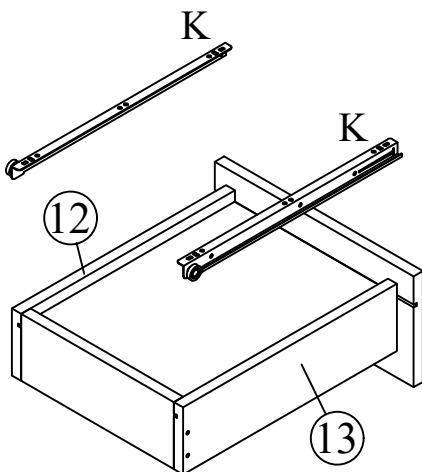


STEP 12

D		M3.5 x 12mm CSK SCREW	30
E		M3.5 x 25mm CSK SCREW	10
H		M4 x 38mm CSK SCREW	20
K		METAL RUNNER 14"	5
M		HANDLE AC 83-96-64	5



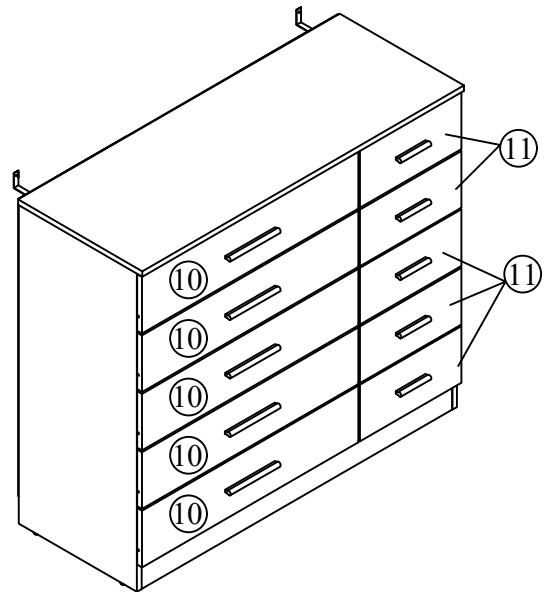
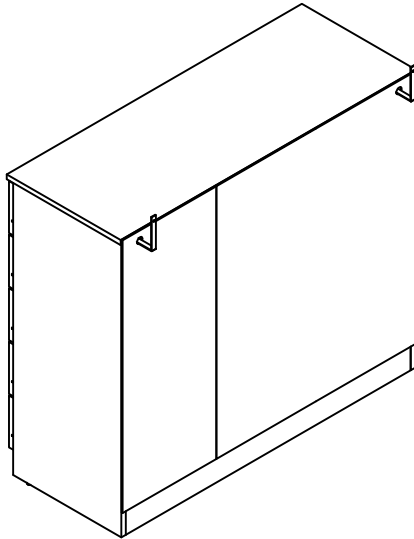
x 5 sets






THE USE OF POWER TOOLS TO ASSEMBLE THIS PRODUCT WILL INVALIDATE ANY CLAIM AND MAY DAMAGE THIS PRODUCT MAKING IT UNSAFE.

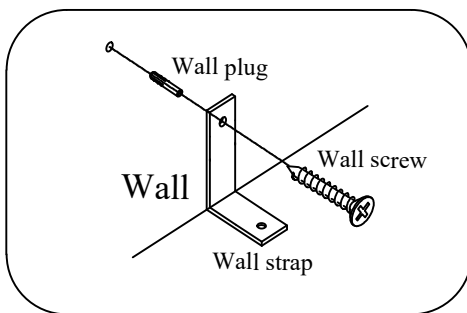


STEP 13



To secure the item to the wall use wall fixing strap, wall plug & screw.

	WALL FIXING STRAP	2
	WALL PLUG	2
	SCREW	2



WARNING

Serious or fatal crushing injuries can occur from furniture tipover. To help prevent tip-over:

- *Install tipover restraint provided.
- *Place heaviest items in the lowest drawers.
- *Unless specifically designed to accommodate. Unless specifically designed to accommodate to this product.
- *Never allow children to climb or hang on drawers, doors or shelves.
- *Never open more than one drawer at a time.
- *Do not defeat or remove the drawer interlock system.

Use of tip-over restraints may only reduce, but not eliminate, the risk of tip-over.

This is a permanent label. Do not attempt to remove!

PLEASE NOTE that wall plug & screw are not supplied as different wall materials require different fixing devices. You must use fixings devices suitable for the type of wall you intend to mount product to. Ensure the head of any screw used has a diameter greater than the mounting hole and the fixing is safe and secure before use.