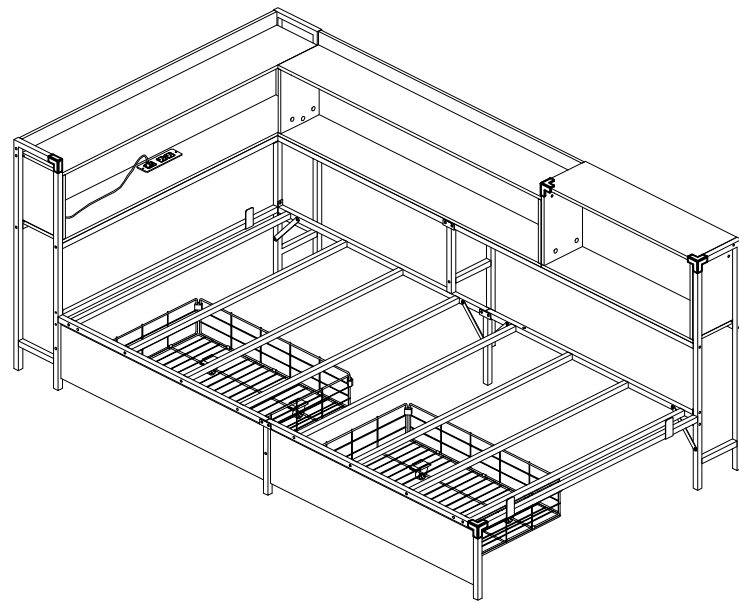


# Assembly Instructions

**A**



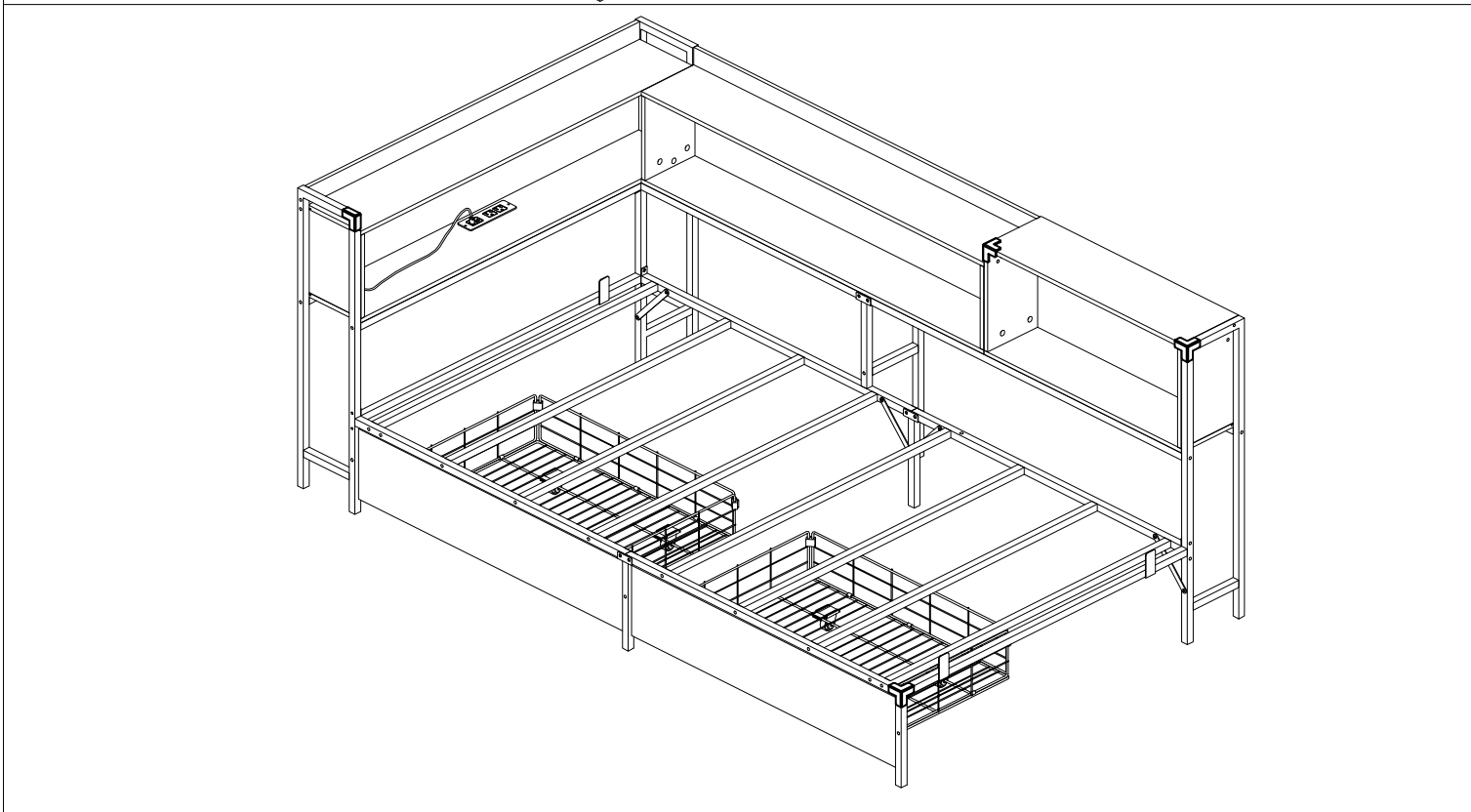
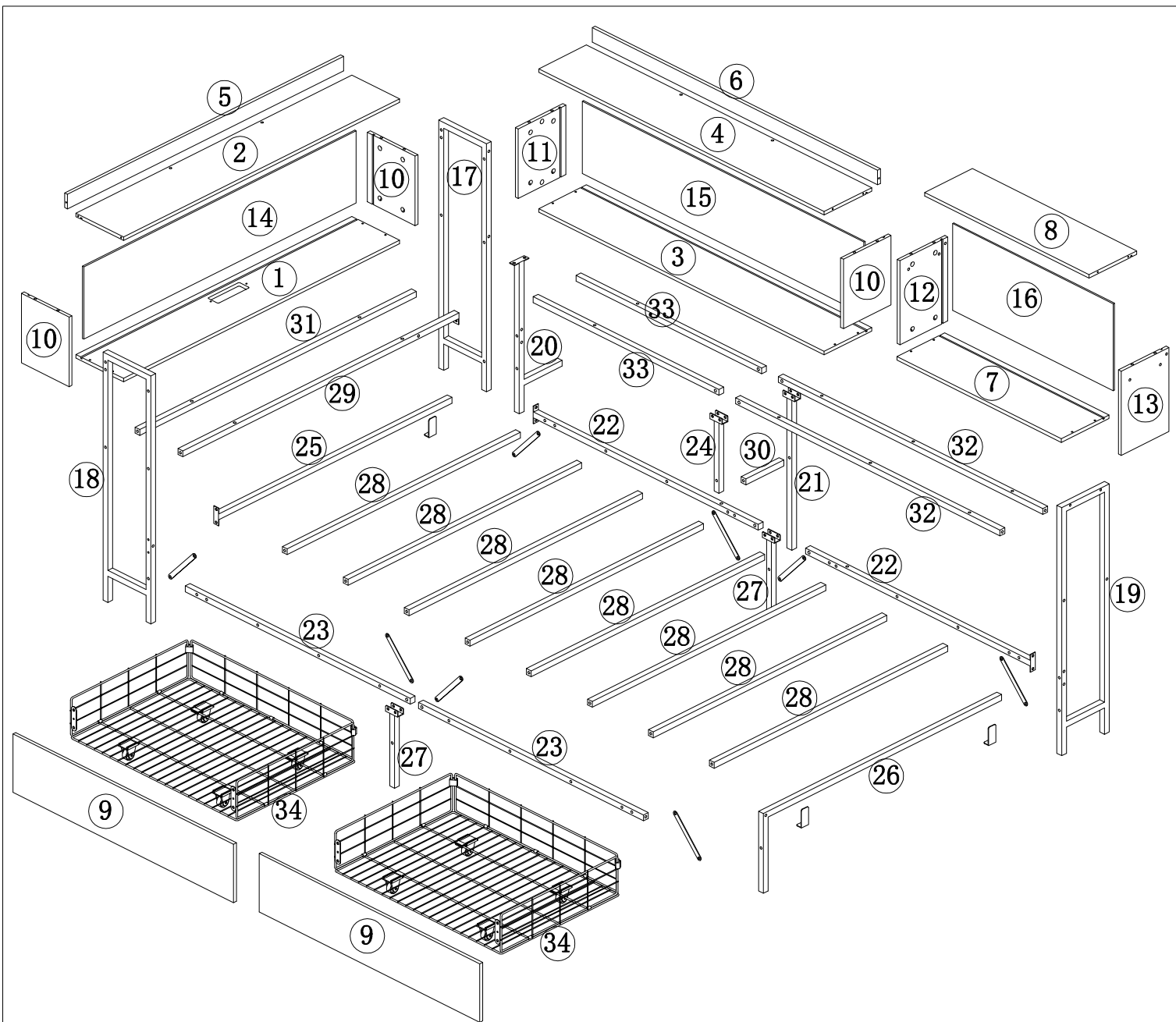
## Part Identification

① 1 PC 	② 1 PC 		
③ 1 PC 	④ 1 PC 		
⑤ 1 PC 	⑥ 1 PC 		
⑦ 1 PC 	⑧ 1 PC 	⑨ 2 PCS 	
⑩ 3 PCS 	⑪ 1 PC 	⑫ 1 PC 	⑬ 1 PC 
⑭ 1 PC 	⑮ 1 PC 	⑯ 1 PC 	

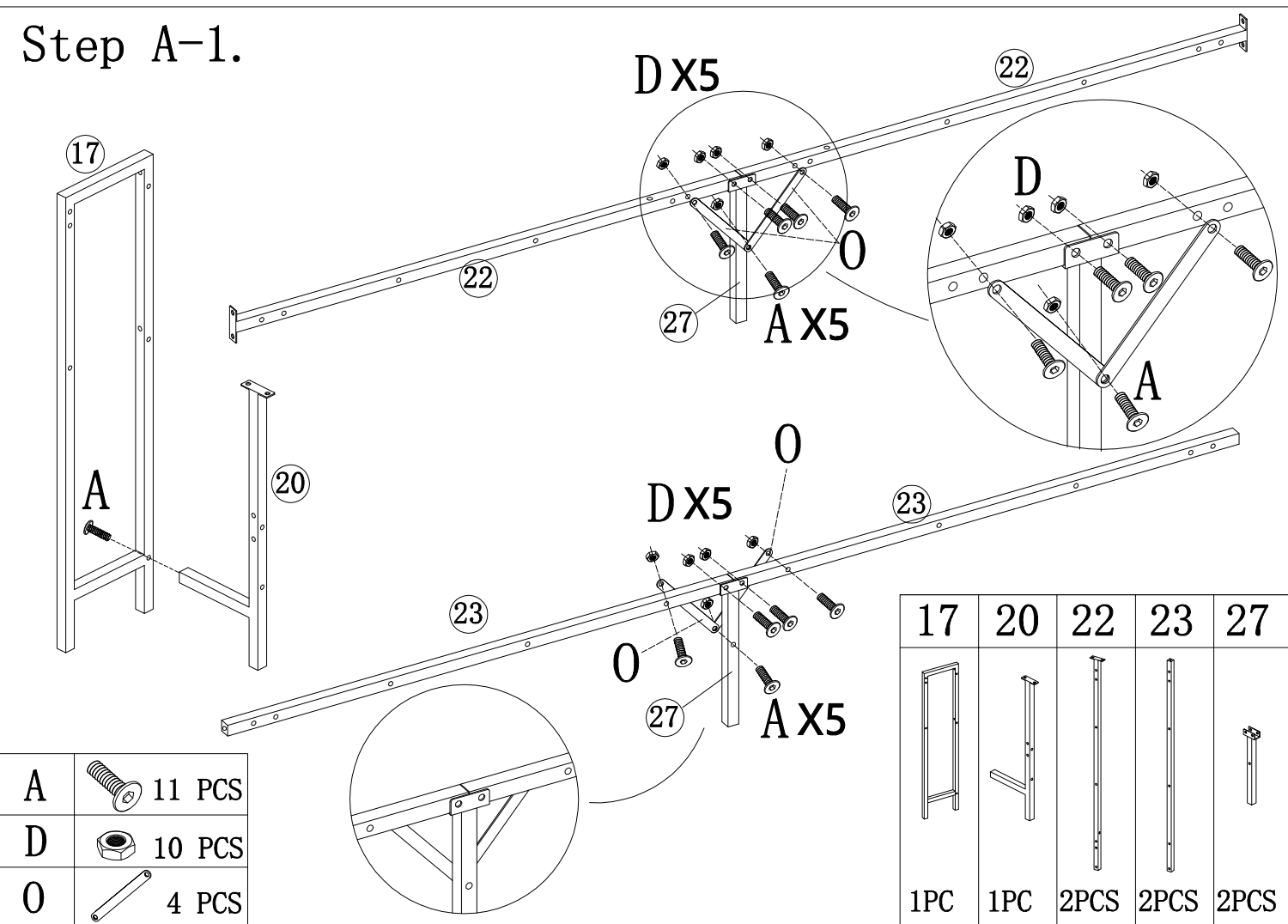
⑰ 1 PC 	⑱ 1 PC 	⑲ 1 PC 	⑳ 1 PC 	㉑ 1 PC 
㉒ 2 PCS 	㉓ 2 PCS 	㉔ 1 PC 	㉕ 2 PCS 	㉖ 2 PCS 
㉗ 8 PCS 	㉘ 1 PC 	㉙ 1 PC 	㉚ 1 PC 	㉛ 2 PCS 
㉜ 1 PC 	㉝ 2 PCS 	㉞ 2 PCS 		

## Hardware Identification

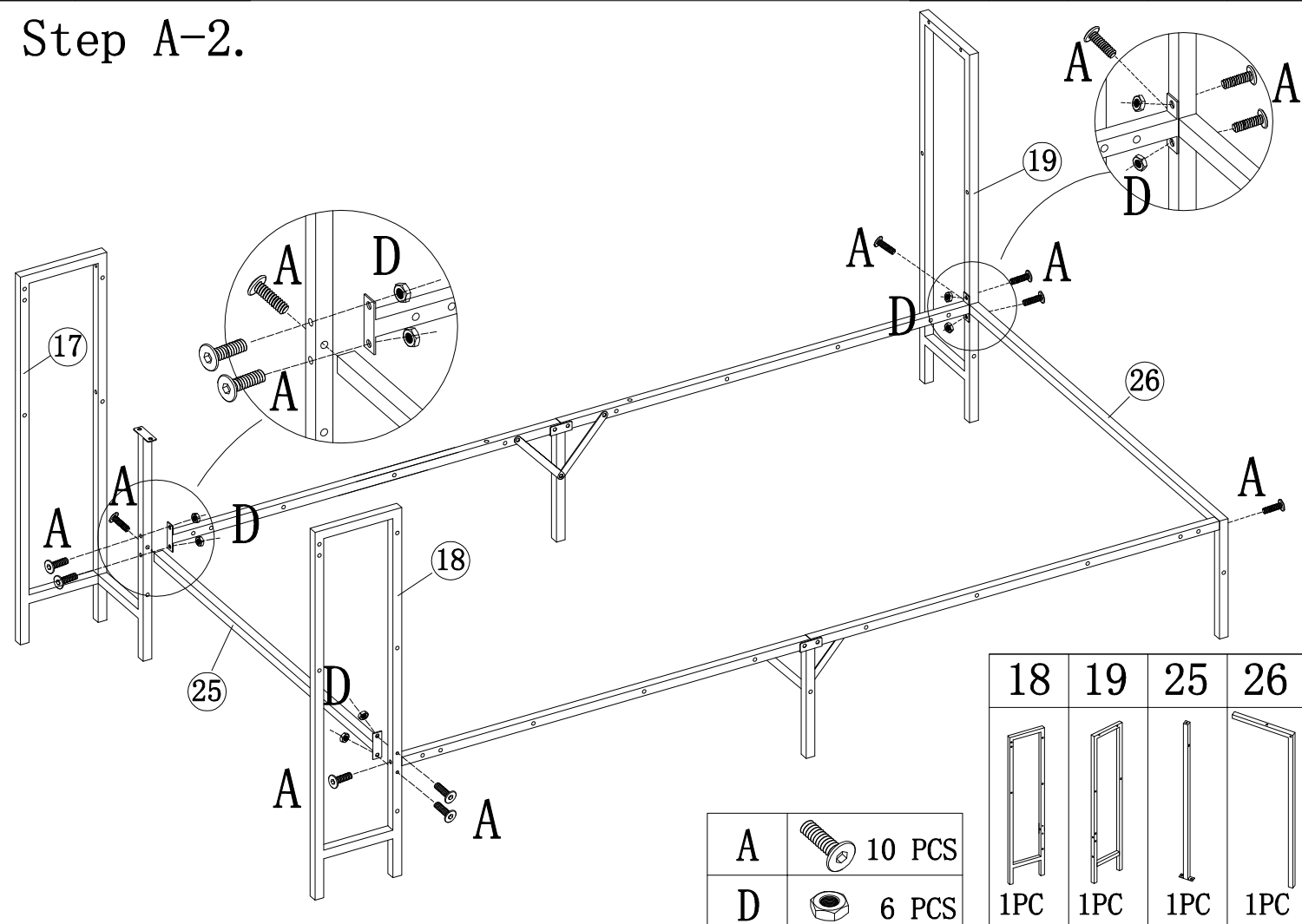
<b>A</b>  M6*30 60 PCS	<b>B</b>  M6*25 12 PCS	<b>C</b>  M6*10 15 PCS	<b>D</b>  M6 29 PCS	<b>E</b>  ST5*40 16 PCS	<b>F</b>  10 PCS	<b>G</b>  ST3.5*12 22 PCS
<b>H</b>  1 PC	<b>I</b>  1 PC	<b>J</b>  24 PCS	<b>K</b>  24 PCS	<b>L</b>  4 PCS	<b>M</b>  8 PCS	<b>N</b>  3 PCS
<b>O</b>  8 PCS	<b>P</b>  2 PCS	<b>Q</b>  3 PCS	<b>R</b>  1 PC	<b>S</b>  1 PC	<b>T</b>  1 PC	<b>U</b>  1 PC



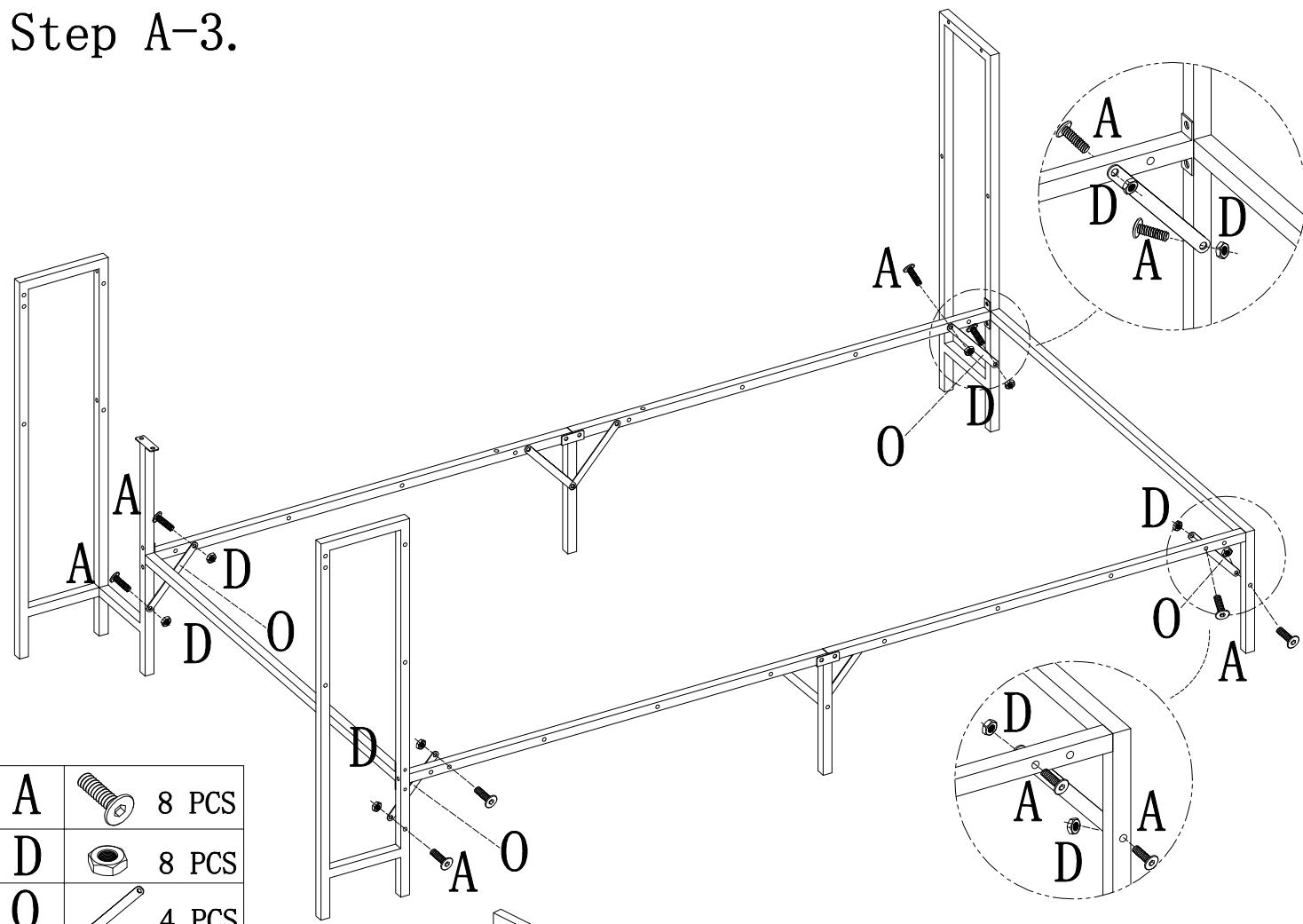
### Step A-1.



### Step A-2.

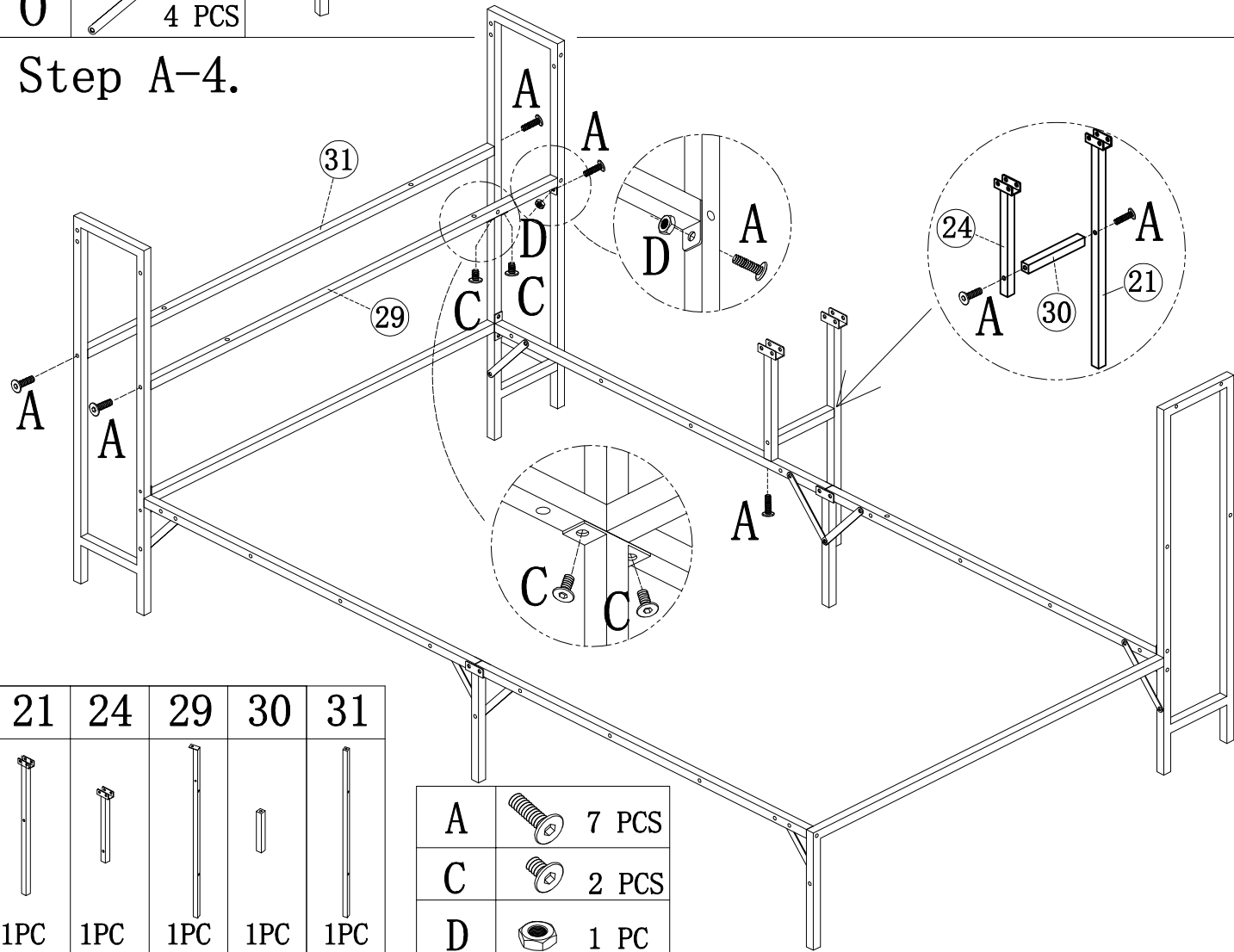


### Step A-3.



A		8 PCS
D		8 PCS
O		4 PCS

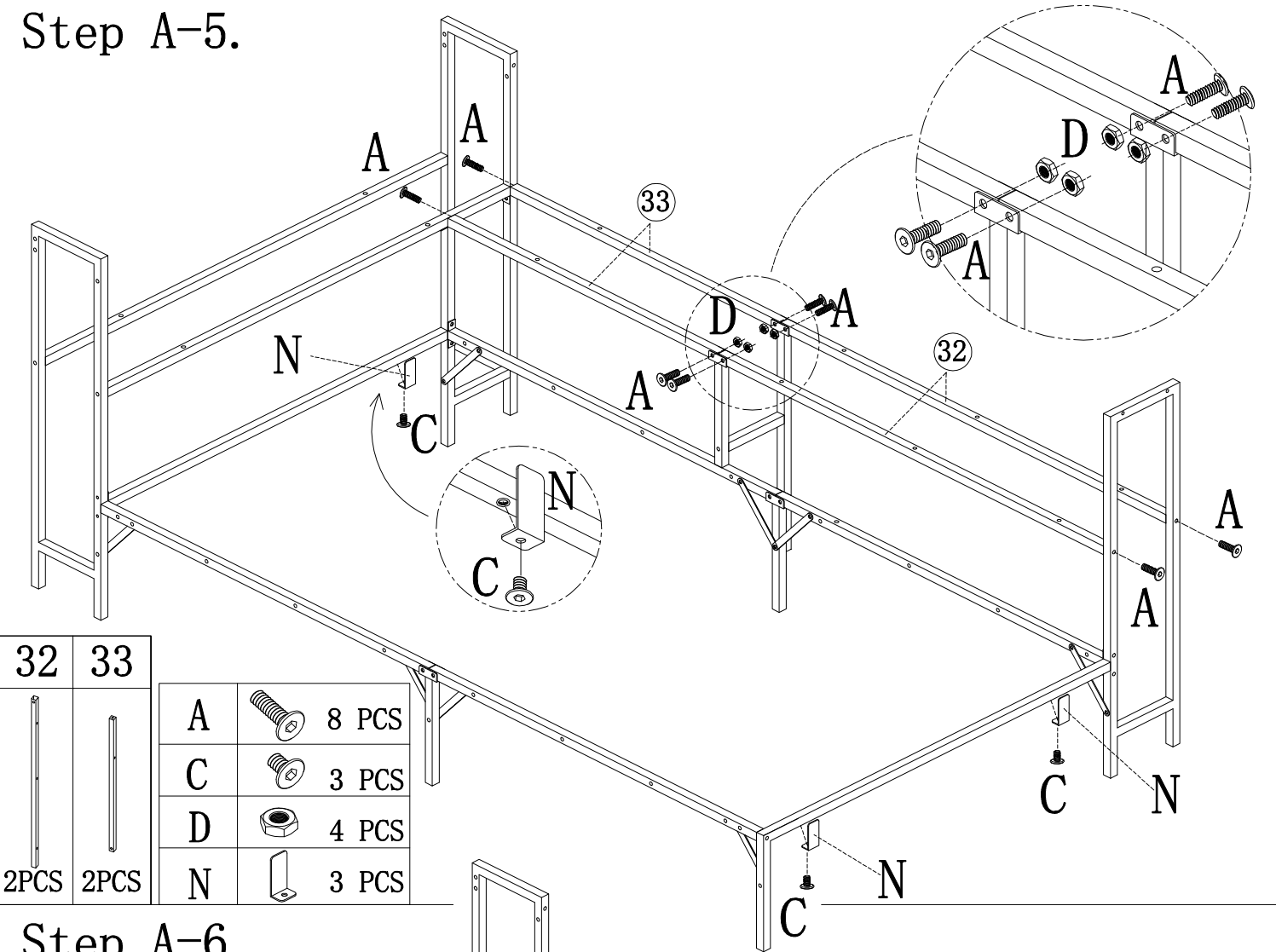
### Step A-4.



21	24	29	30	31
1PC	1PC	1PC	1PC	1PC

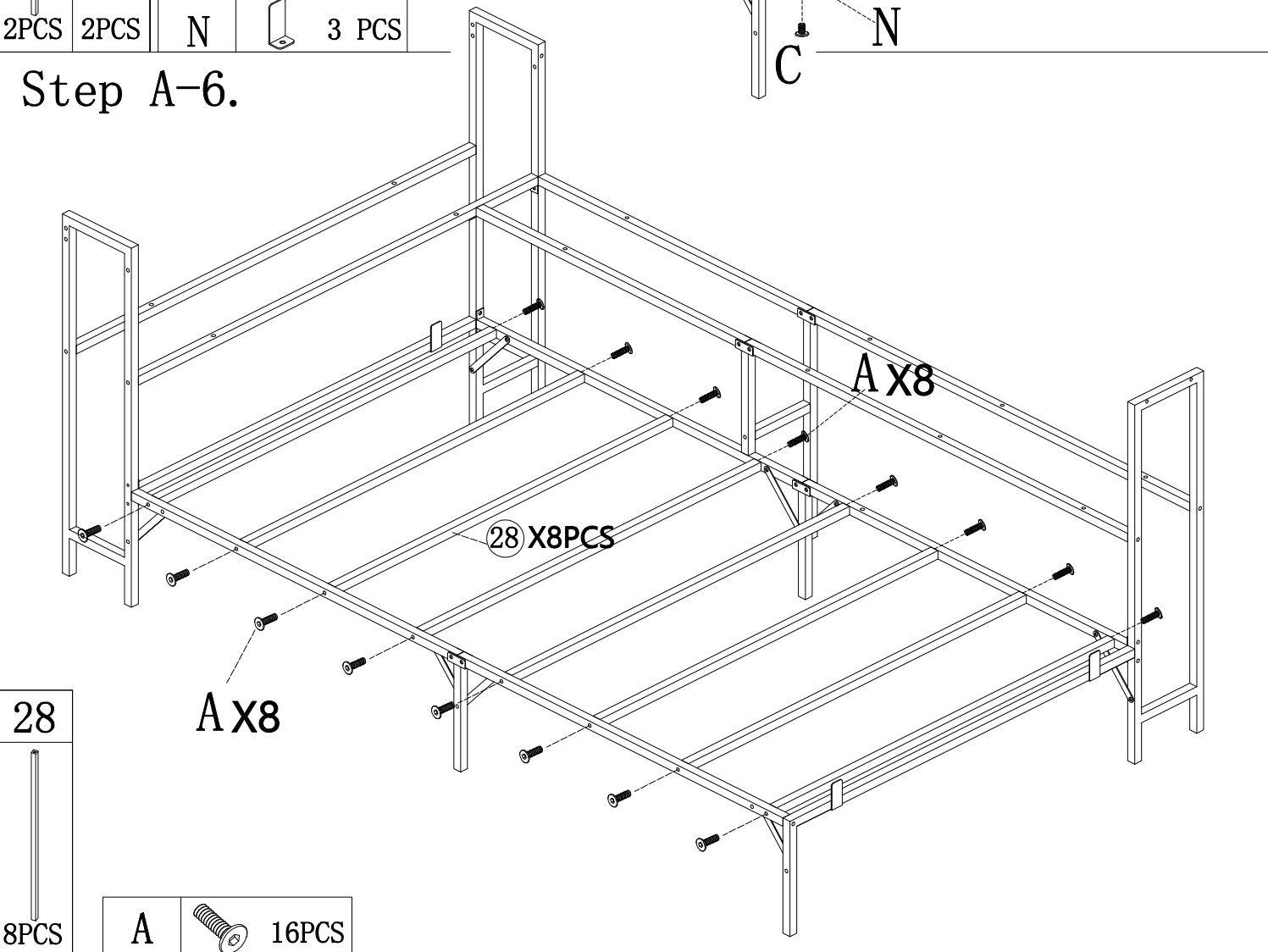
A		7 PCS
C		2 PCS
D		1 PC

### Step A-5.



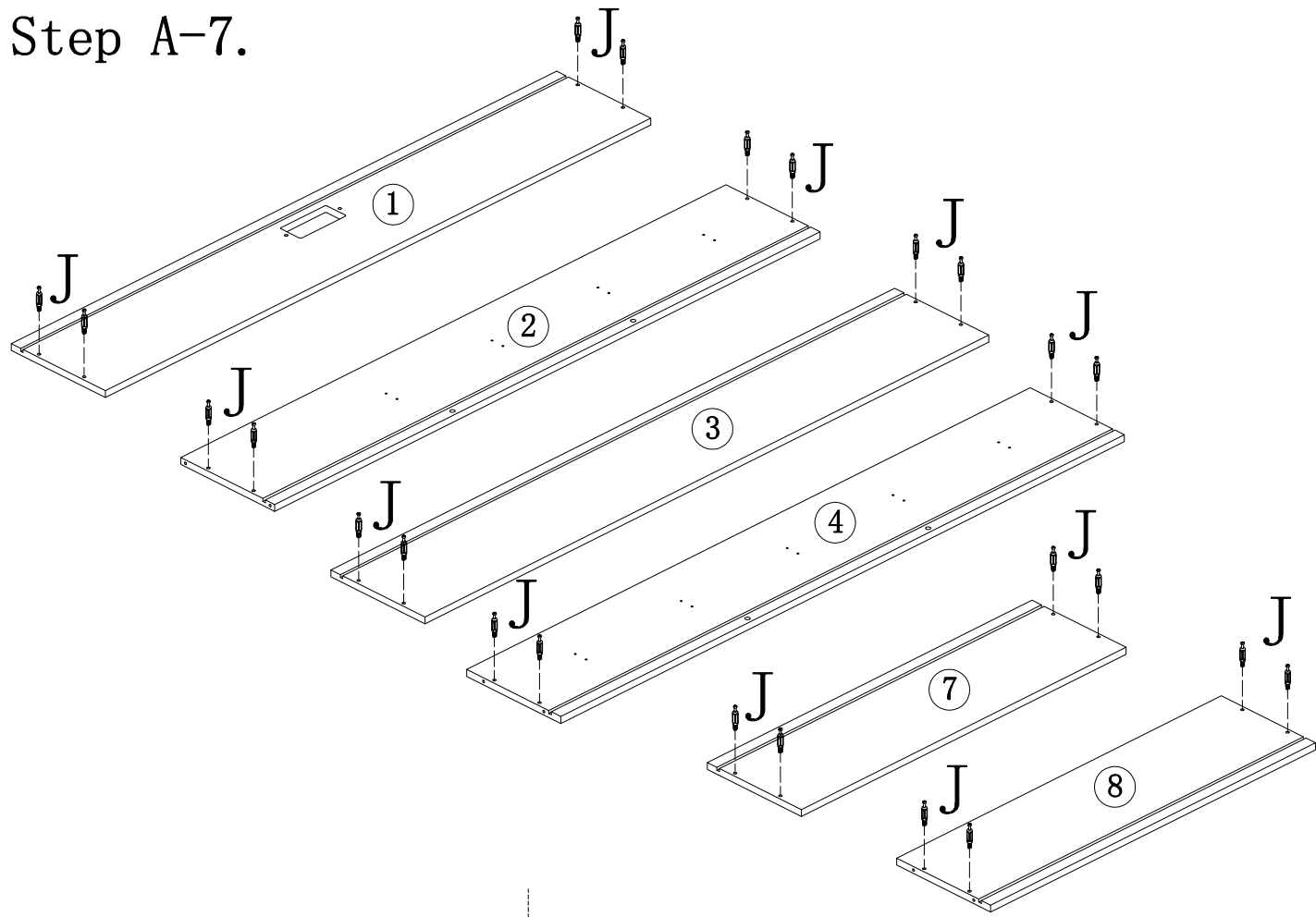
32	33	A		8 PCS
		C		3 PCS
2PCS	2PCS	D		4 PCS
		N		3 PCS

### Step A-6.



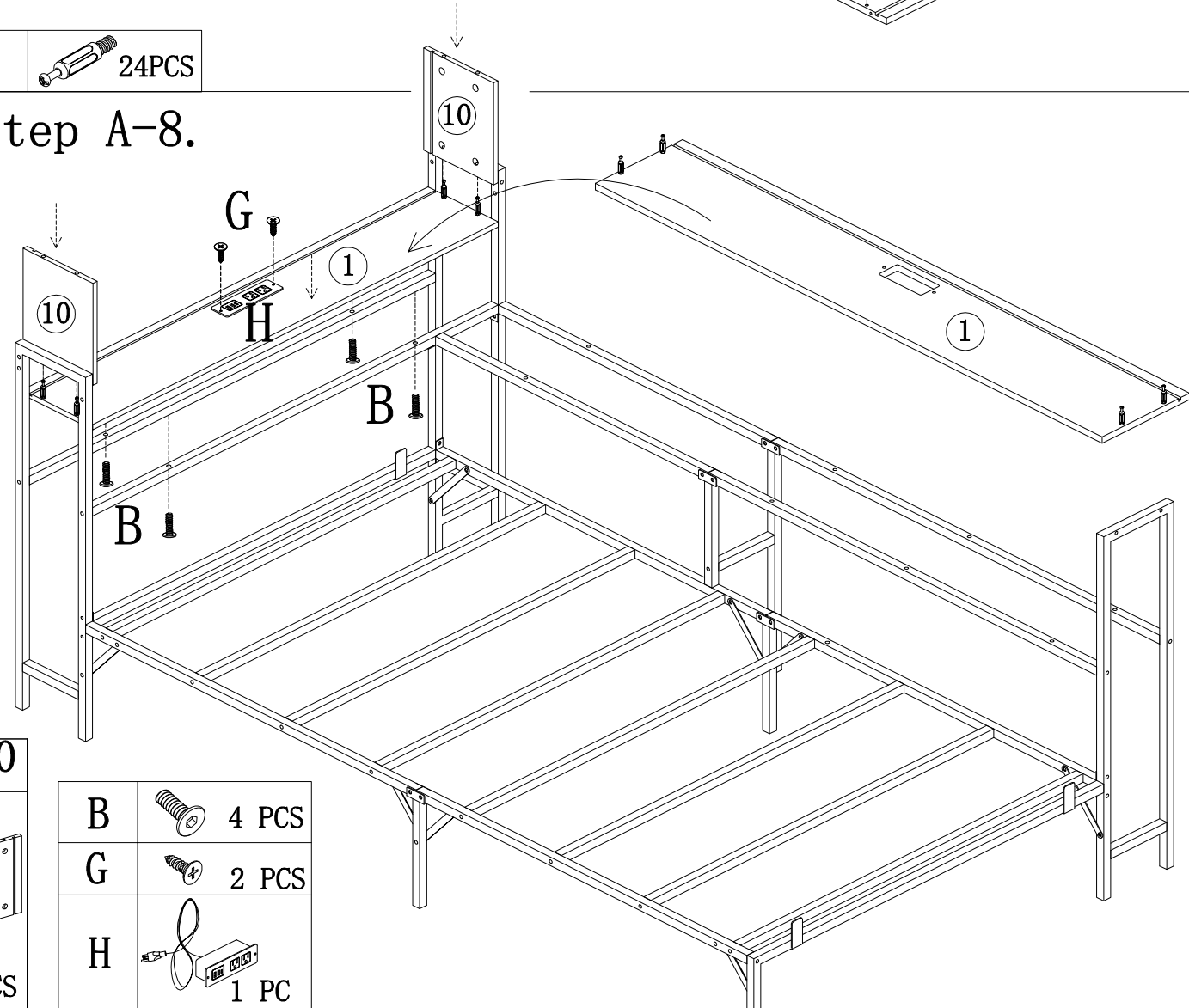
28	A		16PCS
8PCS			

Step A-7.



J 24PCS

Step A-8.



10

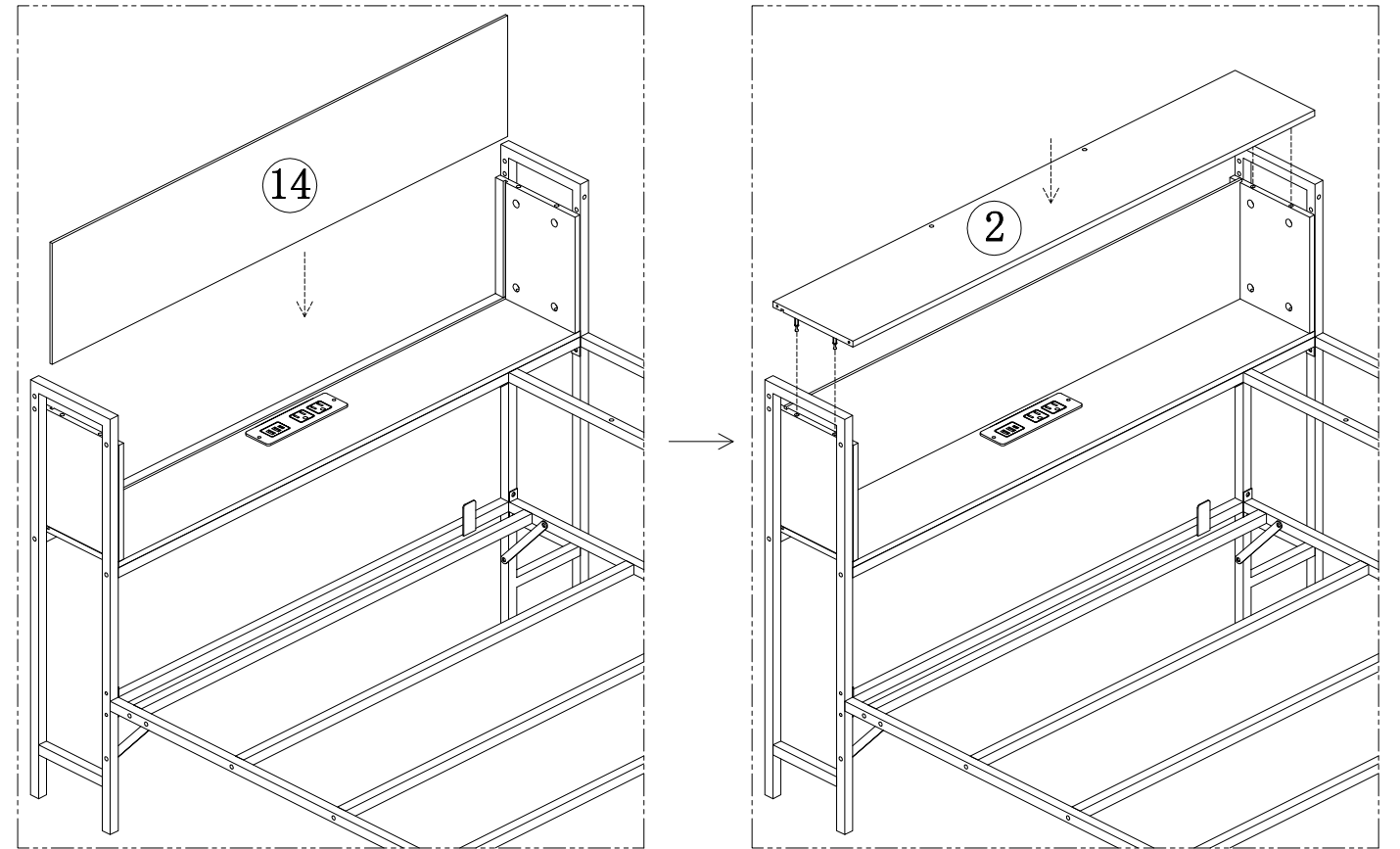
2PCS

B 4 PCS

G 2 PCS

H 1 PC

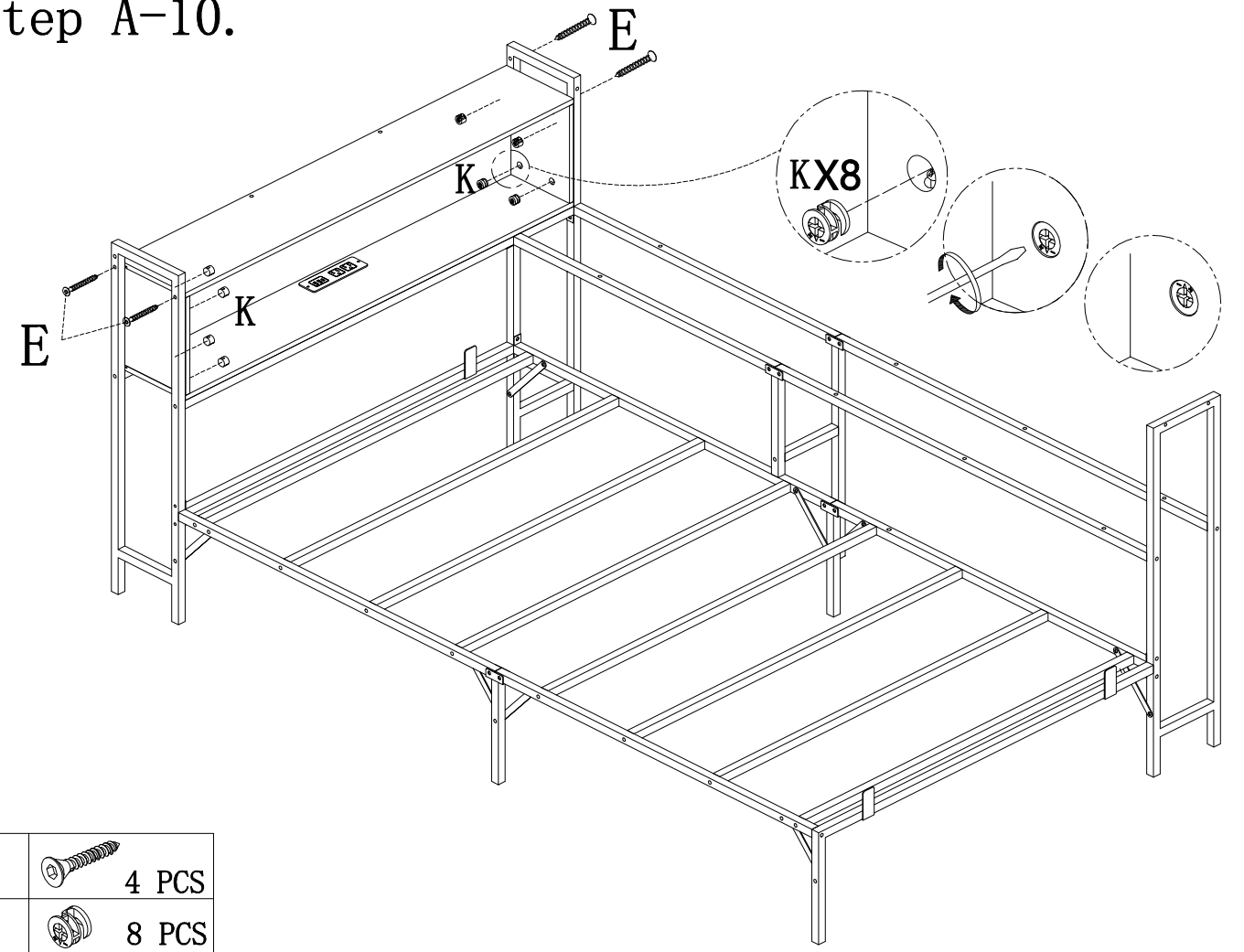
Step A-9.



14

1PC

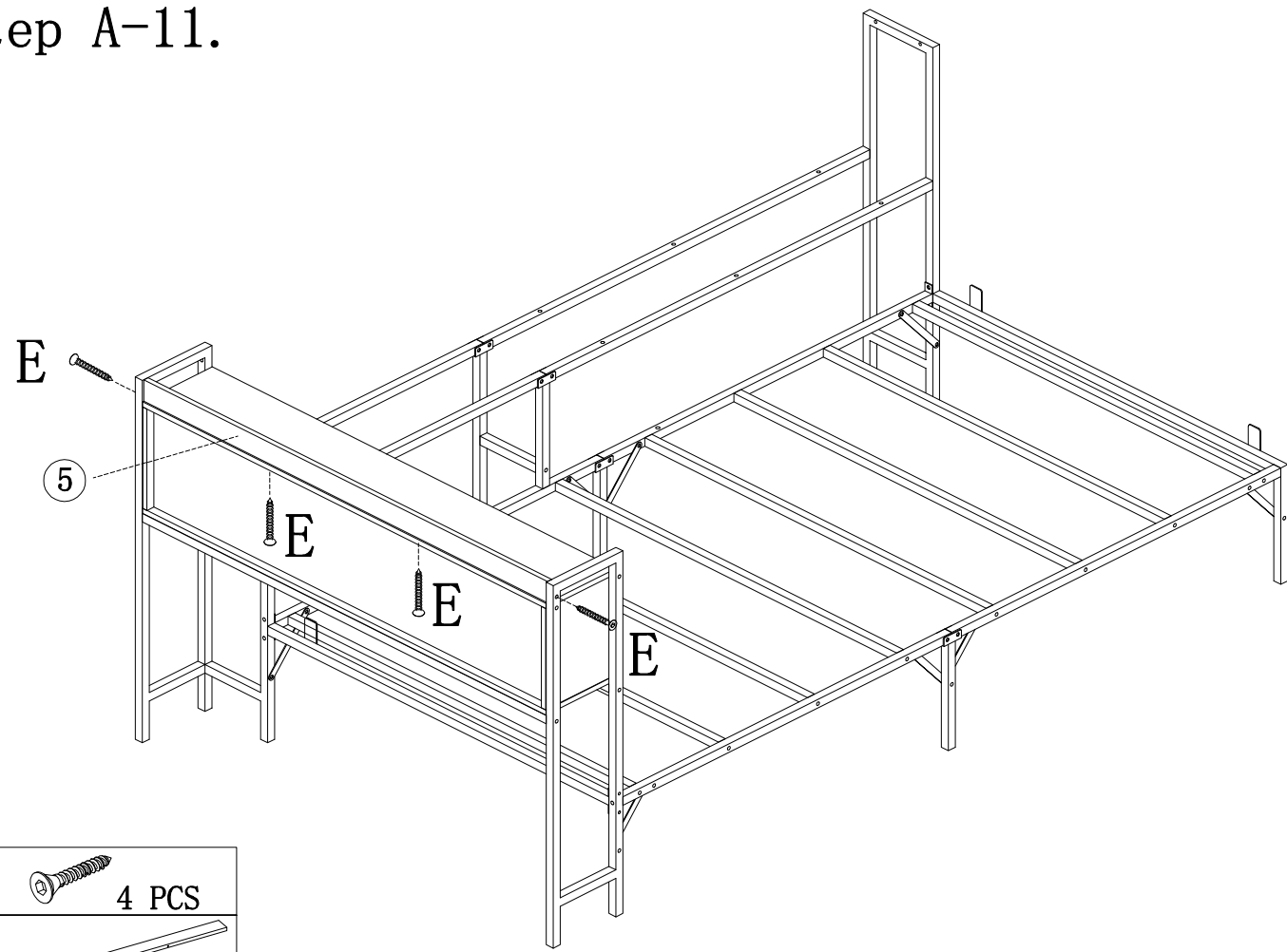
Step A-10.





E 4 PCS

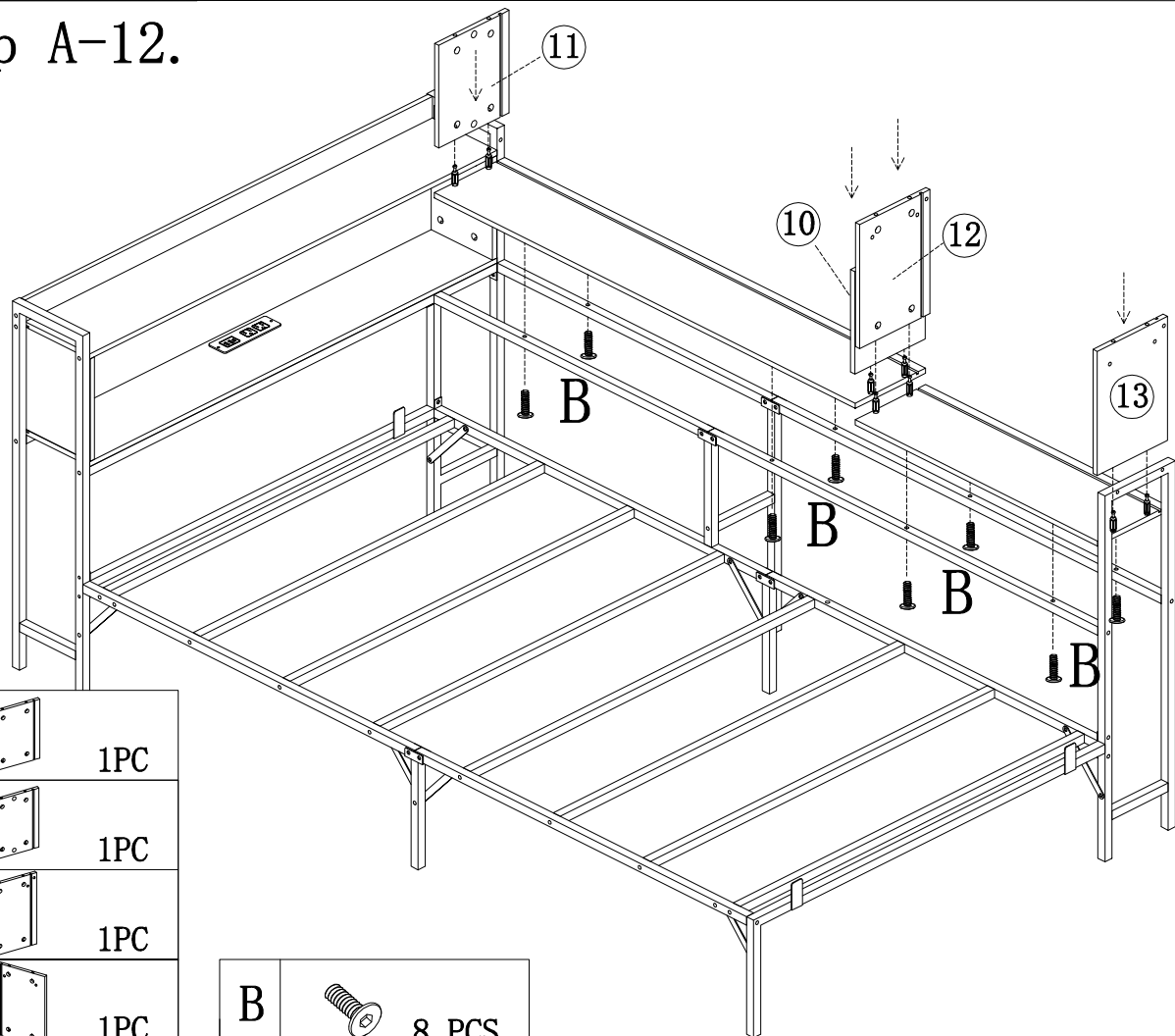
K 8 PCS

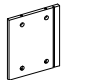
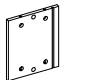
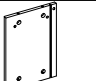
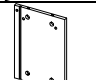

Step A-11.



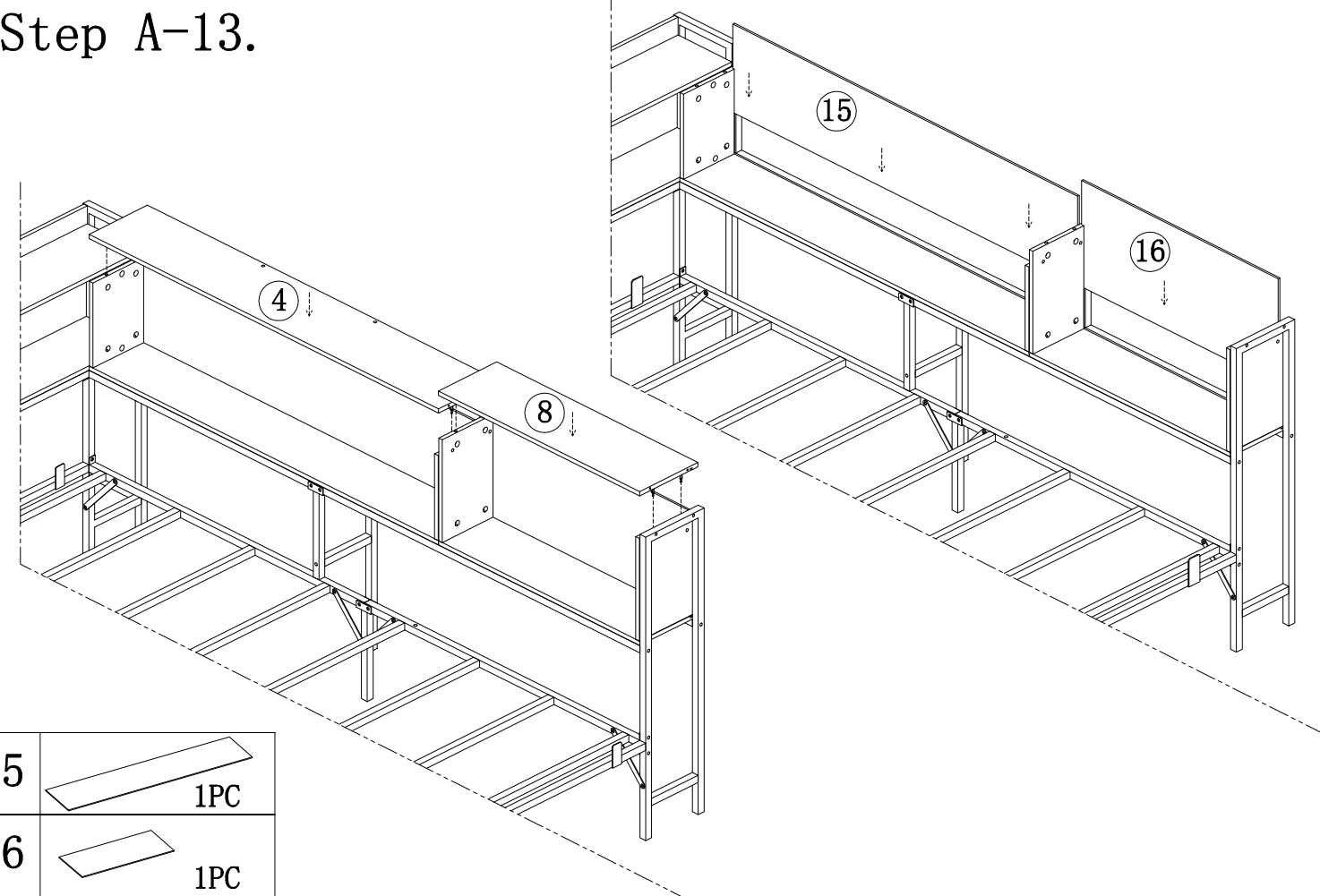
E		4 PCS
5		1PC


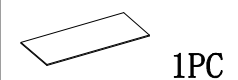
Step A-12.



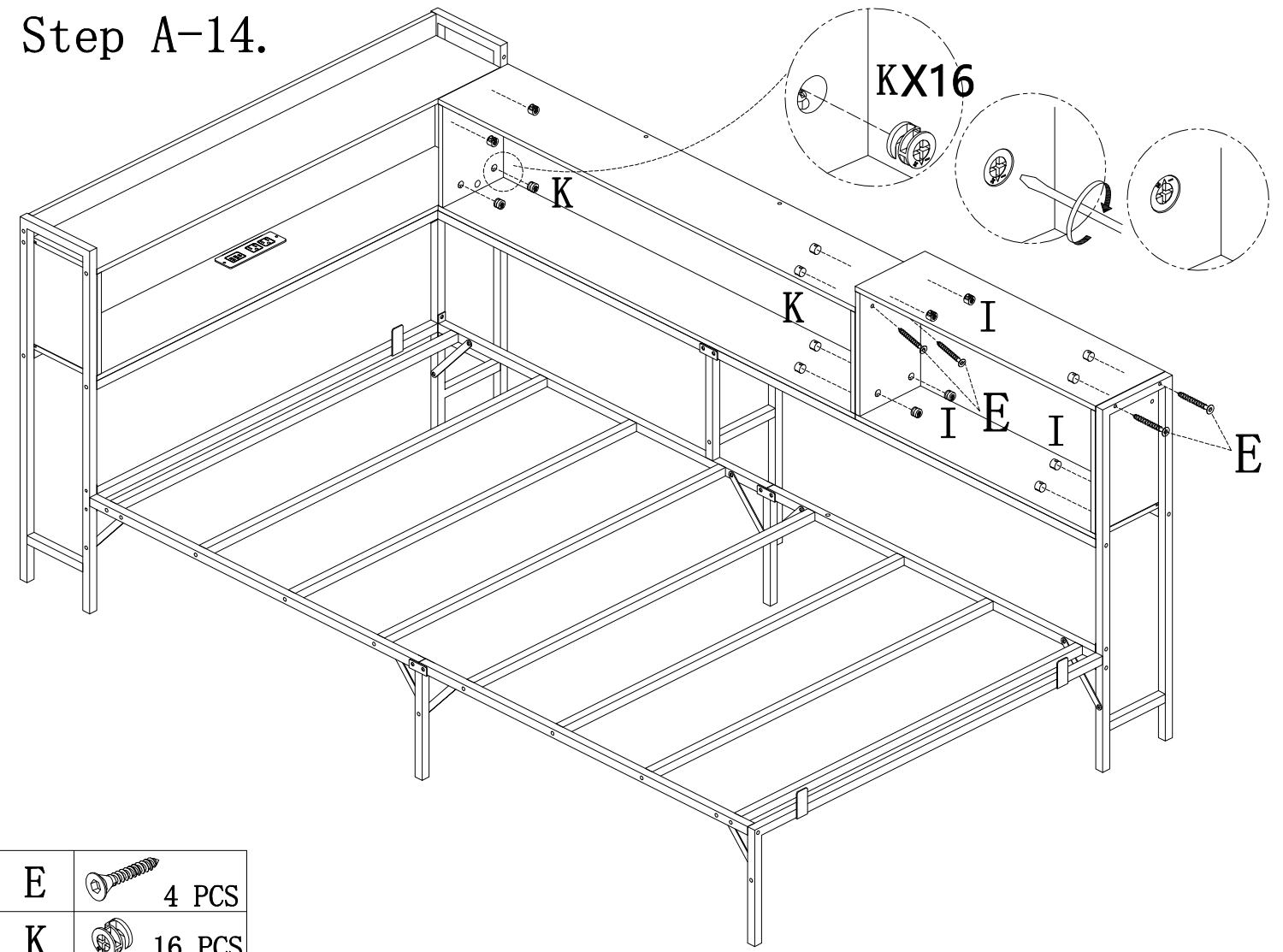
10		1PC
11		1PC
12		1PC
13		1PC
B		8 PCS



Step A-13.



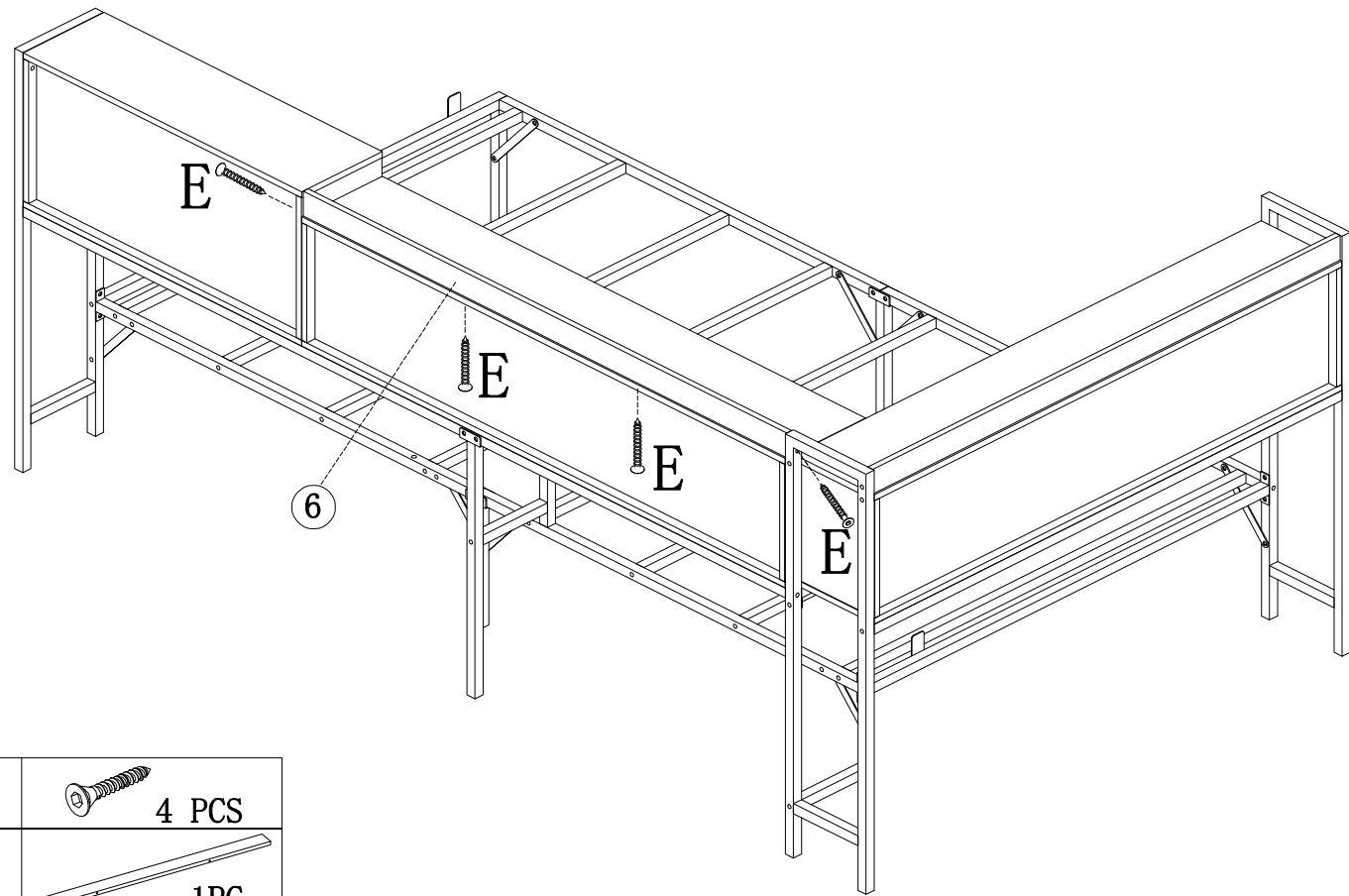
15		1PC
16		1PC



Step A-14.



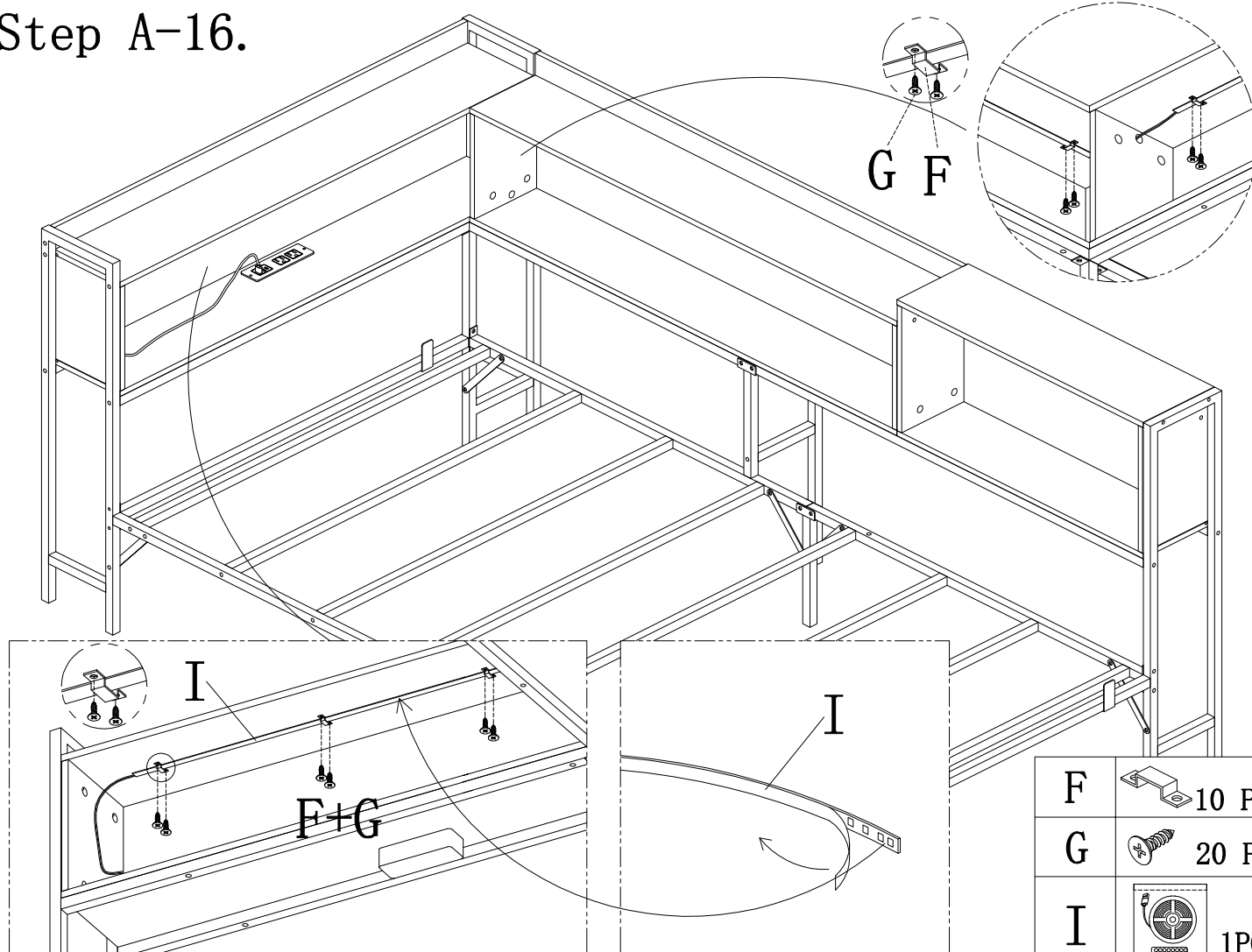
E		4 PCS
K		16 PCS




### Step A-15.



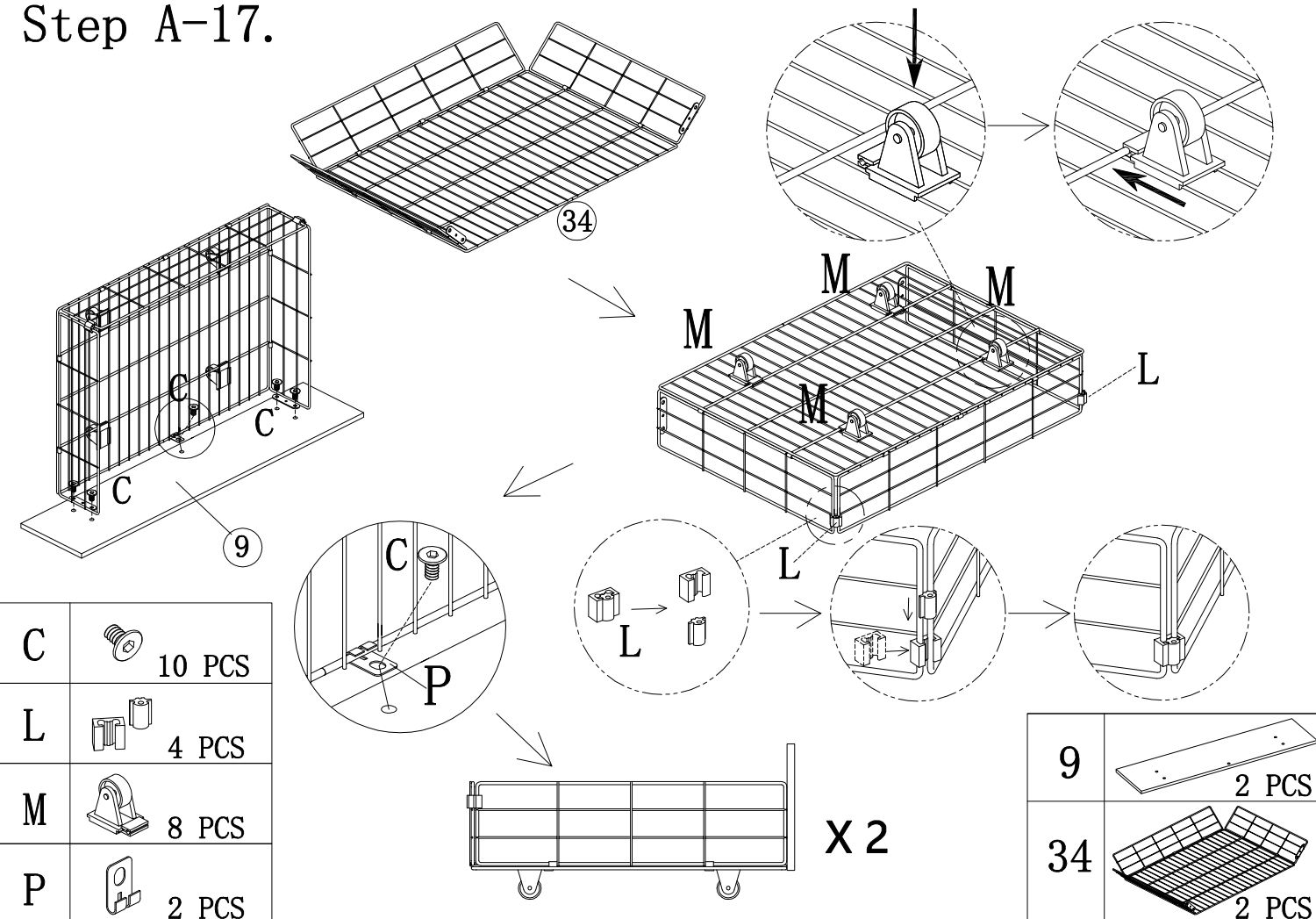
E		4 PCS
6		1PC





### Step A-16.

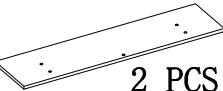
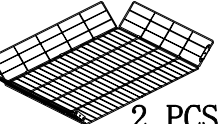


F		10 PCS
G		20 PCS
I		1PC

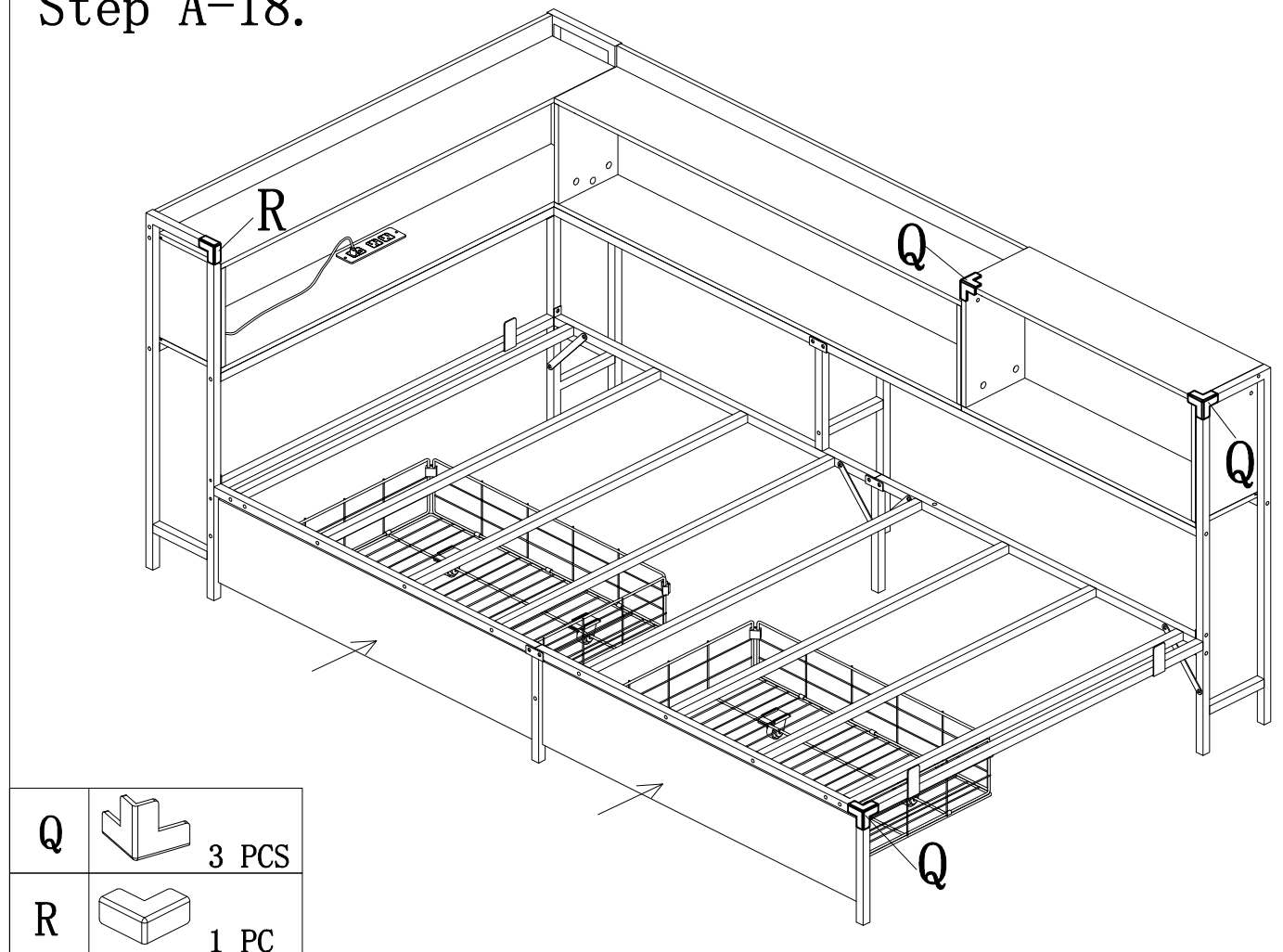
### Step A-17.

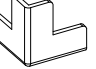
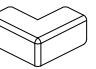


C		10 PCS
L		4 PCS
M		8 PCS
P		2 PCS

9		2 PCS
34		2 PCS

### Step A-18.



Q		3 PCS
R		1 PC