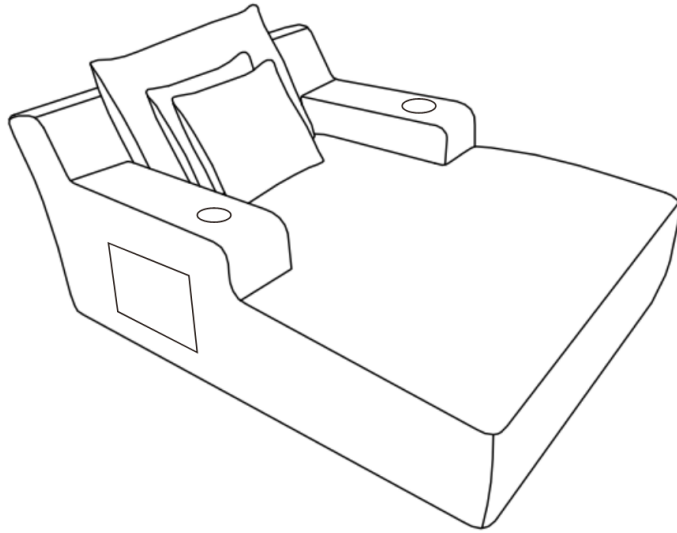


ASSEMBLY INSTRUCTION



Return & Warranty policy:

—We strive to offer the highest quality products, and we also try our best to satisfy each and every customer that orders from us with replacement parts/or service as needed.

—If the item is damaged or defective, please take photos as evidence for replacements and refunds.

—Please do not return to store, contact the seller if you have any trouble with this product.

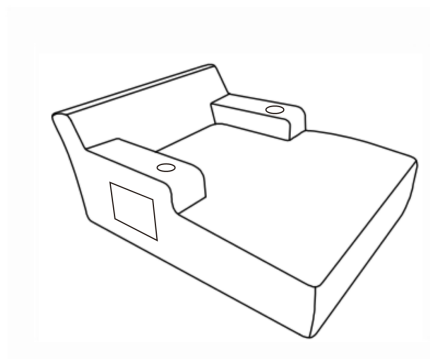
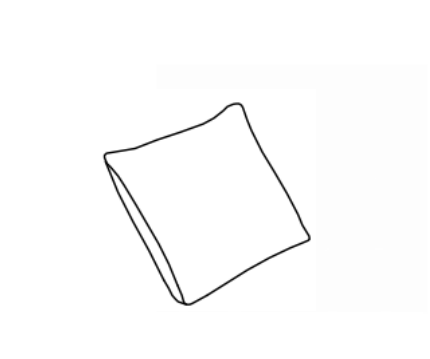
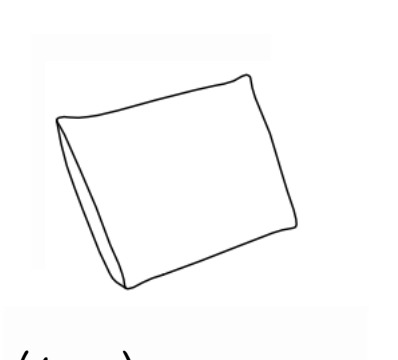
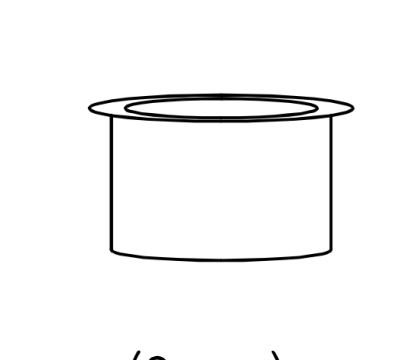
Page : 1 OF 9

TIPS

1. Due to differences of light effects, the actual color of the materials might be slightly different from the pictures.
2. No Assembly Required. This sofa can free of your stereotyped nightmare of furniture assembly.
3. Due to package compression for better shipment, the fabric may have wrinkles.
4. Please take all packages out and pat every part to make it rebound better and fluffy, so that it can restore to picture-like status.
5. Please keep children away from the plastic bags.

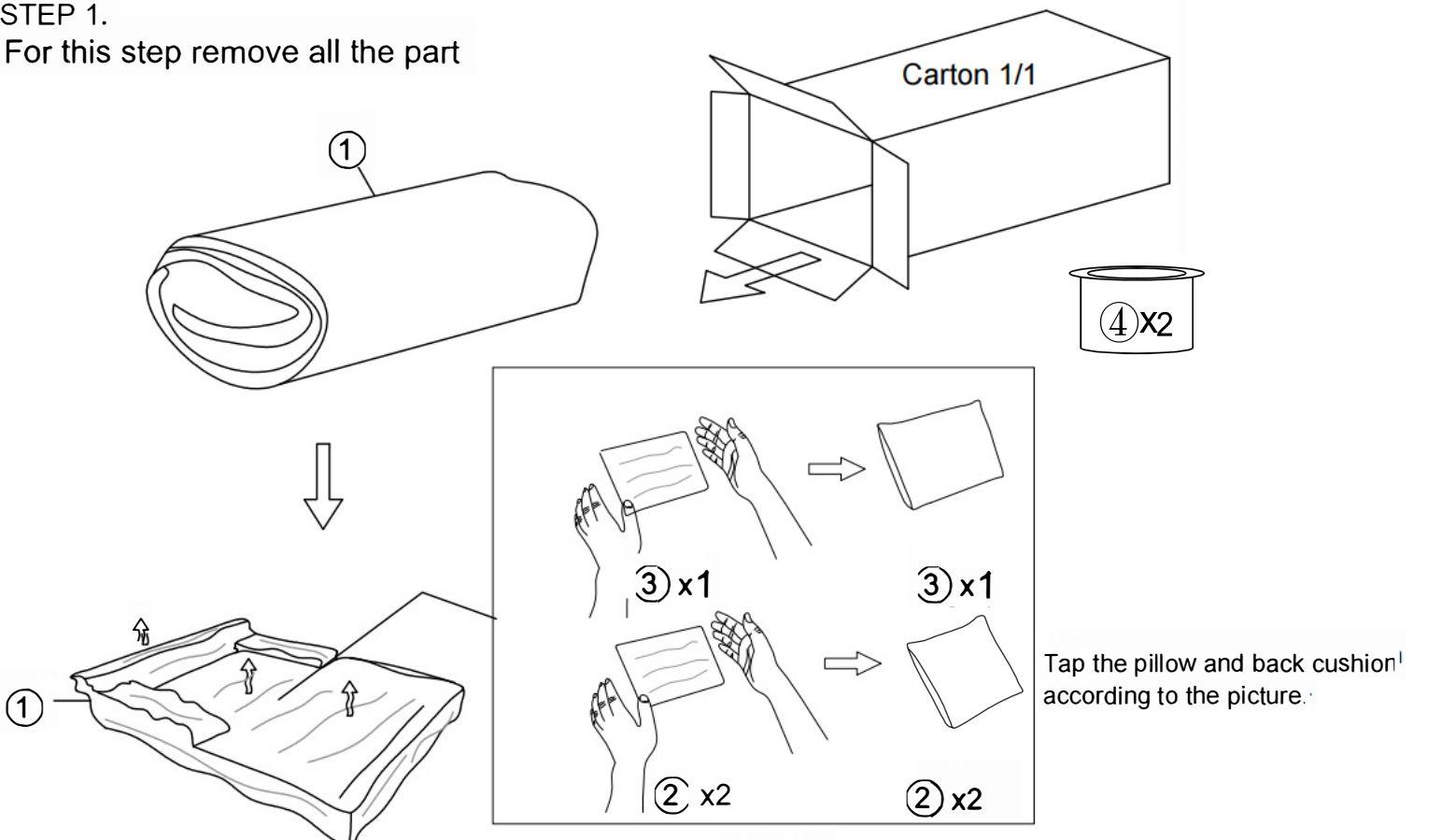
Page : 2 OF 9

ASSEMBLY PART

<p>1.</p>  <p>(1PC)</p>	<p>2.</p>  <p>(2PCS)</p>
<p>3.</p>  <p>(1PC)</p>	<p>4.</p>  <p>(2PCS)</p>

ASSEMBLY INSTRUCTION

STEP 1.
For this step remove all the part



1

Carton 1/1

4 x 2

3 x 1

2 x 2

3 x 1

2 x 2

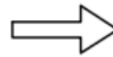
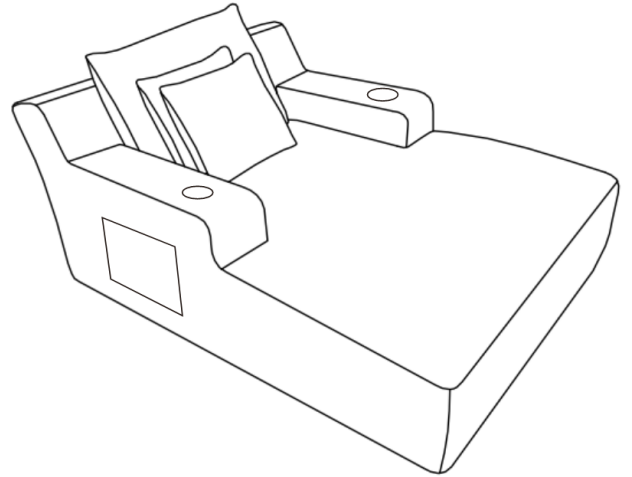
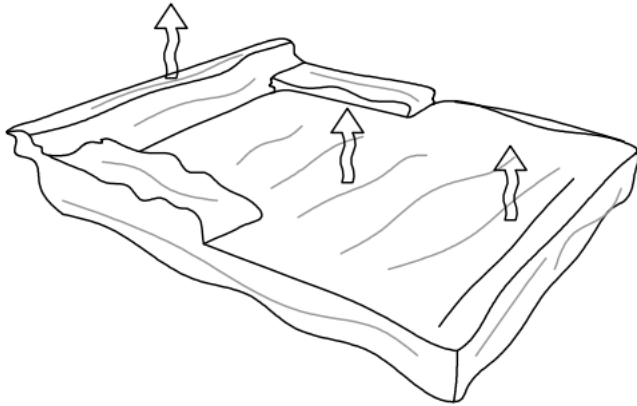
Tap the pillow and back cushion according to the picture.

1

ASSEMBLY INSTRUCTION

STEP 2.

For this step remove all the part



Please wait for 72 hours

Packing List

Page : 5 OF 9

ASSEMBLY INSTRUCTION

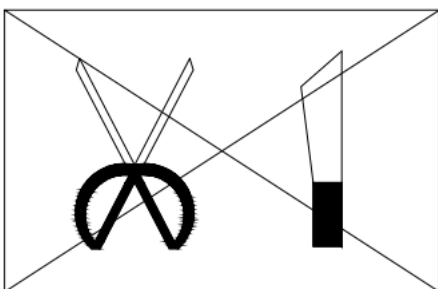
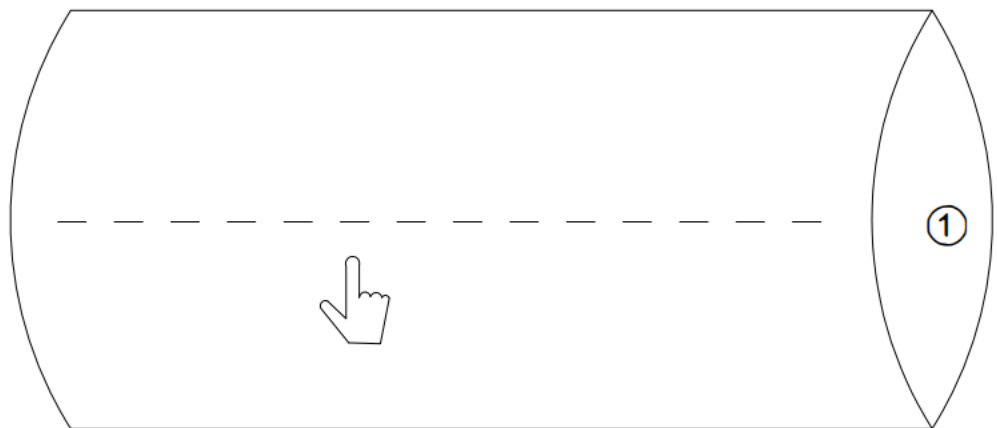
STEP 3.

Open the first layer
of packaging

Attention:

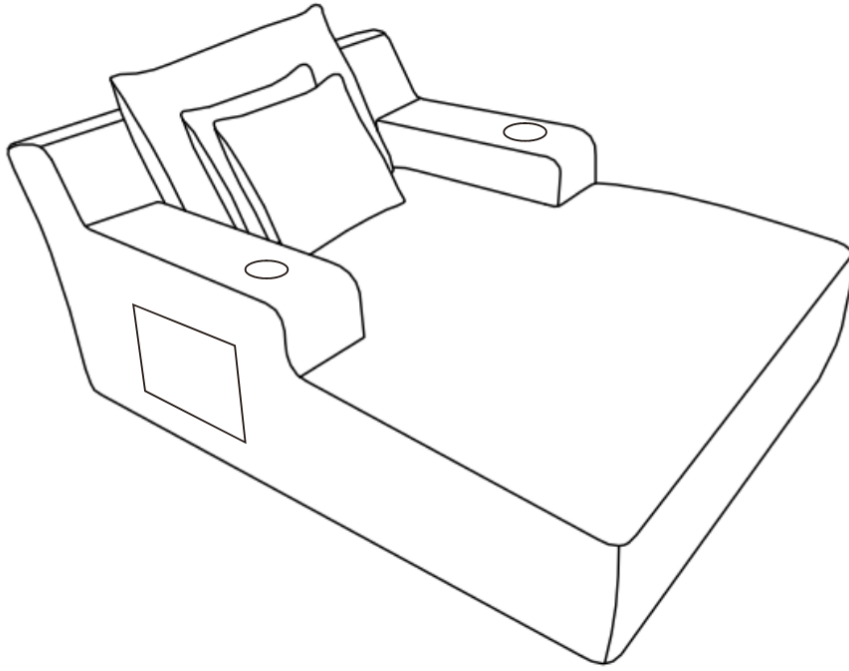
The first layer of packages
one and two can be opened
without the need for sharp
tools!

Find the connection poin
on the package and pull it
open to open the first layer
of packaging.



ASSEMBLY INSTRUCTION

STEP 6.



COMPLETE!