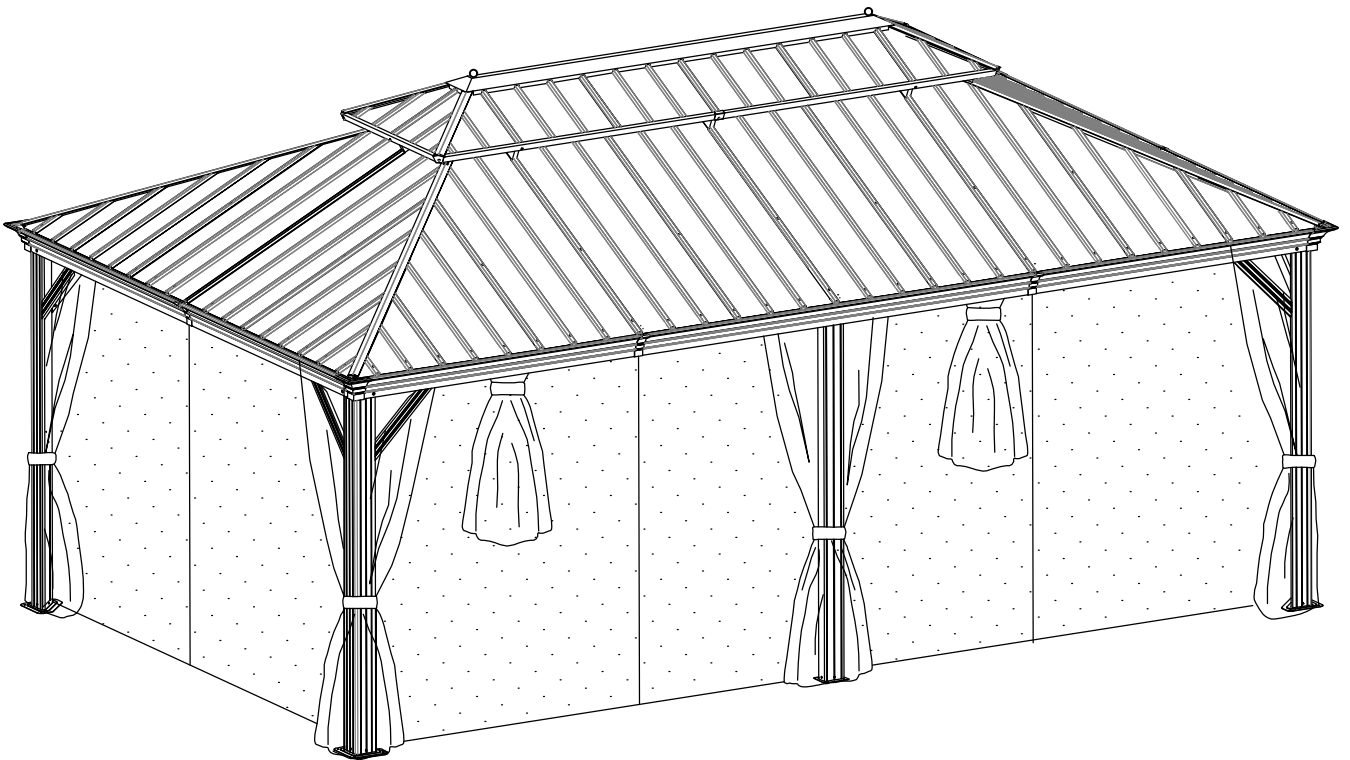


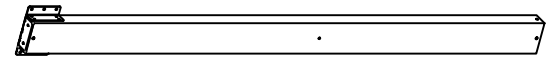
12 x 20FT

□ □ □ □ □ □ □ HWG20-038JS-1 □ □ □ □ □ □ □ □

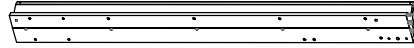




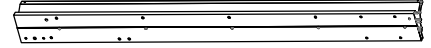
A 4x



A1 2x



B1 4x



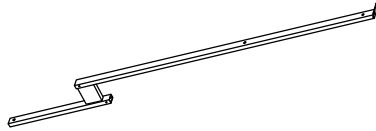
B2 4x



B7 2x



E 4x



E1 2x



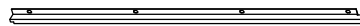
C1 4x



C2 4x



C7 2x



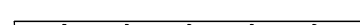
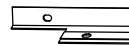
C8 2x



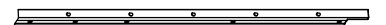
D1 4x



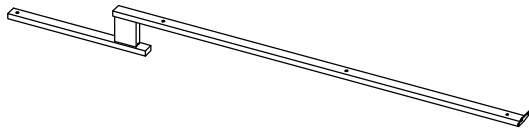
D2 4x



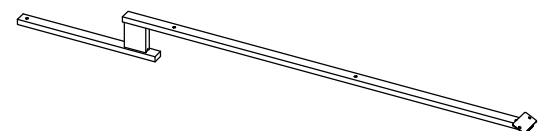
D7 2x



D8 2x



E2 4x



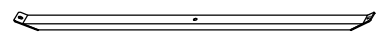
E3 2x



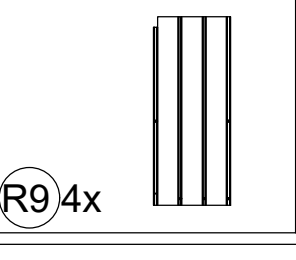
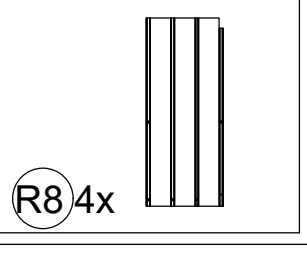
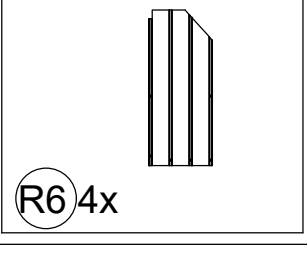
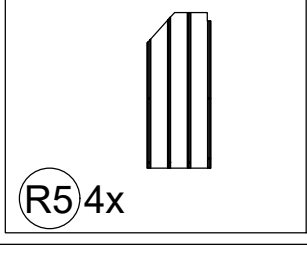
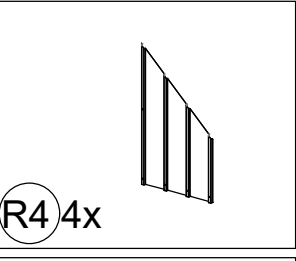
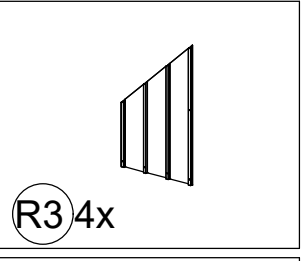
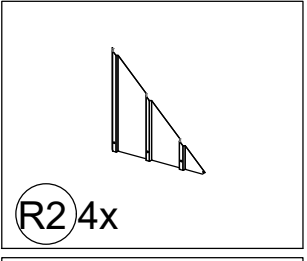
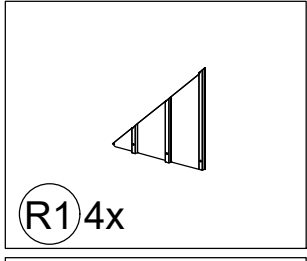
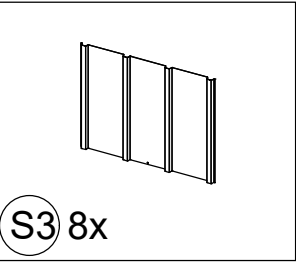
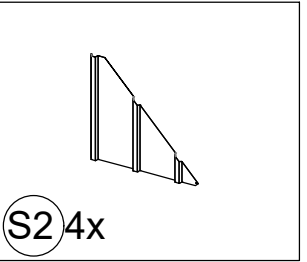
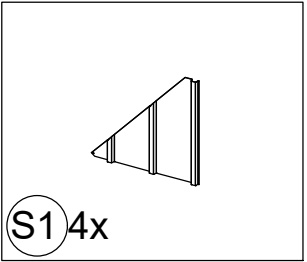
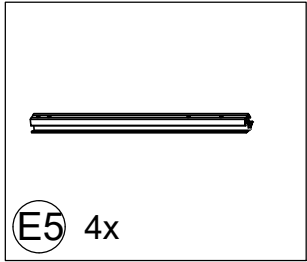
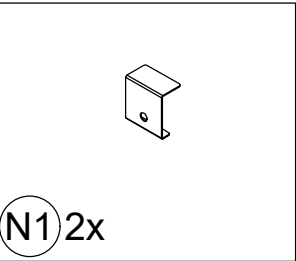
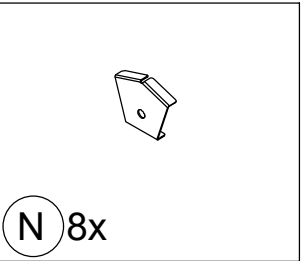
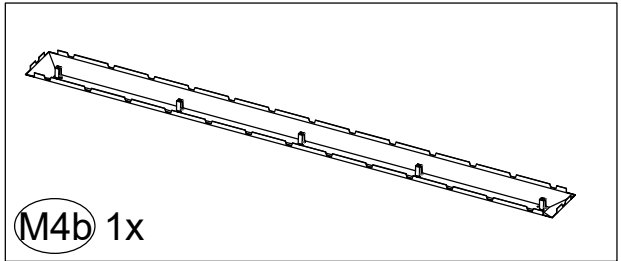
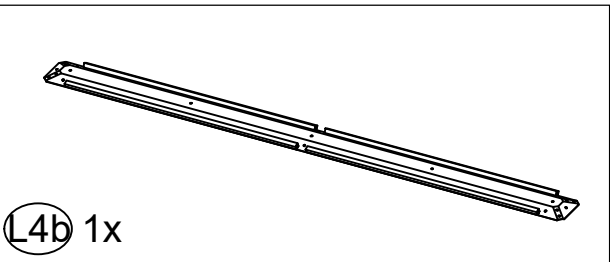
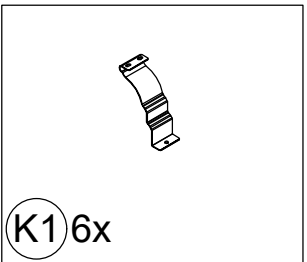
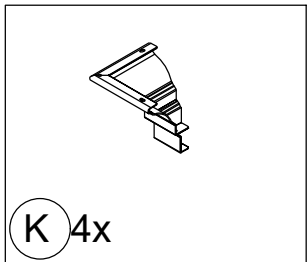
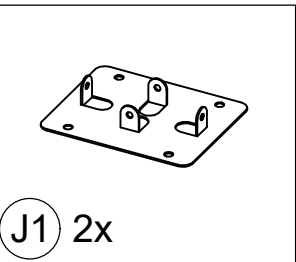
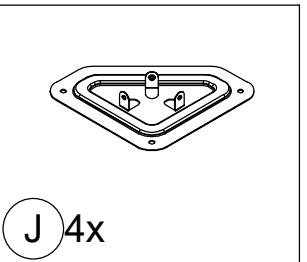
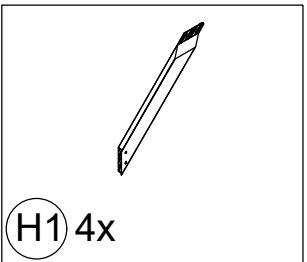
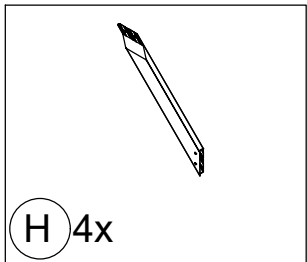
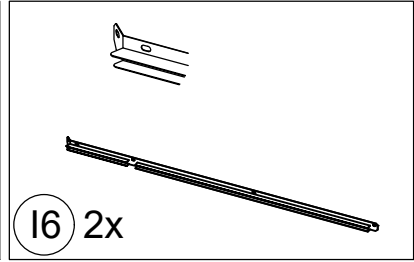
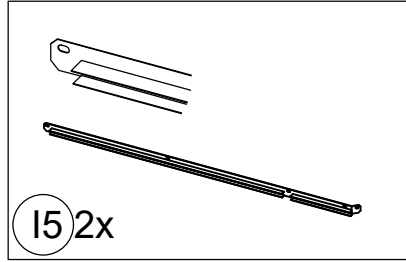
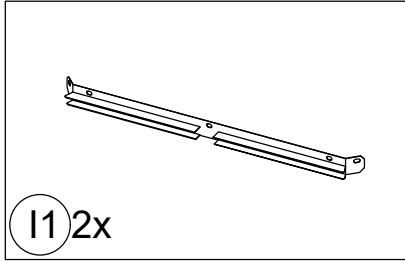
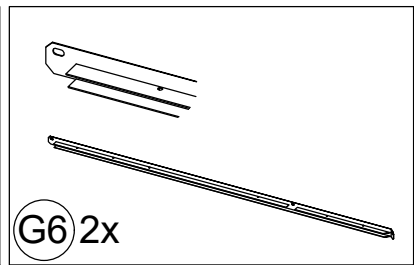
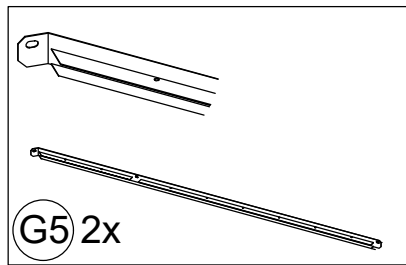
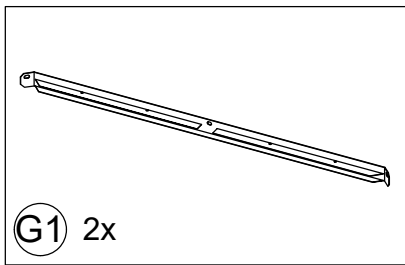
F1 8x

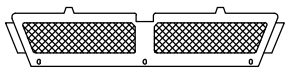


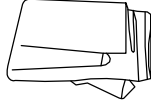
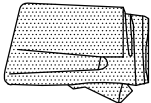

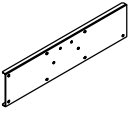
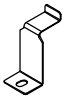
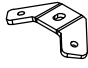
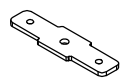
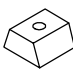
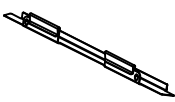
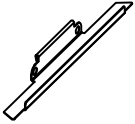
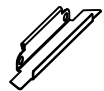
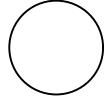















F3 4x



F5 3x



			
V1 2x	V4a 2x	V4b 2x	
			
T 4x + 2x	T1 4x + 2x	U 152x	P 6x
			
V 6x	W 4x	W1 8x	Y 112x
			
Z 64x	Z1 8x	Z2 8x	Za 2x
			
1 351x M6x15	2 84x M6x23	3 8x M6x25	4 28x ST 4.8x12
			
5 3x	6 8x M6x42	7 12x M6x47	8 16x
			
9 12x M6x10	10 20x	12 2x 4mm	
			
13 1x 6mm	14 1x		

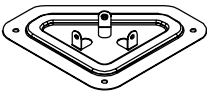
<1>



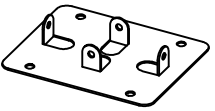
A 4x



A1 2x



J 4x

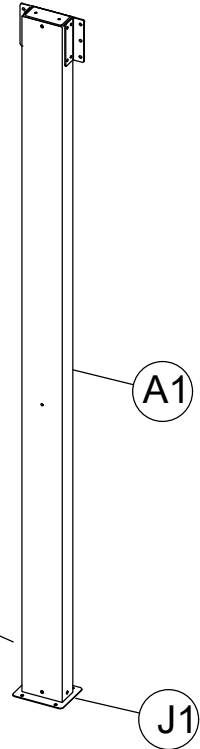
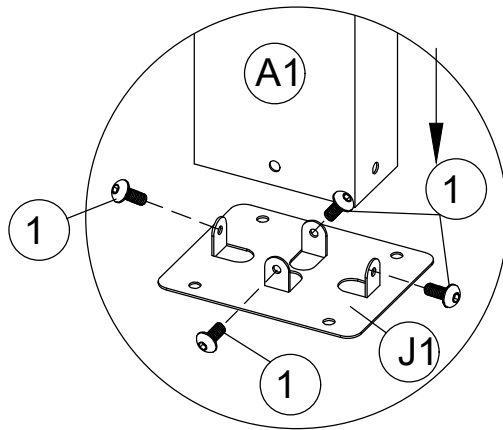
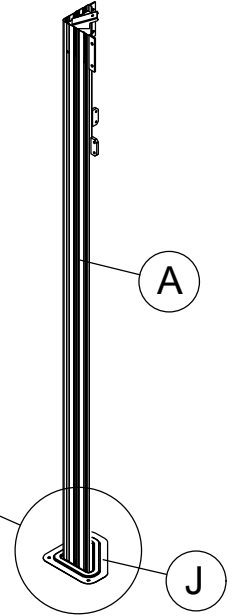
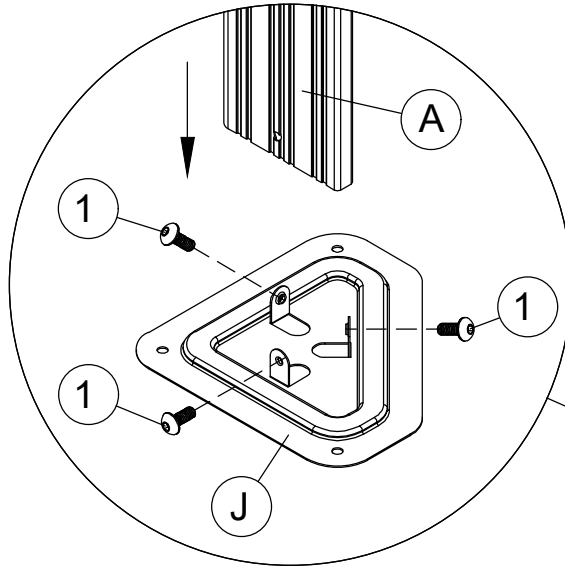


J1 2x

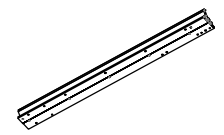


1 20x M6x15

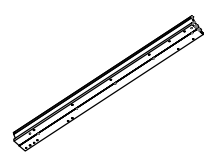
5



<2>



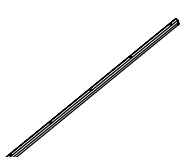
B1 2x



B2 2x



C1 2x



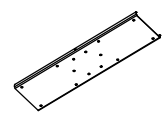
C2 2x



D1 2x



D2 2x



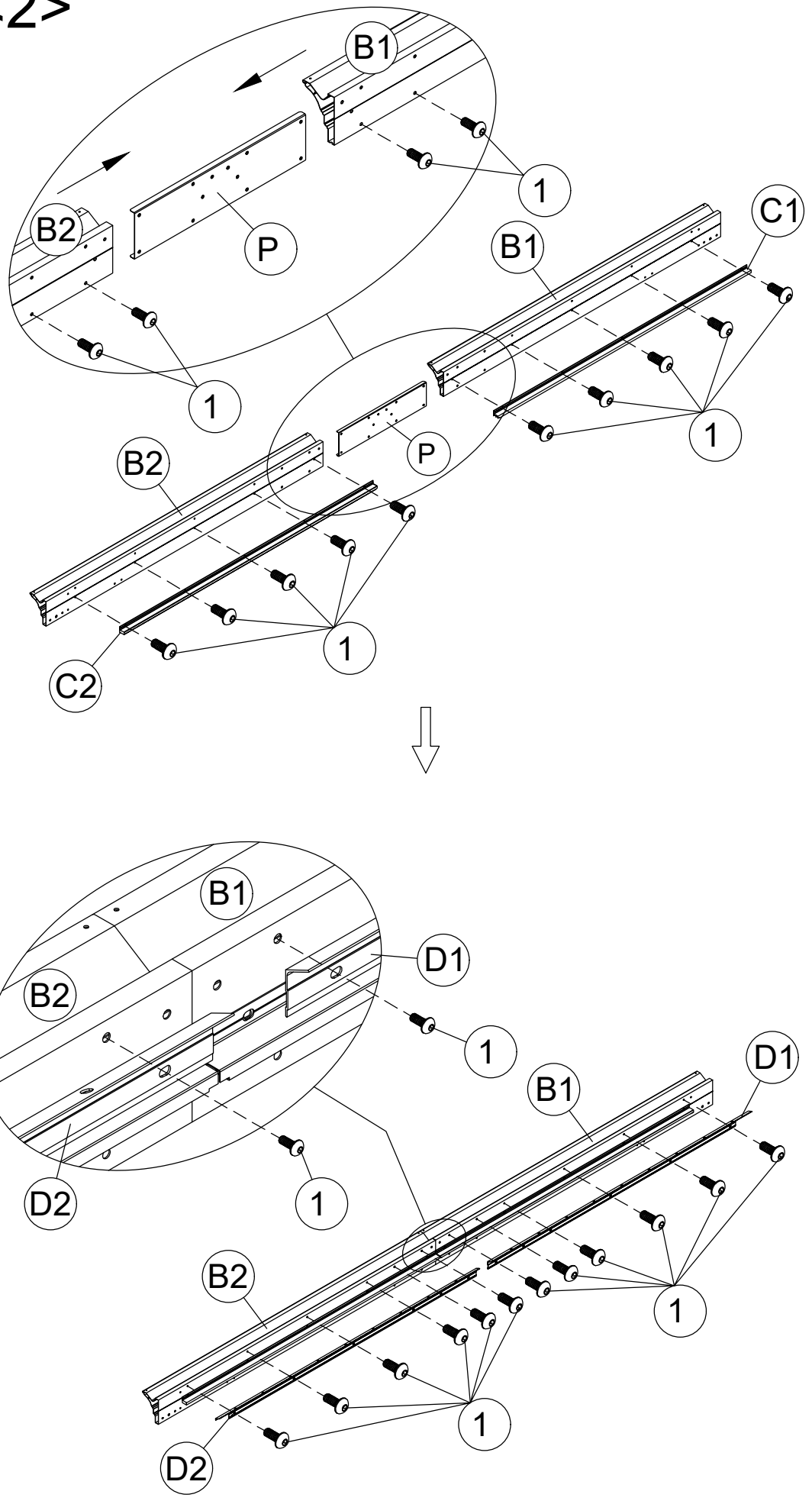
P 2x



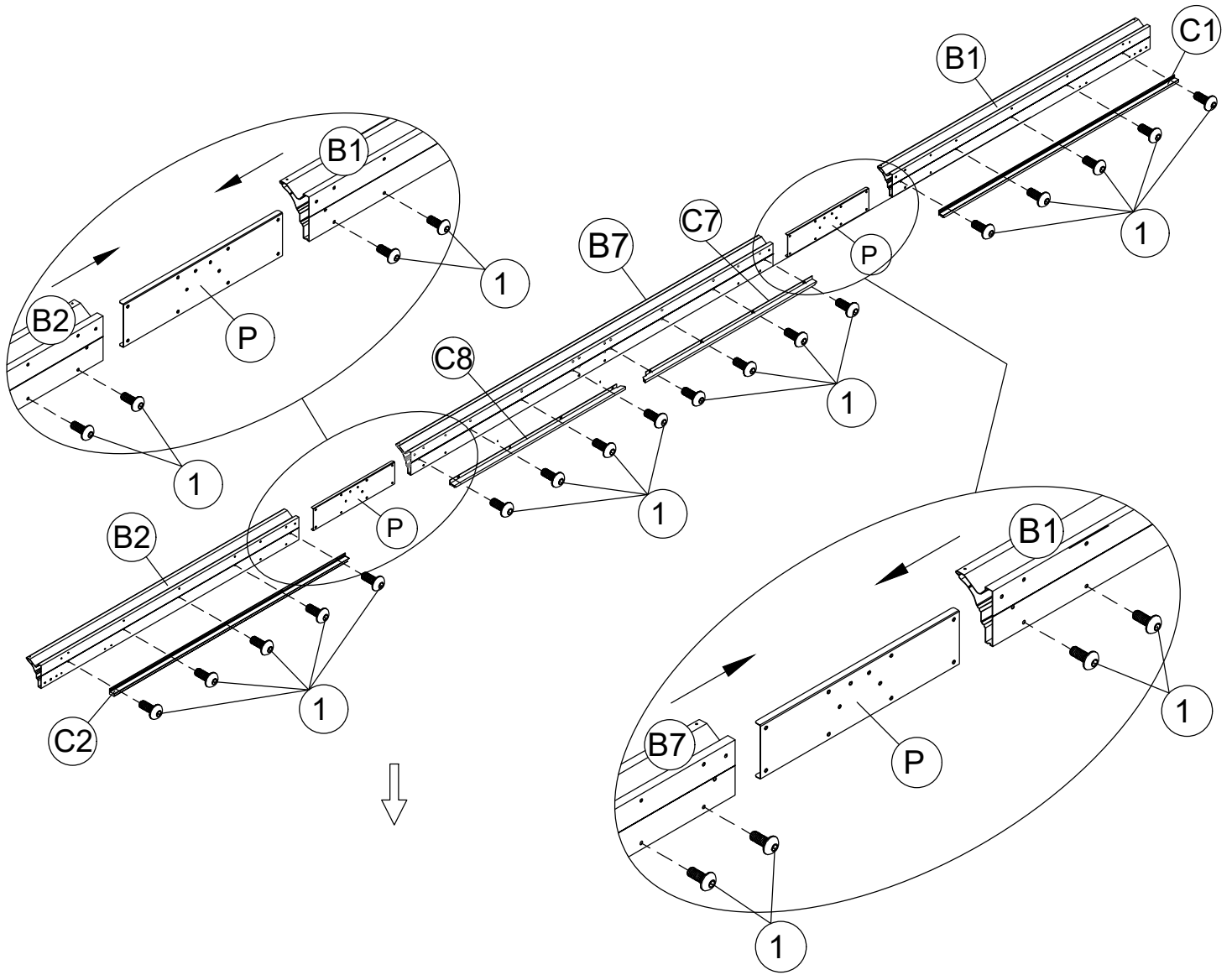
M6x15

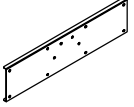

1 52x






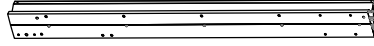

6



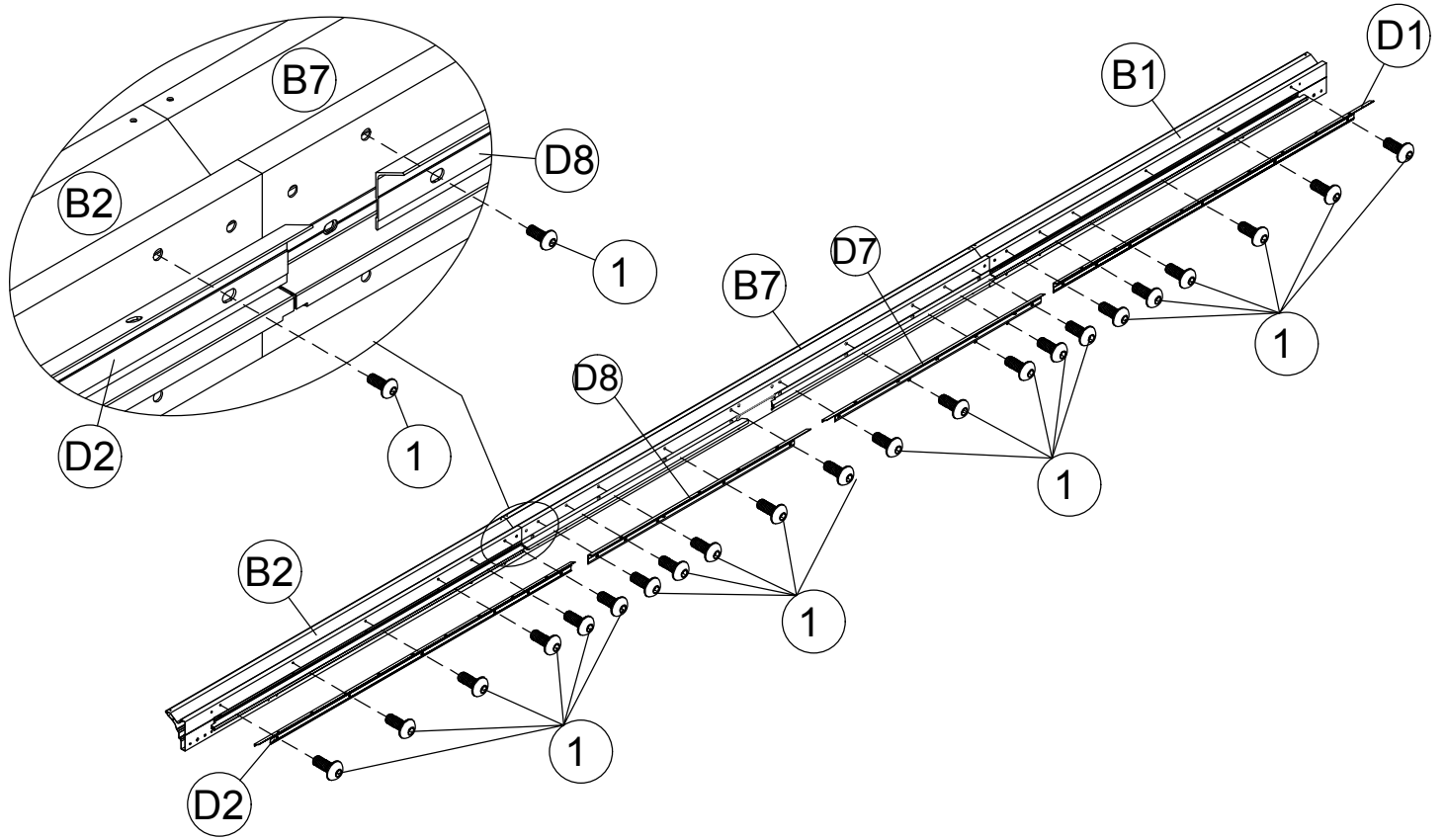
<3>



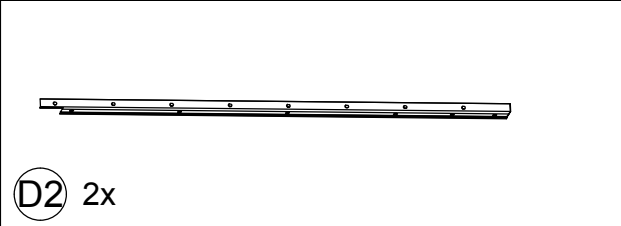
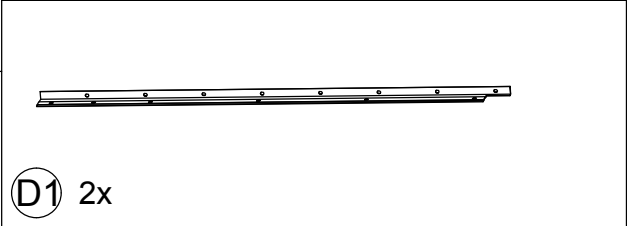

P 4x

1 52x M6x15
7

			
C1 2x	C2 2x	C7 2x	C8 2x
			
B1 2x	B2 2x	B7 2x	

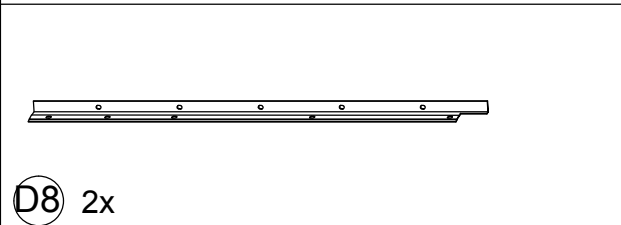
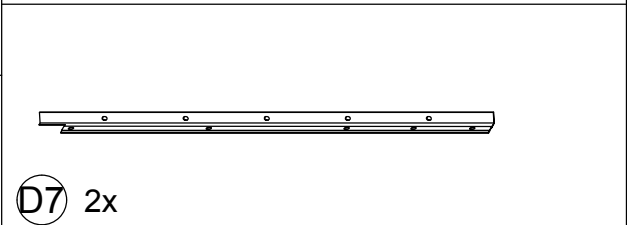
<4>




1 44 M6x15



8



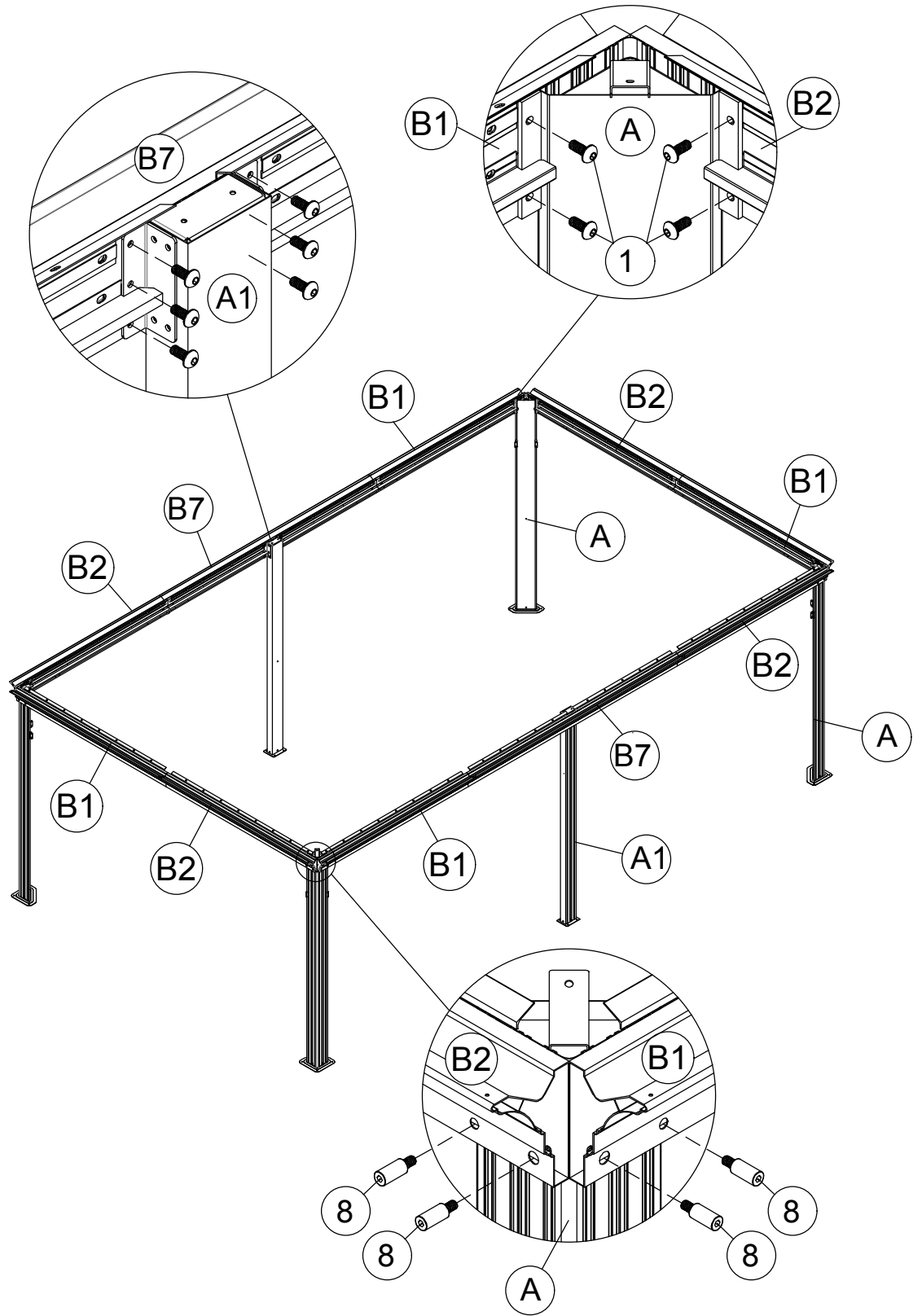


<5>

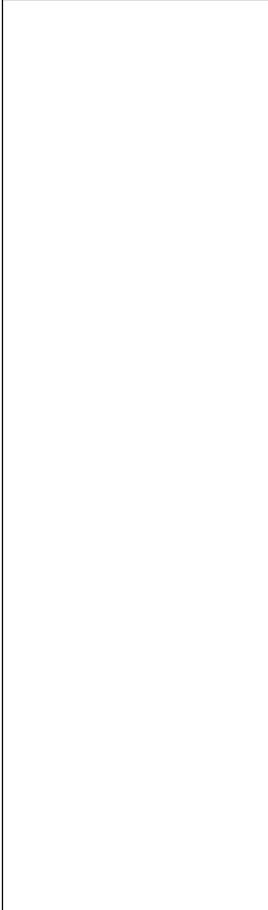
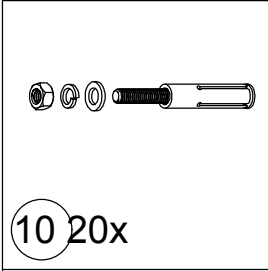
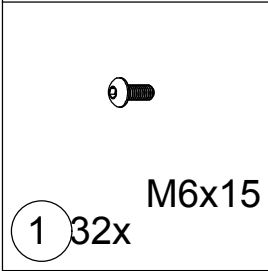
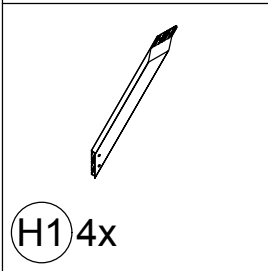
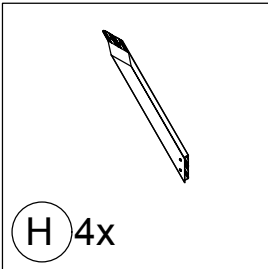
1 28x M6x15



8 16x

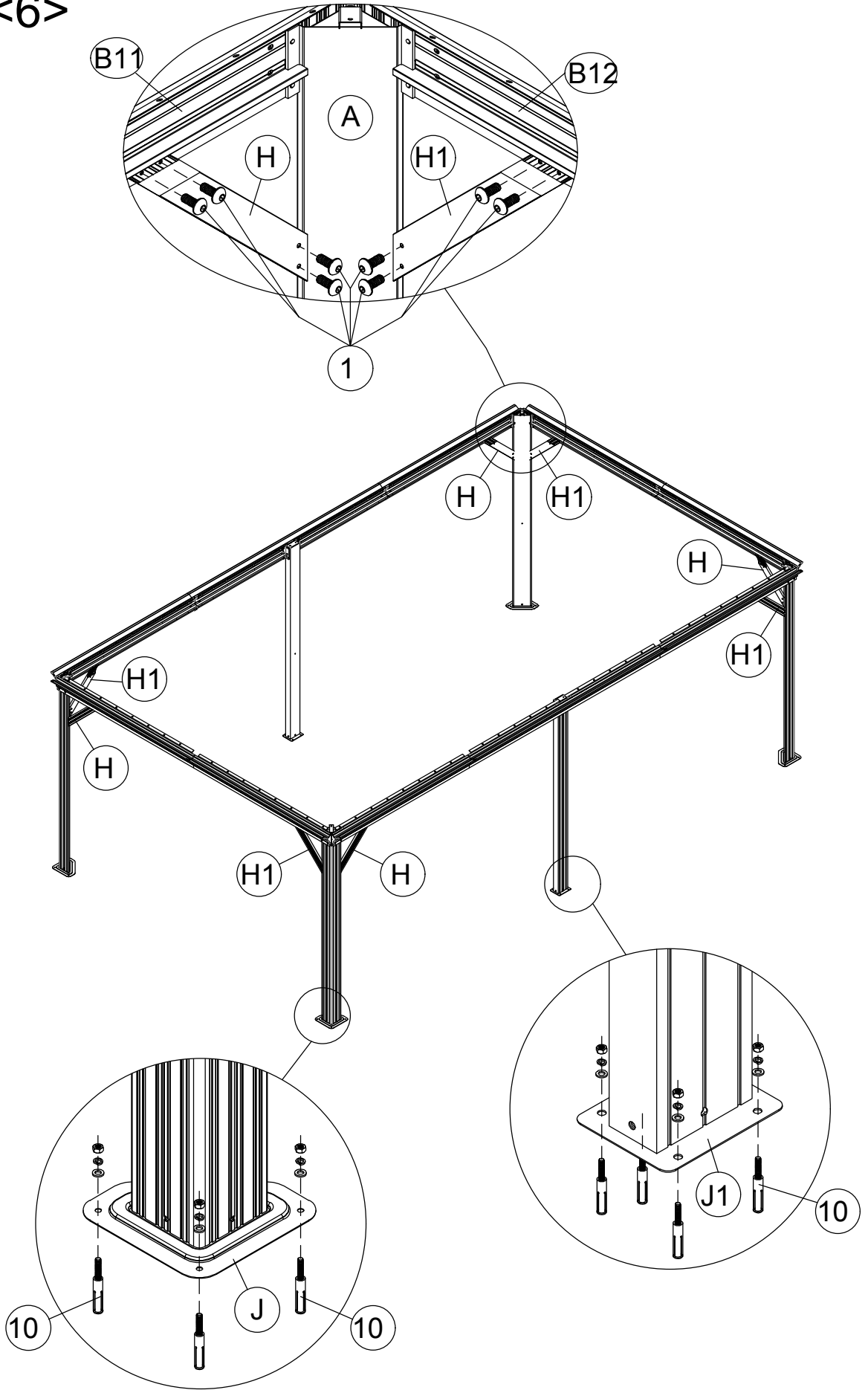


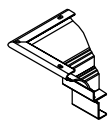
9



10

<6>





<7>

(K) 4x



(K1) 6x



(U) 152x



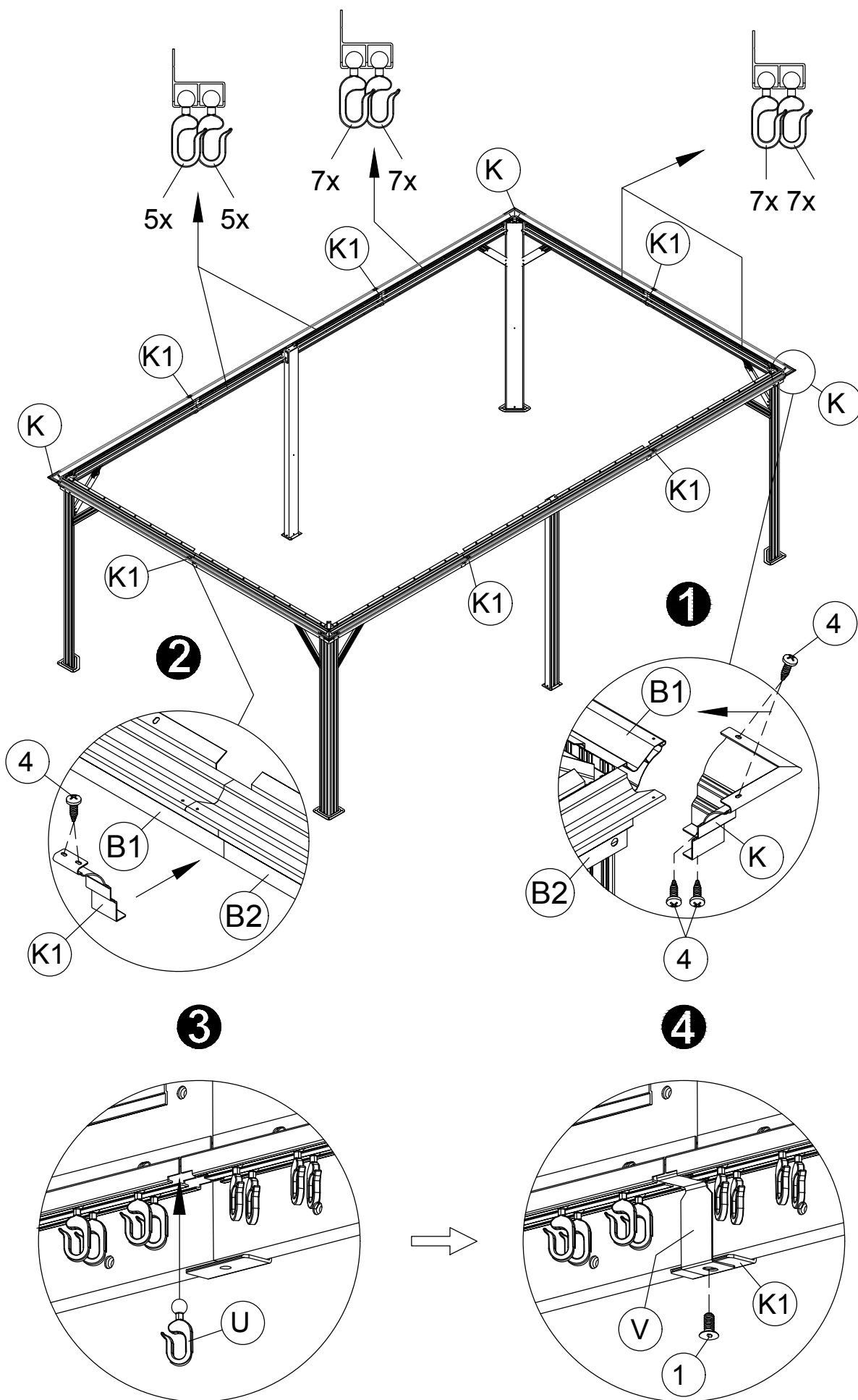
(V) 6x



(1) 6x M6x15



(4) 28x ST4.8x12



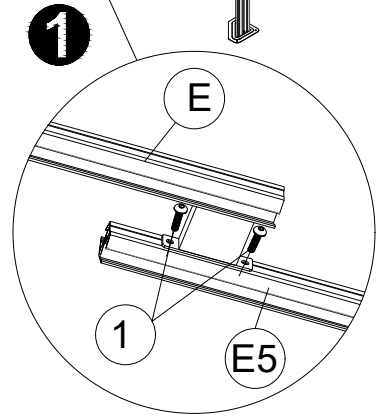
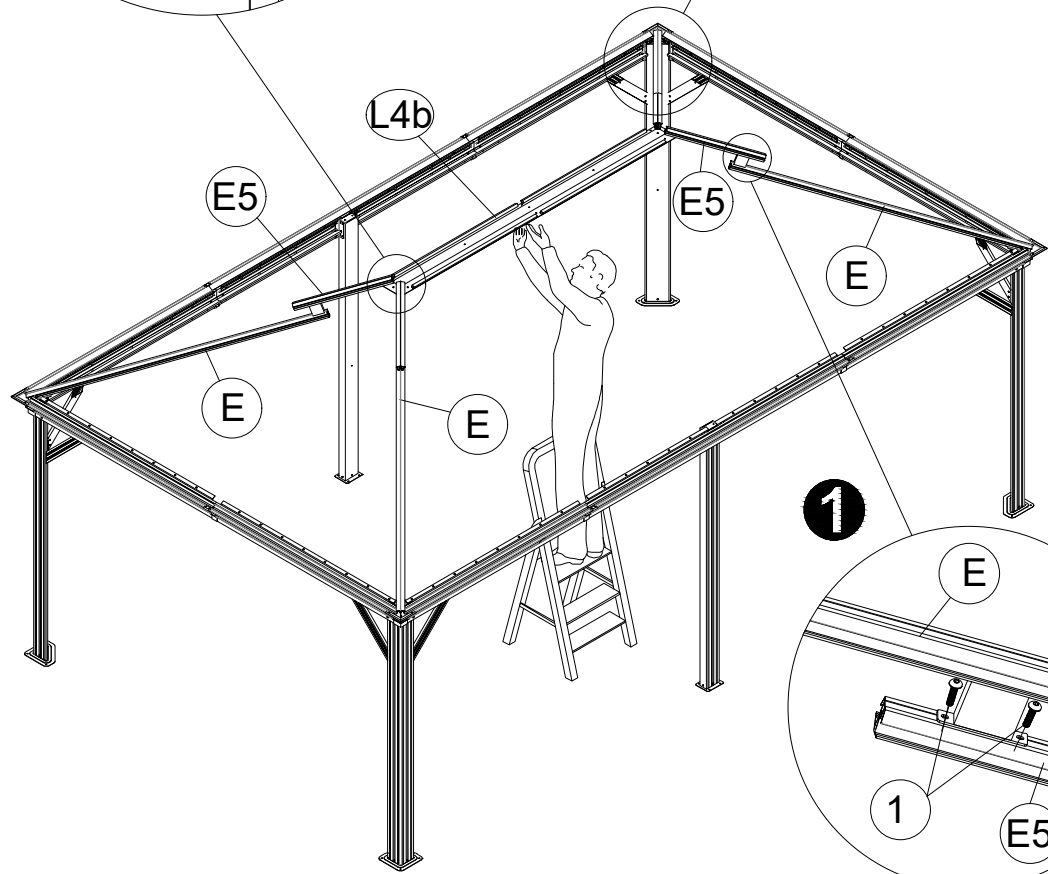
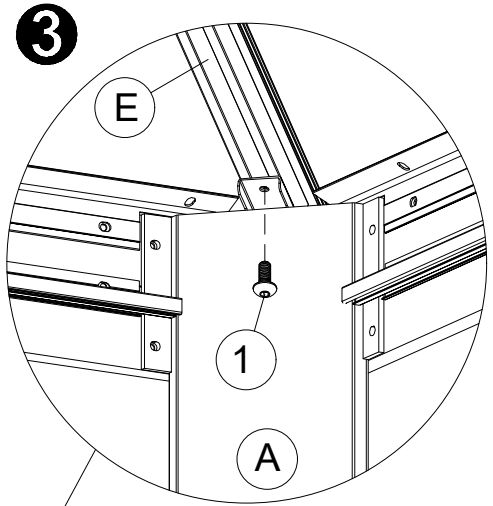
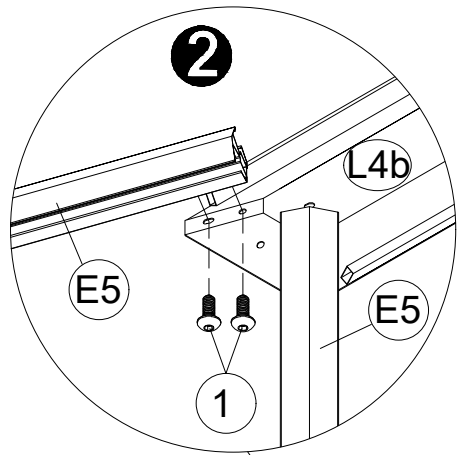
<8>

E 4x

E5 4x

L4b 1x

1 M6x15 20x



Note:

1. Let one person stand on the ladder to lift "L4b" and hold and let others fasten the screws connecting both ends of "E".
2. Please do not let go of holding "L4b" until all the "E" screws are installed.

<9>

E1 2x

E2 4x

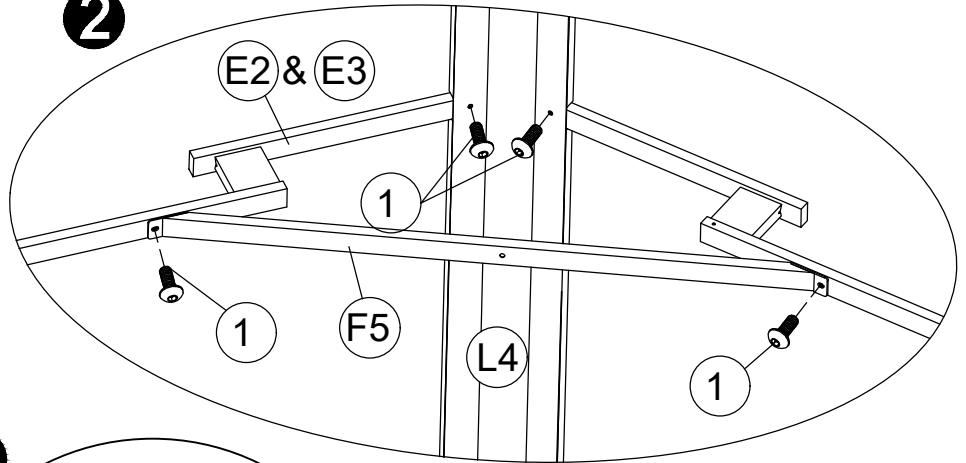
E3 2x

F5 3x

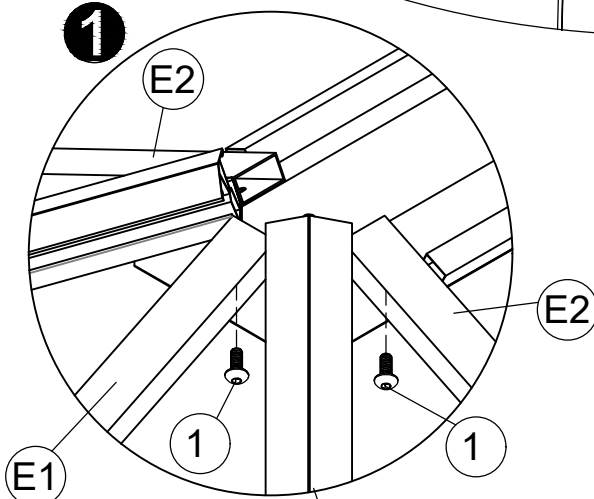
1 30x

M6x15

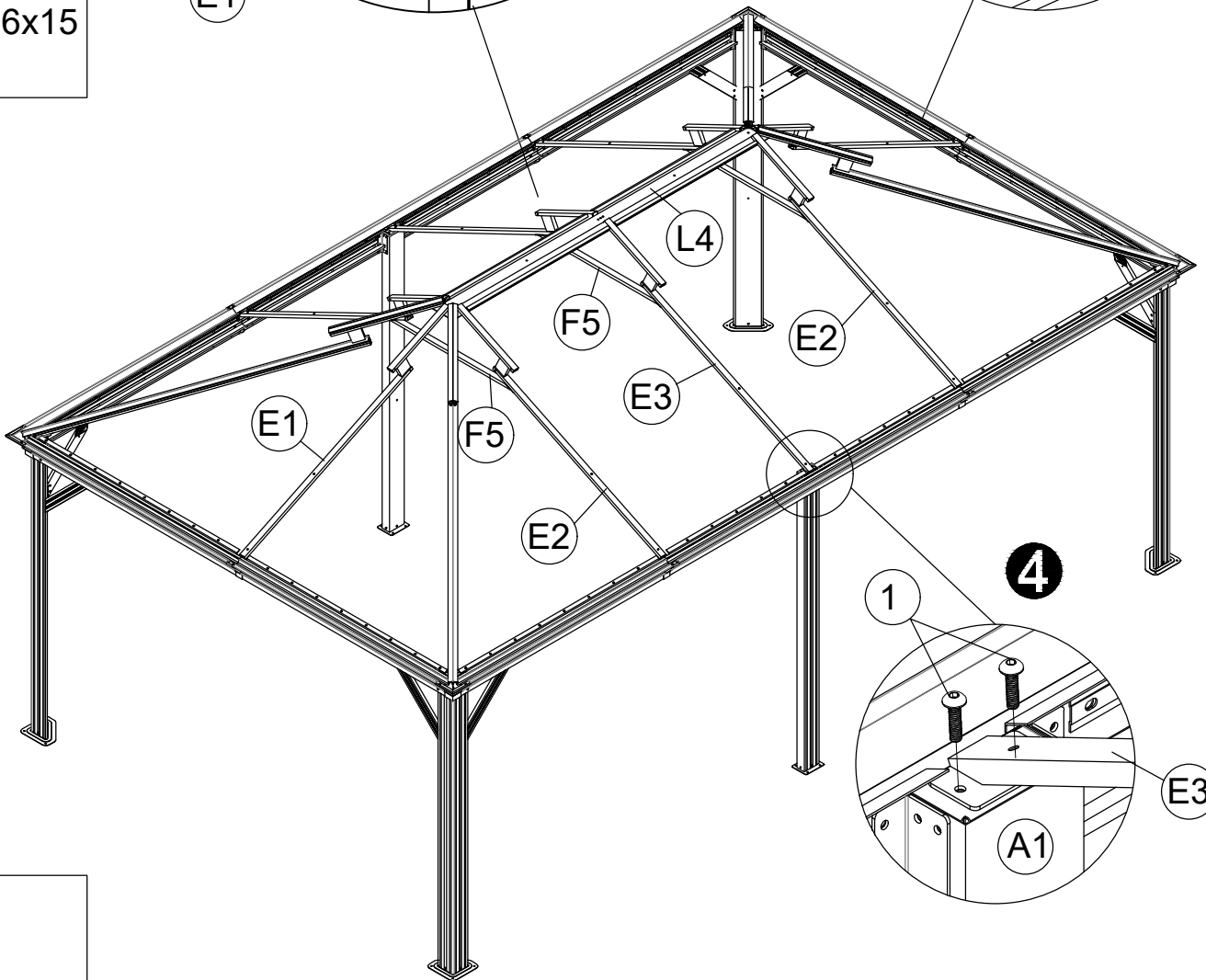
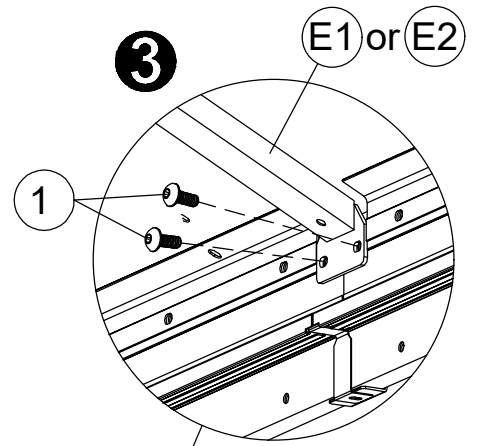
2



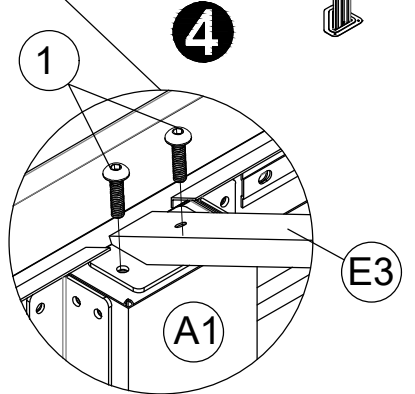
1



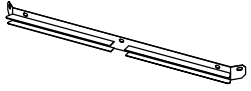
3



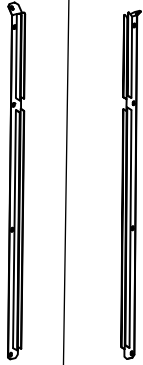
4



<10>



I1 2x



I5 2x

I6 2x



N 4x

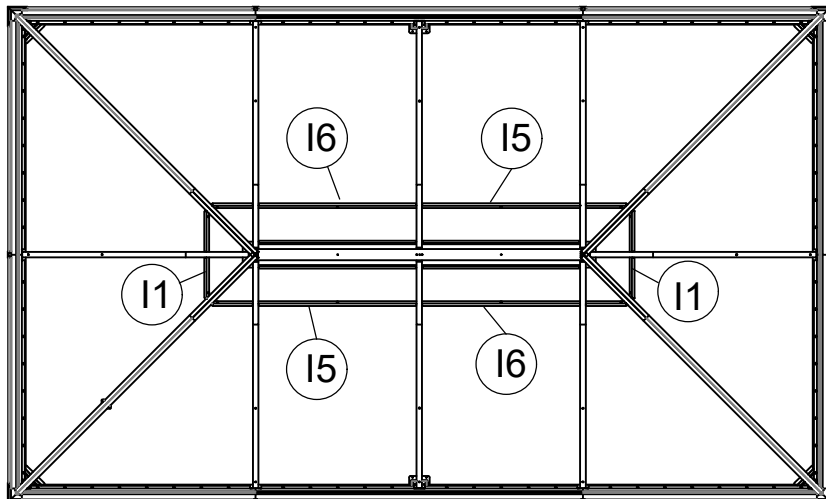
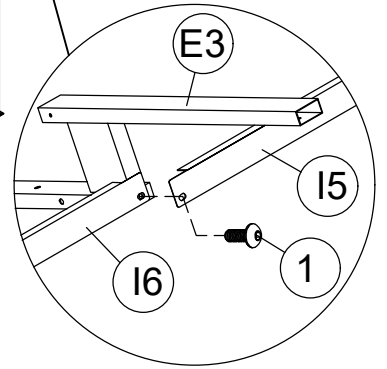
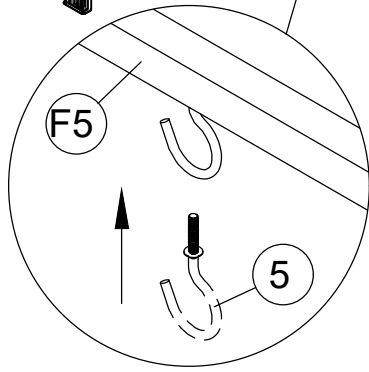
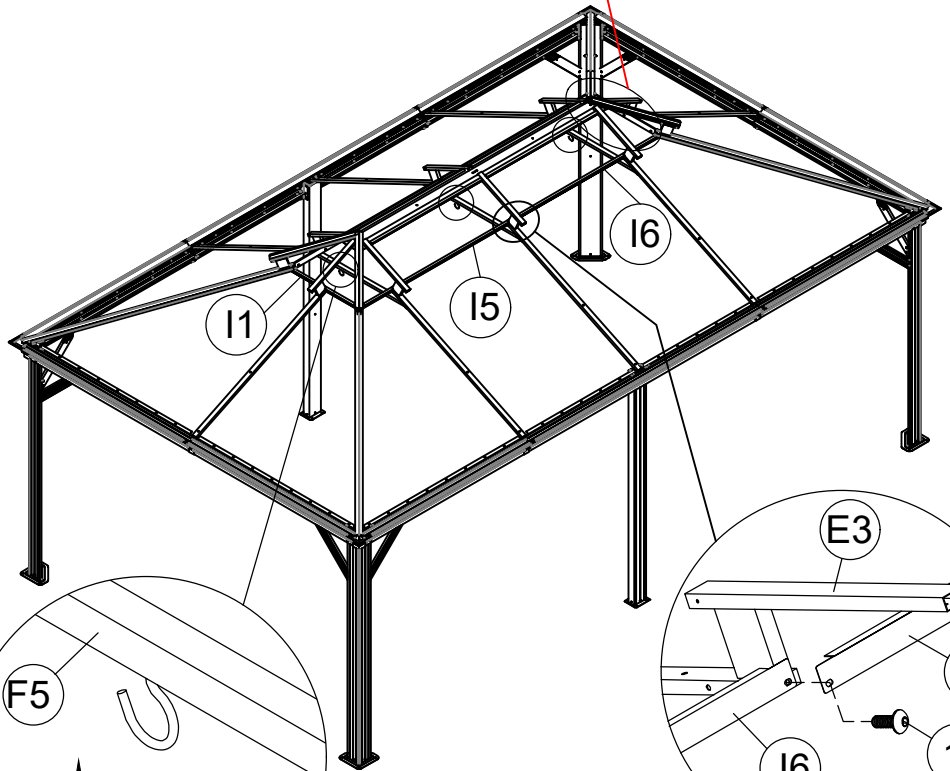
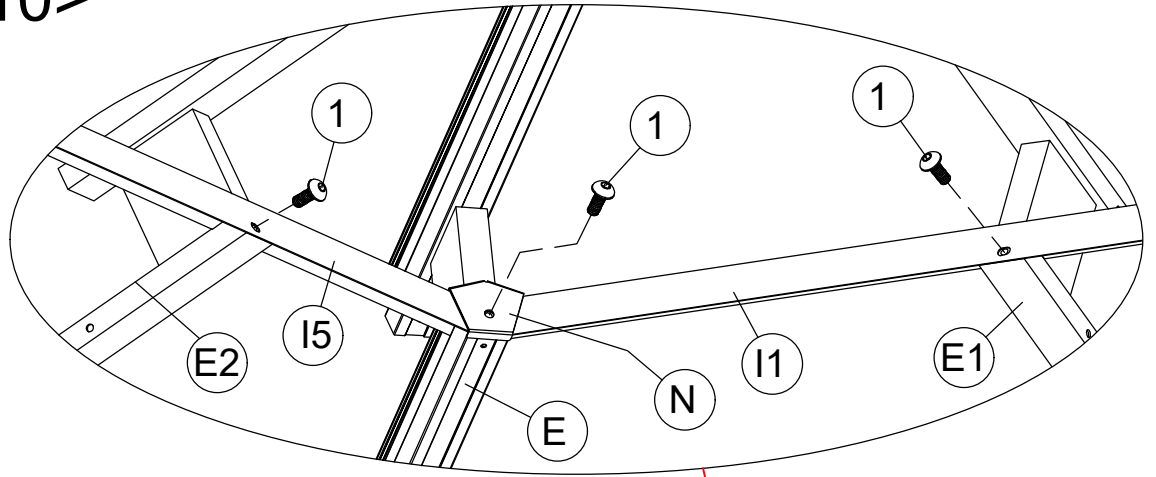


M6x15

1 12x

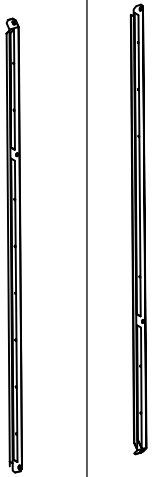


5 3x



<11>

G1 2x



G5 2x

G6 2x



N 4x

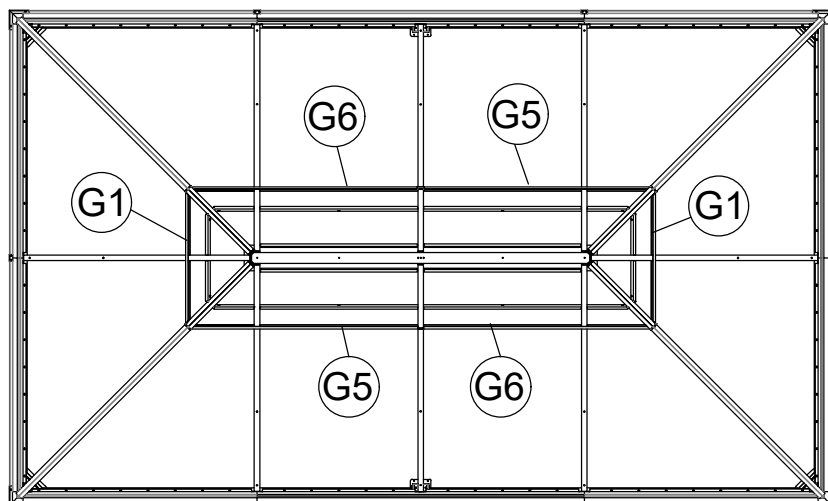
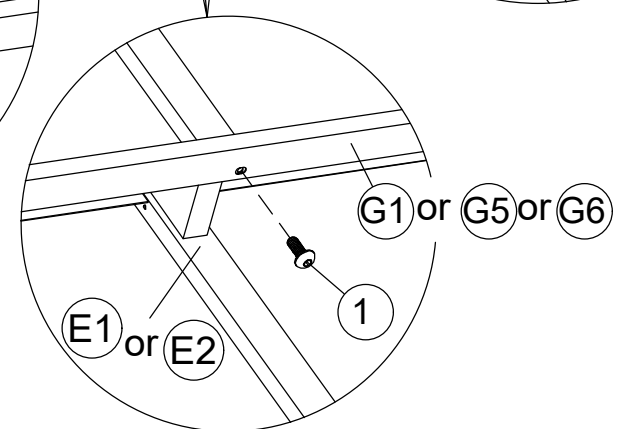
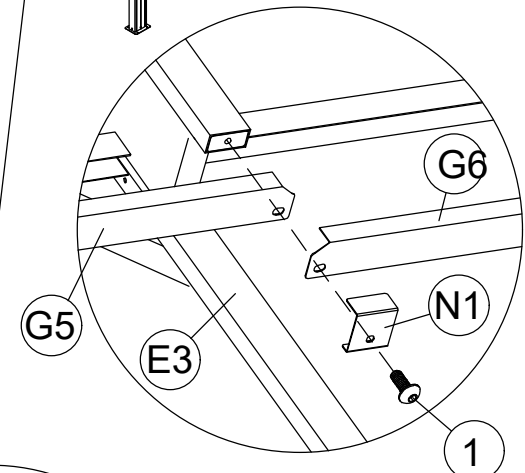
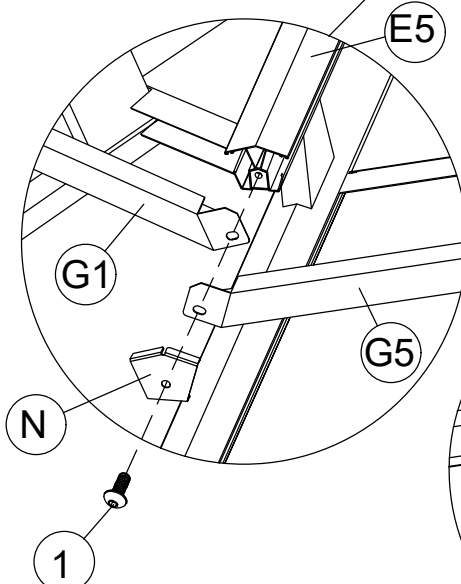
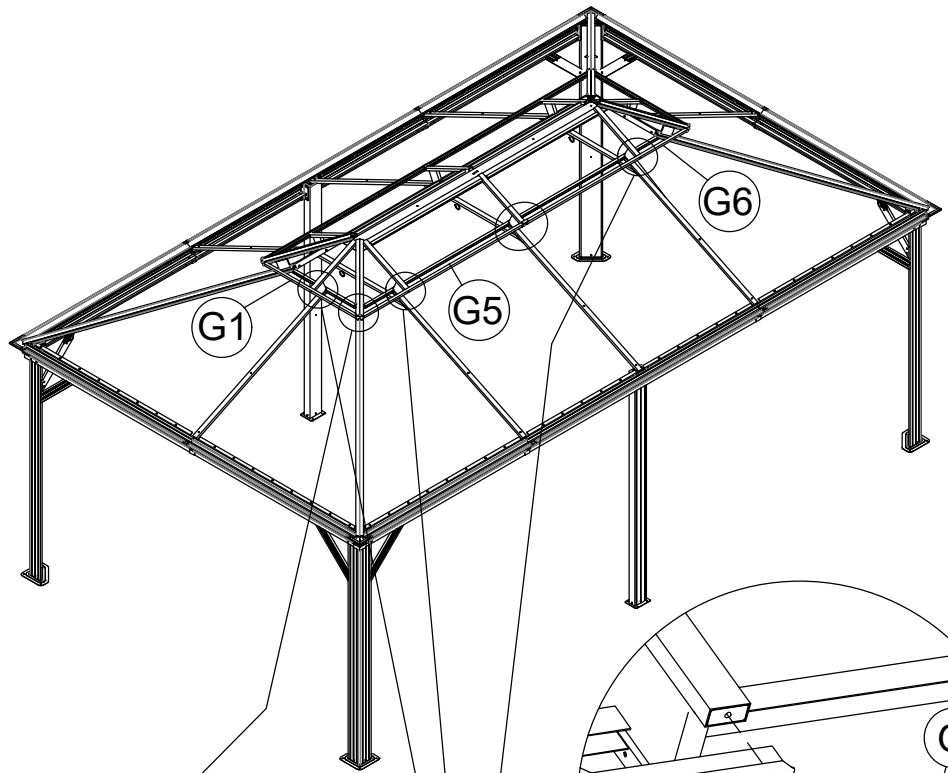


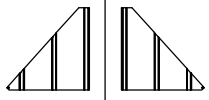
N1 2x



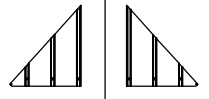
1 12x

M6x15

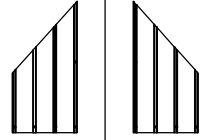




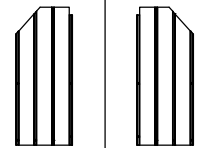
S1 2x S2 2x



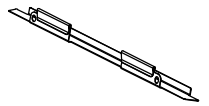
R1 2x R2 2x



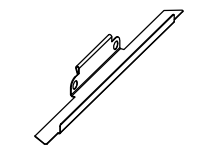
R3 2x R4 2x



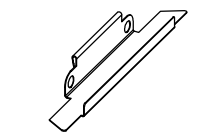
R5 2x R6 2x



Z 32x

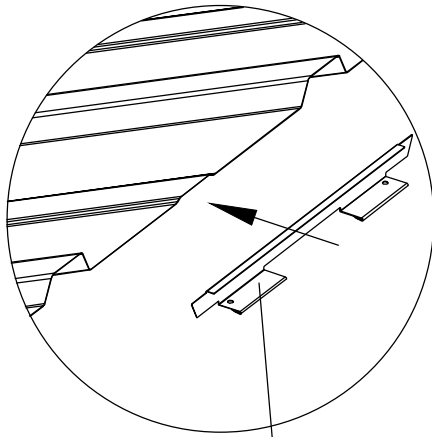


Z1 4x

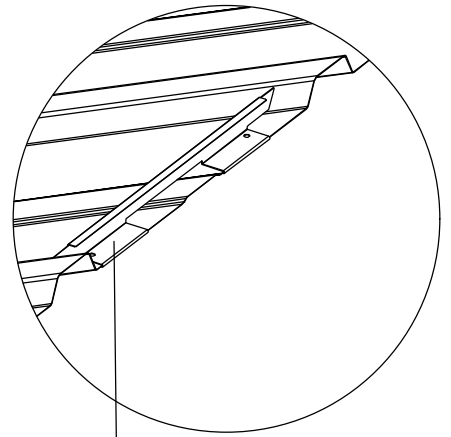
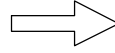


Z2 4x

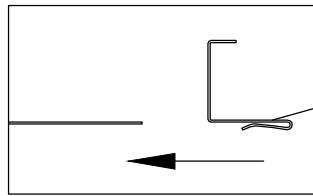
<12>



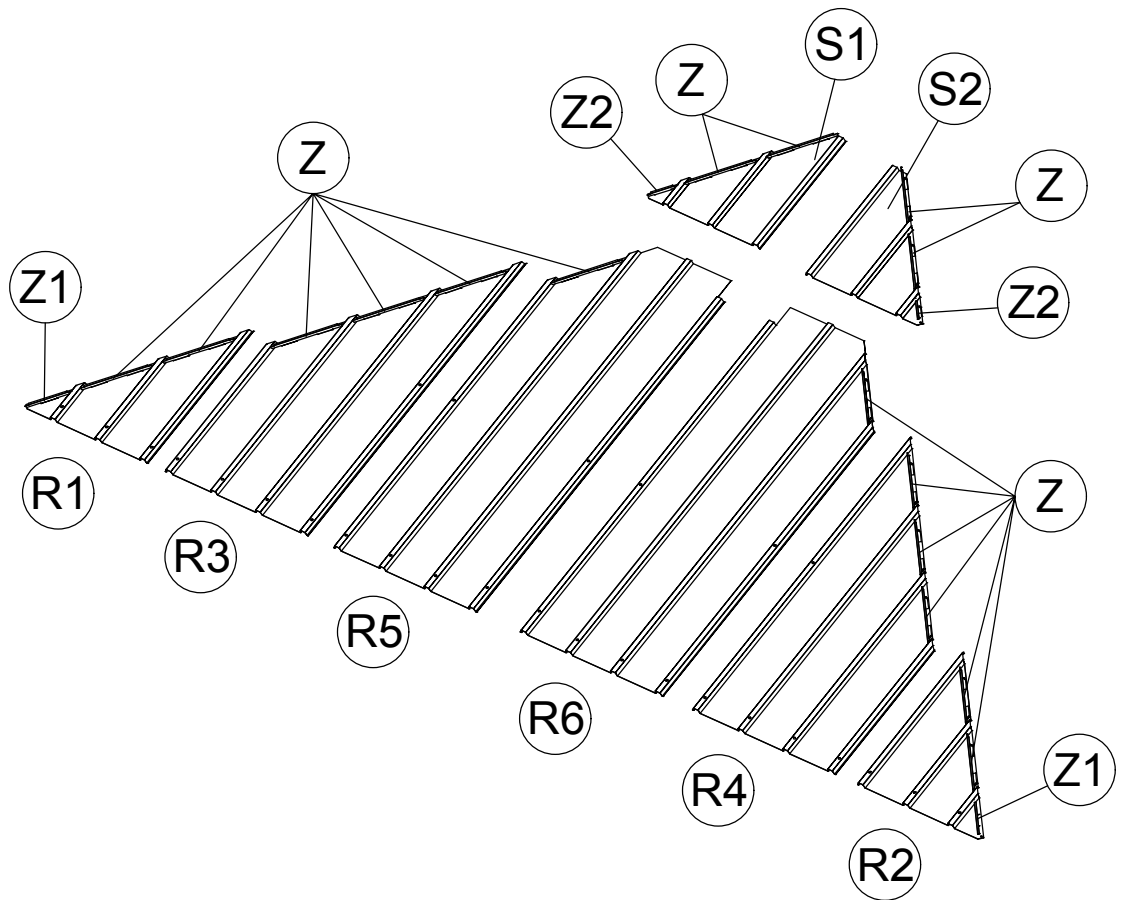
Z or Z1 or Z2



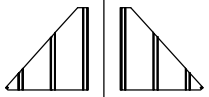
Z or Z1 or Z2



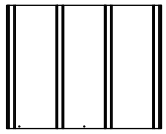
Z or Z1 or Z2



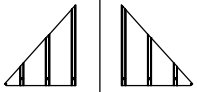
<13>



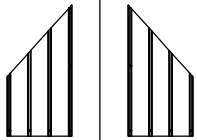
(S1) 2x (S2) 2x



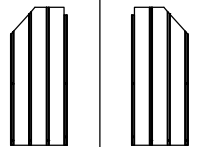
(S3) 8x



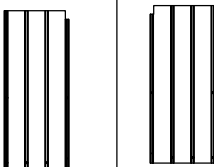
(R1) 2x (R2) 2x



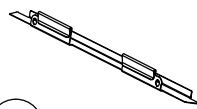
(R3) 2x (R4) 2x



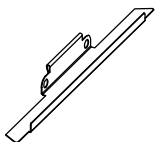
(R5) 2x (R6) 2x



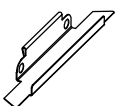
(R8) 4x (R9) 4x



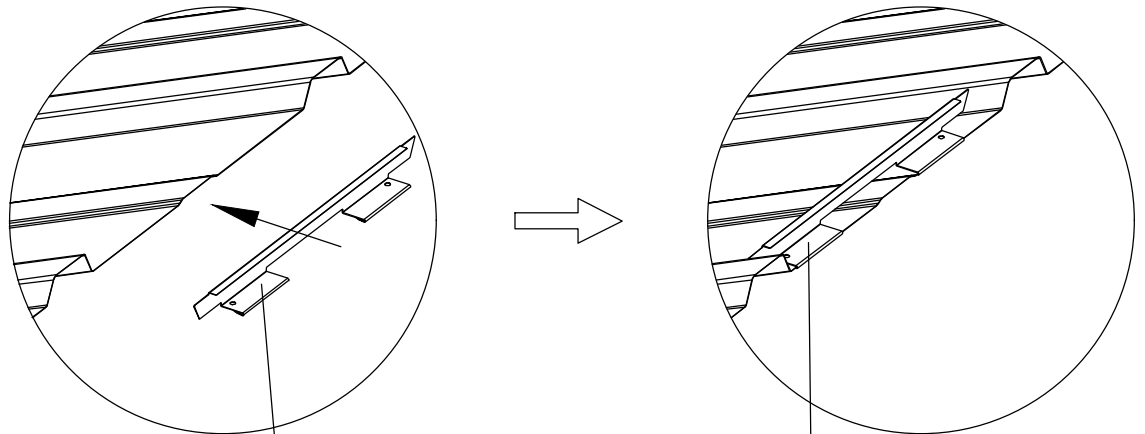
(Z) 32x



(Z1) 4x

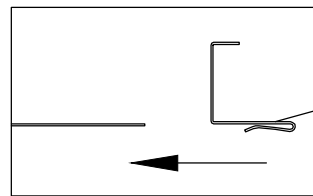


(Z2) 4x

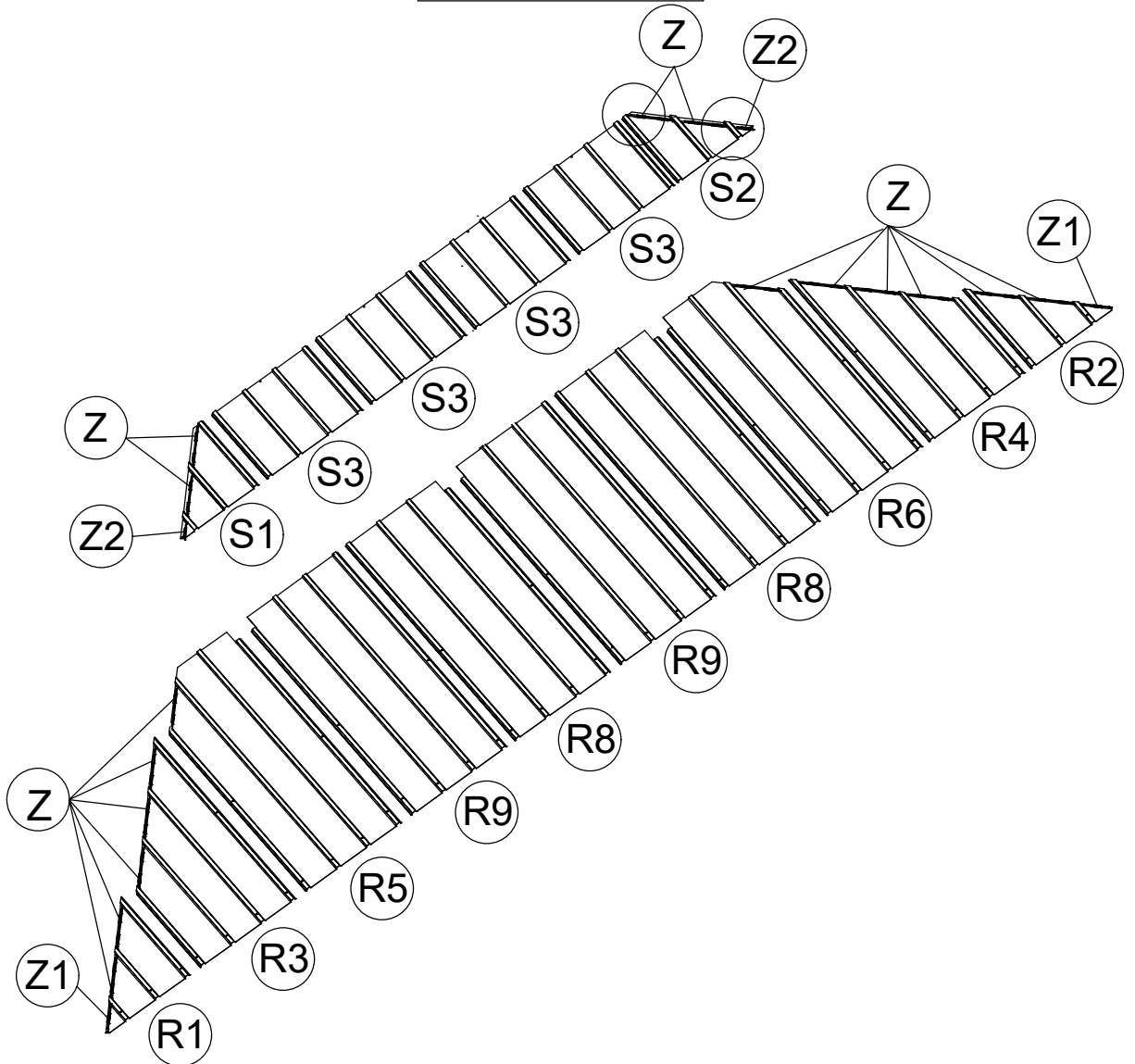


(Z) or (Z1) or (Z2)

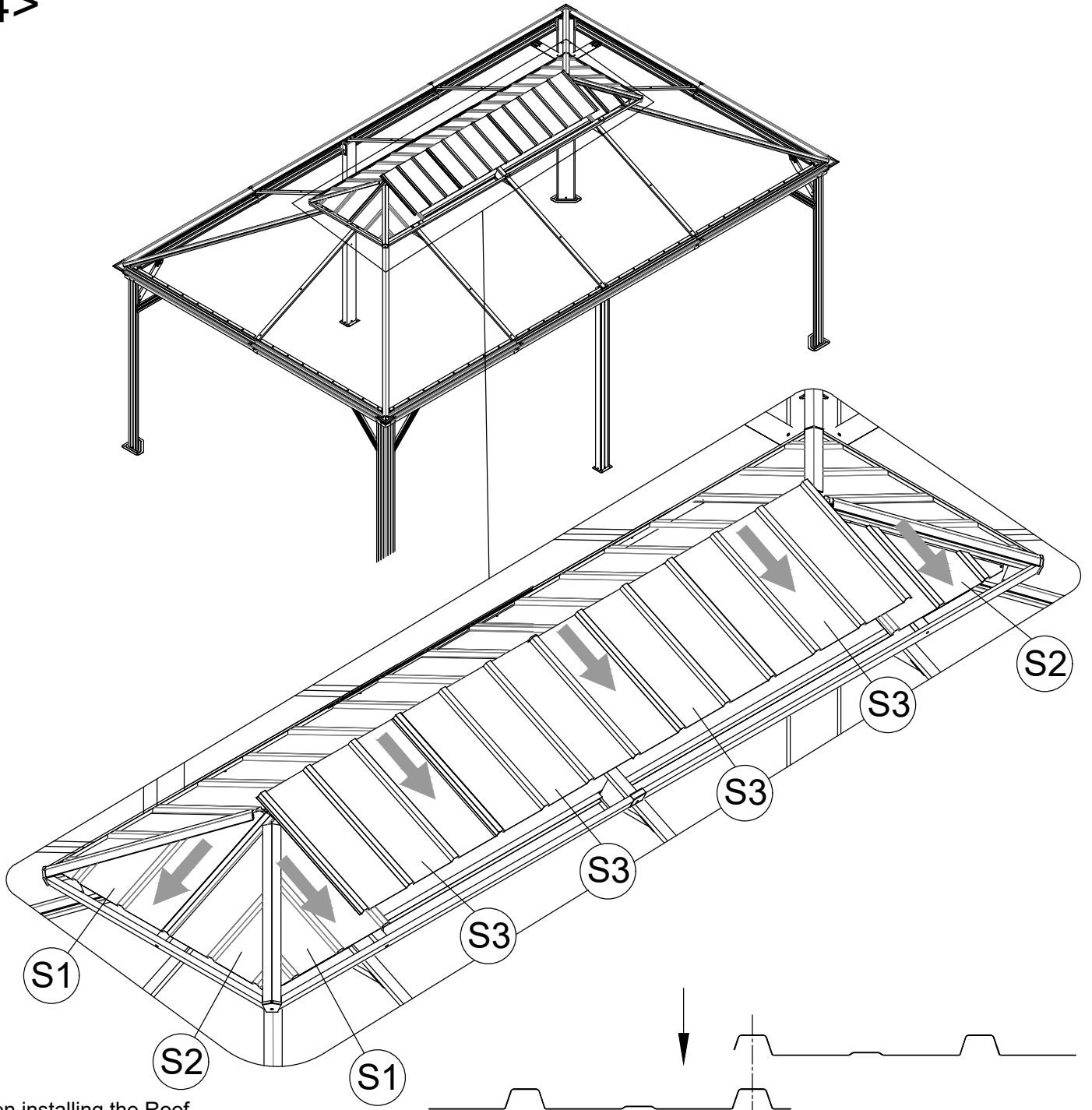
(Z) or (Z1) or (Z2)



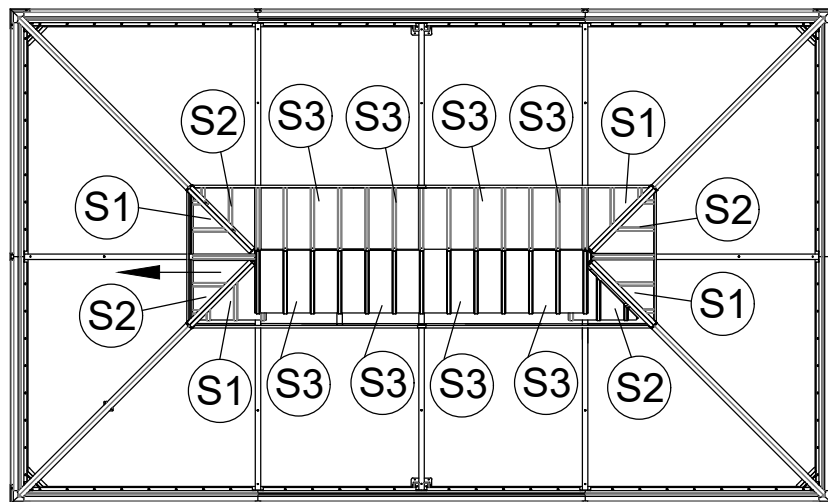
(Z) or (Z1) or (Z2)



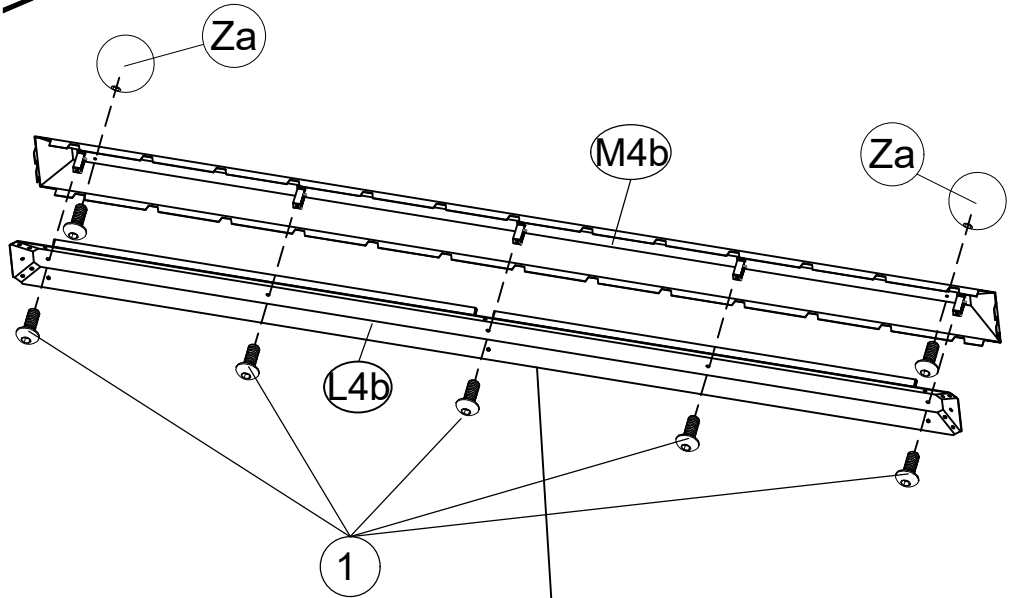
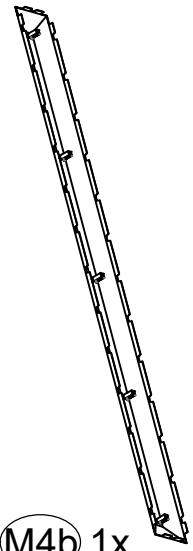
<14>



When installing the Roof plates (S2) onto short side, pls detach the right end of Roof Rib(G1) first. And then install the right end of Roof Rib (G1) again after S2 is installed.



<15>

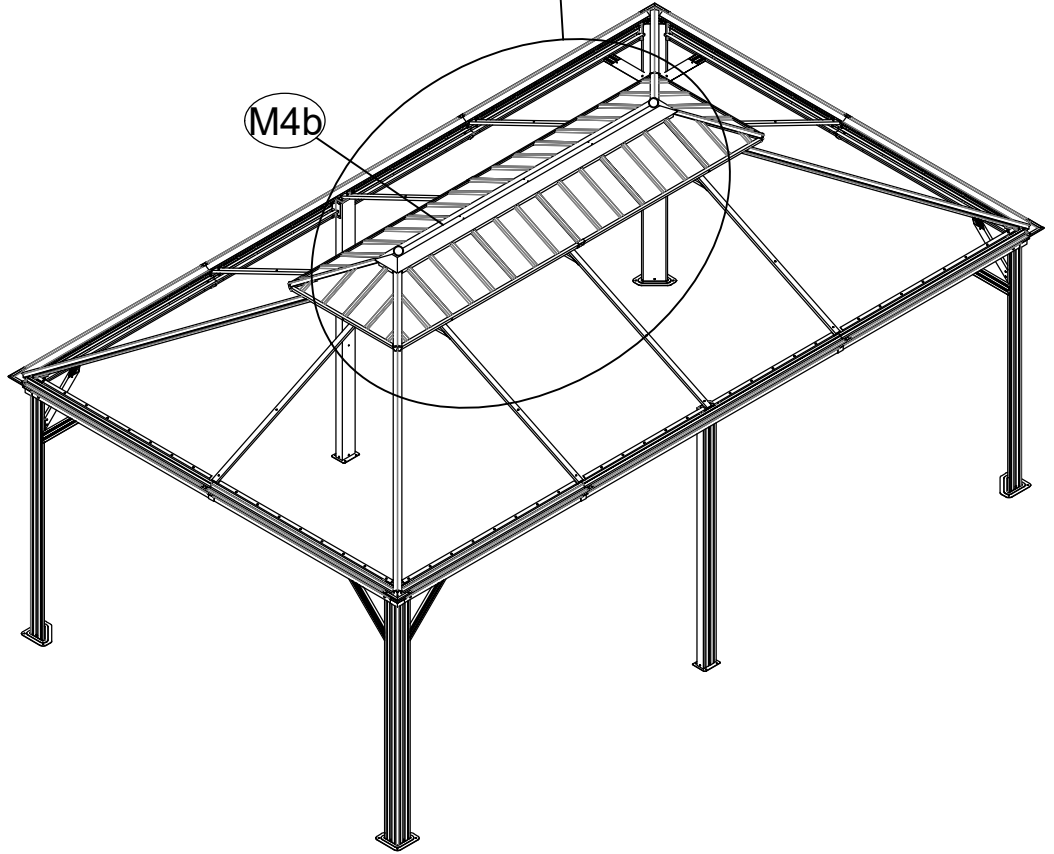


M6x15

1 7x



Za 2x



<16>

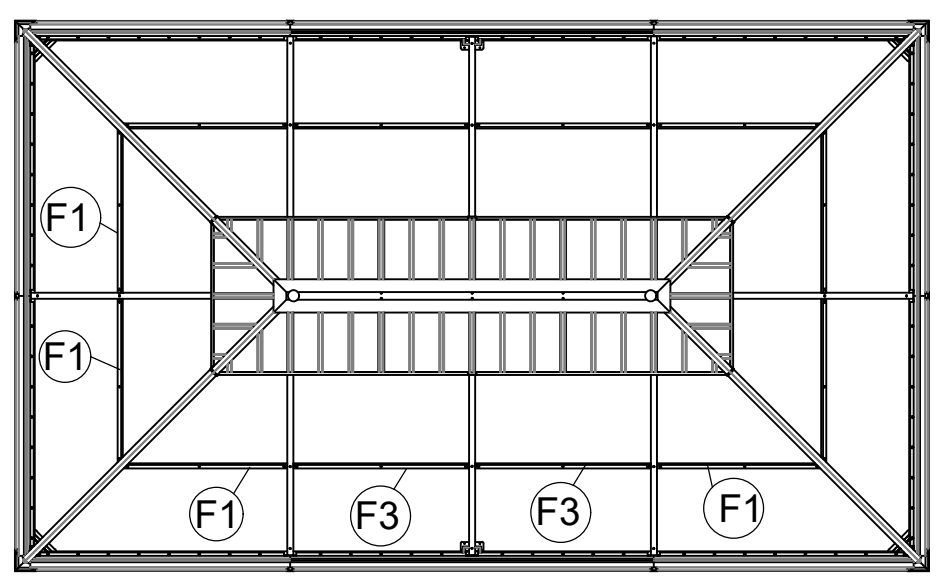
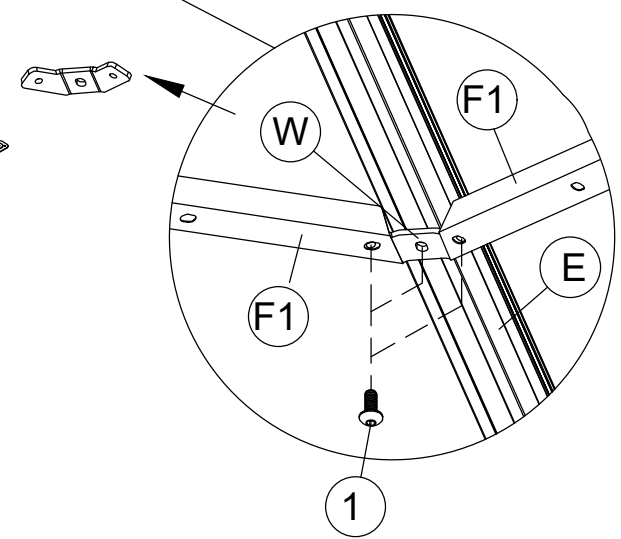
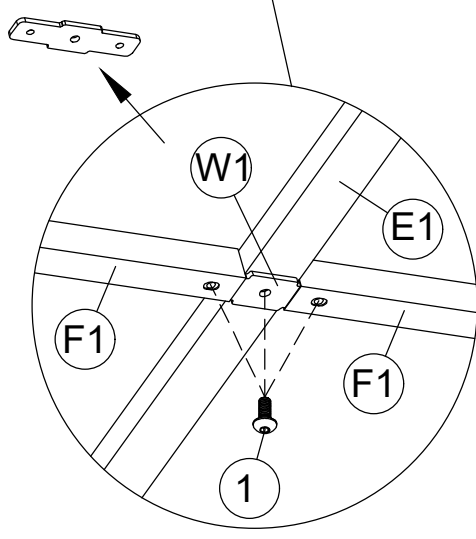
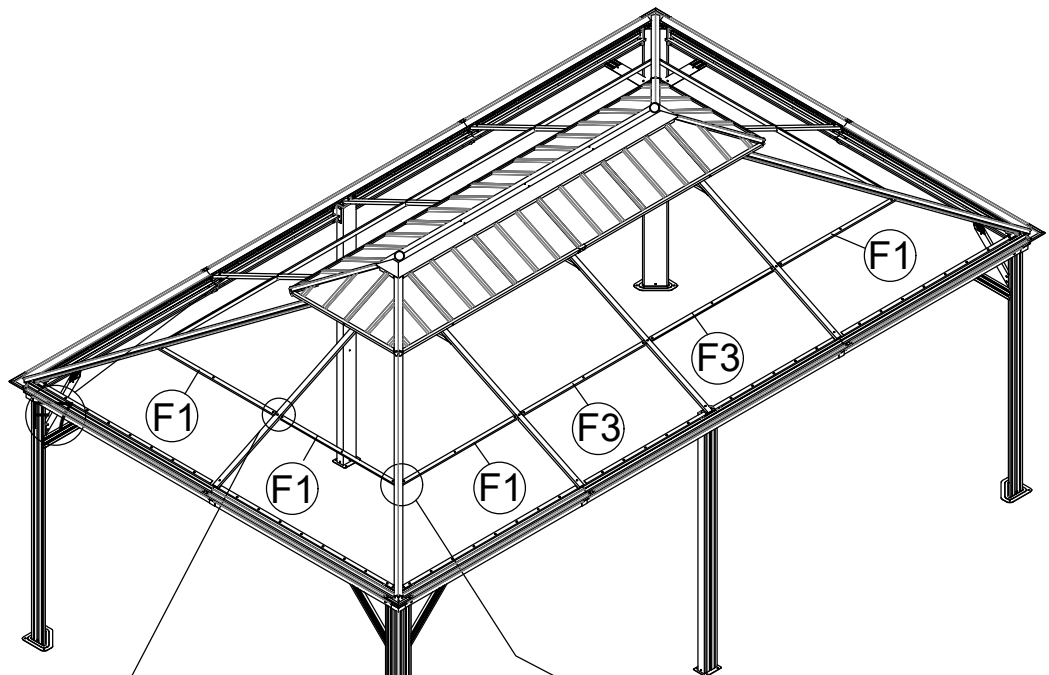
F1 8x

F3 4x

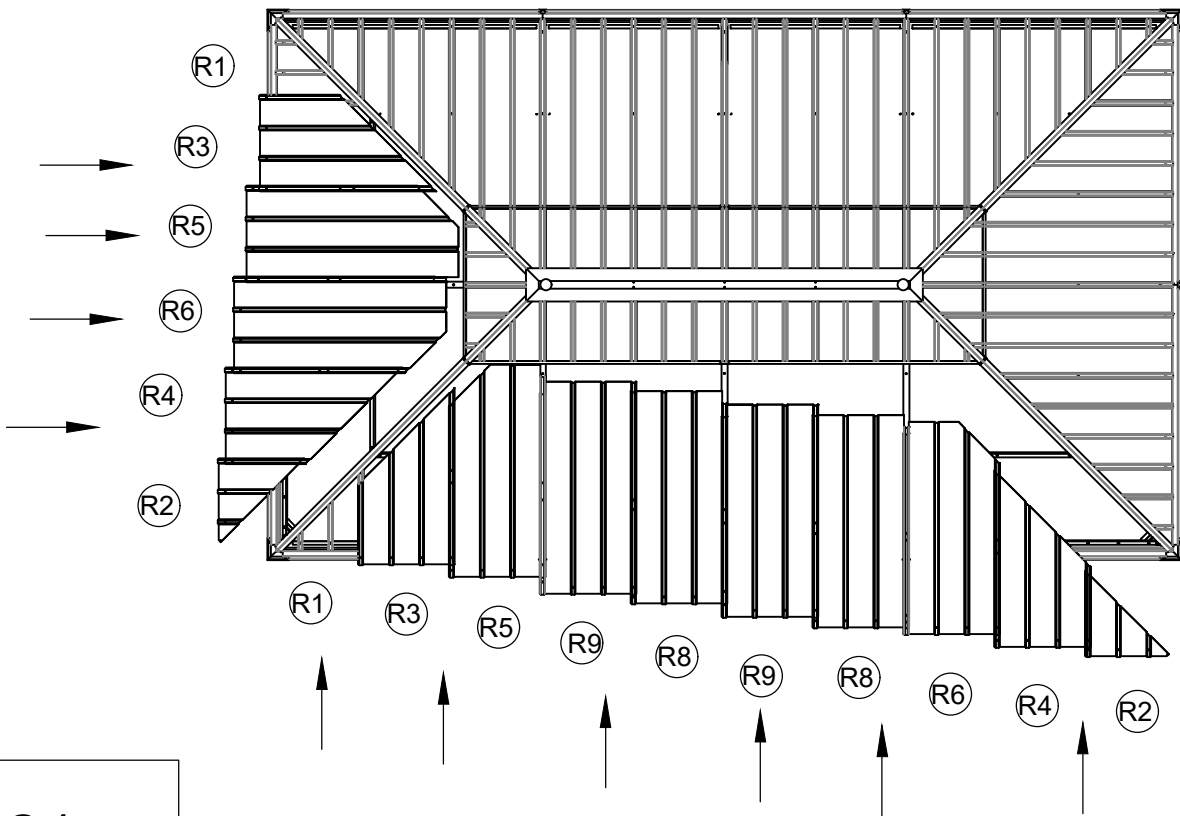
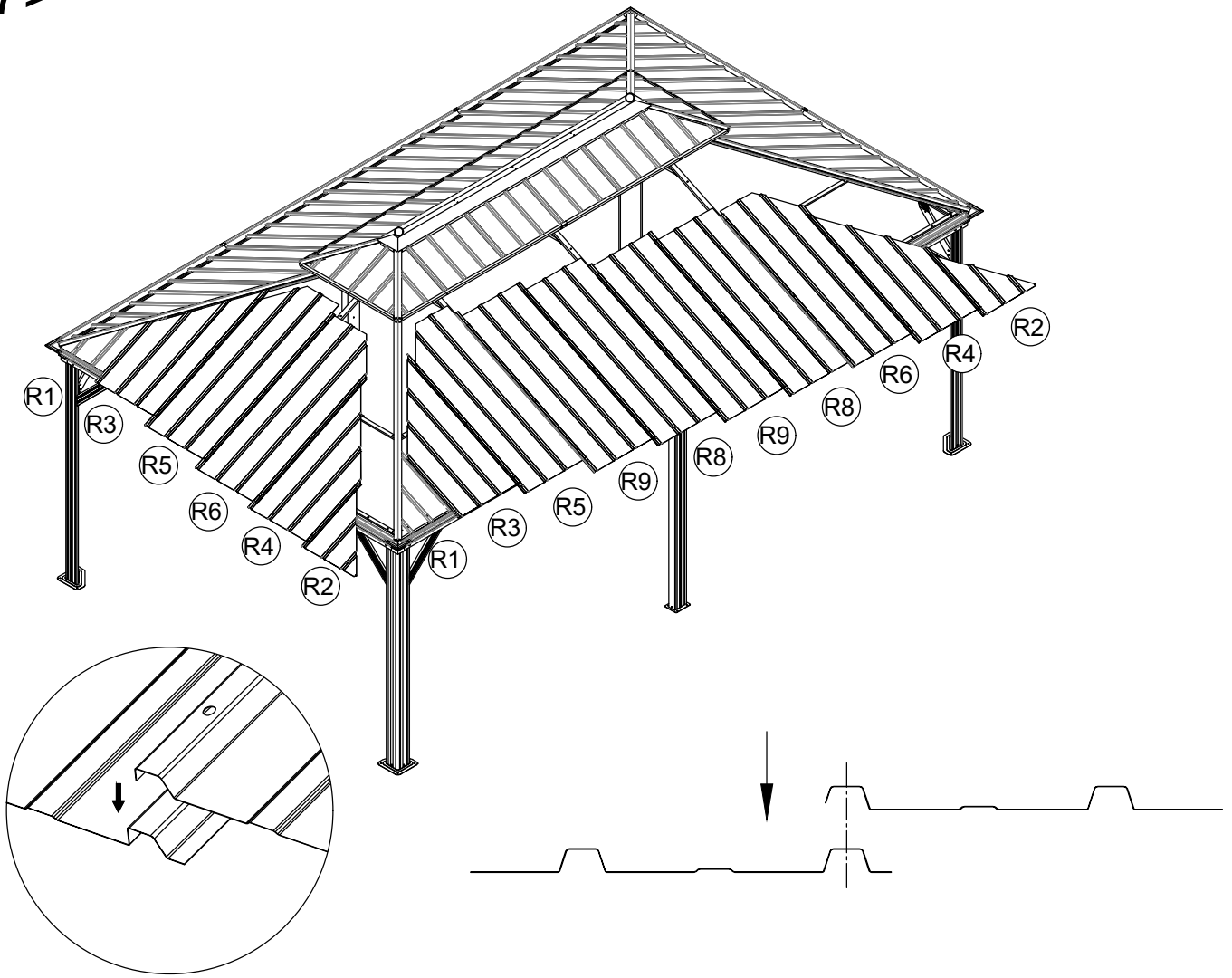
W 4x

W1 8x

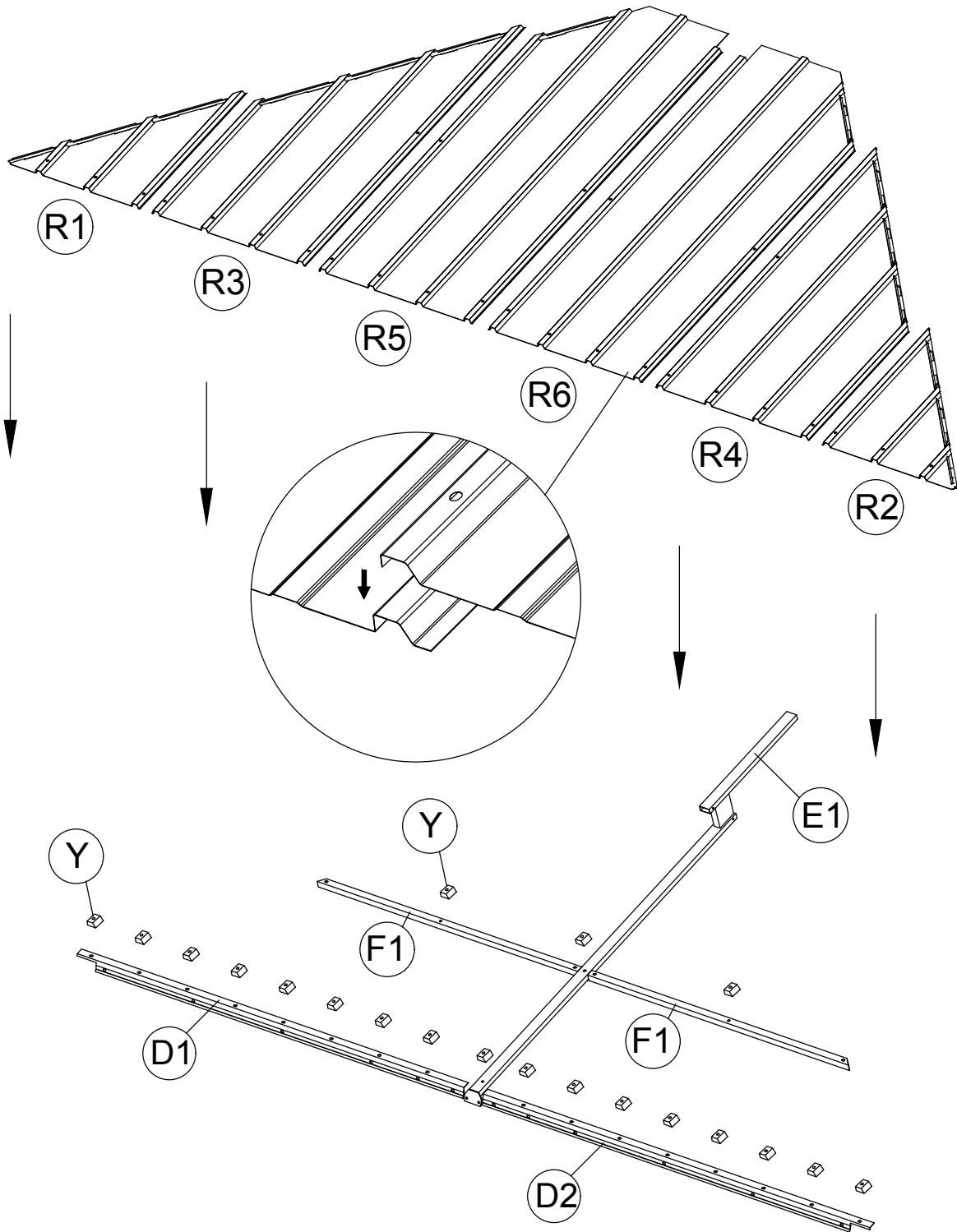
1 36x M6x15



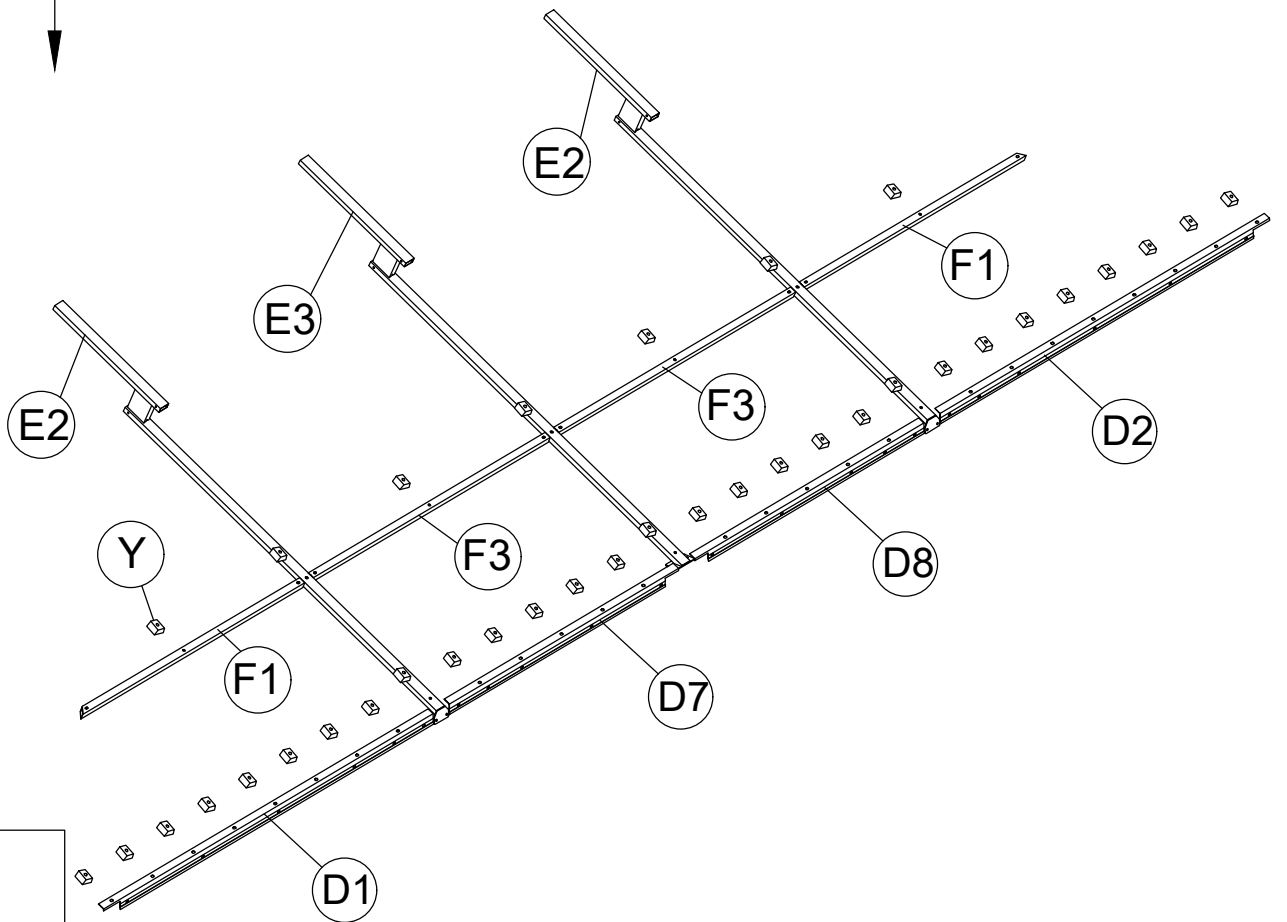
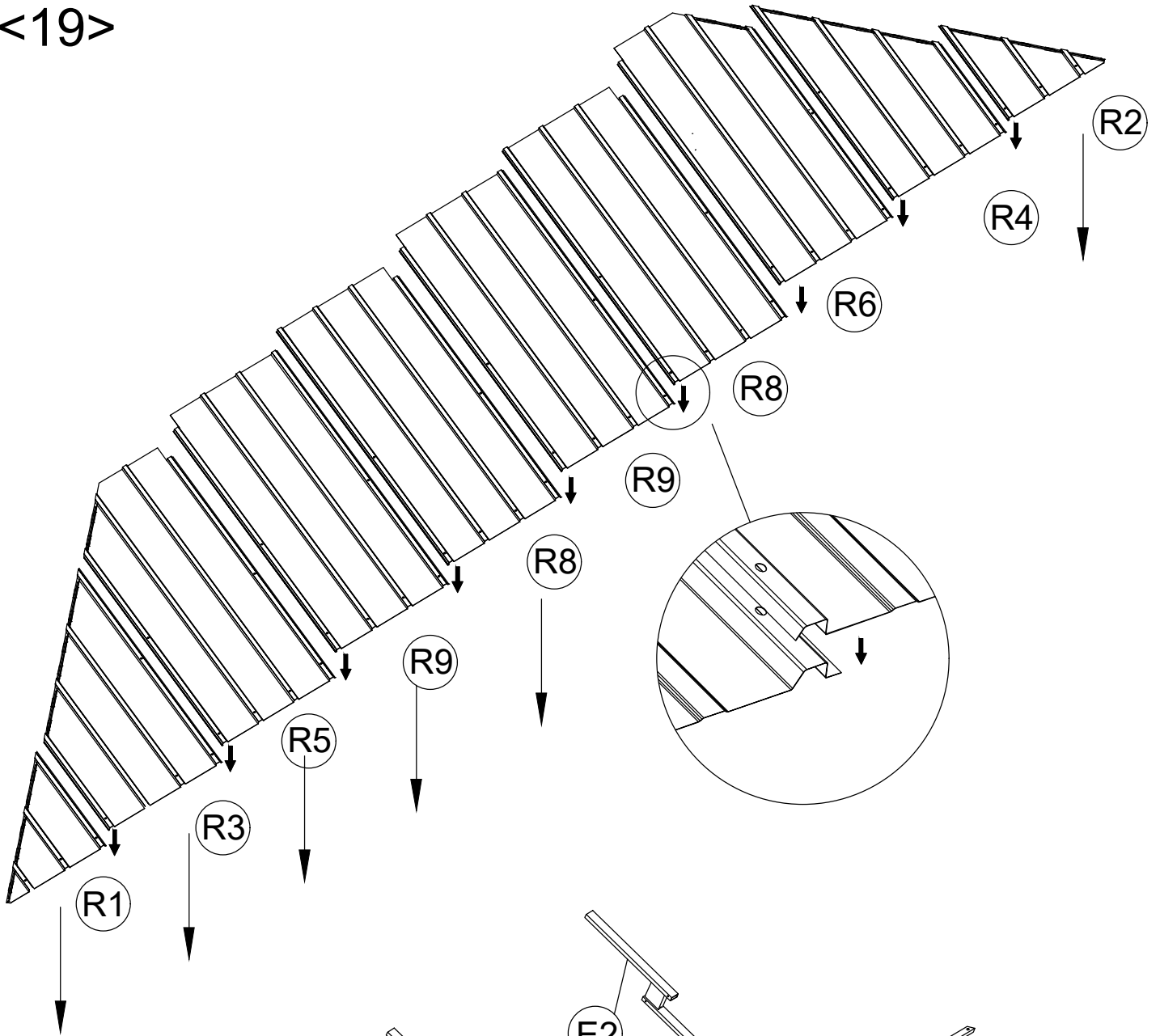
<17>



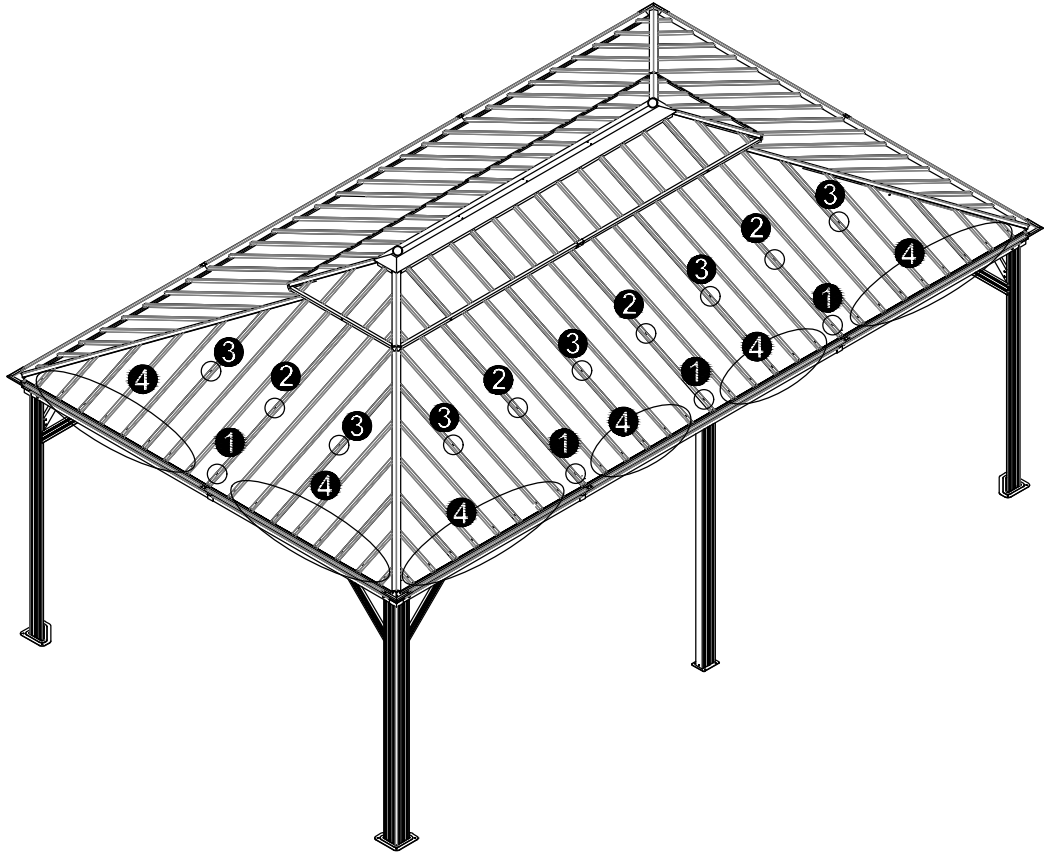
<18>



<19>



23



Y 112x



M6x23

2 84x



M6x25

3 8x



M6x42

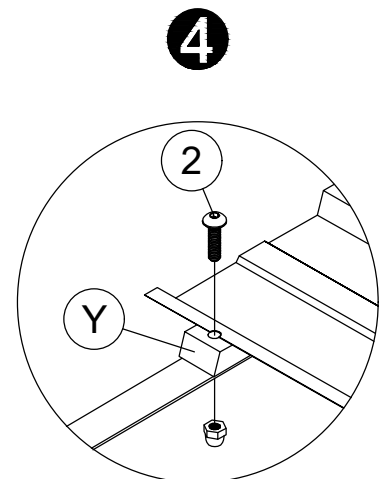
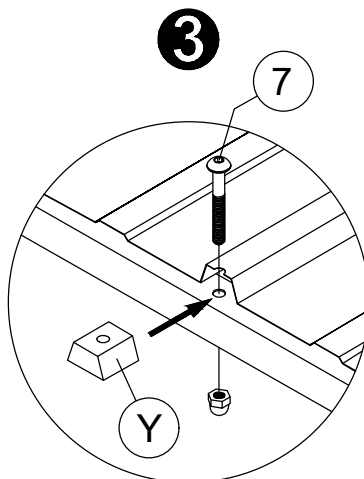
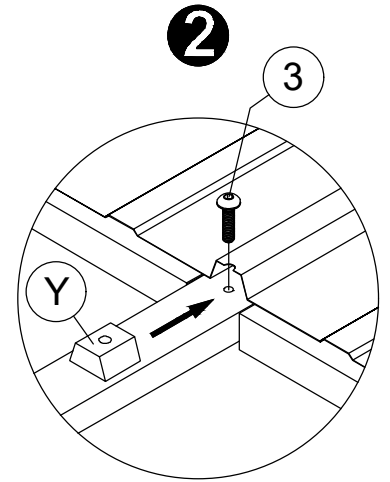
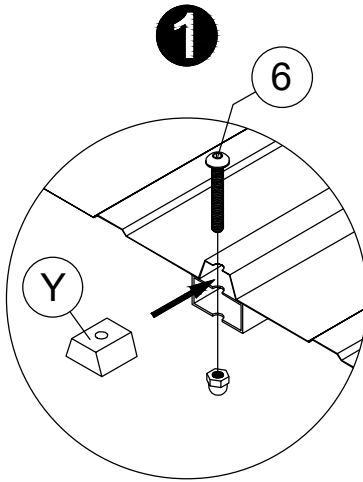
6 8x



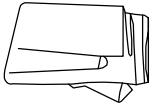
M6x47

7 12x

24

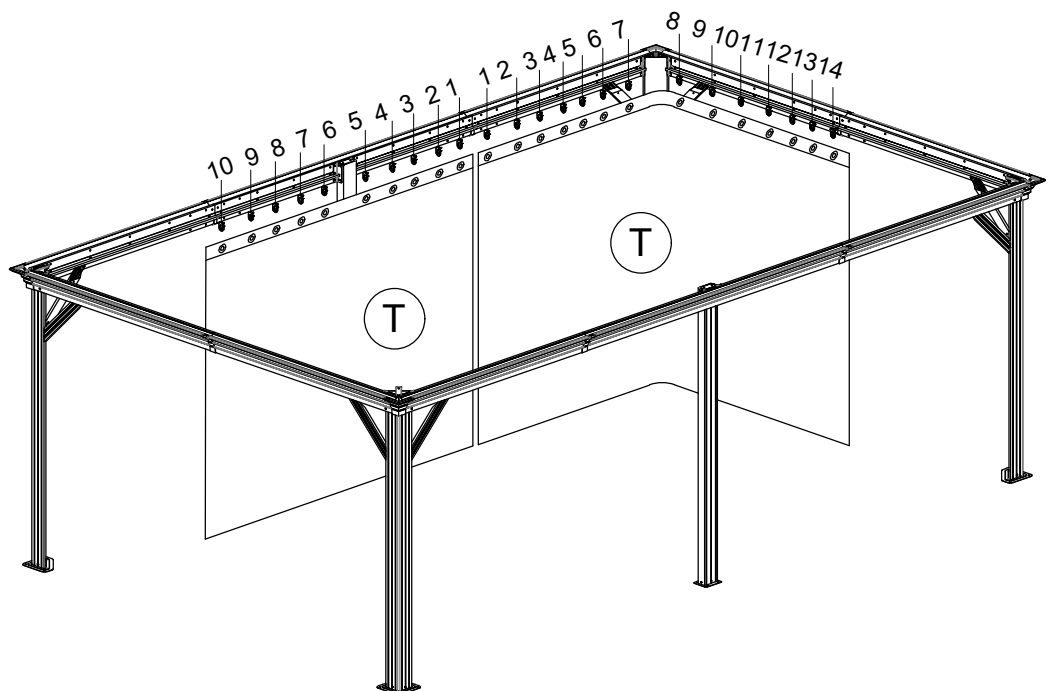
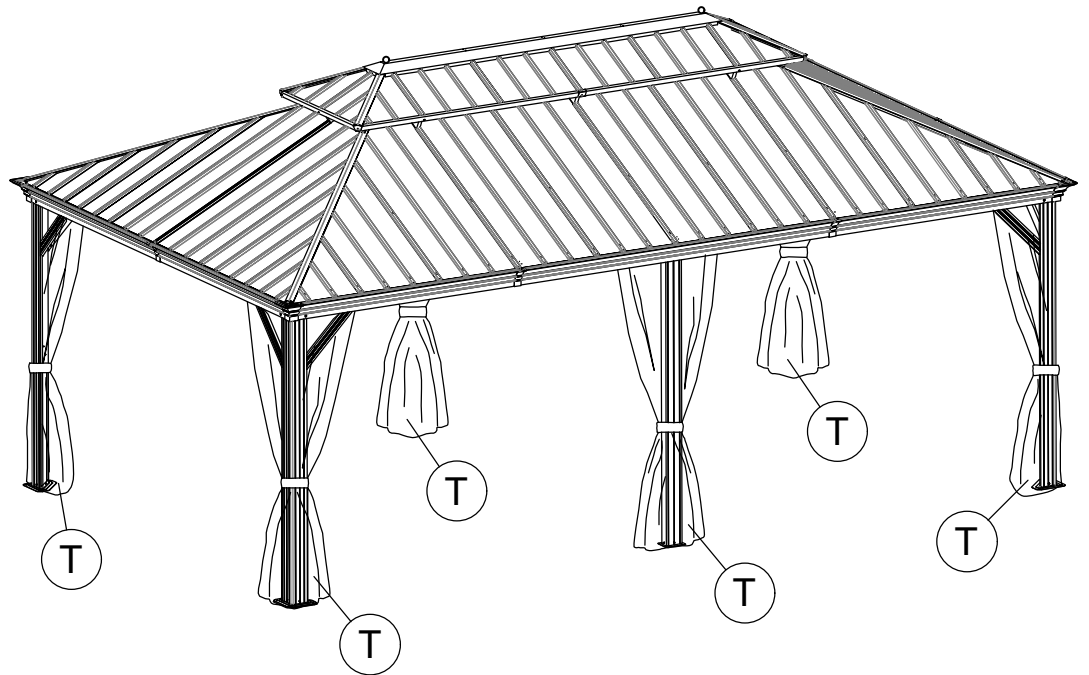
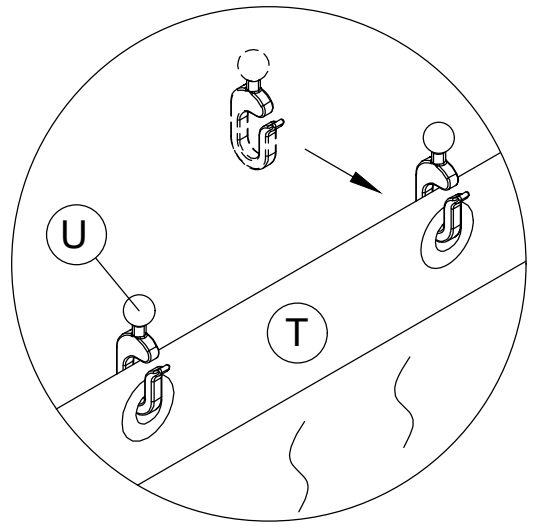
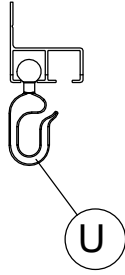


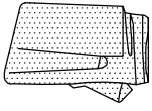
Note: When installing the roof top plates, if the roof plates are slightly uneven, please press the screws from the top of the plates until the bottom screw thread is exposed by 3 to 4mm, and then screw on the nut.



<21>

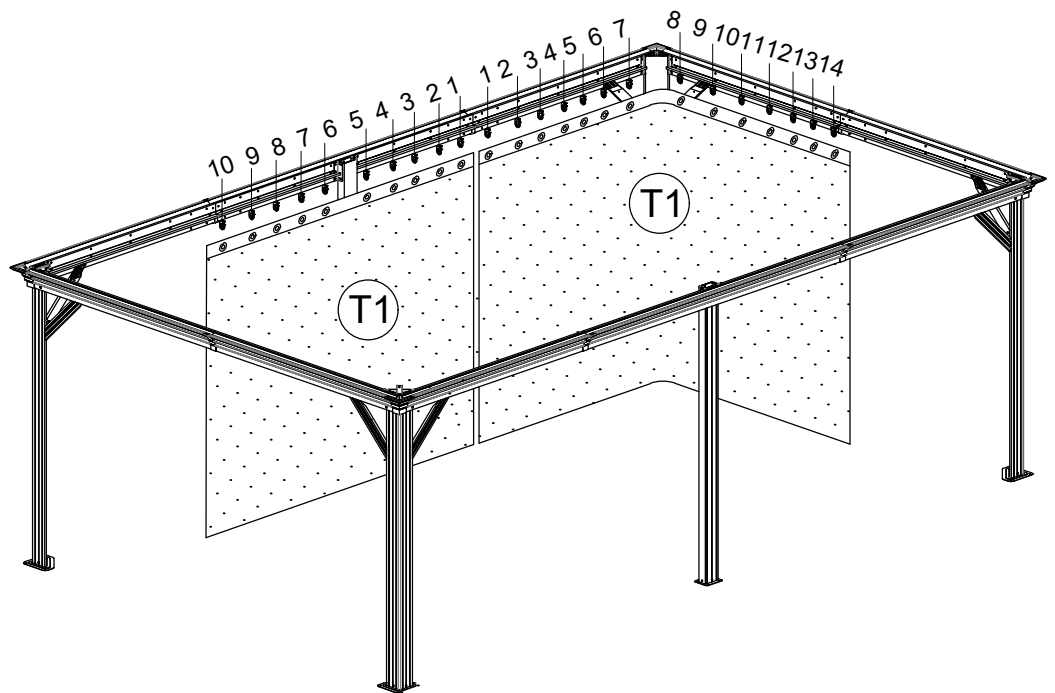
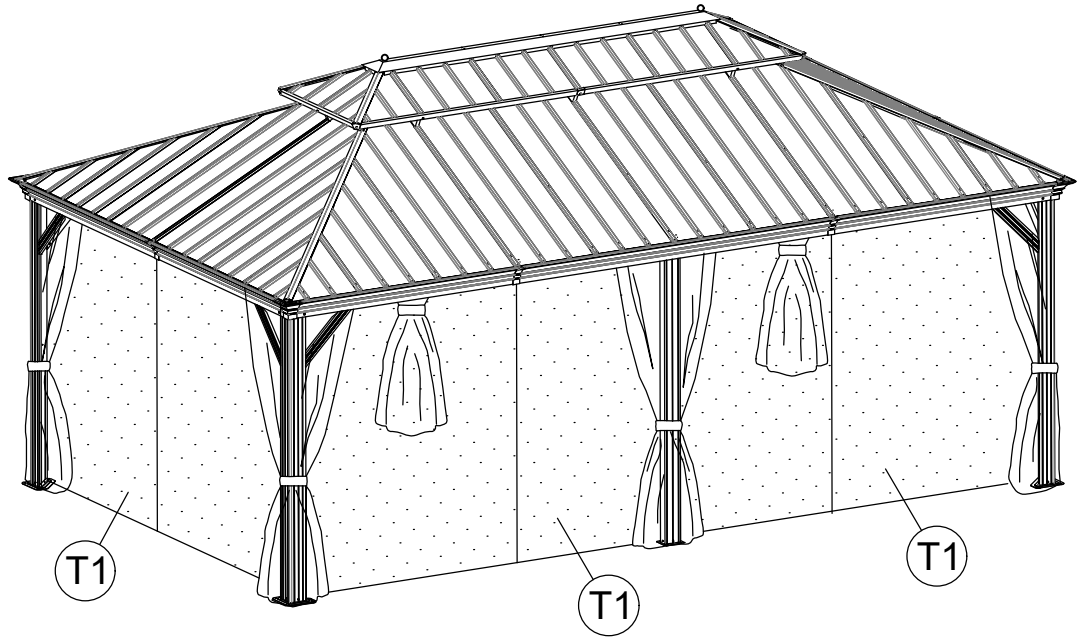
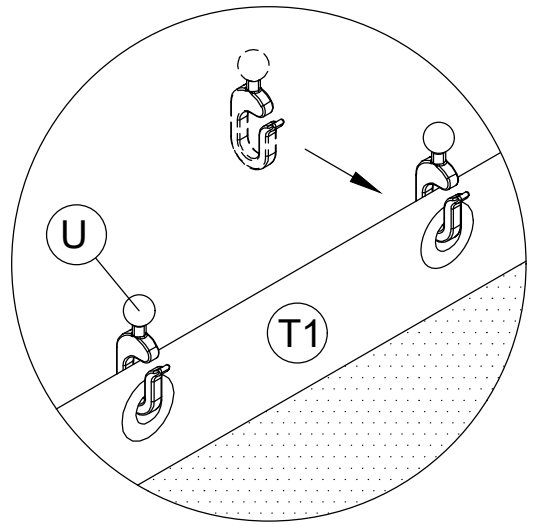
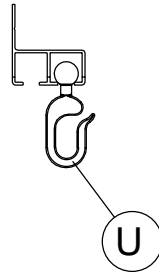
T 4x + 2x



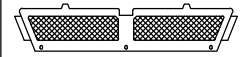


<22>

T1 4x + 2x



<23>



V1 2x



V4a 2X

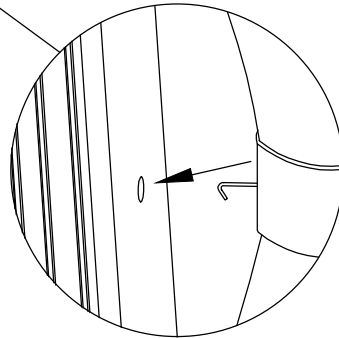
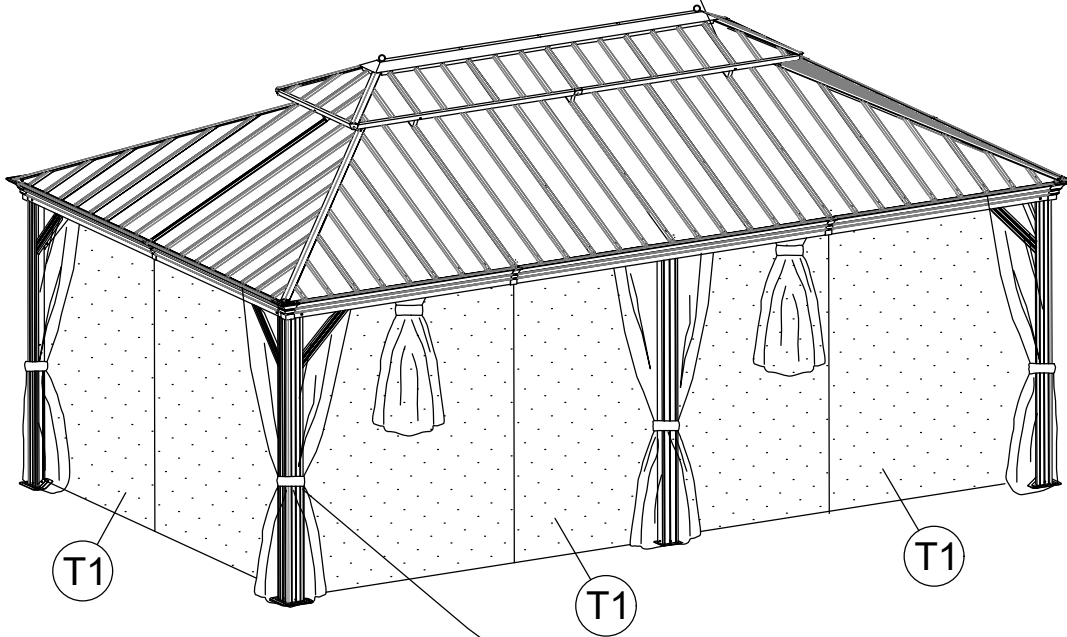
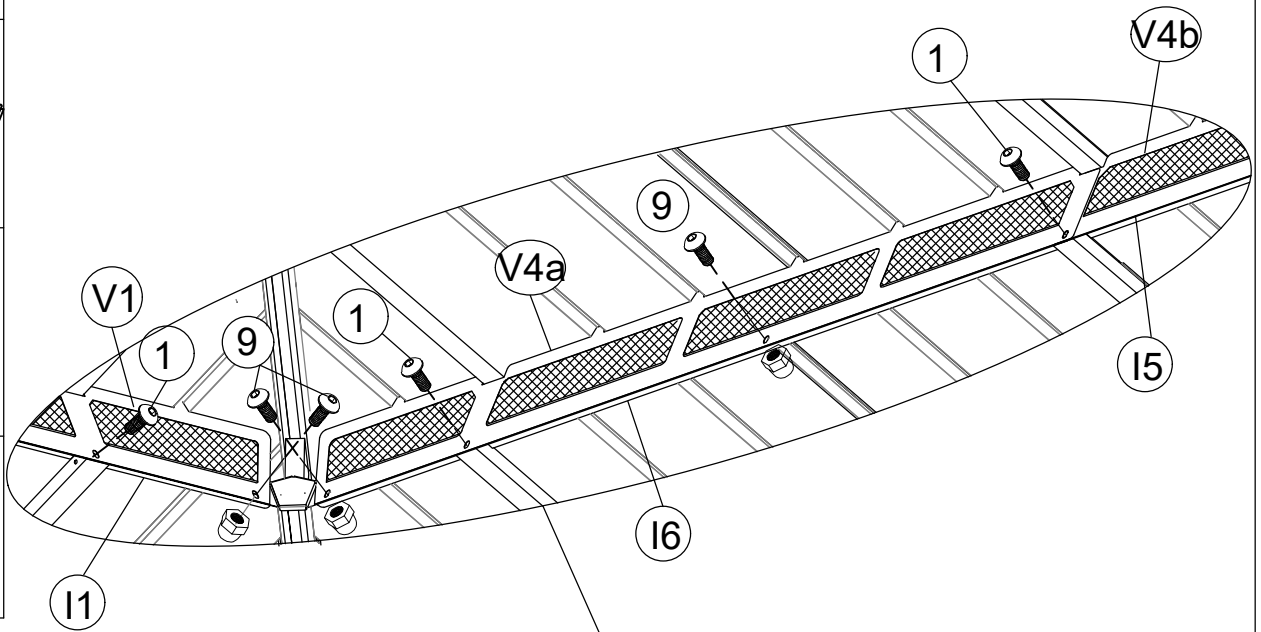


V4b 2x



M6x10

9 12x



Carton-1/6		Carton-3/6		Carton-4/6	
Part	Qty	Part	Qty	Part	Qty
A	4	L4b	1	F1	8
A1	2	M4b	1	F3	4
E1	2	J1	2	F5	3
E2	4	K	4	J	4
E3	2	K1	6	T	4 + 2
G1	2	N	8	T1	4 + 2
G5	2	N1	2	1.2.3.4.5.6.7.8.9. 10.12.13.14	1
G6	2	P	6		
I1	2	V	6		
I5	2	W	4		
I6	2	W1	8		
		Y	112	Carton-5/6	
		U	152	Part	Qty
Carton-2/6		Z	64	R8	4
Part	Qty	Z1	8	R9	4
B1	4	Z2	8	R5	4
B2	4	Za	2	R6	4
V1	2				
V4a	2				
V4b	2	Carton-4/6		Carton-6/6	
		Part	Qty	Part	Qty
		C1	4	R1	4
Carton-3/6		C2	4	R2	4
Part	Qty	C7	2	R3	4
B7	2	C8	2	R4	4
E	4	D1	4	S1	4
E5	4	D2	4	S2	4
H	4	D7	2	S3	8
H1	4	D8	2		