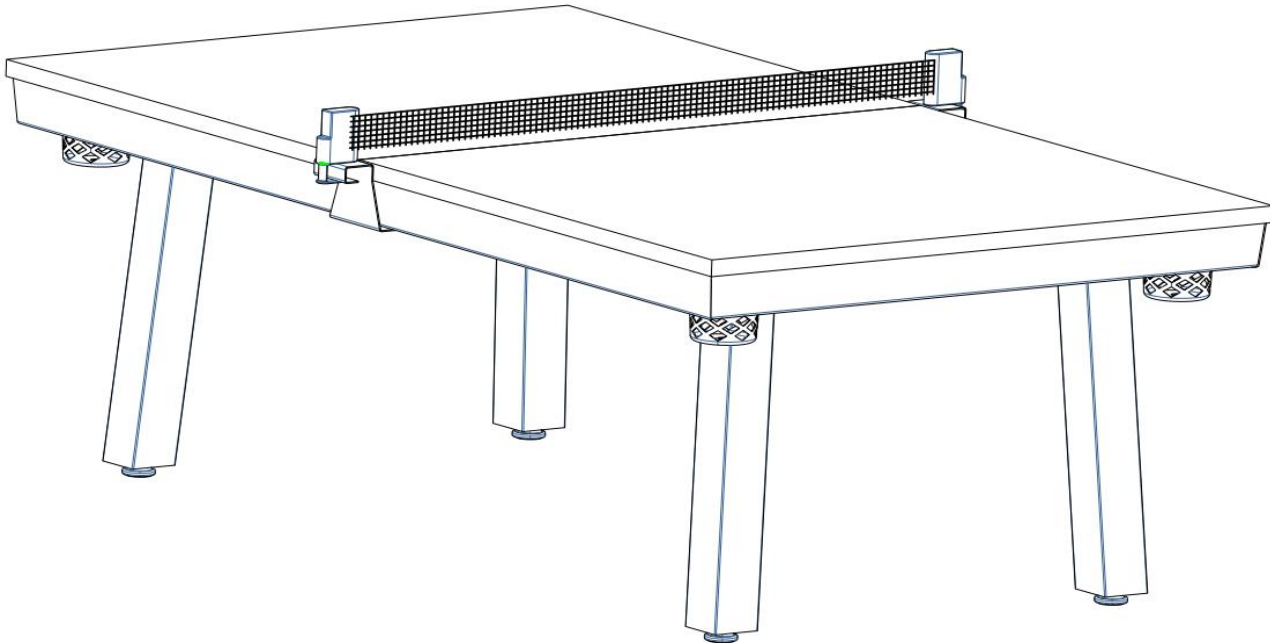


# Assembly Instructions

## Aluminum Outdoor Pool Table



*Note: All the accessories are under the pool table inside the carton. The big bolts are inside the legs.*

### CAUTION

**CAUTION** : This product is NOT a TOY.

Keep your child / children at bay during the assembly process.

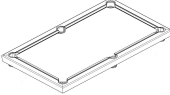



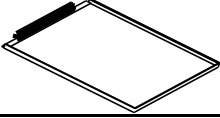

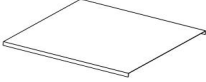
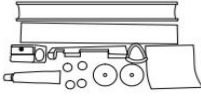

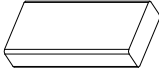
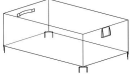

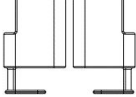


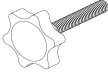

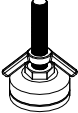









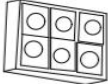
When moving this product, two adults are needed to execute this action to prevent damage.

Please keep this instruction manual for future reference.

### Care Maintenance

- Please keep away from extreme heat and strong oxidizing agents.
- Do not clean products with harsh cleansers or polish.
- Children should not climb or jump on the products.
- Stains may be removed with mild soap solution and damp cloth.
- To obtain the longest lifespan of your outdoor products, avoid extended and lengthy exposure to rain, snow, and direct sunshine. When possible, cover the product or place under the awning.

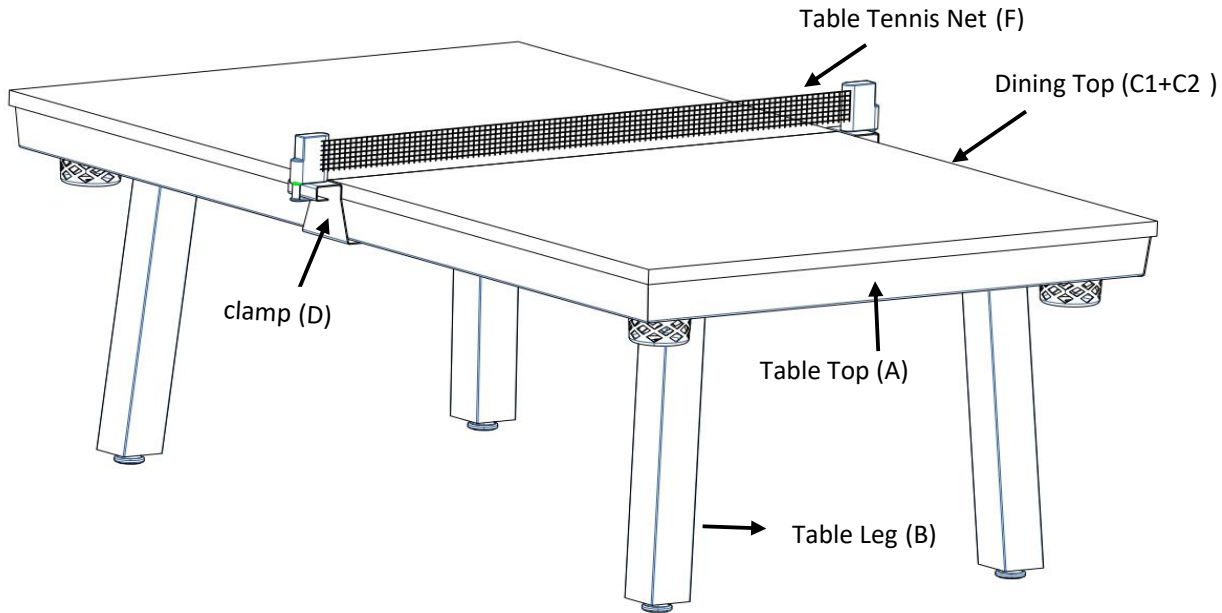
## Part list

Label	Description	Qty		Label	Description	Qty
A	 Table Top	1pc		M	 Billiard Triangle	1 pc
B	 Table Leg	4 pcs		N	 Billiard Ball	1 set
C1	 Dining Top	1pc		O	 Billiard Cues	2 pcs
C2	 Dining Top (with lip)	1pc		P	 Cue Repair Kit	1 set
D	 Table Tennis Clamp	2 pcs		Q	 Wooden Support Object	2 pcs
E	 Table Cover	1 pc		①	 Screw M10X30	8 pcs
F	 Table Tennis Net	1 set		②	 Washer M10	8 pcs
G	 Table Tennis Bats	1 set		③	 Screw M6X20	4 pc
H	 Table Tennis Ball	1 pc		④	 Adjustable foot Levelers (already installed in the table leg)	4 pcs
I	 Bubble Level	1 pc		⑤	 Spanner	1 pc
J	 Rail Brush	1 pc		<ul style="list-style-type: none"> <li> <b>Read instructions, page by page</b></li> <li> <b>Have 2-4 adults on hand for assembly</b></li> <li> <b>Do not assemble on flooring or carpet</b></li> <li> <b>Assemble on a clean non-marring surface (packing foam)</b></li> <li> <b>Save all packaging until assembly is completed.</b></li> </ul>		
K	 Cue Rack	1 set				
L	 Billiard Chalk	1 box				

Before assembling, please check if you have all the items in the part list above.

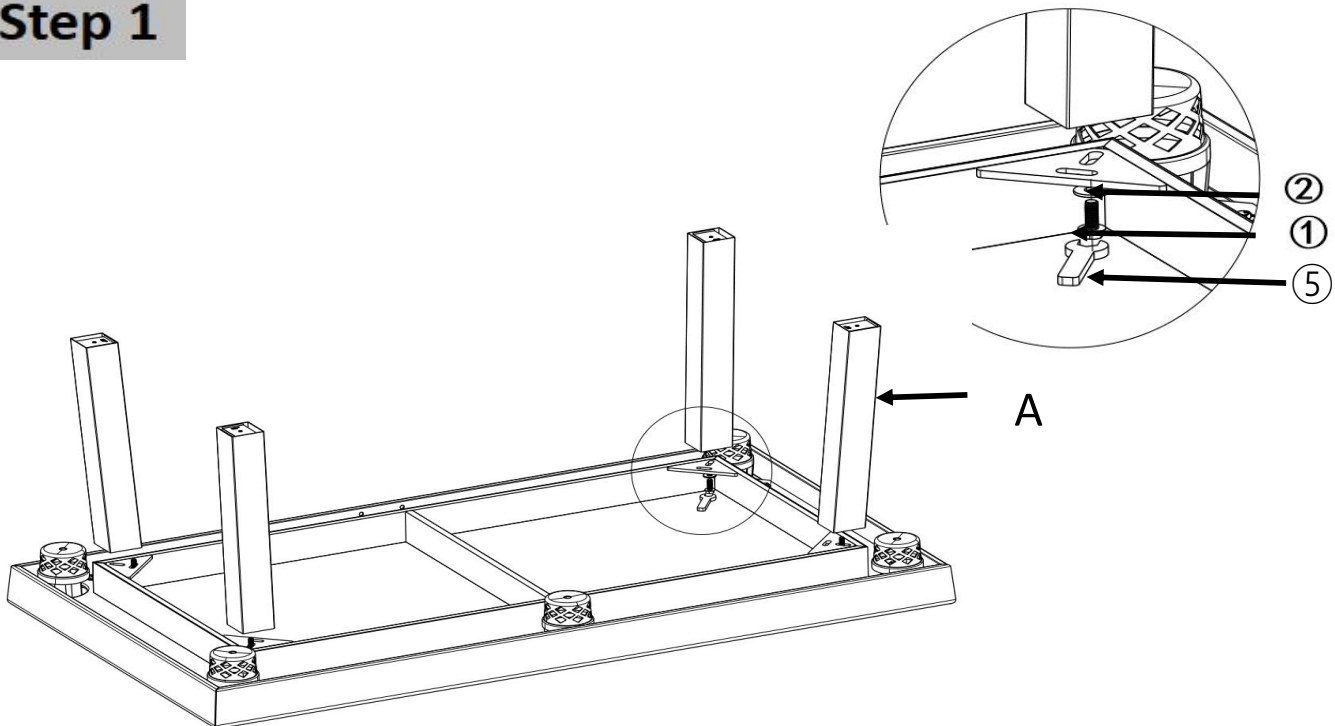
# Assembly Steps

## OVERVIEW



This product has multiple parts and may require up to 60 minutes to assemble. To give an overview of the parts, the picture above is meant to help put the various parts into perspective. Please read through the instructions below to familiarize yourself with the parts and steps before assembly.

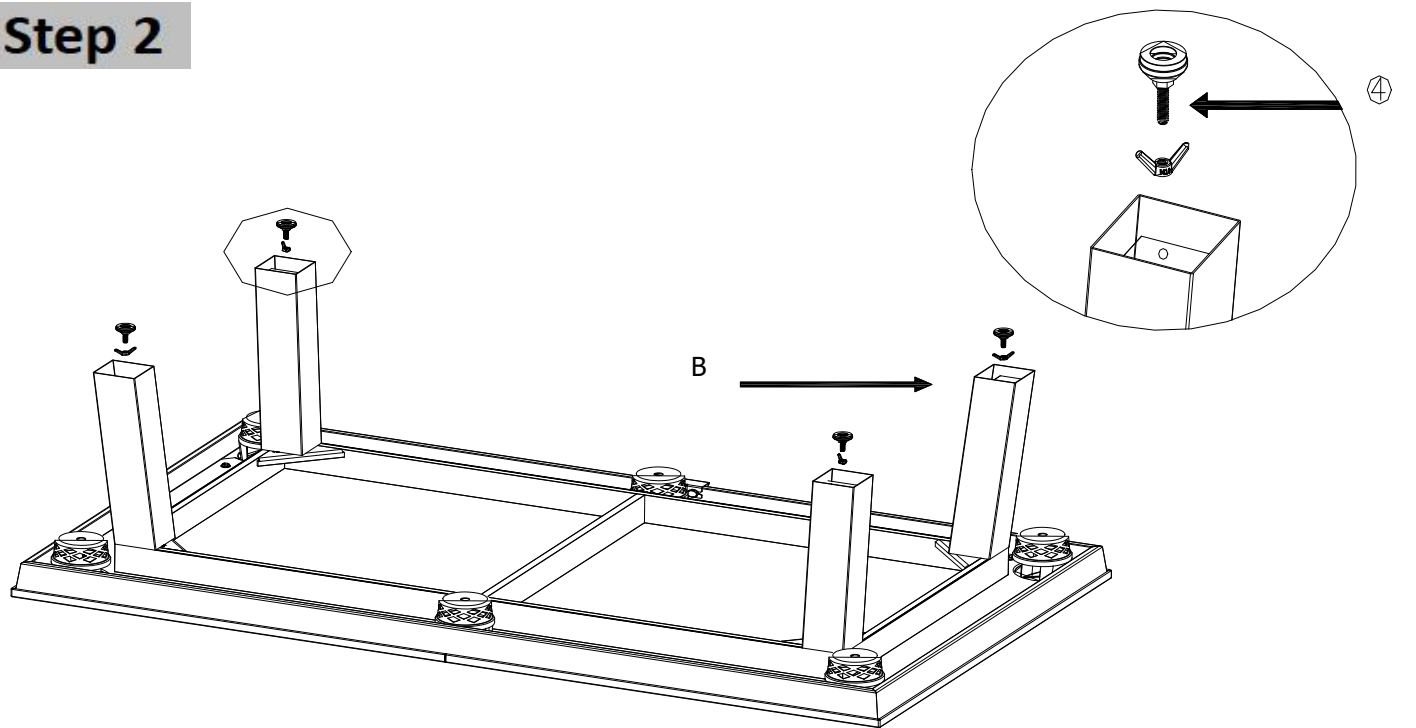
## Step 1



Place the Table upside down (A) onto a clean, non-marring surface. (Note: Be careful as any sharp or hard object may damage the surface of the product.)

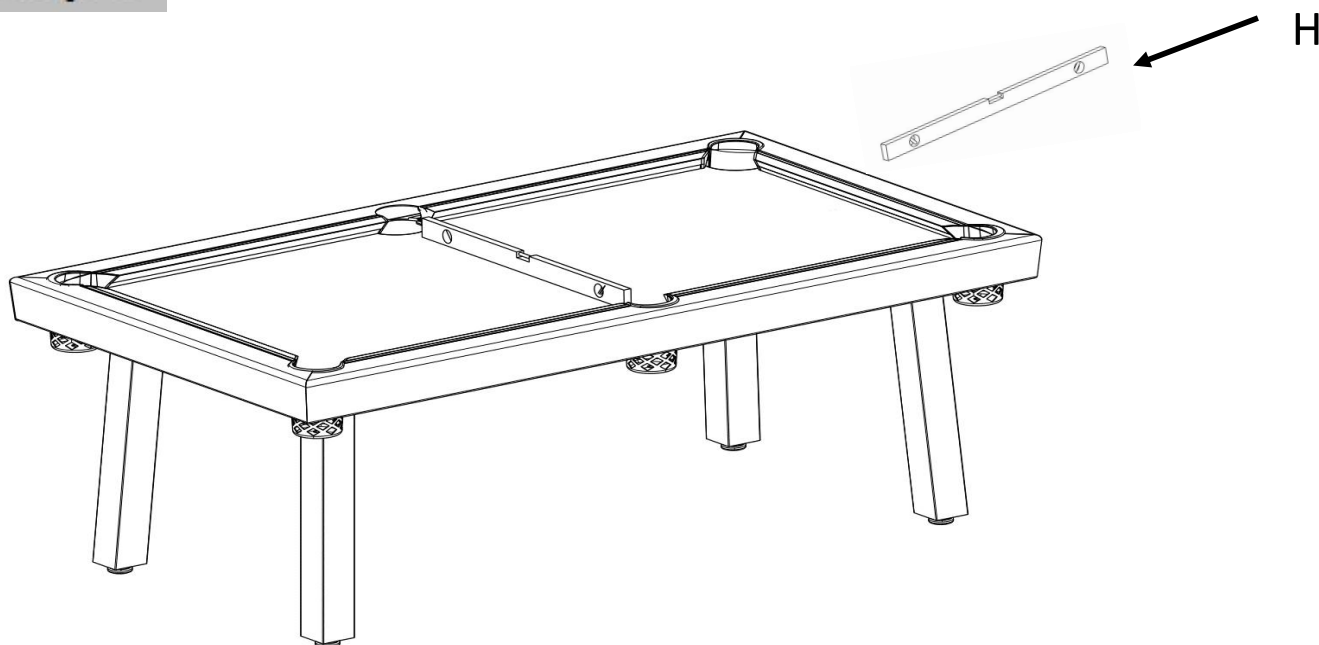
Attach the Table Legs (B) to the Table (A) as pictured using Screws (1), Washer (2) and Spanner (5) until everything is tightened well.

## Step 2



Place the Adjust Table Foot Levelers (4) onto the Table Legs (B). Note: If the floor is not flat, the table can shake easily after installation or the balls won't roll properly. If this is the case, please adjust the foot levelers (4) until the playfield is leveled.

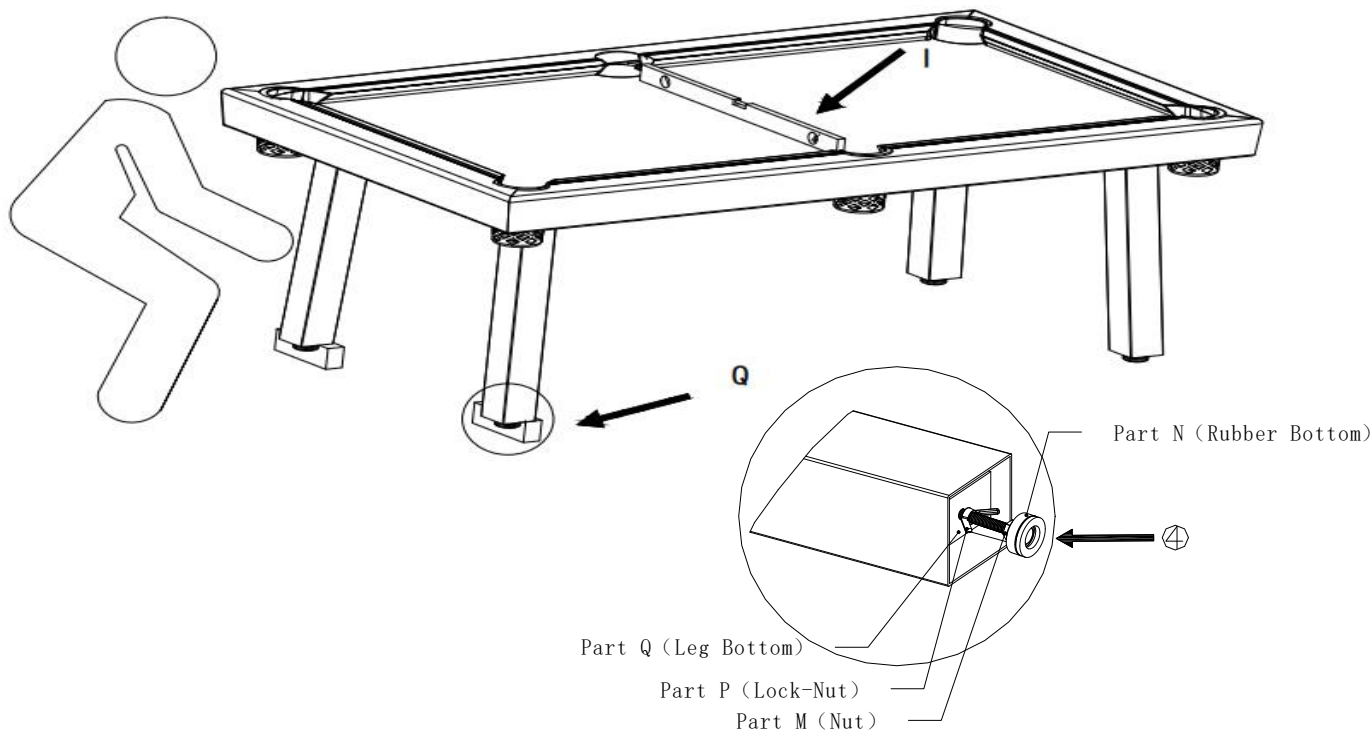
## Step 3



Use the included Bubble Level to ensure the table is well balanced and even.

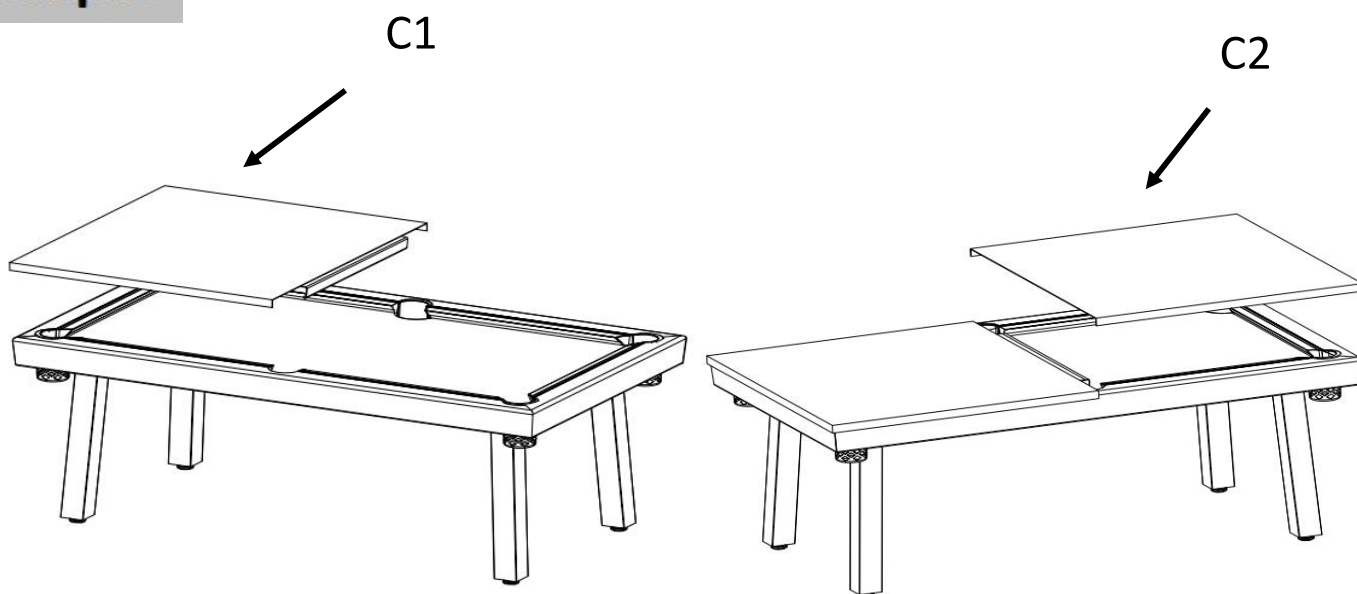
Note: If the floor is not flat, the table can easily wobble after installation or the balls will not roll properly. If this occurs, please adjust the foot leveler (4) until the playfield is leveled.

## Step 4



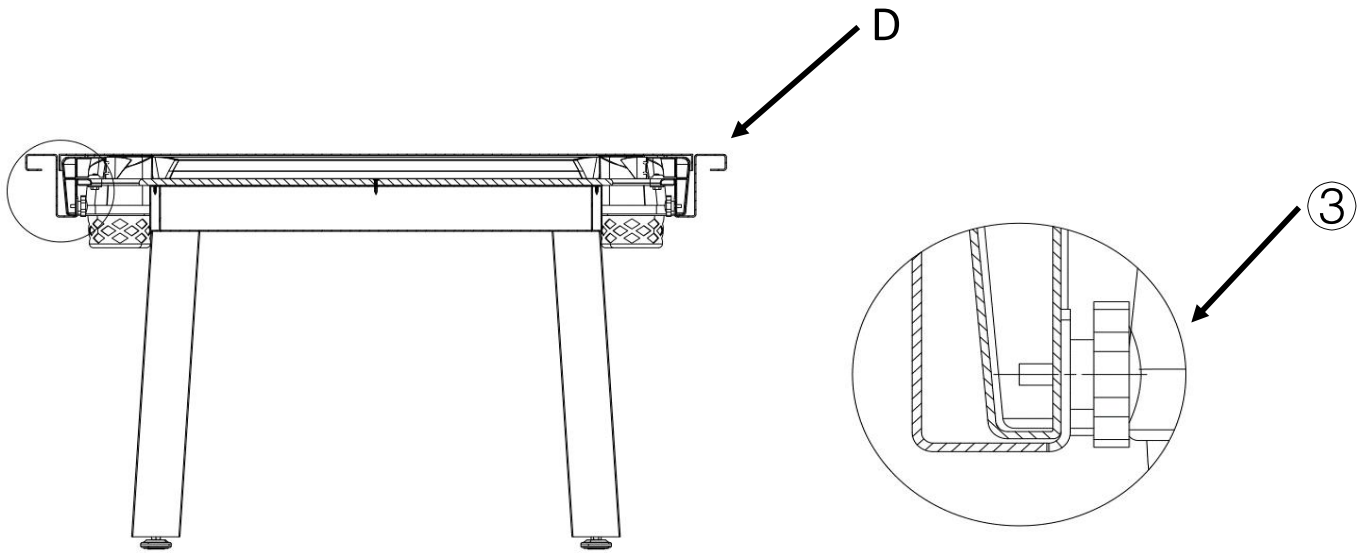
First, have one person lift the pool table leg, while another person places the wooden support object under the leg. Second, part M (nut) should always be tightened with part N and keep them together, and part P (lock-nut) should be loose before or during adjusting. Third, adjust the table height, turning part N counterclockwise to raise, and clockwise to lower. Fourth, when the correct leveling height is reached, remember to tighten part P (lock-nut) in order for the table to maintain the same height.

## Step 5



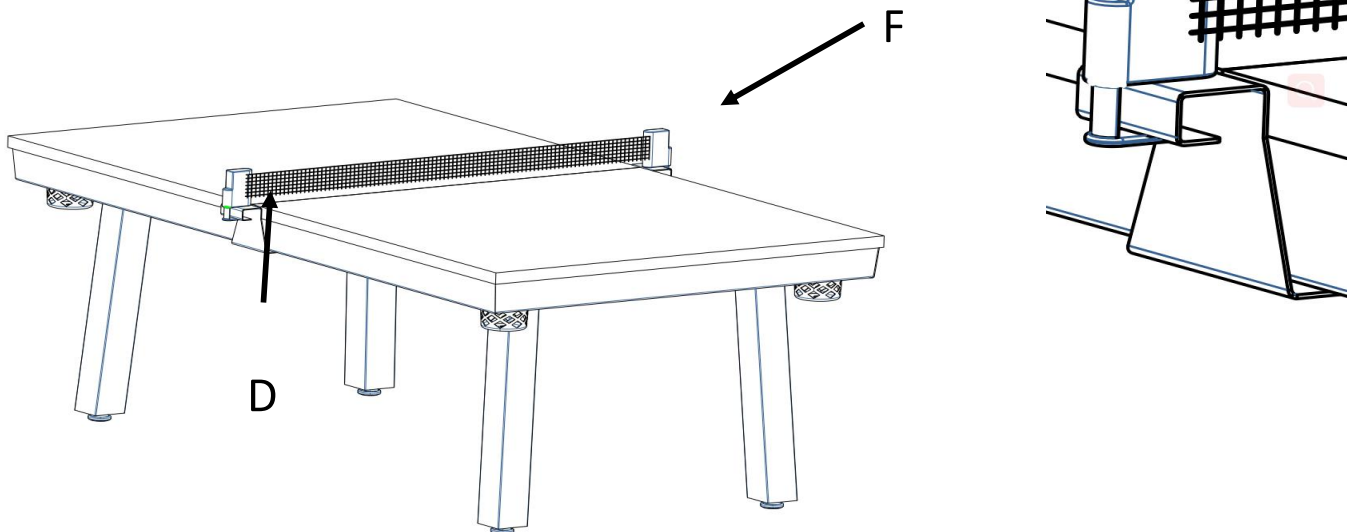
Put the Dining Top (C1 and C2) over the Table Top(A). (First C1 then C2)

## Step 6



Using Screws (③), place the Clamp (D) with the Table Top (A) and Dining Top (C).

## Step 7



Place the Table Tennis Net (F) with the Clamp (D) .

Note: If you want to replace the cloth, please contact professional pool table installers and use the waterproof billiard cloth.

## Customer Service

If you have any questions about assembly, or if you find parts missing or damaged, please email us at [sales@homeseasoninc.com](mailto:sales@homeseasoninc.com) or text message to 1(909)763-1019

Thank you for choosing Homeseason!