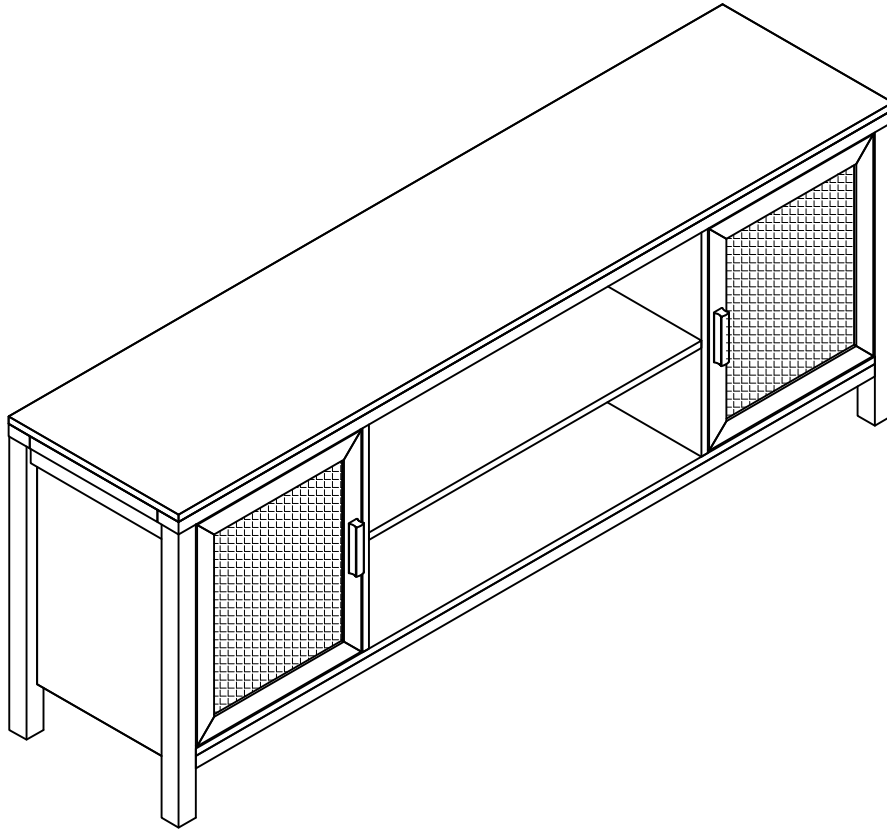


Assembly Instruction



Trouble shooting:

Missing / Wrong / Broken parts and installation issues



Send email with your question, pic and order number. to



Respond within 24 hours

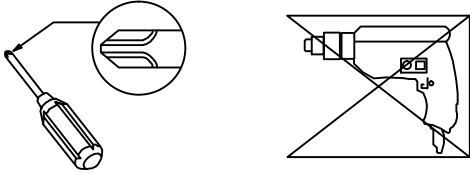


Issue resolved

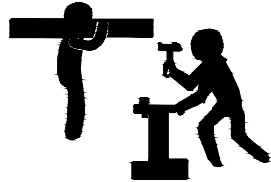
YOU NEED

1. Tools required

A Phillips head screw driver is required for the assembly of this product, (not included) Electric tool should not be used to assemble this product.



2. Two people are needed



Tips!



1. Check all the components & screws are intact before assembling .
2. If you notice any pieces are missing or damaged please do not assemble and contact us immediately .
3. Please send an email with you order number and issues, we will respond within 24 hours. Customer Service Team: support@idealhouse.vip

IMPORTANT SAFETY INFORMATION

. Please carefully read the following instructions and caution warnings before assembling the product.

. Following this guide will ensure that you install, use and maintain the product properly.

. Please keep this installation and user manual/instructions for future reference in case you need to disassemble the product.

. Never allow children to climb onto the product. Ensure that you have special safety measures when children are around on their own.

. Be sure to check that all parts of the product are intact after you open the package.

. Do not assemble if you notice serious damage such as cracks or bends.

. During installation, please use work gloves for hand safety.

. Please assemble the unit on carpeted floor or the flat cardboard box to avoid scratching the surface or your floor while assembling on the floor.

. To assemble, please use the complimentary installation tools (Phillips screwdriver). Pay more attention to the direction of components at each step.

. It is recommended that two people work together to assemble the product.

RETURN POLICY

. Please contact us directly within 30 days after receiving.

. Ensure the product is in a good condition with the original box and all original certificates of purchase, manuals, and accessories attached.

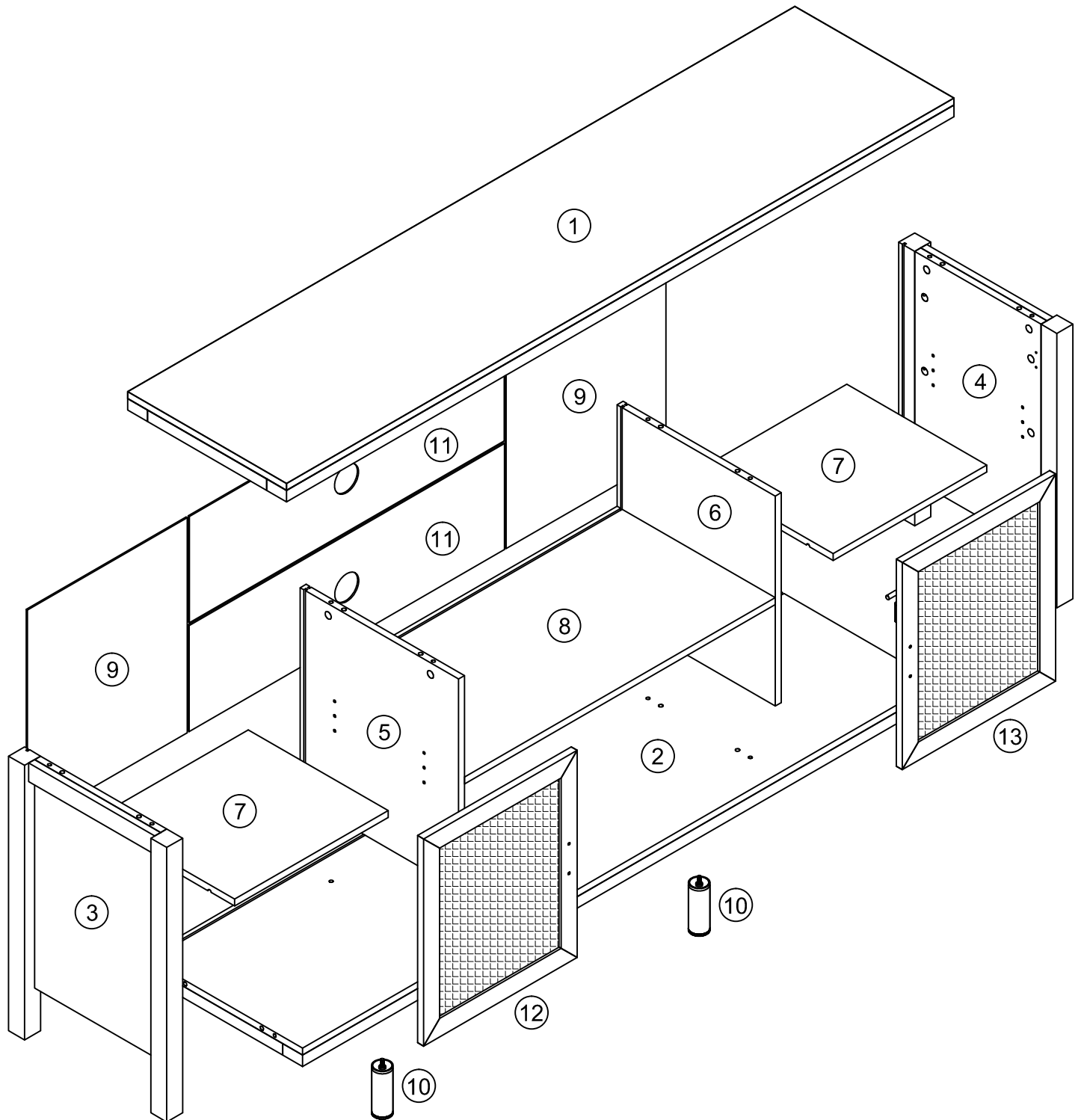
How to maintain your product

. Check the screws of the product are not loose from regular use.:




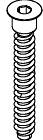
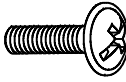


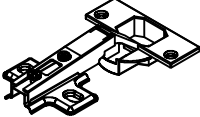
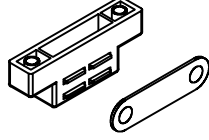


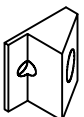

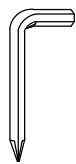
. Do not use sharp instruments, rubbing alcohol, corrosive chemicals, or abrasive cleaners to clean the item.

COMPONENTS ID Nr.

Part Nr.	QTY	Part Nr.	QTY	Part Nr.	QTY
1	1 PCS	2	1 PCS	3	1 PCS
4	1 PCS	5	1 PCS	6	1 PCS
7	2 PCS	8	1 PCS	9	2 PCS
10	2 PCS	11	2 PCS	12	1 PCS
13	1 PCS				

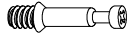


HARDWARE LIST

<p>Ax16+1</p>  <p>M6 x 35mm</p>	<p>Bx16+1</p>  <p>Ø15 x 11mm</p>	<p>Cx20+2</p>  <p>Ø8 x 30mm</p>	<p>Dx4</p>  <p>M6 x 48mm</p>	<p>Ex4</p>  <p>M4 x 16mm</p>
<p>Fx2</p>  <p>99*19*20mm</p>	<p>Gx8</p>  <p>Ø5*19</p>	<p>Hx4</p>  <p>Ø26</p>	<p>Ix2</p>  <p>53*12*20mm 45*12*1.5mm</p>	<p>Jx20+2</p>  <p>Ø3.5 x 14mm</p>
<p>Kx4</p>  <p>M4 x 18mm</p>	<p>Lx12+1</p>  <p>15*15*10mm</p>	<p>Mx12+1</p>  <p>M3 x 16mm</p>	<p>Nx1</p>  <p>M4</p>	

1

M6 x 35mm

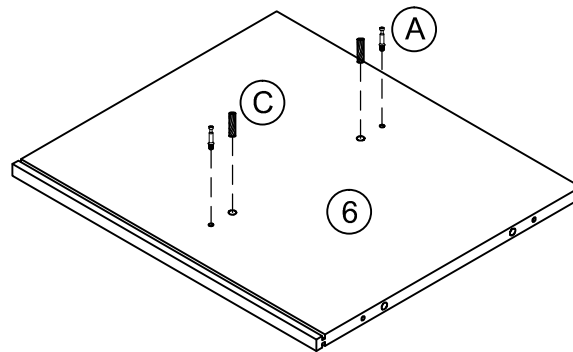


Ax2

φ8 x 30mm



Cx2

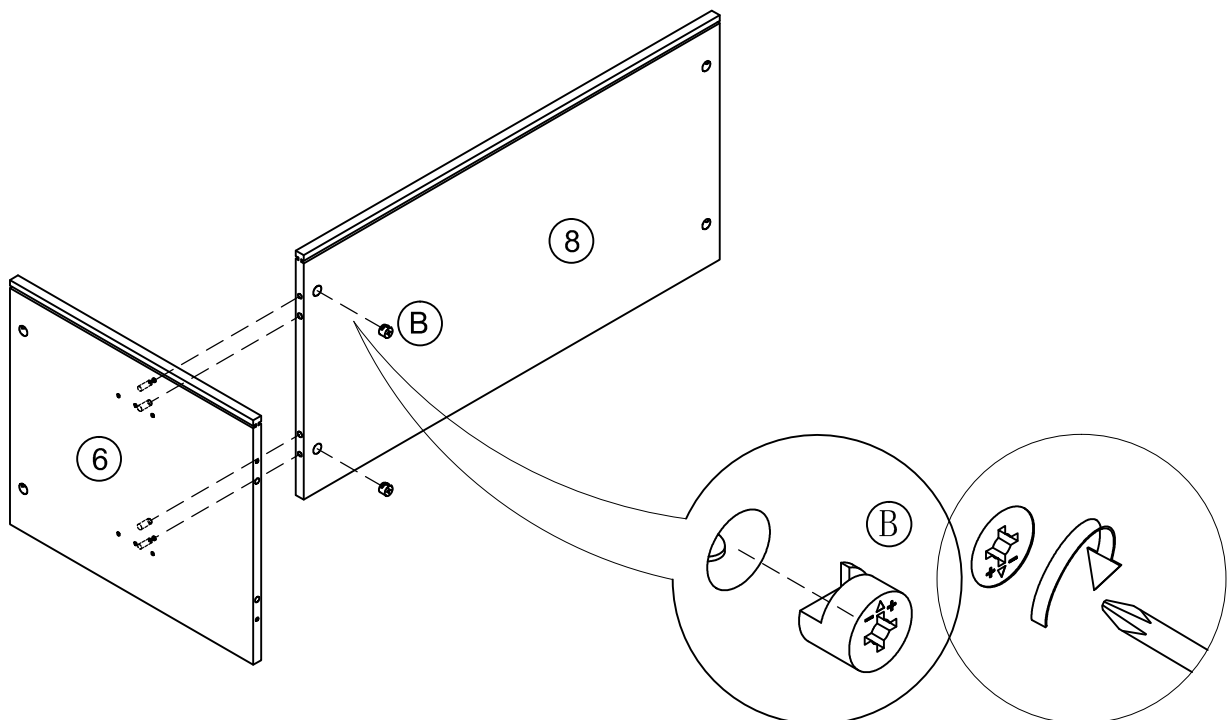


2

φ15 x 11mm

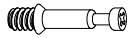


Bx2



3

M6 x 35mm

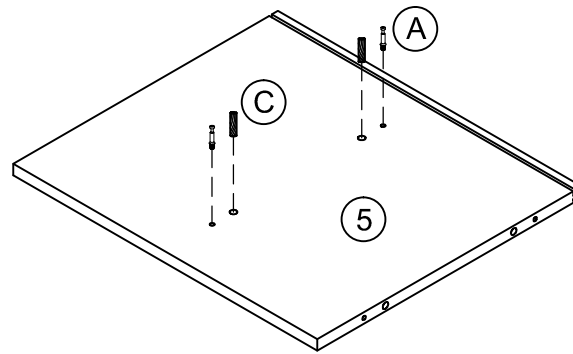


Ax2

φ8 x 30mm



Cx2

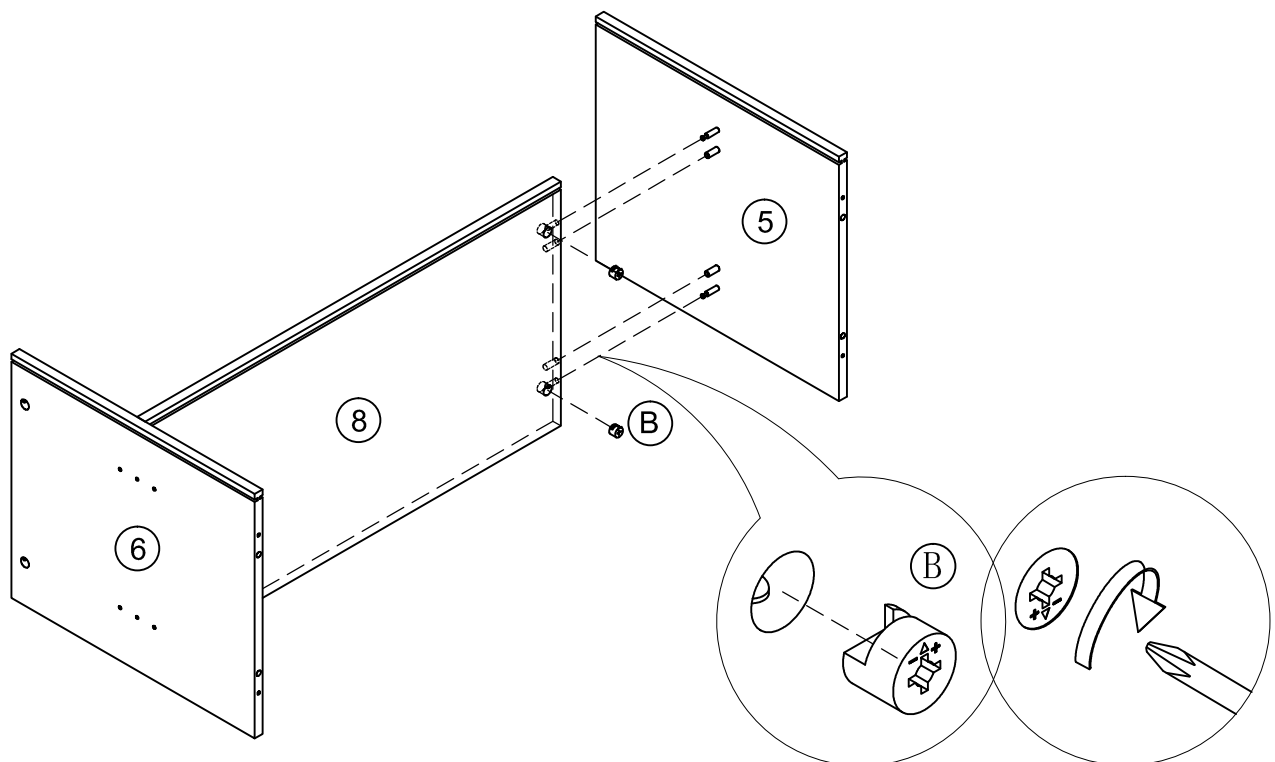


4

φ15 x 11mm

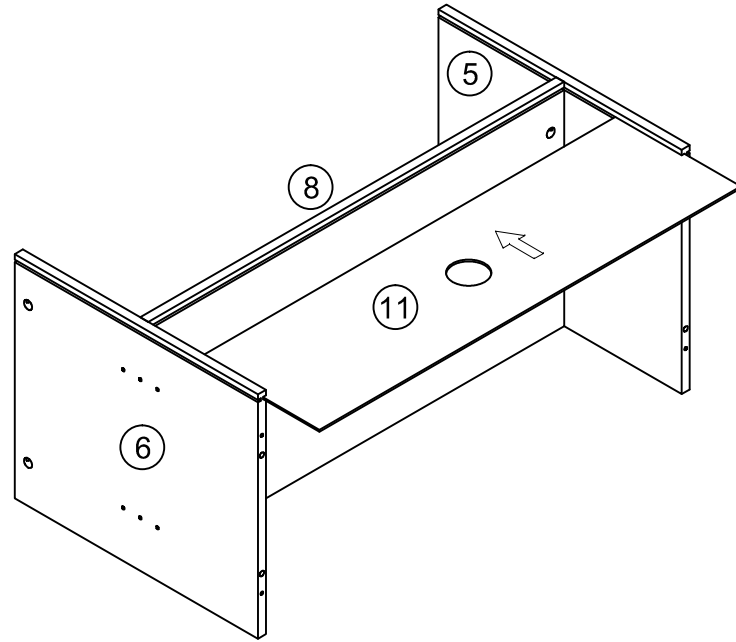


Bx2



5

--	--	--	--



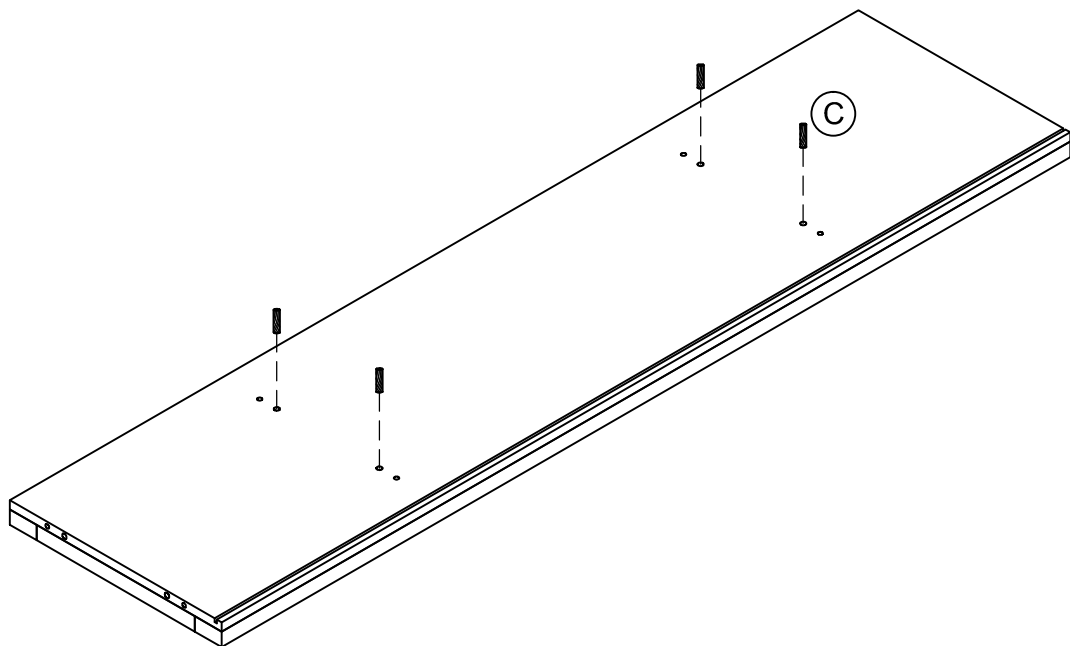
6

Ø8 x 30mm



Cx4

--	--	--	--



7

M6 x 48mm

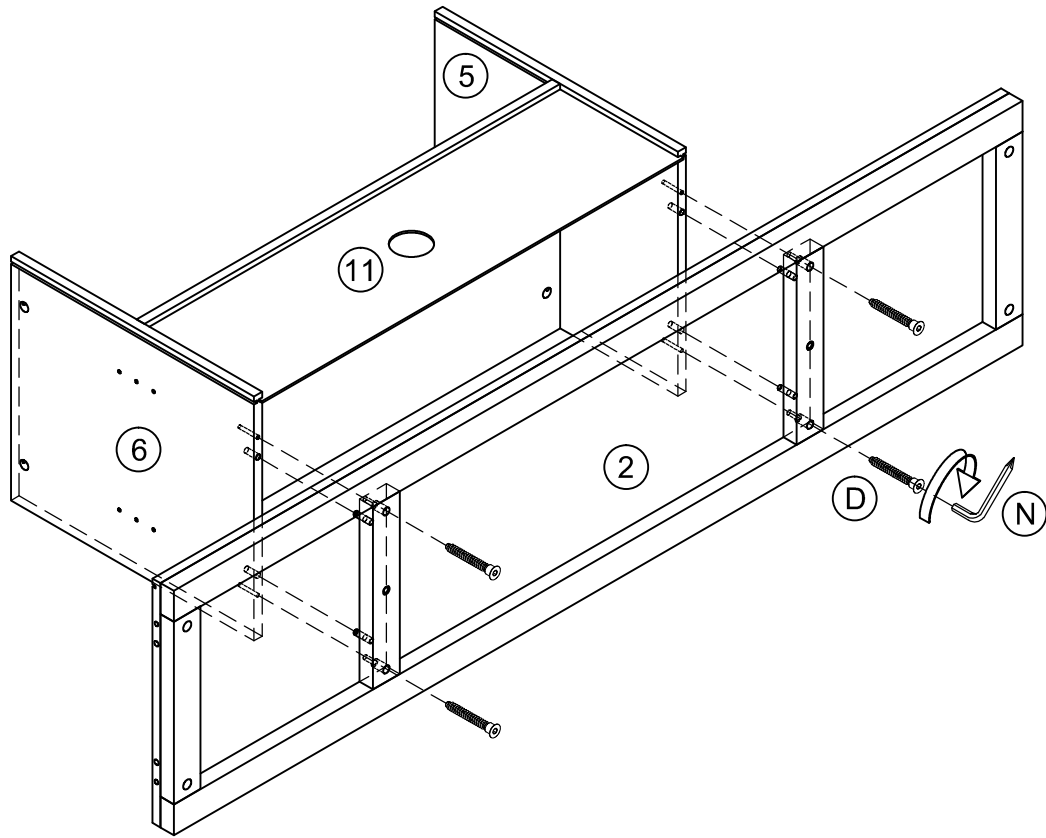


Dx4

M4

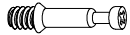


Nx1



8

M6 x 35mm

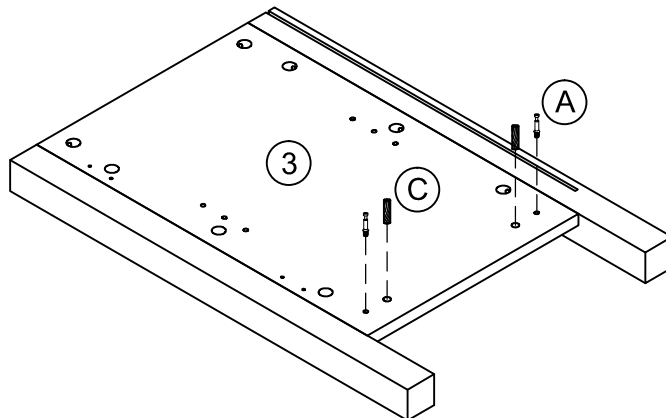


Ax2

ø8 x 30mm

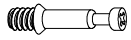


Cx2



9

M6 x 35mm

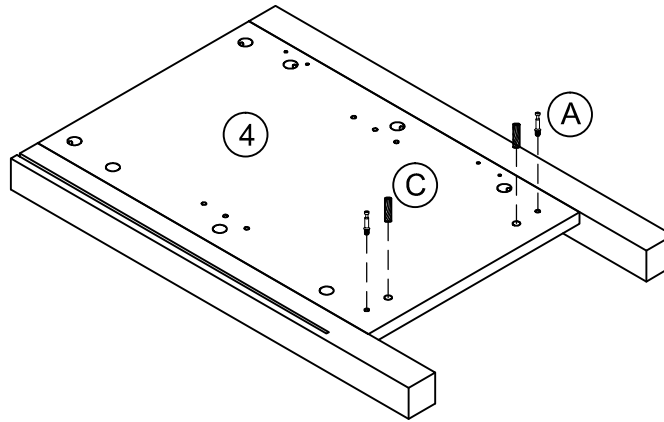


Ax2

φ8 x 30mm



Cx2

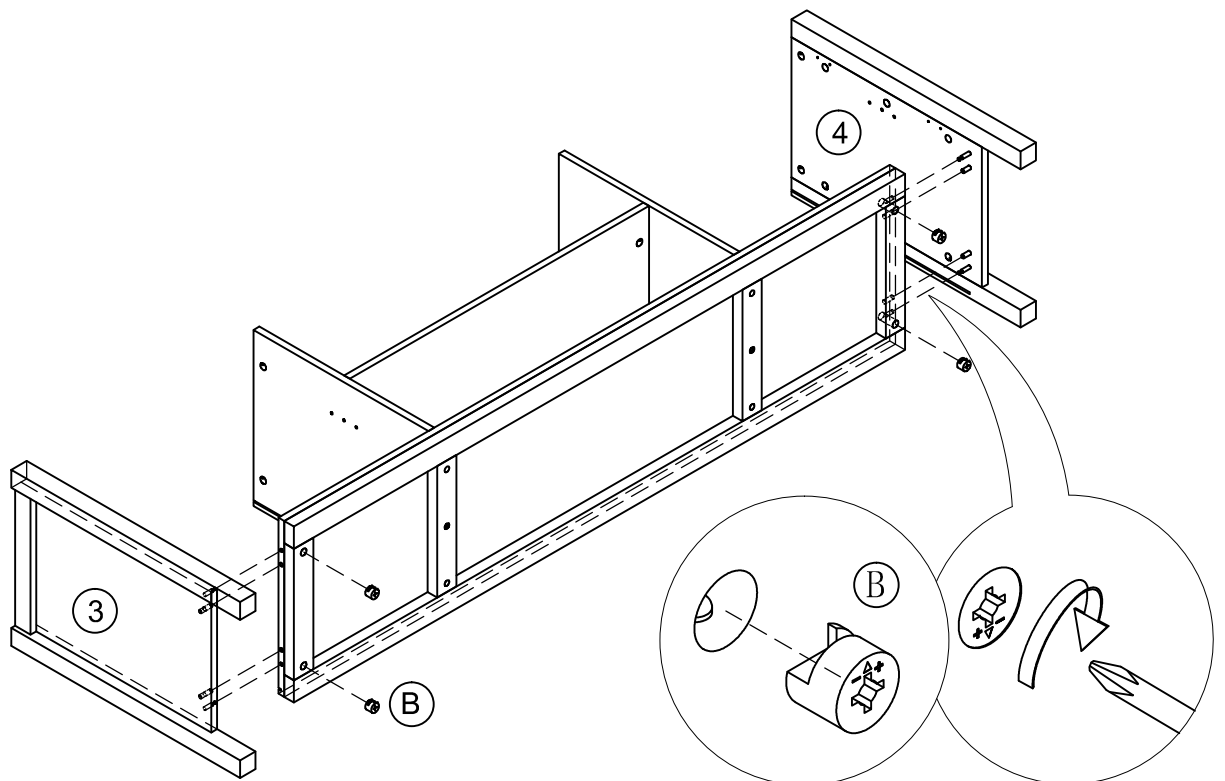


10

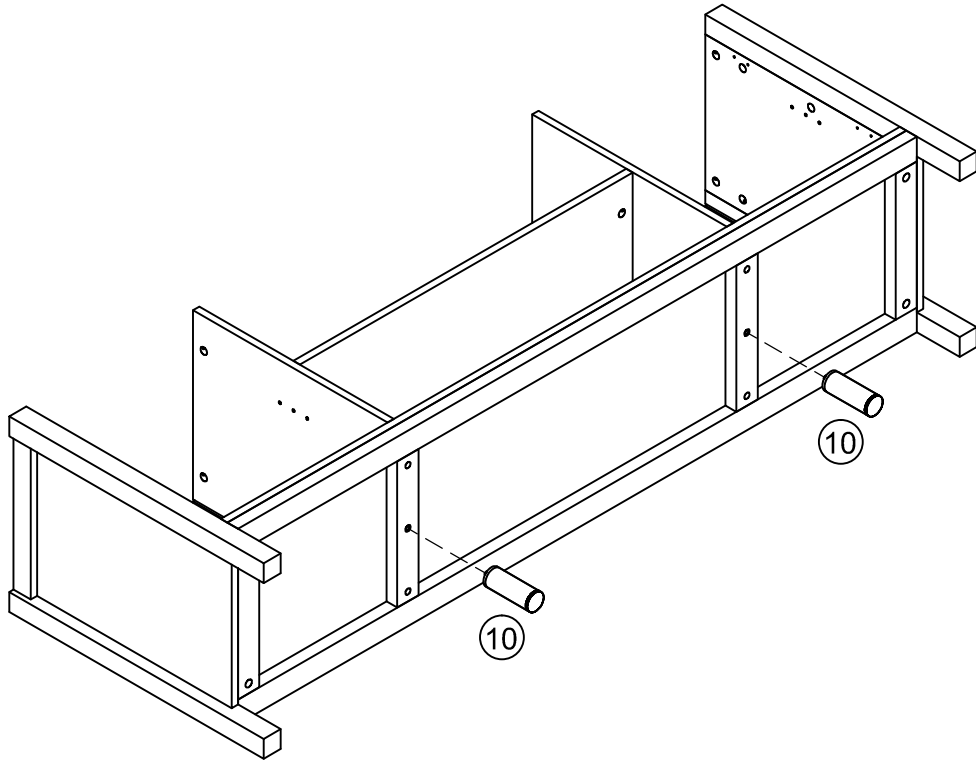
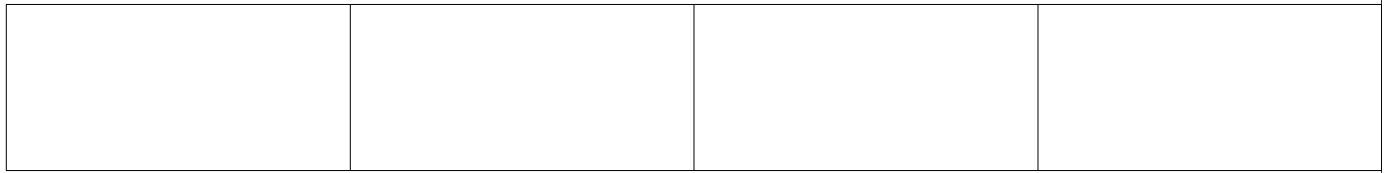
φ15 x 11mm



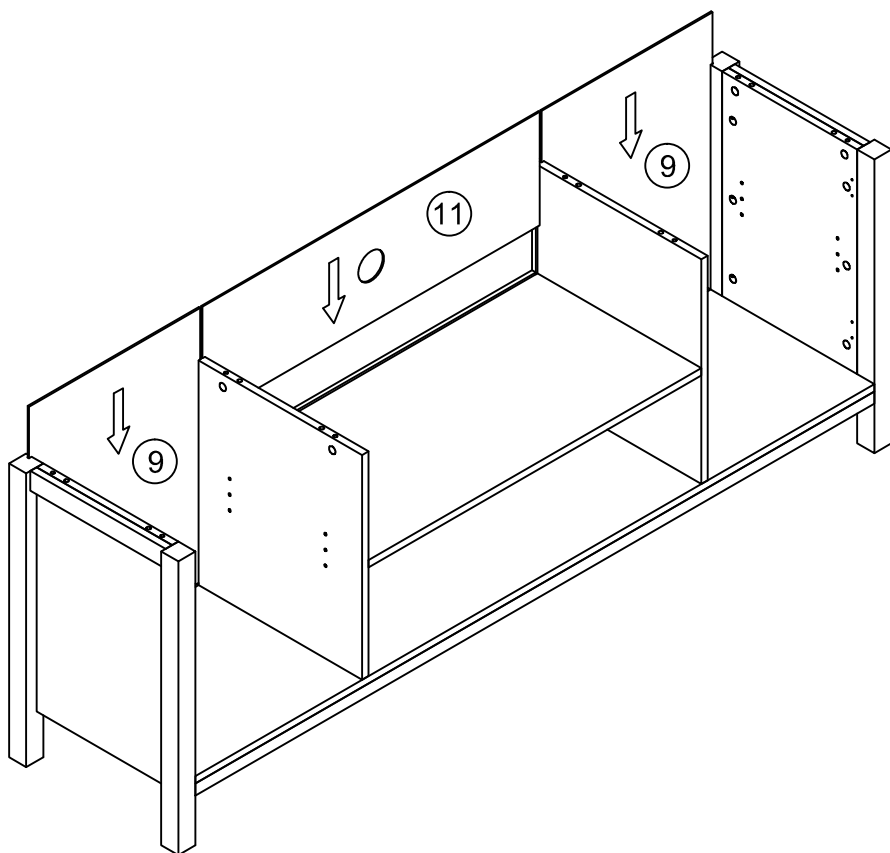
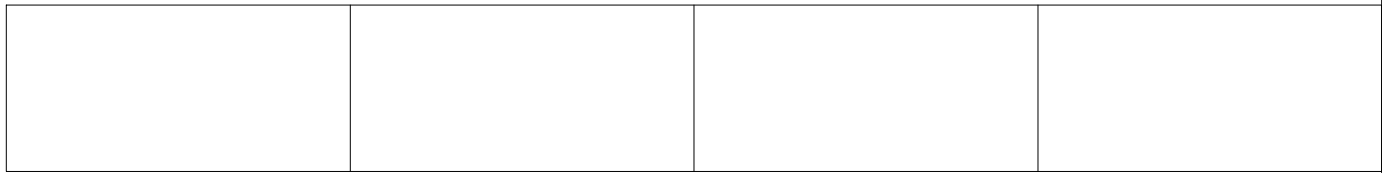
Bx4



11

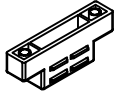


12



13

53*12*20mm

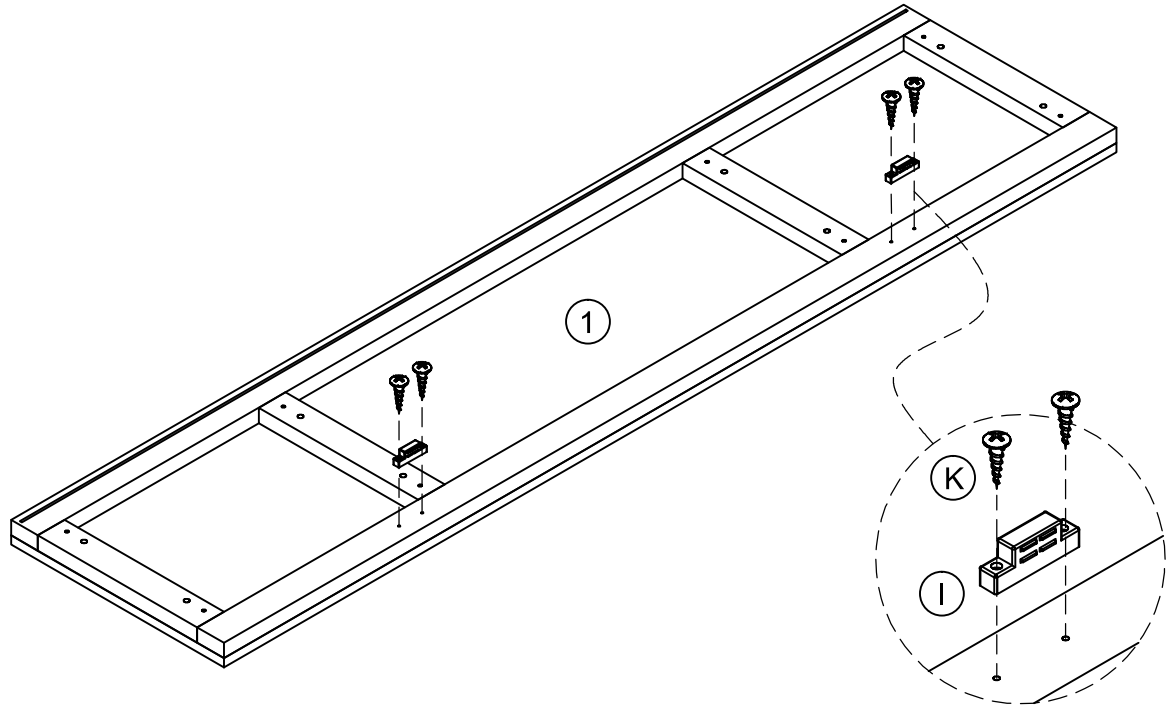


Ix2

M4 x 18mm

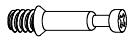


Kx4

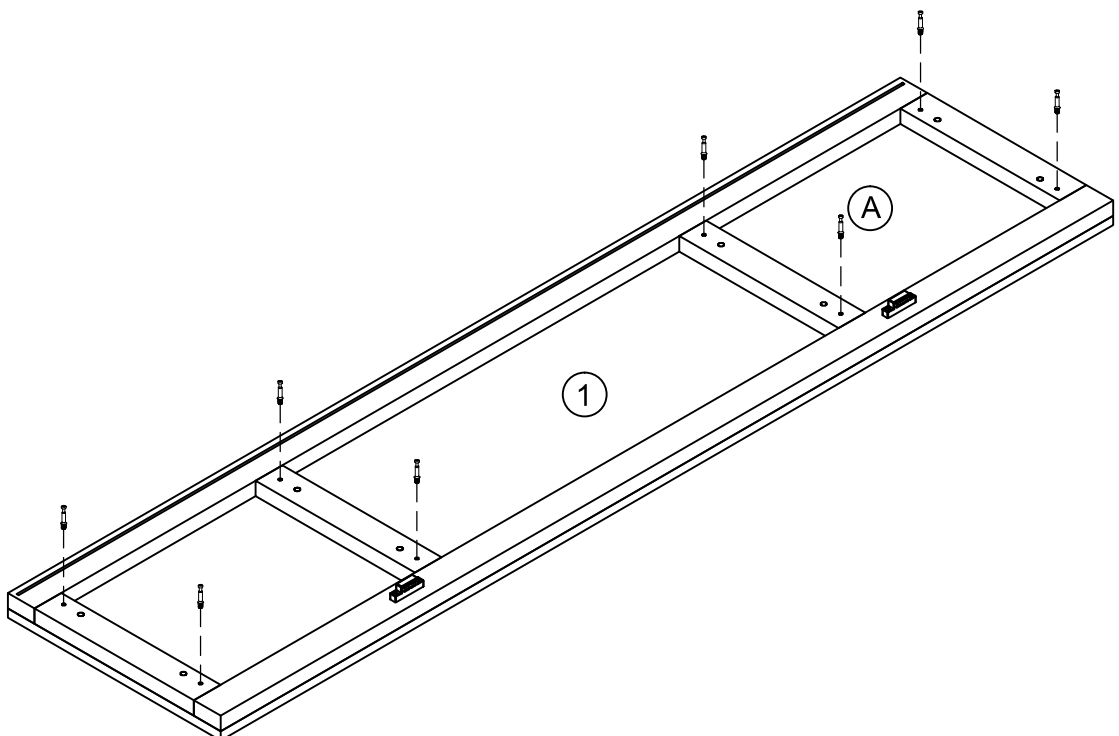


14



M6 x 35mm

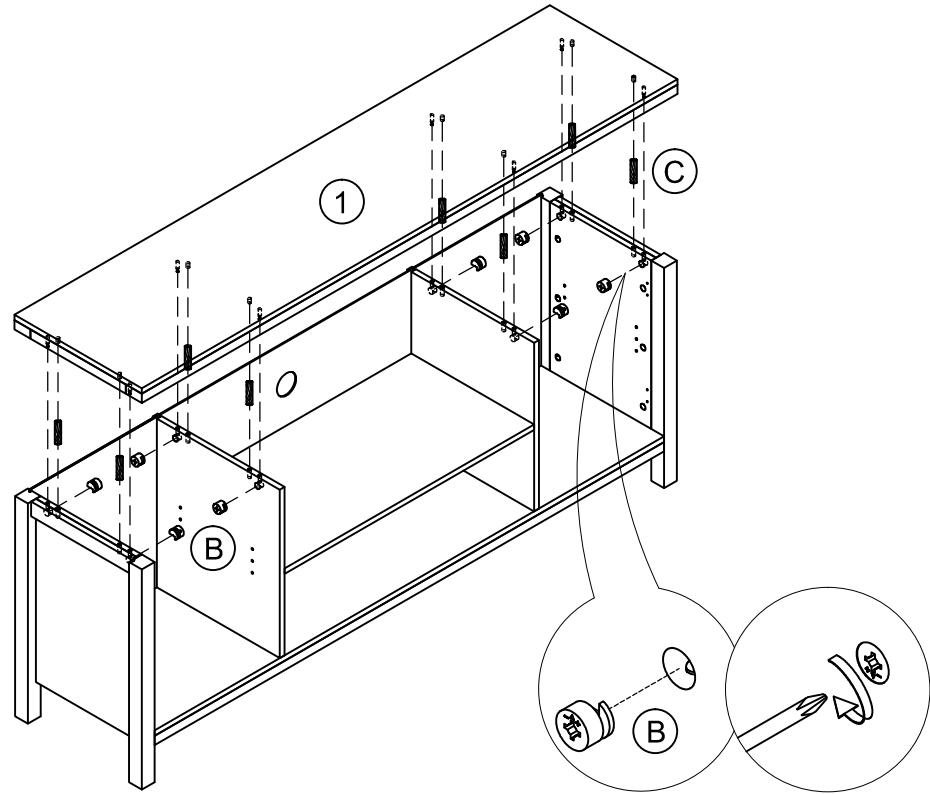


Ax8

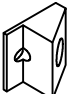



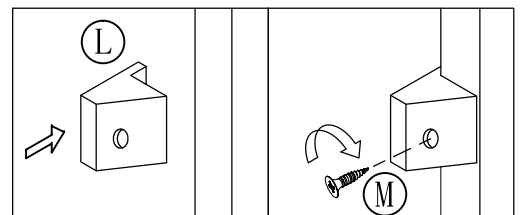
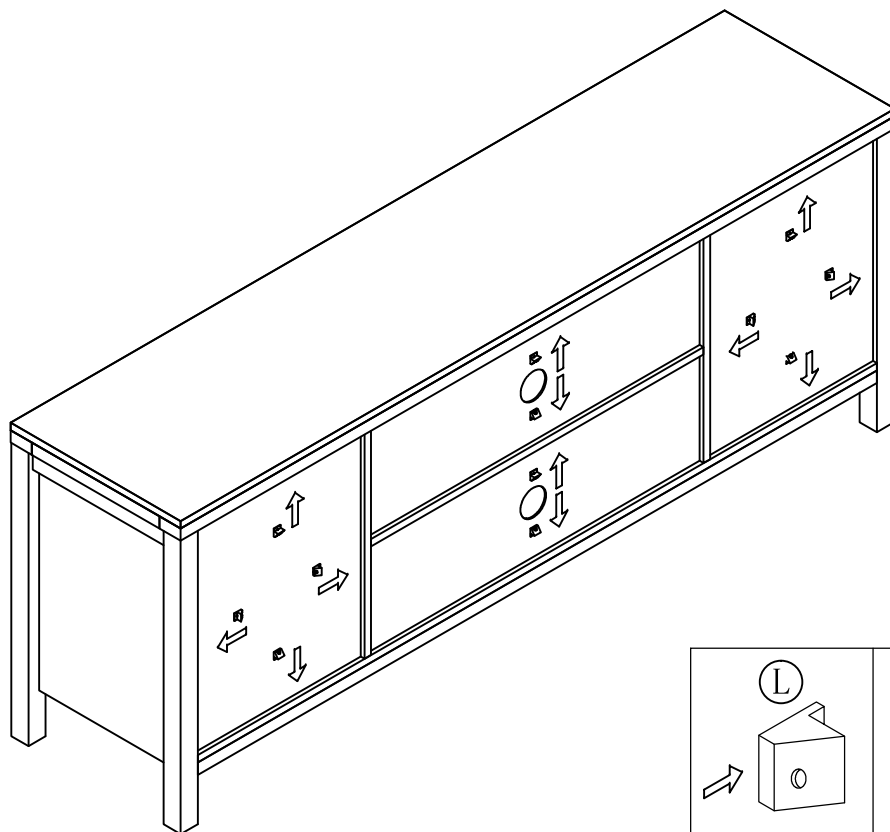
15

<p>φ15 x 11mm</p>  <p>Bx8</p>	<p>φ8 x 30mm</p>  <p>Cx8</p>		
--	---	--	--



16

<p>15*15*10mm</p>  <p>Lx12</p>	<p>M3 x 16mm</p>  <p>Mx12</p>		
---	--	--	--

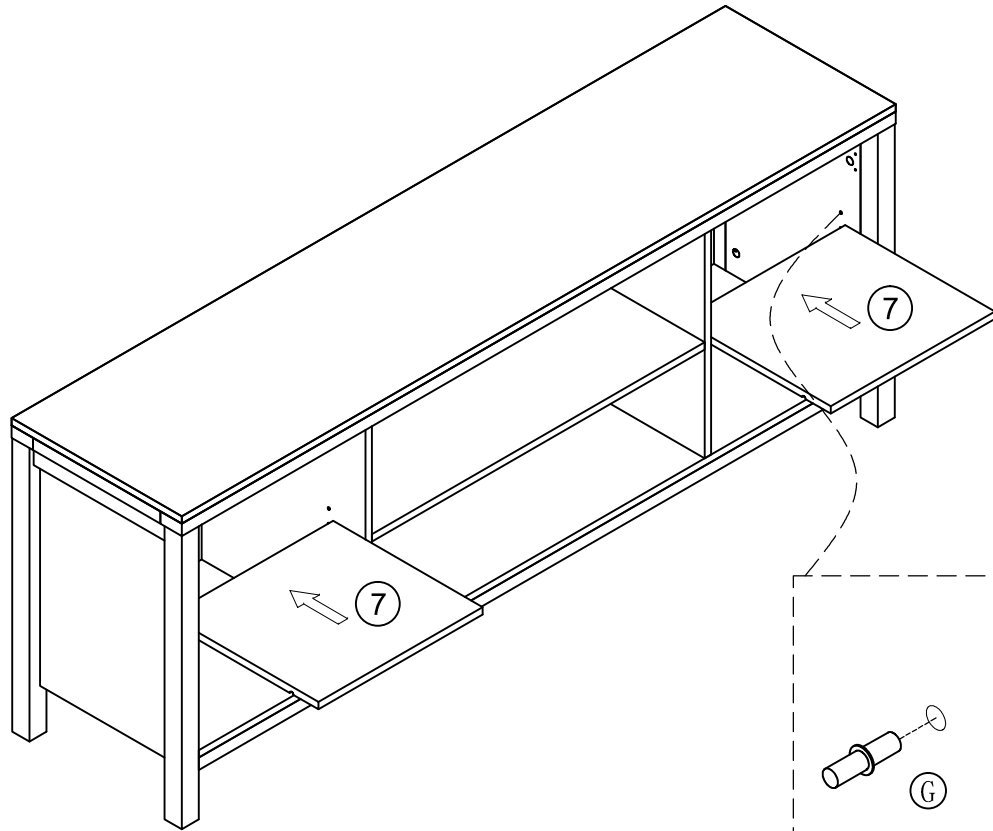


17

Ø5*19

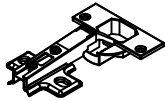


Gx8



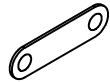
18

Ø26



Hx2

45*12*1.5mm

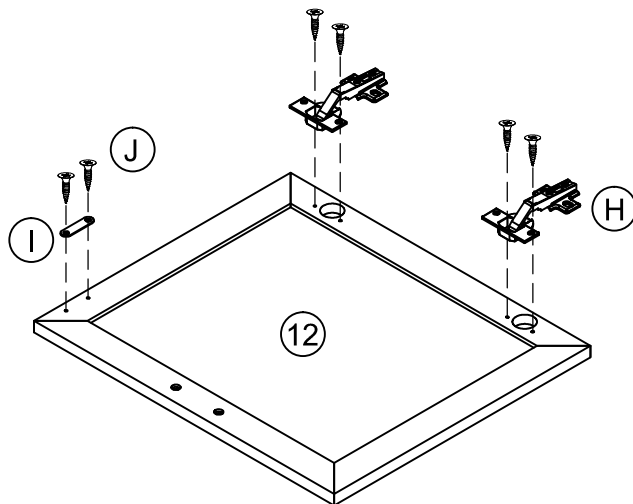


lx1

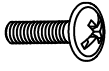

M3.5 x 14mm

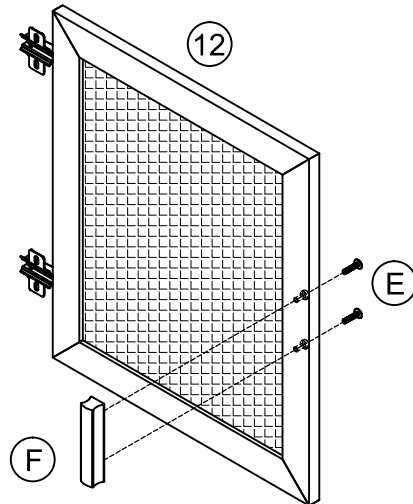


Jx6

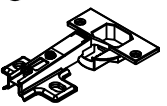
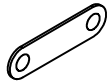



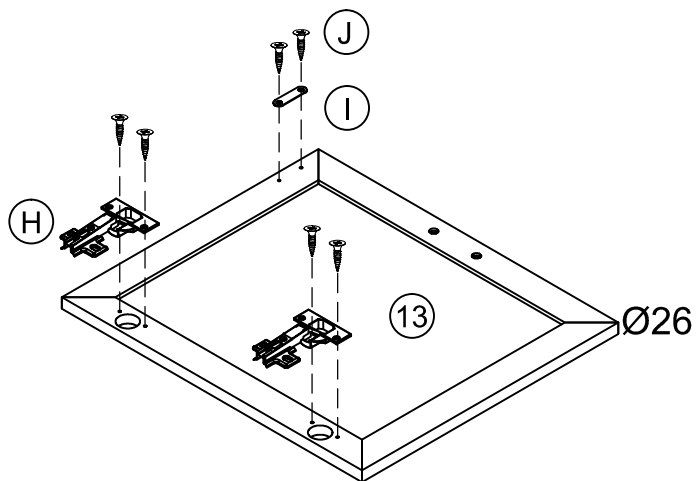
19

<p>M4 x 16mm</p>  <p>Ex2</p>	<p>99*19*20mm</p>  <p>Fx1</p>		
---	--	--	--



20

<p>Ø26</p>  <p>Hx2</p>	<p>45*12*1.5mm</p>  <p>Ix1</p>	<p>M3.5 x 14mm</p>  <p>Jx6</p>	
---	---	--	--



21

M4 x 16mm

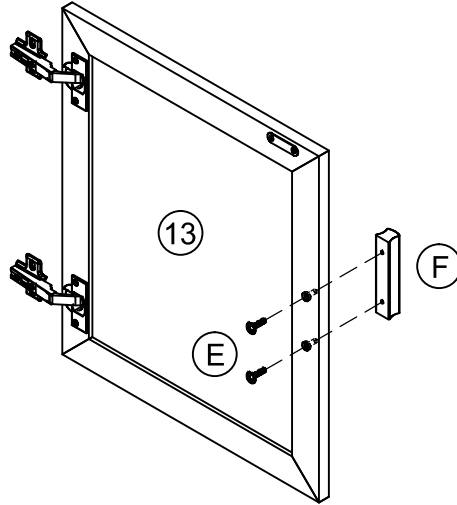


Ex2

99*19*20mm



Fx1



22

M3.5 x 14mm

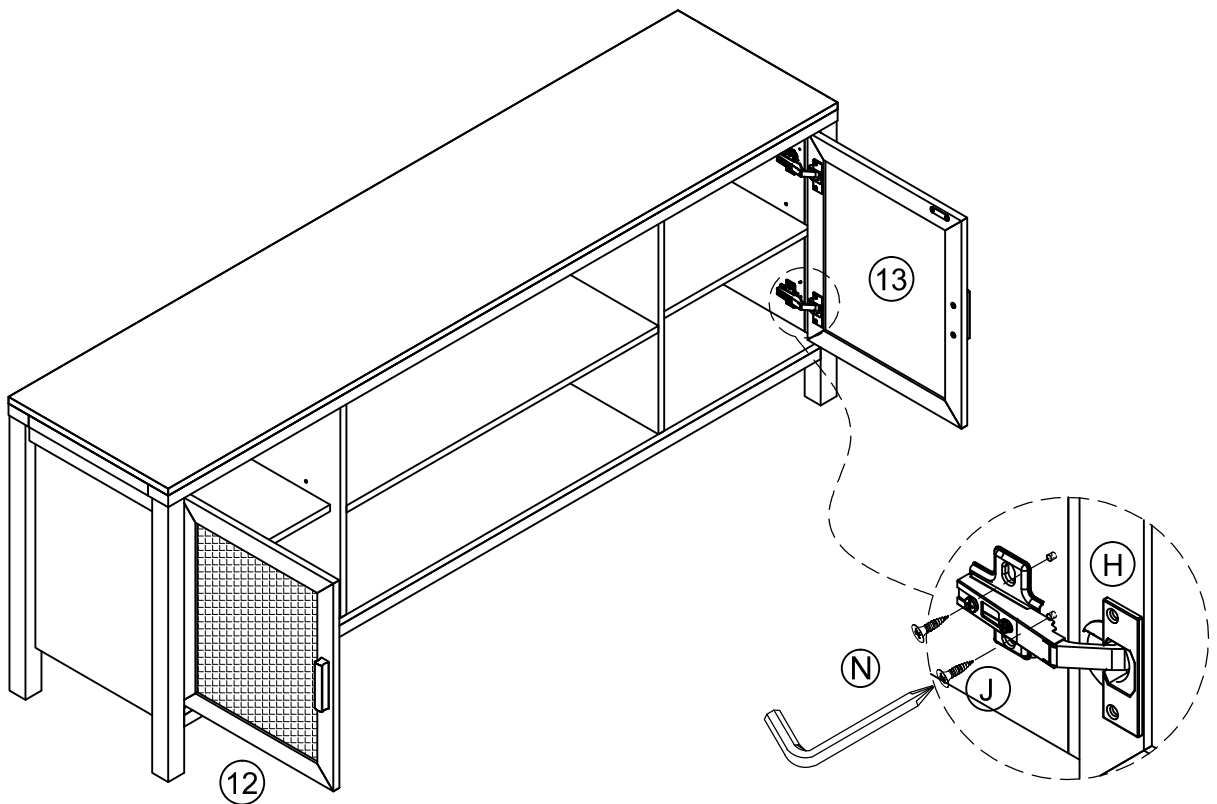


Jx8

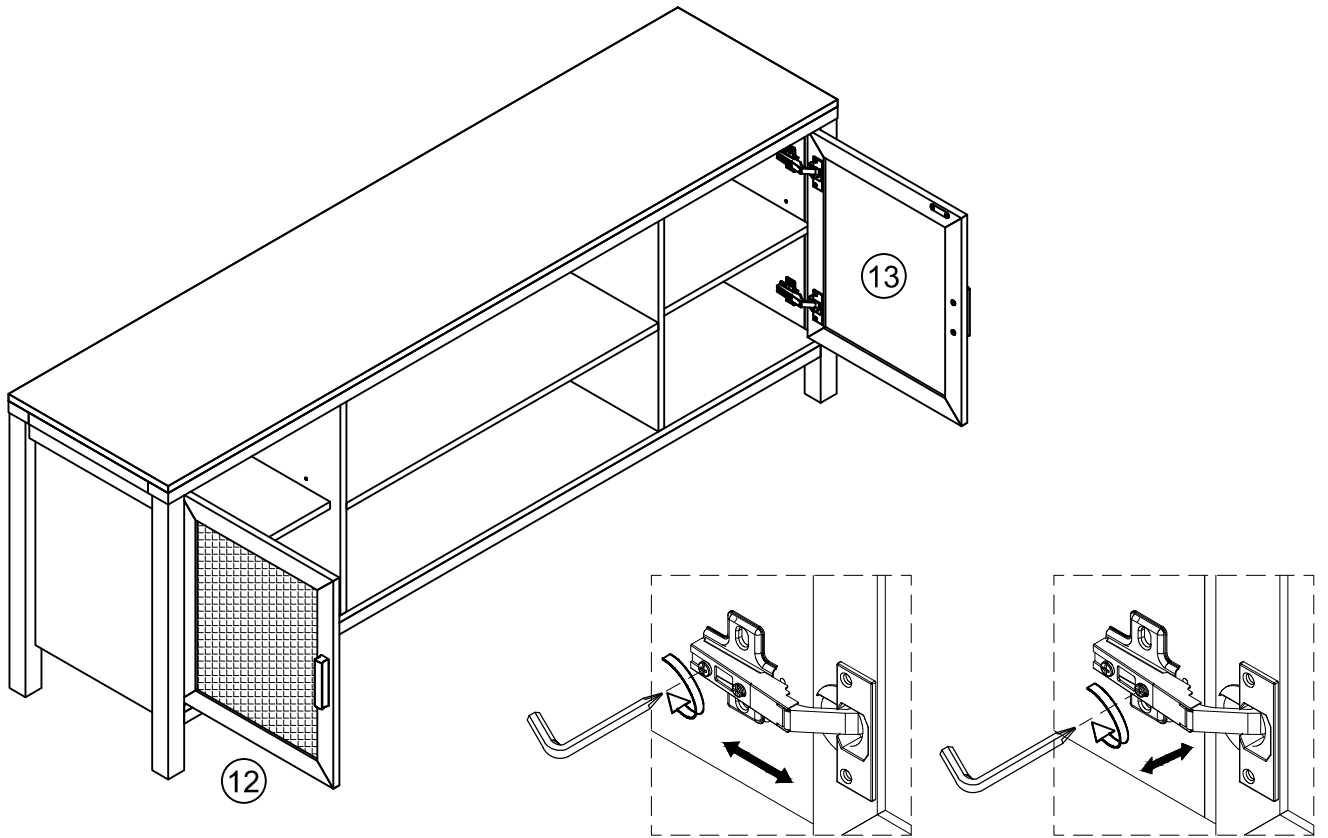
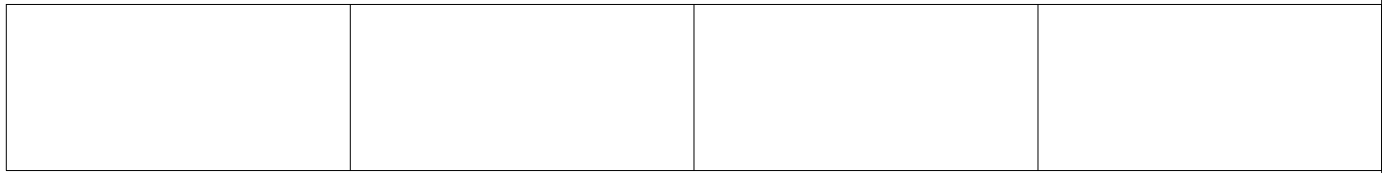
M4



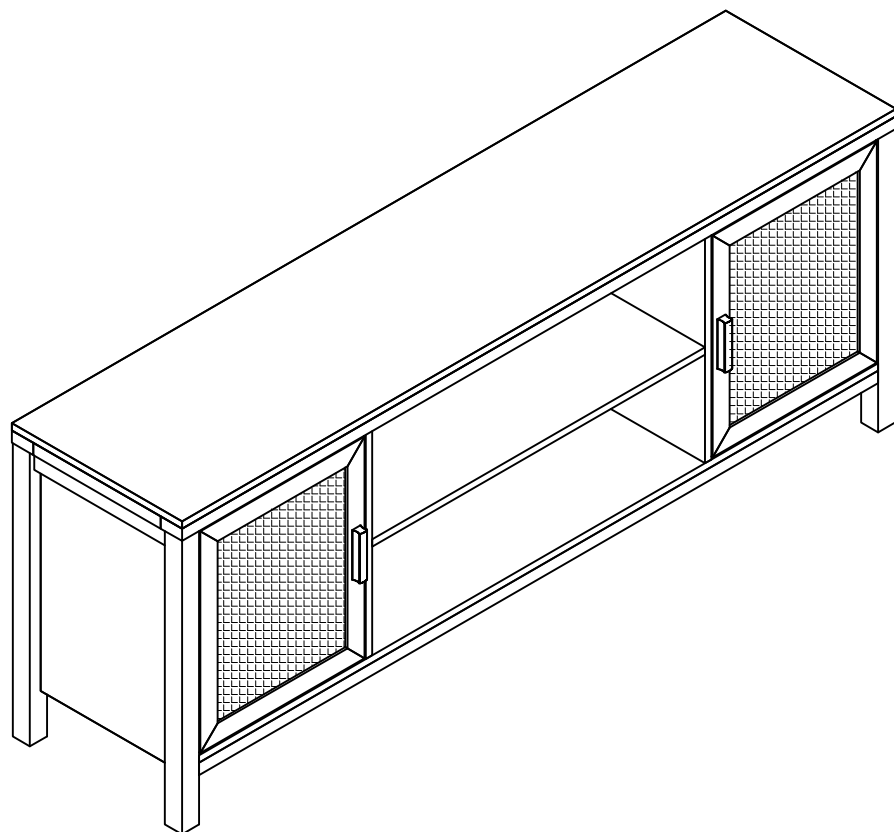
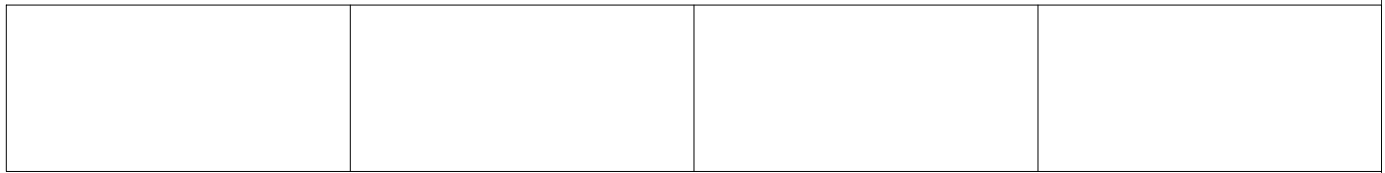
Nx1



23



24



IMPORTANT SAFETY INFORMATION

Please carefully read the instructions and caution warnings below before assembling the product. Following this guide will ensure that you install, use and maintain the product properly.

- Please keep this installation and user manual/instructions for future reference in case you need to assemble the product.
- Do not assemble if you notice serious damage such as cracks or bends.
- During installation, please use work gloves for hand safety.
- Please assemble the unit on carpeted floor or the flat cardboard box to avoid scratching the surface or your floor while assembling on the floor.
- To assemble, please use the complimentary installation tools (Allen Wrench). Pay more attention to the direction of components at each steps.
- It is recommended that two people work together to assemble the product.
- Please do not tighten the screws up too much, just to 80% before you finish to make the installation go on successfully.

RETURN POLICY

We believe you will absolutely love your new product. But for some reason you want to return your item, please contact us within 30 days after receiving and ensure that the product which you want to return is in a good condition in the original box with all original certificates of purchase, manuals and accessories attached.

HOW TO MAINTAIN YOUR PRODUCT:

- Check the screws of the product are not loose from regular use.
- Do not use sharp instruments, rubbing alcohol, corrosive chemicals, or abrasive cleaners to clean the product.
- Do not keep the product in a damp environment for a long period of time. The damp environment may cause the iron components to rust and the plates to bulge and crack.