

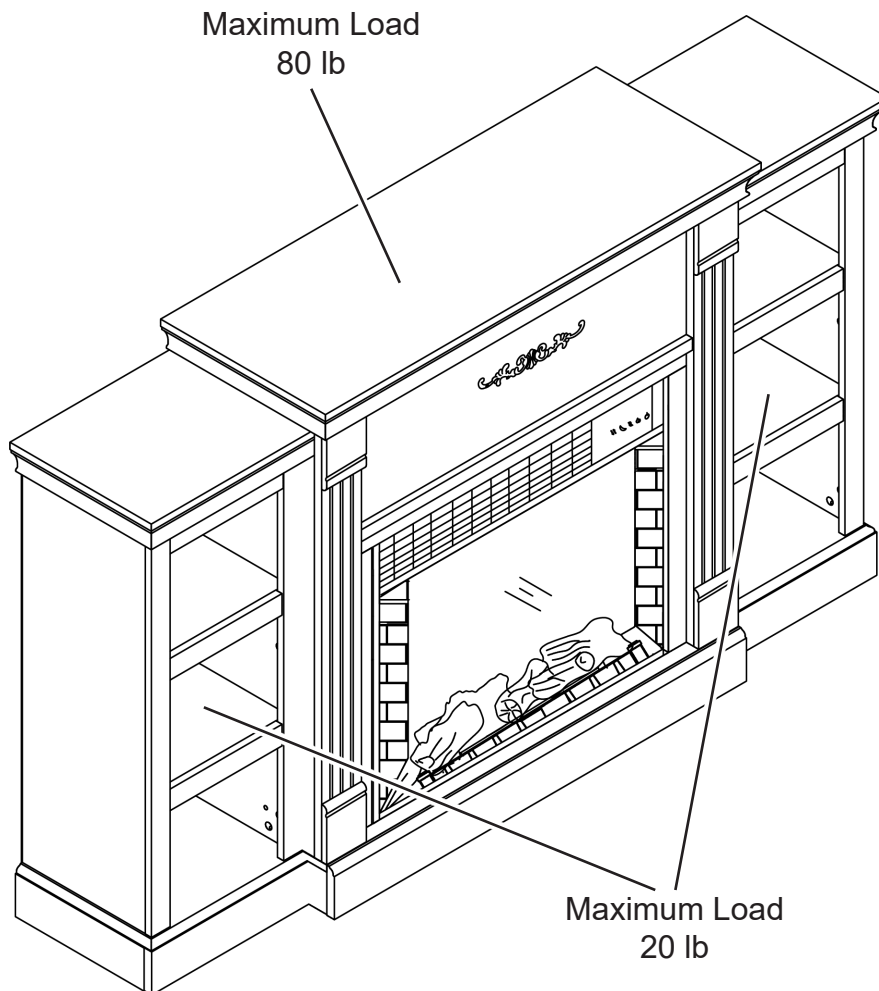


Estimated time for assembly:

**120 mins**



Weight limitations are as follows:





Assemble the furniture on an empty carton, carpet, or rug to prevent scratches or damage.

For safety, please keep pets and children away from the assembly area.

Ensure the product is fully assembled before use. If you are missing any hardware or products, do not use it until you have restored the missing parts.



This furniture requires 2 people for assembly.

Read this instruction manual prior to assembly to familiarize yourself with the various steps.

Lay out all components and hardware separately on a flat surface and make sure that no parts are missing or damaged before assembly. Do not destroy or discard any packaging until you are certain that you have all the necessary parts for assembly.

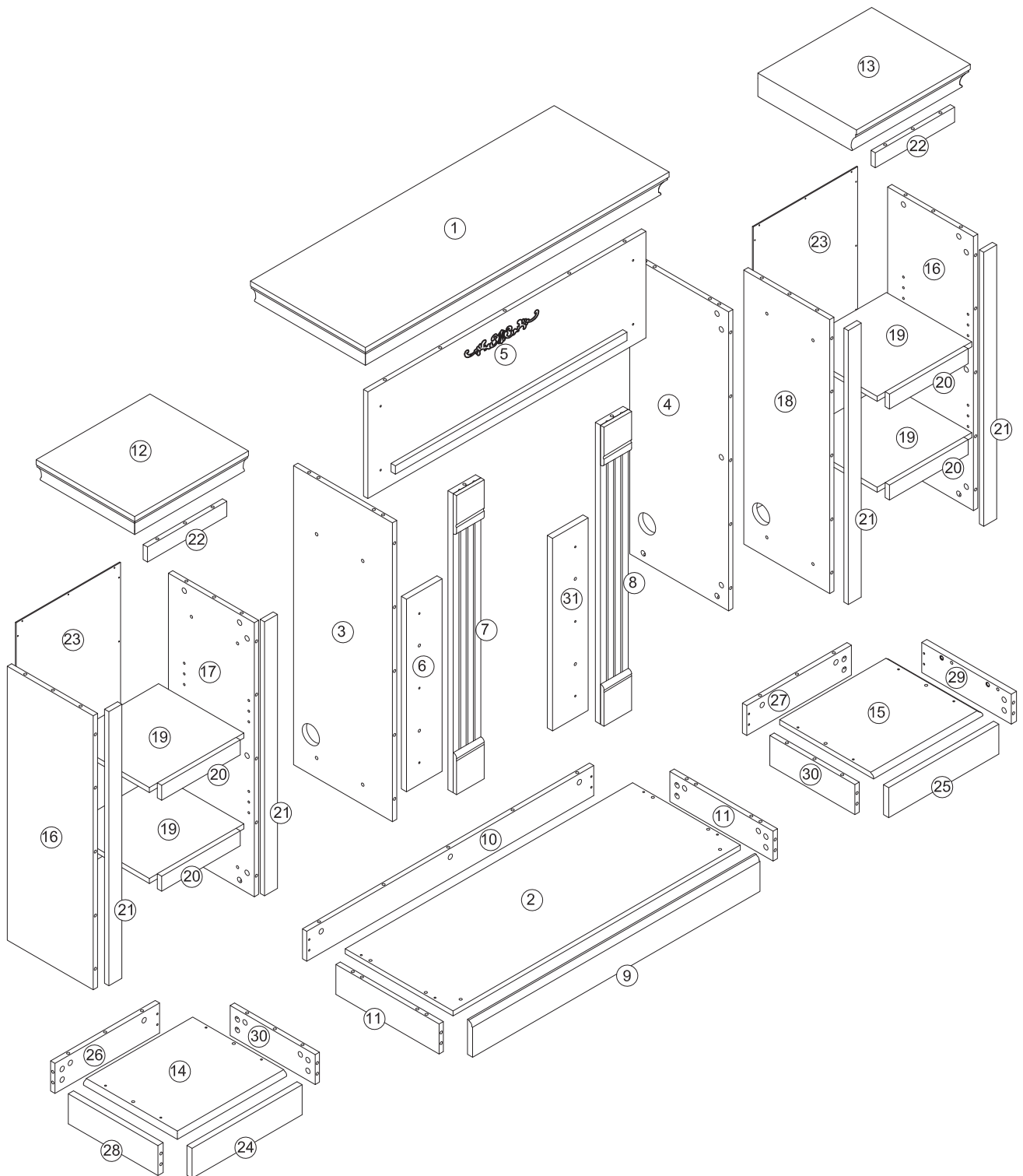
Hand tight all hardware and careful not to over tighten to avoid damaging the product.

## **CAUTION**

There are small components used in the construction of this product. Loose items should be kept away from pets and children to avoid a choking hazard.

Keep all plastic bags and packaging film away from pets and children to avoid suffocation.

# PACKAGE CONTENTS



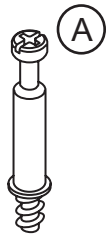
# PACKAGE CONTENTS

CODE	DESCRIPTION	QTY
1	Center Top Panel	1
2	Center Bottom Panel	1
3	Fire Mantel Left Panel	1
4	Fire Mantel Right Panel	1
5	Fire Mantel Horizontal Panel	1
6	Fire Mantel Left Vertical Panel	1
7	Fire Mantel Left Support	1
8	Fire Mantel Right Support	1
9	Fire Mantel Front Base Panel	1
10	Fire Mantel Back Base Panel	1
11	Fire Mantel Side Base Panel	2
12	Left Shelf Top Panel	1
13	Right Shelf Top Panel	1
14	Left Shelf Bottom Panel	1
15	Right Shelf Bottom Panel	1

# PACKAGE CONTENTS

CODE	DESCRIPTION	QTY
16	Shelf outer Side Panel	2
17	Left Shelf Inner Side Panel	1
18	Right Shelf Inner Side Panel	1
19	Storage Shelf Panel	4
20	Storage Shelf Decoration Strip	4
21	Shelf Vertical Decoration Strip	4
22	Shelf Top Decoration Strip	2
23	Side Back Panel	2
24	Left Shelf Front Base Panel	1
25	Right Shelf Front Base Panel	1
26	Left Shelf Back Base Panel	1
27	Right Shelf Back Base Panel	1
28	Left Shelf Outer Base Panel	1
29	Right Shelf Outer Base Panel	1
30	Shelf Inner Base Panel	2
31	Fire Mantel Right Vertical Panel	1

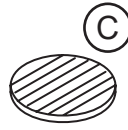
# PACKAGE CONTENTS



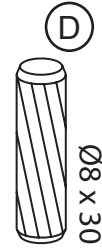
96x + 4x



96x + 4x



57x + 4x



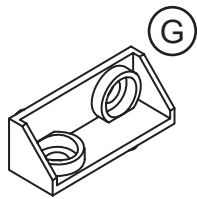
50x + 4x



4x



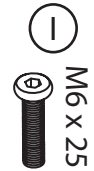
1x



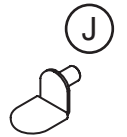
11x



22x + 2x



8x



16x + 1x



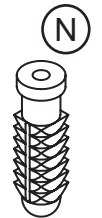
36x + 3x



10x + 1x



6x



2x



2x



2x

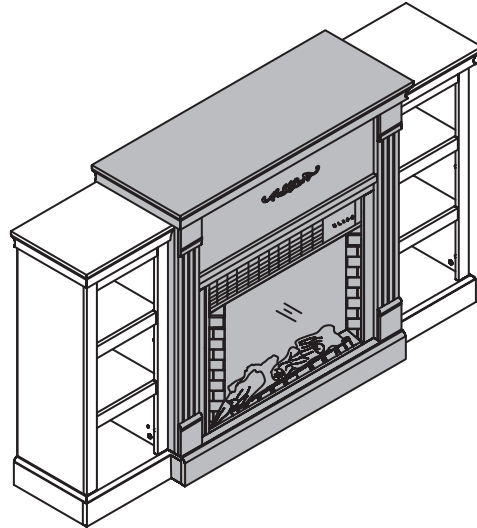
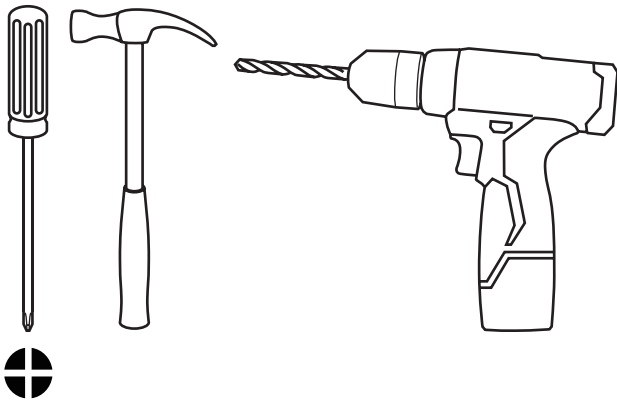


2x



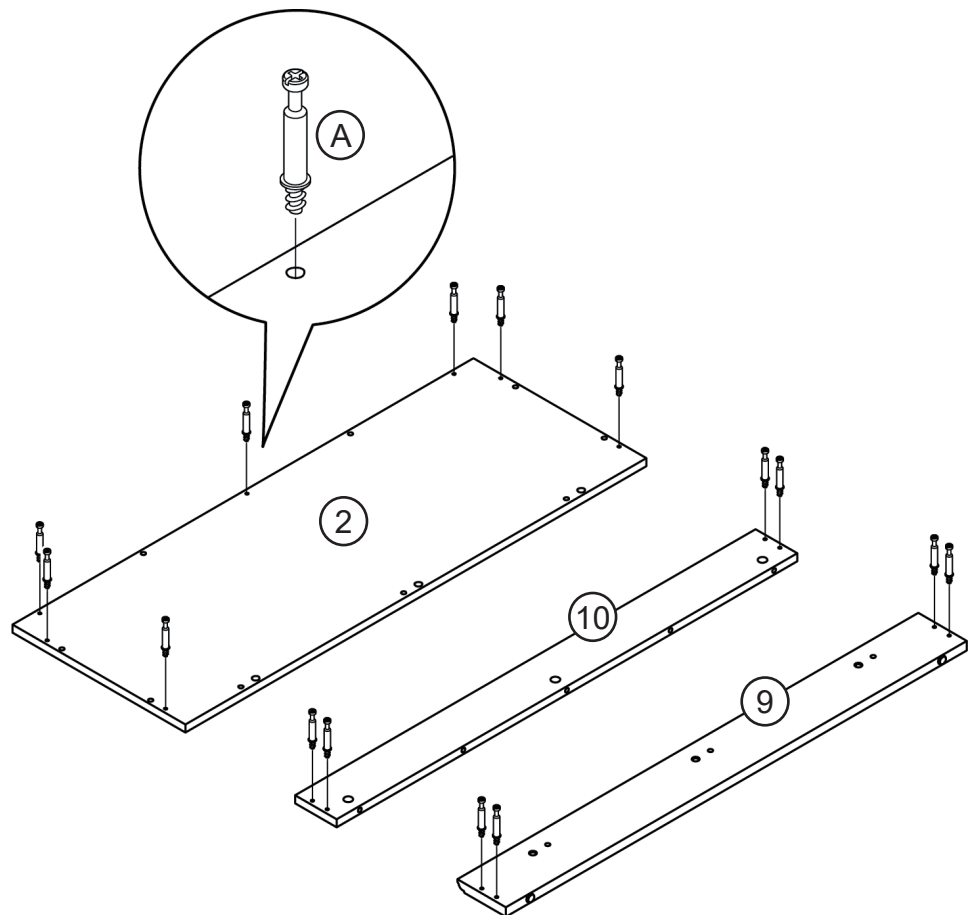
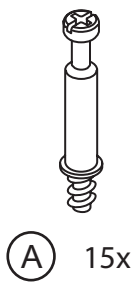
Install all hardware perpendicular to the opening.

Required tools for assembly (Not included)



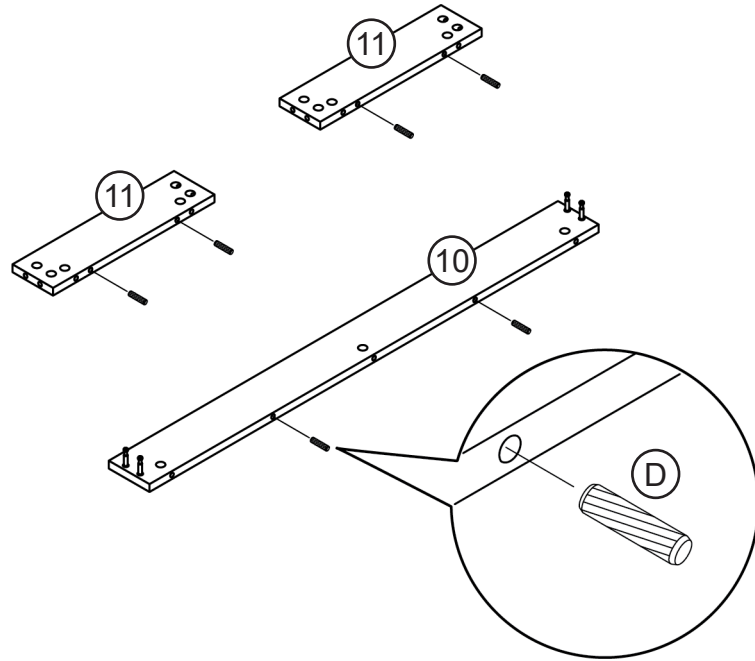
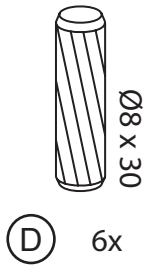
1

Attach cam bolts to the center bottom panel (2), fire mantel front base panel (9) and the fire mantel back base panel (10).



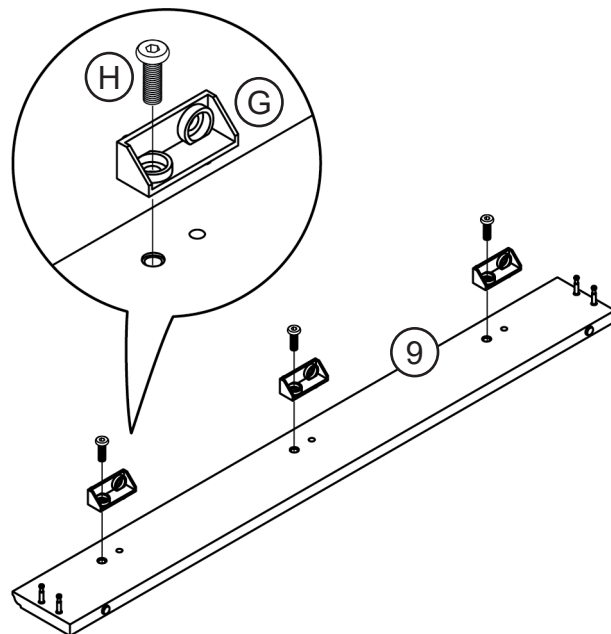
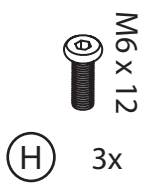
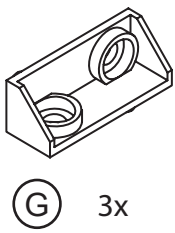
# 2

Insert wood dowels to the fire mantel back base panel (10) and the fire mantel side base panels (11).



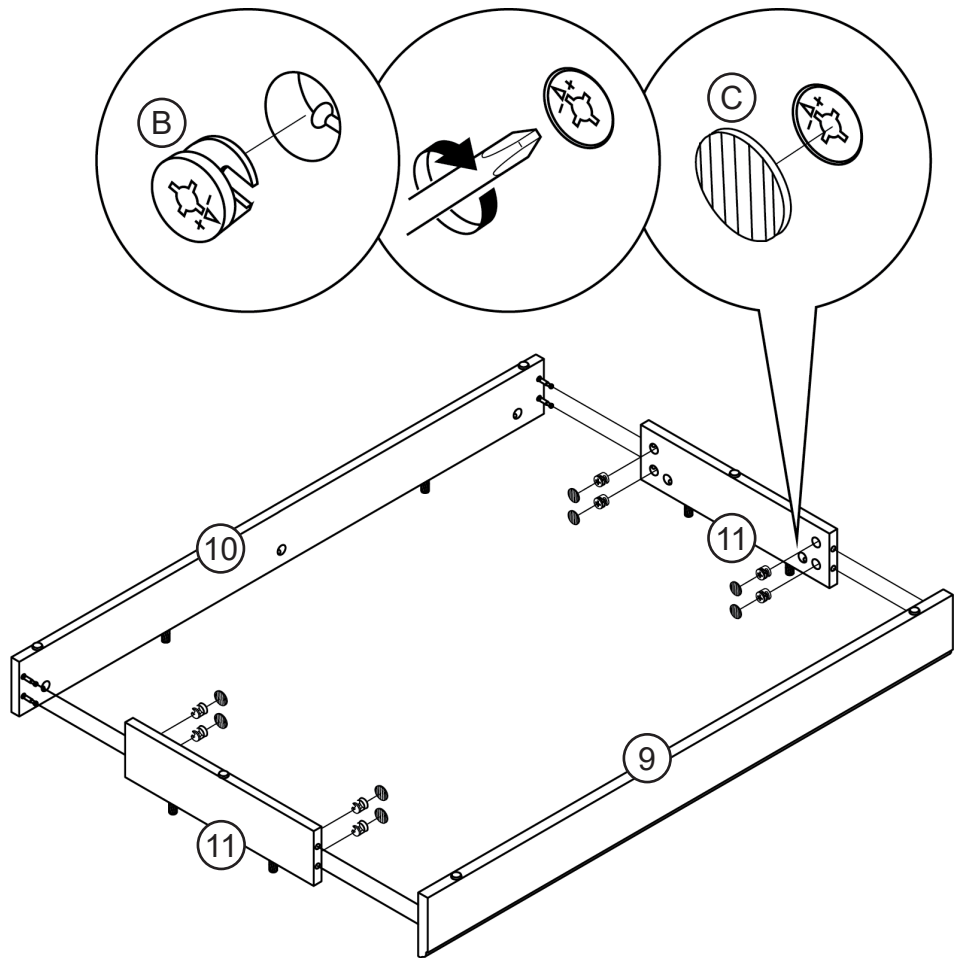
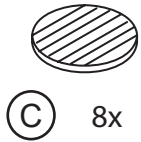
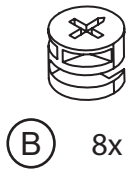
# 3

Attach corner connectors to the fire mantel front base panel (9).



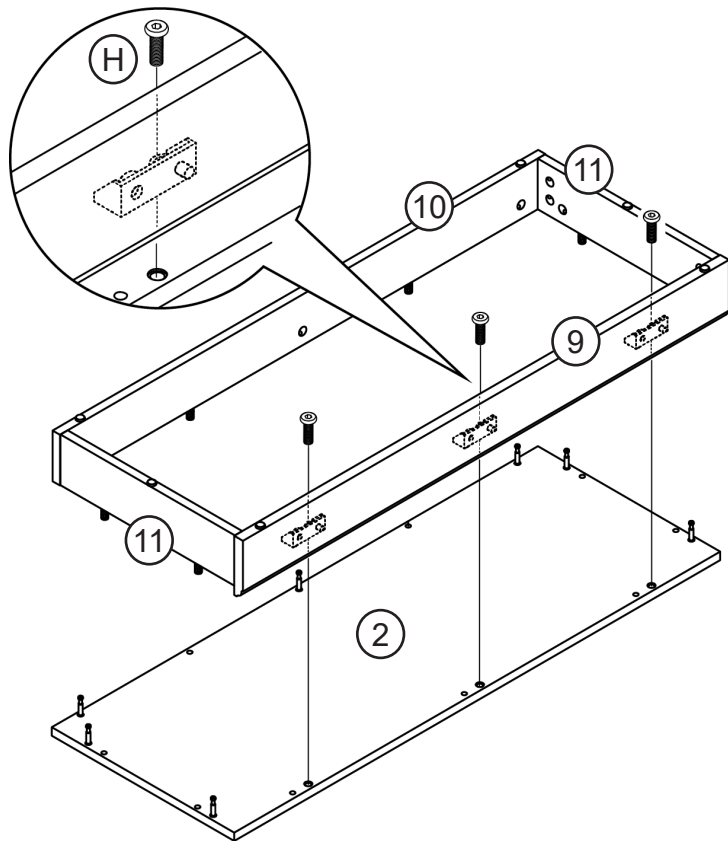
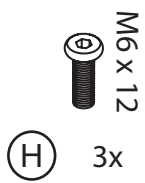
# 4

Assemble the fire mantel side base panels (11) between the fire mantel front and back base panels (9, 11).



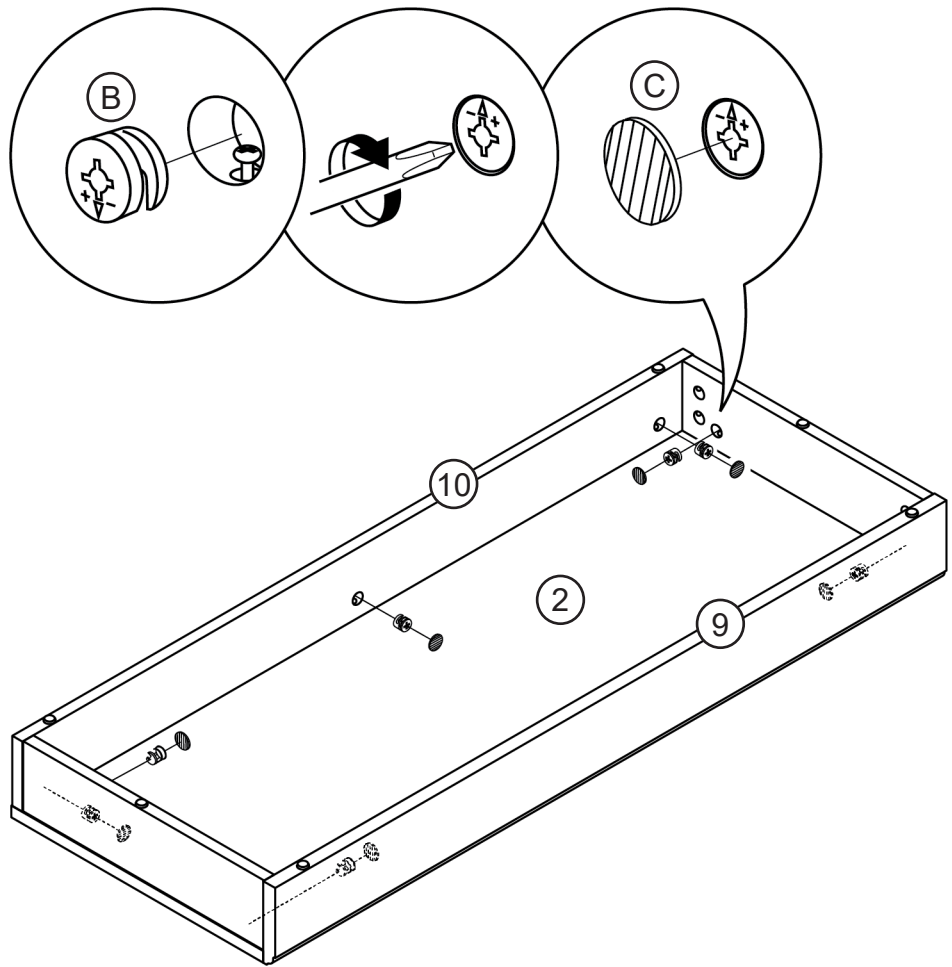
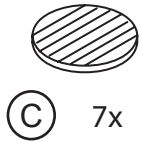
# 5

Assemble the fire mantel base to the underside of the center bottom panel (2).



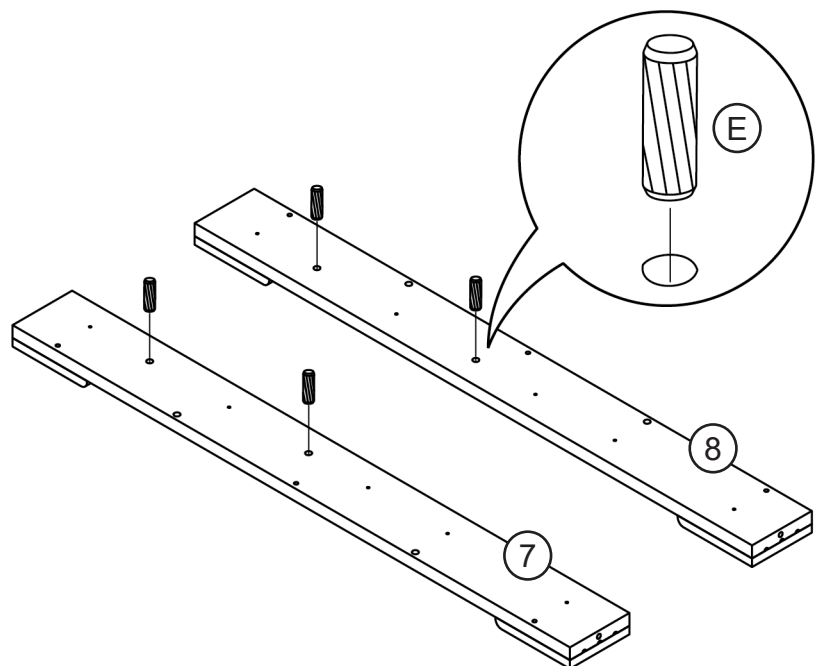
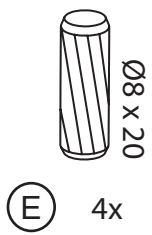
# 6

Secure the fire mantel base in place.



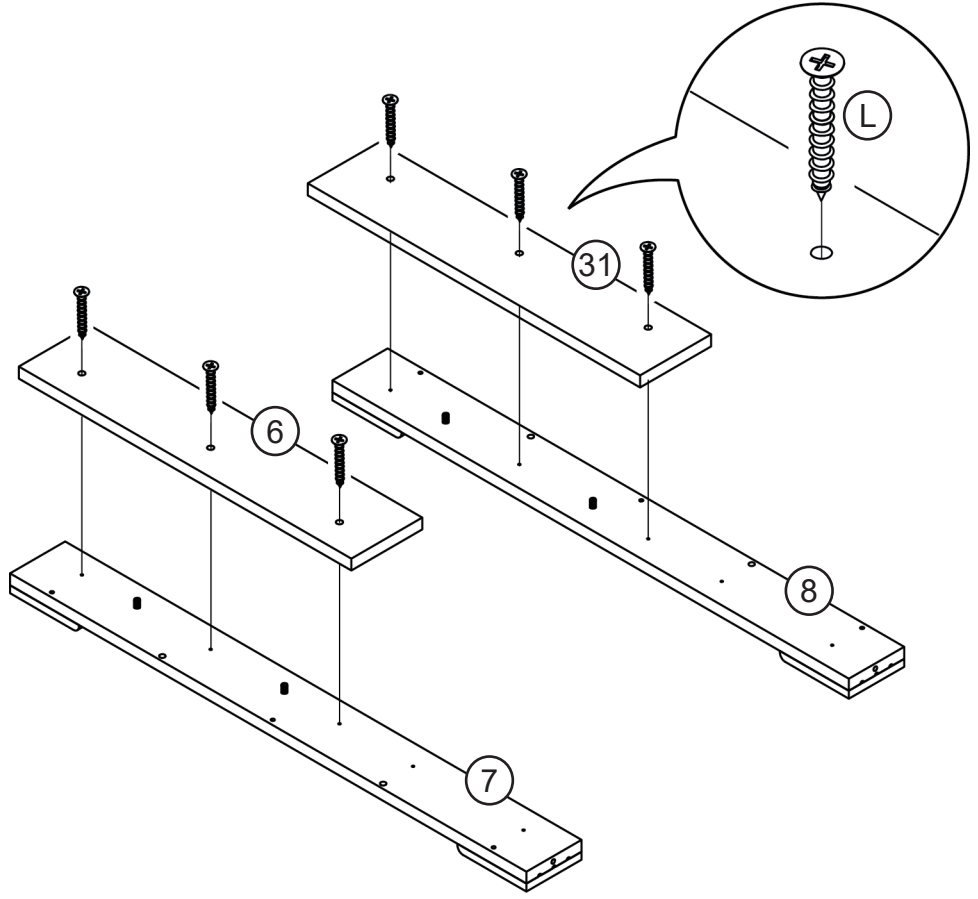
# 7

Insert wood dowels to the back side of the fire mantel supports (7, 8).



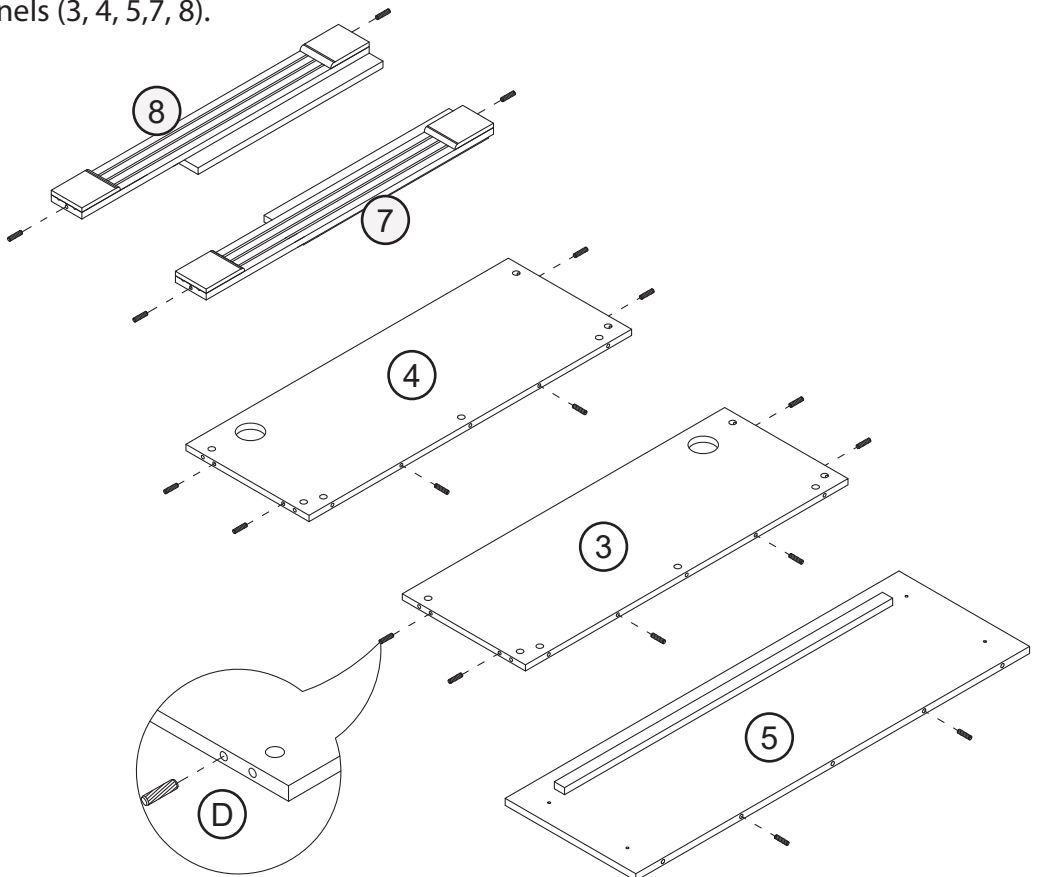
# 8

Assemble the fire mantel left vertical panel (6) to the left support (7). Then assemble the fire mantel right vertical panel (31) to the right support (8).



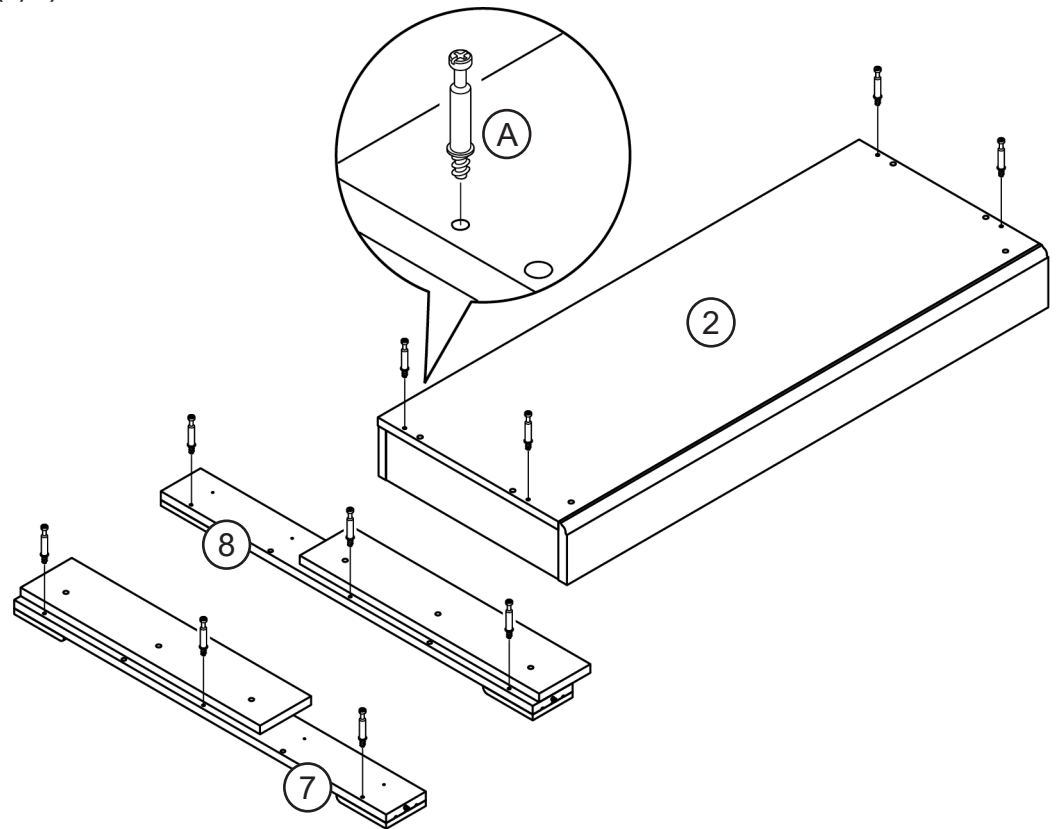
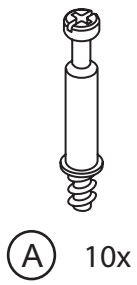
# 9

Insert wood dowels to the fire mantel left panel, right panels, and the support panels (3, 4, 5, 7, 8).



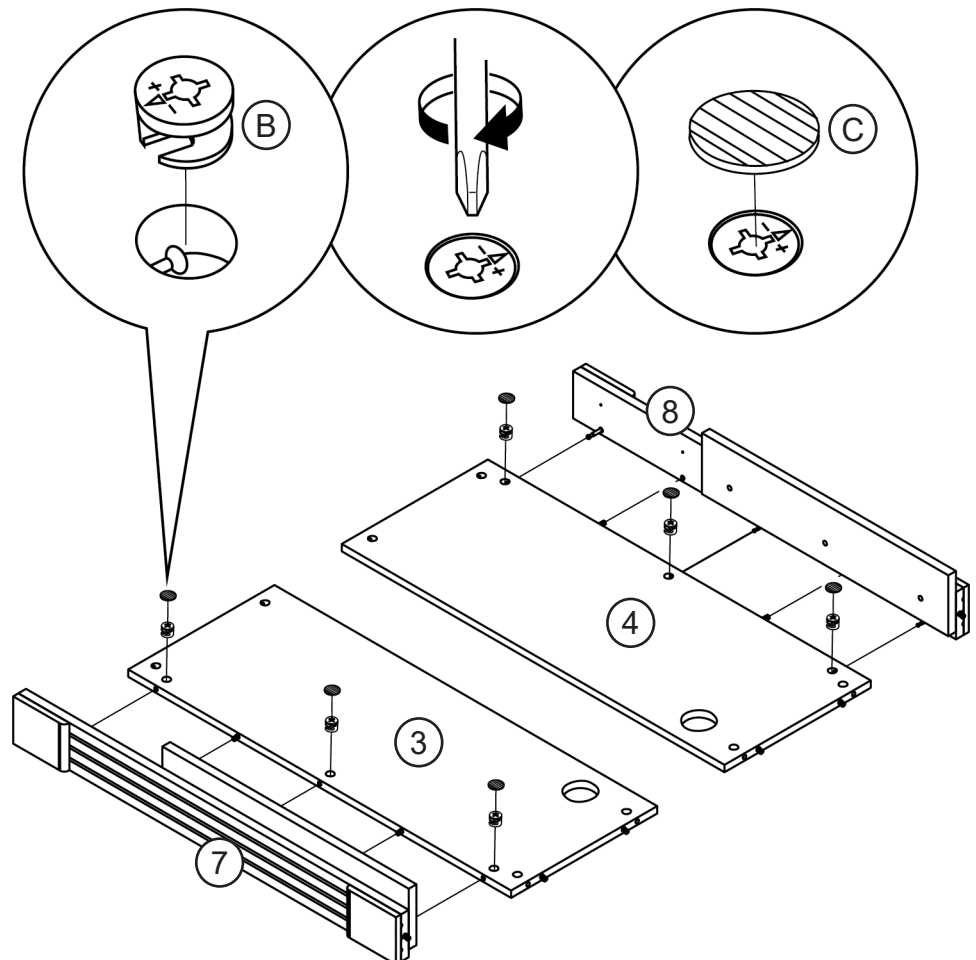
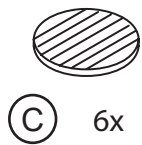
# 10

Attach cam bolts to the center bottom panel (2) and the fire mantel supports (7, 8).



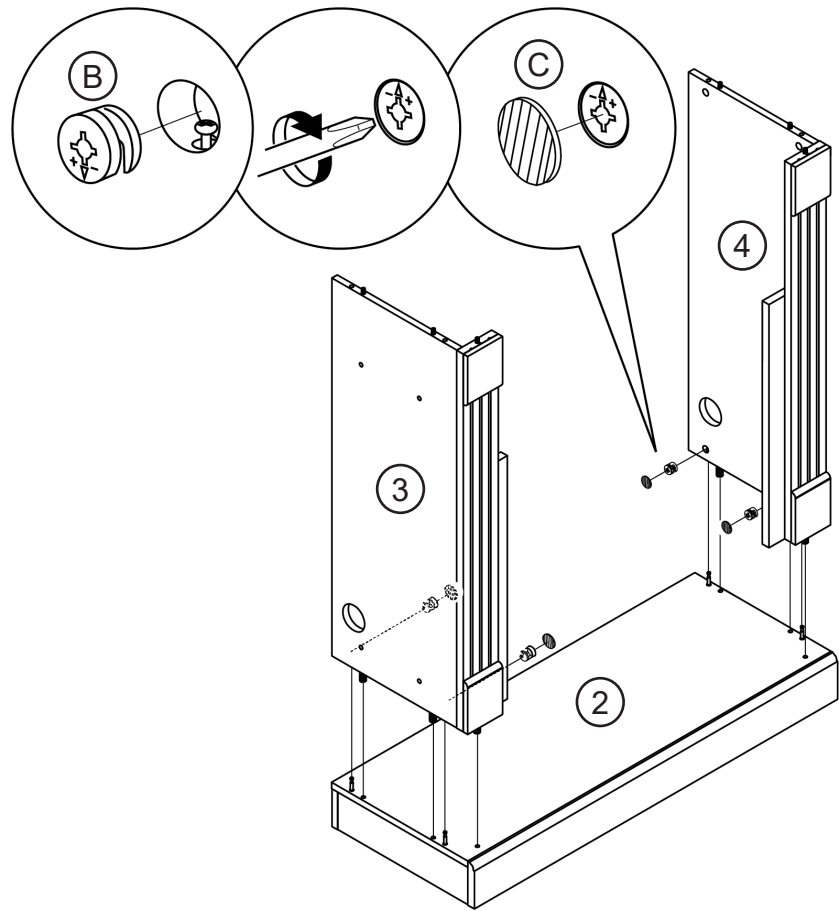
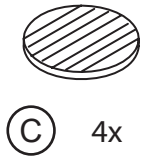
# 11

Assemble the fire mantel left support (7) to the fire mantel left panel (3). Then assemble the fire mantel right support (8) to the fire mantel right panel (4).



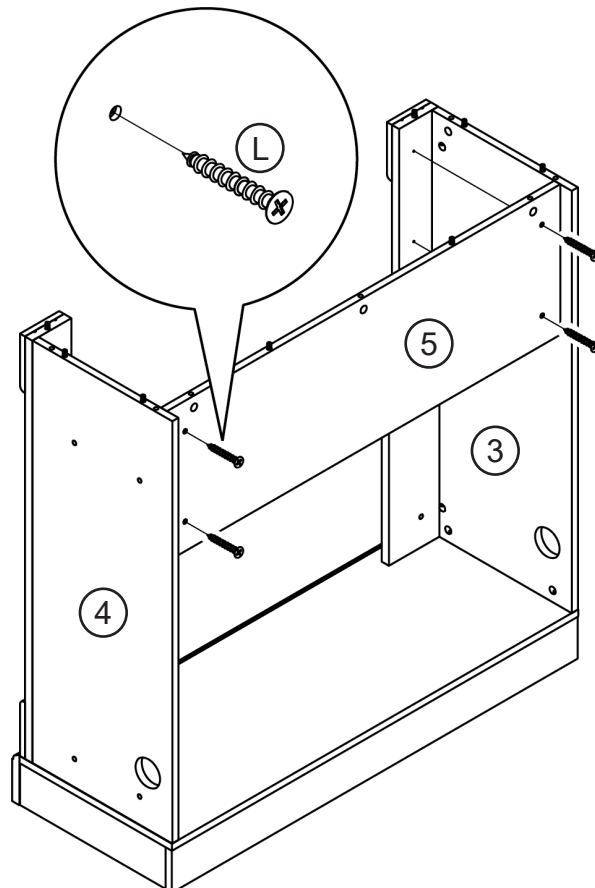
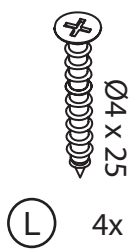
# 12

Assemble the fire mantel left and right panels (3, 4) onto the center bottom panel (2).



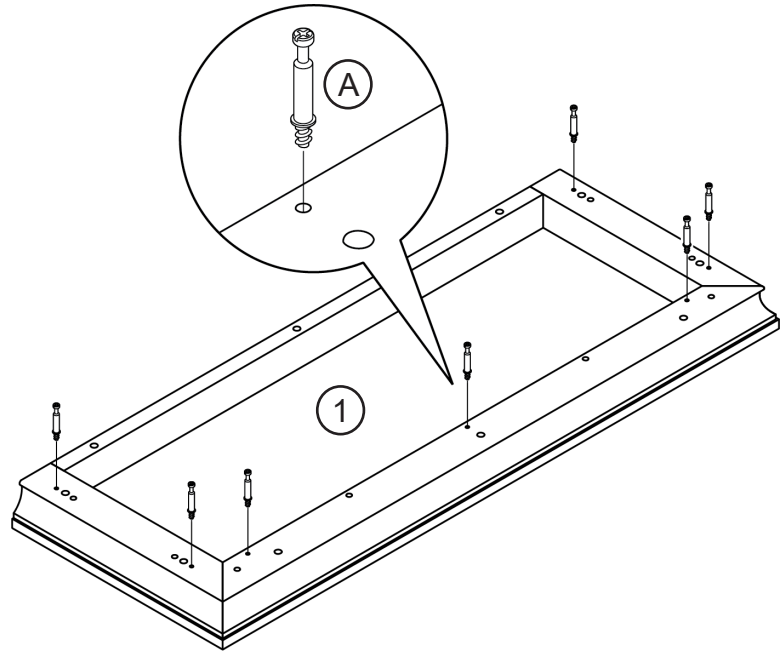
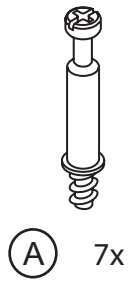
# 13

Assemble the fire mantel horizontal panel (5) to the fire mantel assembly.



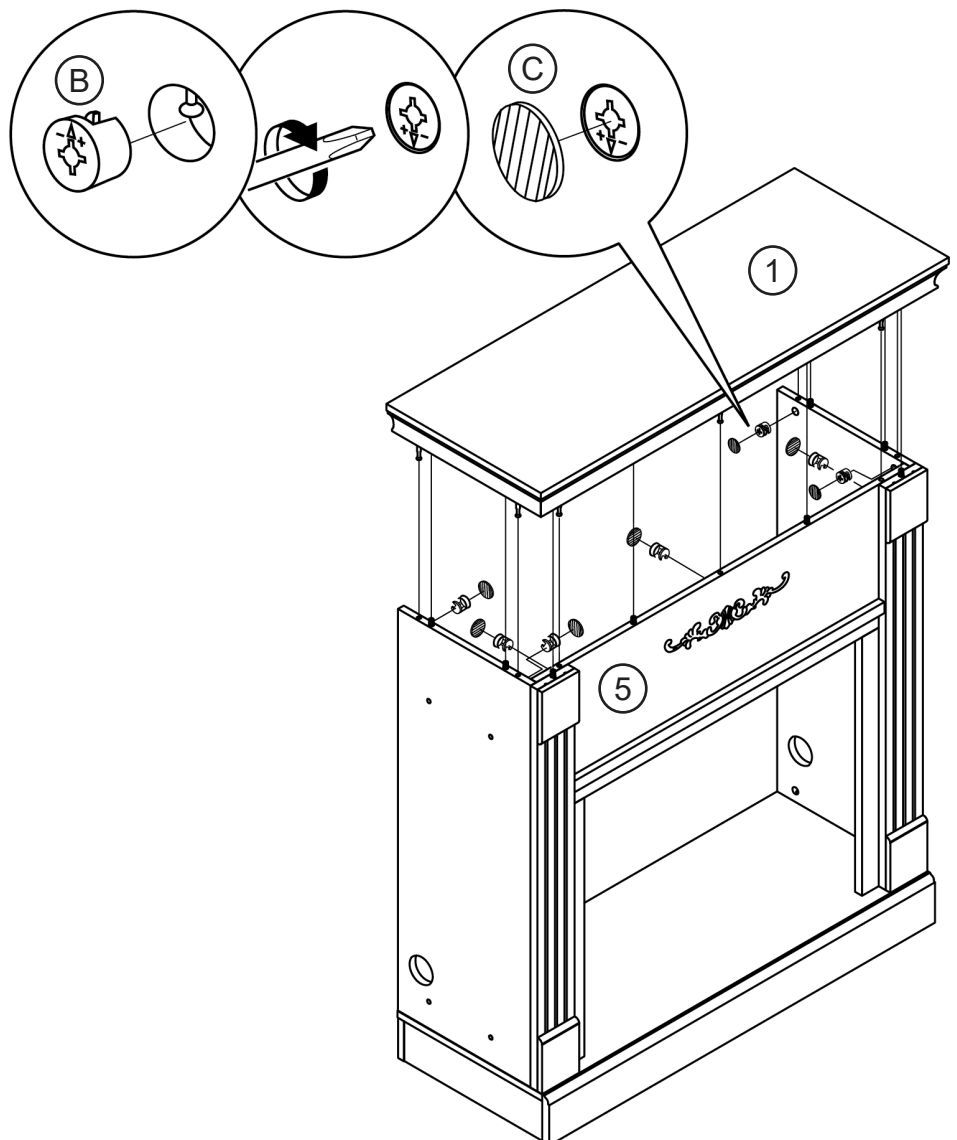
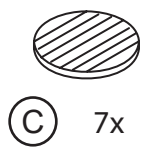
# 14

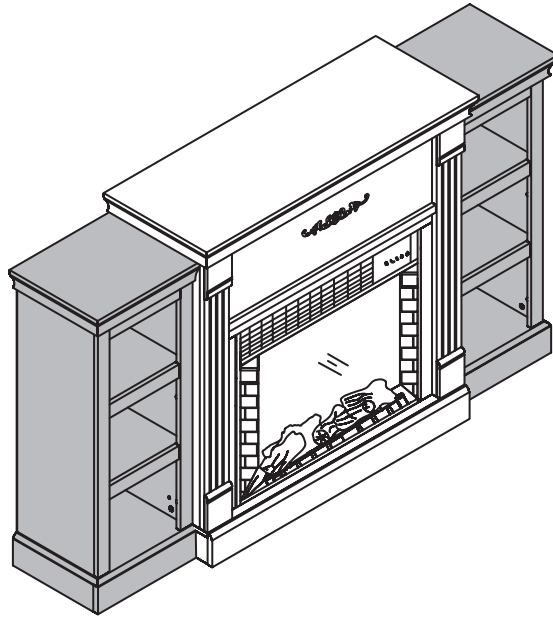
Attach cam bolts to the underside of the center top panel (1).



# 15

Assemble the center top panel (1) on top of the fire mantel.



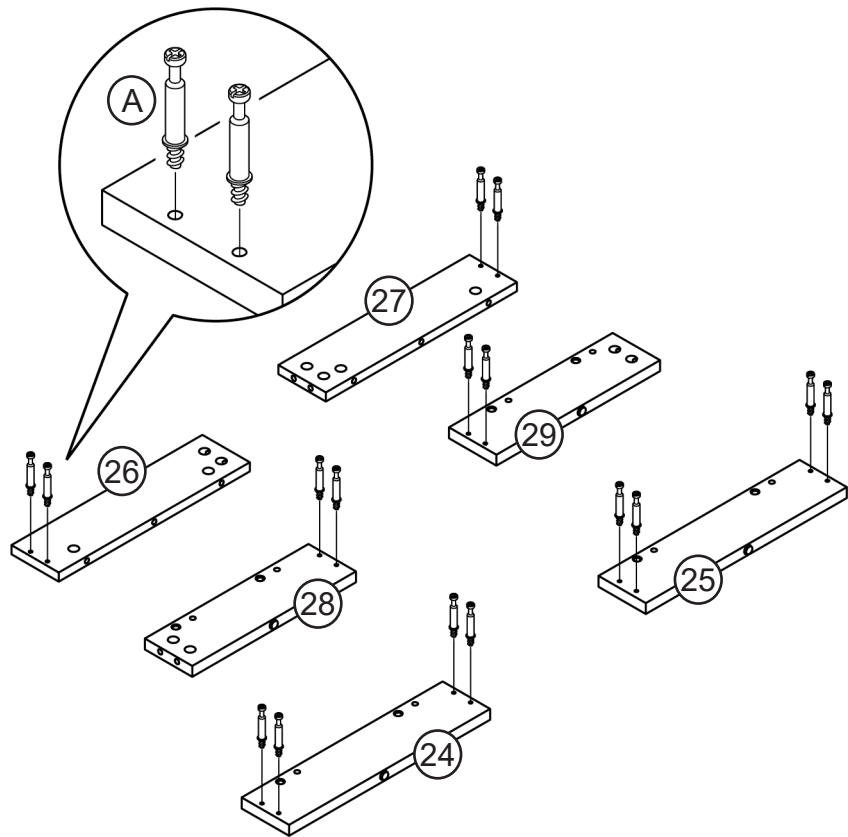


# 16

Attach cam bolts to the shlef base panels (24, 25, 26, 27, 28, 29).

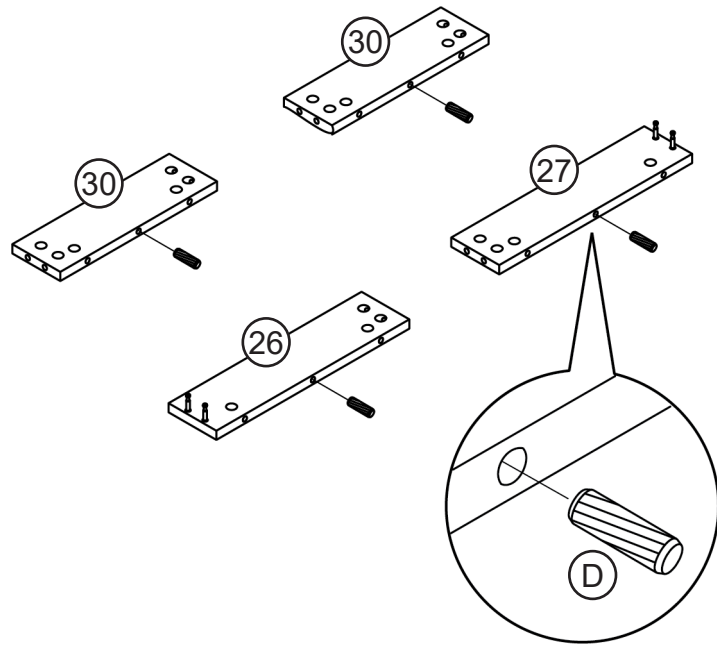
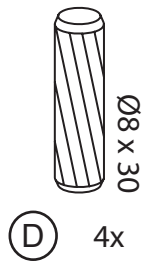


(A) 16x



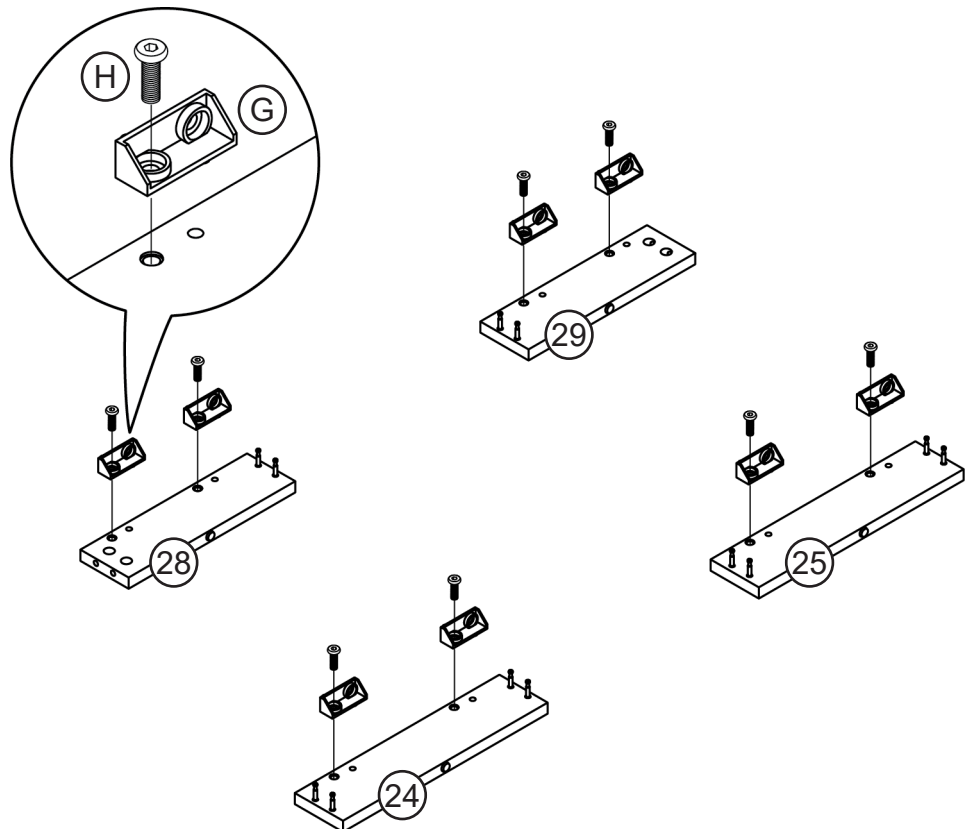
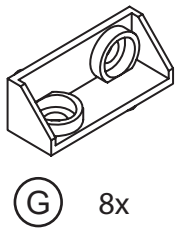
# 17

Insert wood dowels to the left shelf back base panel (26), right shelf back base panel (27) and the shelf inner base panel (30).



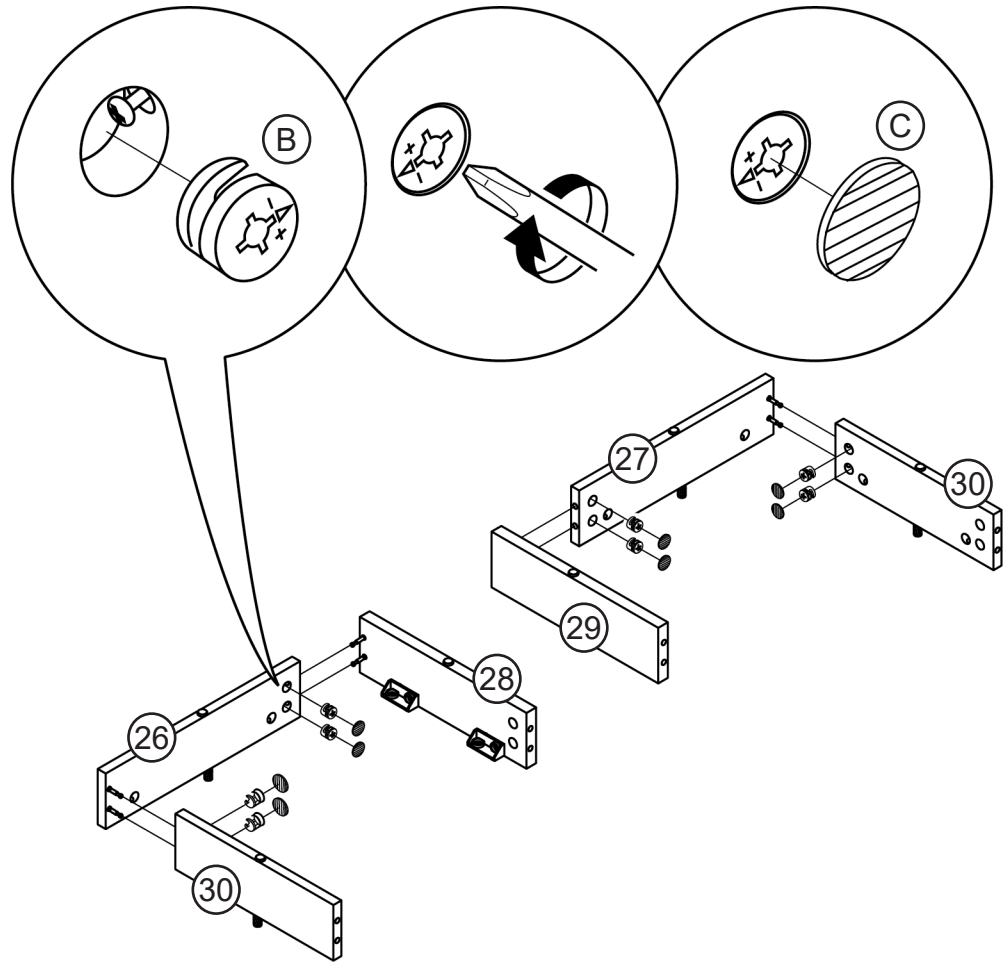
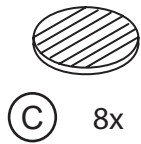
# 18

Attach corner connectors to the left and right shelf base panels (24, 25) and the left and right shelf outer base panels (28, 29).



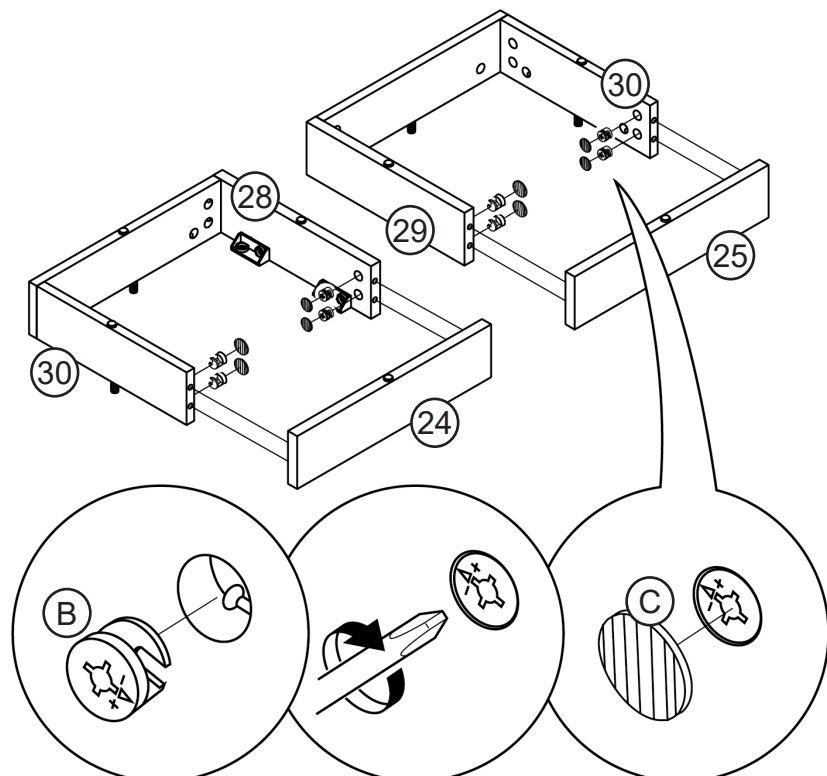
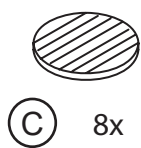
# 19

Assemble the left shelf base (26, 28, 30) and the right shelf base (27, 29, 30).



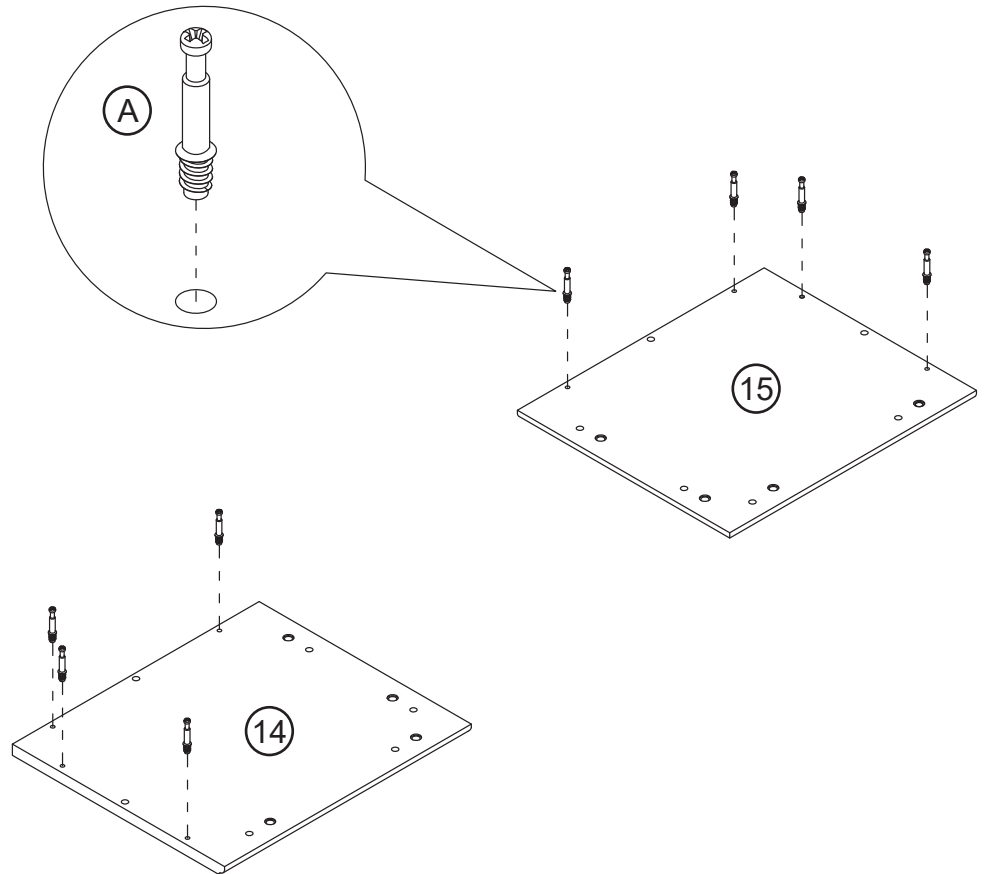
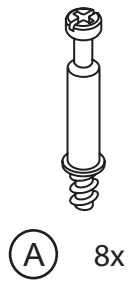
# 20

Assemble the left shelf front base panel (24) to the left base assembly, and then assemble the right shelf front base panel (25) to the right base assembly.



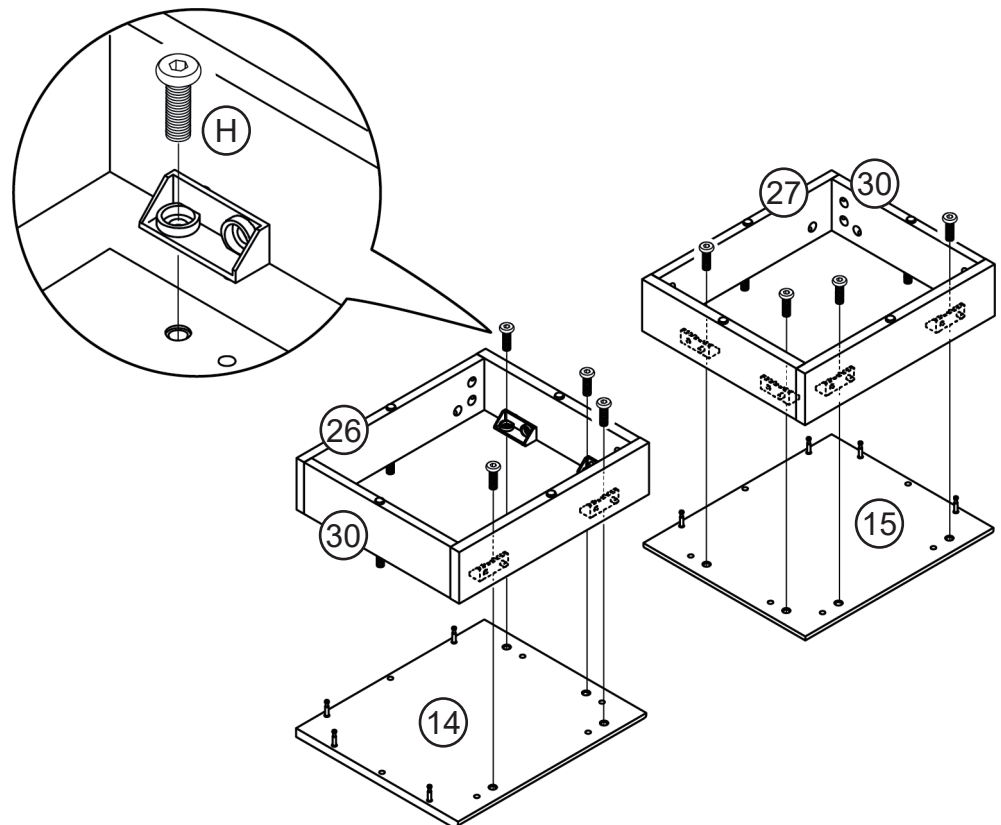
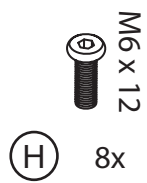
# 21

Attach cam bolts to the left and right shelf bottom panels (14, 15).



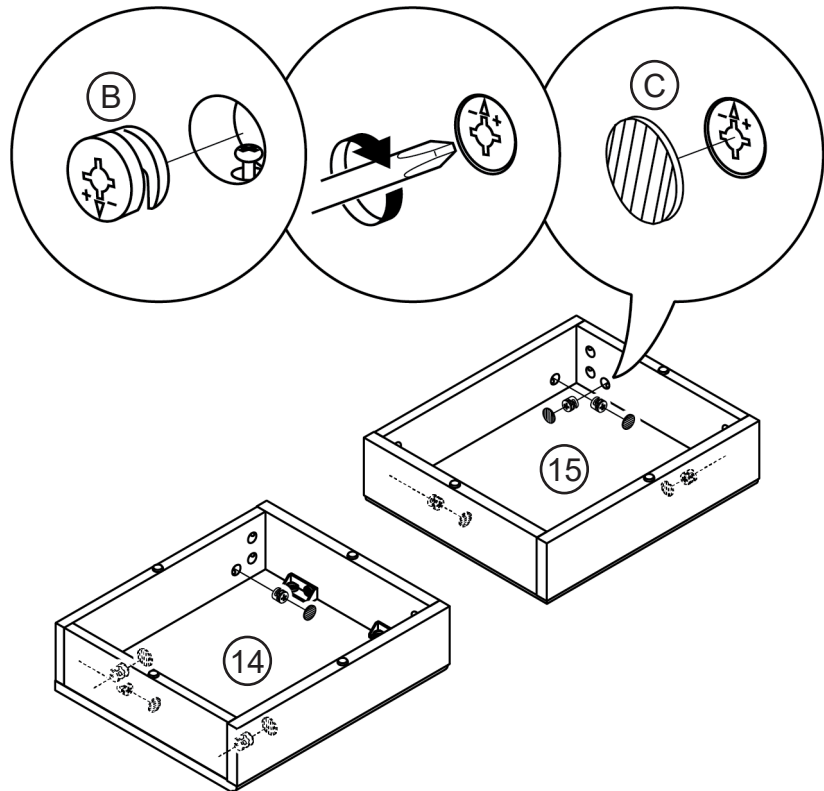
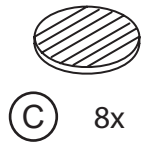
# 22

Assemble the left shelf base to the left bottom panel (14) and the right shelf base to the right bottom panel (15).



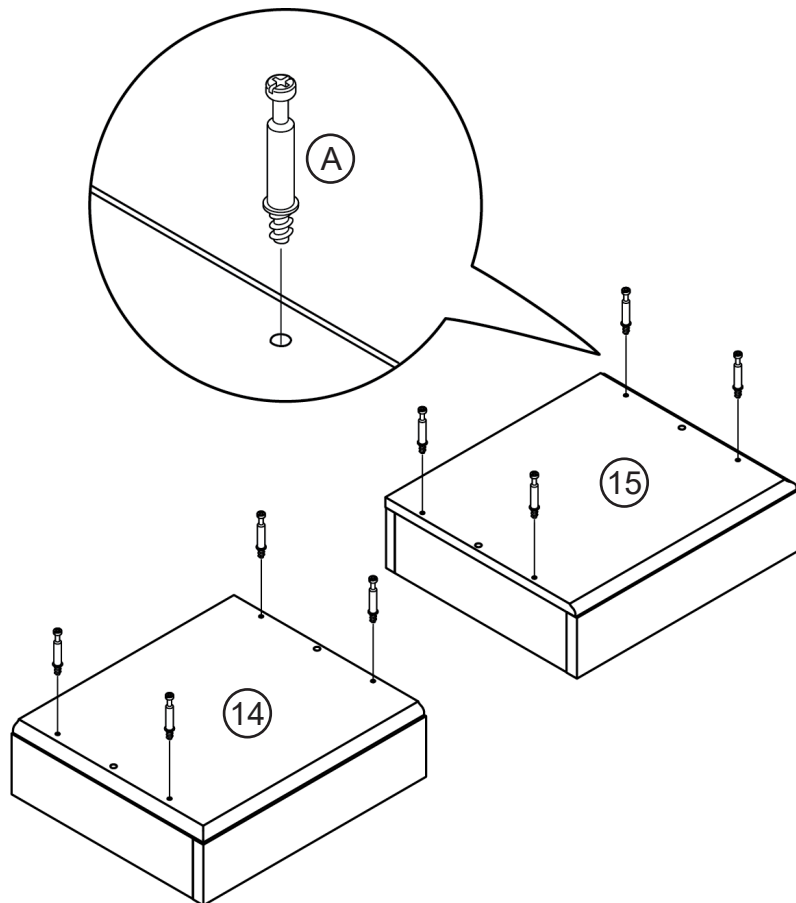
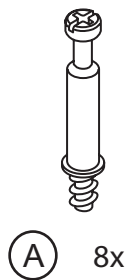
# 23

Secure the shelf base to the shelf bottom panels (14, 15).



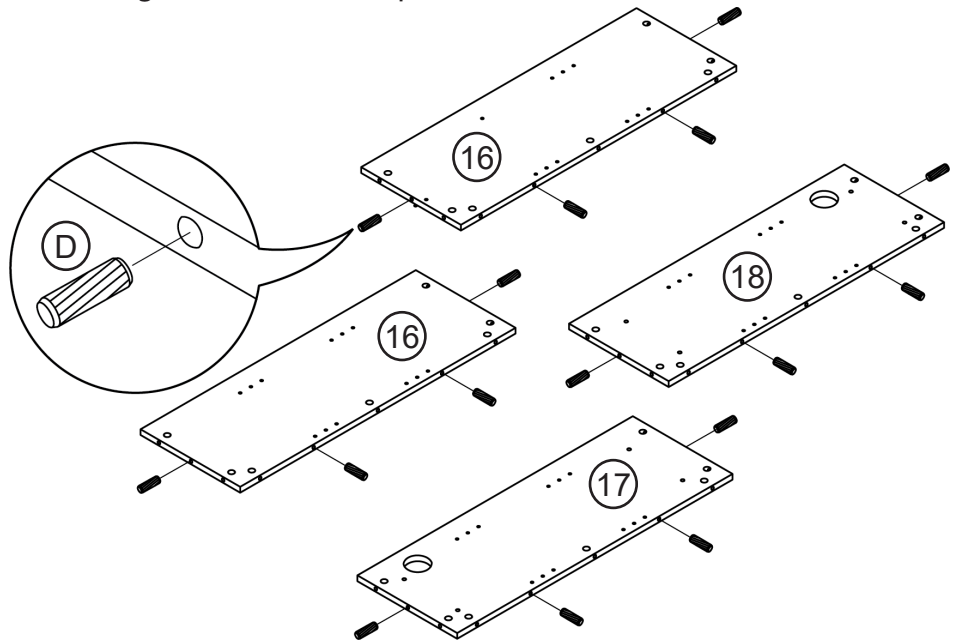
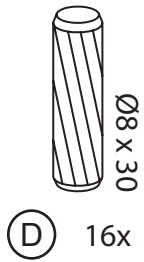
# 24

Attach cam bolts on top of the left and right bottom panels (14, 15).



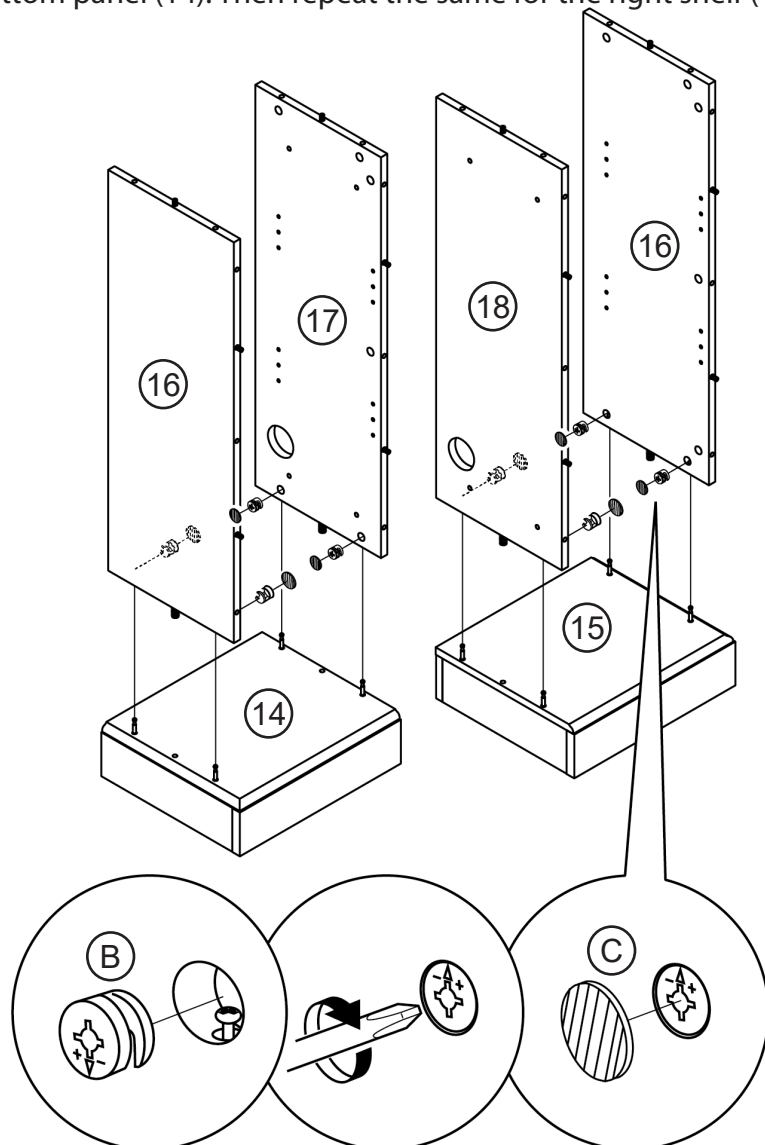
# 25

Insert wood dowels to the shelf outer side panel (16), left shelf inner side panel (17) and the right shelf inner side panel (18).



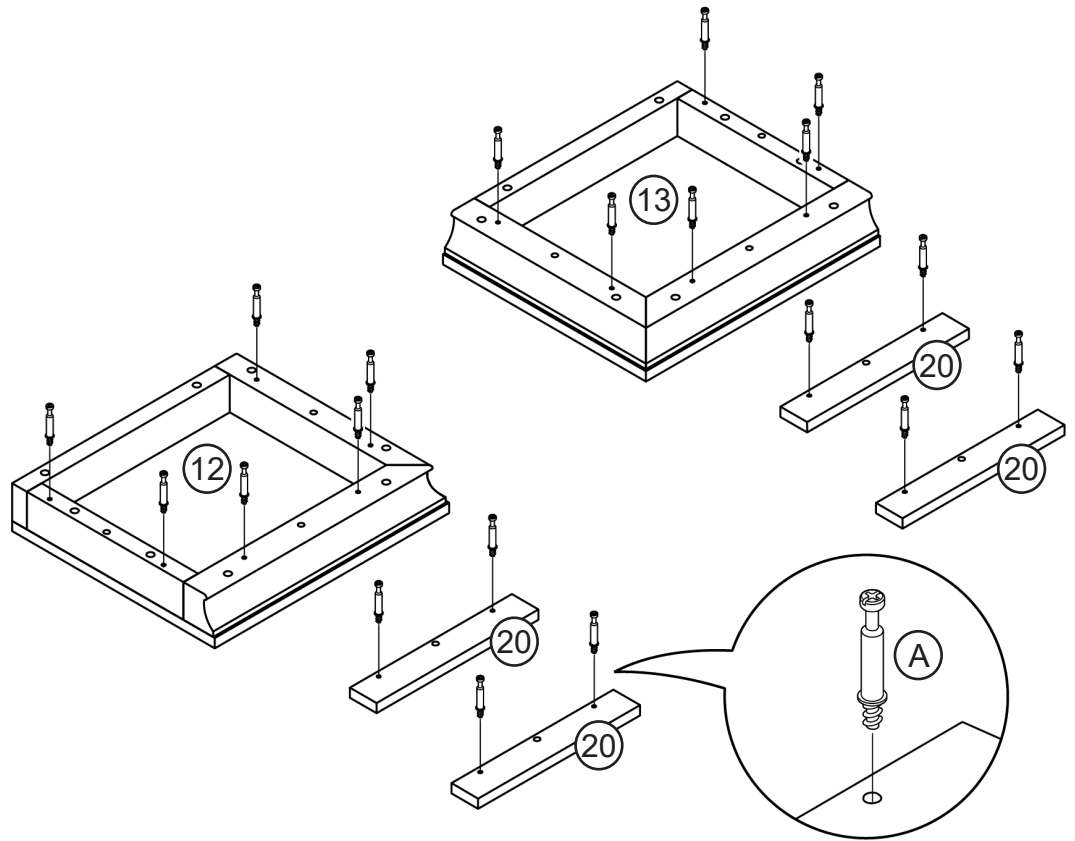
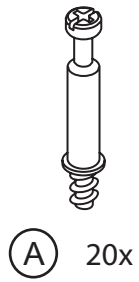
# 26

Assemble the shelf outer side panel (16) and left shelf inner side panel (17) on the left bottom panel (14). Then repeat the same for the right shelf (15, 16, 18).



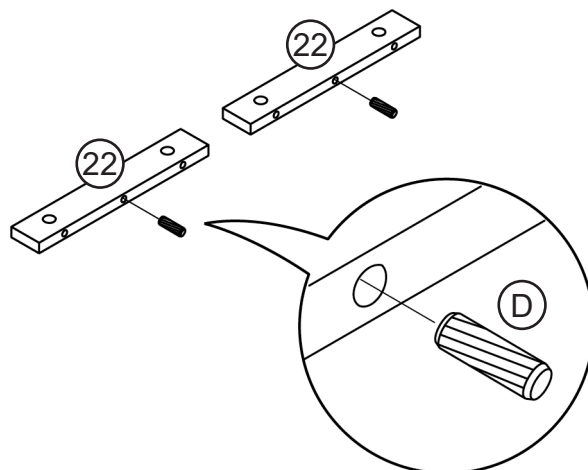
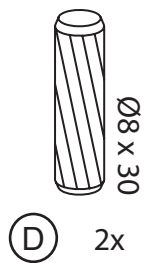
# 27

Attach cam bolts to the shelf top panels (12, 13) and the storage shelf decoration strips (20).



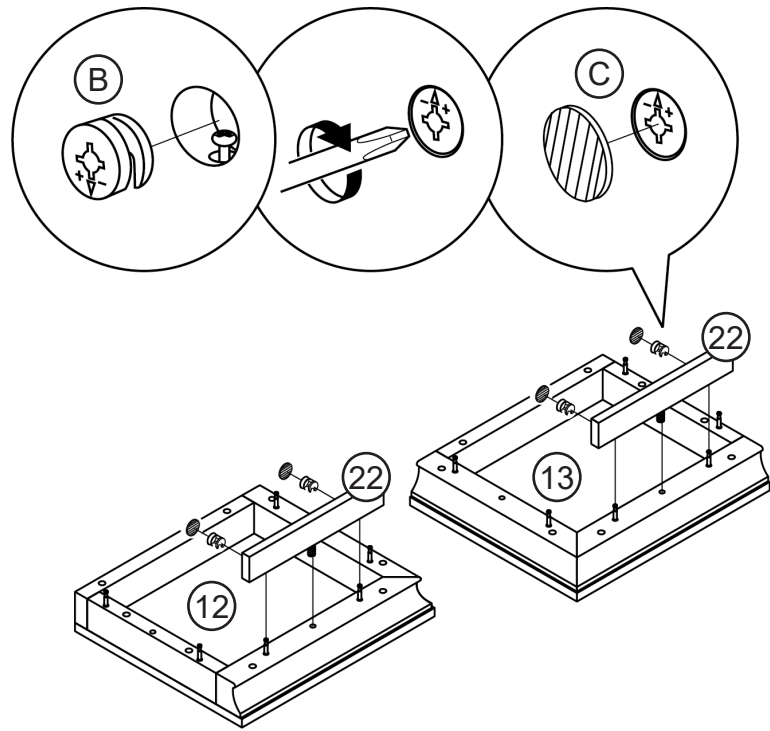
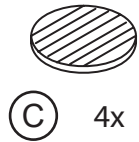
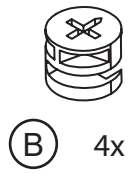
# 28

Insert wood dowels to the shelf top decoration strip (22).



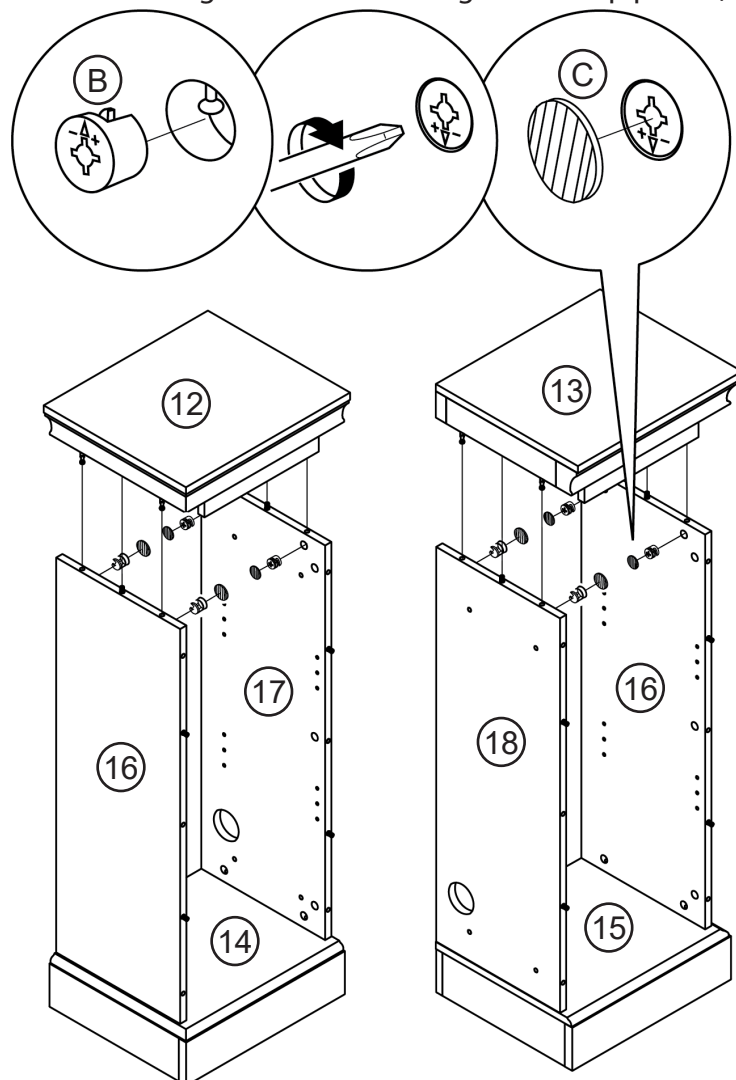
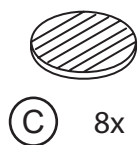
# 29

Assemble the shelf top decoration strip (22) to the shelf top panels (12, 13).



# 30

Assemble the left shelf top panel (12) on top of the left shelf assembly, then repeat the same for the right shelf with the right shelf top panel (13).

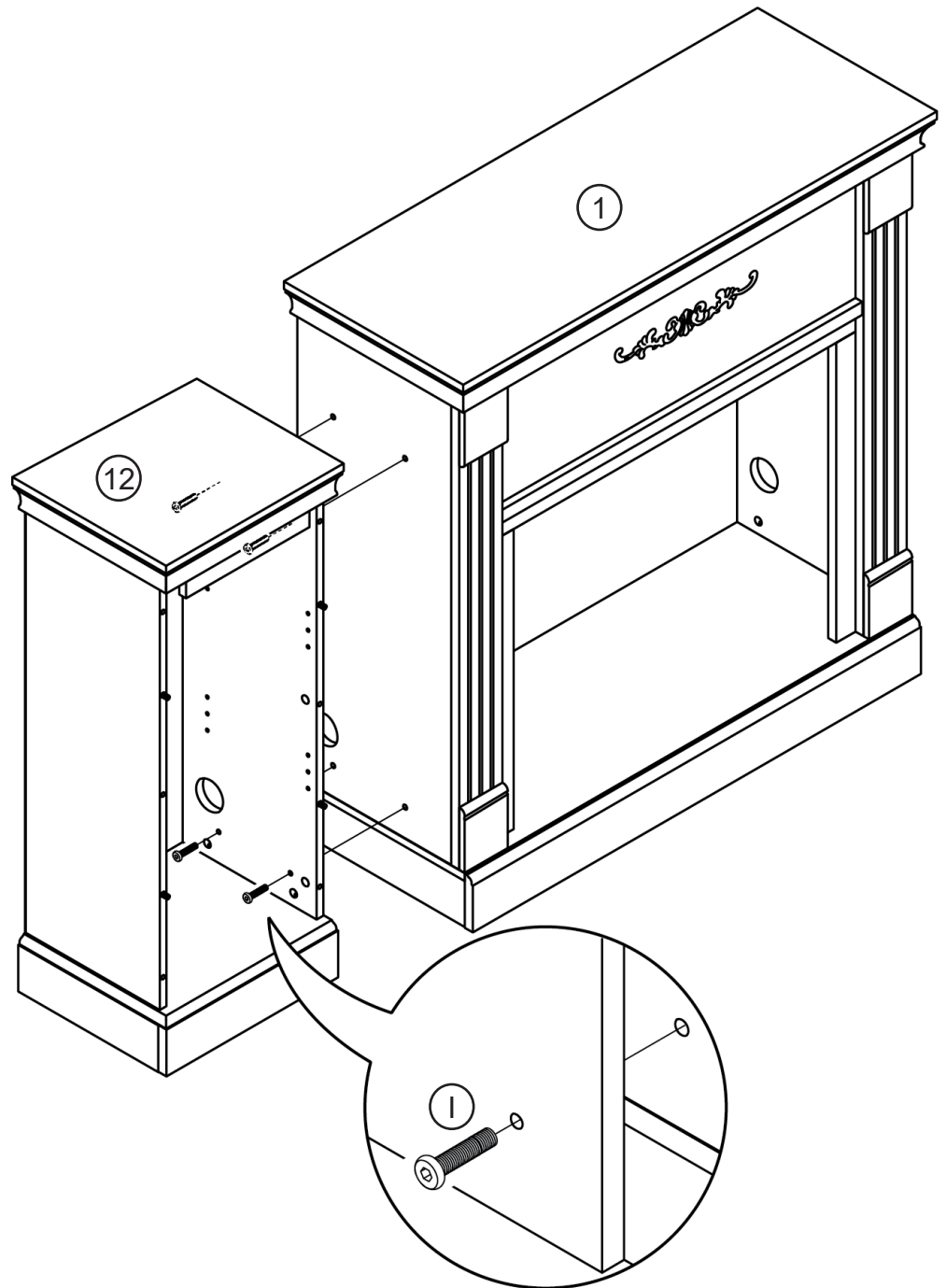


# 31

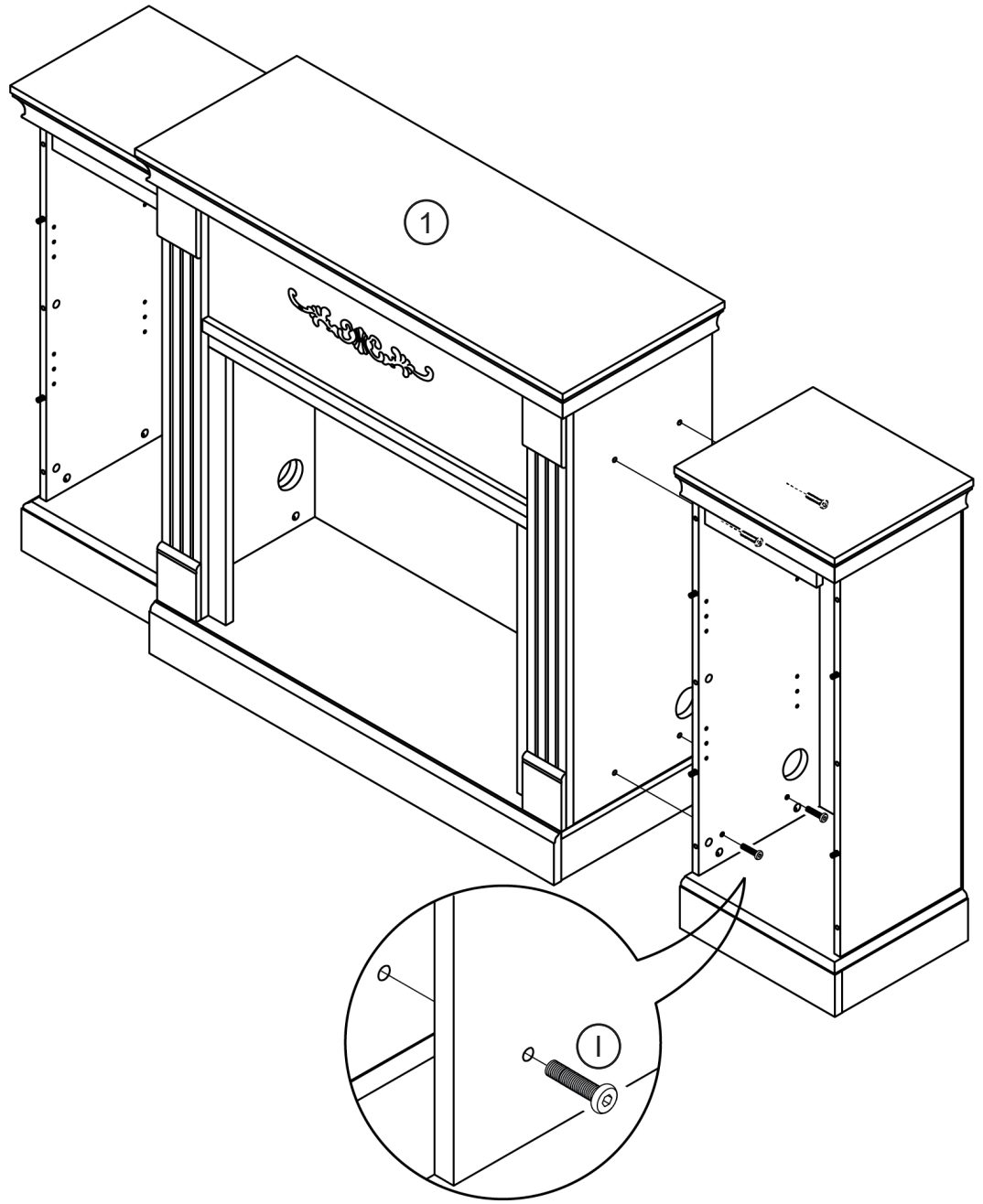
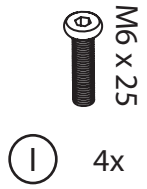
Assemble the left shelf to the left of the fire mantel.



① 4x

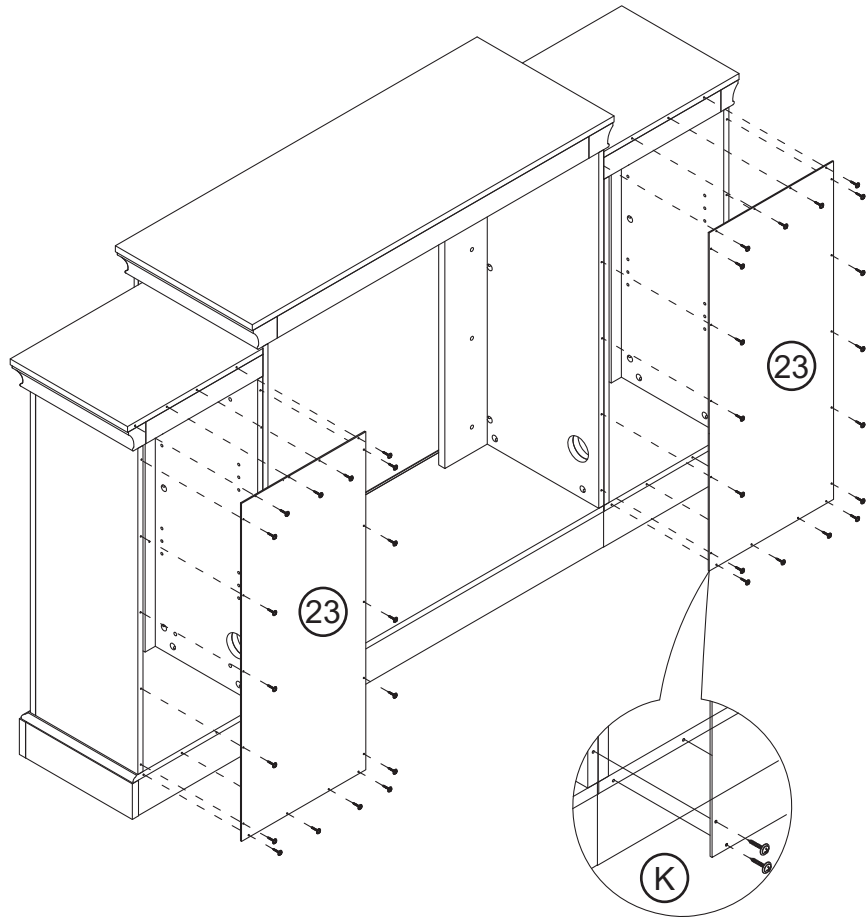
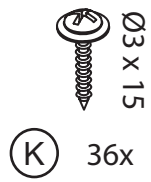


Assemble the right shelf to the right of the fire mantel.



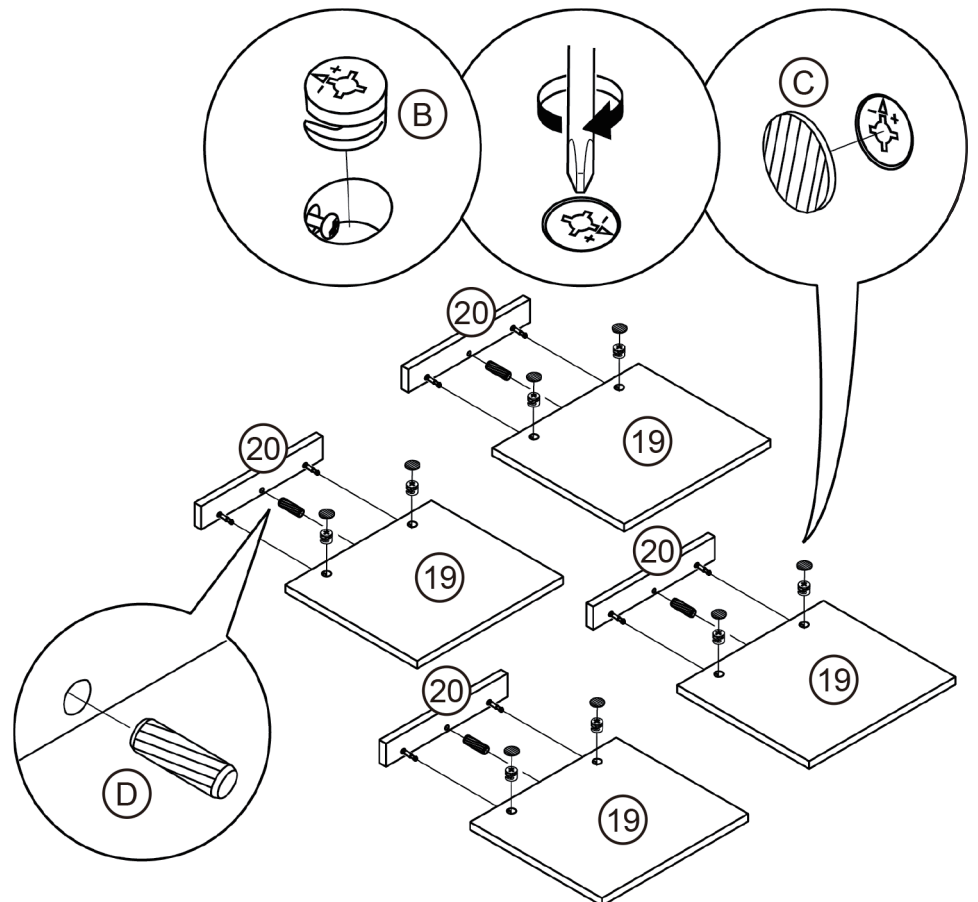
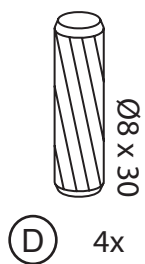
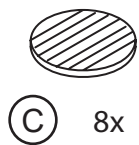
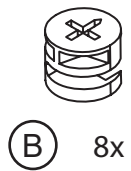
# 33

Attach the back panels (23) to the back of the shelf.



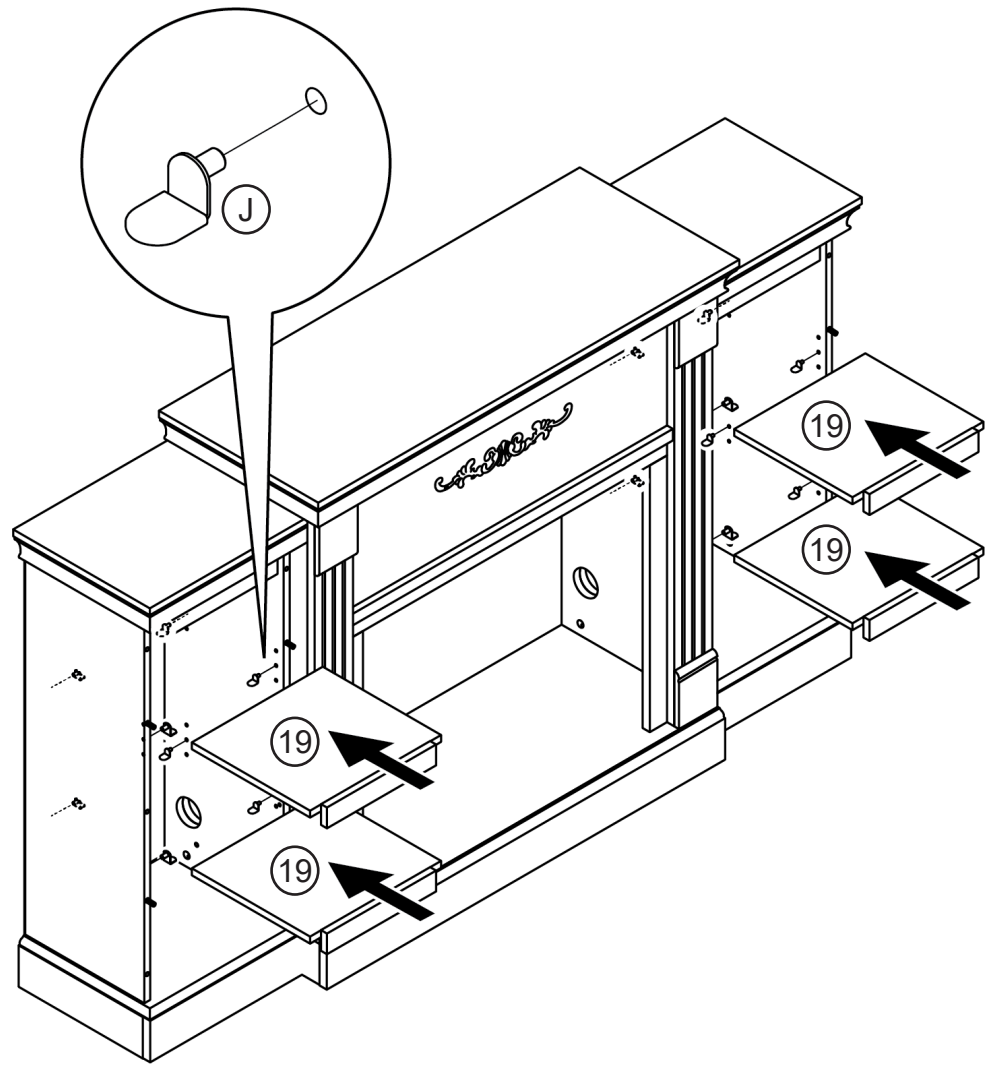
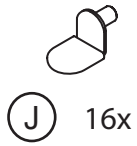
# 34

Assemble the storage shelf decoration strips (20) to the storage shelf panels (19).



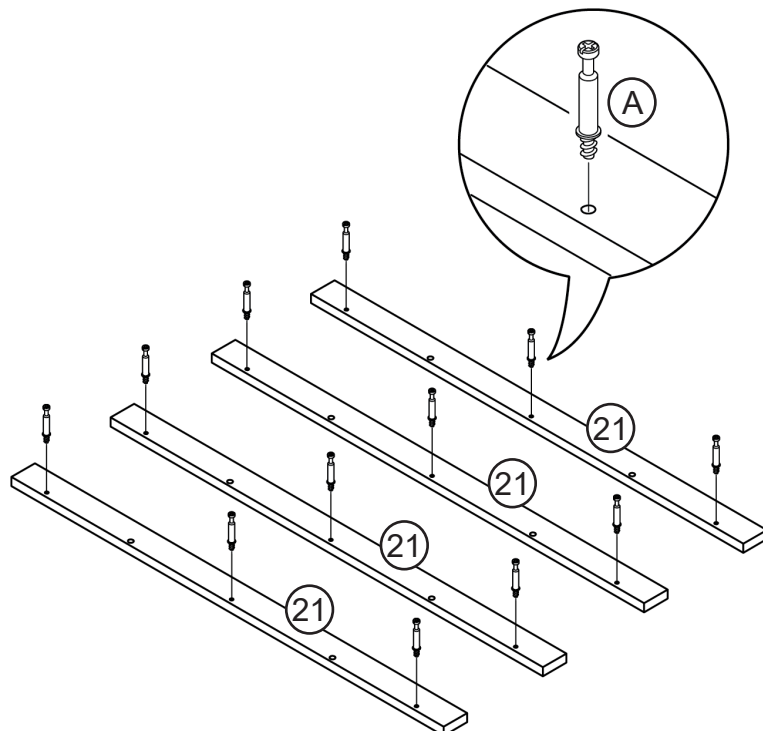
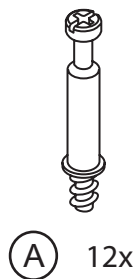
# 35

Insert shelf pegs into the shelf and put in the storage shelf panels (19).



# 36

Attach cam bolts to the shelf vertical decoration strips (21).



# 37

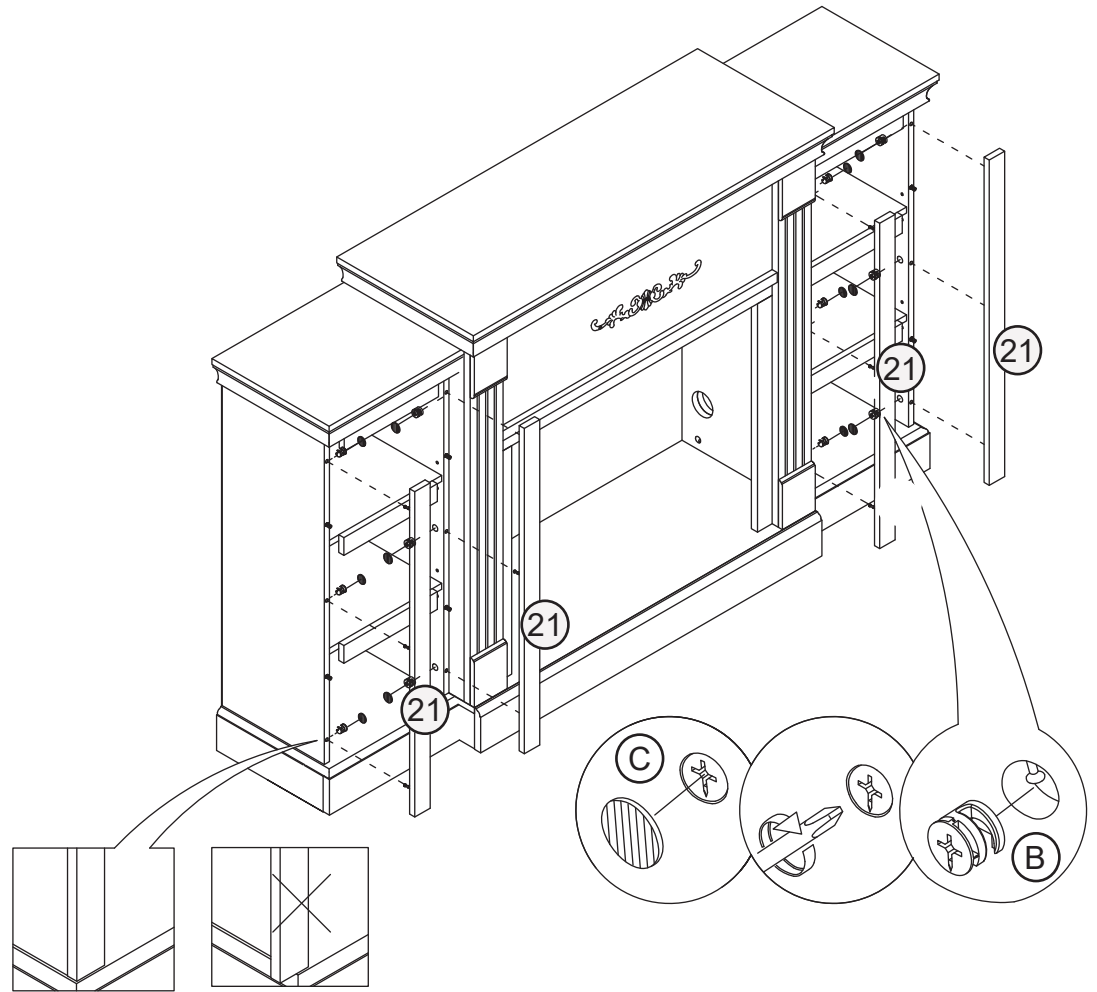
Assemble the shelf vertical decoration strips to the front of the shelf.



(B) 12x

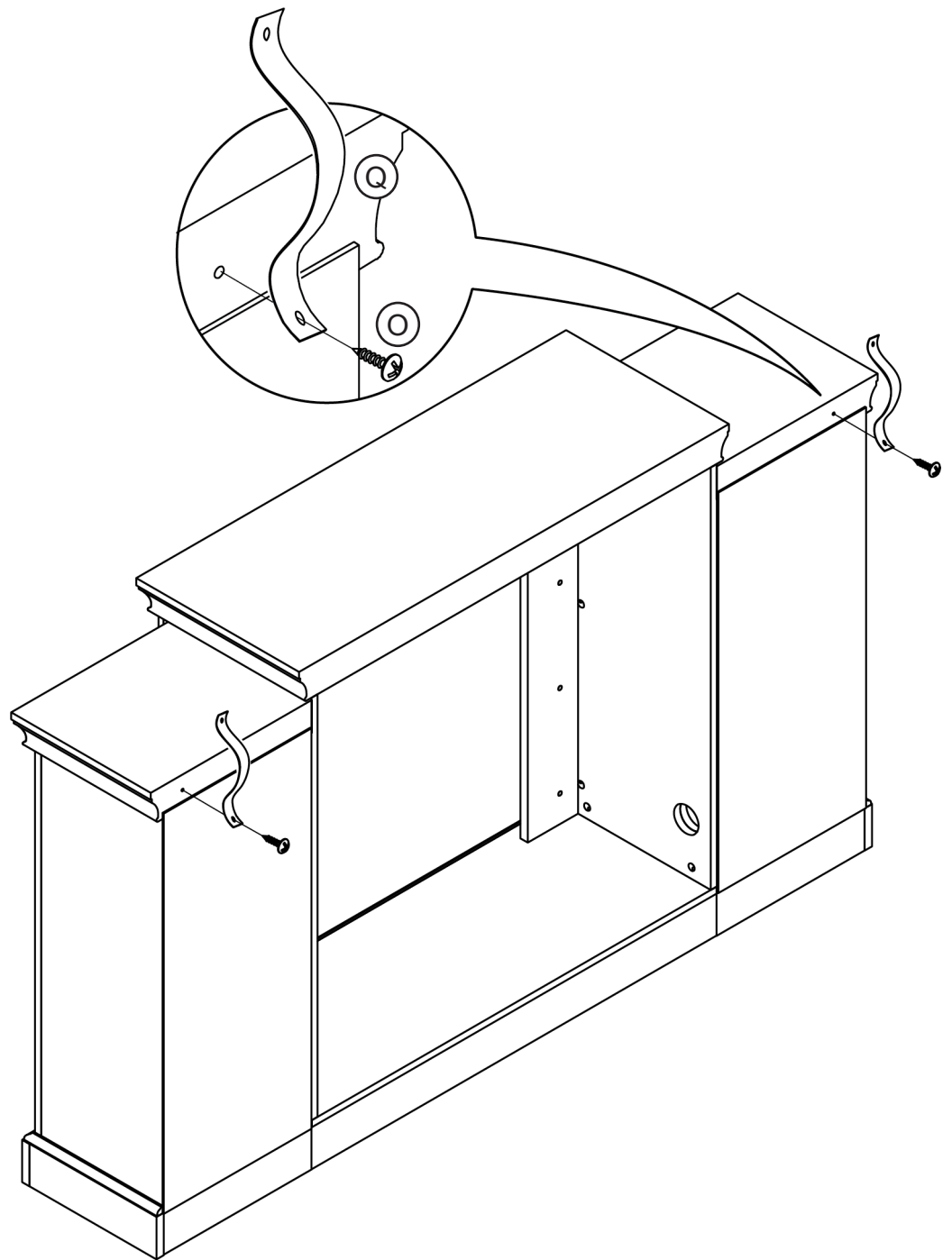


(C) 12x



# 38

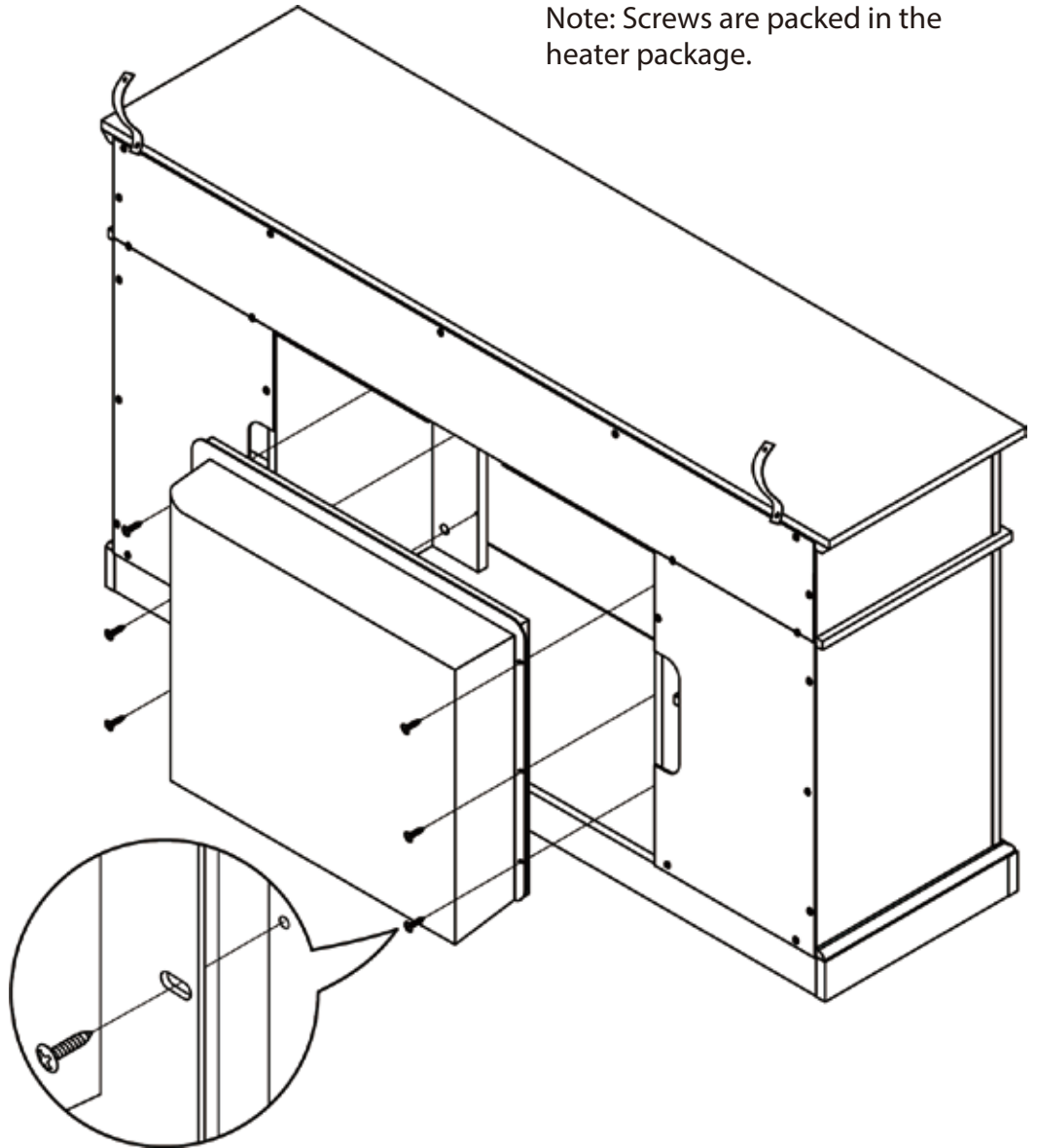
Attach anti-tipping straps to the back of the shelf.



# 39

Set the fireplace into the fireplace mantel from the back. For the exact instruction, refer to the user's manual provided with the fireplace.

Note: Screws are packed in the heater package.



## ⚠ CAUTION

The heater has a glass front panel. Careful when handling glass to prevent injury or damage.

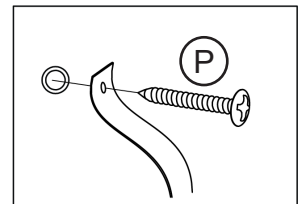
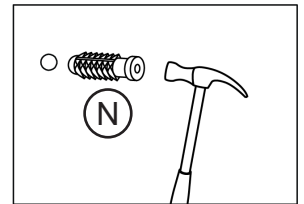
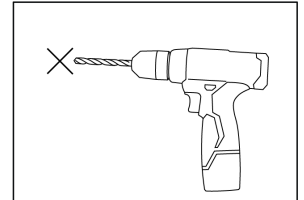
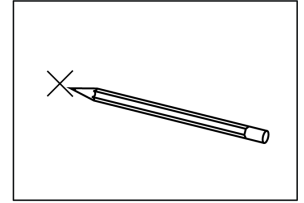
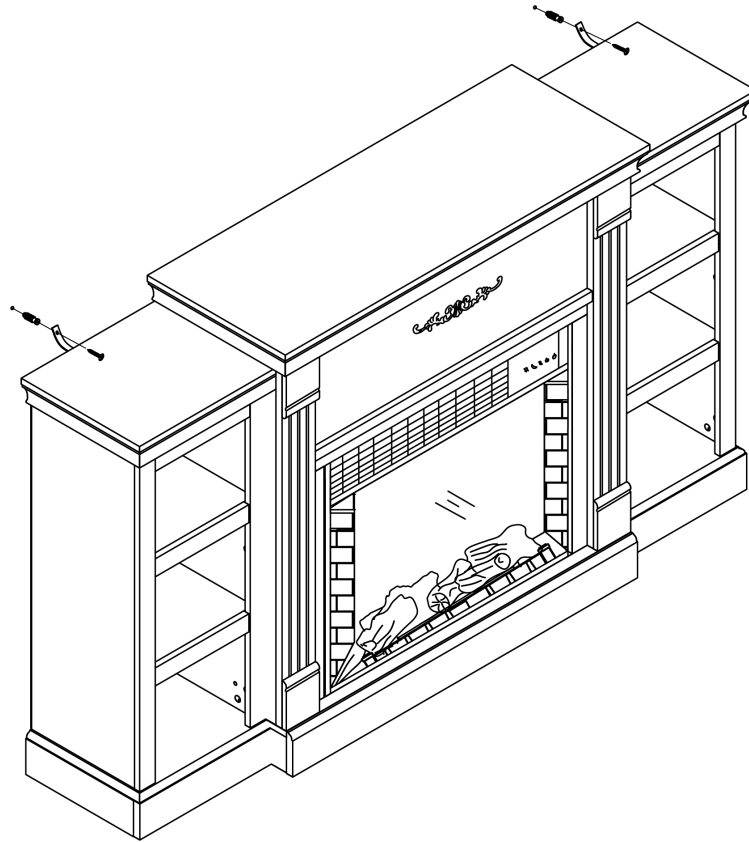
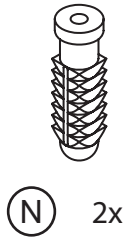
Set the unit from the back of the fireplace mantel and center it in the opening. Check the alignment and attach the unit to the mantel by inserting screws through the drilled holes on the mantel.

For the exact instruction, please refer to the user's manual provided with the fireplace.

NOTE: Do not attempt to install the unit from the front of the mantel. It will not fit.

# 40

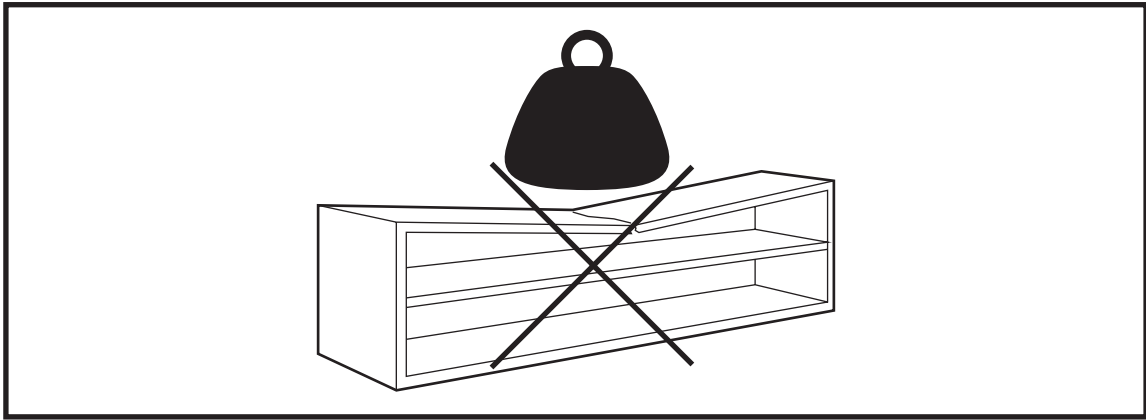
Affix the furniture to a wall.



Furniture must permanently fixed to the wall stud with included anti-tipping device to prevent the furniture from tipping over.

- Mark the drill position on the wall with a pencil.
- Drill a small hole on the marked position.
- Insert a wall anchor into the drilled hole.
- Fixed the anti-tipping strap to the wall with provided screws.

## YOU'RE FINISHED!

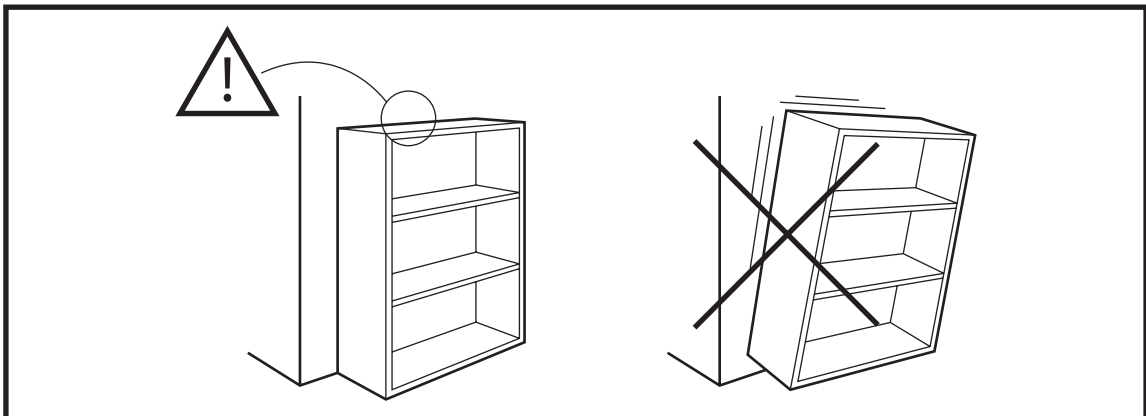


## Warning

Only place items on top of the product if they meet the recommended size and weight limits.

Climbing on, stepping on, or placing overweighted objects on the product may cause property damage and/or injuries.

Items placed onto this product must be resting on a support surface without hanging over the edges.



## Warning

Serious or fatal crushing injuries may occur if the furniture tip-over. Furniture must permanently affixed to the wall with included anti-tipping device in order to prevent the furniture from tipping over.

Different wall materials requires different types of wall anchors or screws. Use a suitable wall anchors or screws for your specific wall in order to secure the stability and load bearing capacity of the furniture. If you are uncertain about which type of device to use, please contact us or your local hardware store.

## FURNITURE CARE AND MAINTENANCE

Thank you for your purchase. We want your item to last as long as possible. To ensure the product gives you years of longevity, please follow the recommendations in this care and maintenance guide.



### MAINTENANCE

- Tighten all bolts and screws again within the first 2 weeks of assembly.
- Check the tightness of all bolts every 2 months and tighten them if necessary.



### CLEANING

- Clean the surface of the MDF (medium - density fiberboard) with a lightly dampened cloth.
- A small amount of mild soap can be used if necessary.
- Dry the surface immediately after cleaning.

⚠ DO NOT use bleach or alcohol to clean the surface.

⚠ DO NOT apply wood treatment on parts made with MDF.

MDF will swell and distort when exposed to water damage. Make sure to dry the furniture immediately after cleaning.

### ⚠ WARNING

The manufacturer and seller are not responsible for any and all liability relating to personal injury, property damage or losses, whether direct, indirect, or incidental, resulting from the incorrect attachment, improper use, inadequate maintenance, unapproved modification or neglect of this product.