

Universal Tub Spout Installation Instructions

To remove the old spout, first loosen set screws. Place a piece of wood, such as a hammer handle, in the spout and turn counterclockwise.

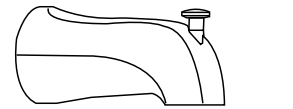
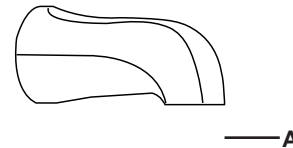
Determine install type based on your pipe connections

- 1.) 1/2 in copper pipe connection (non-thread, slip-on)
- 2.) 1/2 in thread male pipe connection (long stub out)
- 3.) 1/2 in thread male pipe connection (short stub out)
- 4.) 3/4 in threaded male pipe connection (short stub out)

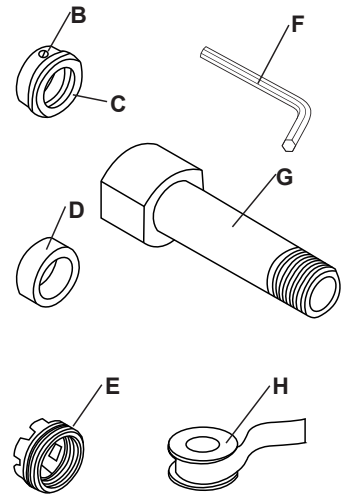
Content list

- A. Tub spout
- B. Adapters set screw
- C. Adapter
- D. Rubber gasket
- E. Reducing adapter
- F. Hex wrench
- G. Extension nipple
- H. Pipe thread tape

Non-Diverter



Diverter



FOR 1/2" COPPER PIPE CONNECTION

Tools Required: Hex Wrench

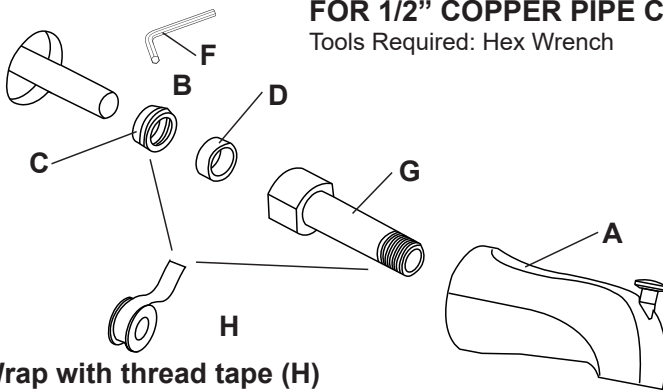
Must install with handheld shower*

1 FOR 1/2 IN COPPER PIPE (NON-THREADED) CONNECTION

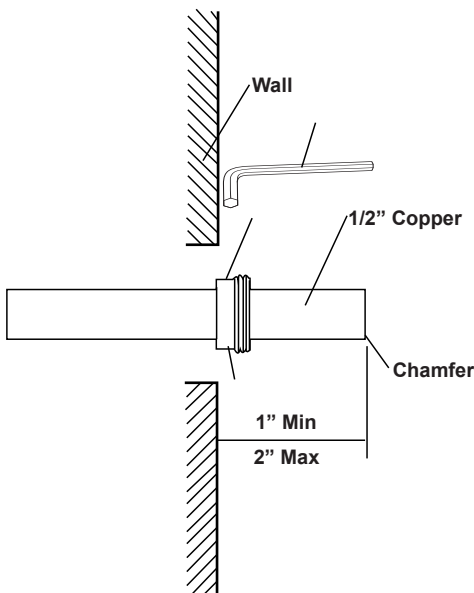
Needed parts: Adapter(C), Pipe thread tape(H), Rubber gasket(D), Extension nipple(G), Hex wrench(F)

FOR 1/2" COPPER PIPE CONNECTION

Tools Required: Hex Wrench



Wrap with thread tape (H)



1.) The length of copper pipe from the finished wall should be at least 1 into maximum 2 in.

2.) Trim the end of the copper pipe. Chamfer the pipe and remove all burrs to avoid nicking the O-ring.

3.) 3.) Loosen the adapter's set screws (B). Slip the adapter (C) onto copper pipe so that the back end of adapters is flush with the finished wall. Tighten until snug with a Hex wrench (F).

Caution: Do not overtighten. Overtightening can lead to cracking and leaking long after installation.

4.) Wrap the threads of adapter (C) with pipe thread tape (H).

5.) Slide the rubber gasket(D) into extension nipple(G). Thread the extension nipple (G) onto adapter(C), hand-tighten.

6.) Wrap the male threads of the extension nipple (G) with nipple thread tape. Thread tub spout (A) onto extension nipple(G) clockwise, hand-tighten.

7.) Attach the handheld shower to the base of the tub spout.

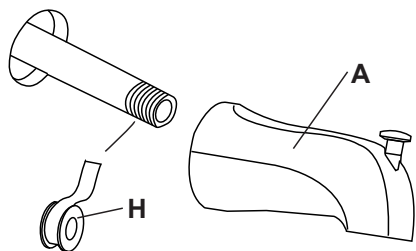


Universal Tub Spout Installation Instructions

2 For 1/2 in THREADED MALE PIPE CONNECTION (LONG STUB OUT)

Needed parts: Pipe thread tape

FOR 1/2" THREAD MALE PIPE CONNECTION (LONG STUB OUT)



- 1.) Wrap the threads of wall tubing with pipe thread tape (H).
- 2.) Thread tub spout (A) onto threaded wall pipe clockwise, hand-tighten.

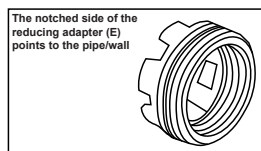
Follow step 1. To step 2. To install the spout

- 3.) Attach the handheld shower to the base of the tub spout.

Wrap with thread tape (H)

3 FOR 1/2 in THREADED MALE PIPE CONNECTION (LONG STUB OUT)

Needed parts: Pipe thread (H), reducing adapter(E), rubber gasket (D), Extension nipple (G)



FOR 1/2" THREAD MALE PIPE CONNECTION (LONG STUB OUT)

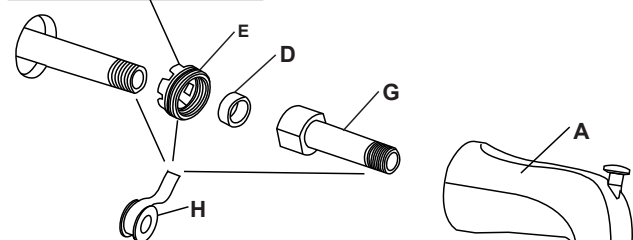
- 1.) Wrap the threads of wall tubing pipe thread tape (H).
- 2.) Thread the reducing adapter (E) onto the thread wall tubing, ensuring that the notched side of the reducing adapter (E) points to the pipe/wall and the flat side if the adapter points to the tub spout and hand tighten. Wrap threads of the reducing adapter (E) with pipe thread tape (H).

- 3.) Insert the rubber gasket (D) into extension nipple(G)
- 4.) Thread extension nipple (G) on reducing adapter (E). Ensure extension nipple (G) is flush with back reducing adapter (E).

- 5.) Wrap extension nipple with pipe thread tape (H). Thread tub spout onto extension nipple clockwise, hand-tighten.

Follow step 1. To step 5. To install the spout

- 6.) Attach the handheld shower to the base of the tub spout.

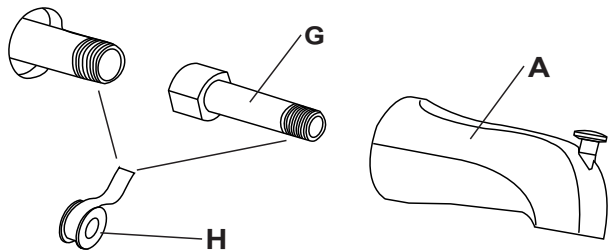


Wrap with thread tape (H)

FOR 3/4" THREAD MALE PIPE CONNECTION (SHORT STUB OUT)

4 FOR 3/4 in THREADED MALE PIPE CONNECTION (SHORT STUB OUT)

Needed parts: pipe thread tape (H). Extension nipple (G).



Wrap with thread tape (H)

- 1.) Wrap the threads of wall tubing with pipe thread tape (H).
- 2.) Thread extension nipple (G) onto threaded end of wall pipe

- 3.) Wrap extension nipple (G) with pipe thread tape (H).
- 4.) Thread tub spout (A) onto extension nipple (G) clockwise, hand tighten.

Follow step 1. To step 4. To install the spout

- 5.) Attach the handheld shower to the base of the tub spout.

Note:

1. To ensure pipe thread tape performs properly, regardless of tape thickness, it is recommended to wrap at least 6 times around or more

2. Caution: Do not overtighten. Overtighten can lead to cracking and leaking long after installation.

3. For proper installation, align the threads before tightening and turn clockwise.

4. Check for leaks after installation. Allow the residual water to empty, then observe. Some drips are normal. If the drips exceed 2.5 tablespoons (around 1.25 oz) in a minute, unthread the tub spout and apply more pipe thread tape

5. We recommend periodically replacing the diverter to prevent leaks caused by mineral build up hard water environment. The diverter repair kit is available for purchase.