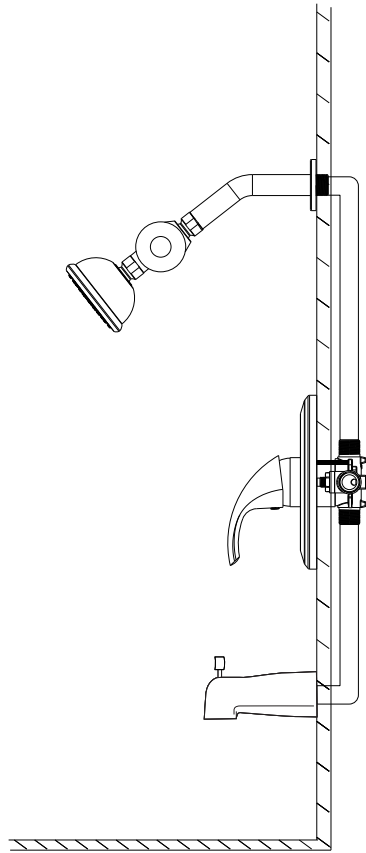


## PRODUCT DRAWING



## RECOMMENDED TOOLS

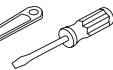
Plumber's putty



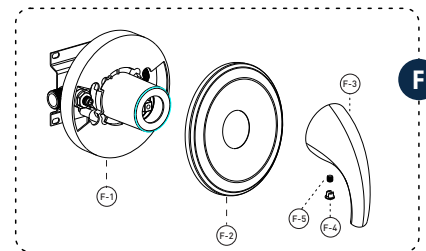
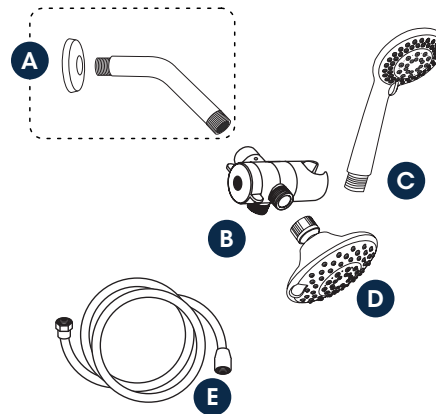
Thread seal tape



Included



No.	Description
A	Shower arm and flange kit
B	Water Diverter with built-in Bracket
C	Hand shower
D	Head Shower
E	Flexible hose
F	Pressure balanced diverter valve
f-1	Valve
f-2	Face plate with sealjoint
f-3	Diverter knob kit
f-4	Trim cap
f-5	Allen screw
G	Bathtub spout



## SHOWER SYSTEM FAUCET

Installation instruction



**MB/BN/BG/CH/ORB**

### CARE INSTRUCTIONS

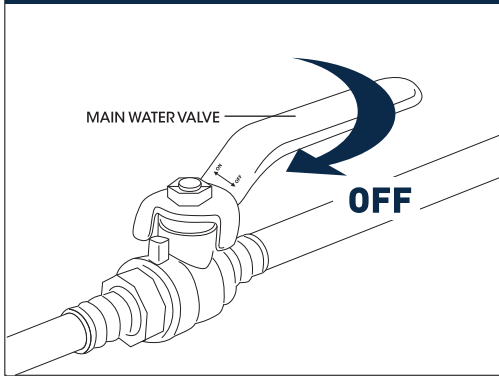
Rinse the product with clear water. Dry the product with a soft cloth.

### DO NOT:

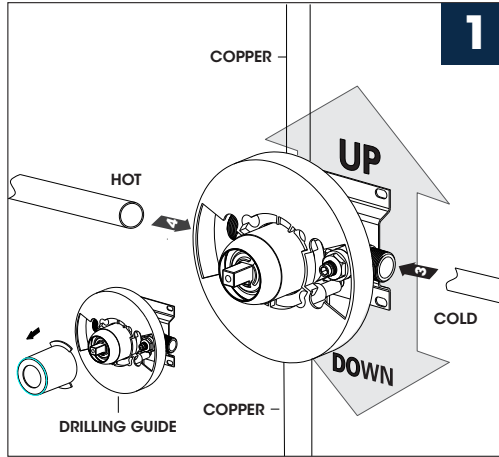
Use abrasive cleansers, cloths, or paper towels. Use any cleaning agents containing acid, polish, wax, alcohol, ammonia, bleach, solvent or any other corrosive or harsh chemical cleansers.

# INSTALLATION STEPS

## BEFORE YOU BEGIN

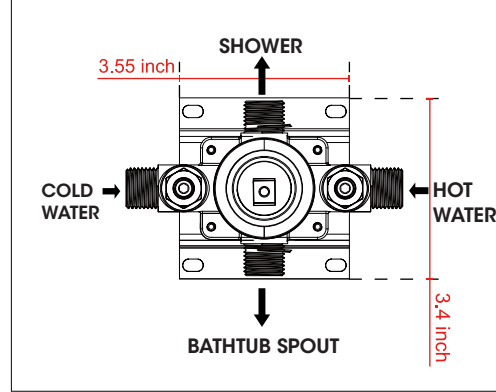


1



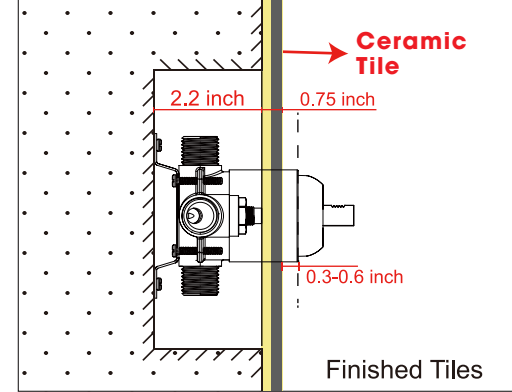
## SHOWER+BATHTUB SPOUT

2



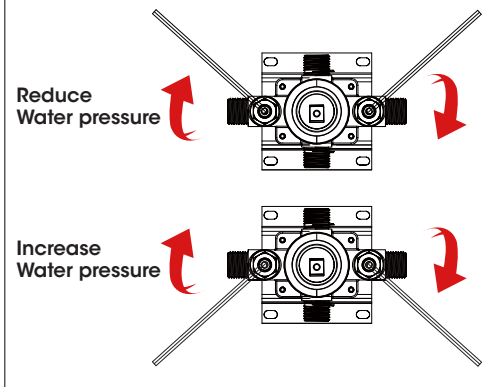
## CONFIRM DIMENSIONS

3



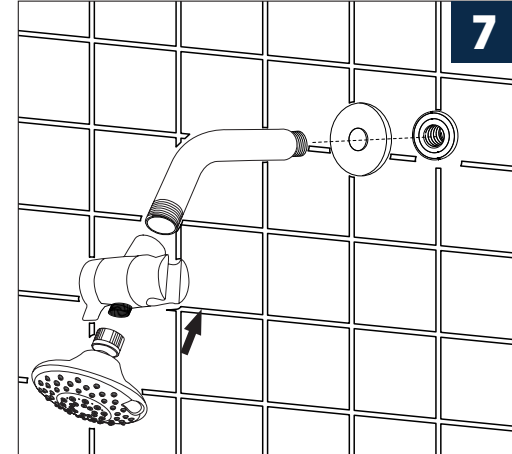
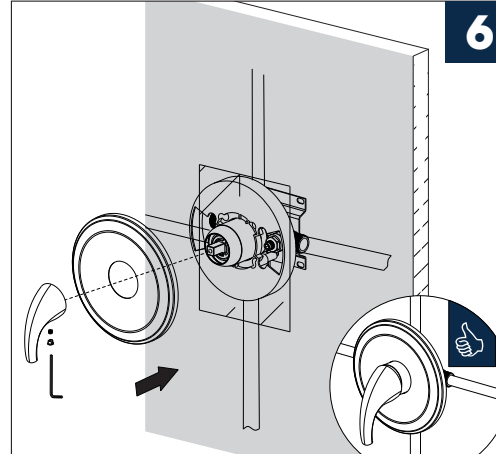
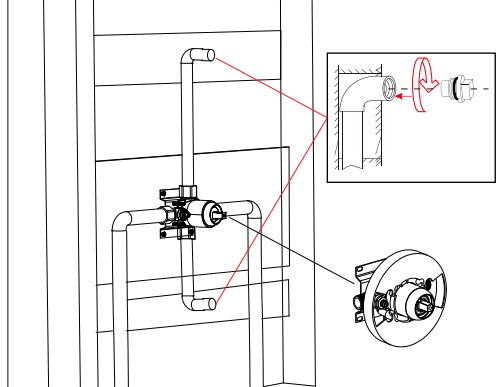
## CHOOSE WATER PRESSURE

4

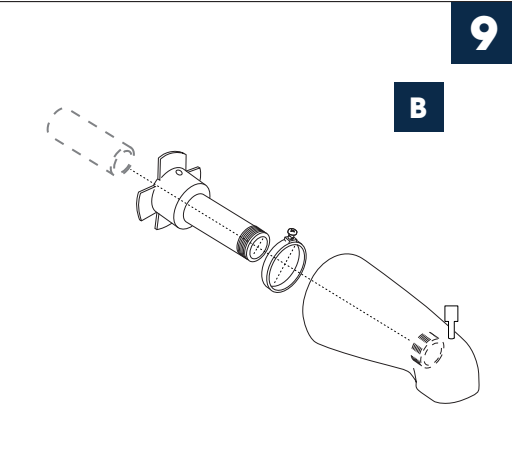
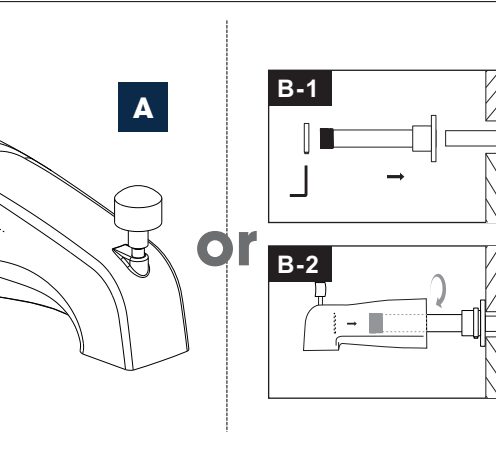
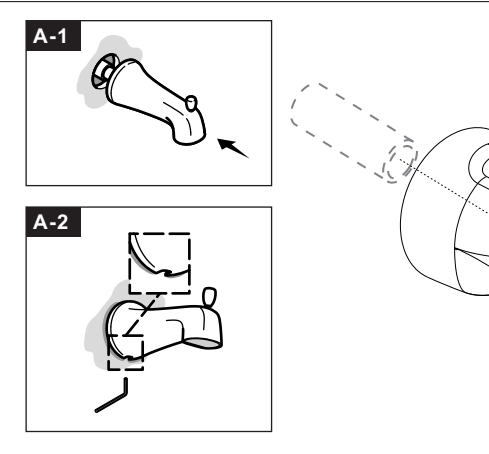
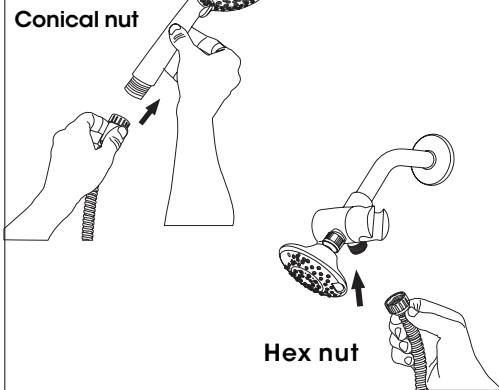


## TEST VALVE BEFORE CLOSE THE

5



## 8



9