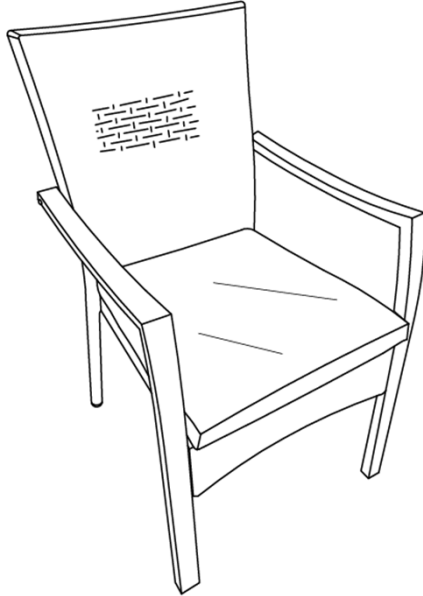


# Assembly Instructions

**Caution: You must read this before you proceed**






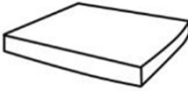

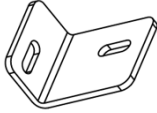

## Single Chair



### Parts List

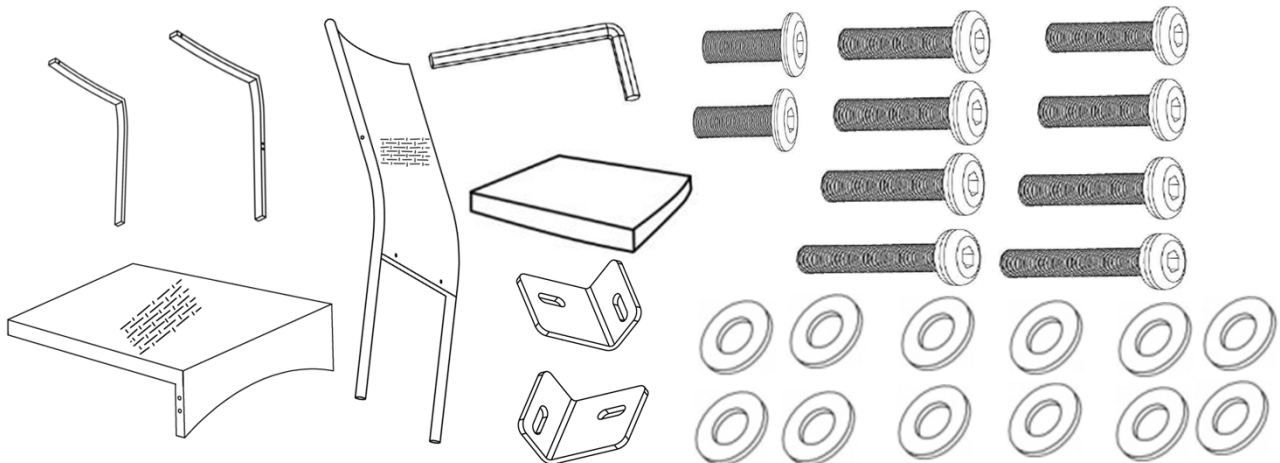
Label	Picture	Description	QTY
A	A line drawing of a single L-shaped part, representing the left armrest and leg.	Left Armrest / Leg	1
B	A line drawing of a single L-shaped part, representing the right armrest and leg.	Right Armrest / Leg	1
C	A line drawing of a rectangular seat with a textured top surface and a small notch on the right side.	Seat	1
D	A line drawing of a curved backrest with two long legs extending downwards.	Seat Back	1

# Hardware

Label	Picture	Description	QTY
E		Allen Key	1
F		Bolt (M6*30mm)	5
G		Bolt (M6*40mm)	3
H		Bolt (M6*60mm)	3
I		Washer	13
J		Seat Cushion	1
K		Bolt (M6*20mm)	2
L		Connection	1
M		Connection	1

## Assembly Preparation

Before Beginning Assembly:



- Read instructions, cover to cover-



- Have 2 adults on hand for assembly-



- Do not assemble on flooring or carpet-



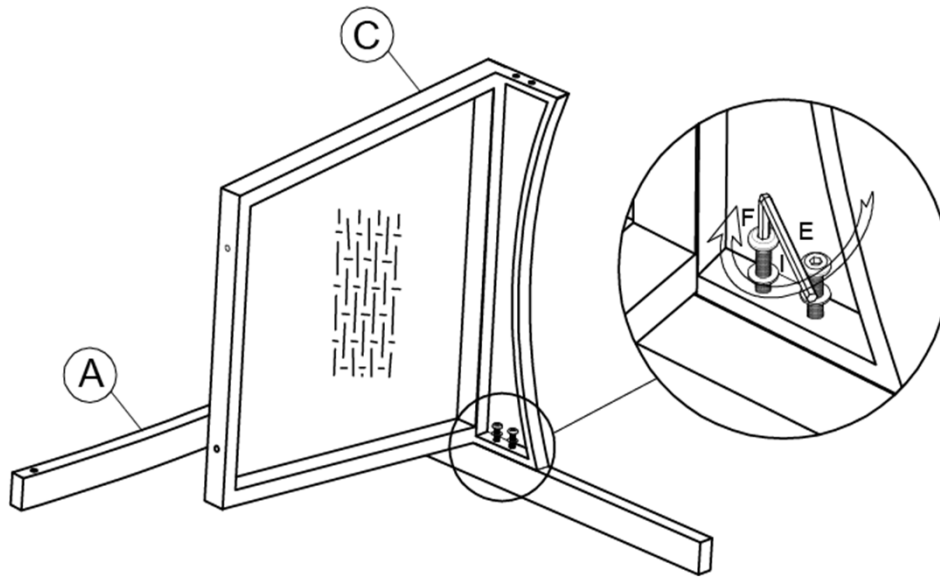
- Assemble on a clean non-marring surface (packing foam)-



- Save all packaging until finished-

# Assembly Steps

## Step 1



Open the carton and place all the parts on a clean, non-marring surface.

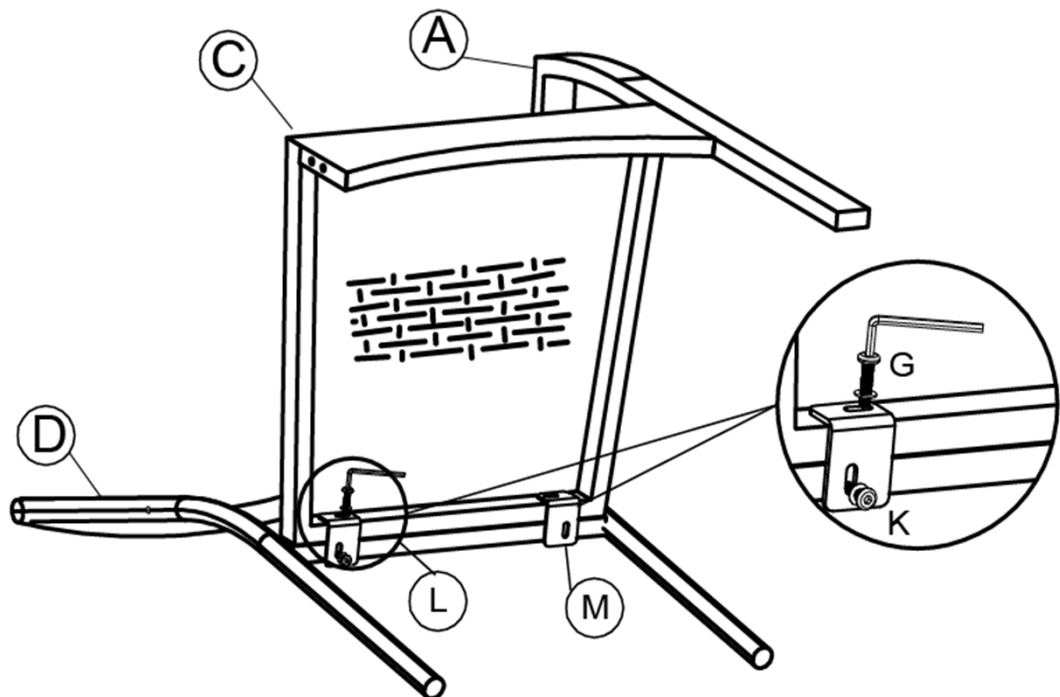
**ATTENTION: Occasionally some of the PE Wicker shifts and covers the mounting positions preventing easy assembly.**

**The PE wicker should never be cut, but moved away from the mounting positions.**

Attach Left Armrest / Leg(A) to the Seat(C) using Bolt(F) and Washer(I) with Allen Key(E) as shown in the picture above.

**Loosely tighten the Bolts.**

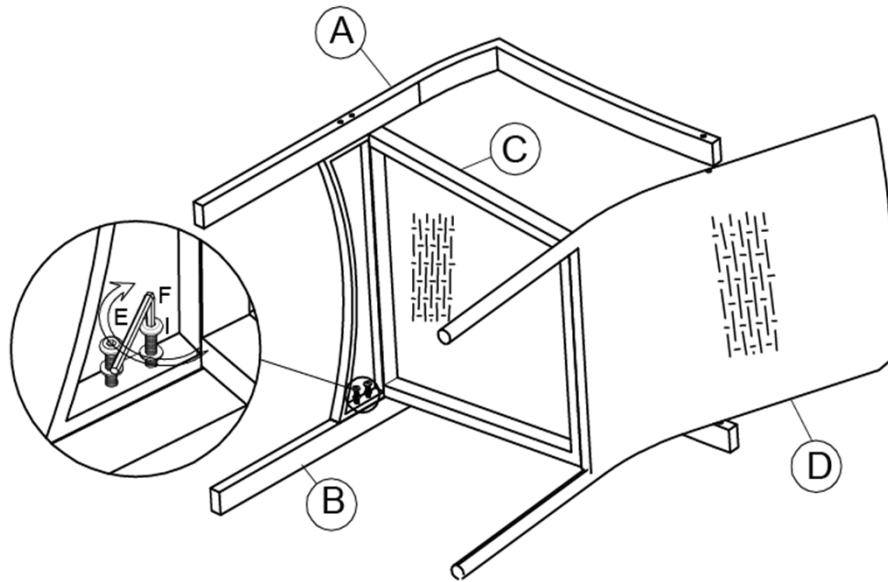
## Step 2



Attach Seat Back(D) to Seat(C) using Washer(I) , Bolt(G&K) & Connection(L&M) with Allen Key(E) as pictured above.

**Loosely tighten the Bolts.**

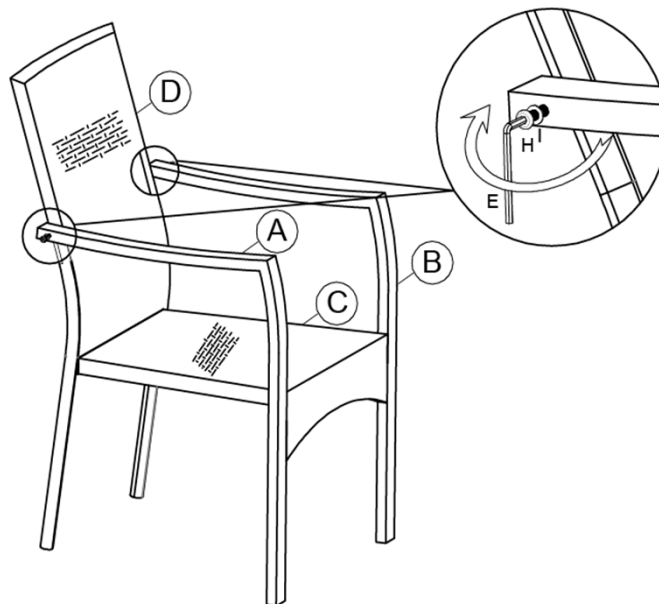
## Step 3



Attach Right Armrest / Leg(B) to Seat(C) using Bolt(F) and Washer(I) with Allen Key(E ) as shown in the picture above.

**Loosely tighten the Bolts.**

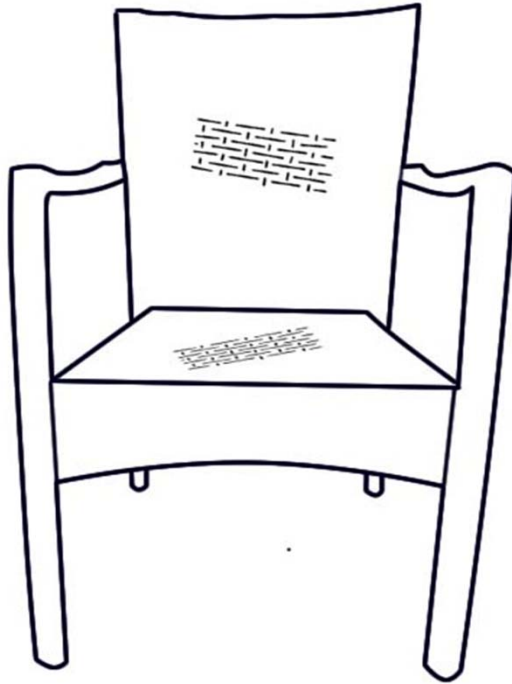
## Step 4



Connect the Chair Legs(A&B) with the Seat Back(D) using Washer(I) and Bolt(H) with Allen Key(E) as pictured above.

**Loosely tighten the Bolts.**

## Step 5



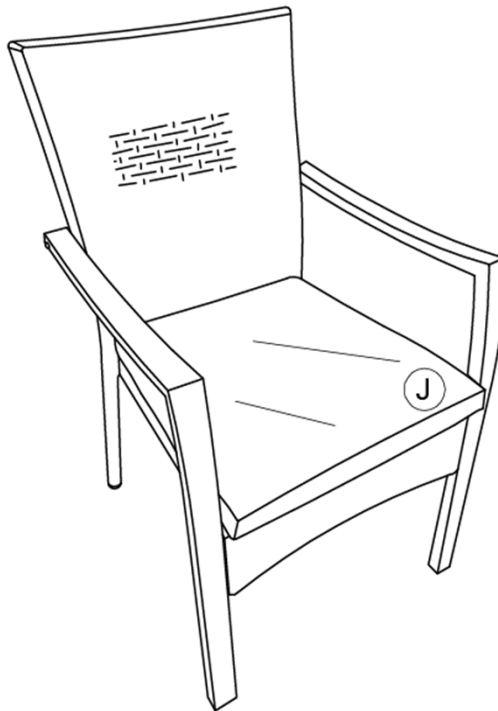
Check for stability and then tighten all Bolts at all joints.

**Note: DO NOT fully tighten a Bolt in one go and then move on to the next.**

**Rather; in a sequential manner, gradually tighten each Bolt until all Bolts are evenly secured.**

**This methodology will ensure maximum evenness once all Bolts are fully tightened.**

## Step 6



Place the Seat Cushion(J) on the Chair.  
Your Chair is ready for use.

## Care & Maintenance



- Do not put hot items directly on furniture surface.



- Do not clean furniture with harsh cleansers or polish.



- To obtain the longest lifespan of your outdoor products, minimizing exposure to direct sunlight is recommended.



- Children should not climb or jump on the furniture.



- Do not write on furniture without a padded barrier to protect the surface.



- To obtain the longest lifespan of your outdoor products, avoid extended and lengthy exposure to rain, snow, and direct sunshine. Whenever possible cover the product and /or place under patio or awnings.



- Not for commercial use. For residential use only .



- Stains may be removed with mild soap solution and damp cloth.



- Dust and pick-up spills using a clean, non-colored, lint-free cloth .