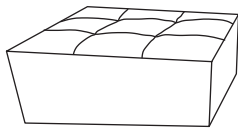


USE AND MAINTENANCE

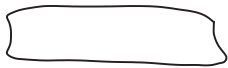
- Use on level surfaces only
- Because this product needs assembly, it is prone to working itself loose from time to time depending on the use. Please take the time to check that all connections are still tight and working properly for safety.
- Only clean using a damp cloth and mild detergent, do not use bleach or abrasive cleaners.

Sleeper Convertible Ottoman

PART LIST



1 - Ottoman Base x2



2 - Pillow x2

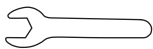
HARDWARE



A - Bolt x2



B - Washer x4

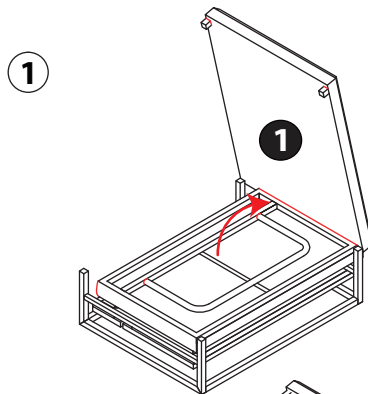


C - Wrench x1

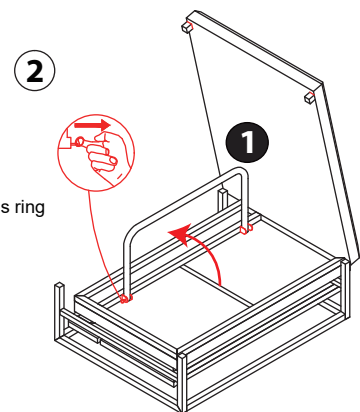


D - Nut x4

Assembly Instructions

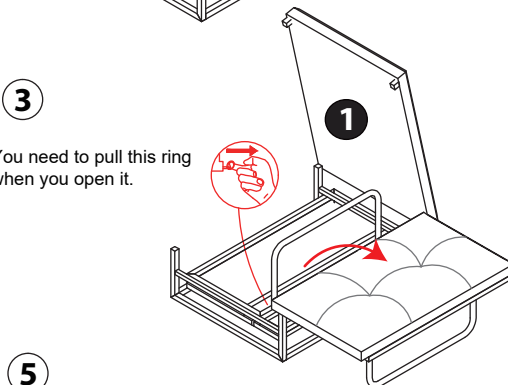


1



2

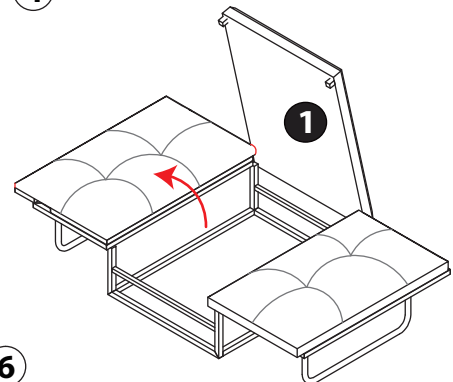
You need to pull this ring when you open it.



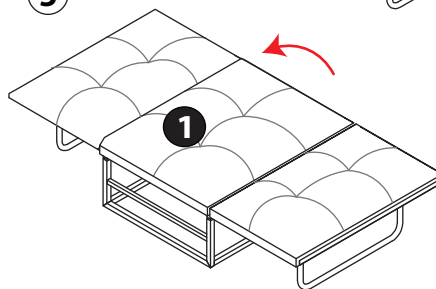
3

You need to pull this ring when you open it.

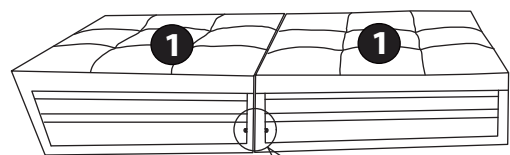
4



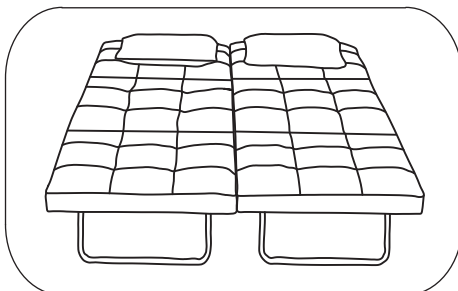
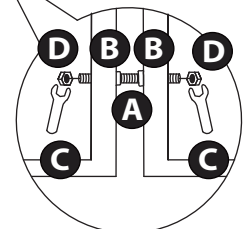
5



6



Install 1 into D(x4) into B(x4) into A(x2) into 1.



Congratulations! Setup of your new Sleeper Convertible Ottoman is Complete! Keep these instructions for future reference.