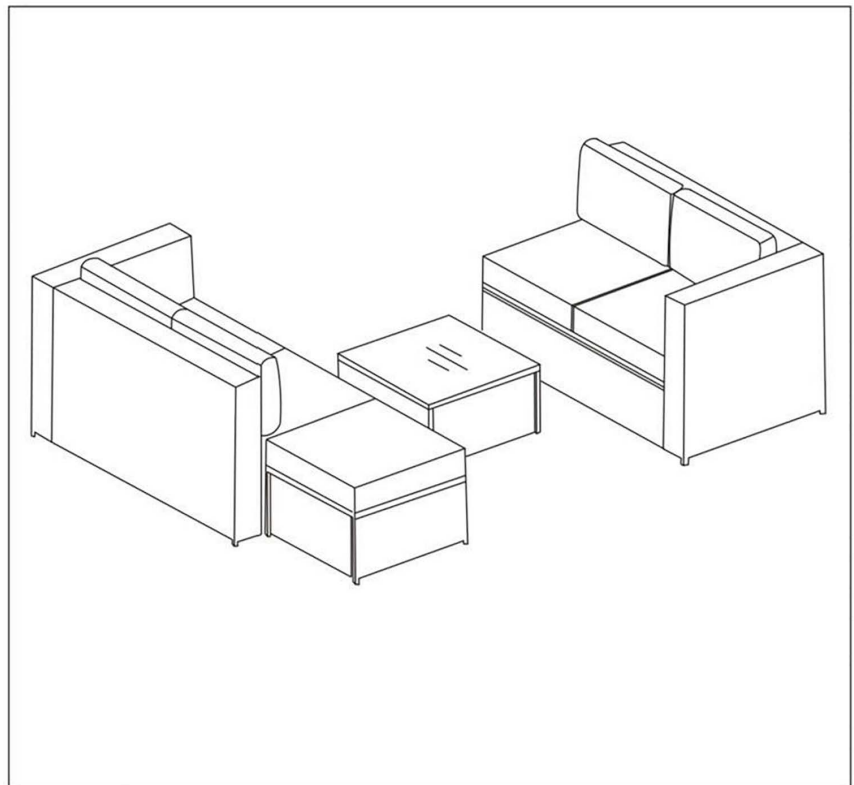
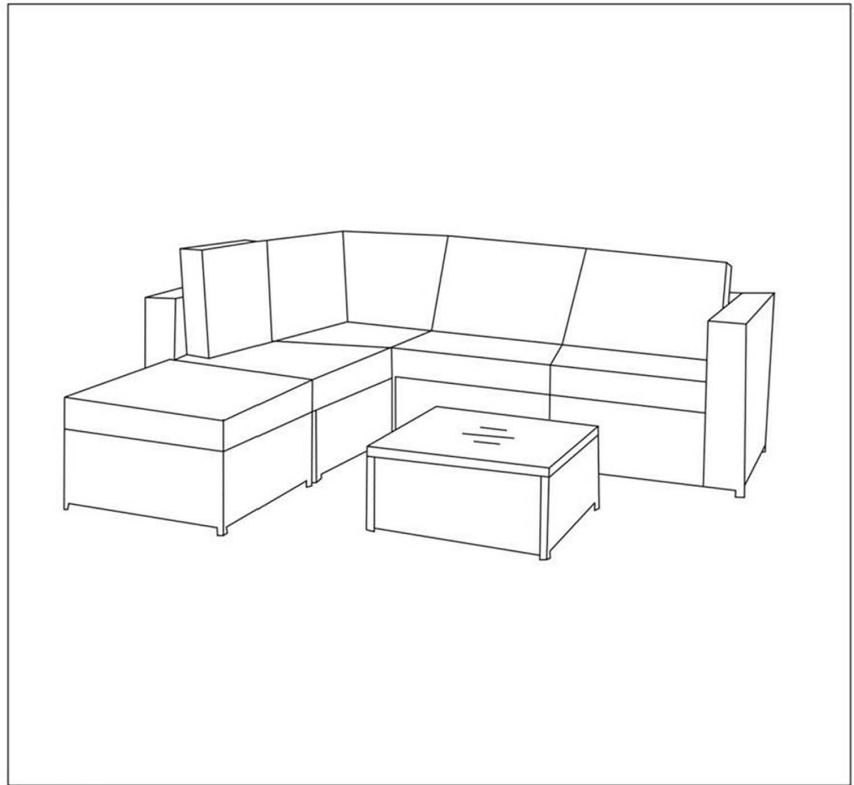
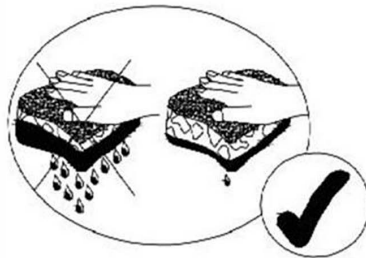
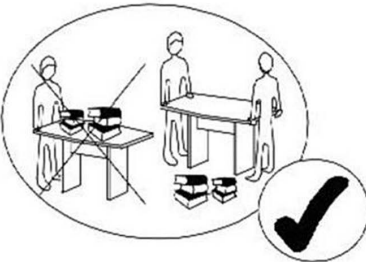
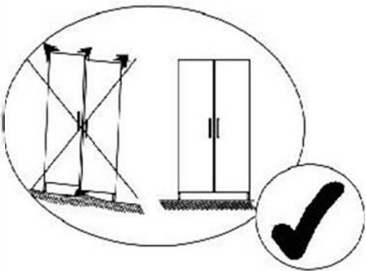
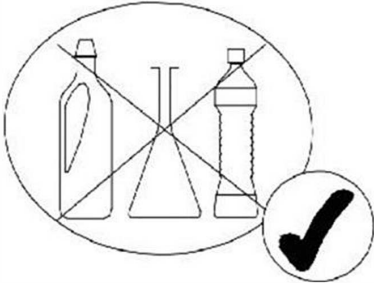


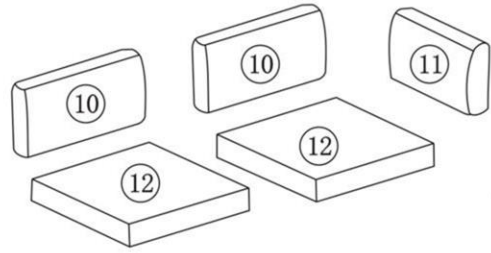
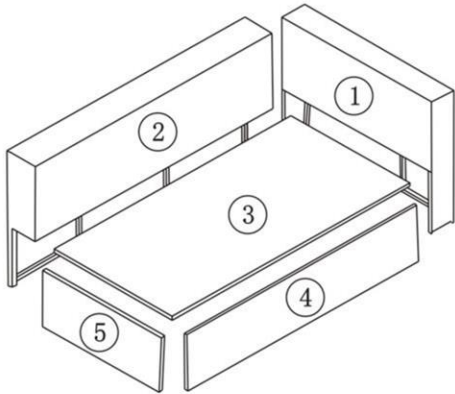
## PE Rattan Corner Sofa Set



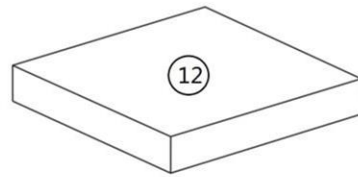
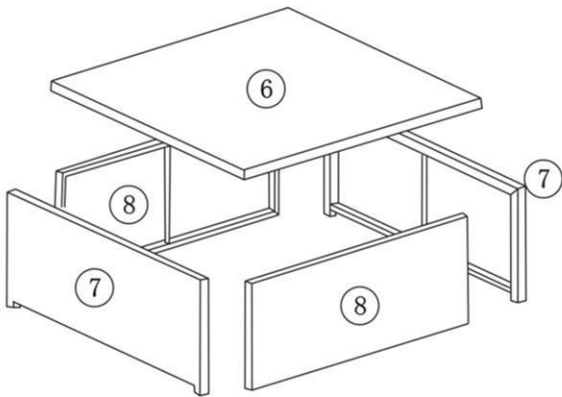
READ INSTRUCTIONS BEFORE ASSEMBLY  
AND SAVE FOR FUTURE REFERENCE

- 1.PLEASE SEPARATE AND IDENTIFY ALL PARTS AND MAKE SURE THAT YOU HAVE ALL PARTS LISTED.
- 2.TO AVOID SCRATCHES DURING ASSEMBLY, PLEASE ASSEMBLE ON A SOFT MAT OR SIMILAR MATERIAL.
- 3.DO NOT ALLOW CHILDREN TO PLAY WITH PLASTIC WRAPS OR SMALL PARTS TO PREVENT POTENTIAL CHOKING HAZARD.
- 4.USE THE CORRECT BOLTS AS INDICATED. DO NOT TIGHTEN ANY OF THE BOLTS UNTIL THE FURNITURE IS COMPLETELY ASSEMBLED.

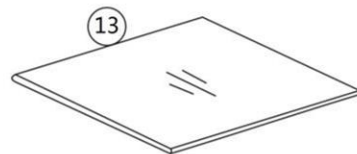
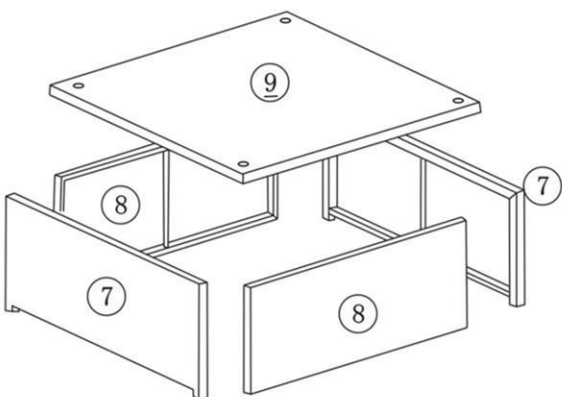


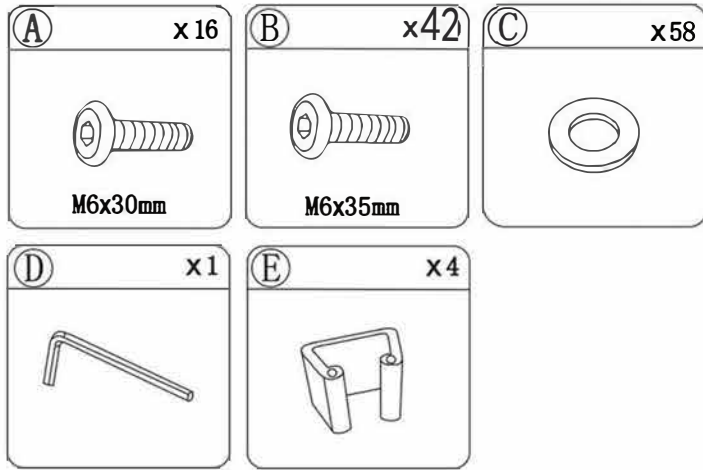


Two seat corner sofa 2pcs



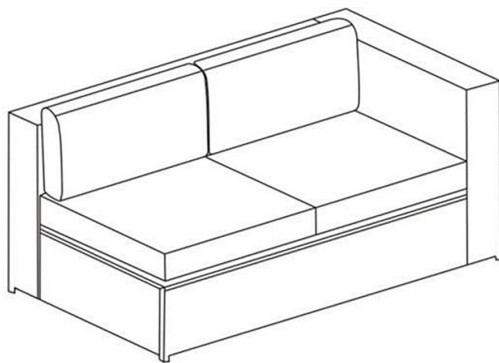
Footstool 1pc



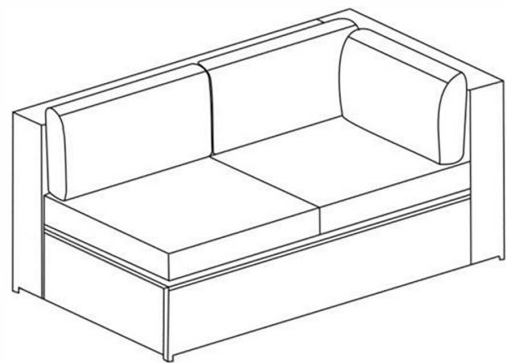


①	2pcs	⑧	4pcs
②	2pcs	⑨	1pc
③	2pcs	⑩	4pcs
④	2pcs	⑪	1pc
⑤	2pcs	⑫	5pcs
⑥	1pc	⑬	1pc
⑦	4pcs		

## Two seat corner sofa 2pcs

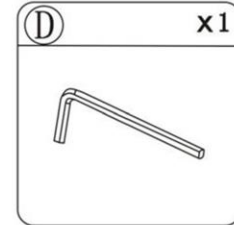
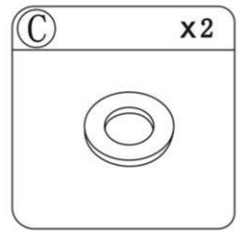
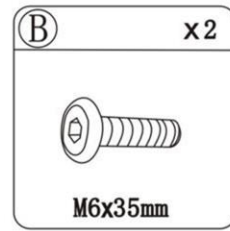
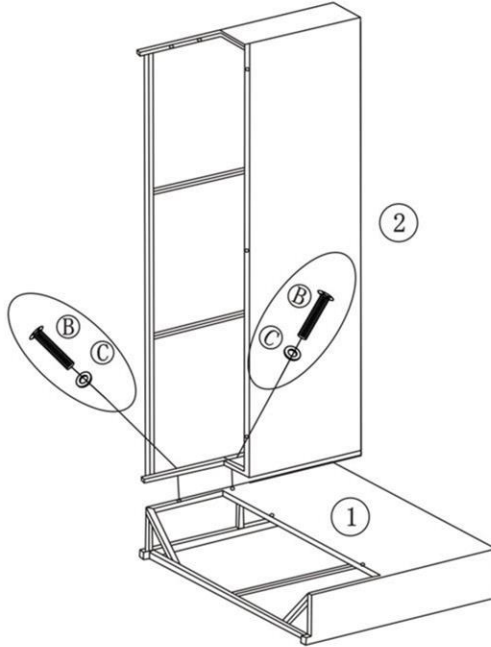


or

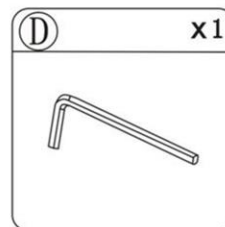
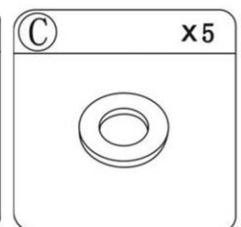
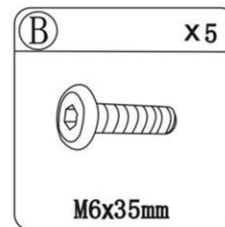
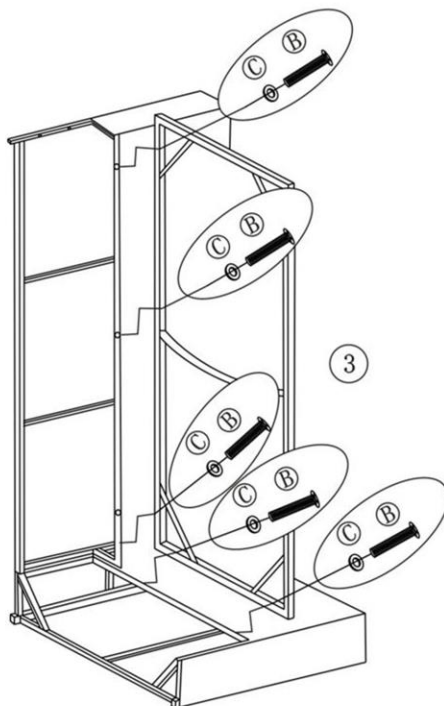


## Step1 Two seat corner sofa 2pcs

USE THE CORRECT BOLTS AS INDICATED. DO NOT TIGHTEN ANY OF THE BOLTS UNTIL THE FURNITURE IS COMPLETELY ASSEMBLED.

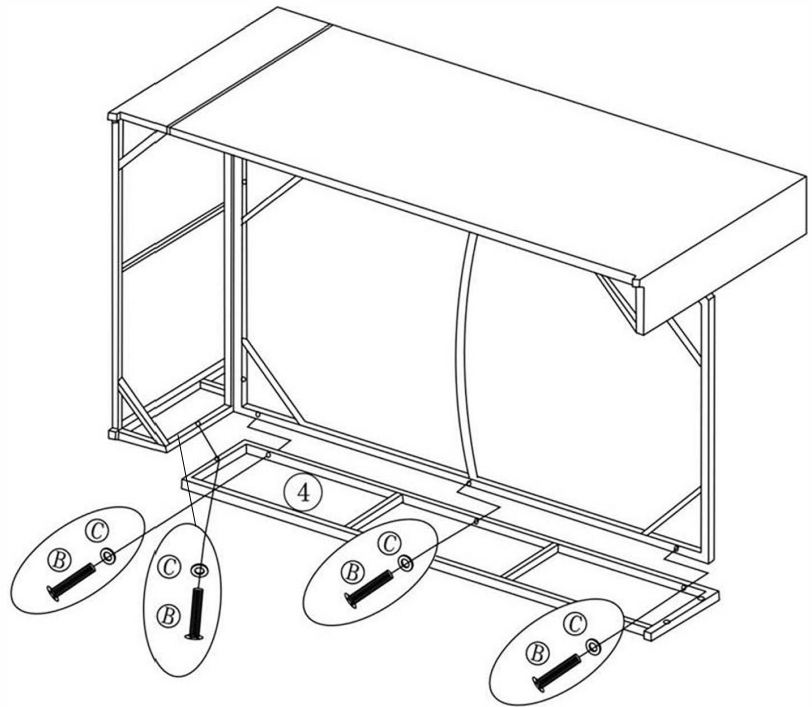
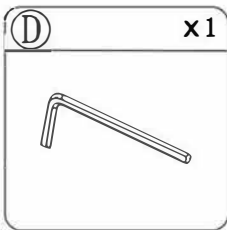
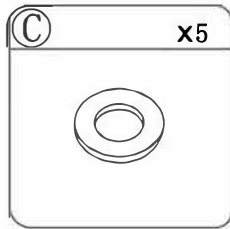
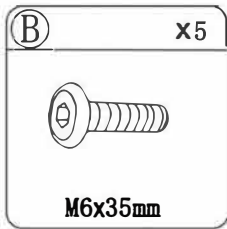
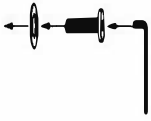


## Step2 Two seat corner sofa 2pcs

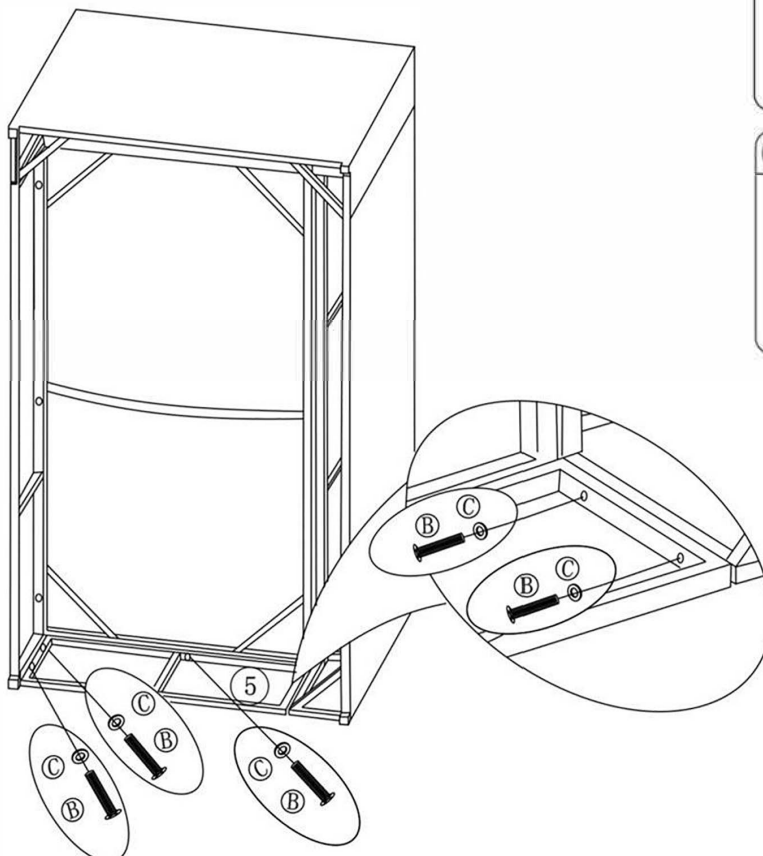
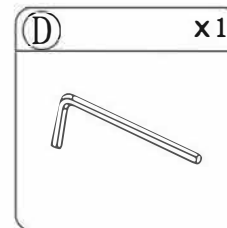
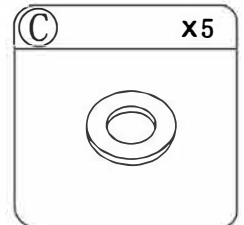
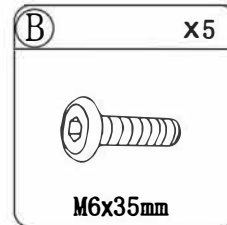


### Step3 Two seat corner sofa 2pcs

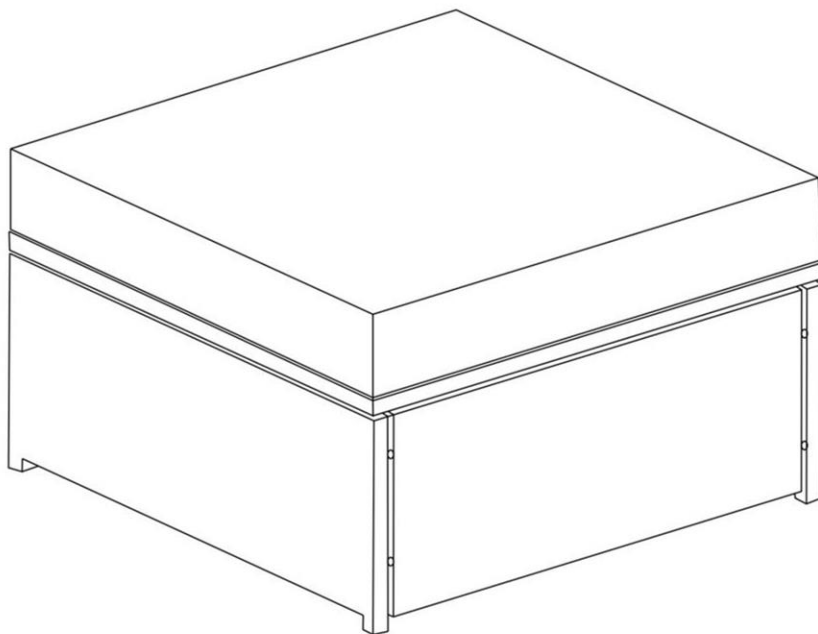
USE THE CORRECT BOLTS AS INDICATED. DO NOT TIGHTEN ANY OF THE BOLTS UNTIL THE FURNITURE IS COMPLETELY ASSEMBLED.



### Step4 Two seat corner sofa 2pcs



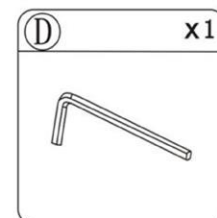
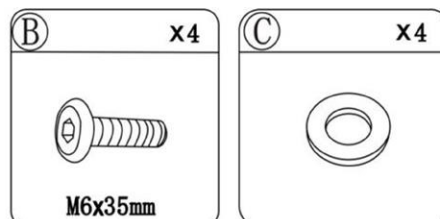
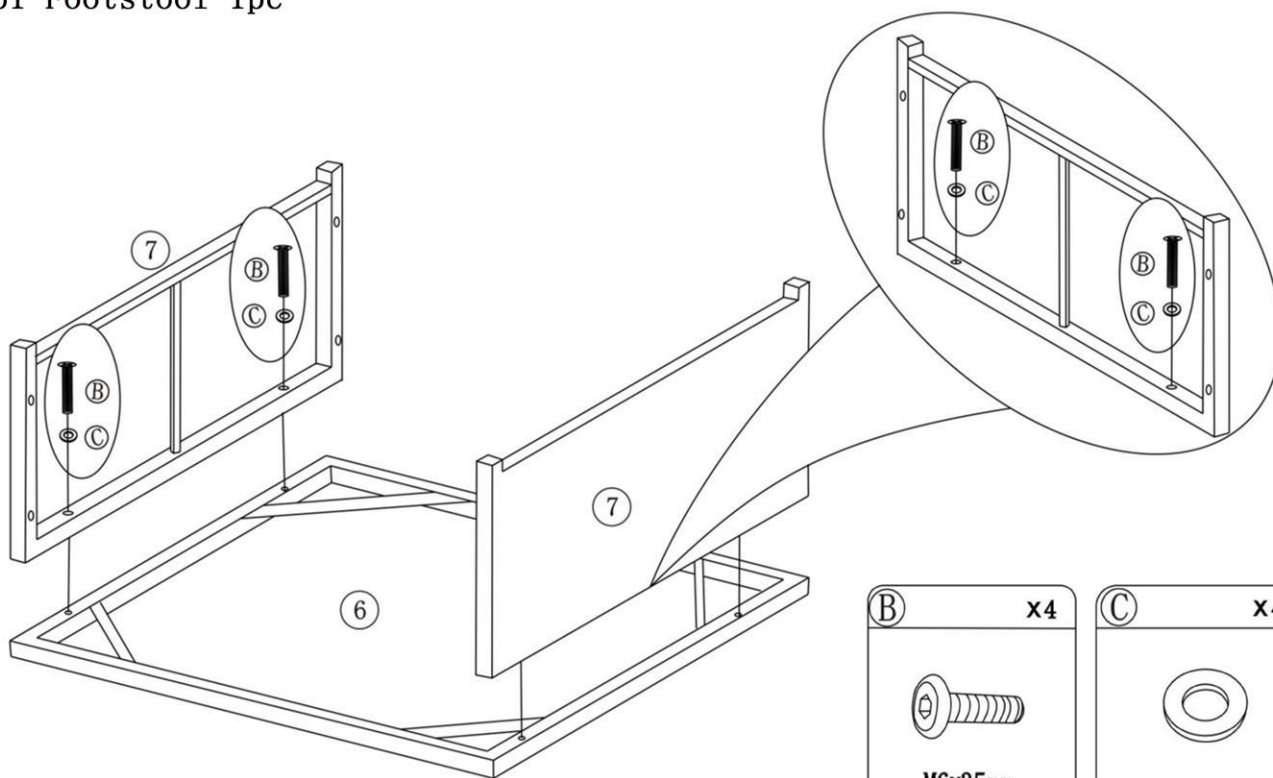
# Footstool 1pc



USE THE CORRECT BOLTS AS INDICATED. DO NOT TIGHTEN ANY OF THE BOLTS UNTIL THE FURNITURE IS COMPLETELY ASSEMBLED.

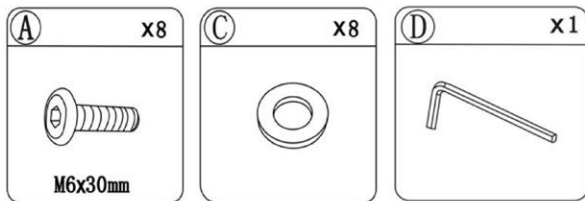
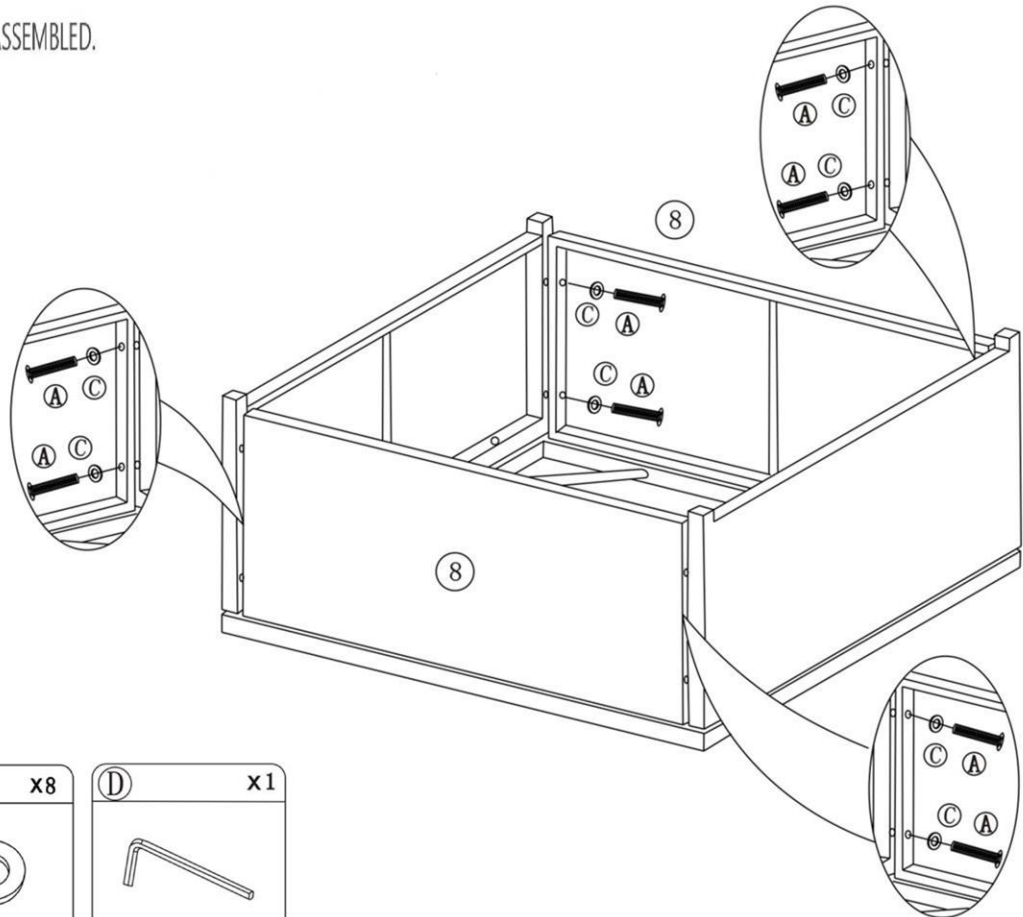


## Step1 Footstool 1pc

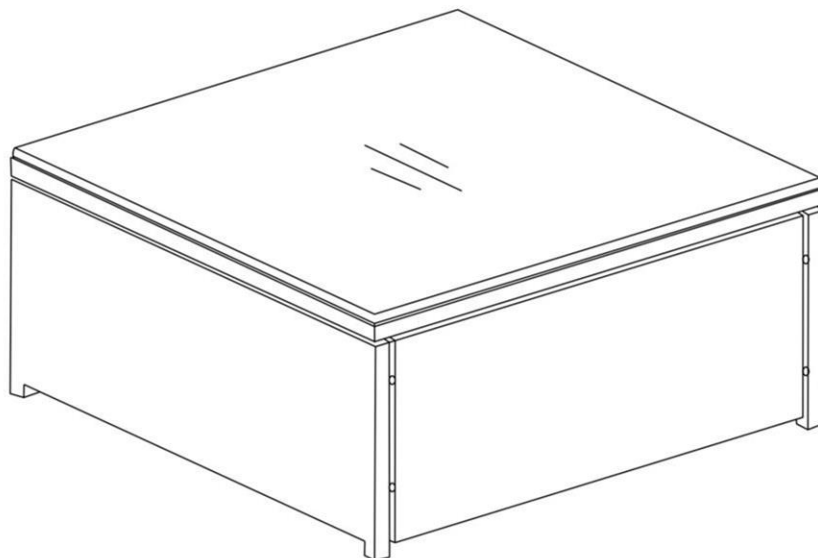


## Step2 Footstool 1pc

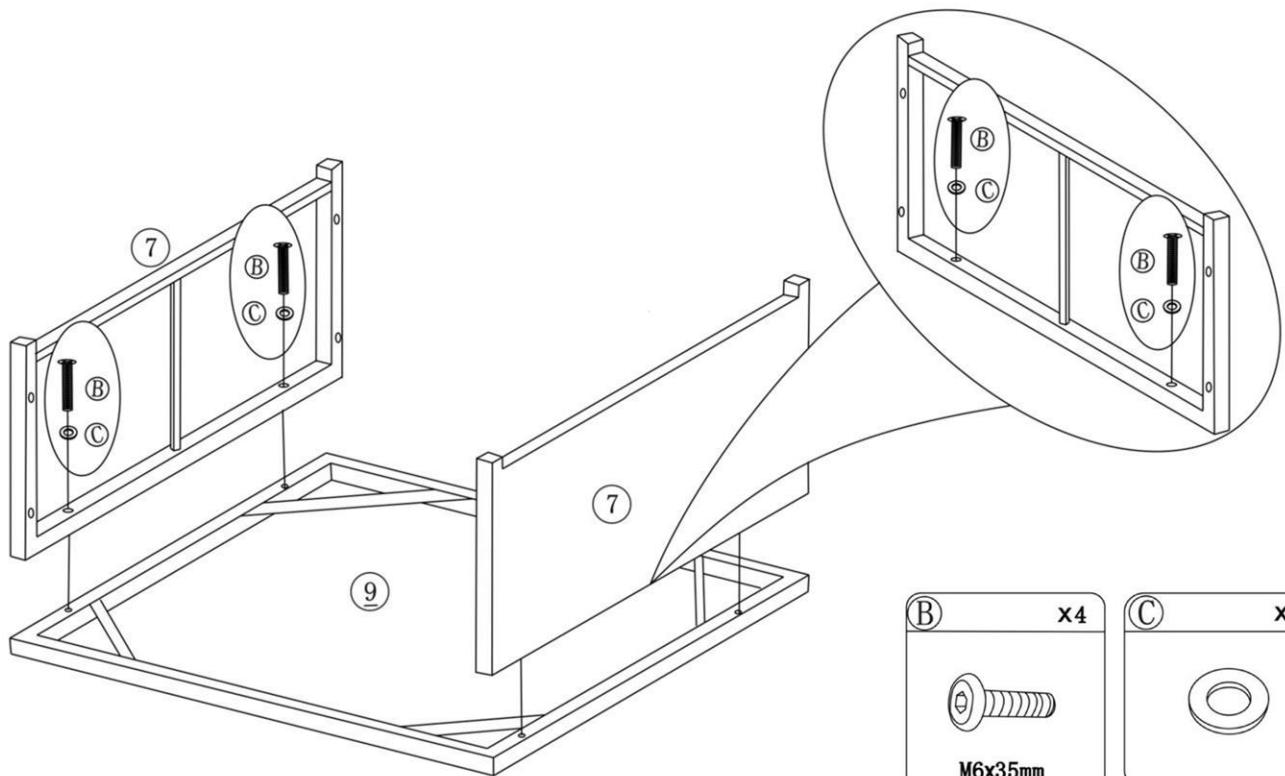
USE THE CORRECT BOLTS AS INDICATED. DO NOT TIGHTEN ANY OF THE BOLTS UNTIL THE FURNITURE IS COMPLETELY ASSEMBLED.



## Coffee table 1pc



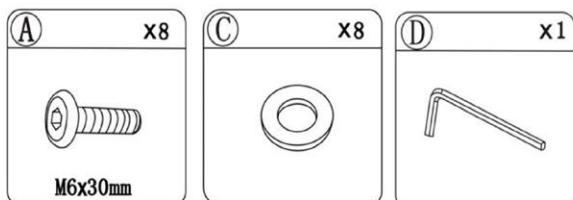
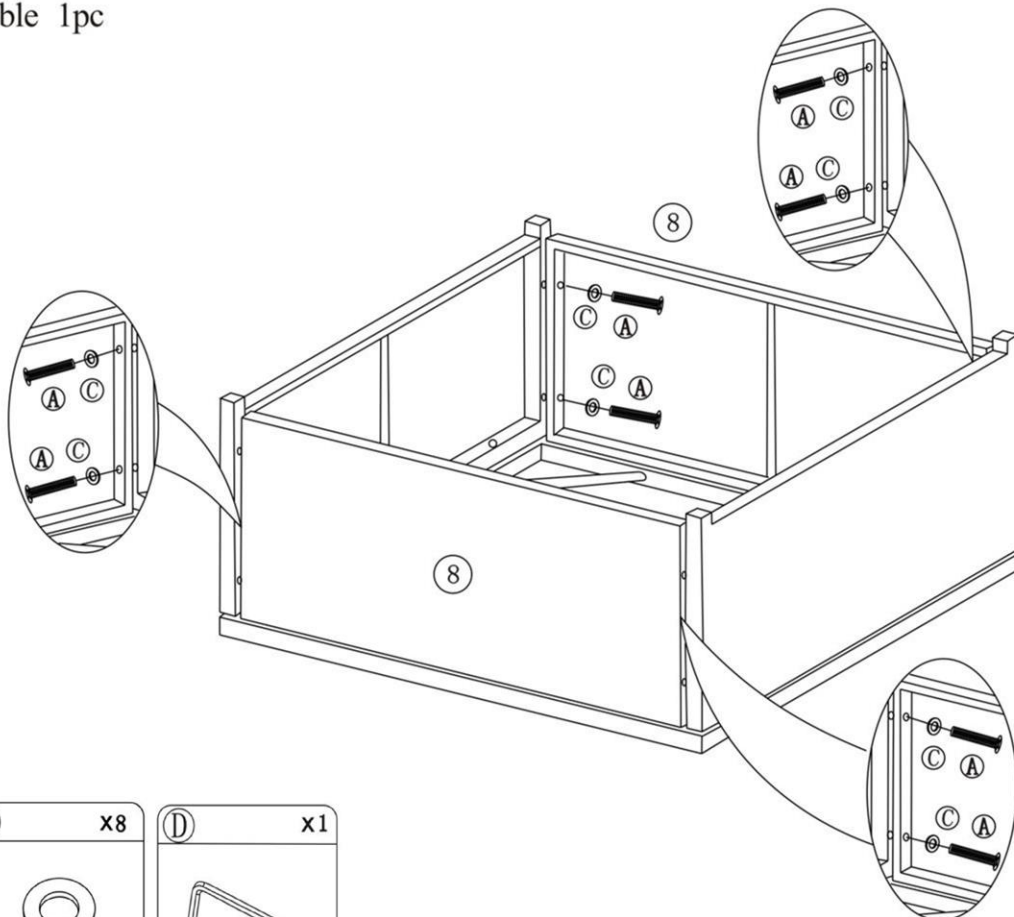
## Step1 Coffee table 1pc



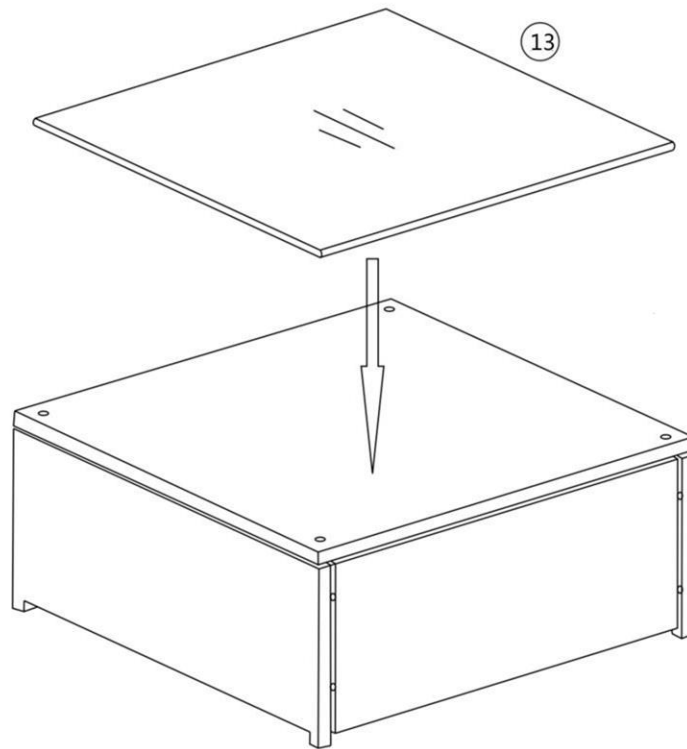
USE THE CORRECT BOLTS AS INDICATED. DO NOT TIGHTEN ANY OF THE BOLTS UNTIL THE FURNITURE IS COMPLETELY ASSEMBLED.



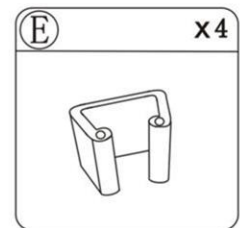
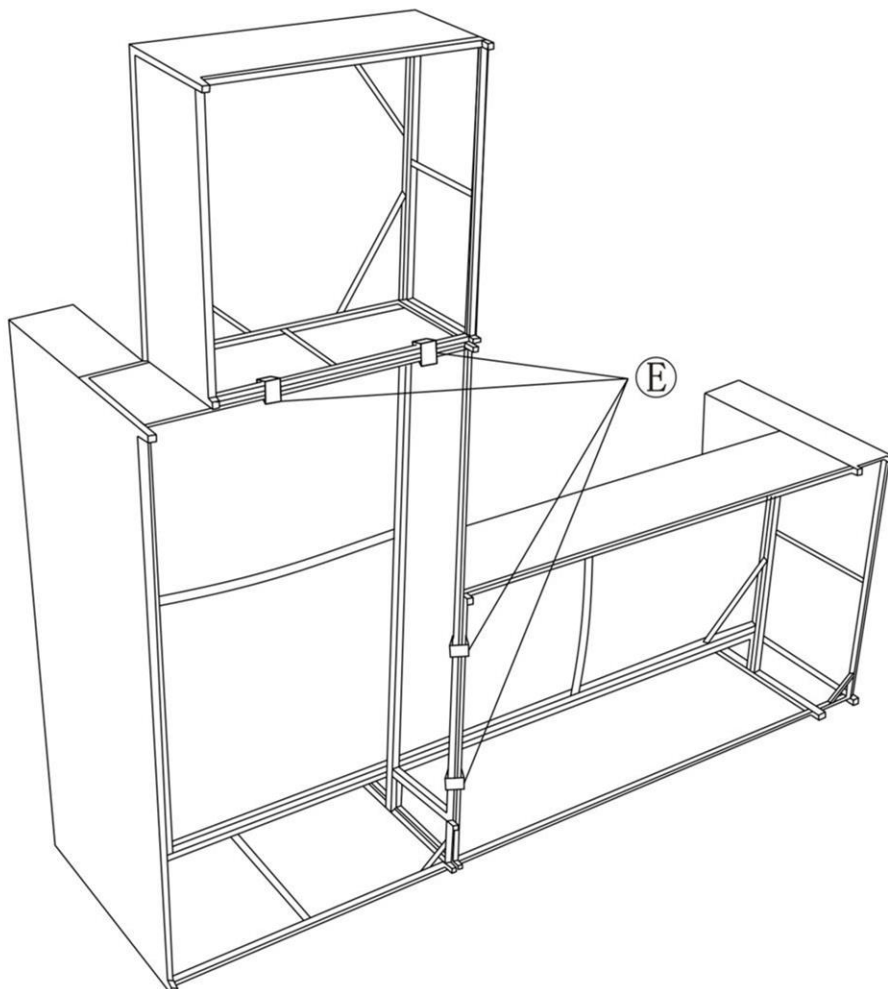
## Step2 Coffee table 1pc



Step3 Coffee table 1pc



Footstool & Two seat corner sofa



# ASSEMBLY INSTRUCTION

---



## CARE AND MAINTENANCE

1. OVER TIME, THE COLOR OF THE CUSHIONS WILL FADE UNDER PROLONGED OUTDOOR EXPOSURE. THIS IS CONSIDERED NORMAL WEAR.
2. FOR BEST COLOR PRESERVATION, KEEP CUSHIONS INDOORS WHEN NOT IN USE.
3. TO CLEAN CUSHIONS OR COVERS, USE A MILD SOLUTION OF SOAP AND WATER, RINSE WITH CLEAN WATER, AND PAT OUT EXCESS MOISTURE WITH A DRY TOWEL.
4. DO NOT USE ACIDIC SOLUTIONS ON THE TABLE TOP SURFACE AS THIS WILL CAUSE DAMAGE. IF THERE ARE ANY WINE OR VINEGAR LIQUID SPILLS, USE WATER TO CLEAN AND DRY THE SURFACE IMMEDIATELY.
5. DO NOT ALLOW WATER TO BUILD UP IN THE FRAMES. THIS WILL CAUSE CORROSION AND POSSIBLE FREEZING DAMAGE IN COLD CLIMATES.
6. TREAT THE FRAMES WITH A LIQUID WAX FOR MAXIMUM PROTECTION AGAINST UV RAYS AND/OR SALTY, DAMP AIR.