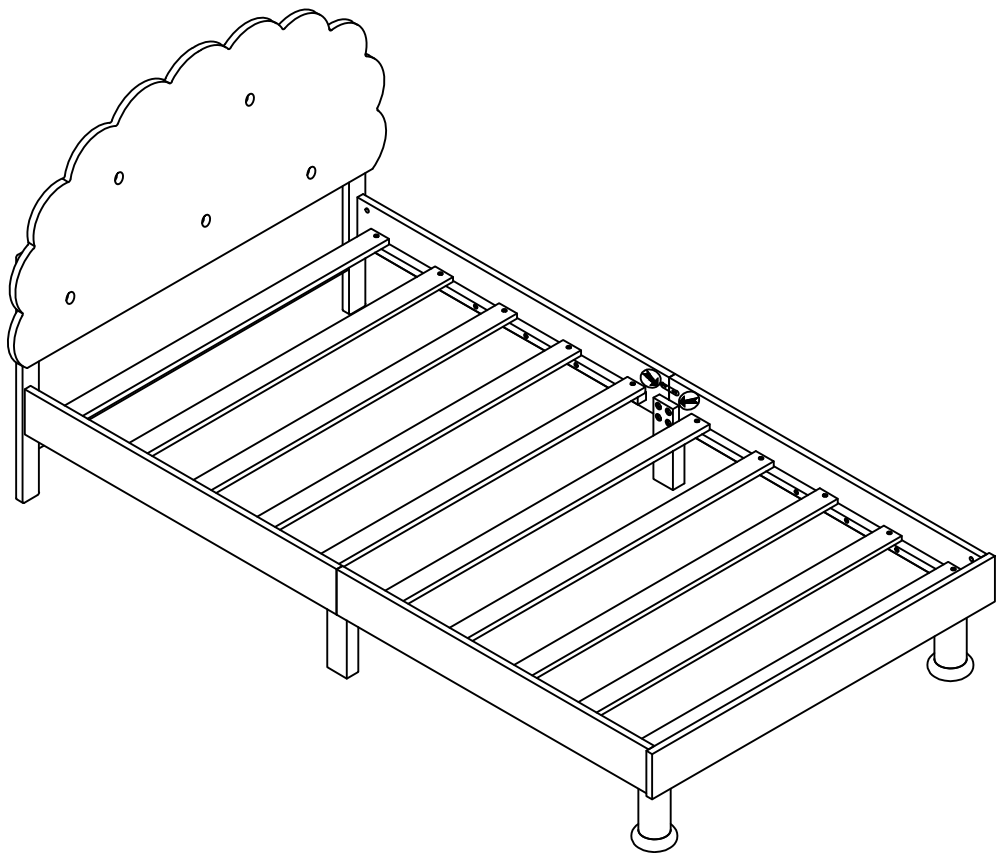


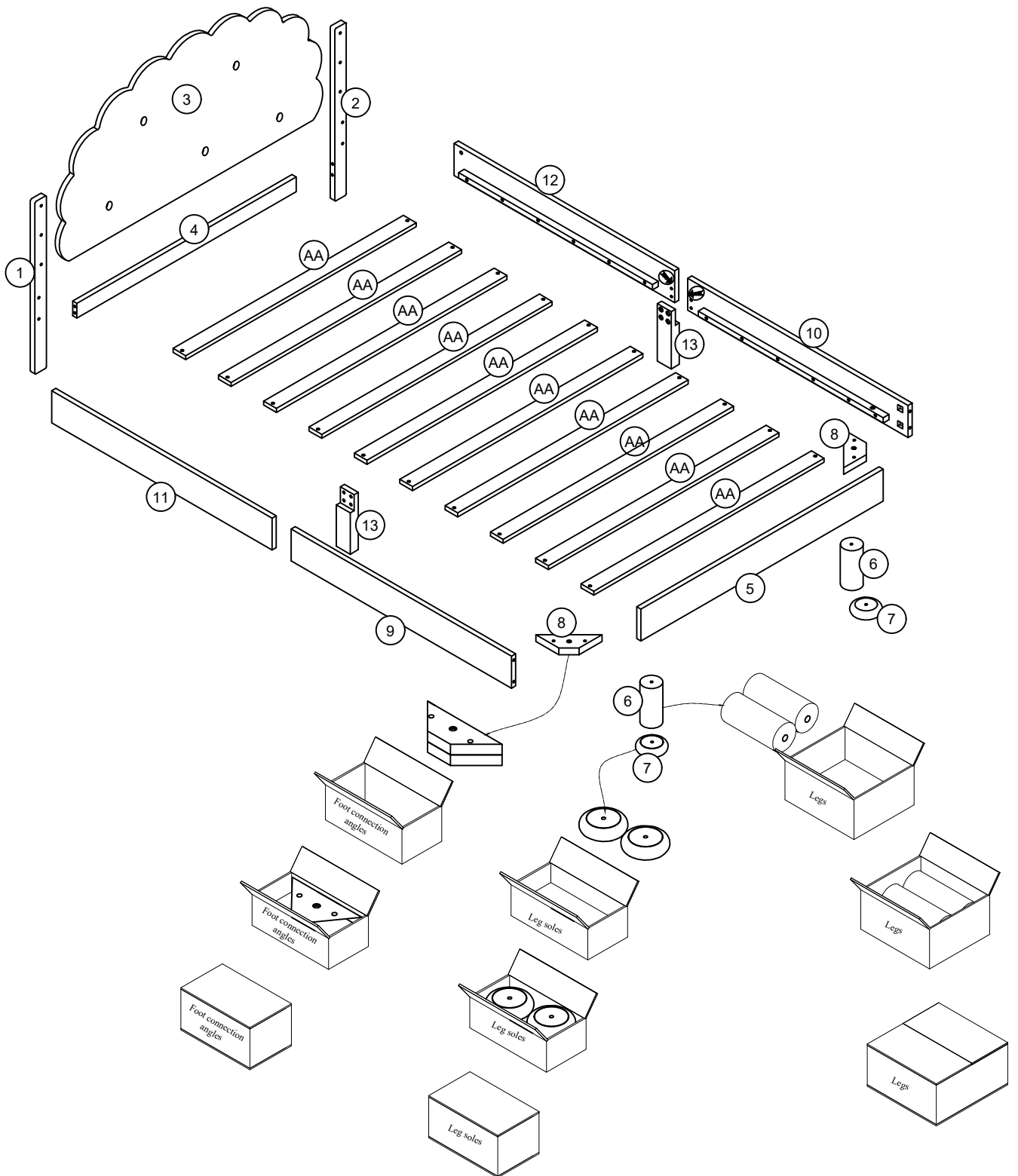
ASSEMBLY INSTRUCTIONS

COOKIE BED

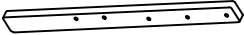
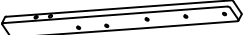
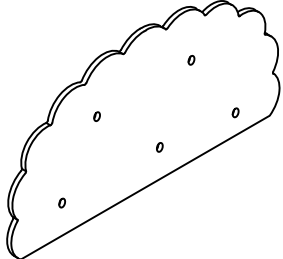










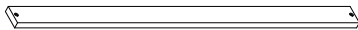


This set is included 1 boxes if don't receive full 1 boxes please contact our customer service team.

Detail View













Part List :

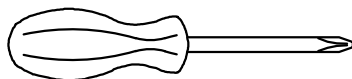
1  Left Hind Leg-1pc	2  Right Hind Leg-1pc	3  High Headboard-1pc
4  Lower Horizontal Bar-1pc	5  Footboard-1pc	
6  Low Head Legs-2pcs	7  Low Head Legs-2pcs	8  Foot connection angle-2pcs
9  Left front bed shoulder -1pc	10  Right front bed shoulder -1pc	11  Left rear bed shoulder-1pc
12  Right rear bed shoulder-1pc	13  Middle leg-2pcs	AA  Slat-10pcs

Part List :

Hardware List

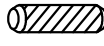


A  Ø 8 x 30mm Wood dowel =2pcs	B  Ø1/4" x 60mm Hex-Head bolt=4pcs	C  Ø1/4" x 40mm Hex-Head bolt=14pcs
D  Ø1/4" x 25mm Hex-Head bolt=14pcs	E  Flat washers =6pcs	F  Ø1/4" x Ø10 x 13mm Cross nut =4pcs
G  Bonded iron pat=2pcs	H  #3.5 x 15mm Screw=8pcs	I  #4 x 25mm Screw=20pcs
K  K4mm Allen key (1pc)		

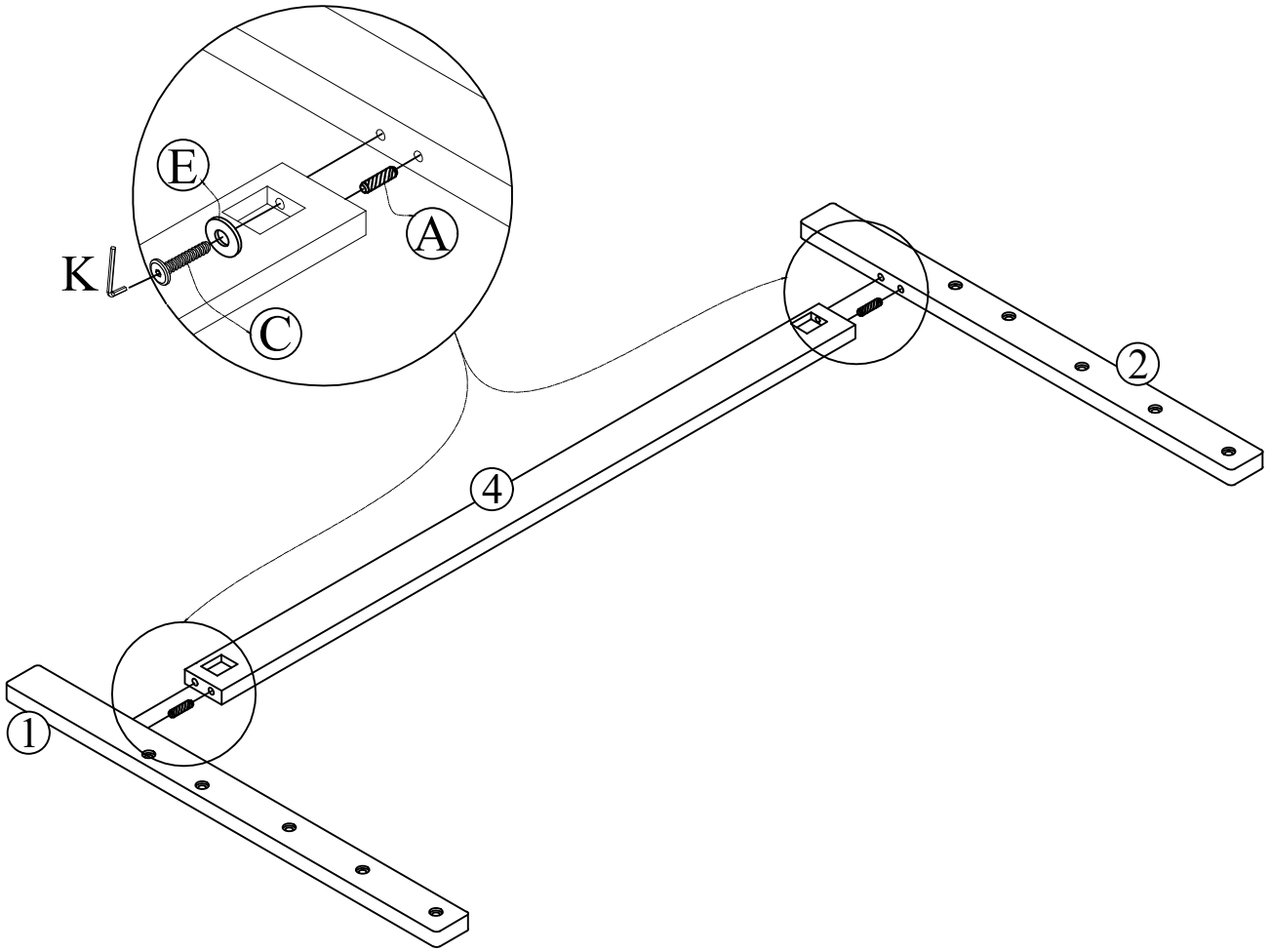
ASSEMBLY TOOLS REQUIRED (NOT INCLUDED)



PLEASE BE CAREFUL DO NOT DAMAGE THE HOLE POSITION WHEN YOU USE POWER TOOLS !

STEP 1:

A	E	C
		
2PCS	2PCS	2PCS

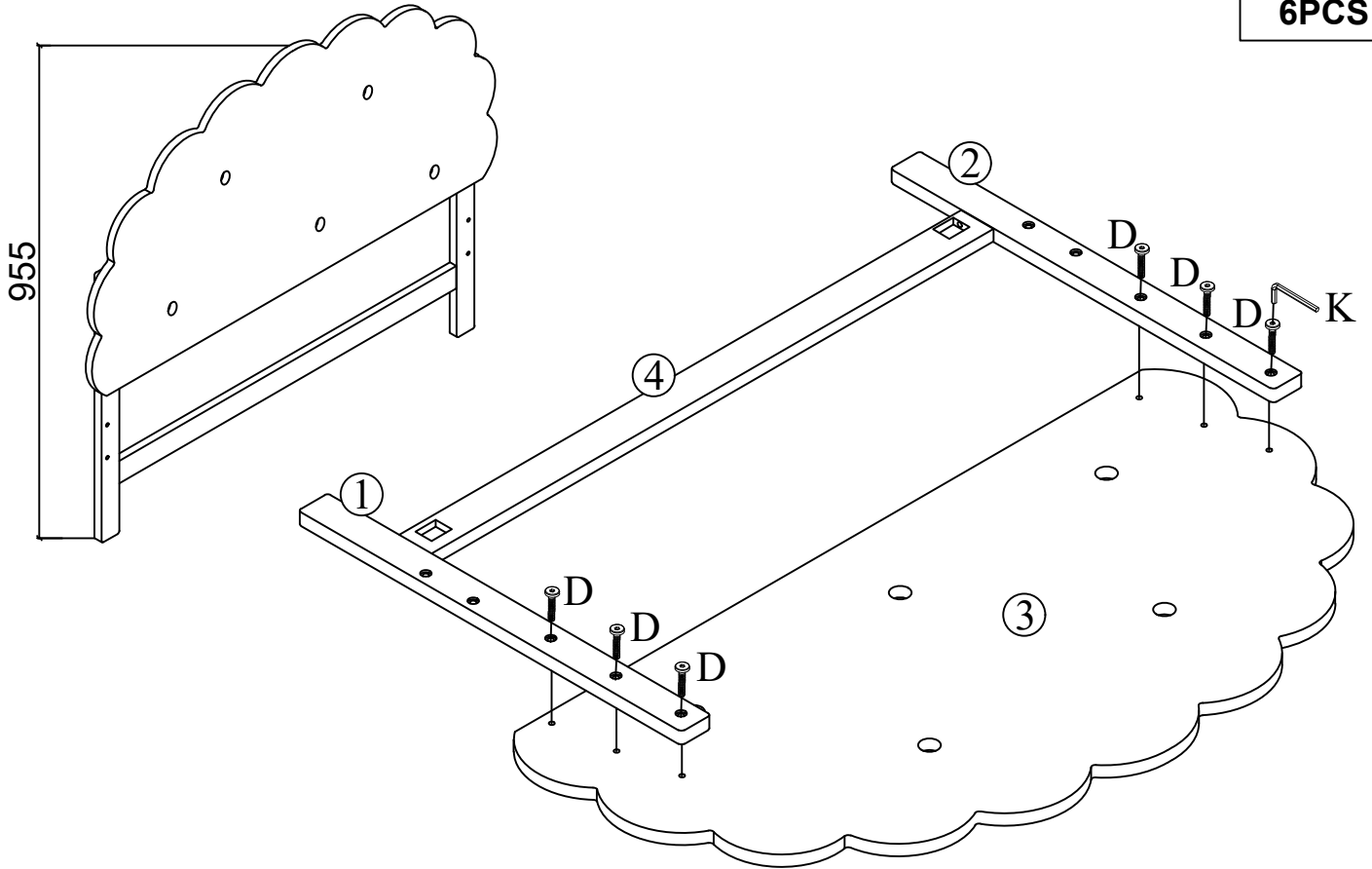


STEP 2: (Option1)

D



6PCS

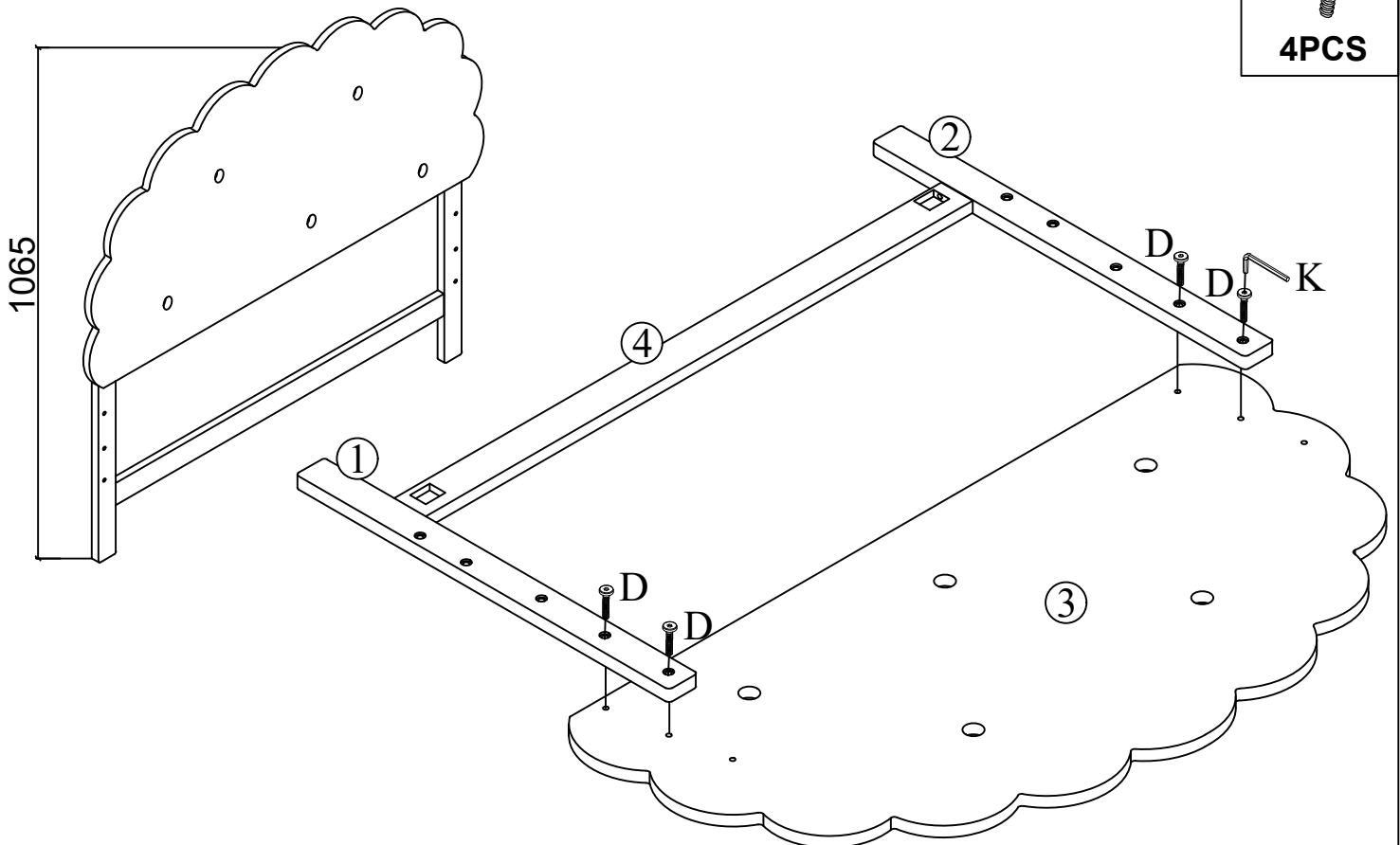


STEP 2: (Option2)

D



4PCS

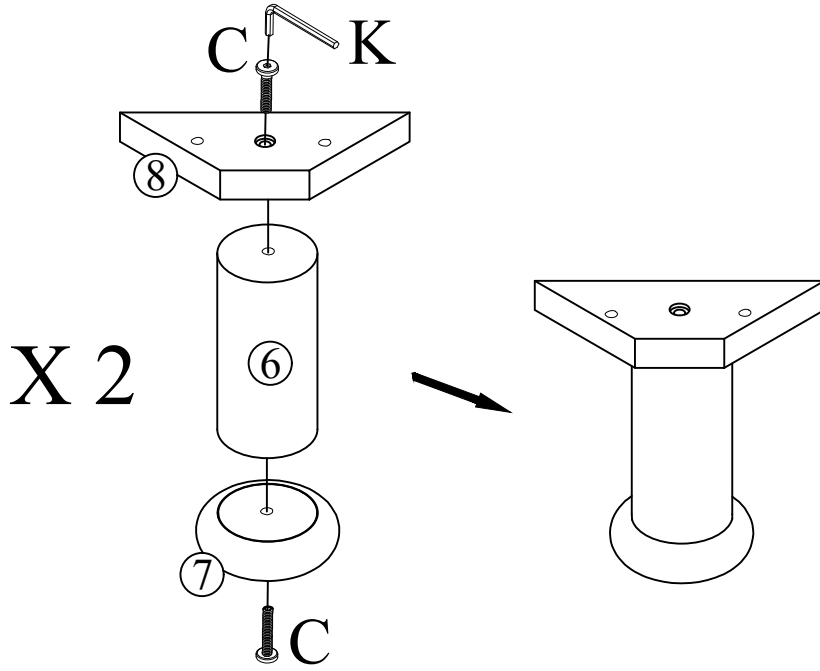


STEP 3:

C



2PCS



X 2

STEP 4:

H



8PCS

G

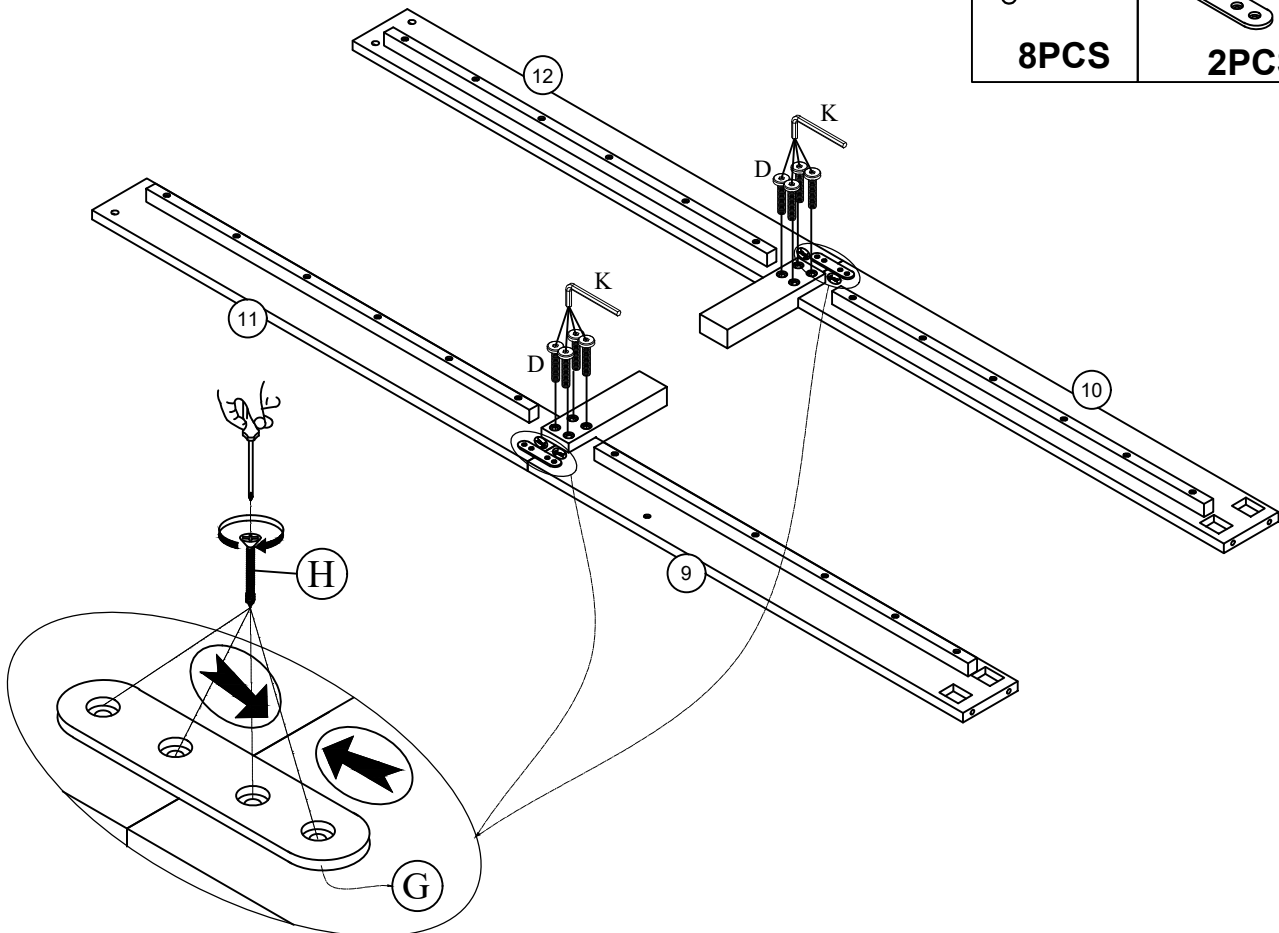


2PCS

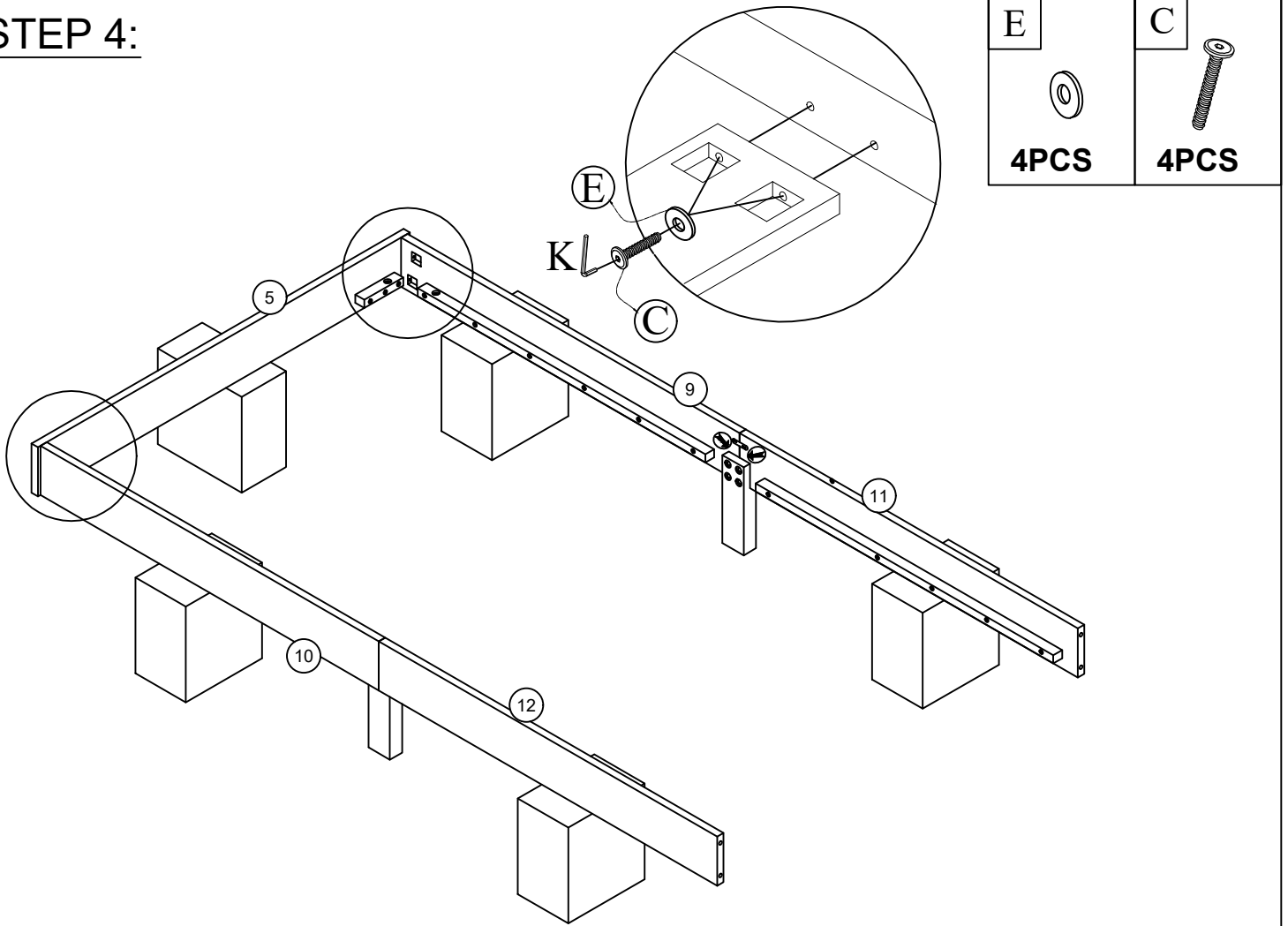
D



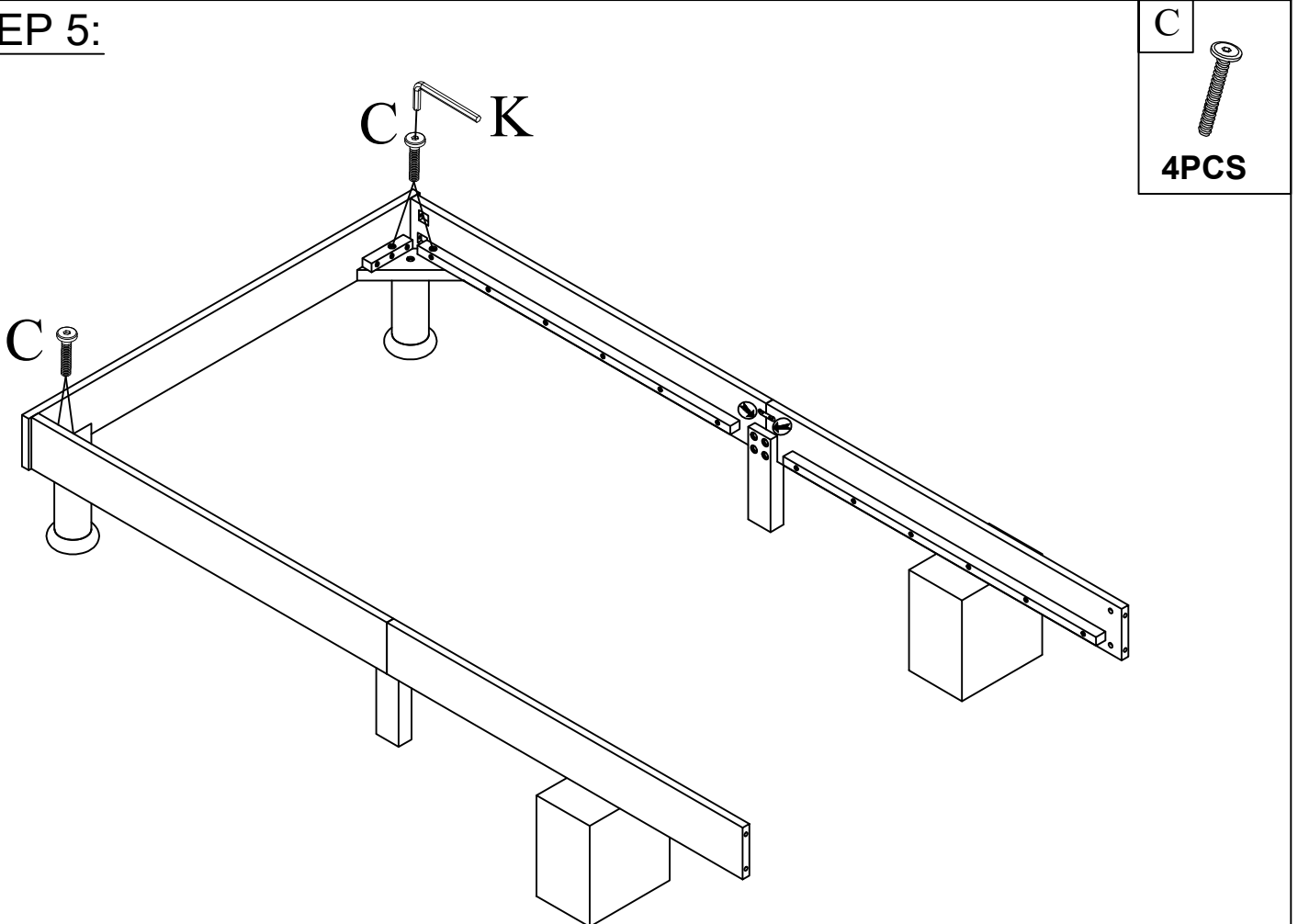
8PCS



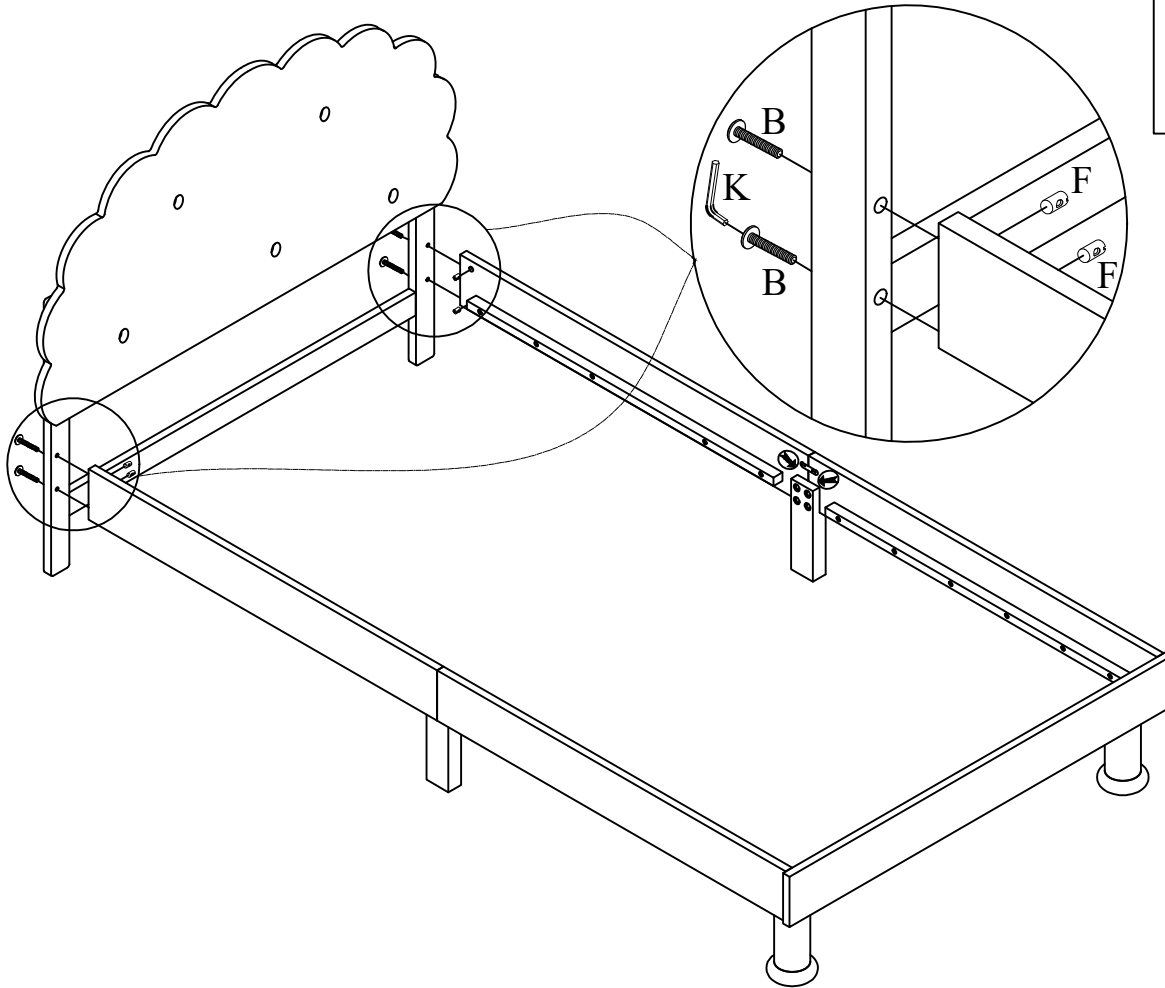
STEP 4:





STEP 5:

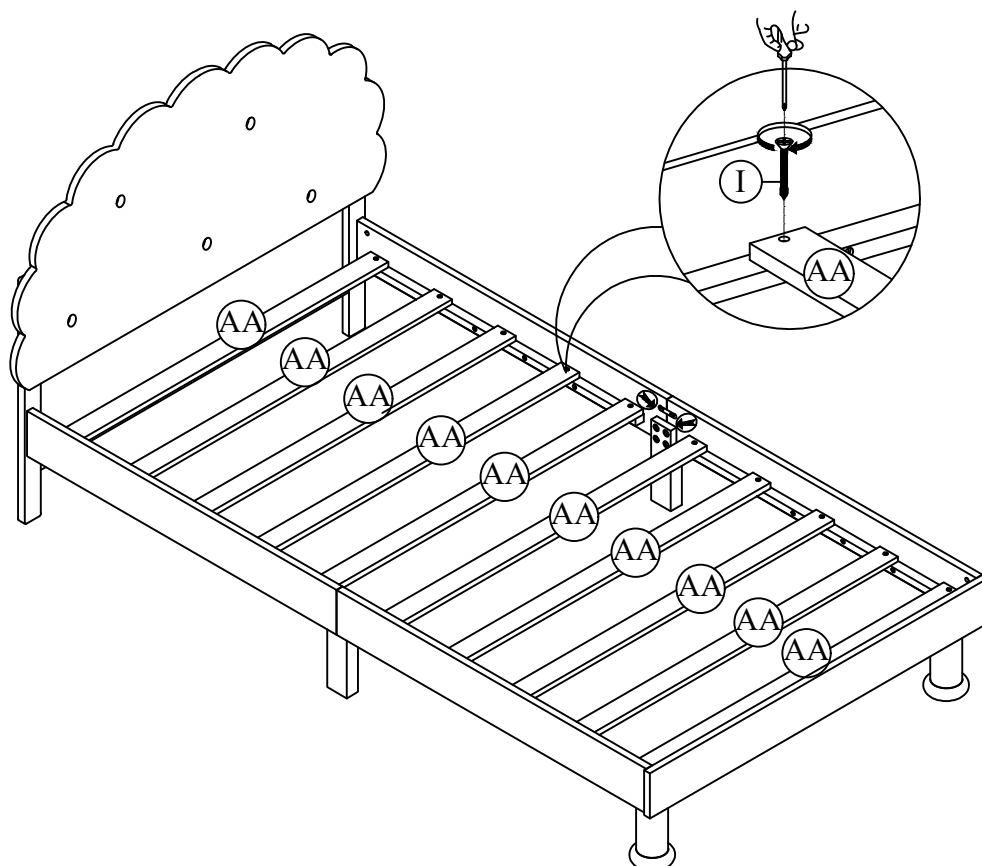



STEP 6:



F	B
	
4PCS	4PCS

STEP 7:



I

20PCS