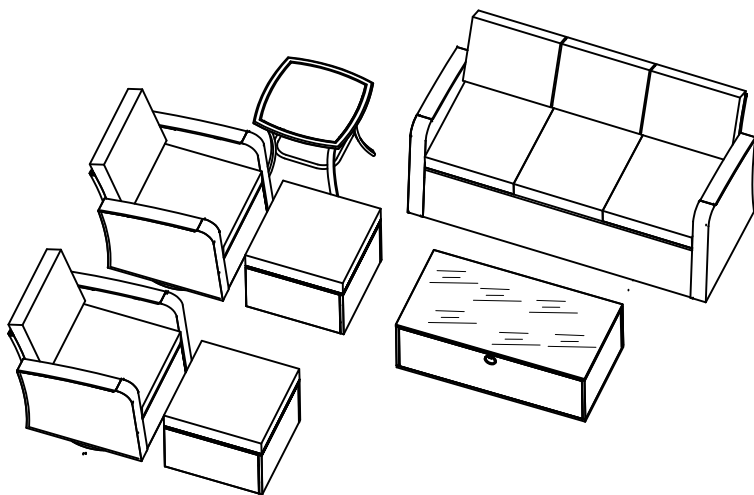


7 PIECES PATIO CONVERSATION SET  
ASSEMBLY INSTRUCTIONS  
YS251188 SERIES



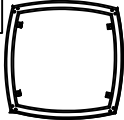


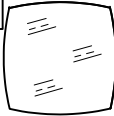
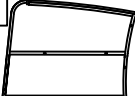
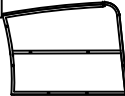
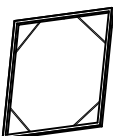
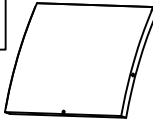


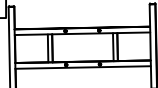


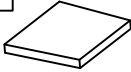




# ATTENTION

THANKS FOR CHOOSING OUR PRODUCTS!

- 1.This 7 PIECES PATIO CONVERSATION SET comes in 3 boxes,please check the part list carefully to make sure you've received all the parts.
- 2.If there are any missing parts ,please contact us with the part # and quantity,we will send them to you ASAP.
- 3.If there are any damaged parts,please contact us with clear pictures or video,we will offer you the best solution after confirming it.









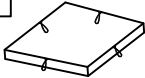
# Assembly Instructions

## Parts List (BOX A)

<b>V</b> 	<b>W</b> 	<b>X</b> 	<b>Y</b> 
1 PC	4 PCS	1 PC	1 PC
<b>Z</b> 	<b>q</b> 	<b>r</b> 	<b>t</b> 
2 PCS	2 PCS	2 PCS	2 PCS
<b>f</b> 	<b>①</b> 	<b>②</b> 	<b>③</b> 
M6 150PCS	4 PCS	2 PCS	2 PCS
<b>④</b> 	<b>j</b> 	<b>k</b> 	<b>b</b> 
2 PCS	3 PCS	4 PCS	1 PC
<b>c</b> 	<b>d</b> 		
M6x30mm 60 PCS	M6x35mm 63 PCS		


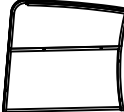






# Assembly Instructions

## Parts List (BOX A)

<b>m</b>  M6x15mm	<b>n</b> 	<b>y</b>  M6	<b>z</b> 
8 PCS	22 PCS	17 PCS	12 PCS
<b>o</b> 	<b>a</b>  5mm	<b>g</b>  50N	<b>e</b>  M6x20mm
1 PC	4 PCS	1 PC	2 PCS
<b>j1</b> 			
2 PCS			

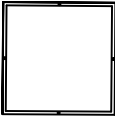



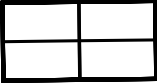
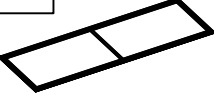
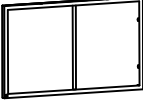
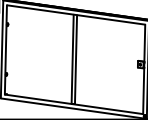
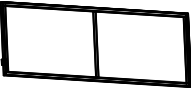
# Assembly Instructions

## Parts List (BOX B)

A 	B 	P 	Q 
1 PC	1 PC	1 PC	1 PC
R 	S 	j 	k 
1 PC	1 PC	2 PCS	1 PCS

# Assembly Instructions

## Parts List (BOX C)

<b>T</b> 	<b>U</b> 	<b>i</b> 	<b>G</b> 
2 PCS	8 PCS	1 PC	1 PC
<b>H</b> 	<b>I</b> 	<b>J</b> 	<b>K</b> 
1 PC	1 PC	1 PC	1 PC
<b>L</b> 			
1 PC			

## NOTE

- 1.If one or some screws are fully tightened during assembly,the other screws may not be aligned with screw holes.70% tighten before fastening all screws.Allen wrench is recommended instead of an electric drill.
- 2.If some screws are not alignes sith holes during assembly,please loosen all the other screws to 70% and continue the assembly process.
- 3.If the items is not stable,please loosen all the screws,adjust it on a flat ground and tighten all the screws.

# Assembly Instructions

Step 1



q\*1r



\*1



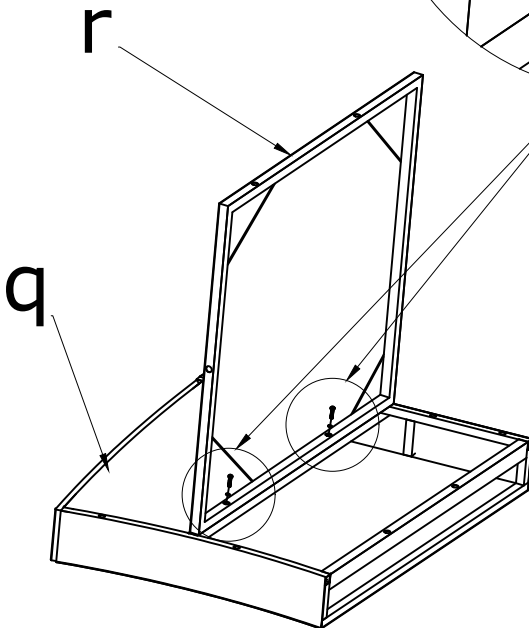
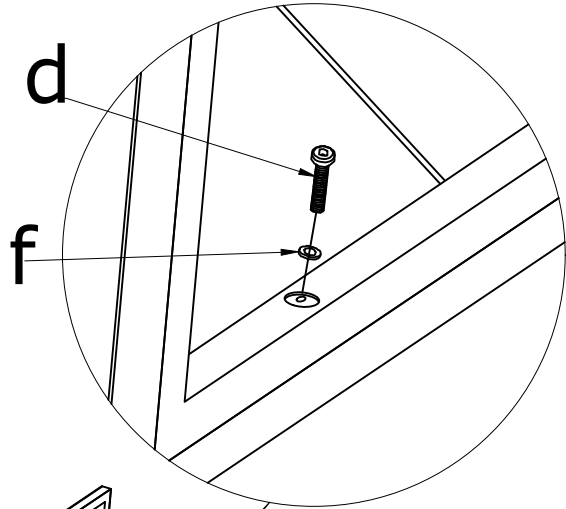
M6x35mm

d\*2f



M6

\*2



# Assembly Instructions

Step 2



①\*1

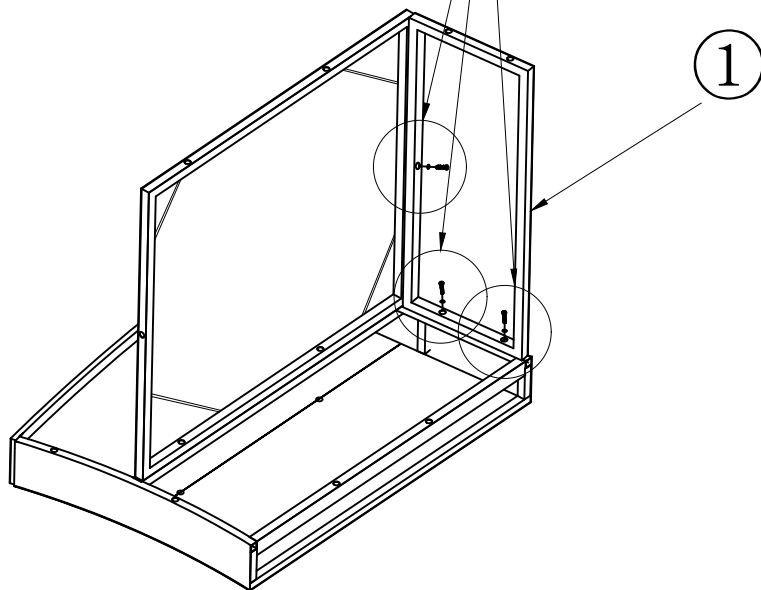
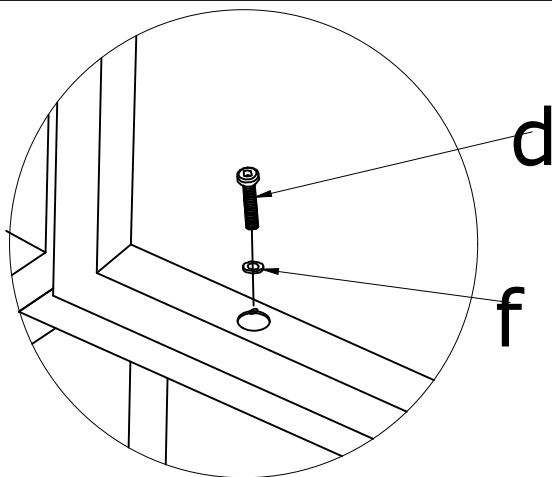
M6x35mm

d\*3f



M6

\*3



# Assembly Instructions

Step 3



t\*1d



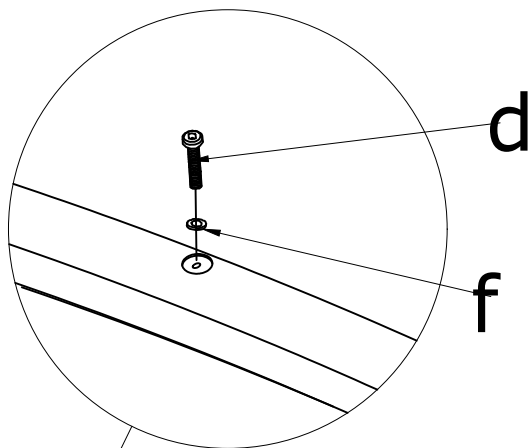
\*1

M6x35mm

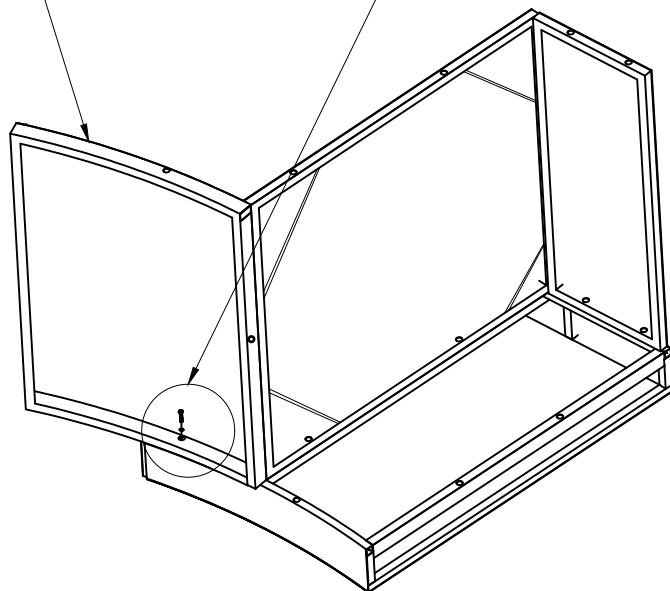


f\*1

M6



t



# Assembly Instructions

Step 4



u\*1



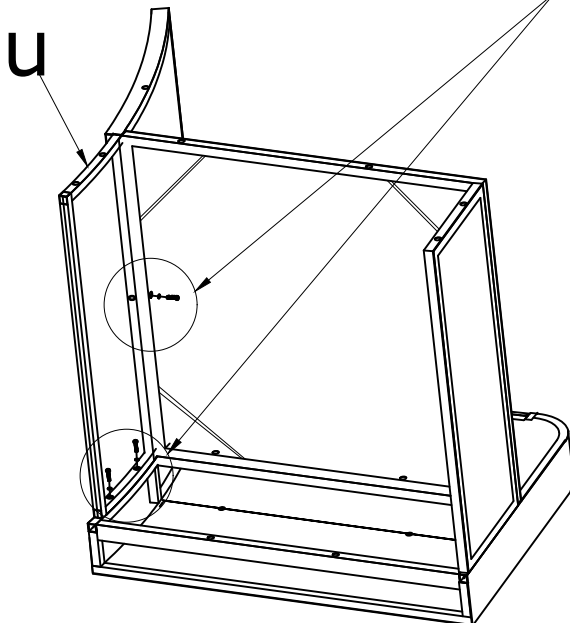
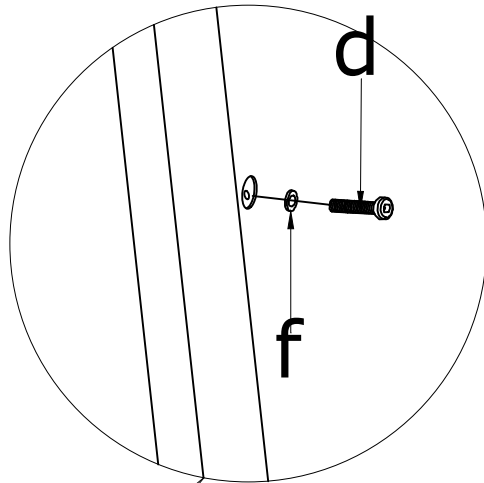
M6x35mm

d\*3



M6

f\*3



# Assembly Instructions

## Step 5



Z\*1



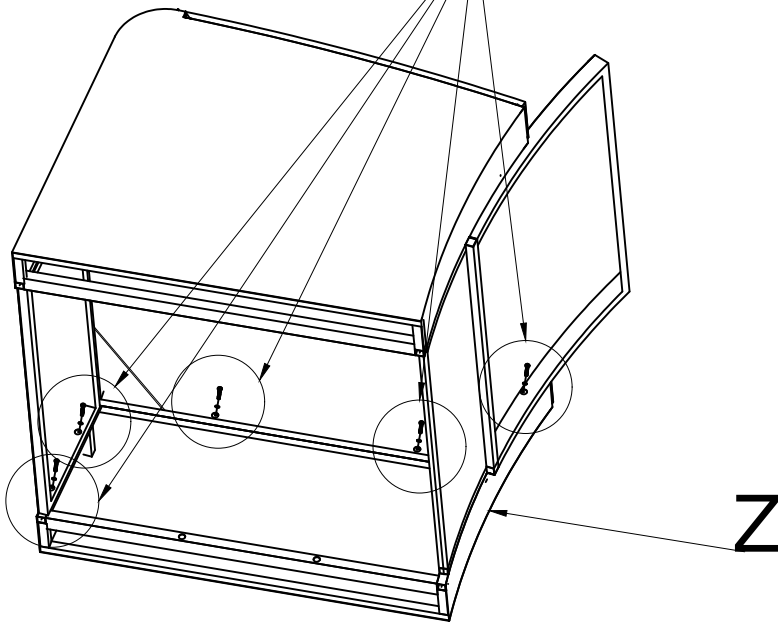
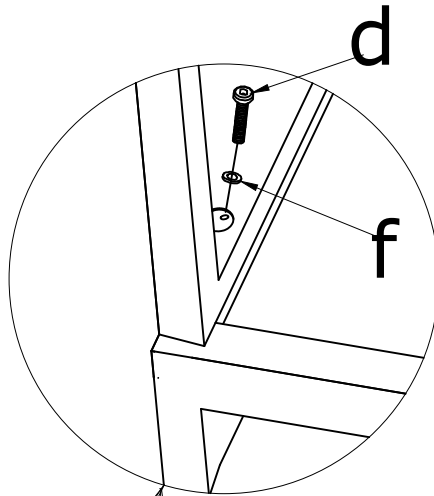
M6x35mm

d\*5



M6

f\*5



# Assembly Instructions

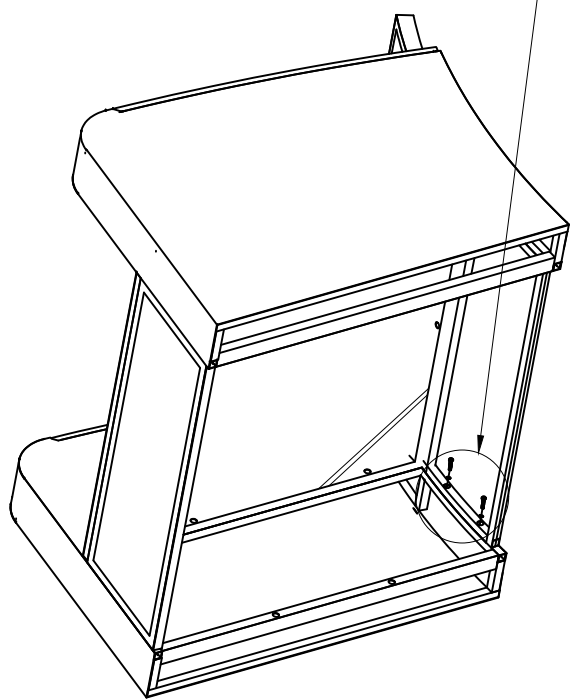
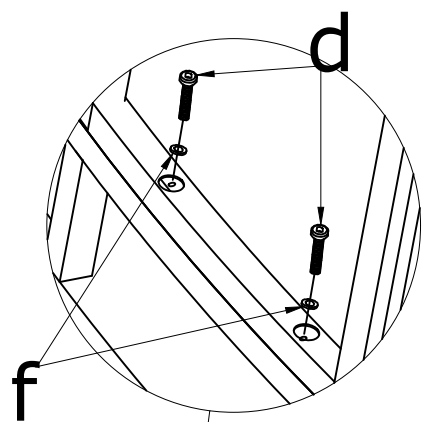
Step 6

 M6x35mm

d\*2

  
M6

f\*2



# Assembly Instructions

## Step 7



④\*1



③\*1



M6x30mm

c\*4



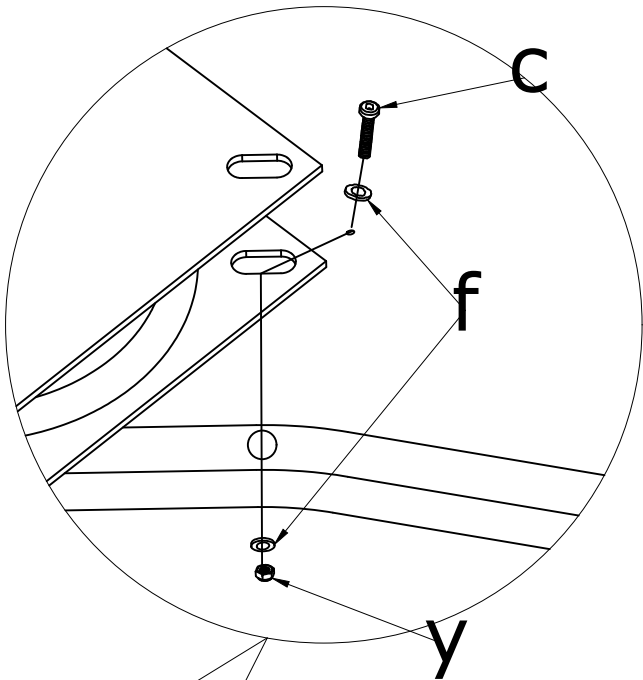
M6

f\*8

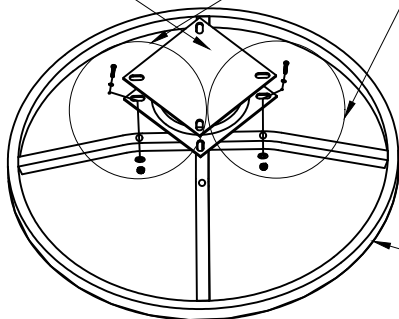


M6

y\*4



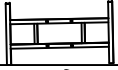
④



③

# Assembly Instructions

Step 8



②\*1



M6x30mm

c\*4



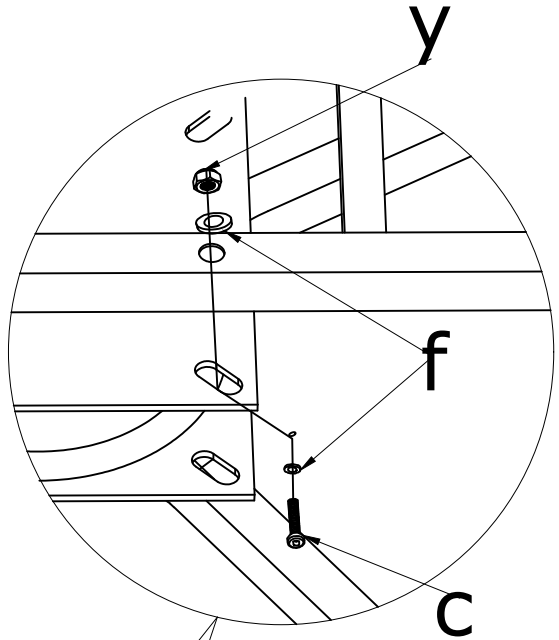
M6

f\*8

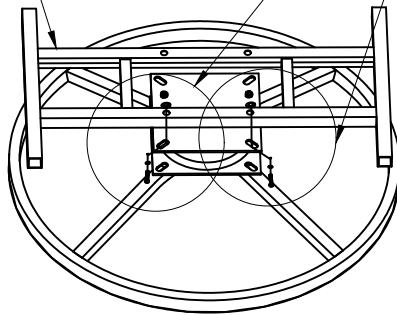


M6

y\*4



②



# Assembly Instructions

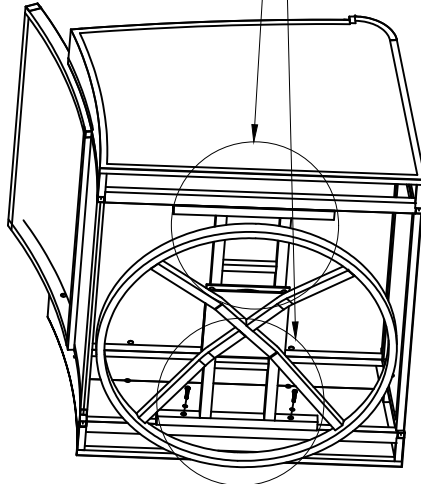
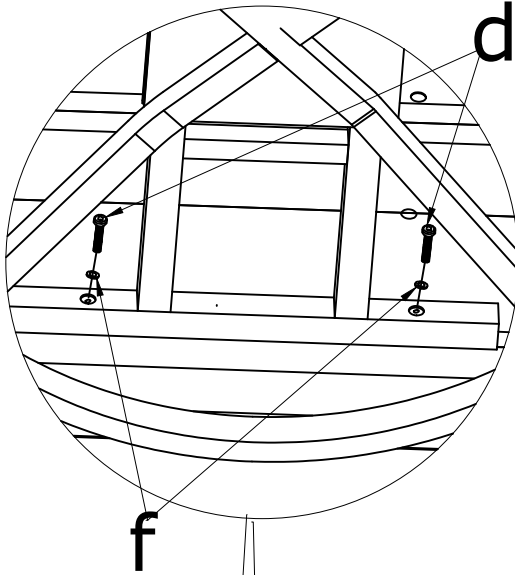
Step 9

 M6x35mm

d\*4

 M6

f\*4

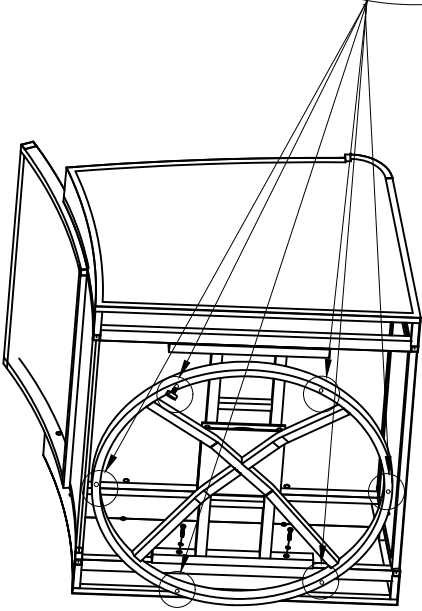
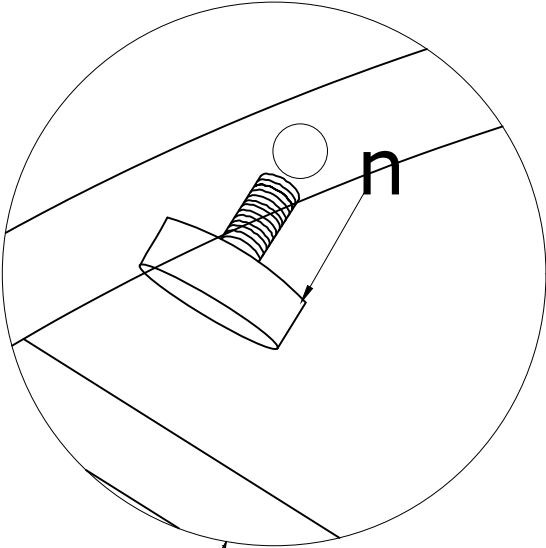


# Assembly Instructions

Step 10



n\*6



**X2**

# Assembly Instructions

## Step 11



V\*1



W\*4



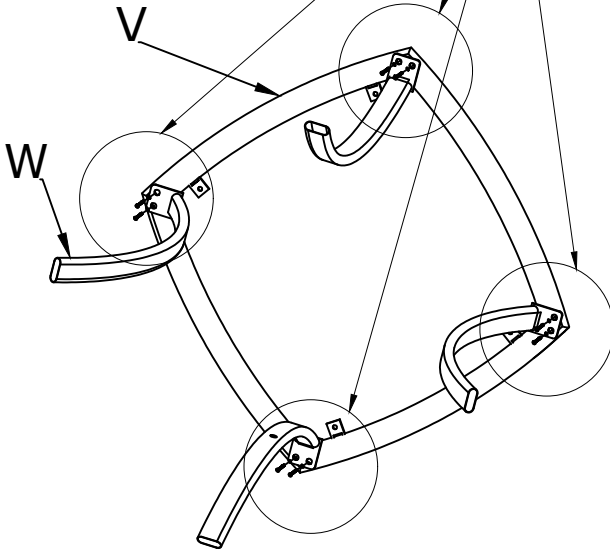
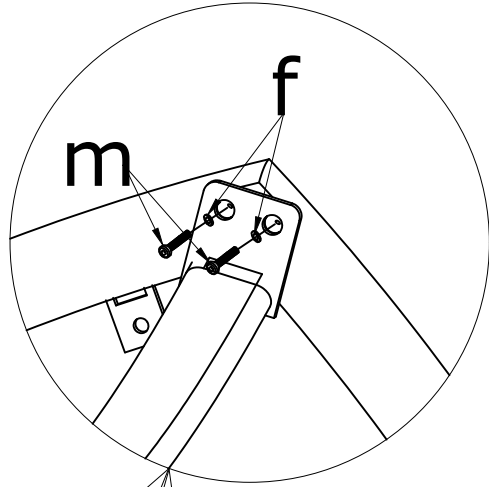
M6x15mm

m\*8



M6

f\*8



# Assembly Instructions

## Step 12



X\*1



M6x30mm

c\*4f

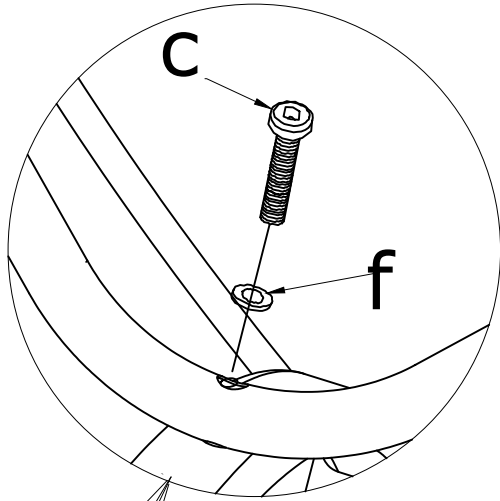


\*4n

M6

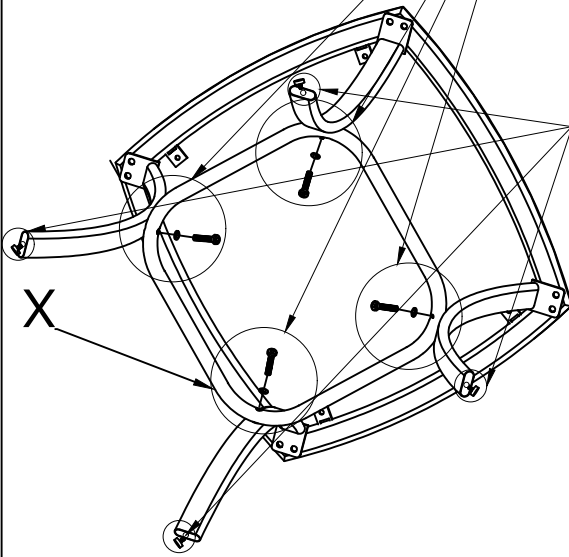


\*4

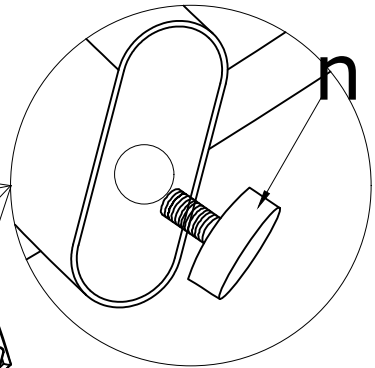


c

f



X



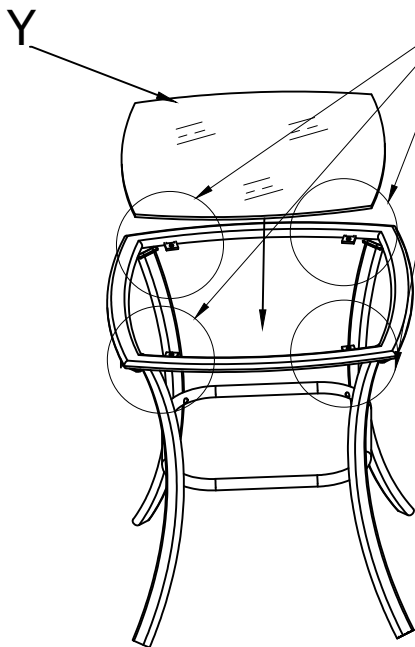
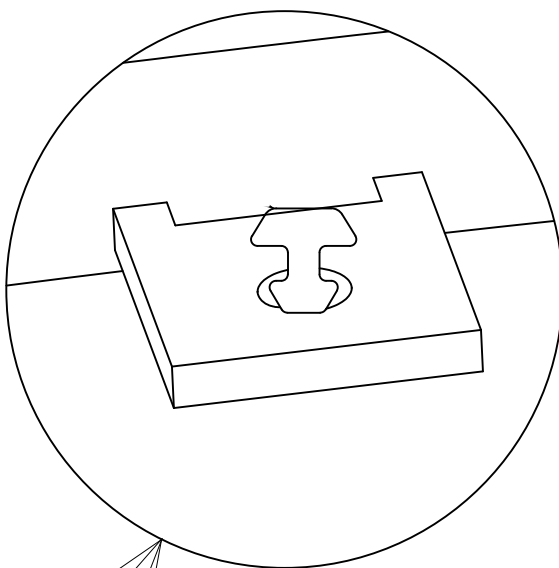
n

# Assembly Instructions

Step 13



Y\*1



# Assembly Instructions

Step 14



N\*1



P\*



M6x35mm

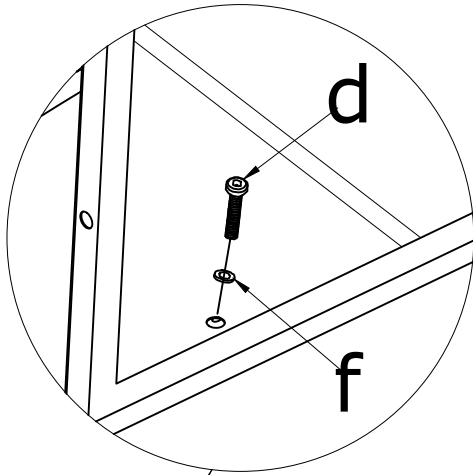
1d\*



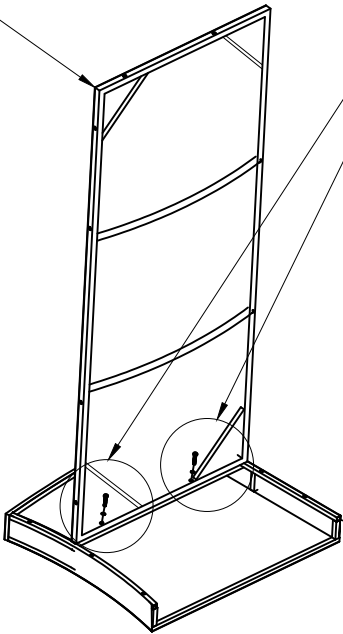
M6

2

f\*2



P



A

# Assembly Instructions

## Step 15



Q\*1

M6x35mm

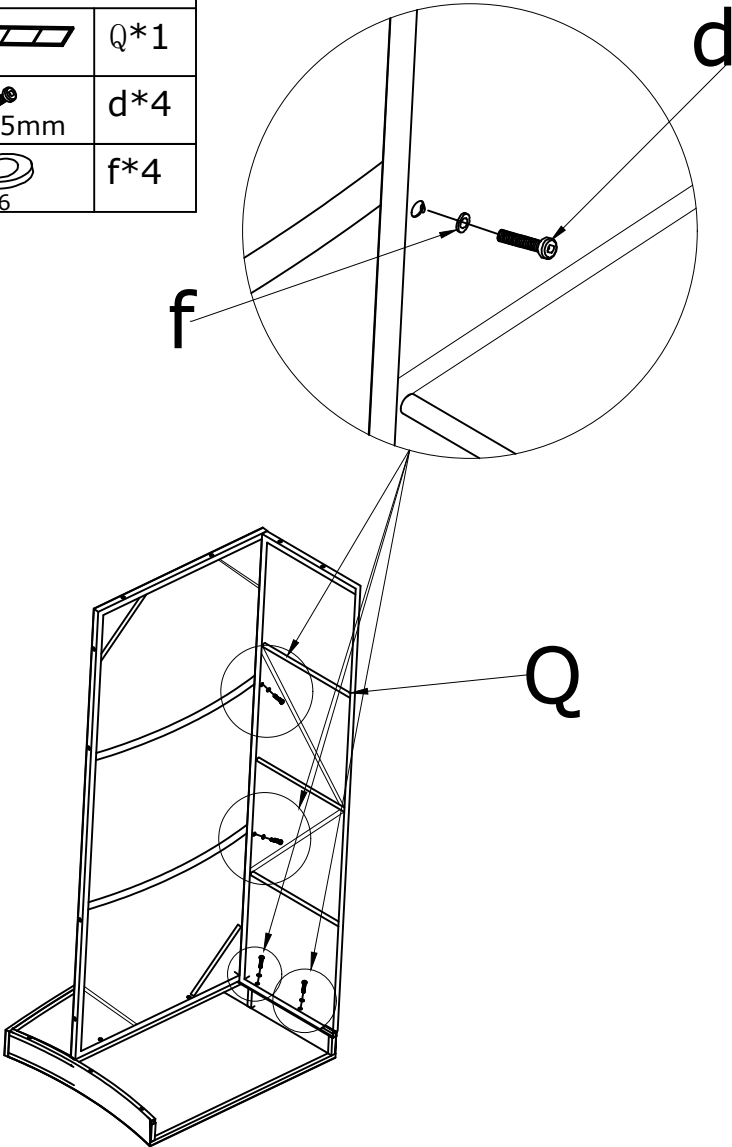


d\*4



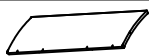
M6

f\*4



# Assembly Instructions

Step 16



S\*1



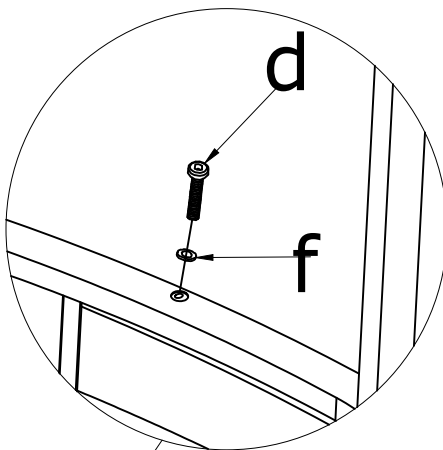
M6x35mm

d\*1

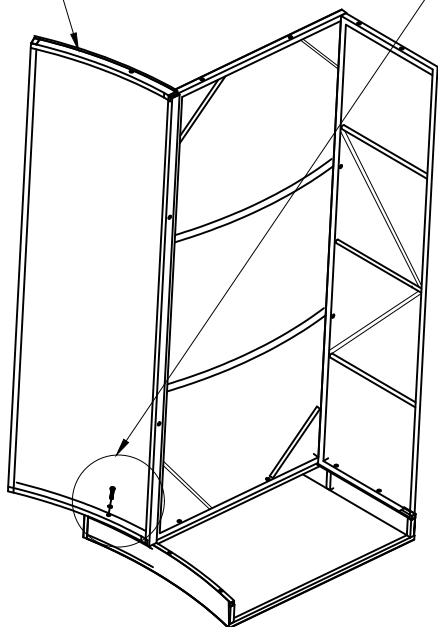


M6

f\*1



S



# Assembly Instructions

Step 17



R\*1

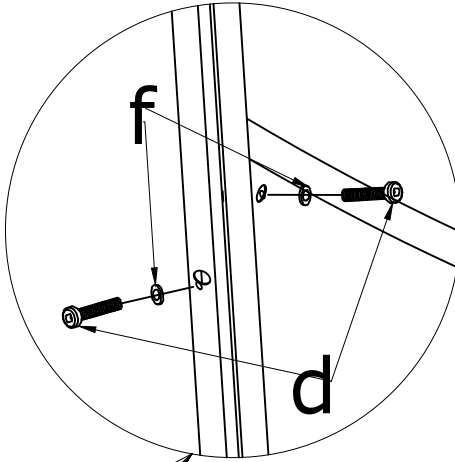
M6x35mm

d\*9

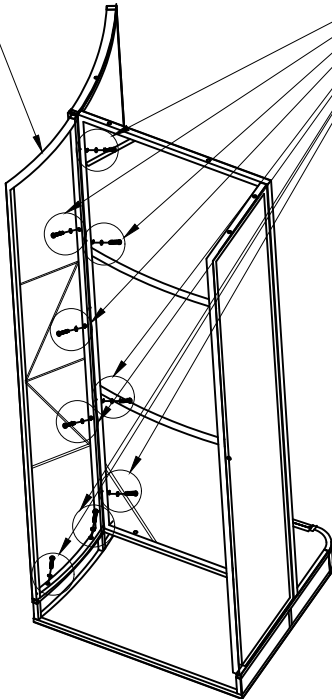


M6

f\*9



R



# Assembly Instructions

Step 18



B\*1



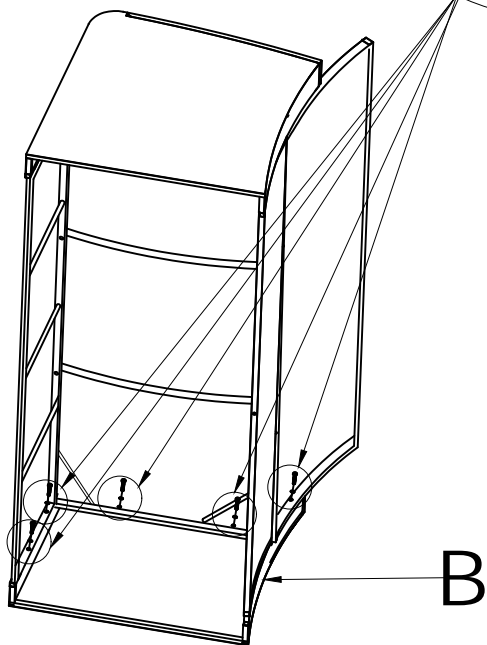
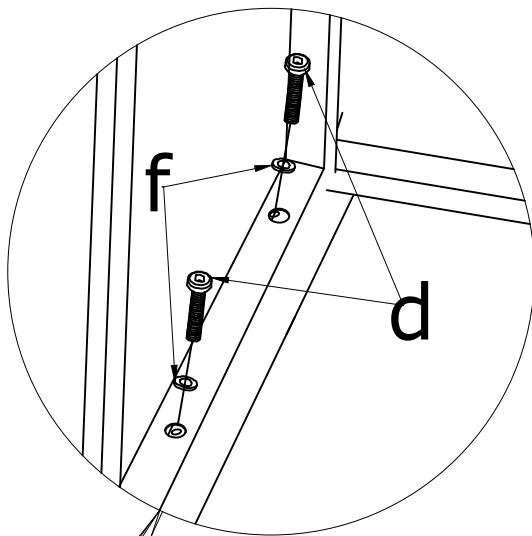
M6x35mm

d\*5



M6

f\*5



# Assembly Instructions

## Step 19

M6x35mm

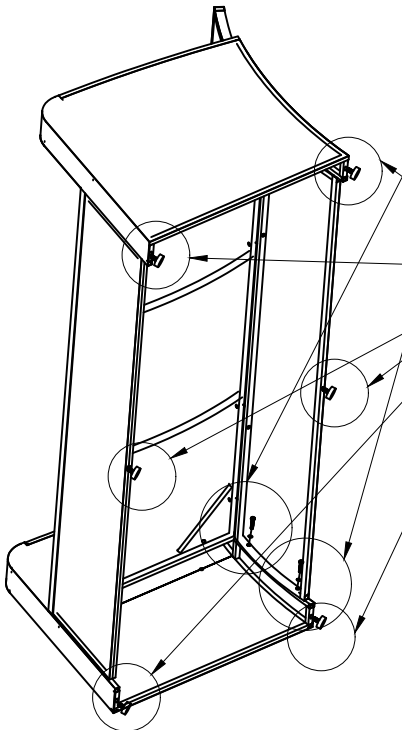
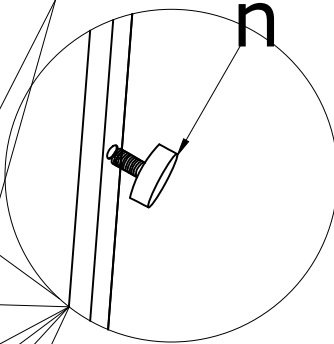
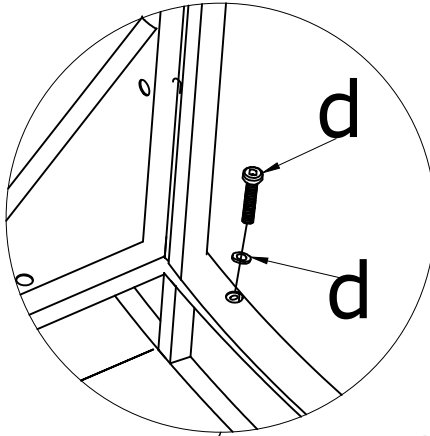
d\*2



f\*2



n\*6



# Assembly Instructions

Step 20



T\*1



U\*1



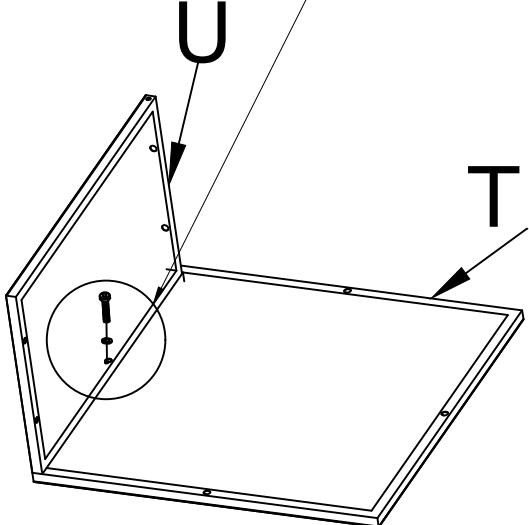
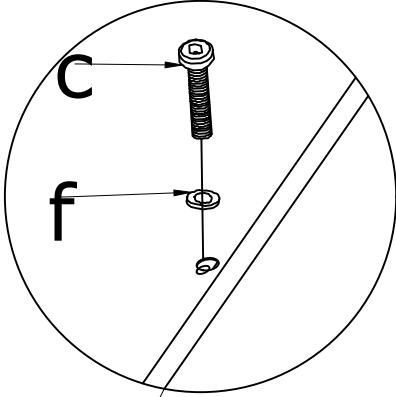
M6x30mm

c\*1



M6

f\*1



# Assembly Instructions

## Step 21



U\*1



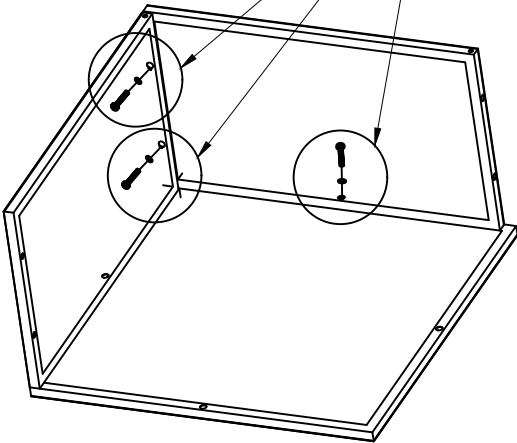
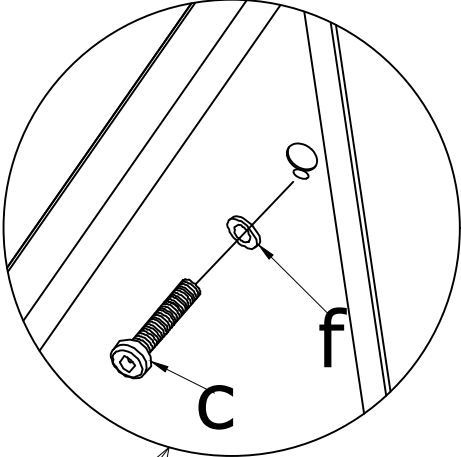
M6x30mm

c\*3



M6

f\*3



# Assembly Instructions

Step 22



U\*1

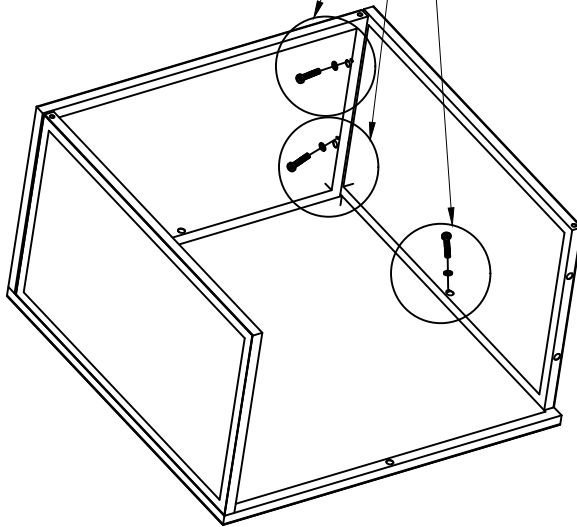
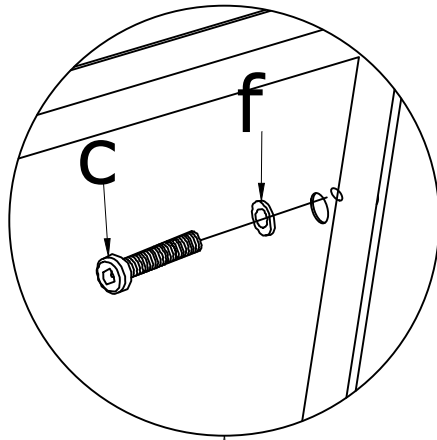
M6x30mm

c\*3f



M6

\*3



# Assembly Instructions

Step 23



U\*1



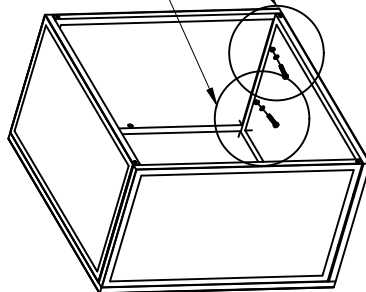
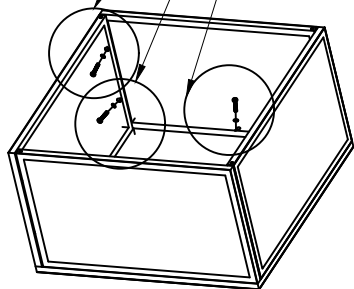
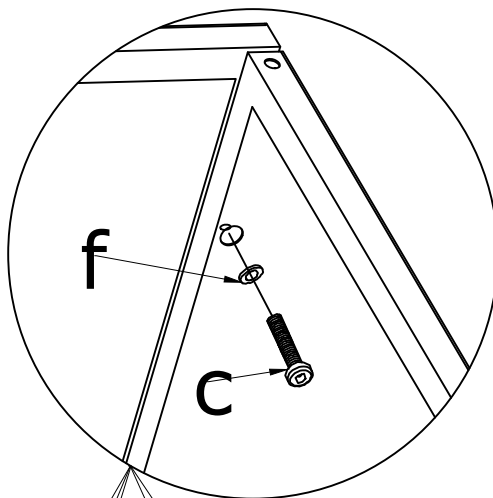
M6x30mm

c\*5



M6

f\*5

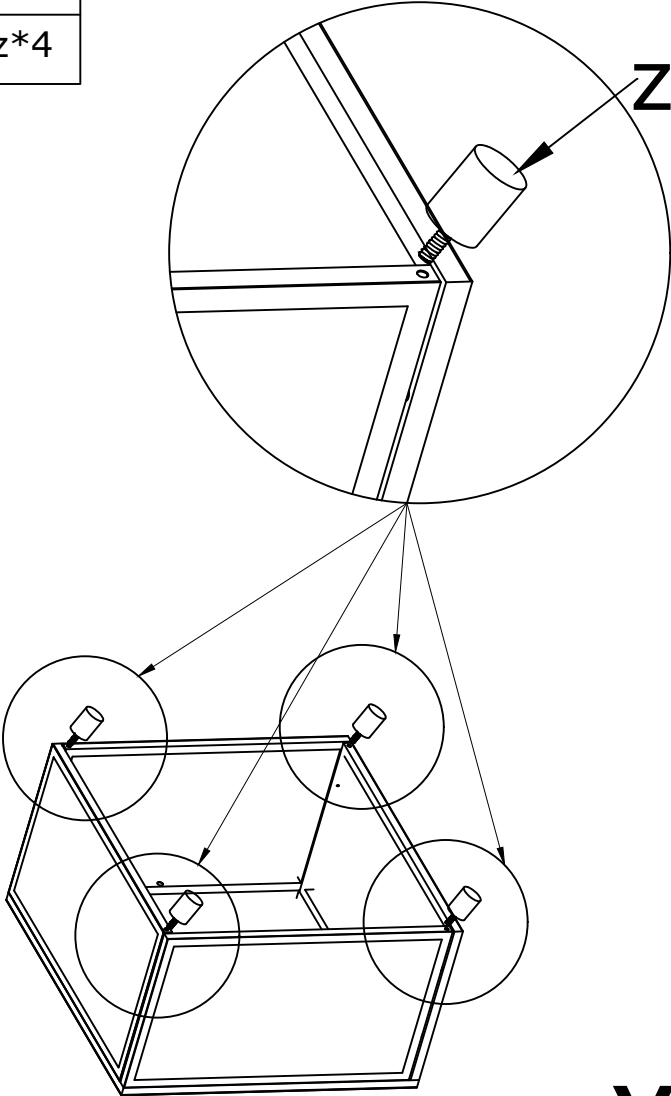


# Assembly Instructions

Step 24



z\*4



**X2**

# Assembly Instructions

Step 25



G\*1 I



\*1



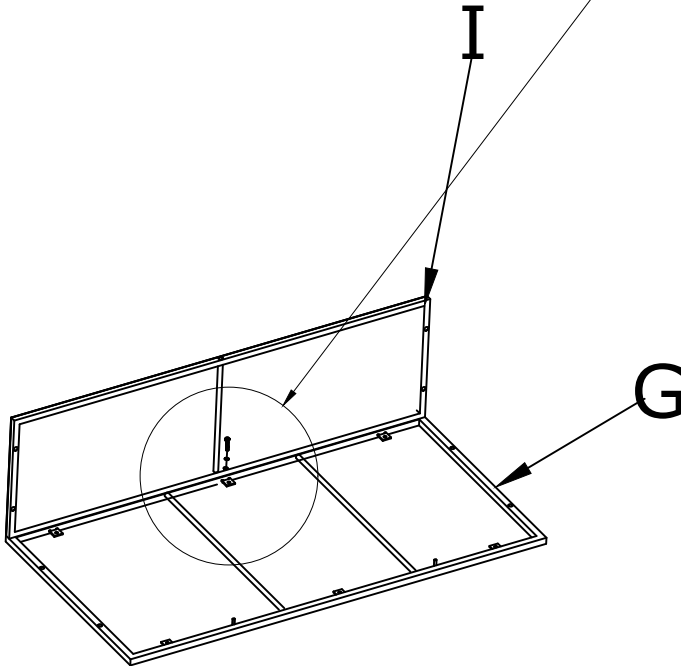
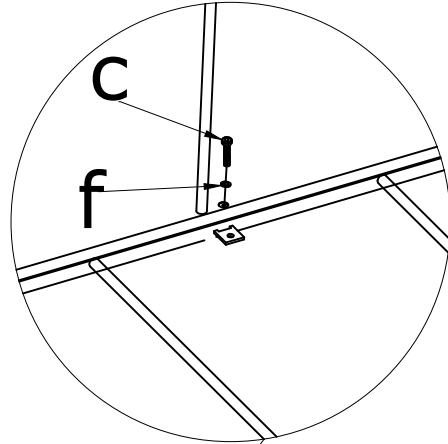
M6x30mm

c\*1



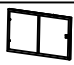
M6


f\*1




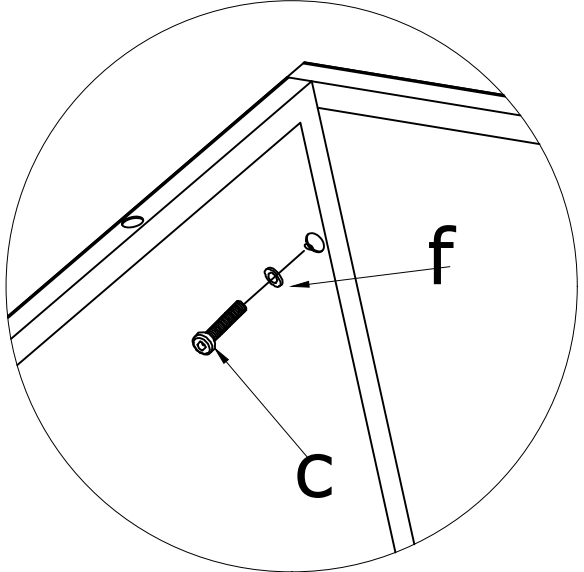
# Assembly Instructions

Step 26

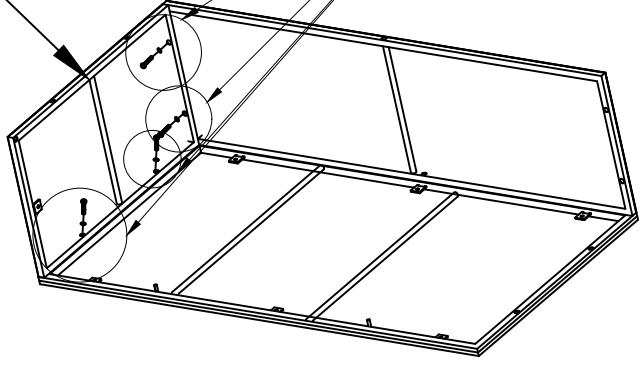
 K\*1

 M6x30mm C\*4

 M6 f\*4



K



# Assembly Instructions

Step 27



J\*1



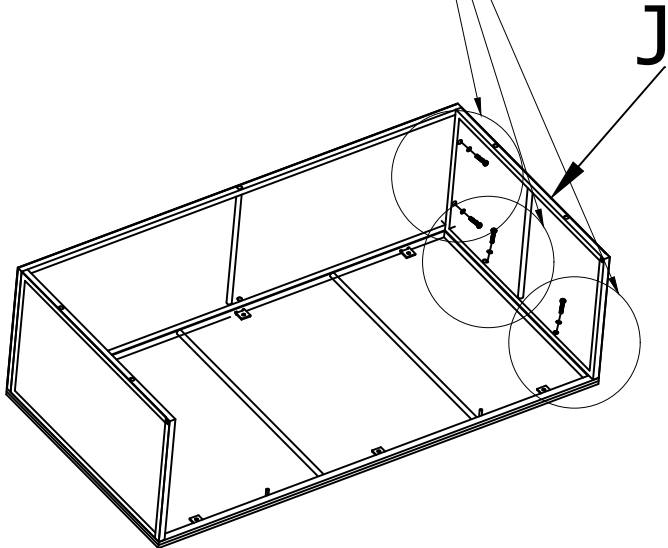
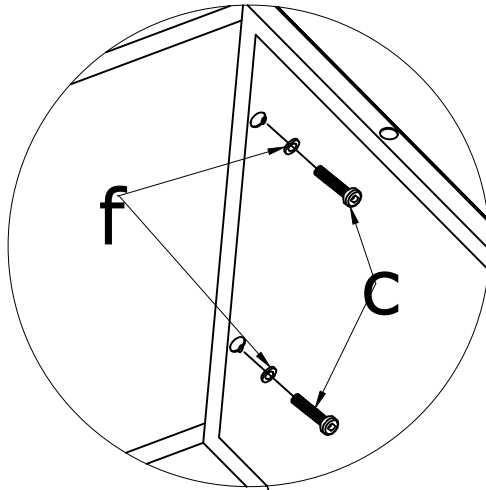
M6x30mm

C\*4



M6

f\*4



# Assembly Instructions

Step 28



L\*1

M6x30mm

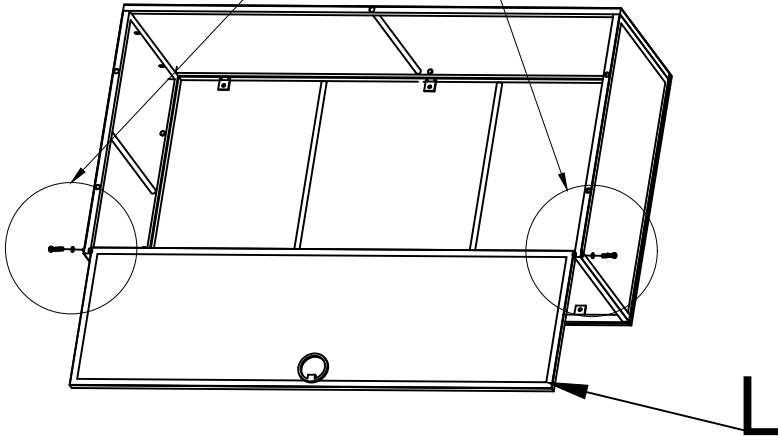
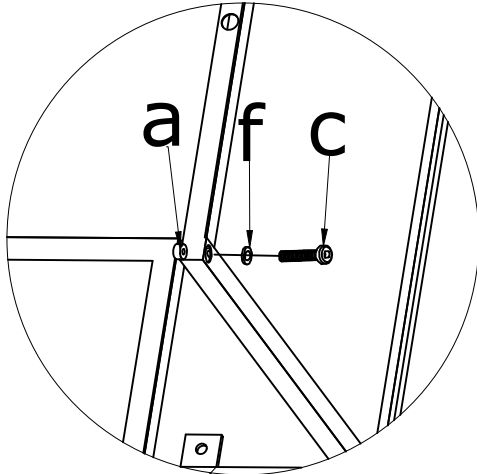
c\*2



f\*2

5mm

a\*2



# Assembly Instructions

Step 29



H\*1



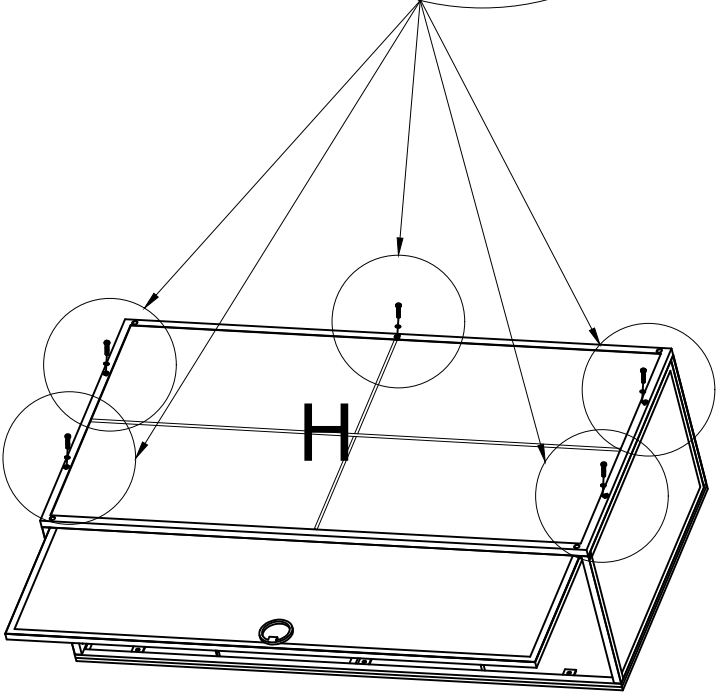
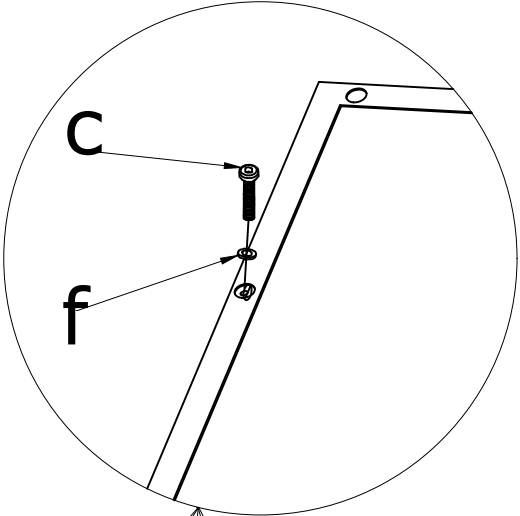
M6x30mm

c\*5



M6

f\*5

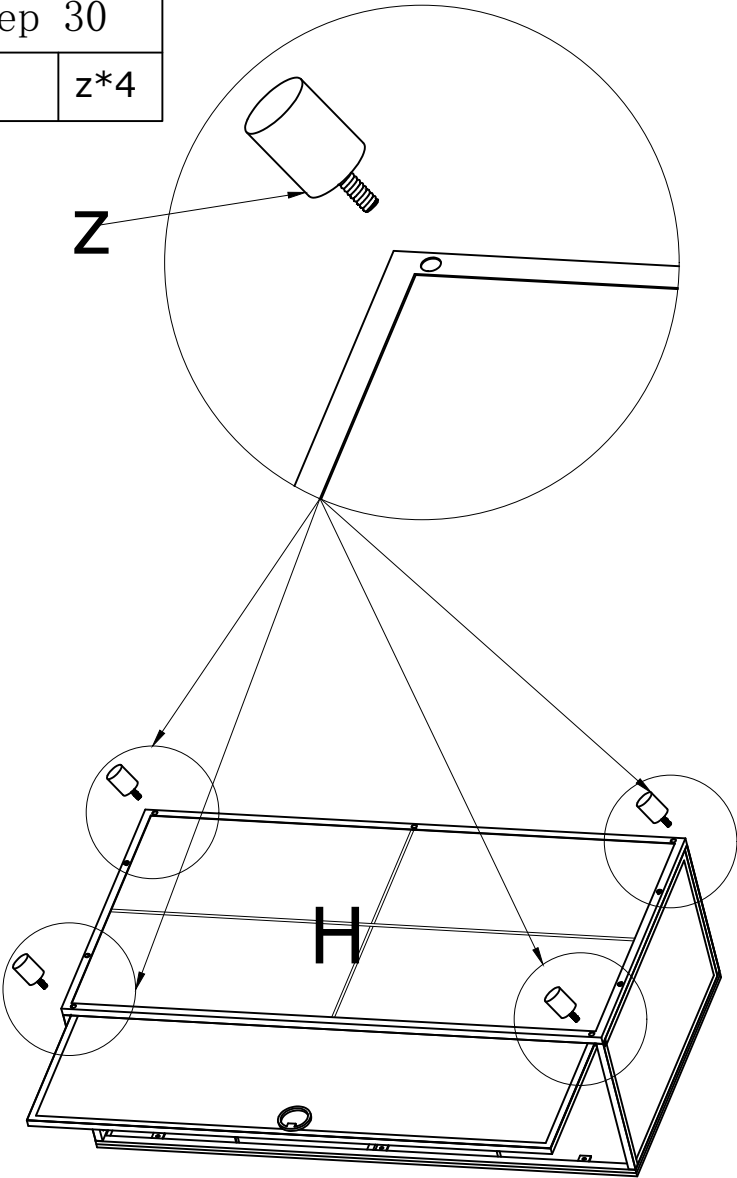


# Assembly Instructions

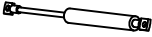




Step 30

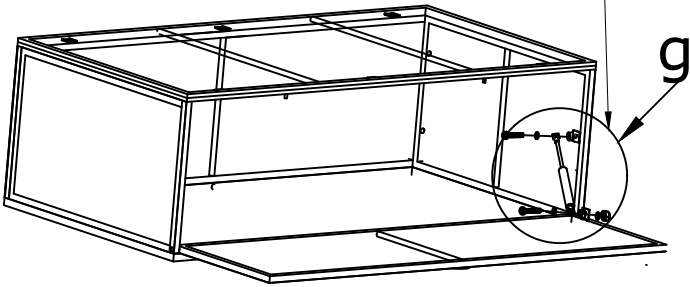
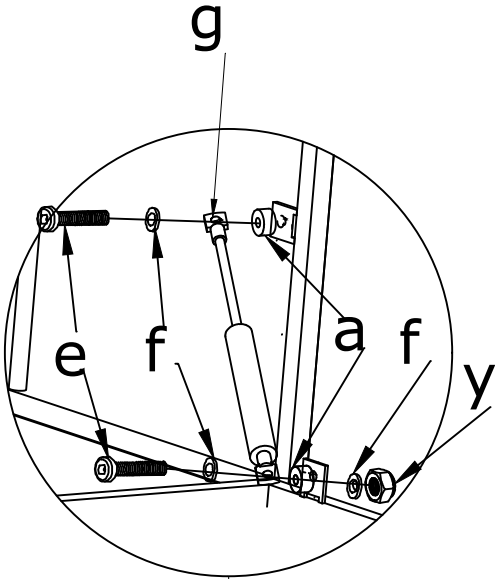


z\*4



# Assembly Instructions

Step 31	
	g*1
 5mm	a*2
 M6x20mm	e*2 f
 M6	*3 y
 M6	*1

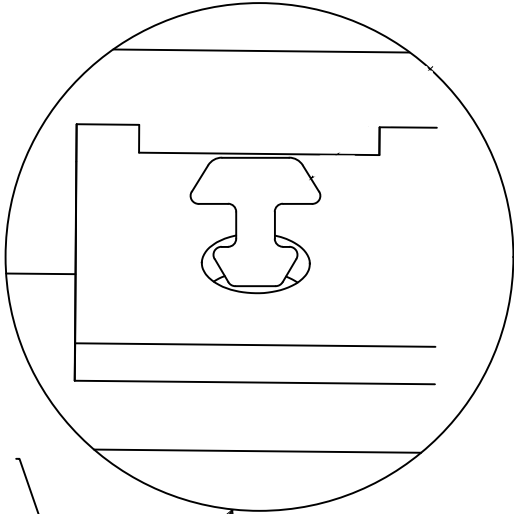


# Assembly Instructions

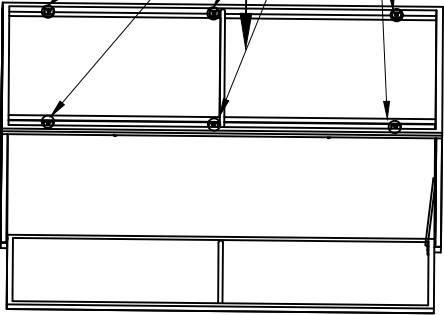
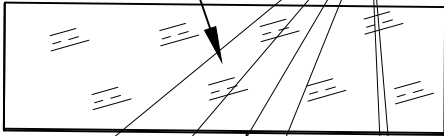
Step 32



$i * 1h$



**i**



# Assembly Instructions

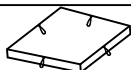
Step 33



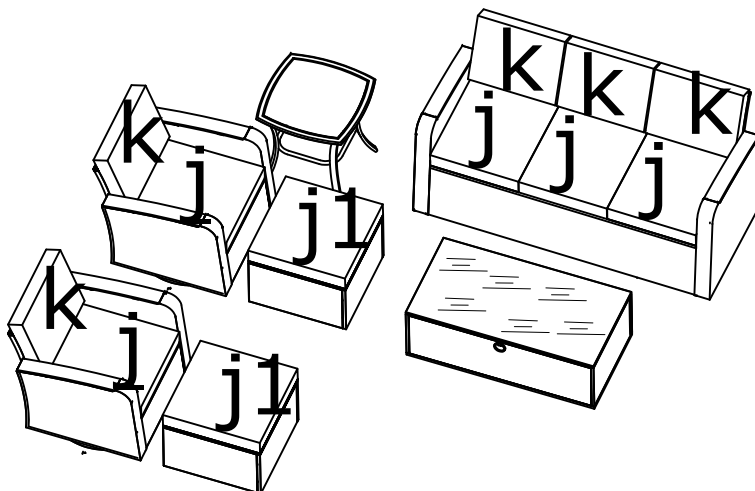
j\*5



k\*5



j1\*2



## CONTACT US

If you order products on our store:

Please contact our service team if you need help. The service email is [serviceteam@yalissey.com](mailto:serviceteam@yalissey.com)

(Guaranteed response within 24 hours)

If you order our products on Amazon/Walmart/Wayfair etc.

Log in Amazon/Walmart/Wayfair etc, to contact the seller.

Order>Sold By>Contact Seller

## WARRANTY

So glad you have completed the assembly and can enjoy it.

If you are satisfied with our products, thank you for showing your favored 7 PIECES PATIO CONVERSATION SET to your around.

### Customer Service:

Any problem with the product or shipping issue, please feel free to contact, we will try our best to serve and help.

