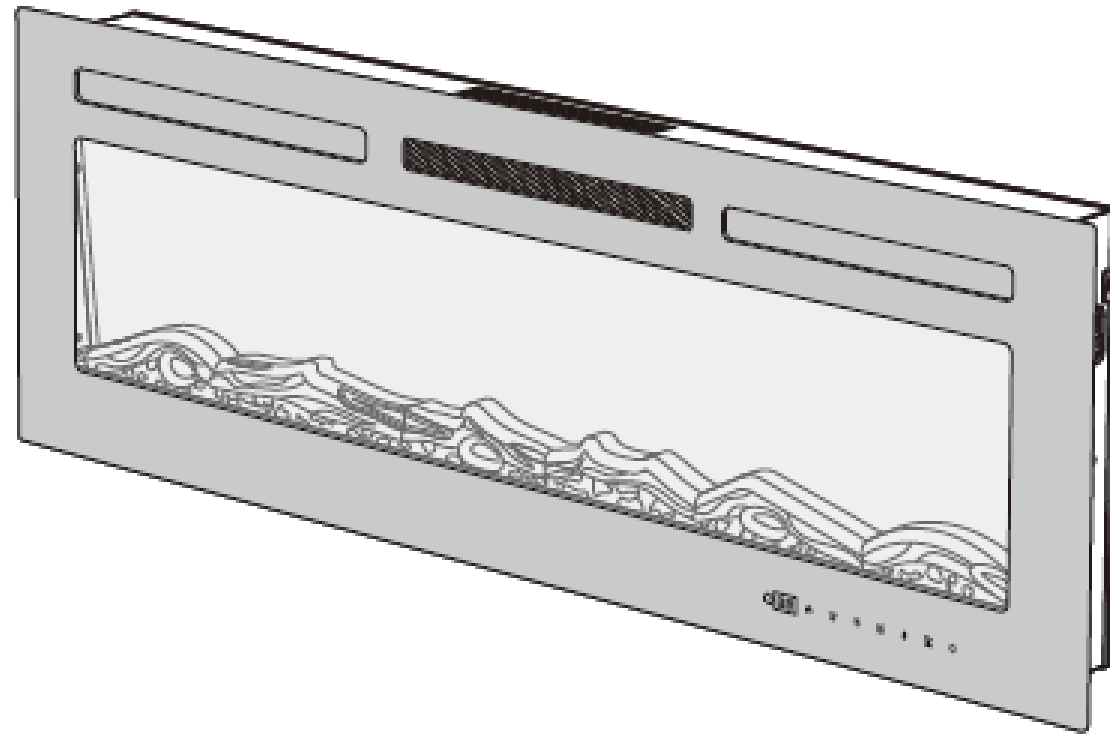


# ELECTRIC FIREPLACE

## USER MANUAL



Made in China Rev 1.0 EN

# IMPORTANT SAFETY INSTRUCTIONS

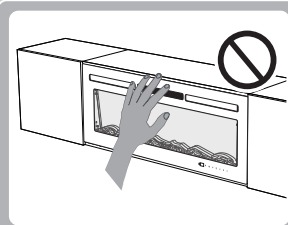


## READ ALL INSTRUCTIONS BEFORE USE AND SAVE FOR FUTURE REFERENCE

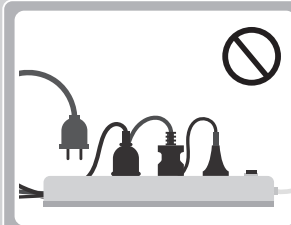
When using an electrical appliance, basic safety precautions should always be followed to reduce the risk of fire, electric shock, and/or injury to persons including the following:



**DO NOT** cover or block the air inlets or outlets in any manner.



This fireplace is hot when in use. To avoid burns, **DO NOT** let bare skin touch hot surfaces.



Always plug directly into a wall outlet/receptacle. Never use with an extension cord or relocatable power tap.

## INTENDED USE

- ◆ This appliance is not intended for use by persons (including children) with reduced physical, sensory or mental capabilities, or lack of experience and knowledge, unless they have been given supervision or instruction concerning the use of the appliance by person responsible for their safety.
- ◆ Close supervision is necessary when any appliance is used by or near children. Children should be supervised to ensure that they do not play with the appliance. Cleaning and user maintenance shall not be done by children unless they are older than 8 and supervised. Keep the appliance and its cord out of reach of children.
- ◆ This fireplace is not intended for use in bathrooms, laundry areas and similar indoor locations. Do not use this fireplace in the immediate surroundings of a bath, a shower or a swimming pool.
- ◆ Use this fireplace only for intended purposes as described in this User Manual. Any other use not recommended by the manufacturer may cause fire, electric shock, or injury to persons.

## IMPORTANT INSTRUCTIONS

When using electrical appliances, basic precautions should always be followed to reduce the risk of fire, electric shock, and injury to persons, including the following:

- ◆ Read all instructions before installing or using this heater.
- ◆ This heater is hot when in use. To avoid burns, do not let bare skin touch hot surfaces. Keep combustible materials, such as furniture, pillows, bedding, papers, clothes, etc. and curtains at least 0.9 m from the front of the heater and keep them away from the sides and rear.
- ◆ Extreme caution is necessary when any heater is used by or near children or invalids and whenever the heater is left operating and unattended.
- ◆ Do not operate any heater after it malfunctions. Disconnect power at service panel and have heater inspected by a reputable electrician before reusing.

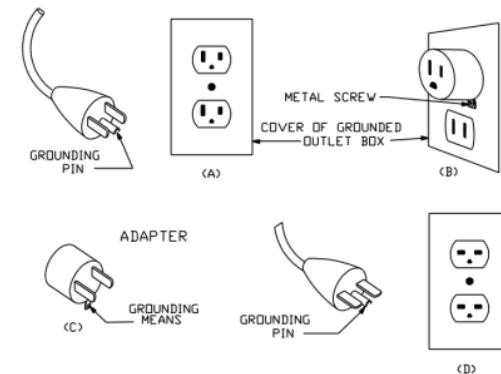
- ◆ Do not use outdoors.
- ◆ To disconnect heater, turn controls to off, and turn off power to heater circuit at main disconnect panel (or operate internal disconnect switch if provided).
- ◆ Do not insert or allow foreign objects to enter any ventilation or exhaust opening as this may cause an electric shock or fire, or damage the heater.
- ◆ To prevent a possible fire, do not block air intakes or exhaust in any manner.
- ◆ A heater has hot and arcing or sparking parts inside. Do not use it in areas where gasoline, paint, or flammable vapors or liquids are used or stored.
- ◆ Use this heater only as described in this manual. Any other use not recommended by the manufacturer may cause fire, electric shock, or injury to persons.
- ◆ This heater may include an audible or visual alarm to warn that parts of the heater are getting excessively hot. If the alarm sounds (or illuminates), immediately turn the heater off and inspect for any objects on or adjacent to the heater that may have blocked the airflow or otherwise caused high temperatures to have occurred. **DO NOT OPERATE THE HEATER WITH THE ALARM SOUNDING (OR ILLUMINATING).**

## ◆ 'SAVE THESE INSTRUCTIONS'

### Grounding instructions

- ◆ This heater is for use on 120 volts. The cord has a plug as shown at A in Figure below. An adapter as shown at C is available for connecting three-blade grounding-type plugs to two-slot receptacles. The green grounding lug extending from the adapter must be connected to a permanent ground such as a properly grounded outlet box.
- ◆ The adapter should not be used if a three-slot grounded receptacle is available.

Figure 60.1  
Grounding methods



**NOTE: Adaptors are NOT for use in Canada**

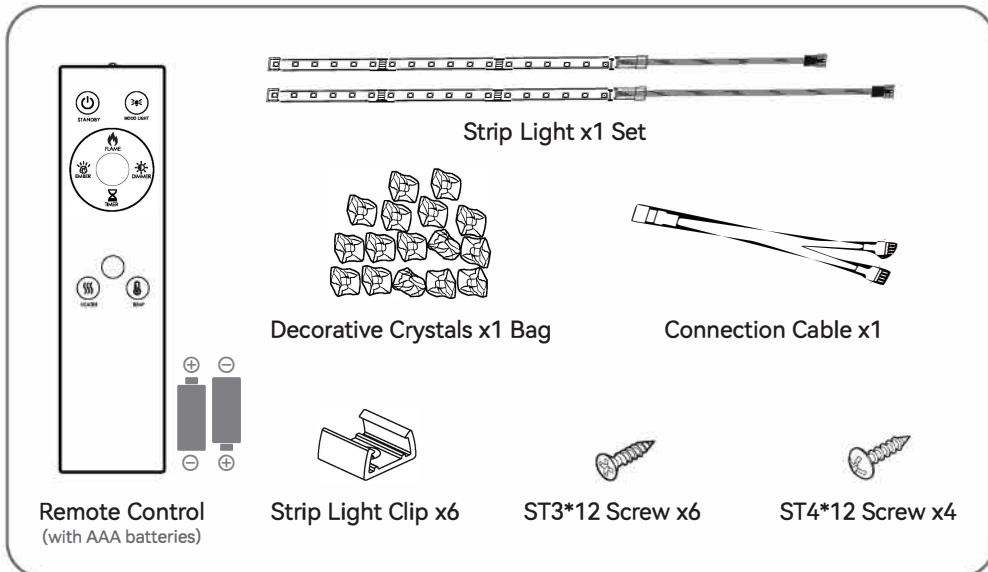
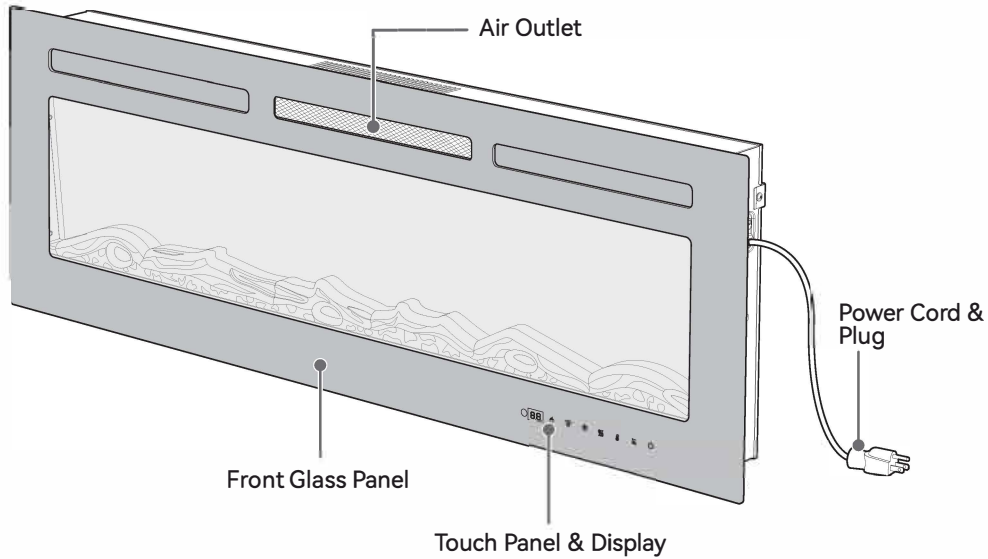
## SAVE THESE INSTRUCTIONS

### Specifications

|                        |                   |
|------------------------|-------------------|
| Voltage                | 120V~ 60Hz        |
| Power                  | 1500W             |
| Remote Control Battery | 2 x AAA batteries |

# IN THE BOX

Check if all parts and accessories are included. Contact us via if there is any part missing or damaged.

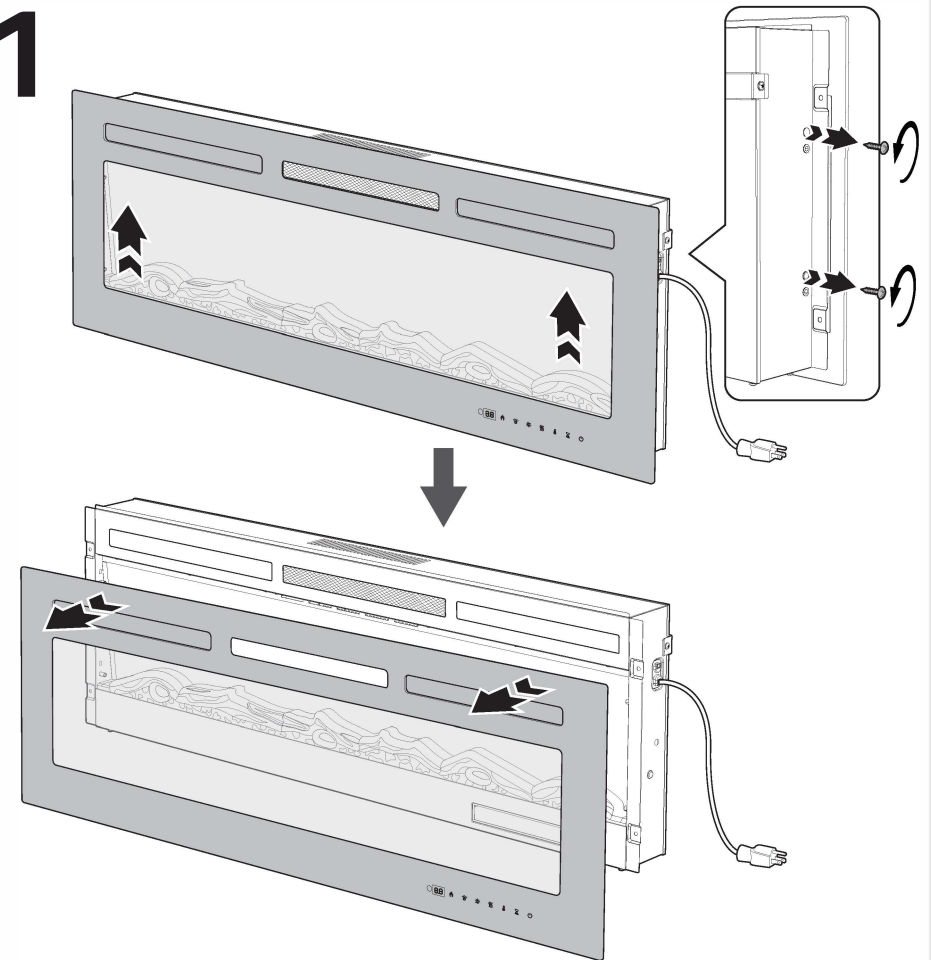


# ASSEMBLING ELECTRIC FIREPLACE



- This fireplace is a recessed and/or mantel installed appliance. Select a suitable location that is not susceptible to moisture and is away from drapes, furniture and high traffic areas.
- Follow all National and local electrical codes. DO NOT connect the fireplace to electric outlet until properly installed.
- We recommend at least 2 people for the assembly.

1

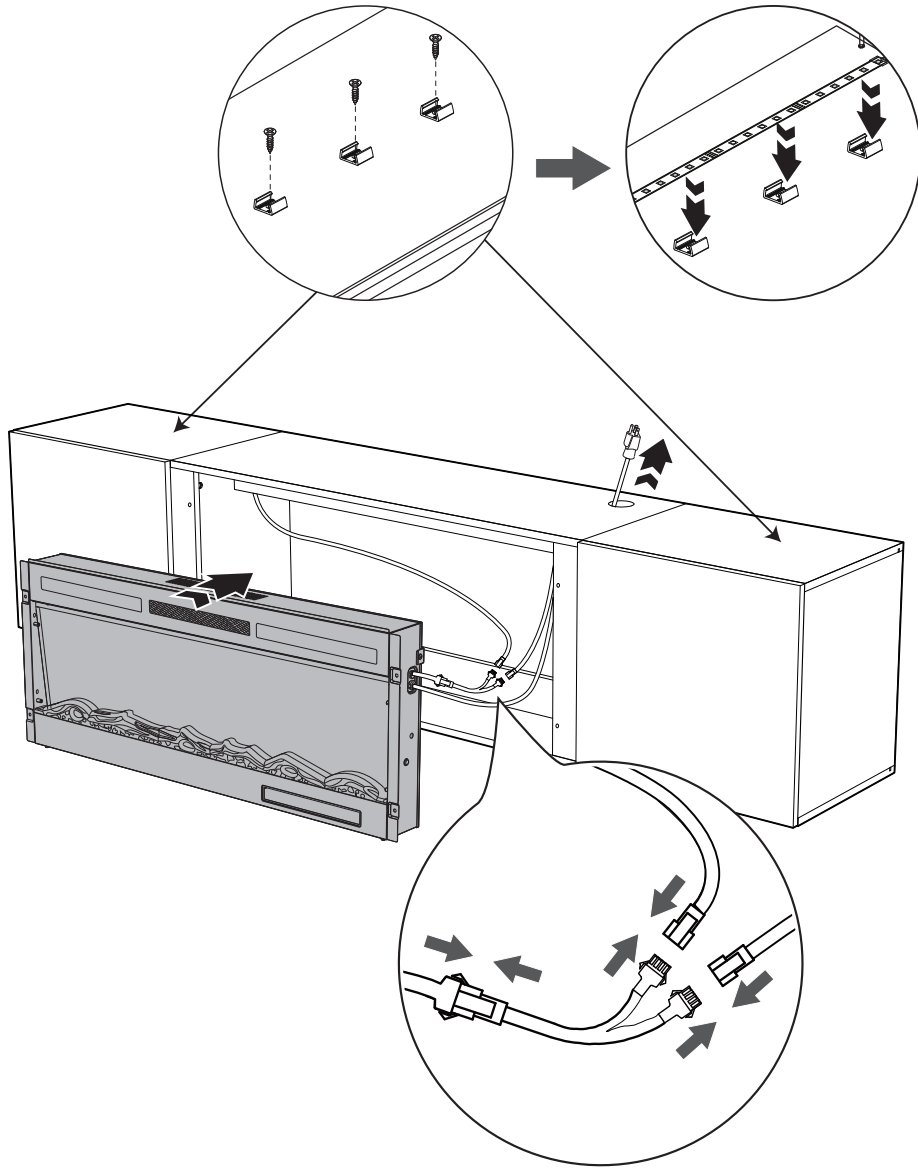


## Removing Front Glass Panel

Unscrew the four screws from the sides (two on each side) of the fireplace. Carefully lift and remove the front glass panel and set aside for later use. Take the cardboard out.

# 2

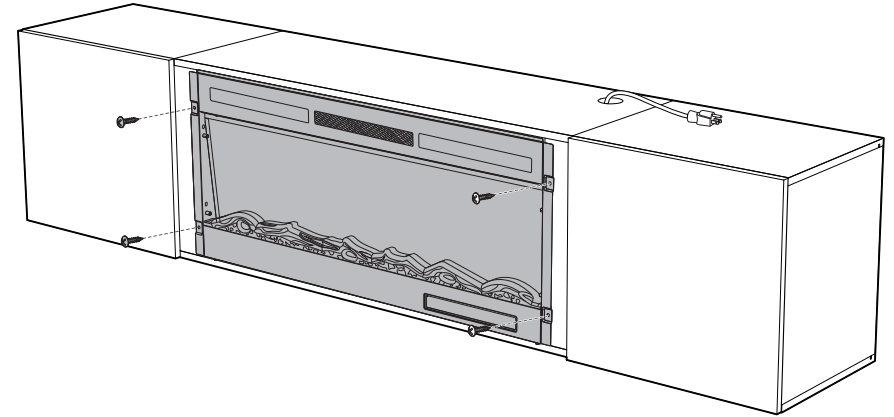
 Attach strip lights as instructed in Assembly Instructions of TV Stand.



### Attaching Fireplace & Connecting Strip Light

Gently hold and place the fireplace in the TV stand by 2 people. Plug in the connection cable and strip lights. Run the power cord and plug through the hole.

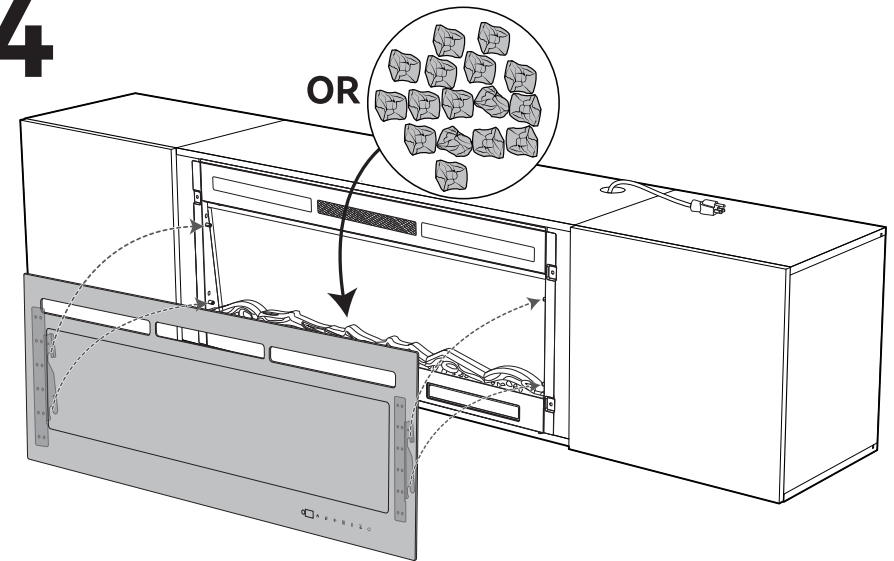
# 3



### Securing Fireplace

Align with the holes on the TV stand and fix the fireplace onto the TV stand with four ST4\*12 screws (seperately packed in package).

# 4

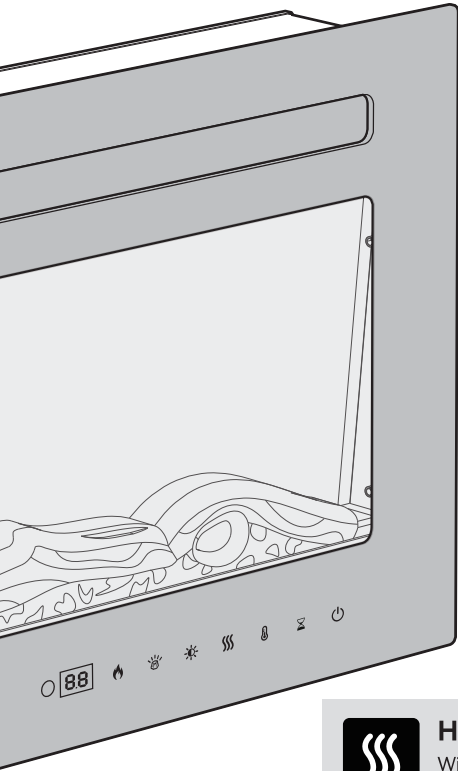


### Attaching Front Glass Panel

If you prefer crystals, remove the logs and place the decorative crystals in. Align with the lugs on the inner sides of the fireplace and attach the front glass panel back in place.

# USING ELECTRIC FIREPLACE

## Control Panel



### Power ON / OFF (Standby)

- Press once to turn the fireplace on or off (standby).
- If the power is not disconnected, the fireplace will always remember your last settings once you turn it on again.



### Flame Effects

With fireplace and heating on, press repeatedly to cycle through 14 flame effects: F.01 → F.02 → F.03 → F.04... → F.13 → F.00 → F.01...



### Fuel Bed Effects

With fireplace and heating on, press repeatedly to cycle through 14 fuel bed effects: E.01 → E.02 → E.03 → E.04... → E.13 → E.00 → E.01...



### Brightness Adjustment

With fireplace on, press Flame or Fuel Bed button, then press Brightness button within 10s to cycle through 5 brightness levels of flame (F.b5-F.b1) or fuel bed (E.b5-E.b1).



### Heating Level Setting

With fireplace on, press repeatedly to cycle through 2 heating levels: H.Lo (Low) → H.HI (High) → H.oF (Off) → H.Lo (Low)...



### Heating Temperature Setting

With fireplace on, press repeatedly to adjust the temperature (60°F–84°F, H.oF). Once the set temperature is reached, the fireplace will stop heating. It will start again when the temp drops below the set one.

### °C / °F Switching

With fireplace on, hold for 3s to switch the temperature unit.



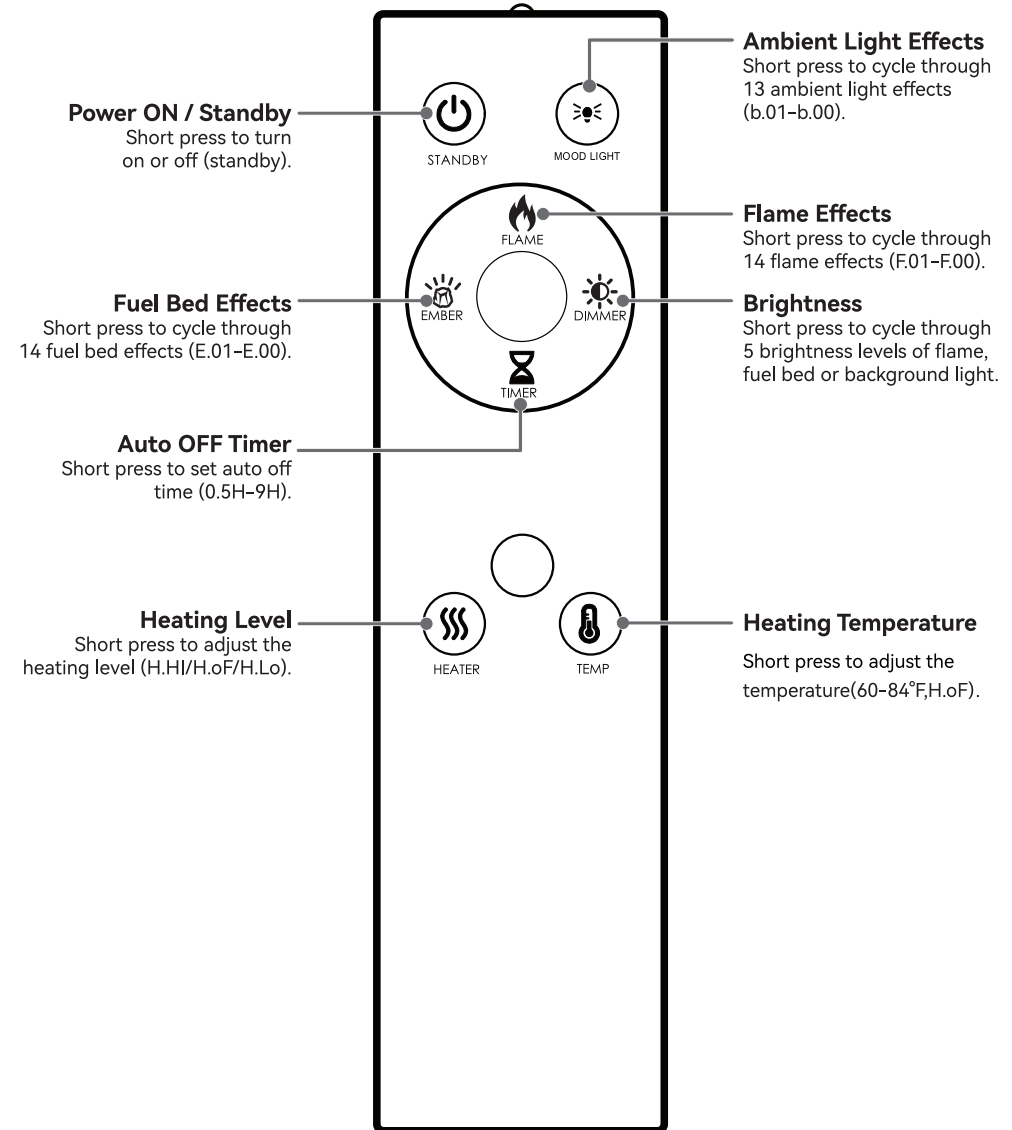
### Auto OFF Timer

- With fireplace on, press repeatedly to set a time (0.5H–9H) to turn off automatically.
- To cancel, set the timer to 0H, or turn the fireplace off.

## Using with Remote Control



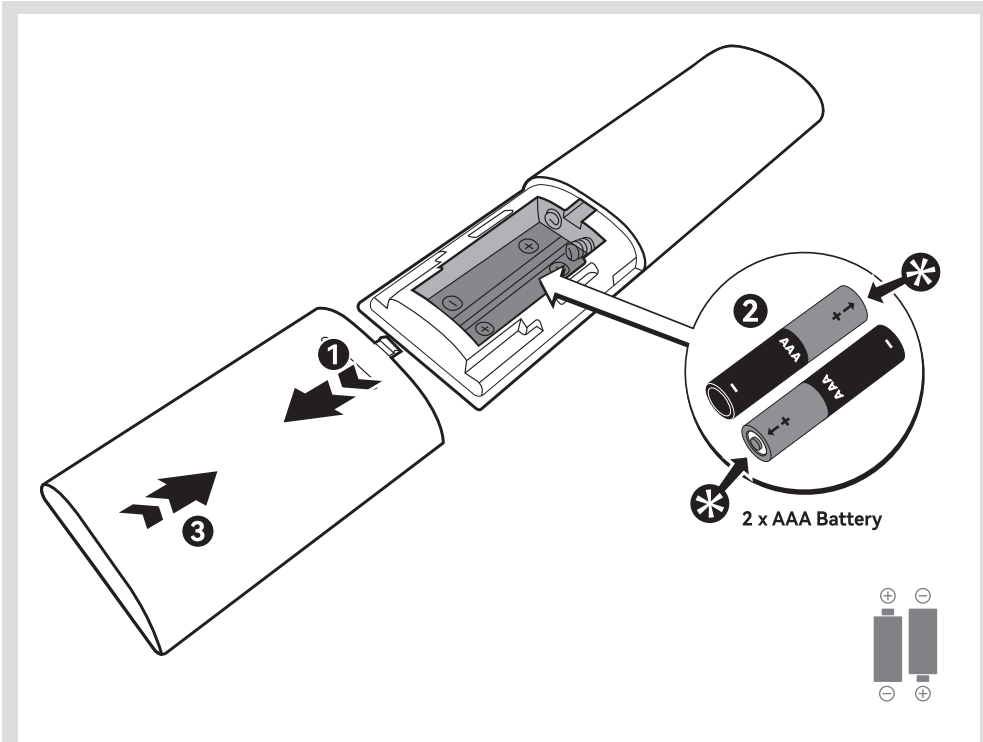
- For added convenience, the same control buttons can be found on the remote control.
- All other buttons (except mood light) are functioned the same as the control panel.



## Installing & Replacing Batteries



- Use only batteries of the same type. Two AAA batteries for the remote control.
- DO NOT mix old and new batteries.
- DO NOT mix different types of batteries, e.g., alkaline, standard (carbon-zinc), or rechargeable batteries.
- DO NOT short circuit the supply terminals.
- DO NOT use rechargeable batteries. Do not charge the non-rechargeable batteries.
- When not using for extended period of time, take out the batteries.
- Remove the exhausted batteries from the fireplace. Do not incinerate used batteries or dispose of in fire.

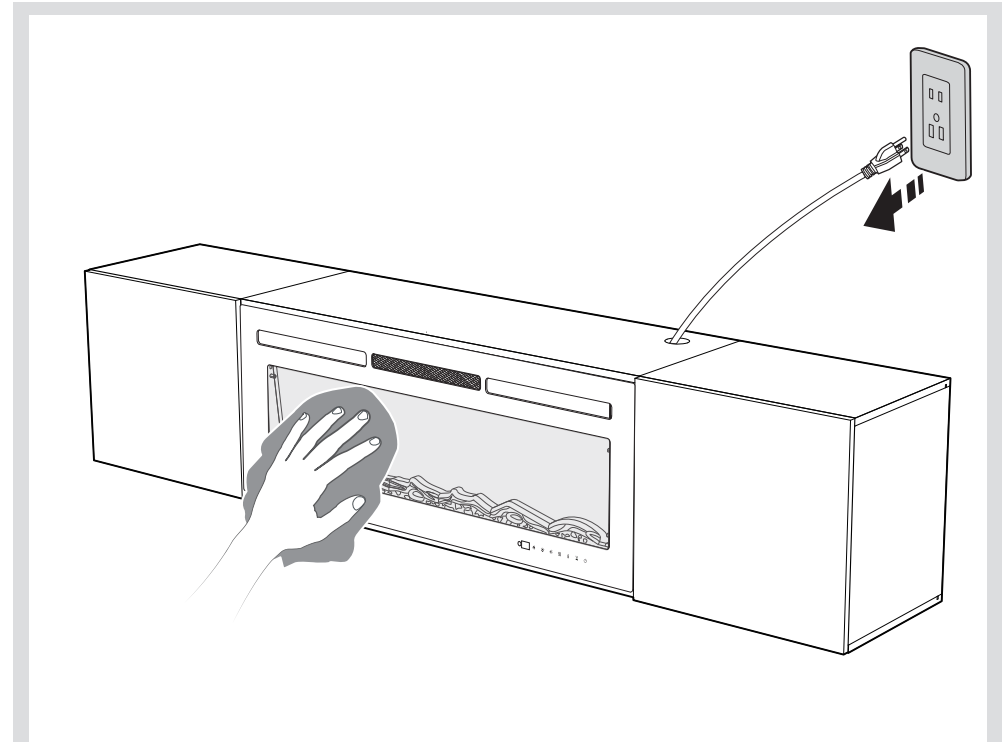


- 1 Remove the battery compartment cover along the indicated arrow.
- 2 Install or replace with two new AAA alkaline batteries, making sure the “+” and “-” polarities match.
- 3 Attach the cover back until snaps into place.

## CARE AND MAINTENANCE



- Always make sure that the fireplace is turned off and unplugged before cleaning.
- DO NOT clean with abrasive chemicals, cleaning agents or solvents.
- Never immerse in water or allow water to drip into the motor housing.



- 1 Turn the fireplace OFF, unplug and wait for it to cool down.
- 2 Wipe the surface with a soft, slightly moist cloth to remove any dirt or dust.
- 3 Clean dust in the air outlets with a vacuum cleaner or air duster.

# TROUBLESHOOTING GUIDE



The troubleshooting guide addresses the most common problems. If problems persist, feel free to contact the Customer Support

## Fireplace does not start.

## Fireplace stops heating suddenly.

## Points for attention before use.

- Check if the fireplace is properly connected to a powered electrical outlet and the voltage indicated is the same as your local supply.
- Make sure that the temperature you set is higher than the ambient temperature.
- When the set temperature is reached, the fireplace will stop heating. It will resume working when the ambient temp is lower than the set one.
- Check if you have enabled Auto OFF timer. Press the power button to turn it on again.
- To prevent a possible fire, do not cover or block the air outlets of the fireplace in any manner.
- Always plug directly into a wall outlet/receptacle. Never use with an extension cord or relocatable power tap. If you insist on using an extension cord or relocatable power tap, make sure that only the fireplace is plugged in with rating of at least 1500W.

## FCC COMPLIANCE

This device complies with Part 15 of the FCC Rules. Operation is subject to the following two conditions:

- (1) this device may not cause harmful interference, and
- (2) this device must accept any interference received, including interference that may cause undesired operation.