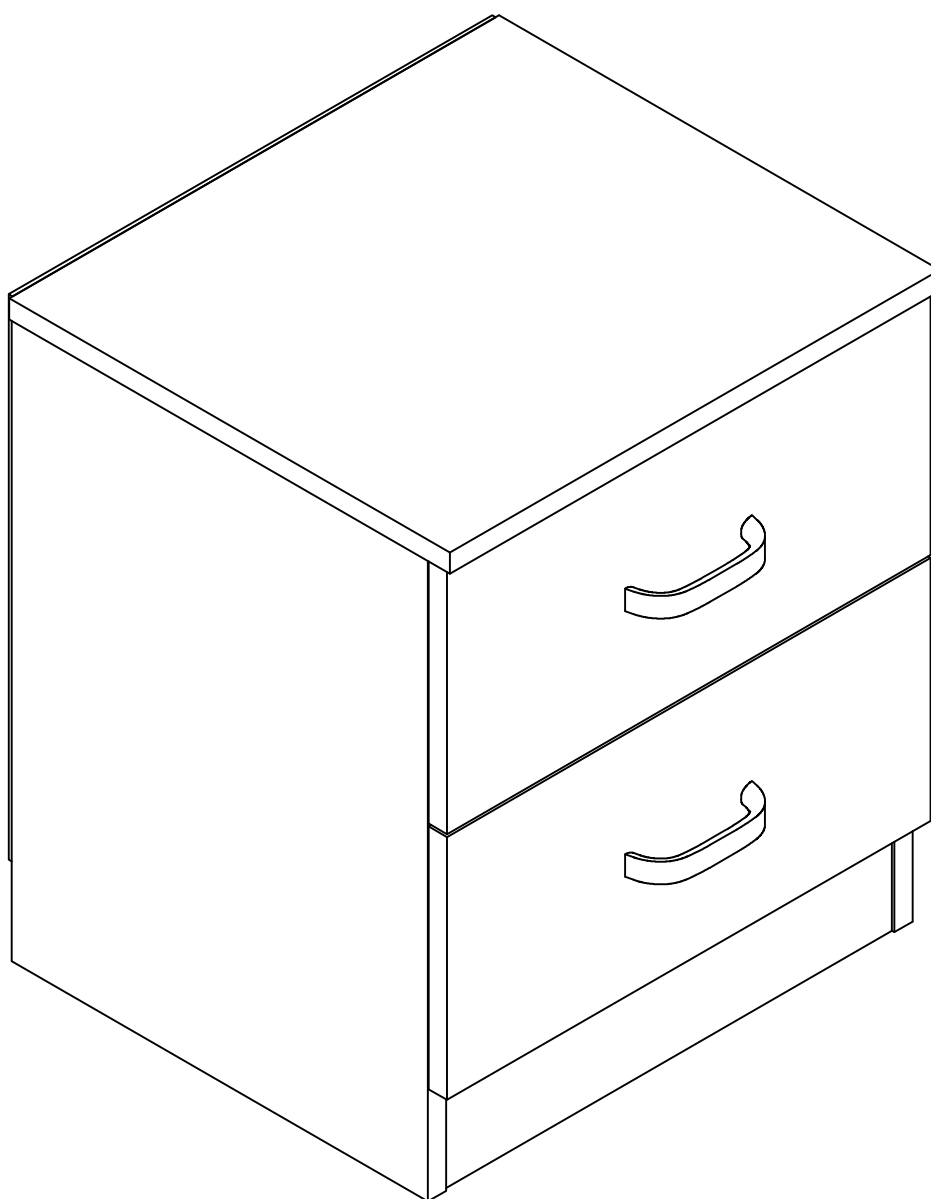


TUNIS 2 DRAWER BEDSIDE

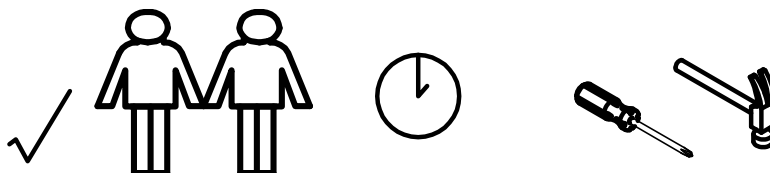
ASSEMBLY INSTRUCTION - Please Keep For Future Reference



Safety and Care Advice

IMPORTANT - Please Read This Instruction Carefully Before Assembly.

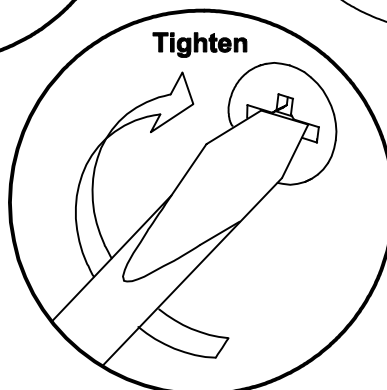
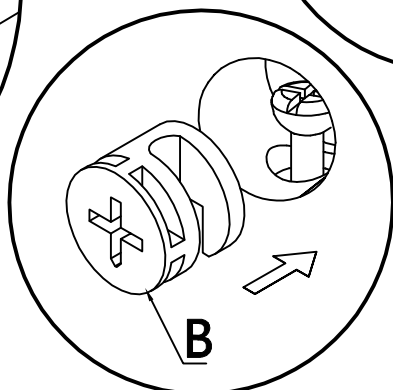
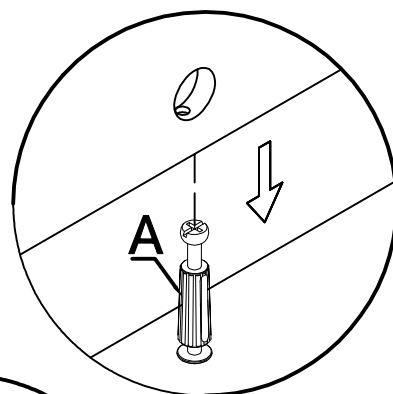
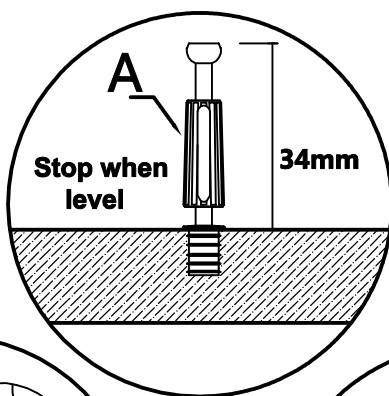
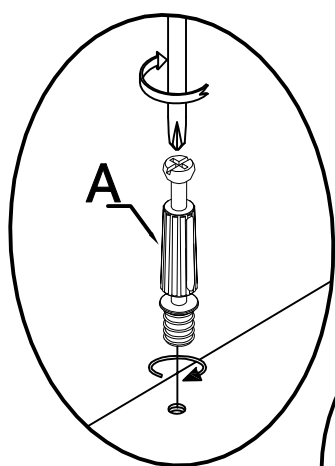
- Check you have all the components and tools listed on page 3.
- Do not stand or put weight on the product, this could cause damage.
- Do not use power drill/drivers for assembly, or the unit may be damaged.
- Remove all settings from the plastic bags and separate them into their groups.
- Assemble the item as close to it's intended position (in the same room) as possible.
- Assemble on a soft level surface to avoid damaging the unit.
- Dispose of all packaging carefully and responsibly.
- Keep children and animals away from the work area, small parts could choke if swallowed.
- Parts of the assembly will be easier with 2 people.
- Make sure you have enough space to layout the parts before assembly.



CARE and MAINTENANCE

- Only clean using a damp cloth and mild detergent, do not use bleach or abrasive cleaners.
- From time to time check that there are no loose screws on this unit.
- This product should not be discarded with household waste. Take to your local authority waste disposal center.

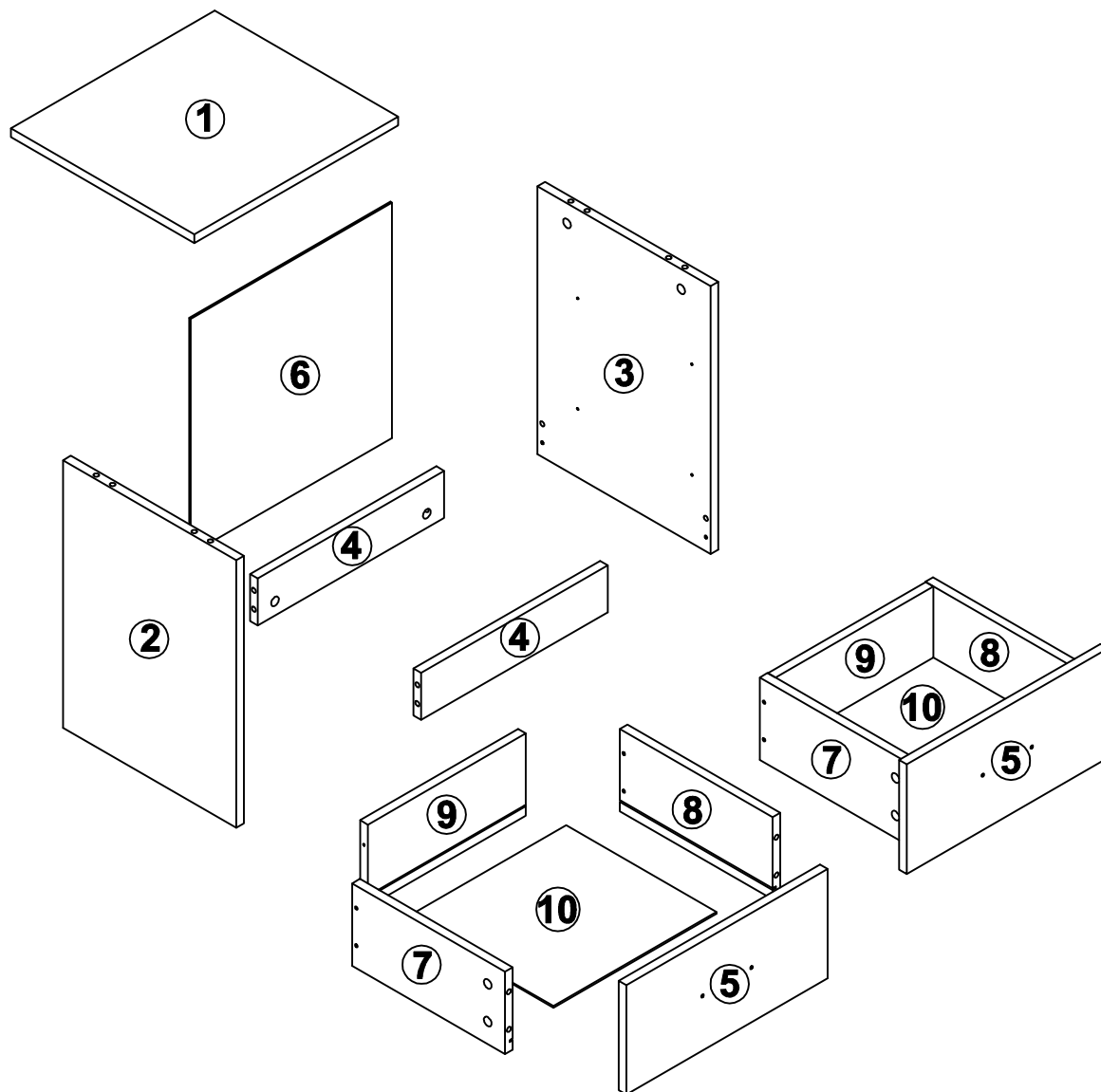
General Hints & Tips

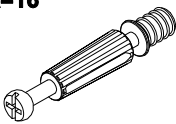
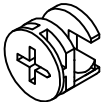
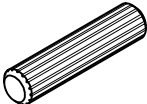
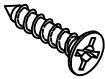
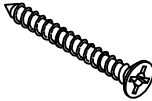







Components and Tools

IMPORTANT - Please Check If You Have All The Components and Tools.

Note: The quantities below are the correct amount to complete the assembly. In some cases more pieces may be supplied than are required.

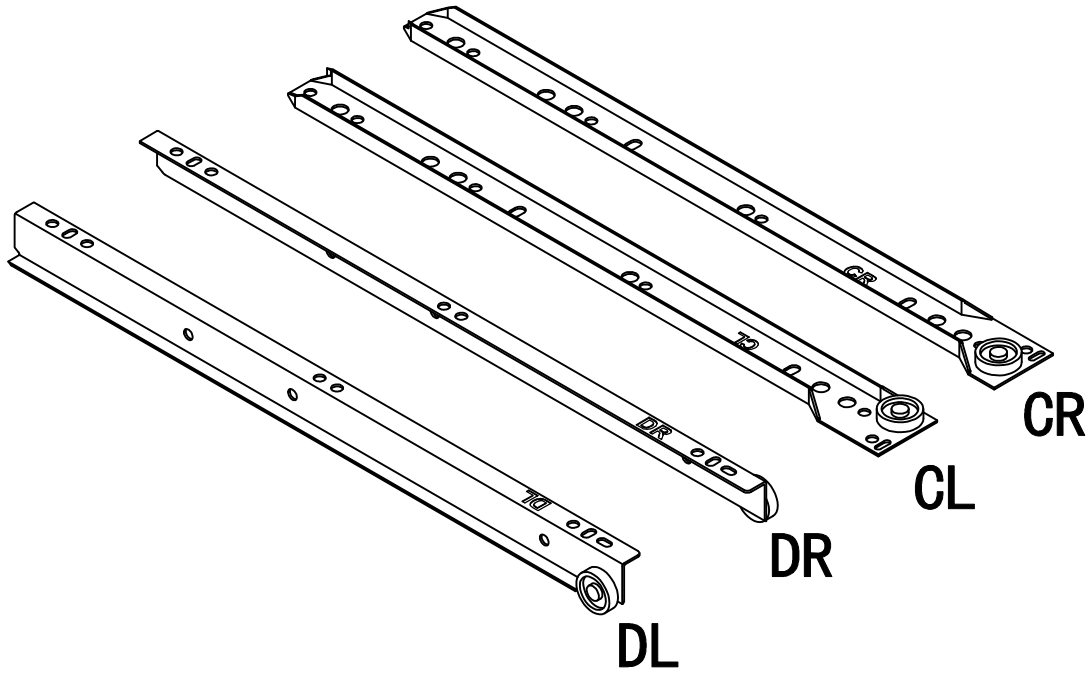


A=16  Peg M6*34mm	B=16  Lock M15*12mm	C=8  Dowel M8*30mm	D=16  Screw M3.5*14mm	E=8  Screw M4*38	F=4  Plastic Feet
G=8  Pin	H=4  Screw M4*18	I=2  Handle 96	CR CL DR DL=2  Drawer Runner(12")		

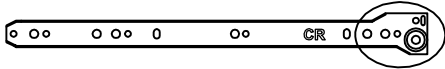
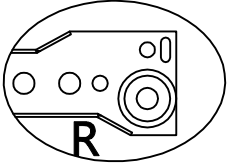
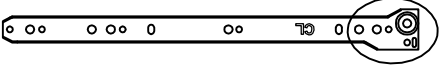
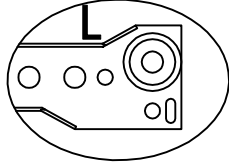

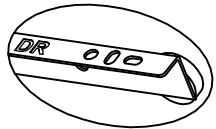
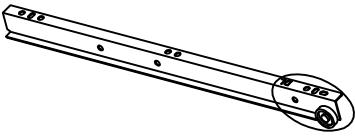
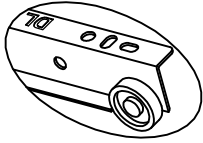
Drawer Runner Instruction

IMPORTANT - Please Read It Carefully.

NOTE: 1 PAIR DRAWER RUNNER INCLUDES 4 PIECES.



Fittings (not to scale)

NO.	DESCRIPTION	QTY		
CR	Outer Drawer Runner - Right	2PCS		
CL	Outer Drawer Runner - Left	2PCS		
DR	Inner Drawer Runner - Right	2PCS		
DL	Inner Drawer Runner - Left	2PCS		

Assembly Instruction

Step 1

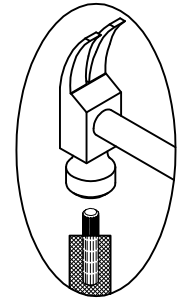
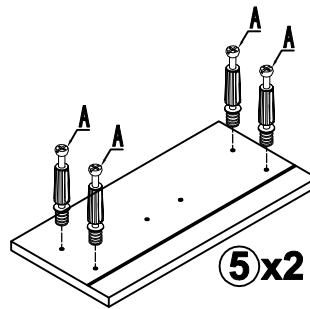
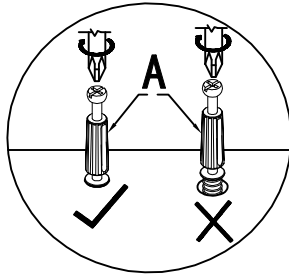
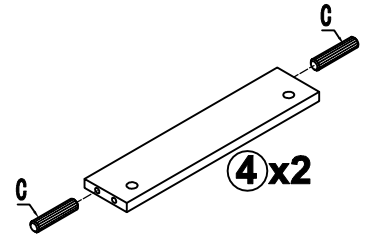
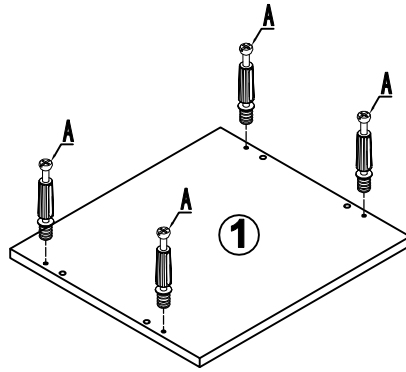
A=12

C=4



Peg

Dowel



Step 2

A=4

C=4

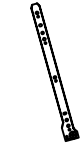


Peg

Dowel

D=8

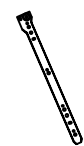
CL=2



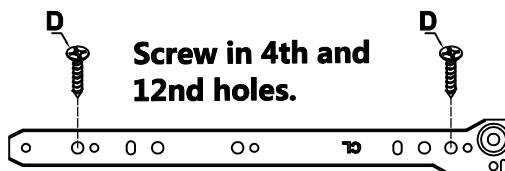
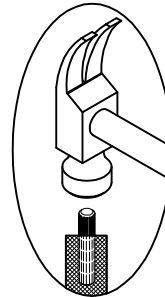
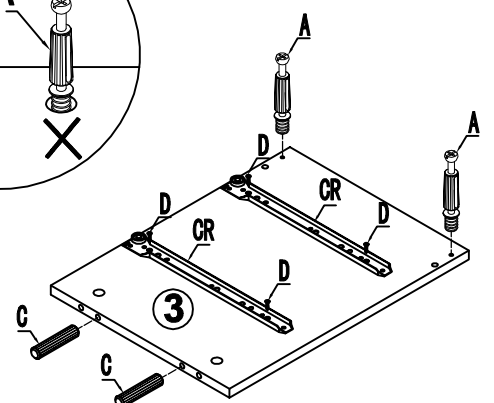
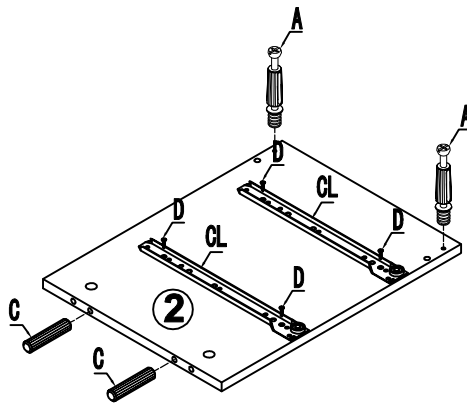
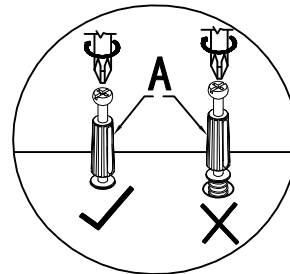
Screw
M3.5*14mm

Runner

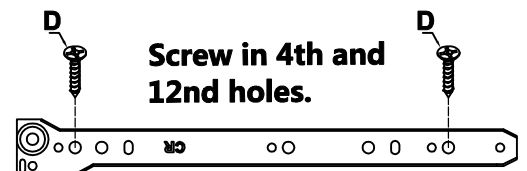
CR=2



Runner



Screw in 4th and
12nd holes.



Screw in 4th and
12nd holes.

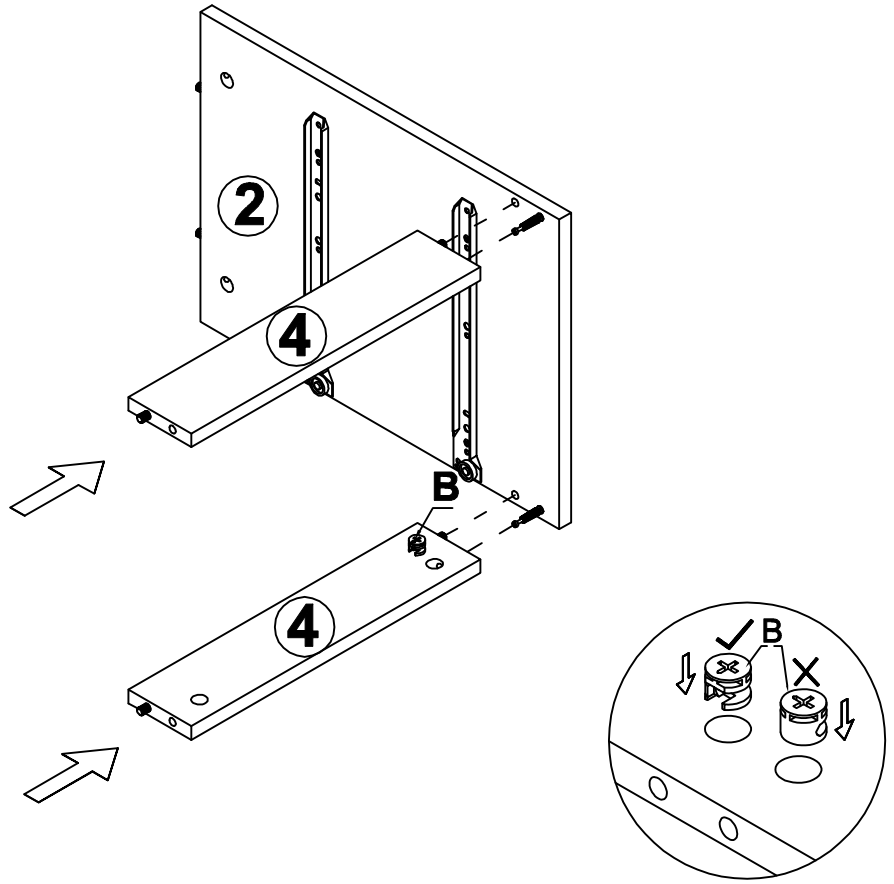
Assembly Instruction

Step 3

B=2



Lock
M15*12

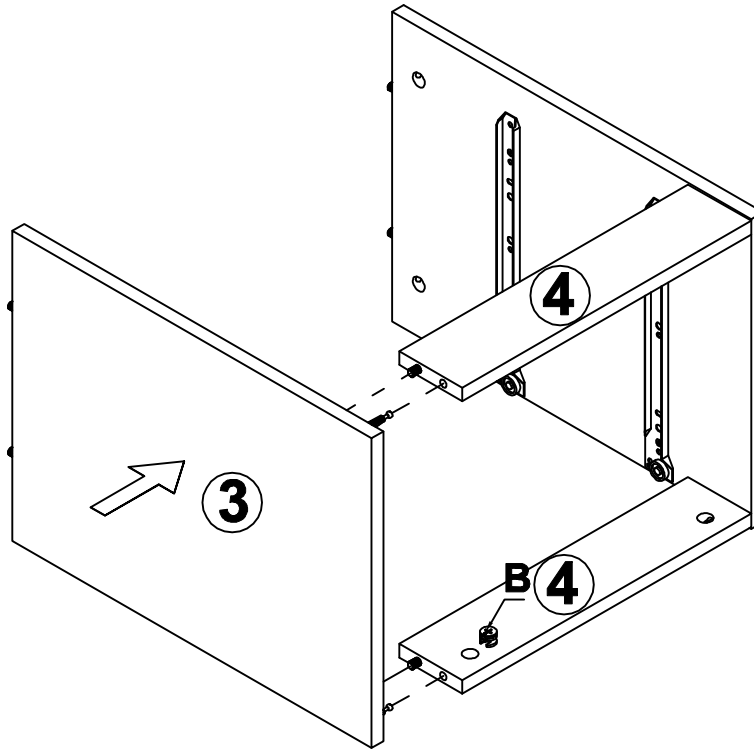


Step 4

B=2



Lock
M15*12



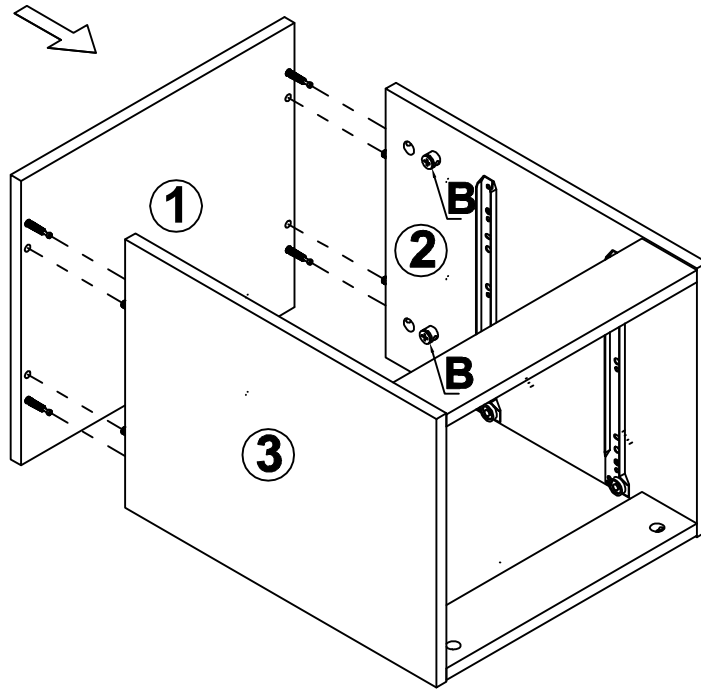
Assembly Instruction

Step 5

B=4



Lock
M15*12



Step 6

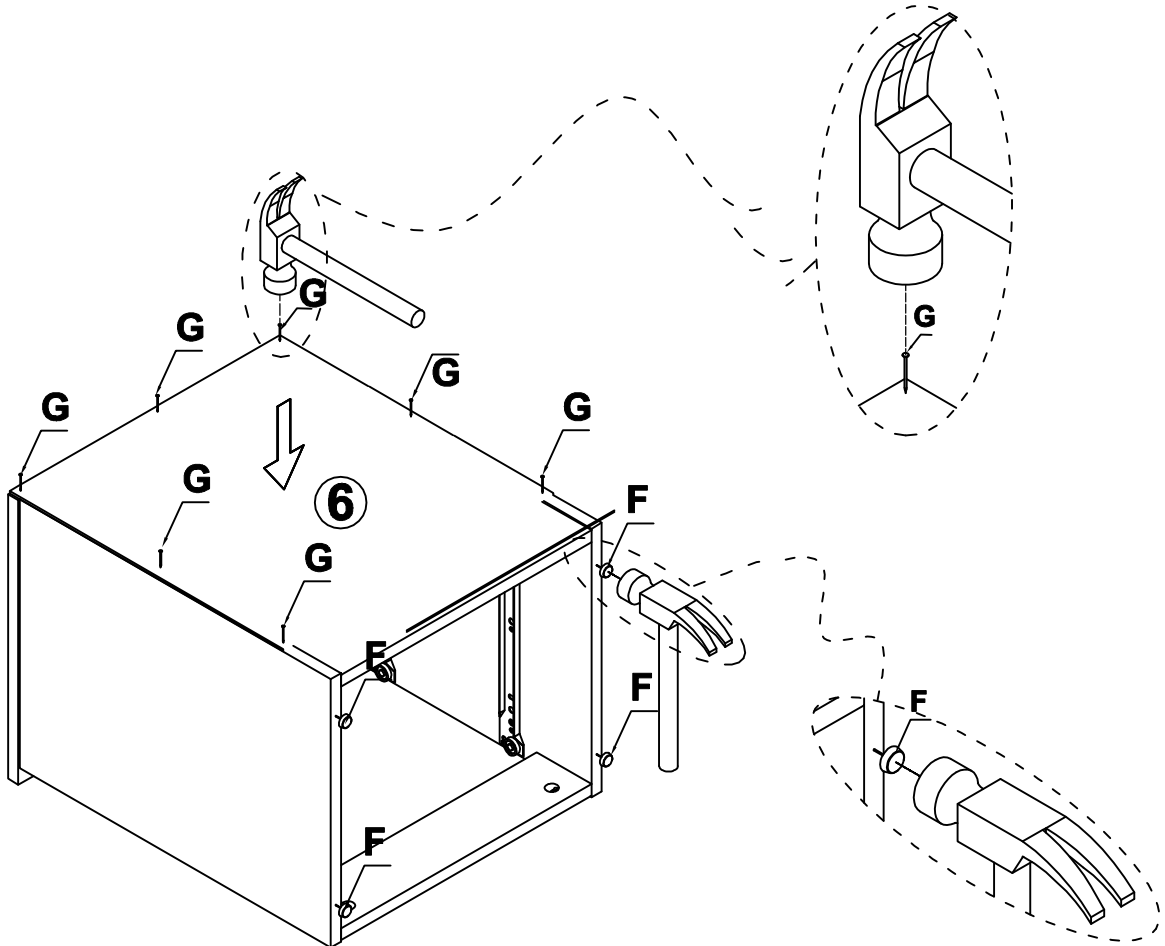
G=8

F=4





Pin

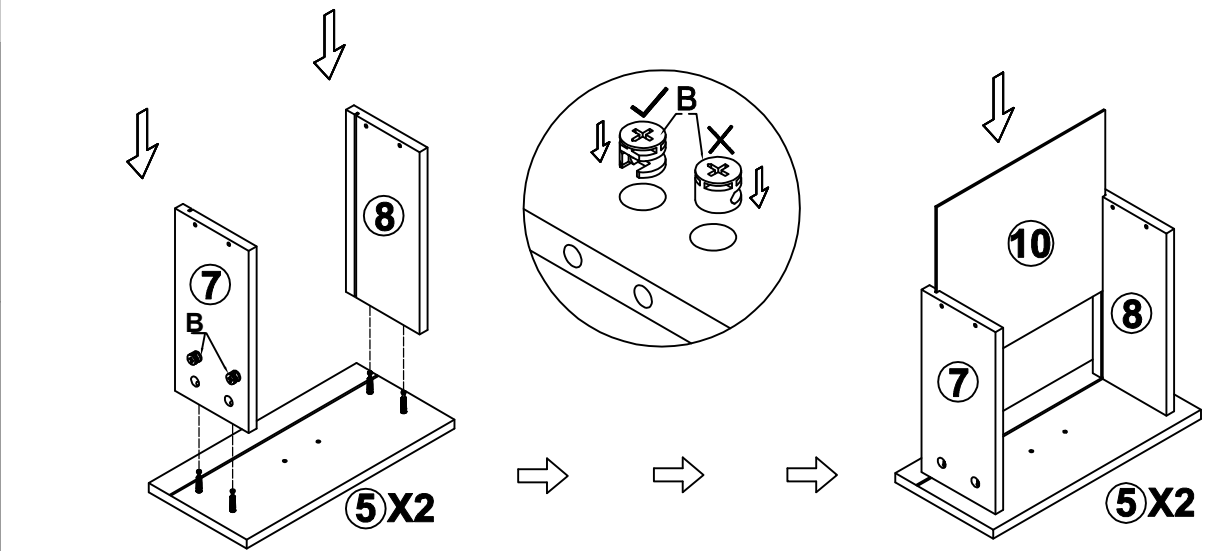
Plastic
Feet






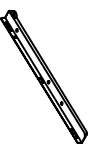

Assembly Instruction

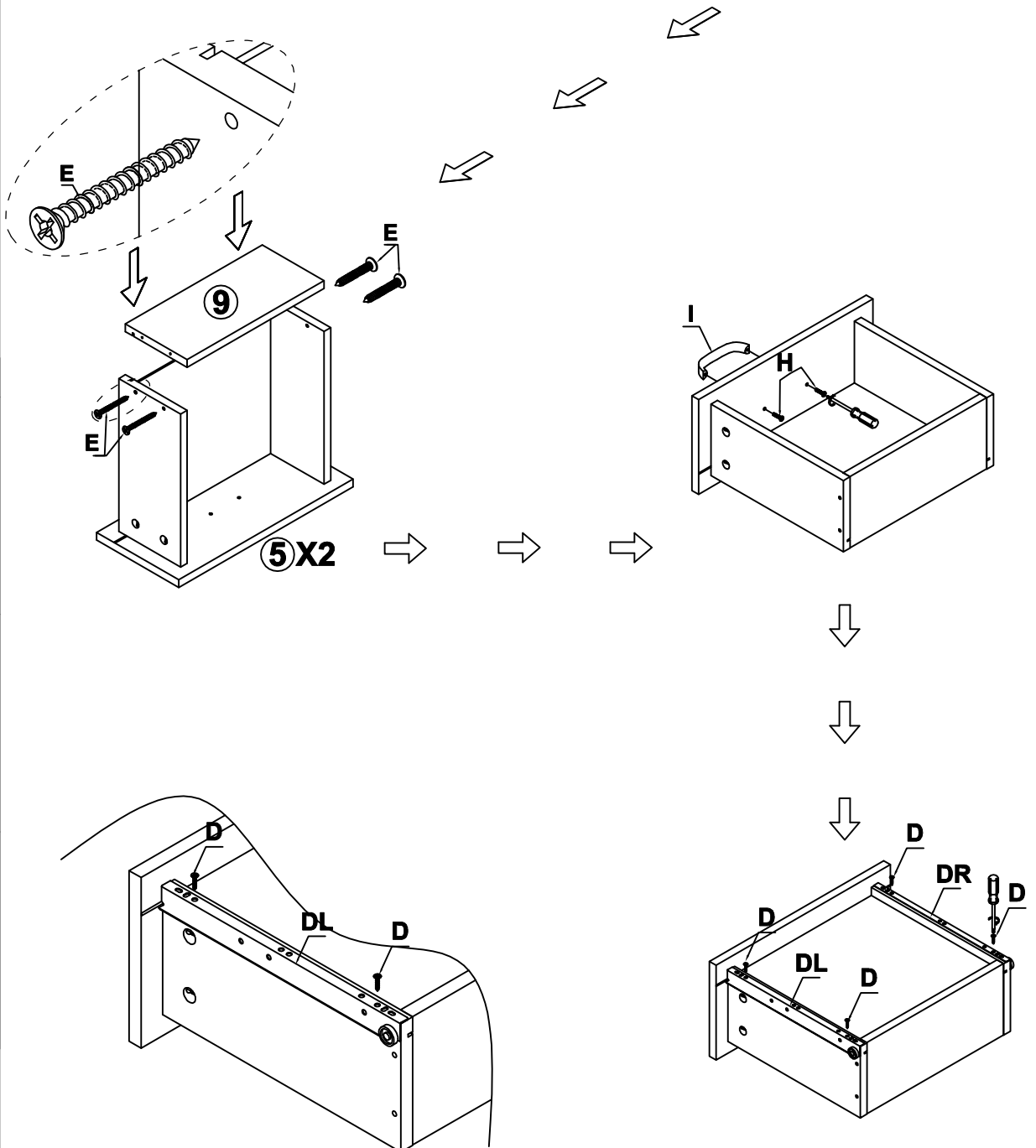
Step 7

B=8	E=8
	
Lock M15*12	Screw M4*38mm



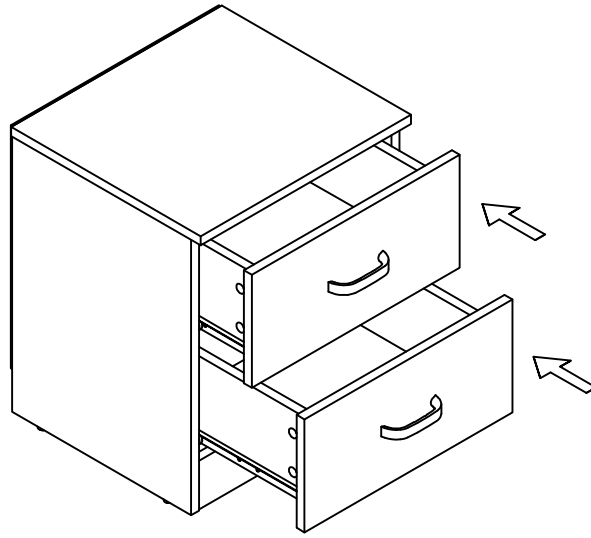
Step 8

D=8	H=4
	
Screw M3.5*14mm	Screw
I=2	DL=2
	
Handle	Drawer Runner
DR=2	
	
Drawer Runner	

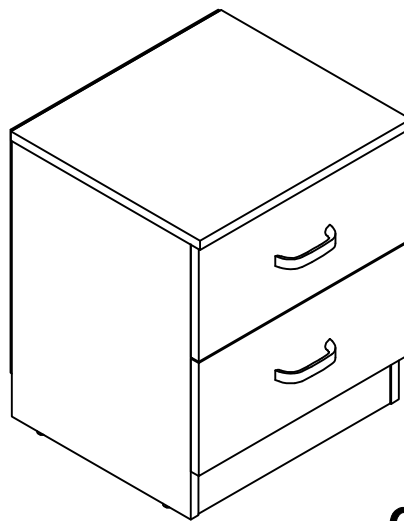


Assembly Instruction

Step 9



Step 10



OK