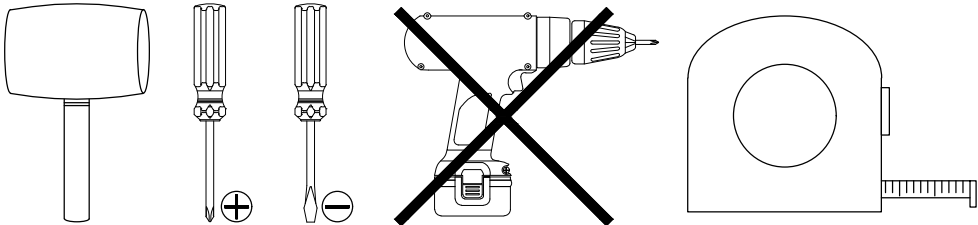


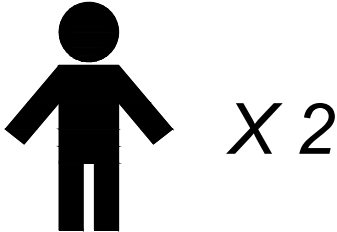
AUTUMN 5 DRAWER CHEST



TOOL REQUIRED



PERSON REQUIRED



IMPORTANT - PLEASE READ CAREFULLY

To protect your furniture, we suggest the following :

- Read the assembly instructions carefully and ensure all components and hardware are present.
- Pay close attention to all the components needed for the step, particularly the ones that are identical (e.g., Left-Right).
- Please make sure you have enough space and people to assemble the product securely.
- To minimize needless product movement once constructed, all components are assembled as close to their intended use as feasible.
- To avoid damaging the product during assembly, please avoid using power tools and over-tightening any fittings.

To protect your furniture, we suggest the following :

- Do not place furniture directly under windows.
- Avoid placing your furniture in direct sunlight.
- Avoid putting knives, forks, and other sharp objects straight onto your furniture as they could scratch and harm the finish.
- To clean your furniture, use an absorbent cloth that is soft, dry, and free of lint. Avoid using detergents since they could include substances that react and harm the finish.
- Clean up spills quickly. Water left over a prolonged period of time may cause damage. Alcohol, perfume, nail polishes, aftershave and some medication may cause severe finish damage if not cleaned immediately.

ASSEMBLY INSTRUCTION

MODEL : AUTUMN 5 DRAWER CHEST

Thanks you for purchasing this quality product. Be sure to lay all components on a soft and clean surface before assembly in order to avoid components from being scratched.

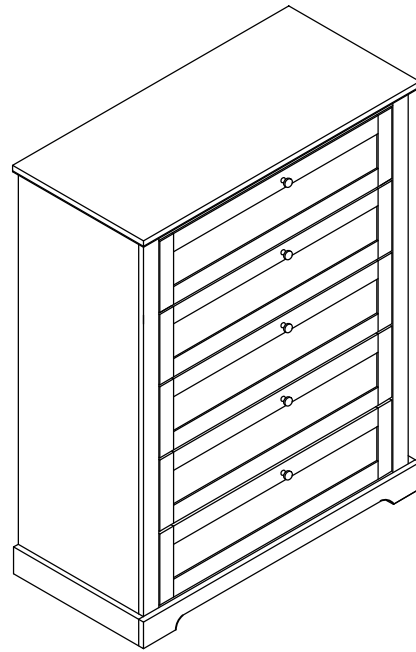
CAUTIONS :

1. Check contents against list for quantity.
2. Familiarize yourself with the components and hardware by reviewing the Assembly Instructions.
3. Do not over tightened the screws and bolts as it may damage the threads.

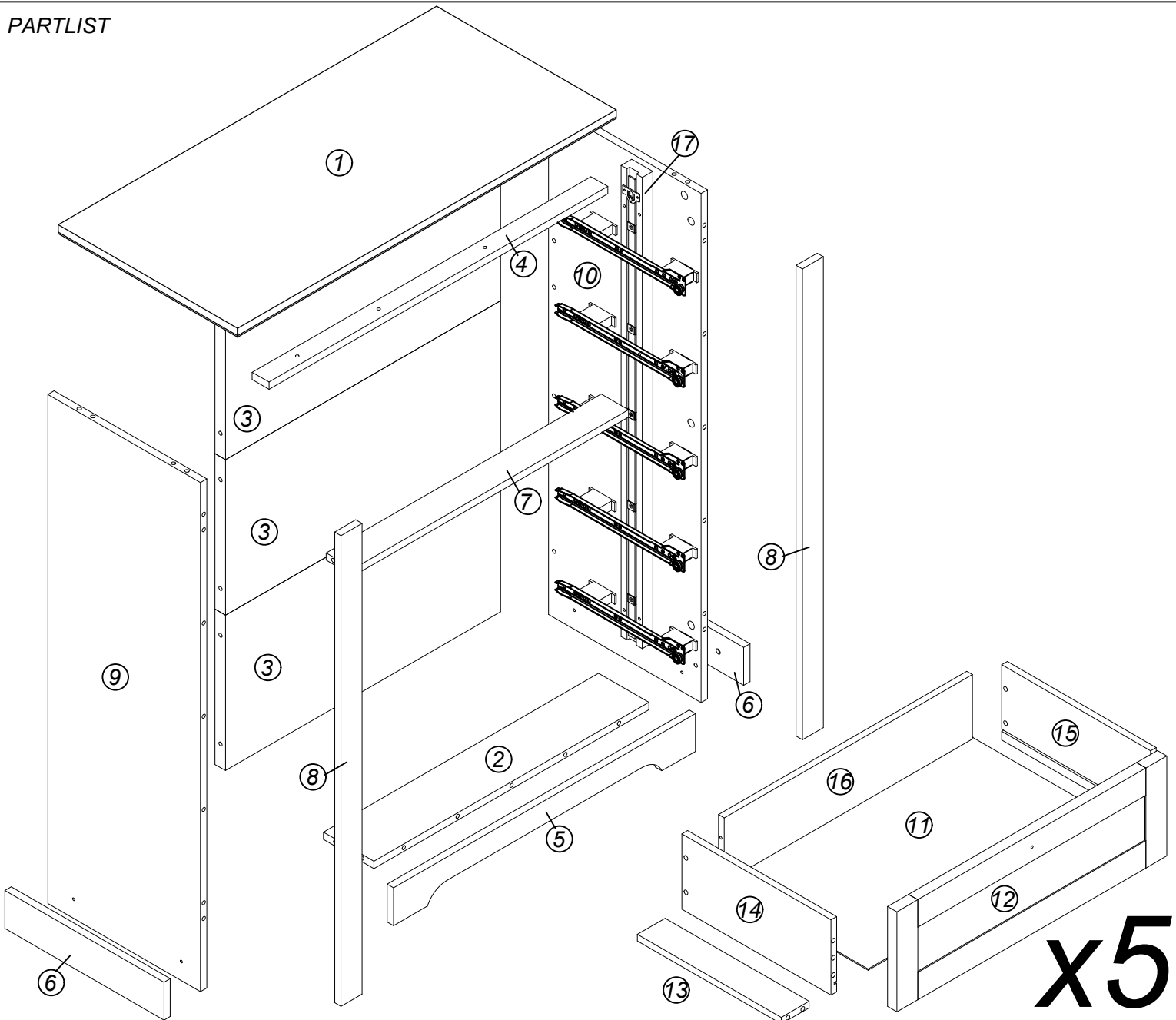
PAGE : 1 OF 8

FULL SETUP

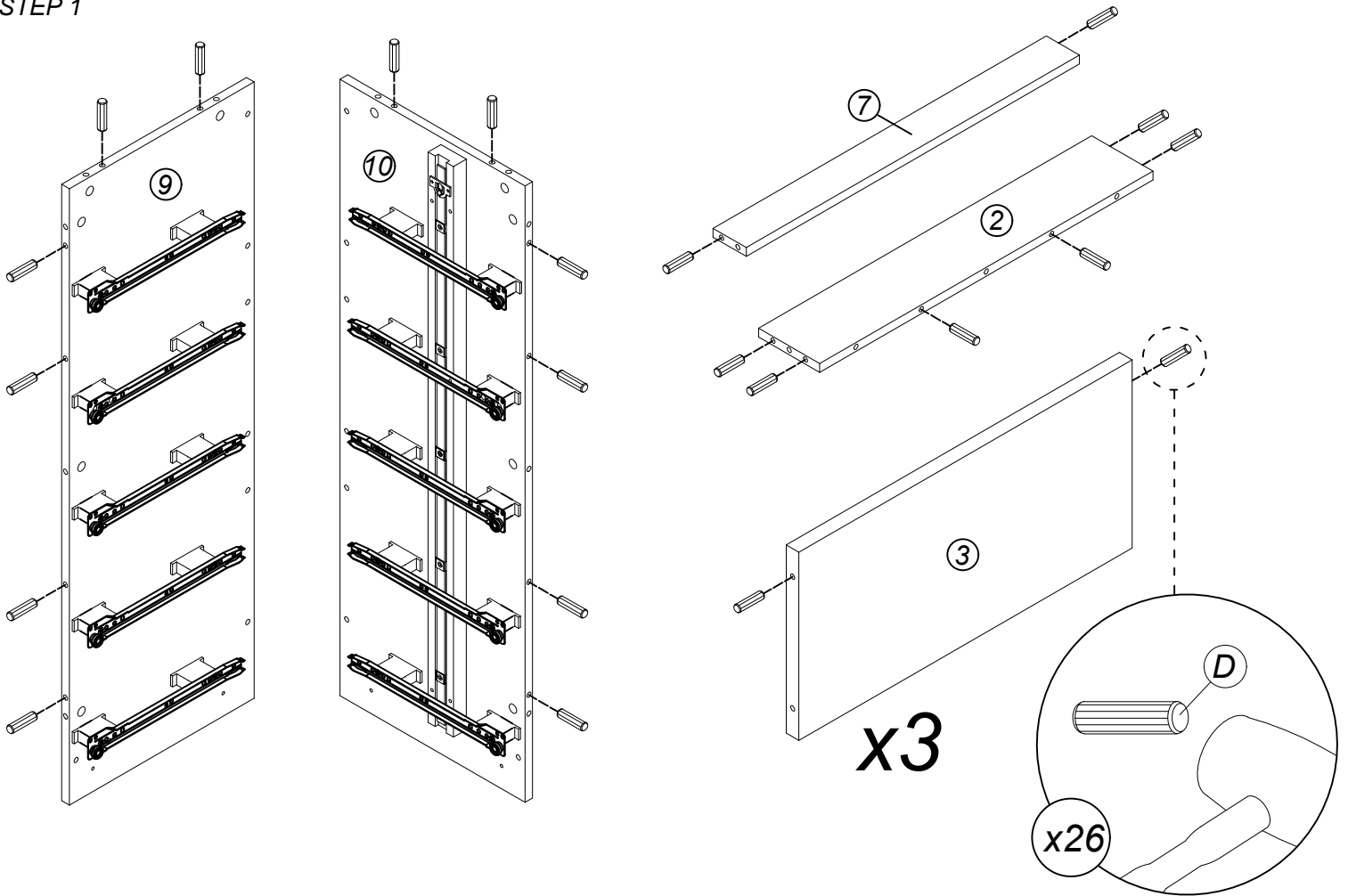
NO	DESCRIPTION	QTY
A	MINIFIX 16MM	23
B	MINICAM 16MM	23
C	ALLEN KEY	1
D	DOWEL 8 X 30 MM	26
E	HANDLE KNOB	5
F	SCREW HANDLE M3.5 X 24 MM	5
G	CSK M4 X 25 MM	8
H	E.V.A RUBBER FOAM 15 X 30 X 2mm	4
I	CSK M4 X 32 MM	20
J	STOPPER RIGHT	5
K	PAN HEAD M3.5 X 16MM	15
L	MINIFIX 5807 (12mm)	10
M	MINICAM 5574 (12mm)	10
N	WOOD DOWEL 6 X 30MM	40



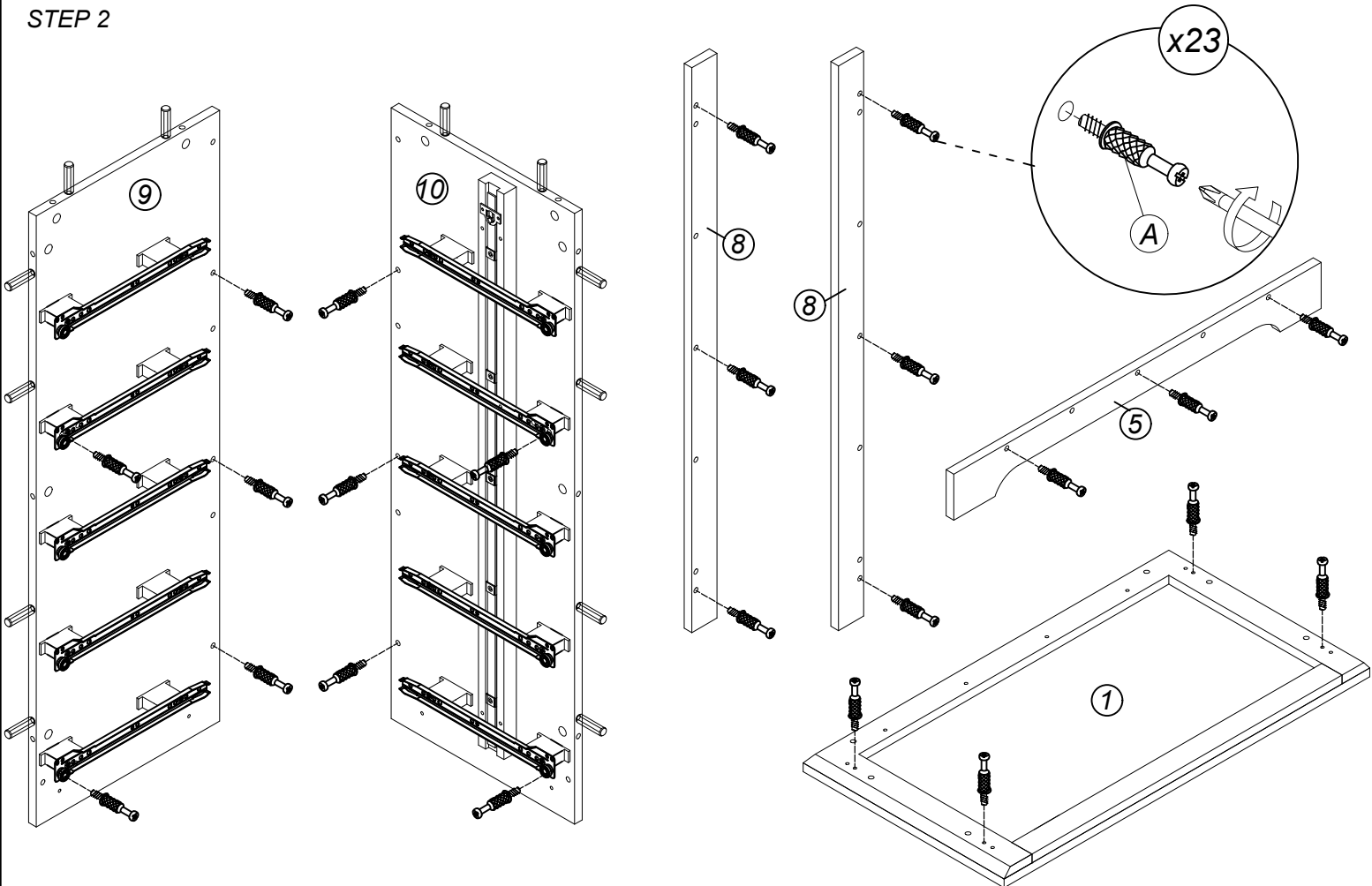
PARTLIST



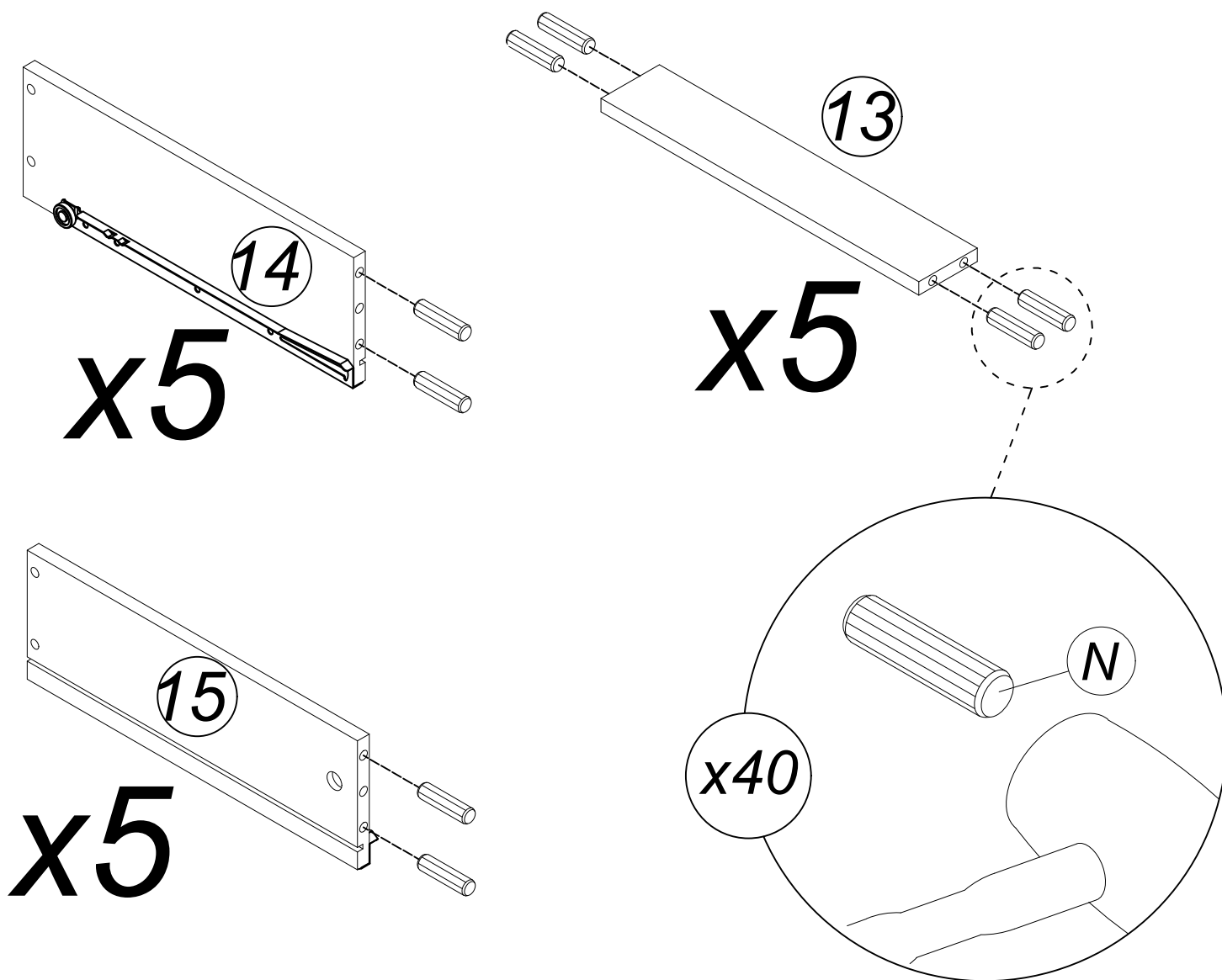
STEP 1



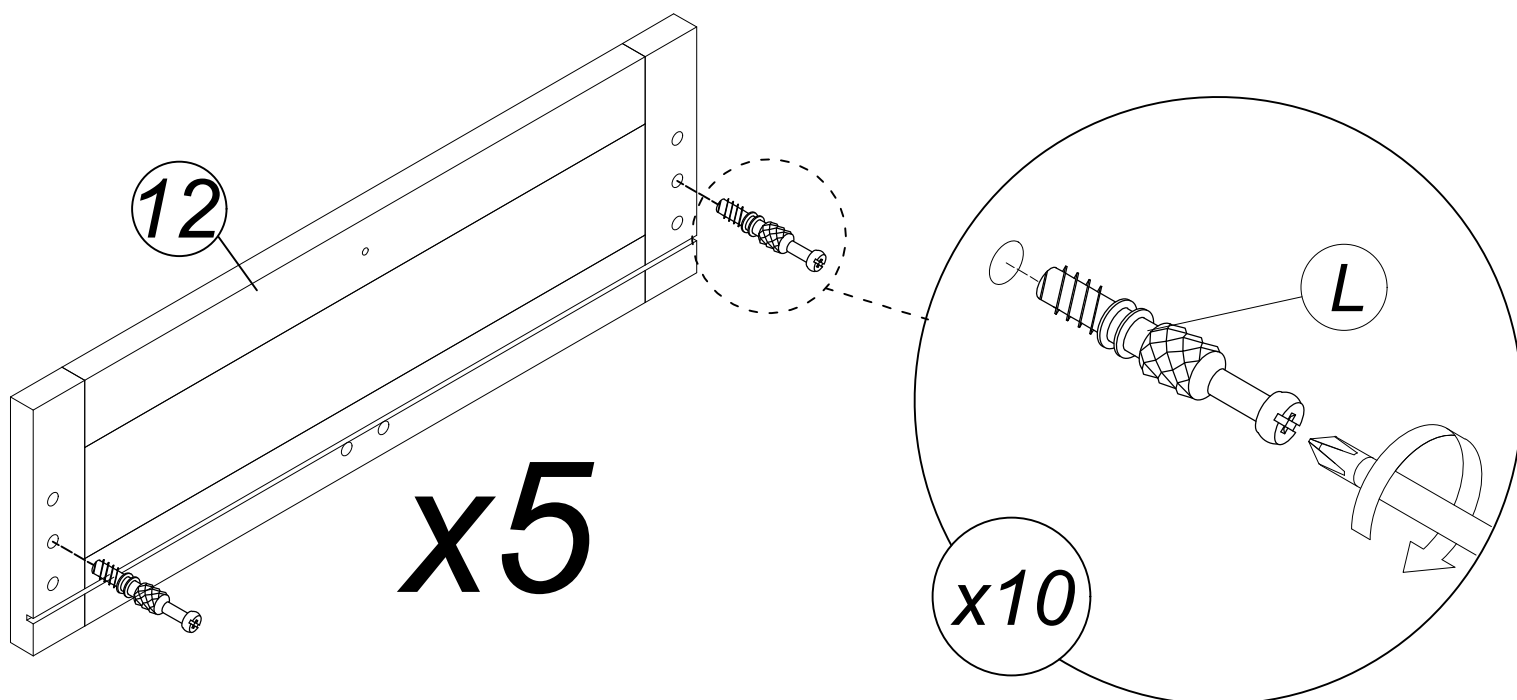
STEP 2



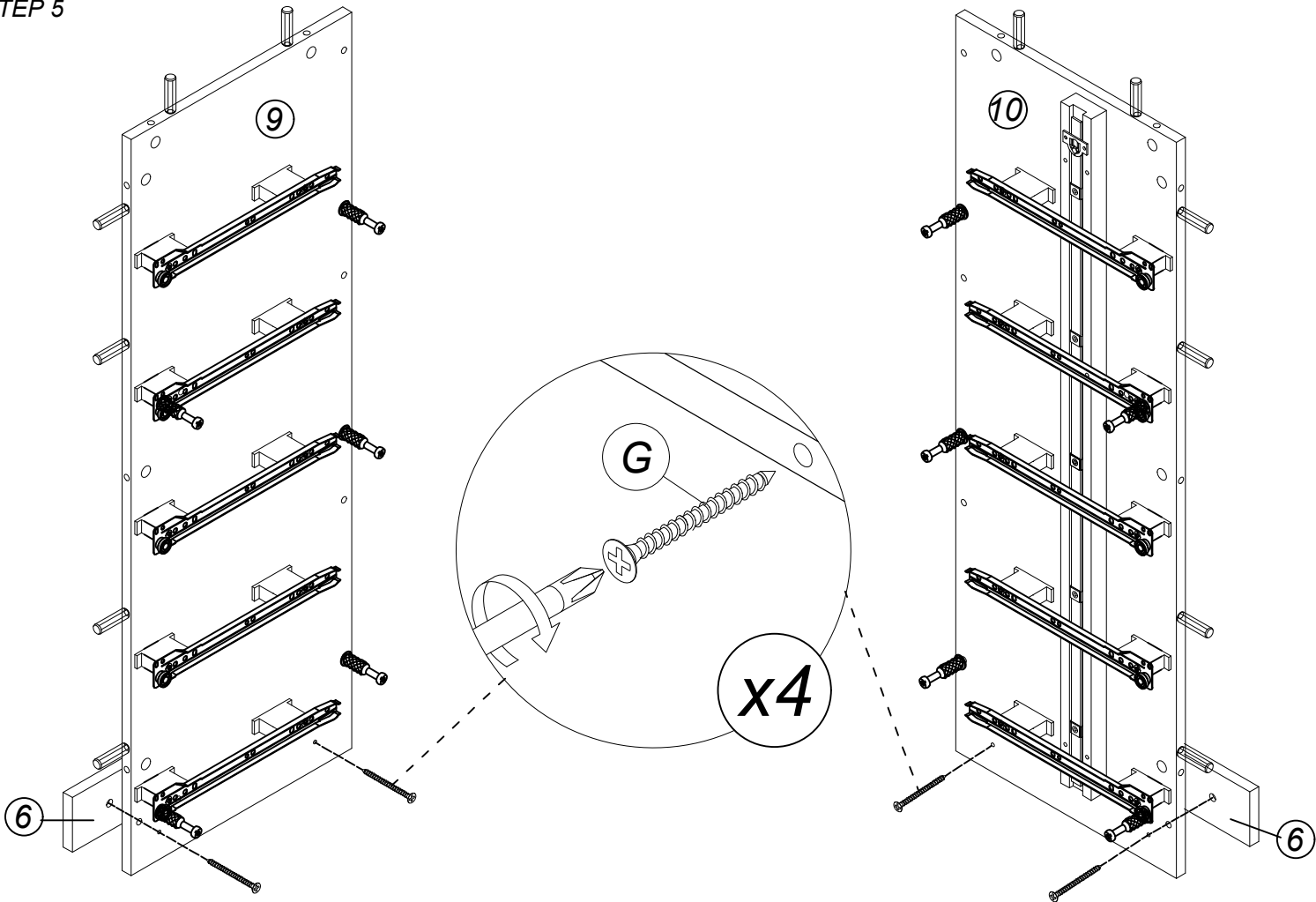
STEP 3



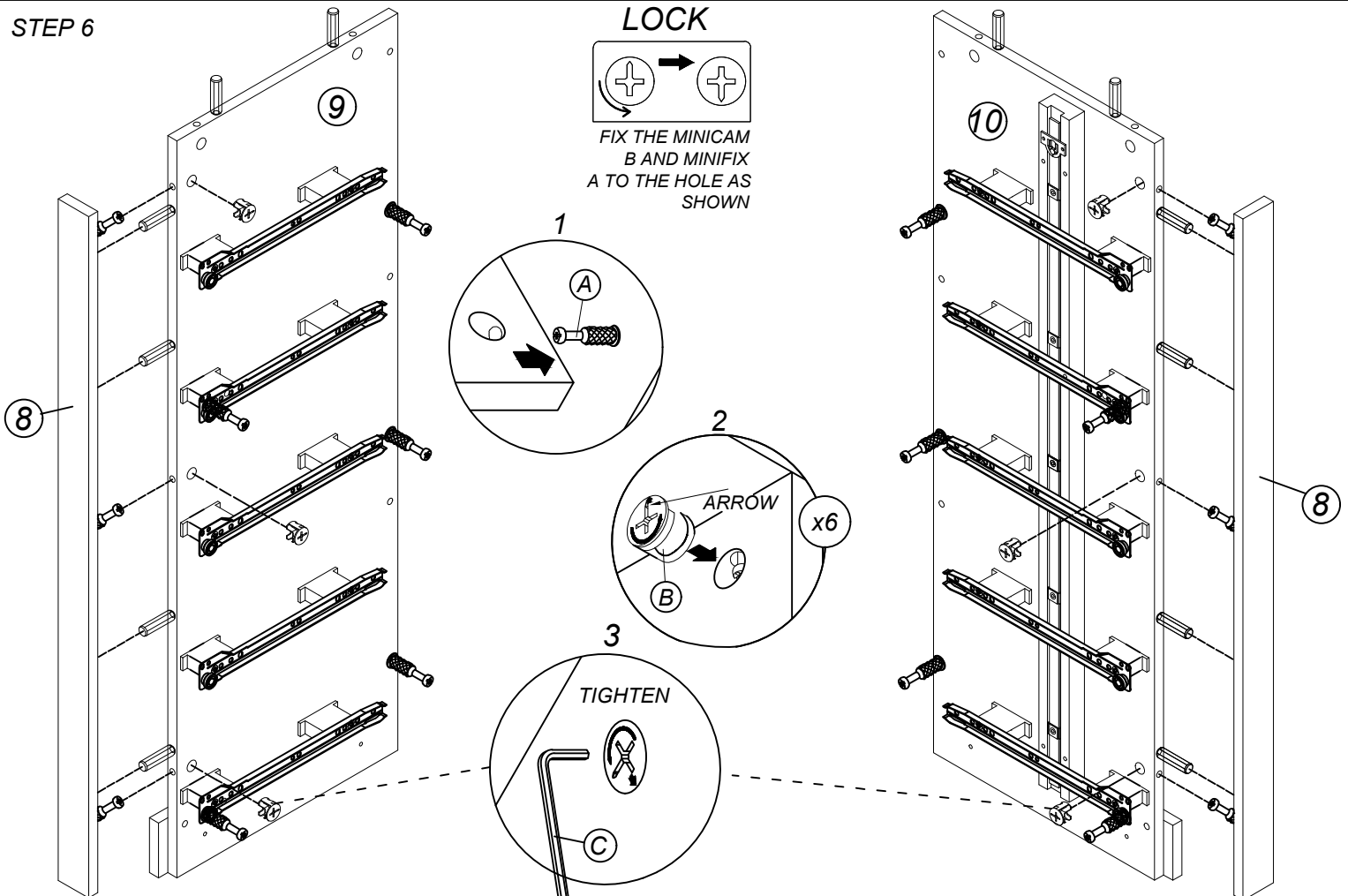
STEP 4



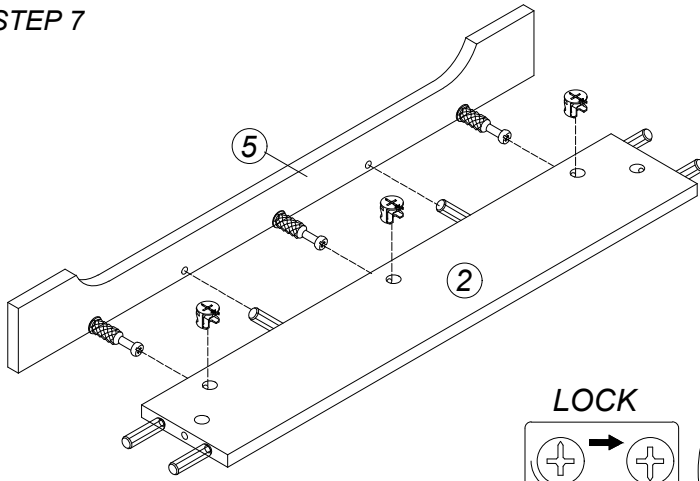
STEP 5



STEP 6

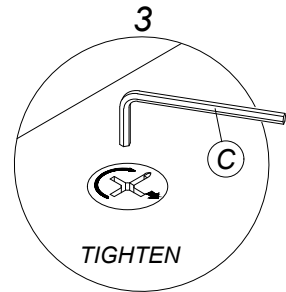
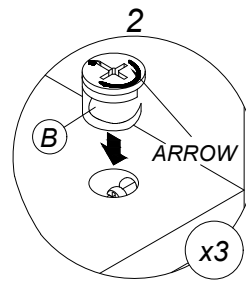
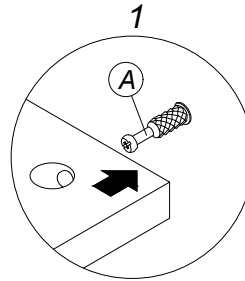


STEP 7



LOCK

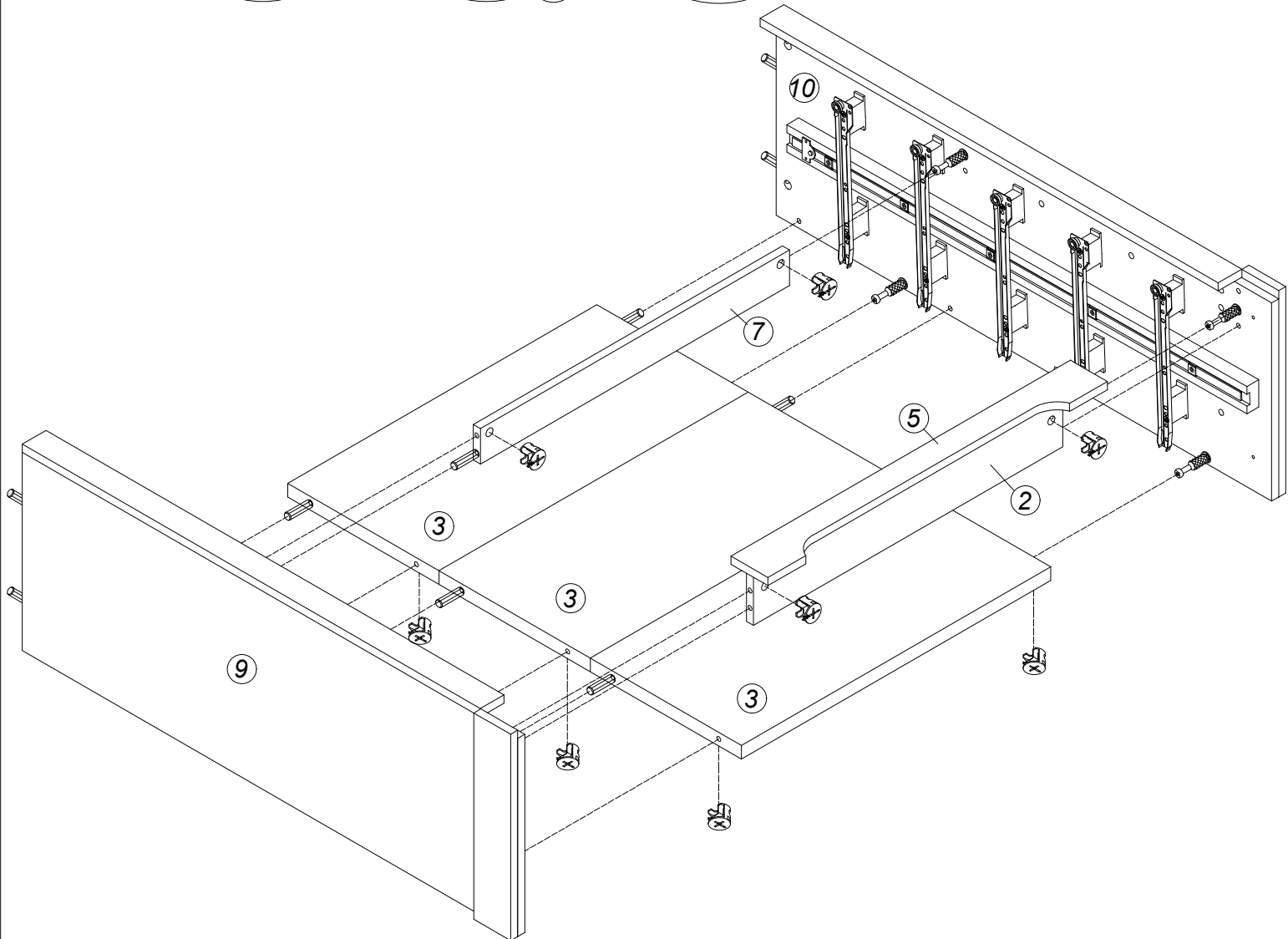
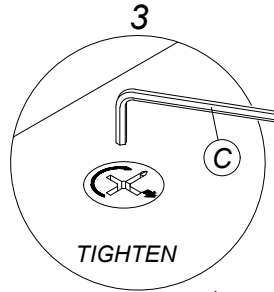
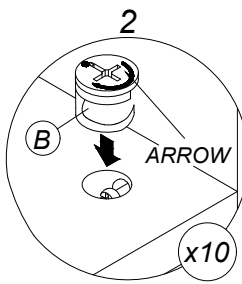
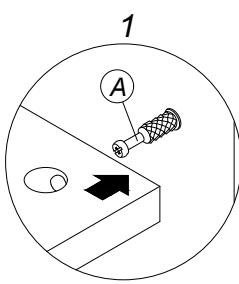
FIX THE MINICAM
B AND MINIFIX
A TO THE HOLE AS
SHOWN



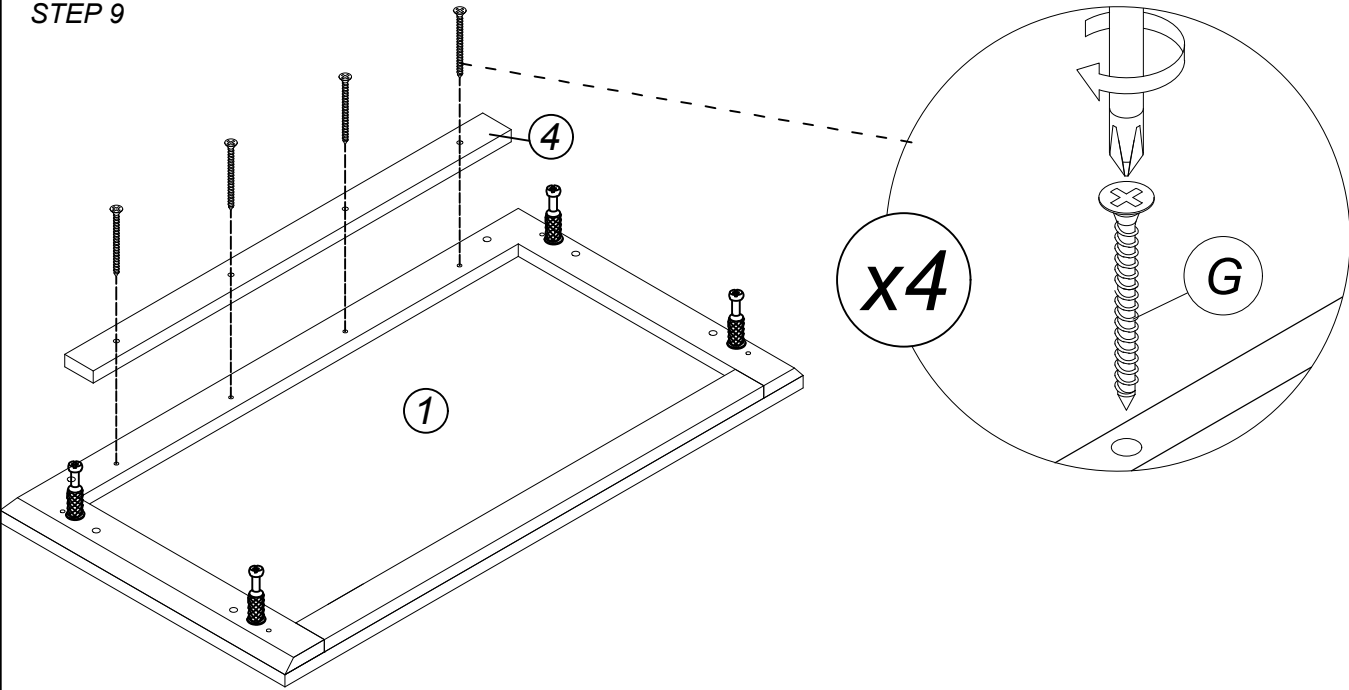
STEP 8

LOCK

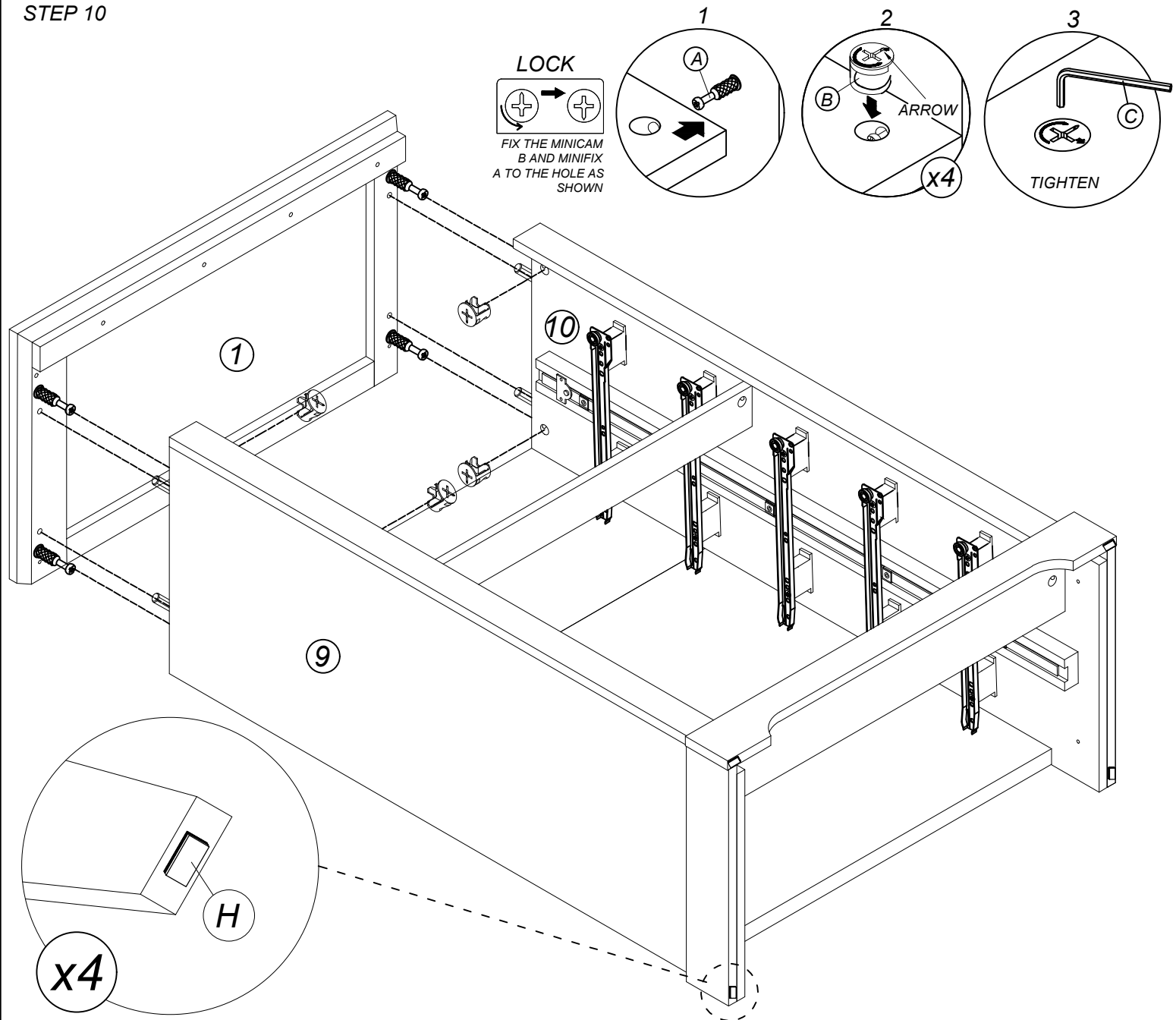
FIX THE MINICAM
B AND MINIFIX
A TO THE HOLE AS
SHOWN



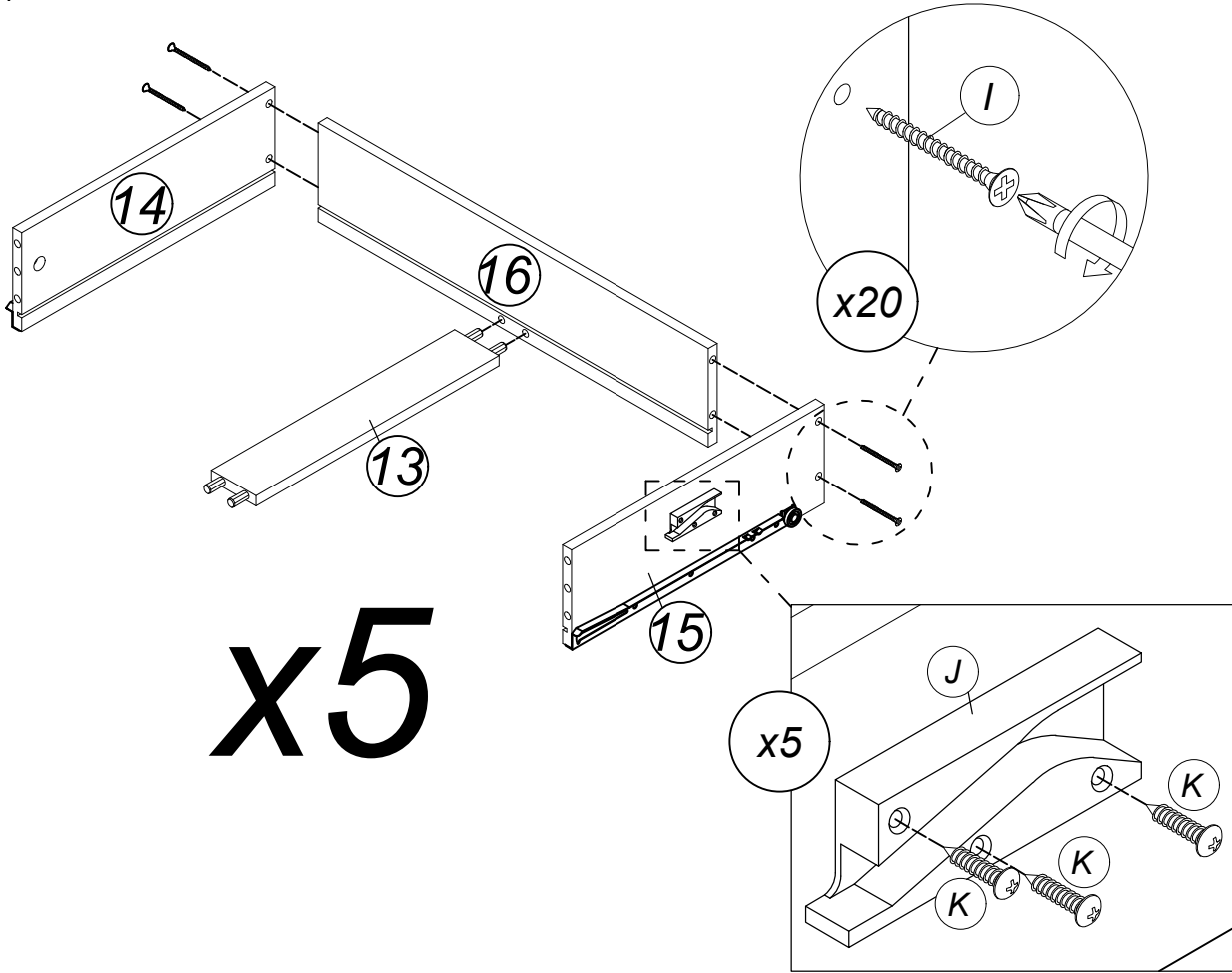
STEP 9



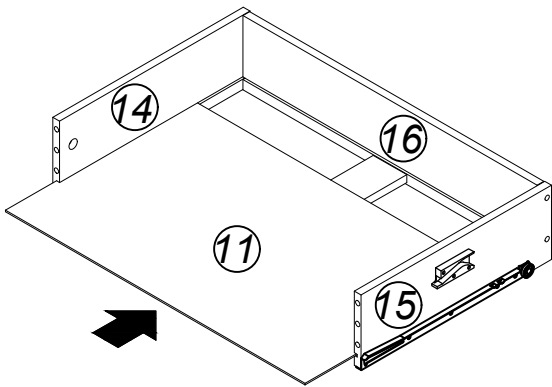
STEP 10



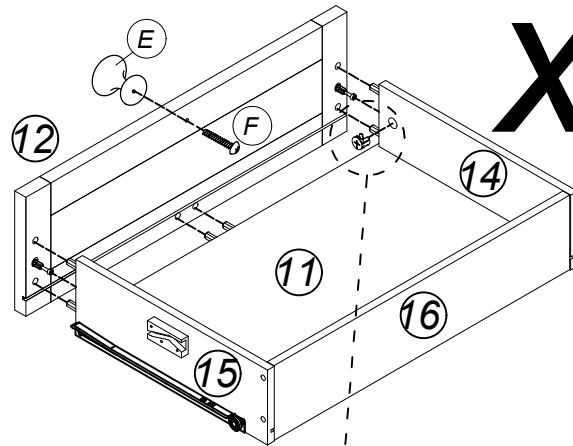
STEP 11



STEP 12

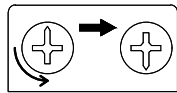


STEP 12

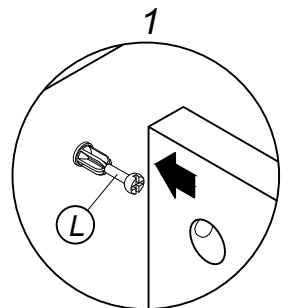
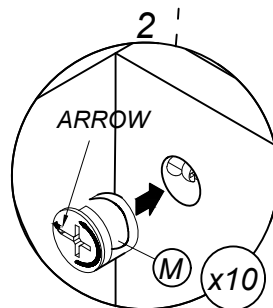
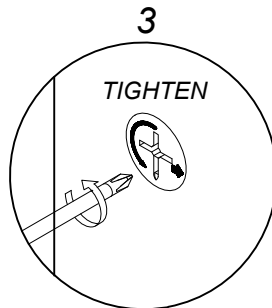


x5

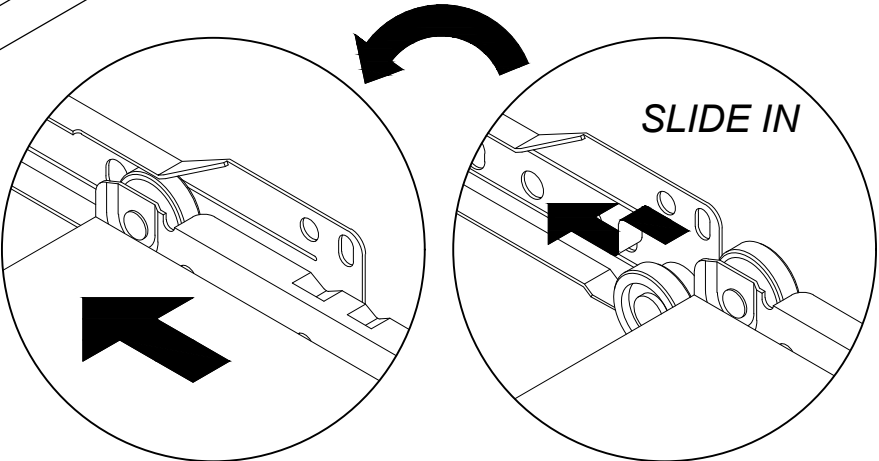
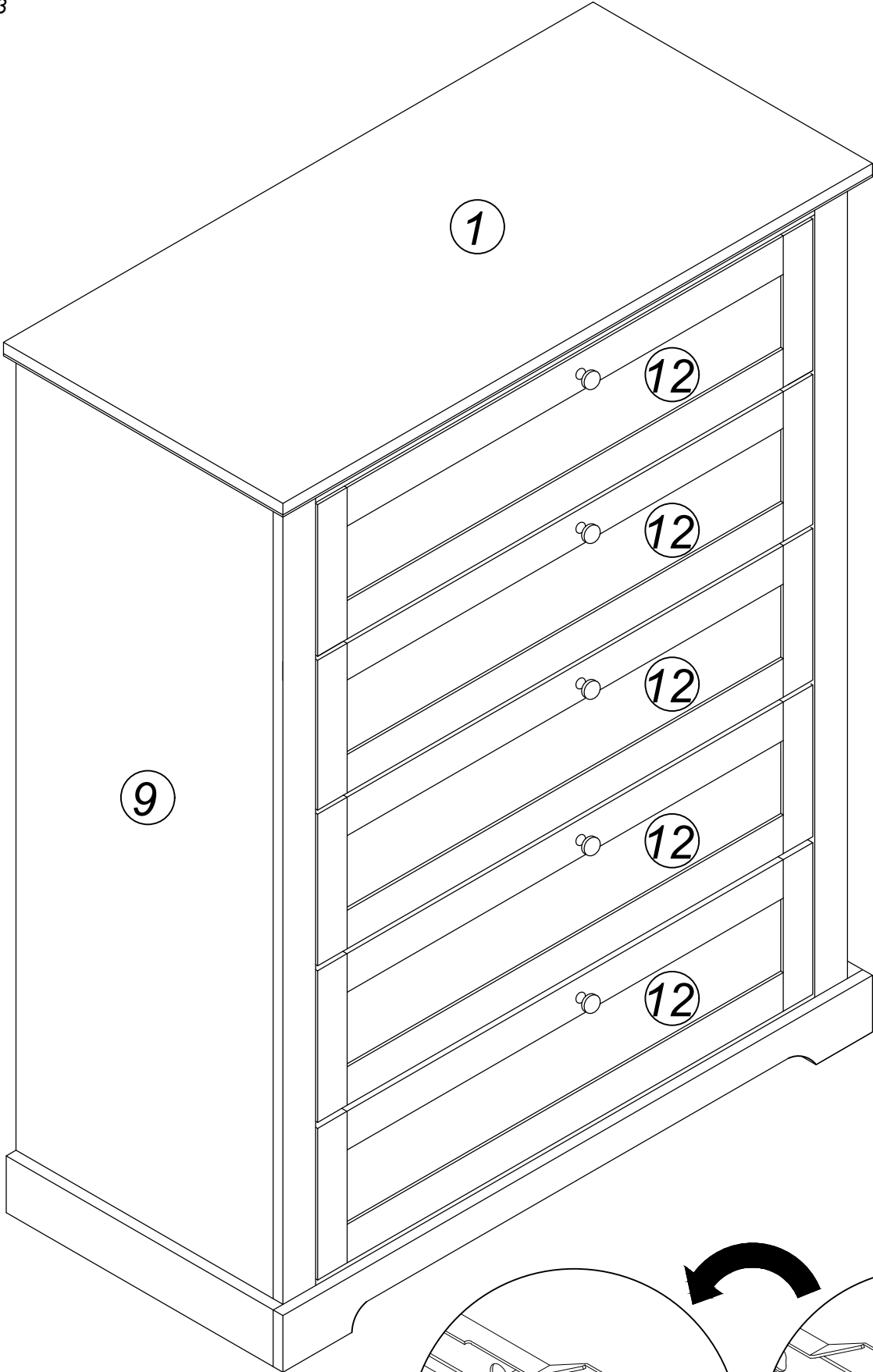
LOCK



FIX THE MINICAM Q AND MINIFIX P TO THE HOLE AS SHOWN



STEP 13

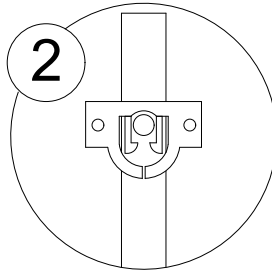
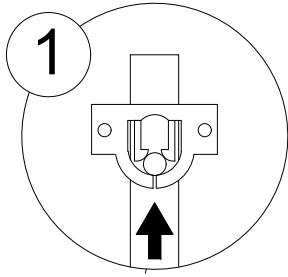


INTERLOCK SYSTEM

Repeat the step for each drawer until finished

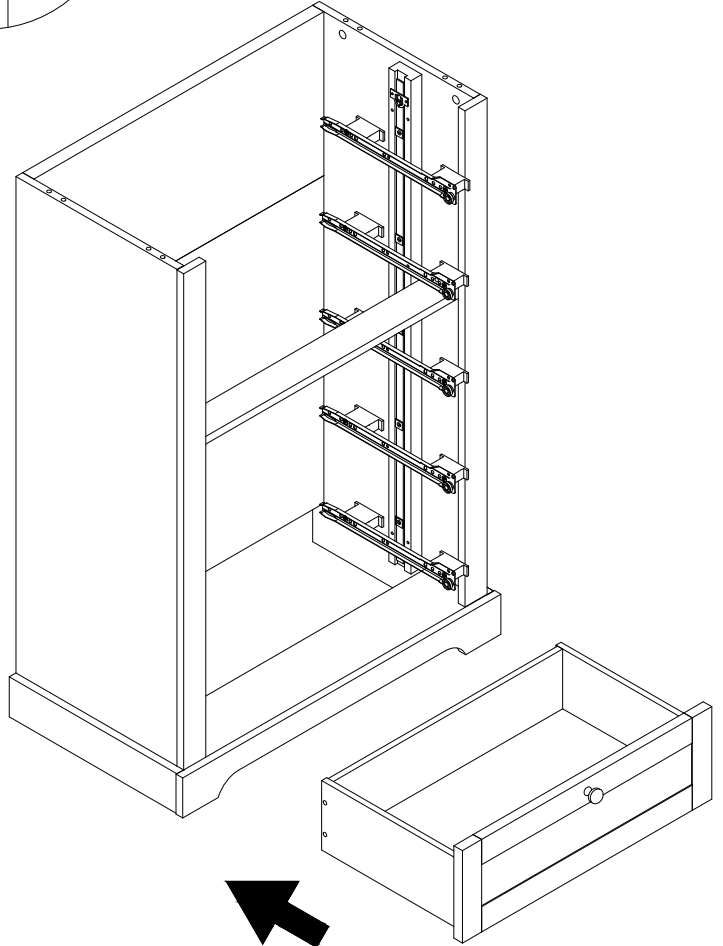
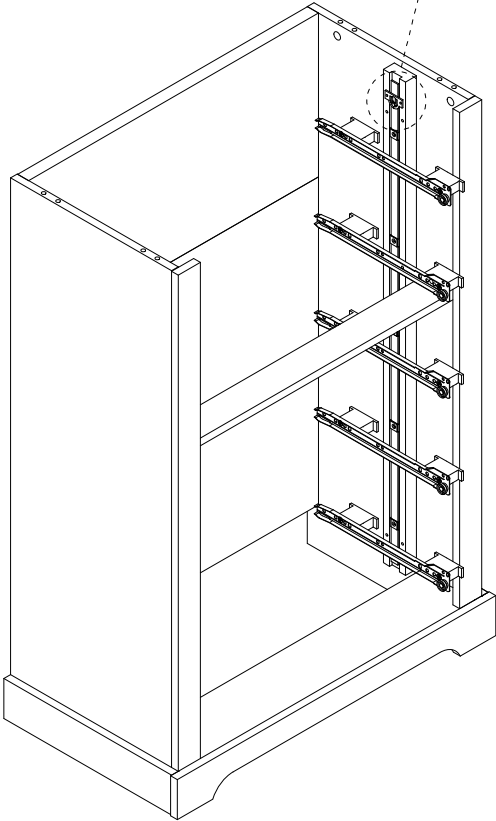
Step 1

Make sure the interlock is in a state like the diagram



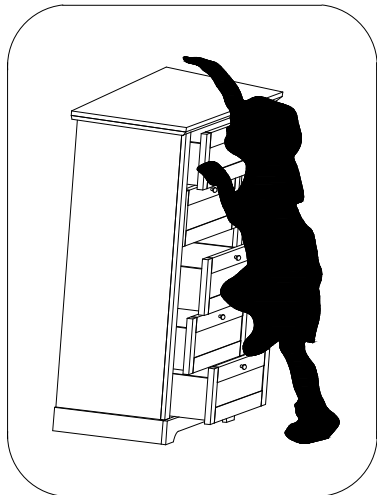
Step 2

Insert the drawers one by one starting from the bottom



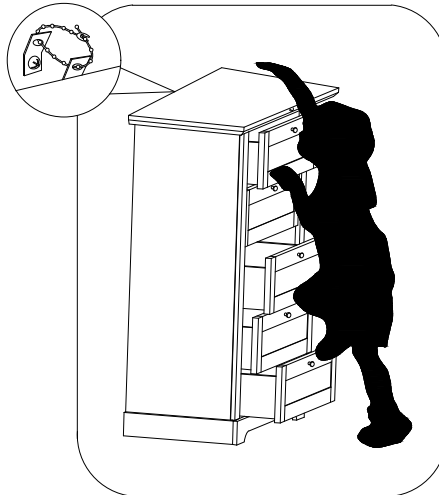
TIP-OVER PREVENTION

TIP-OVER HAZARD



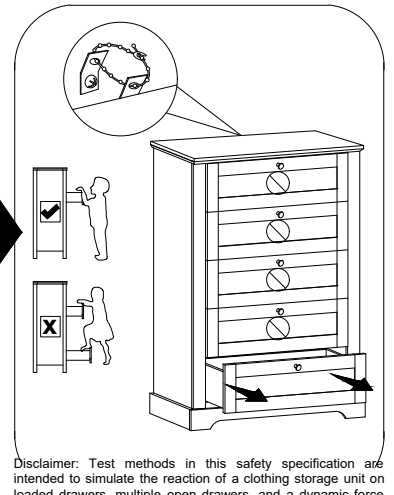
STANDARD VERSION

Complies with ASTM F2057-19 Standards



UPGRADED VERSION

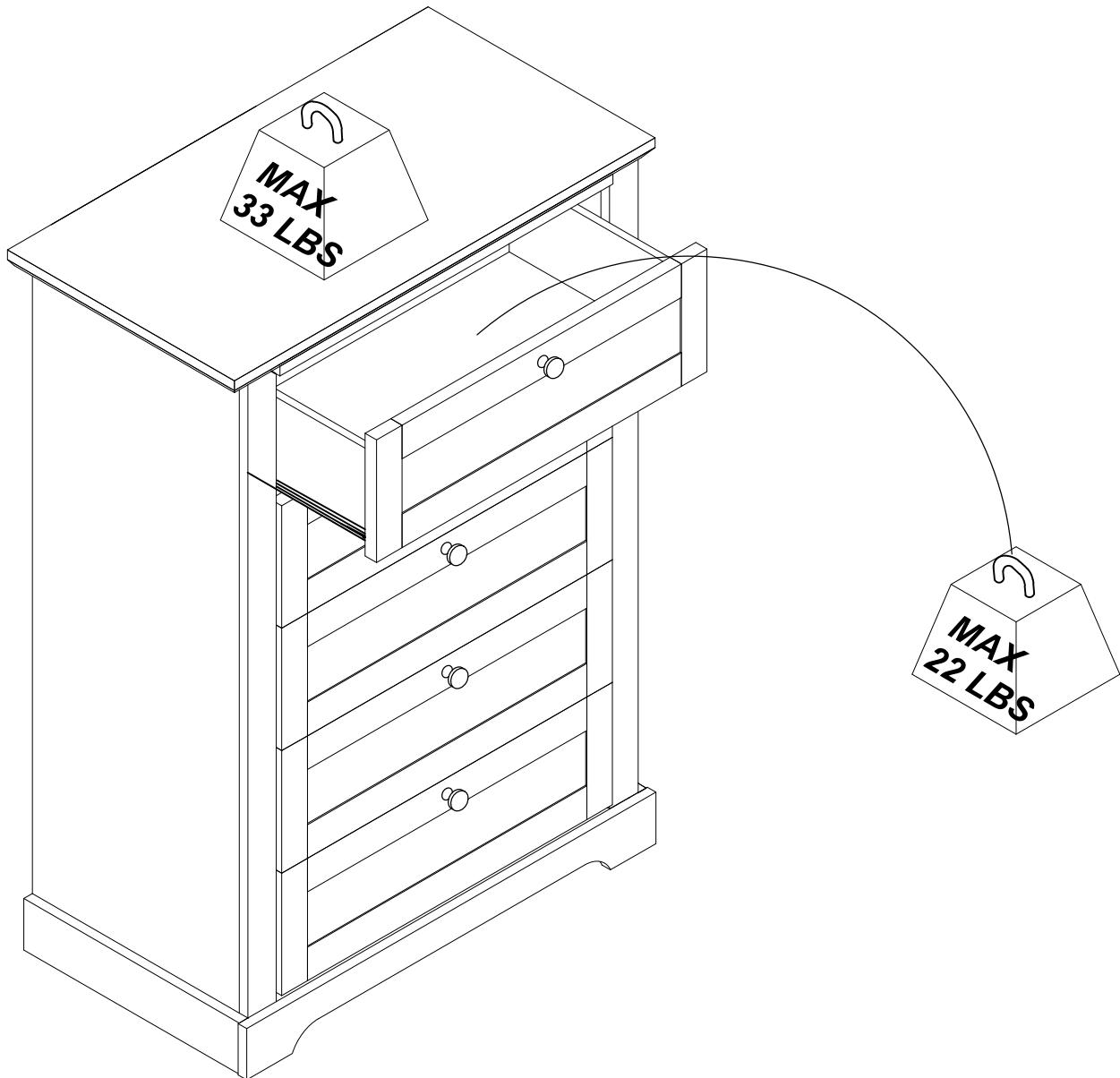
Featuring Interlock system which complies with ASTM F2057-23 Standards



Disclaimer: Test methods in this safety specification are intended to simulate the reaction of a clothing storage unit on loaded drawers, multiple open drawers, and a dynamic force from possible interaction of child up to 72 months. This consumer safety specification does not apply to products that are blatantly misused, nor does it apply to products used by consumers in a careless manner that violate normal practice or disregard the instructions or warnings provided with the product or both

MAXIMUM LOAD

This units has been design to support the maximum loads. Exceeding these load limits could cause sagging, instability, product collapse, and/or serious injury.



WARNING

Serious or fatal injuries can occur from falling furniture.

To prevent furniture from falling, please do:

- Install the tipover restraint provided.
- Place heaviest items in the lowest rack.
- Unless specifically designed, do not place any heavy object on top of the furniture.
- Do not let children climb or hang on drawers, doors, or shelves.

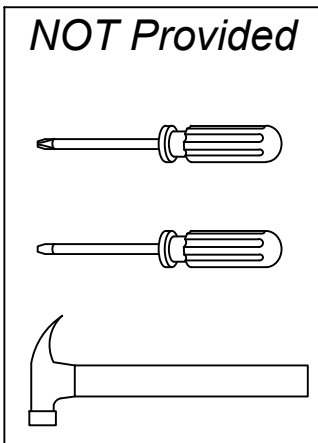
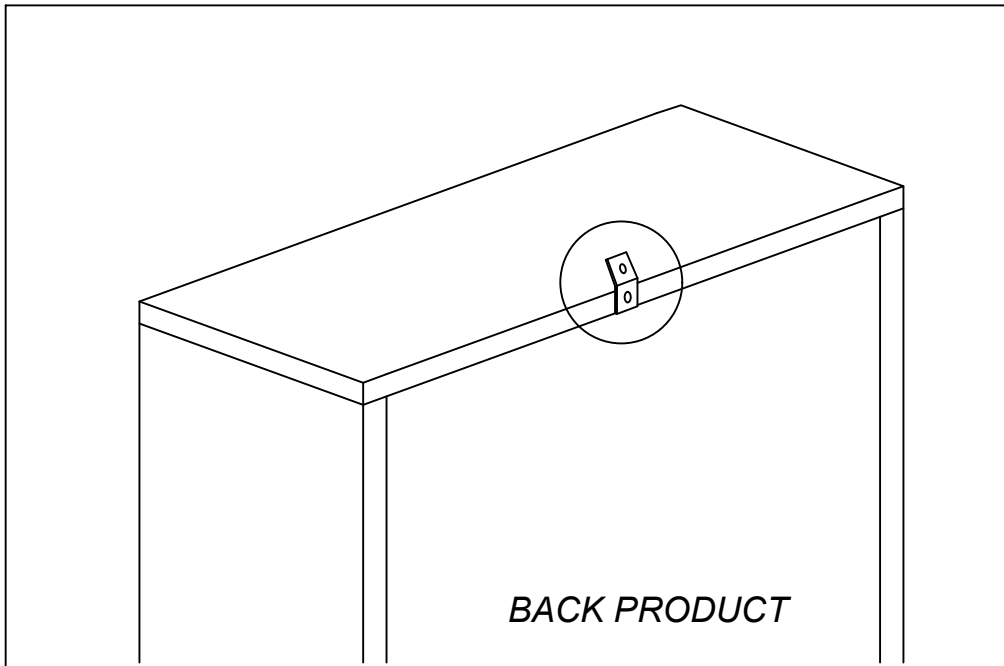
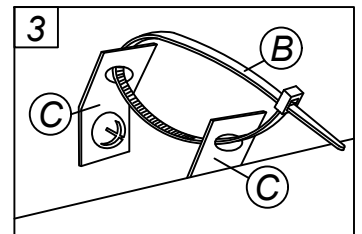
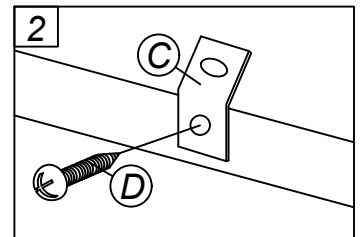
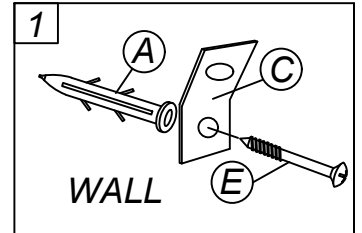
The use of tip over restraints may only reduce and not eliminate the risk of failing furniture.

FURNITURE TIPPING RESTRAINT

Serious or fatal injuries can occur from furniture tipping over. To prevent the furniture from tipping over we recommend that it is permanently fixed to the wall.

Wall fixings are not supplied with this product as different wall materials require different types of fixing devices.

Please make sure you use fixings suitable for the walls in your home.



NO	DESCRIPTION	QTY
A	WALL PLUG	1
B	CABLE TIE - WHITE	1
C	V BRACKET	2
D	6 X 1 - 1/2 WHITE (C / W SCREW)	1
E	SCREW # 6 X 5/8 " (PAN + TAPPING)	1

USE OF POWER TOOLS TO ASSEMBLE THIS PRODUCT WILL INVALIDATE ANY CLAIM AND MAY DAMAGE THIS PRODUCT MAKING IT UNSAFE

