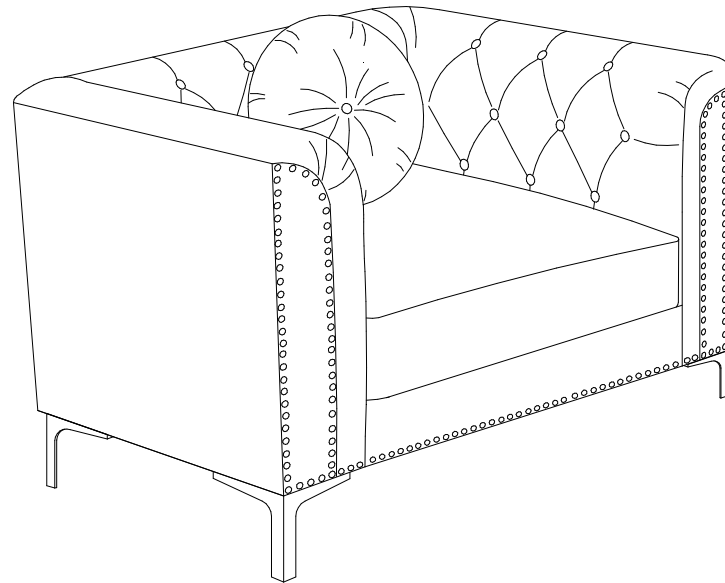


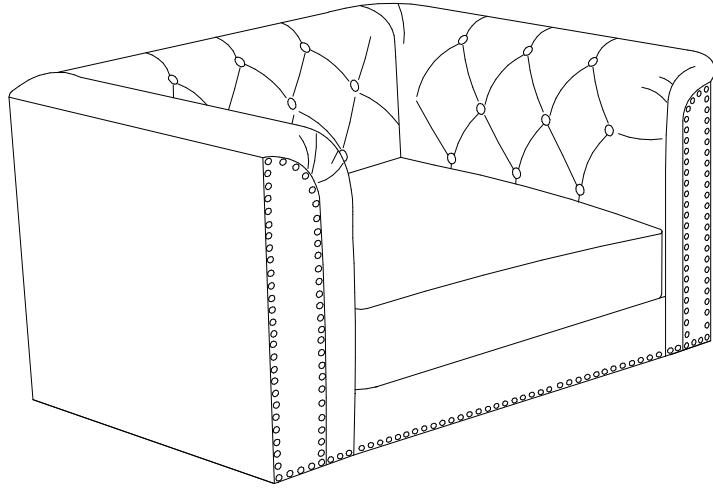
Attention:
Two people are required for assembly and lifting unit.

ASSEMBLY INSTRUCTION



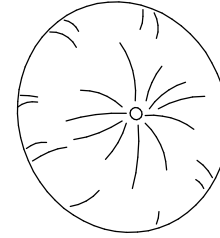
ASSEMBLY PART

1.



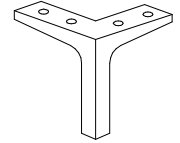
CHAIR

2.


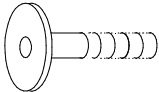



PILLOW

3.

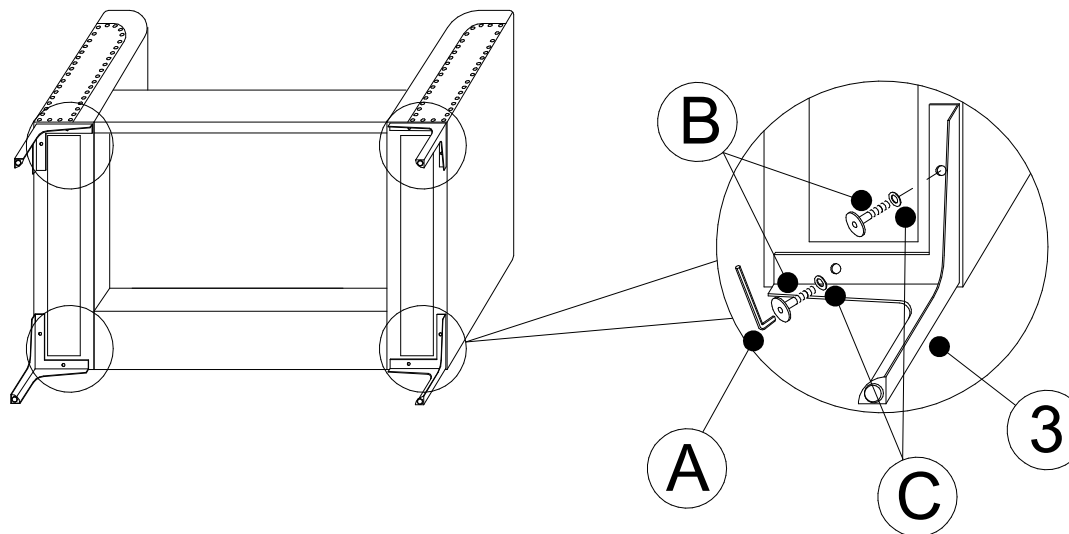


LEG (4PCS)

NO	HARDWARE DESCRIPTION	QTY
A.	Allen Key 	1PC
B.	20mm Bolt 	8PCS
C.	Flat Washer 	8PCS

ASSEMBLY INSTRUCTION

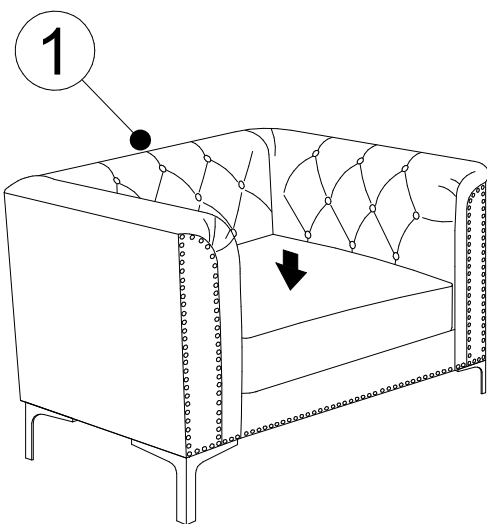
STEP 1.



For this step lay the unit on its back.

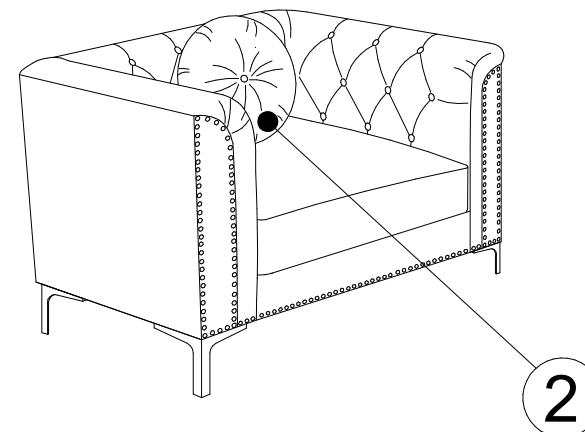
Attach LEGS (3) to the four corners of the unit. Legs are to be attached using Bolt (B), Washer (C) using Allen Key (A). Make sure the bolts are fully tightened and secure.

STEP 2.



Attach the Seat Cushion.

STEP 3.



Lay Pillow (2).