

## CARE AND MAINTENANCE

Always use felt pads under all articles to prevent discoloration or softening of the lacquer. Plastic and rubber bases on items can discolor wood. Wipe up spills immediately and avoid common hazards such as hot dishes, harsh solvents and abrasives. Cleaning should be done with a soft lint free cotton cloth dampened with water or furniture polish. On highly used surfaces we recommend applying a quality paste wax which should be used on a regular basis to provide additional protection from scratches and spills. How often you apply the wax depend on how much wear the furniture receives.

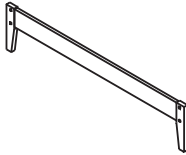
## NOTICE

\* Please make sure that you have all parts indicated before you begin assembly of this item

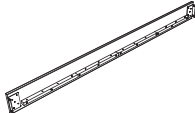
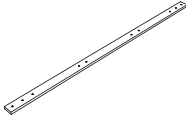

\* This item should be assembled on a soft surface to prevent scratching the finish during assembly

\* This item may require periodic tightening

### Part List BOX #1

PIECE	DESCRIPTION	PICTURE	QUANTITY
A	Headboard / Footboard		2x

### Part List BOX #2

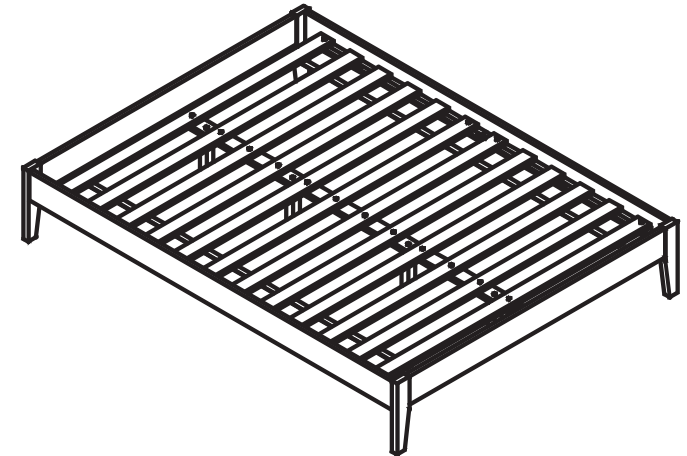
PIECE	DESCRIPTION	PICTURE	QUANTITY
B	Side Rail		2x
C	Center Slat		1x
D	Support Leg		4x

# SAFAVIEH

## C O U T U R E

**BSC2000 - Q**

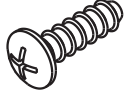


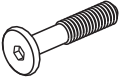

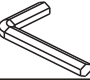
**DIMENSIONS: 62.1"L x 82.8"D x 13.6"H**



WEIGHT CAPACITY: 800 LBS

**WARNING: DO NOT OVER TORQUE BOLTS/SCREWS**

Part List BOX #2

PIECE	DESCRIPTION	PICTURE	QUANTITY
E	Phillips Head Bolt (8x20mm)		8x
F	Spring Washer (M8)		8x
G	Flat Washer (M8)		8x
H	Allen Bolt (6x40mm)		10x
I	Wood Screw (8x31mm)		8x
J	Allen Key 4mm		1x

Part List BOX #3

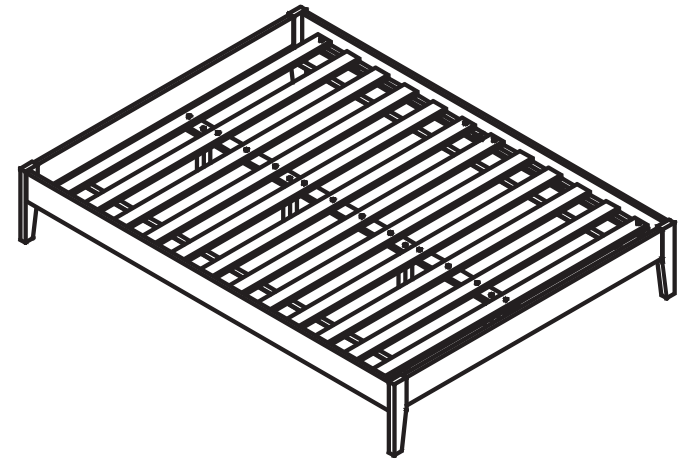
PIECE	DESCRIPTION	PICTURE	QUANTITY
K	Slat Roll		1x

# SAFAVIEH

C O U T U R E

BSC2000 - Q

DIMENSIONS: 62.1"L x 82.8"D x 13.6"H



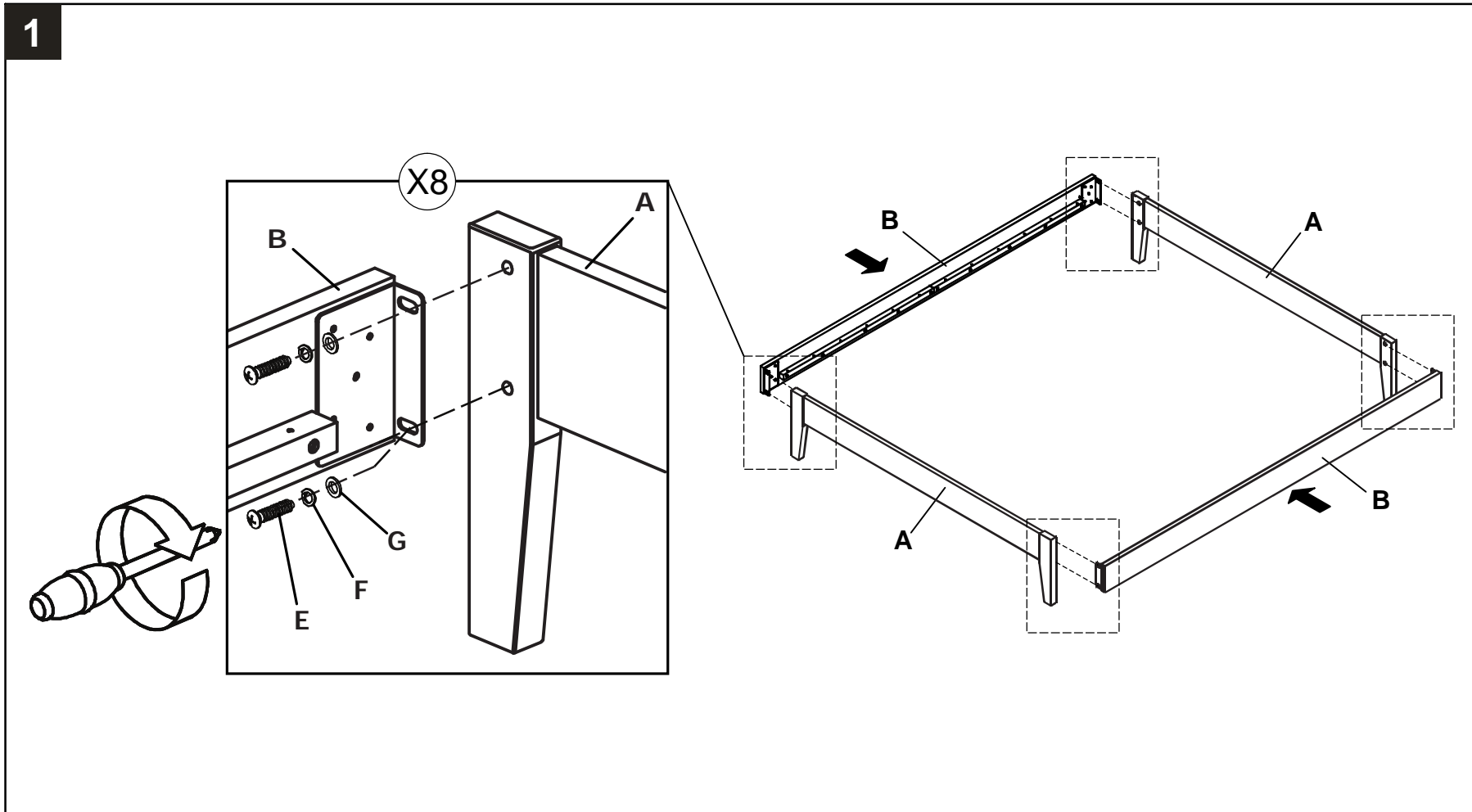
## PREPARATION

Before beginning assembly of product, make sure all parts are present. Compare parts with package contents list

If any part is missing or damaged, do not attempt to assemble the product.

Estimate Assembly Time : 30 minutes.

Tool Required : Phillips Head Screwdriver (not provided)



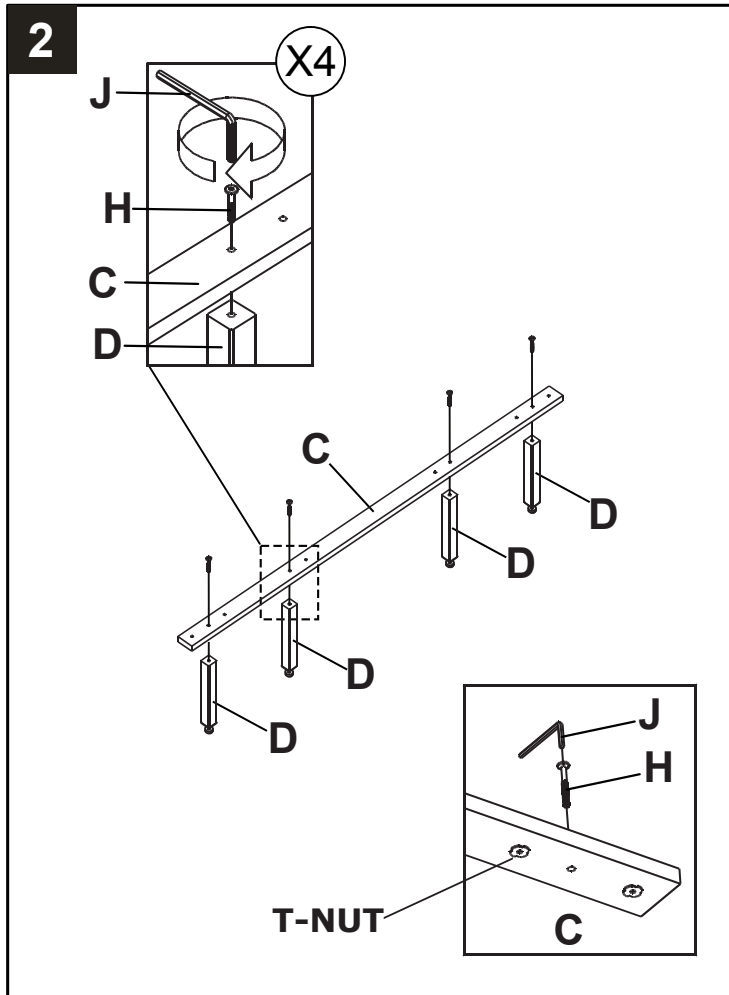
Step 1

Attach the siderail (B) to the headboard / footboard (A) using phillips head screwdriver to lock phillips head bolt (E), spring washer (F) and flat washer (G). Do not tighten bolts completely until assembly is completed.

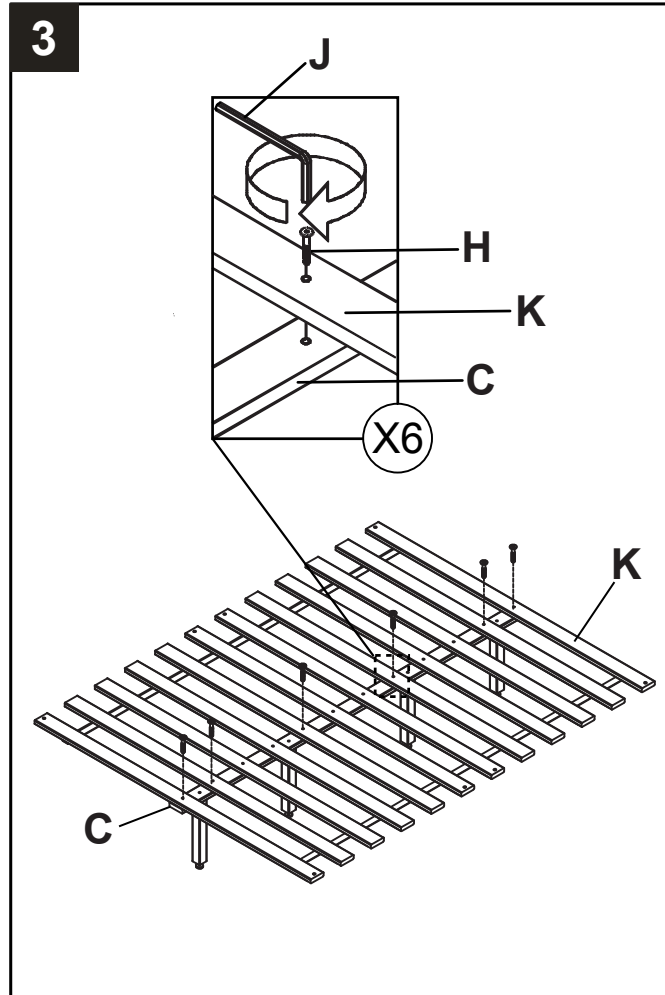


### STOP

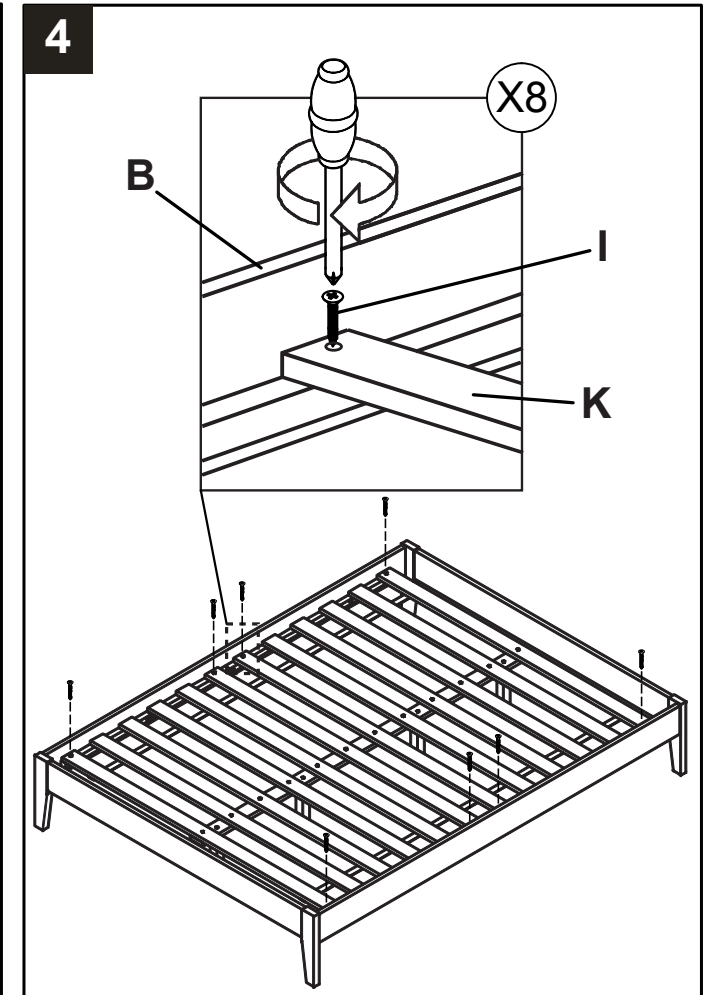
- IF USING BED FRAME WITH ADJUSTABLE MATTRESS BASE, SKIP TO APPENDIX A: ADJUSTABLE MATTRESS BASE ASSEMBLY SUPPLEMENT.
- IF USING BED FRAME WITH STANDARD BOX SPRING OR FOUNDATION CONTINUE TO STEP 2.



**Step 2**  
 Arrange center slat (C) so that t-nuts are facing the floor. Slide allen bolt (H) from top of center slat (C) into the 2nd, 4th, 7th, and 9th predrilled holes. Attach support leg (D) to center slat (C) using allen key (J) to lock with allen bolt (H).



**Step 3**  
 Attach slat roll (K) to the center slat (C), using allen key (J) to lock with allen bolt (H). Use 1st, 2nd, 5th, 8th, 11th, 12th pre-drilled holes on slat roll (K).

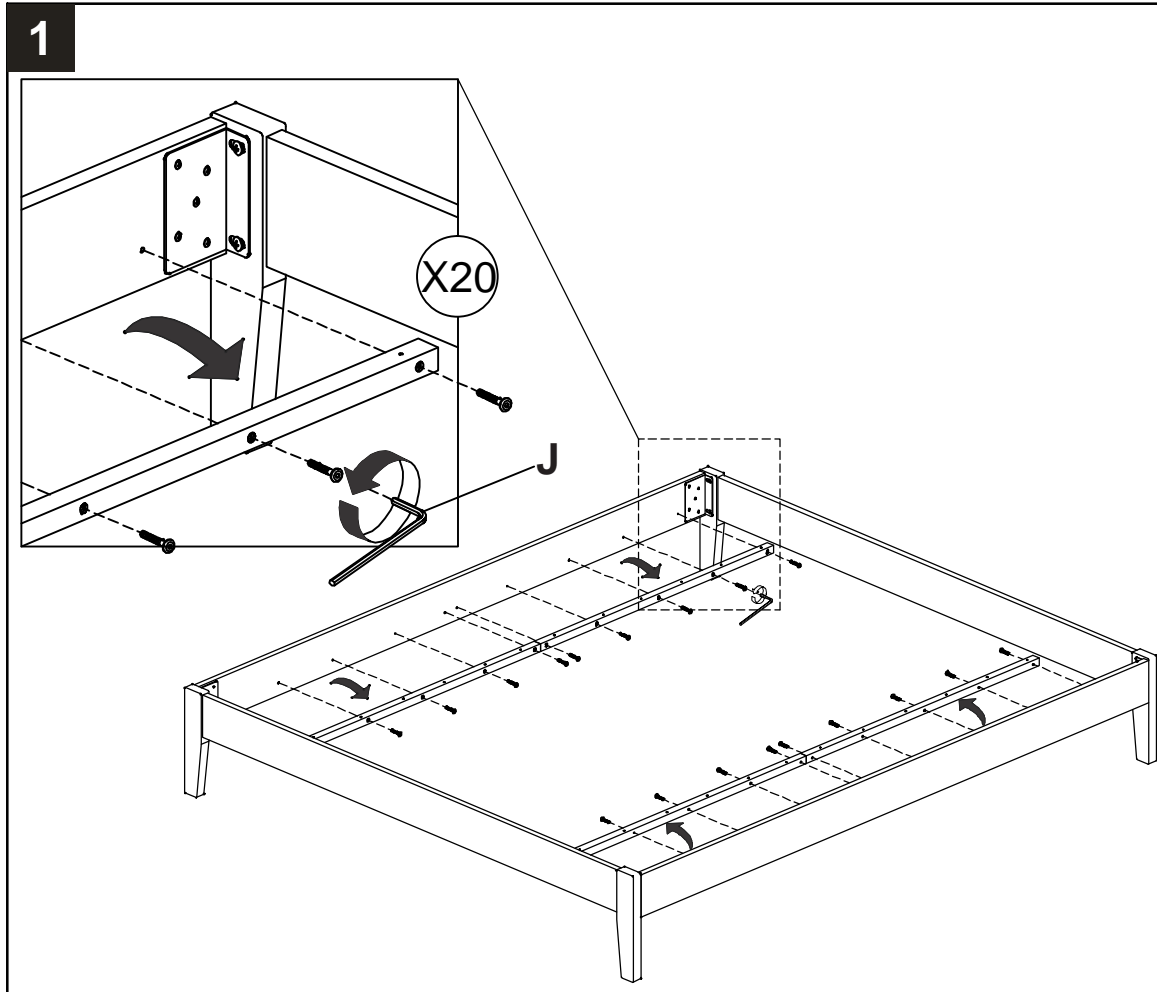


**Step 4**  
 Attach slat roll (K) on the bed frame, using phillips head screwdriver to lock with wood screw (I). Use pilot holes on siderails (B) as reference for correct placement.

## APPENDIX A : ADJUSTABLE MATTRESS BASE ASSEMBLY SUPPLEMENT

An adjustable mattress base is a freestanding mattress support that sits within the perimeter of the bed frame.  
If using this bed frame with a standard box spring or foundation these instructions do not apply.

Pre-assembled side rail cleats obstruct adjustable base installation and operation. Follow these instructions to remove them.



Step 1  
Use allen key (J) to unscrew allen bolts and remove pre-assembled side rail cleats.

**The following parts are not required for adjustable mattress base installation:**

C. Center Slat 1x    H. Allen Bolt (6x40mm) 10x    K. Slat Roll 1x  
D. Support Leg 4x    I. Wood Screw (8x31mm) 8x

**Note: you may wish to retain unused parts if in the future you intend to use the bed frame with a standard box spring or foundation.**