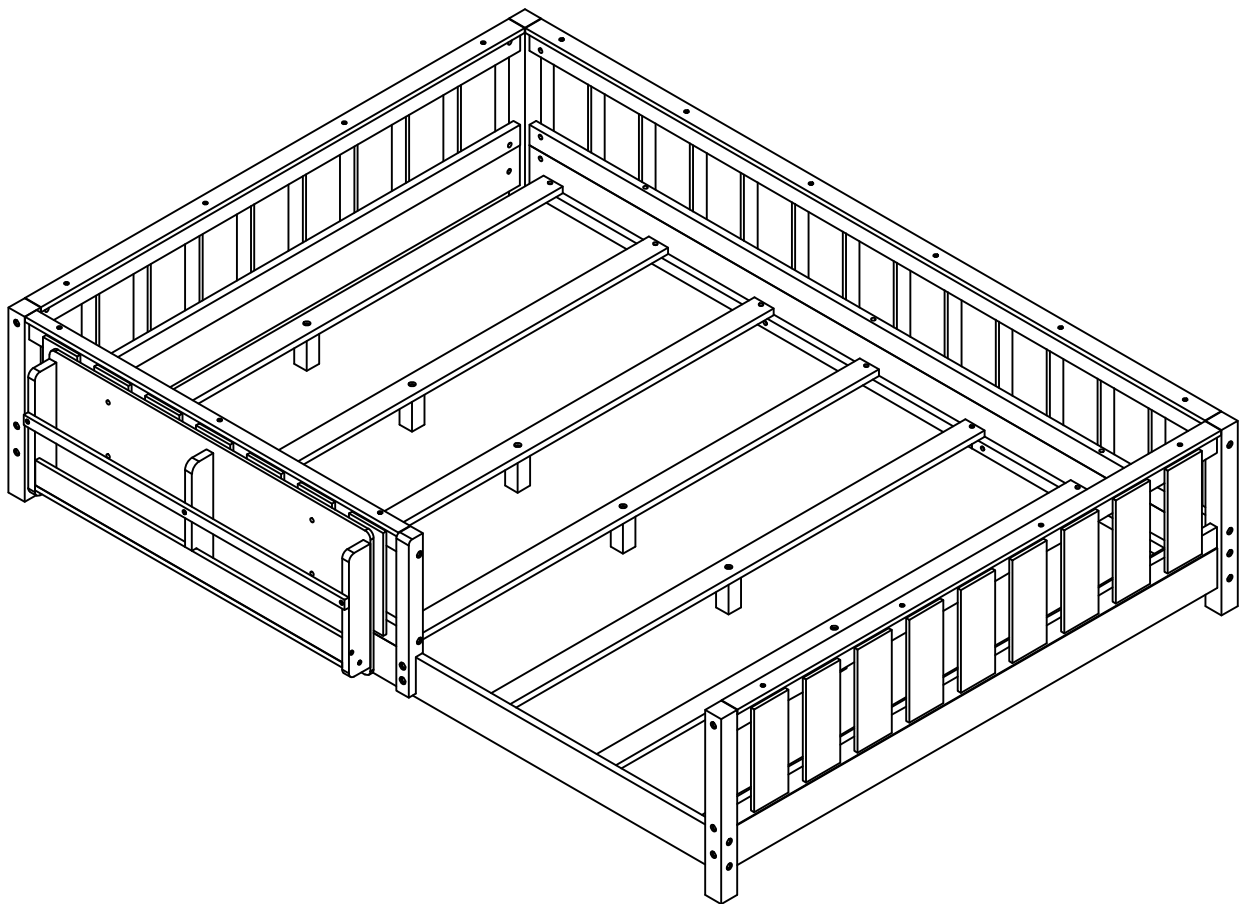


# ASSEMBLY INSTRUCTION

## FULL SIZE FLOOR BED



**Bed Type**  
**Full Standard**

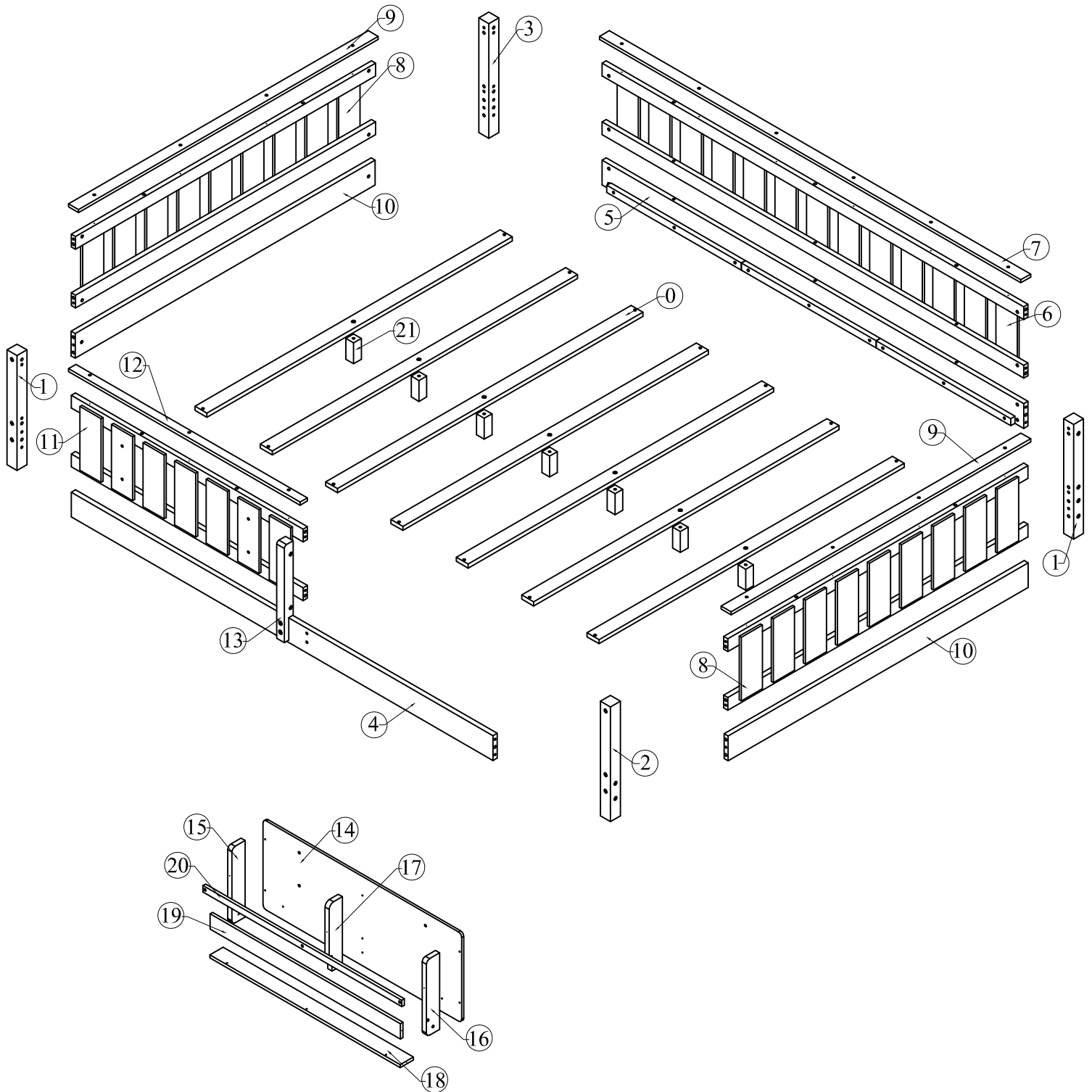
**Length**  
**75"**

**Width**  
**54 "**

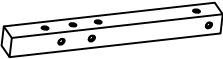
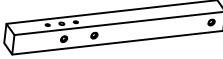
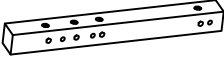

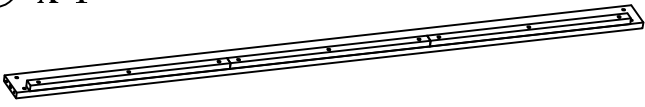
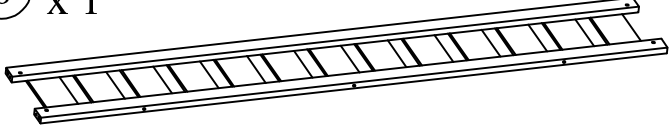

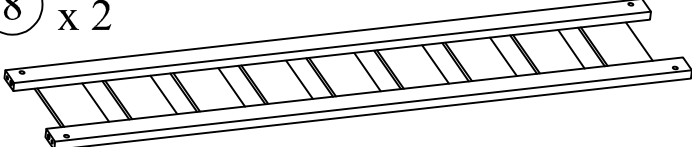

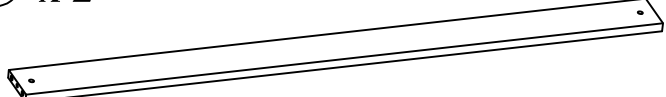
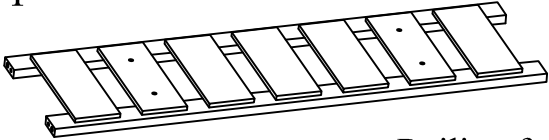


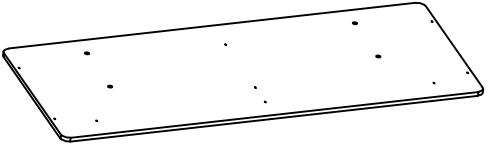


**Thickness**  
**6" max**

***This set is included 1 boxes, if don't receive full 1 boxes please contact our customer service team.***


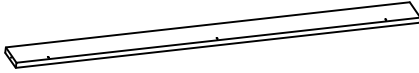


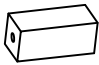
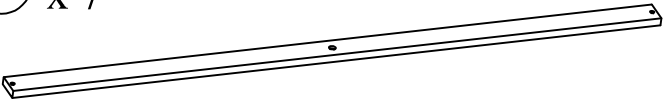
# ASSEMBLY INSTRUCTION



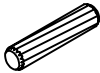












# Part List & Hardware List

<p>① x 2</p>  <p>Leg</p>	<p>② x 1</p>  <p>Leg</p>
<p>③ x 1</p>  <p>Leg</p>	<p>④ x 1</p>  <p>Side rail</p>
<p>⑤ x 1</p>  <p>Side rail</p>	<p>⑥ x 1</p>  <p>Railing frame</p>
<p>⑦ x 1</p>  <p>Top cap</p>	<p>⑧ x 2</p>  <p>Railing frame</p>
<p>⑨ x 2</p>  <p>Top cap</p>	<p>⑩ x 2</p> 
<p>⑪ x 1</p>  <p>Railing frame</p>	<p>⑫ x 1</p>  <p>Top cap</p>
<p>⑬ x 1</p>  <p>Vertical support</p>	<p>⑭ x 1</p>  <p>Back Panel</p>
<p>⑮ x 1</p>  <p>Side Panel</p>	<p>⑯ x 1</p>  <p>Side Panel</p>

# Part List & Hardware List

<p>①7 x 1</p>  <p>Divider Panel</p>	<p>①8 x 1</p>  <p>Bottom Panel</p>
<p>①9 x 1</p>  <p>Front Panel</p>	<p>②0 x 1</p>  <p>Crossbar</p>
<p>②1 x 7</p>  <p>Support Leg</p>	<p>①0 x 7</p>  <p>Slats</p>




## Hardware List

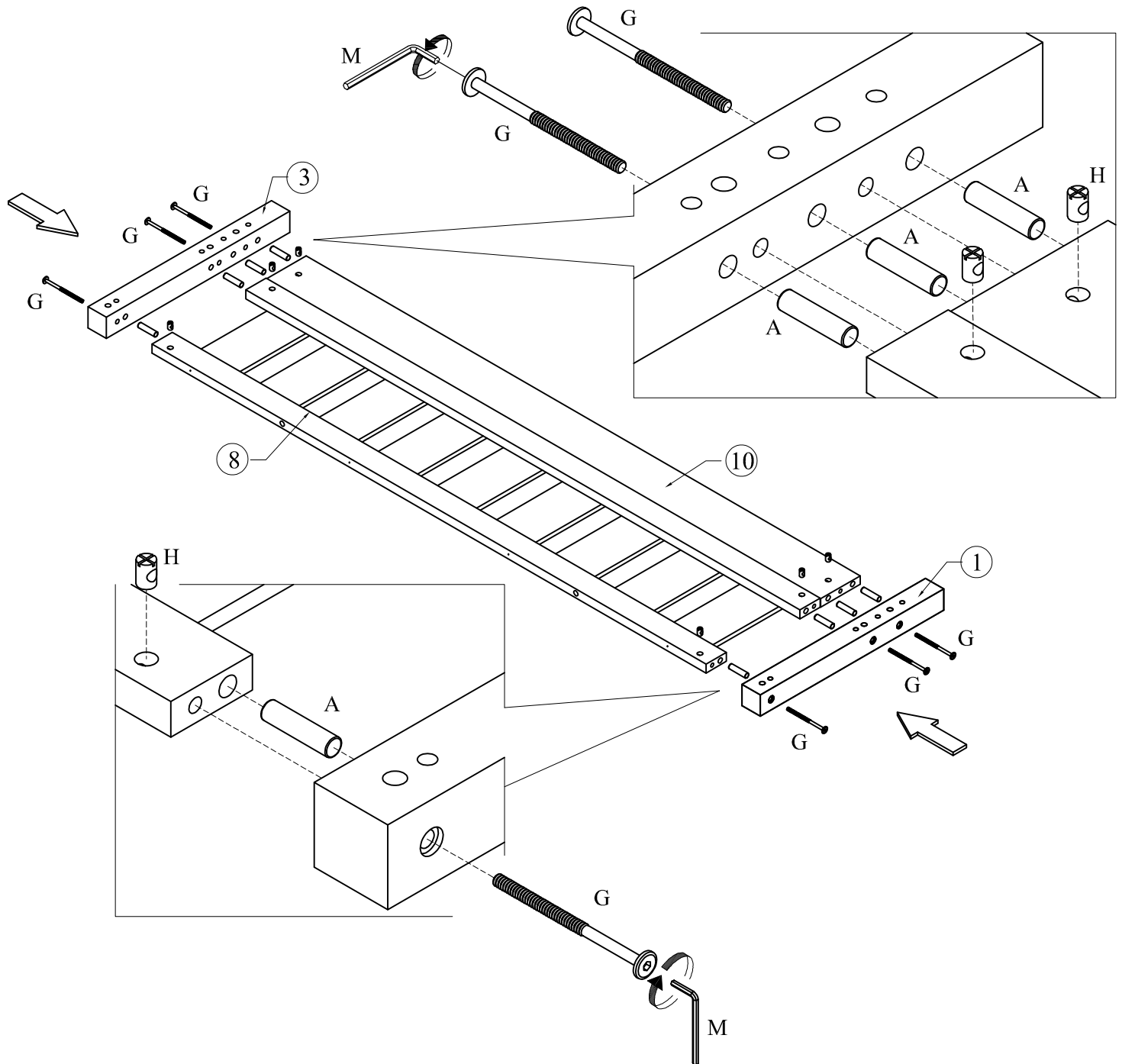
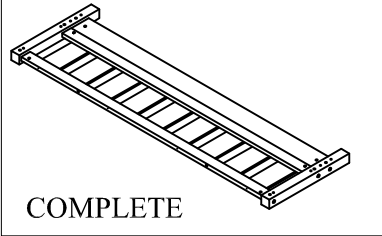
No.	OUTLOOK	DESC	QTY
(A)		Dowel Ø10*40mm	37
(B)		Bolts 1/4"*15mm	04
(C)		Bolts 1/4"*25mm	02
(D)		Bolts 1/4"*30mm	07
(E)		Bolts 1/4"*70mm	03
(F)		Bolts 1/4"*80mm	02
(G)		Bolts 1/4"*90mm	26
(H)		Cross dowel 1/4"*13mm	28
(I)		Hex bolts 1/4"*15mm	06
(J)		Round Head Screw #8*25mm	09
(K)		Screws #8*30mm	31
(L)		Screws #8*35mm	10
(M)		Allen key 60*22*4mm	02

ASSEMBLY TOOLS REQUIRED (NOT INCLUDED)



# STEP 1



(A)		08
(G)		06
(H)		06

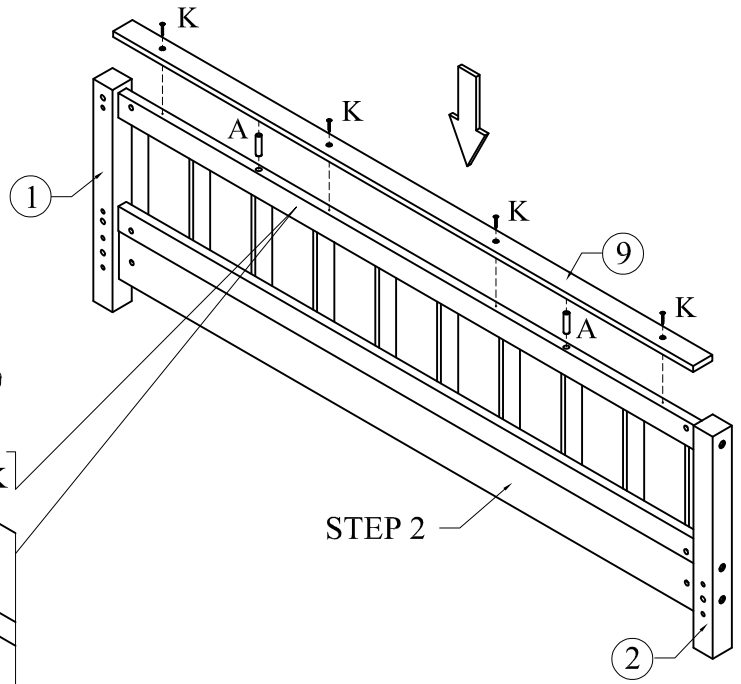
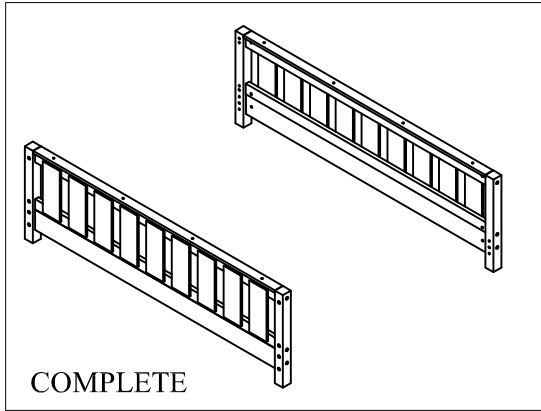


Note: Do not overtighten the bolts to ensure easier assembly in the next step.

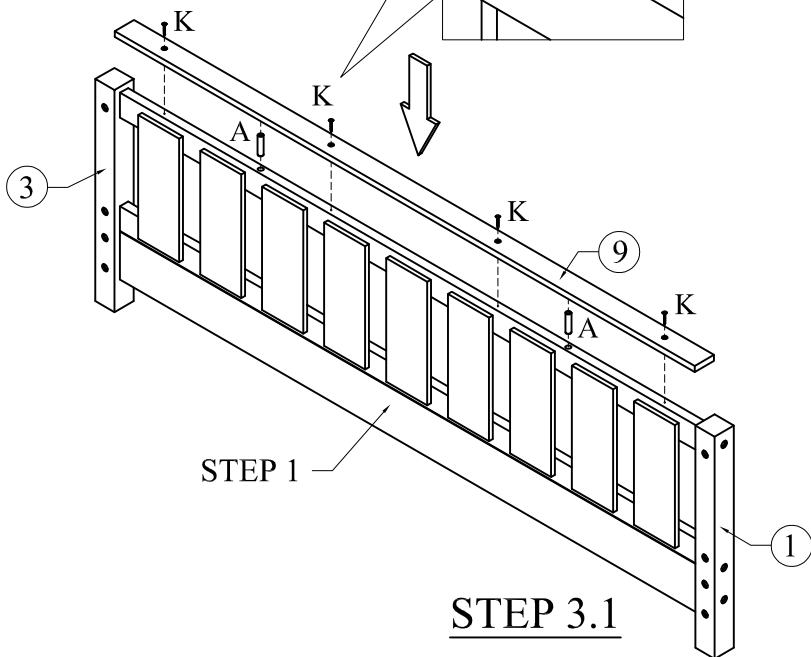


# STEP 3




(A)		04
(K)		08

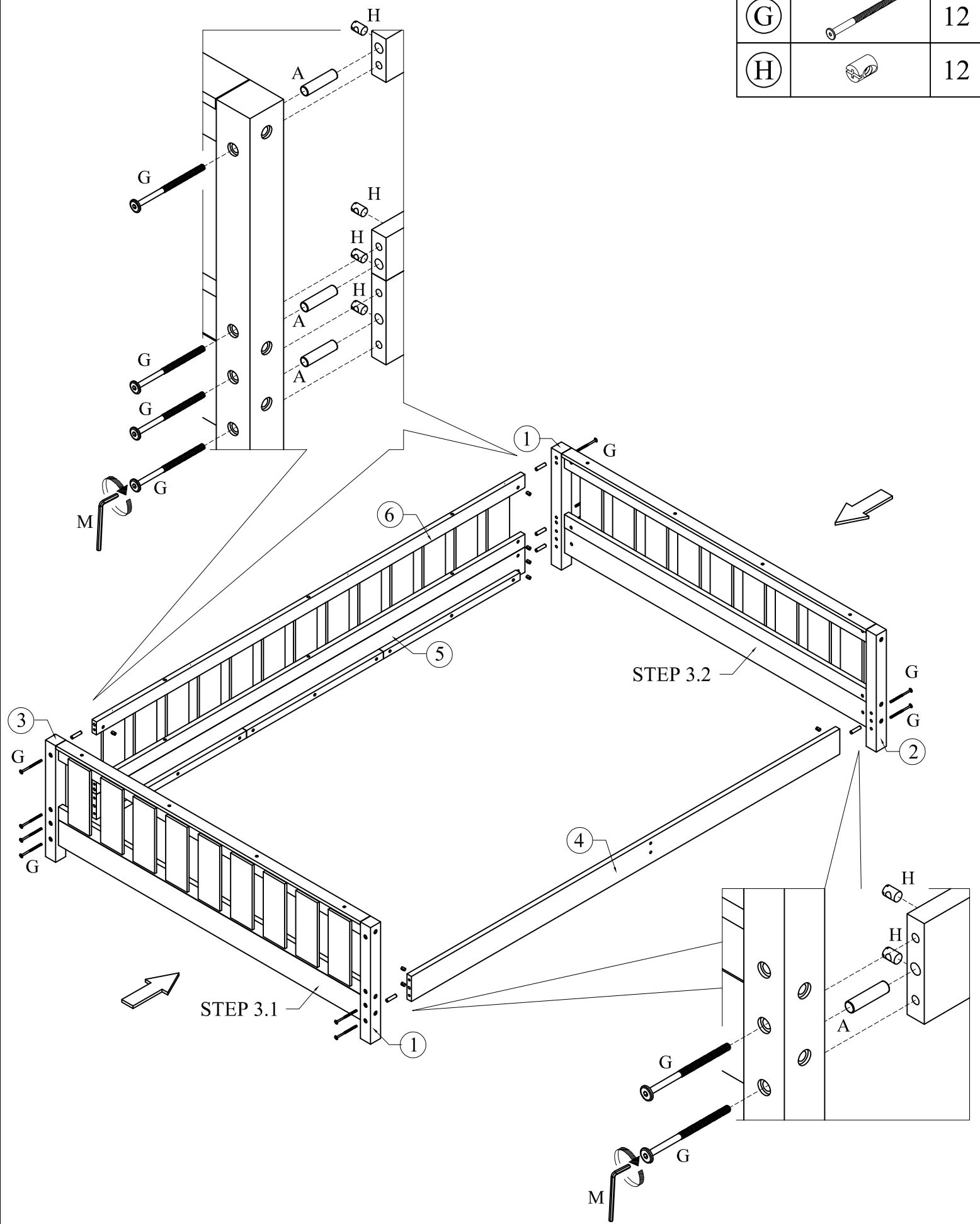


## STEP 3.2







# STEP 4

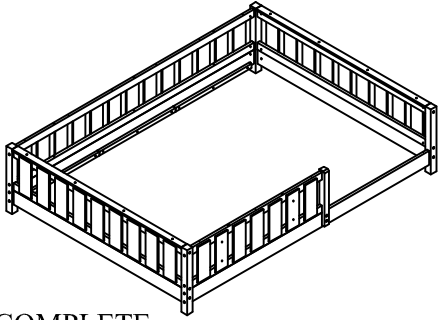
(A)		08
(G)		12
(H)		12



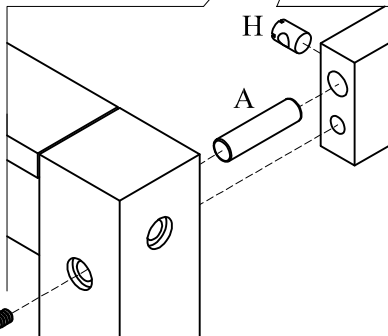
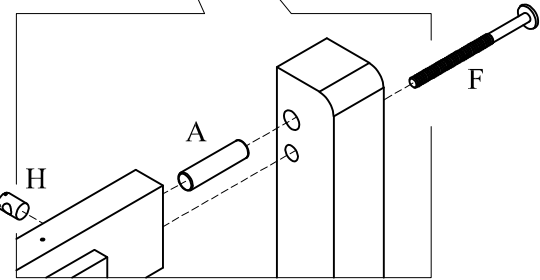
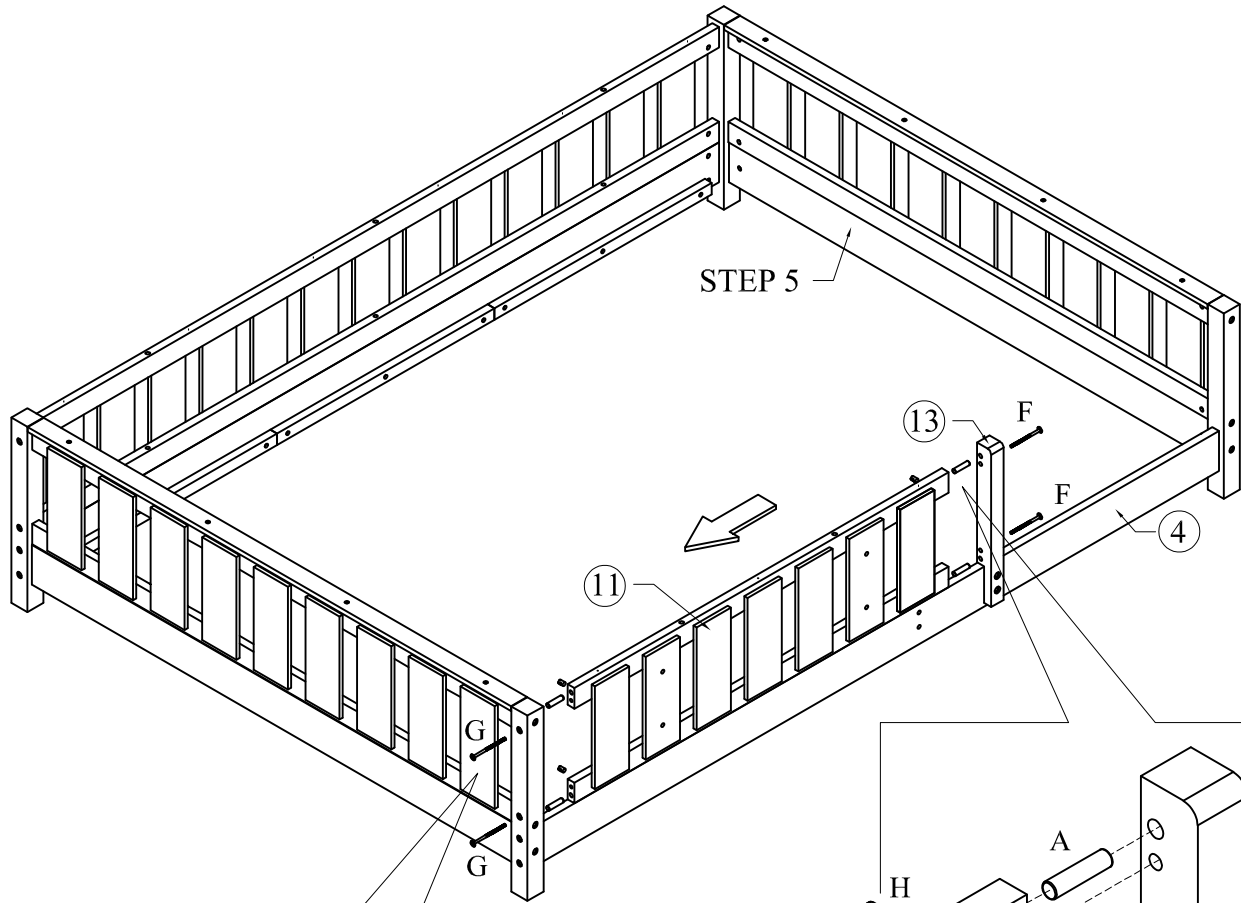
Note: Do not overtighten the bolts to ensure easier assembly in the next step.

# STEP 5




(A)		04
(F)		02
(G)		02
(H)		04

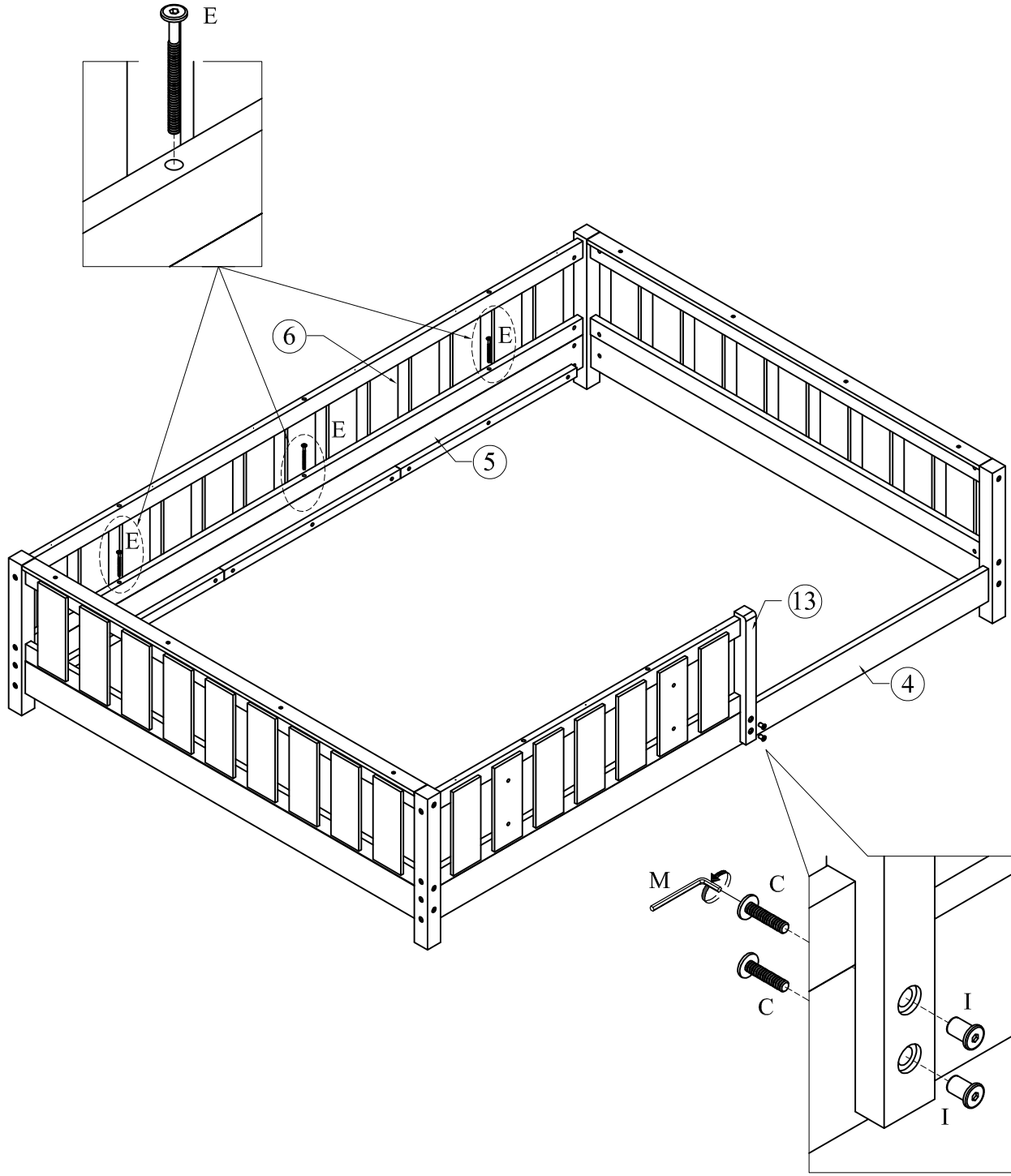


COMPLETE





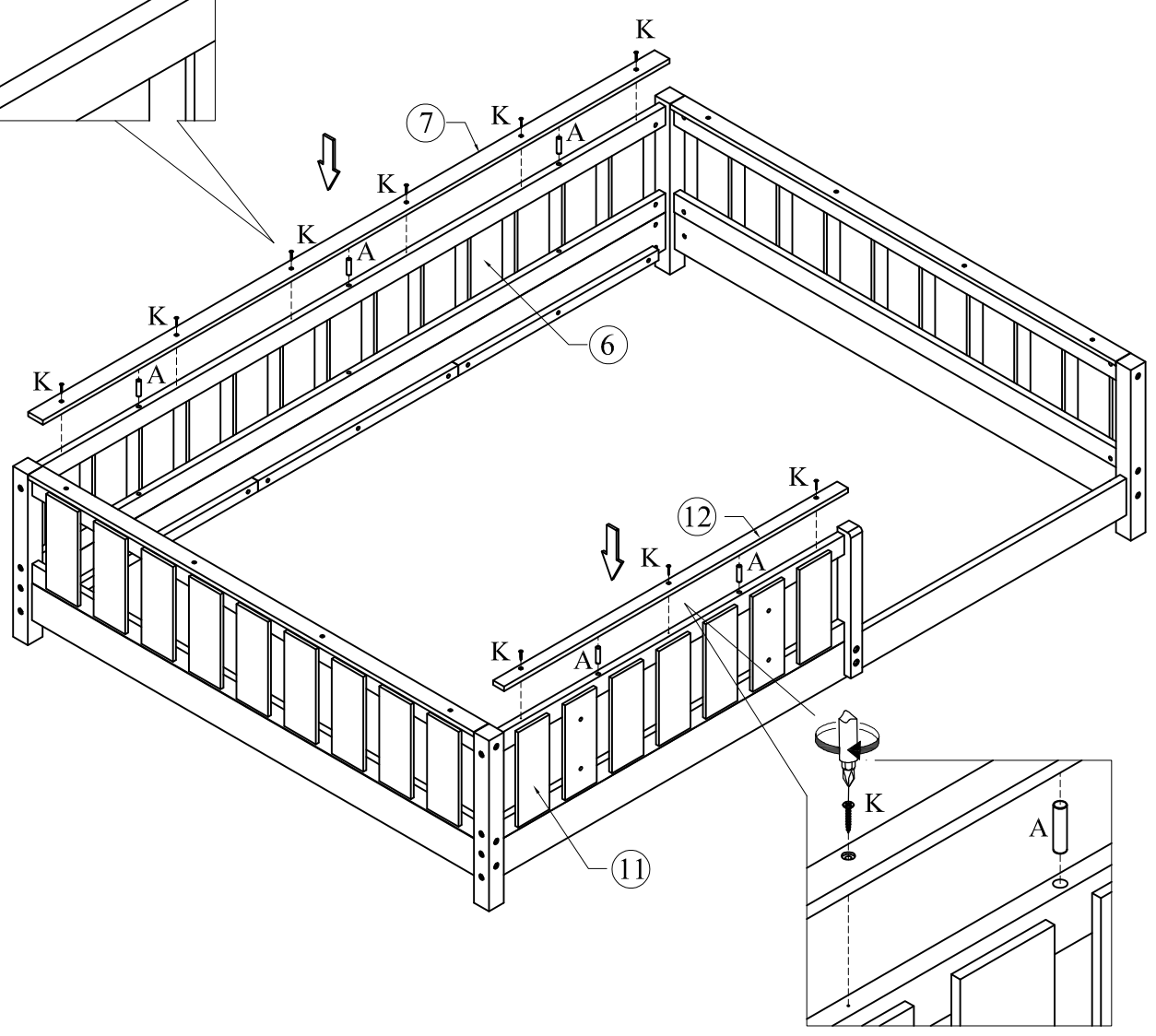
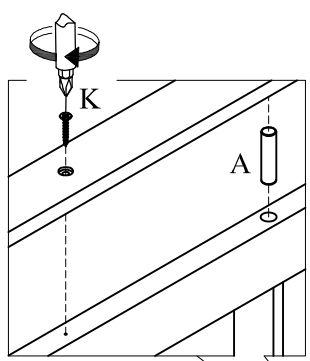
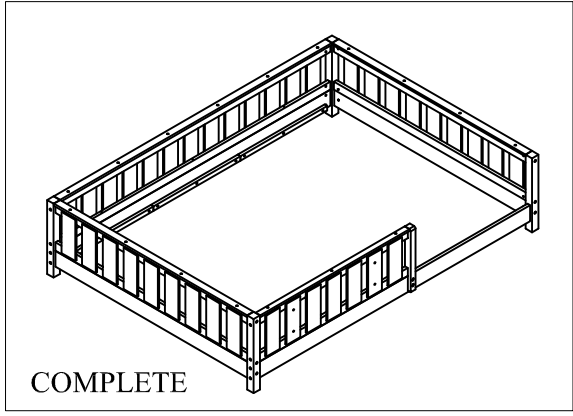
# STEP 6

(C)		02
(E)		03
(I)		02




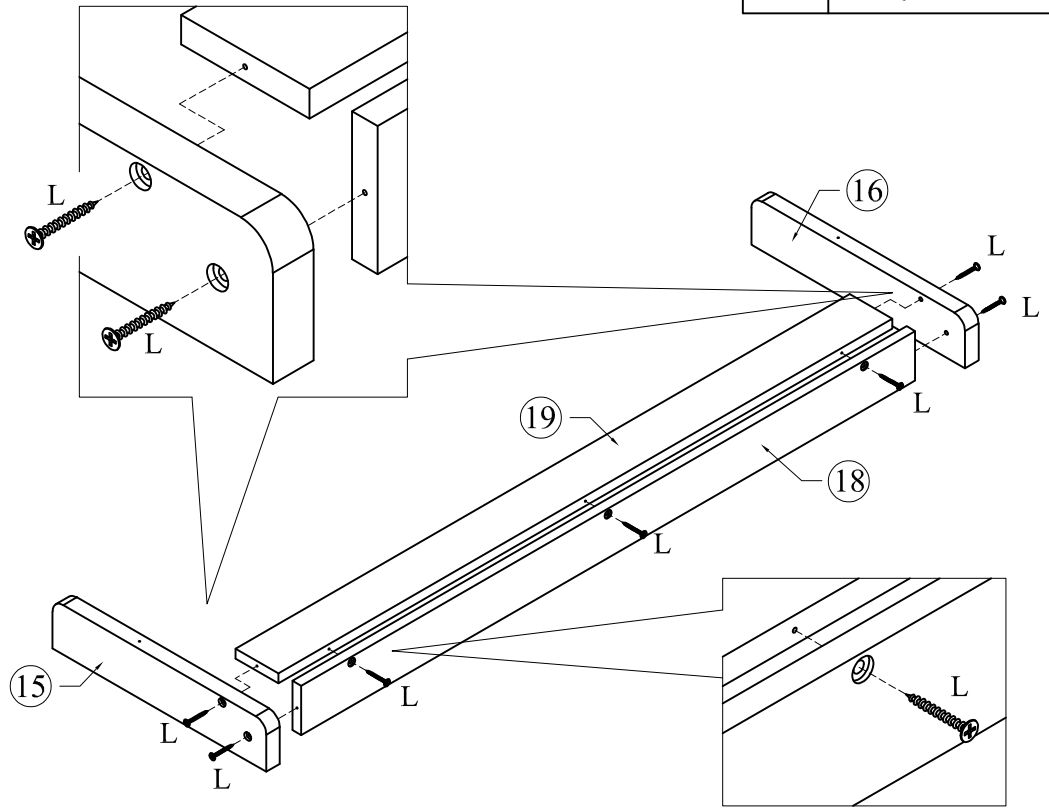
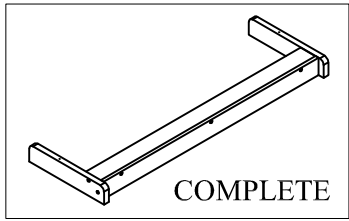
# STEP 7

(A)		05
(K)		09




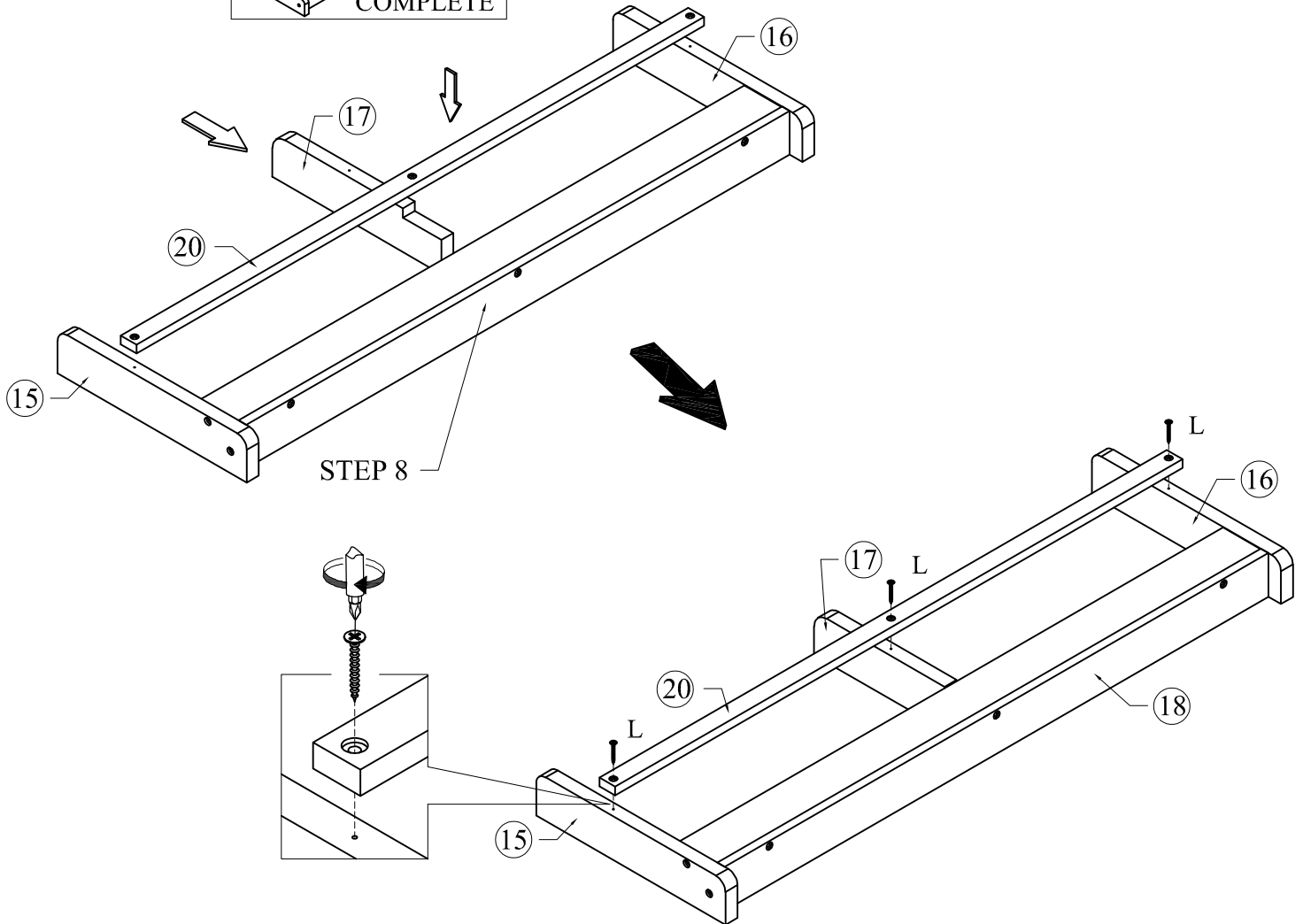
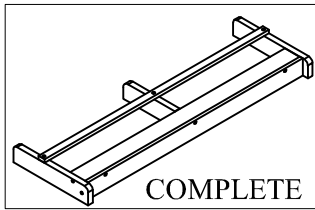
# STEP 8

(L)		07
-----	---	----





# STEP 9

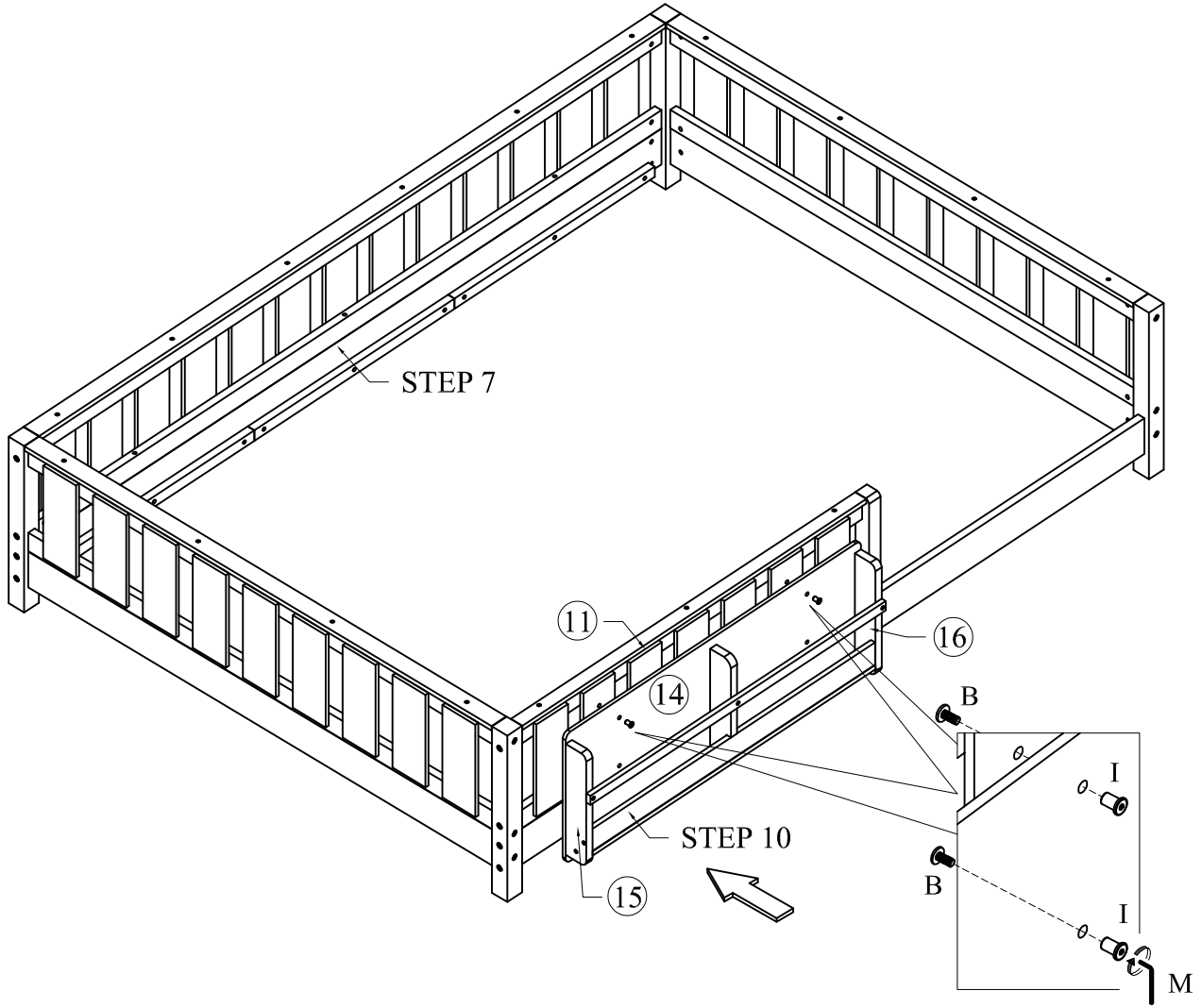
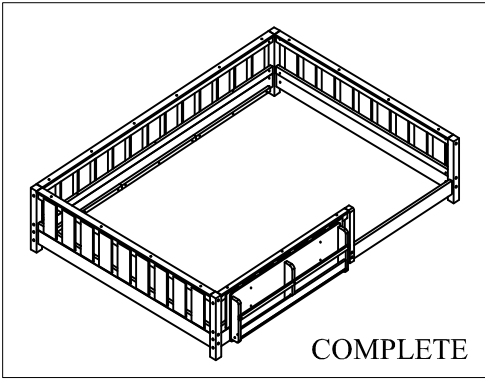
(L)		03
-----	--	----







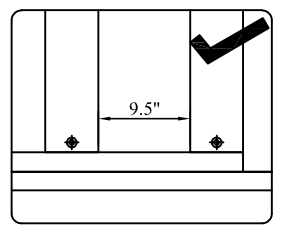
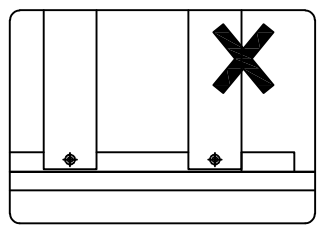
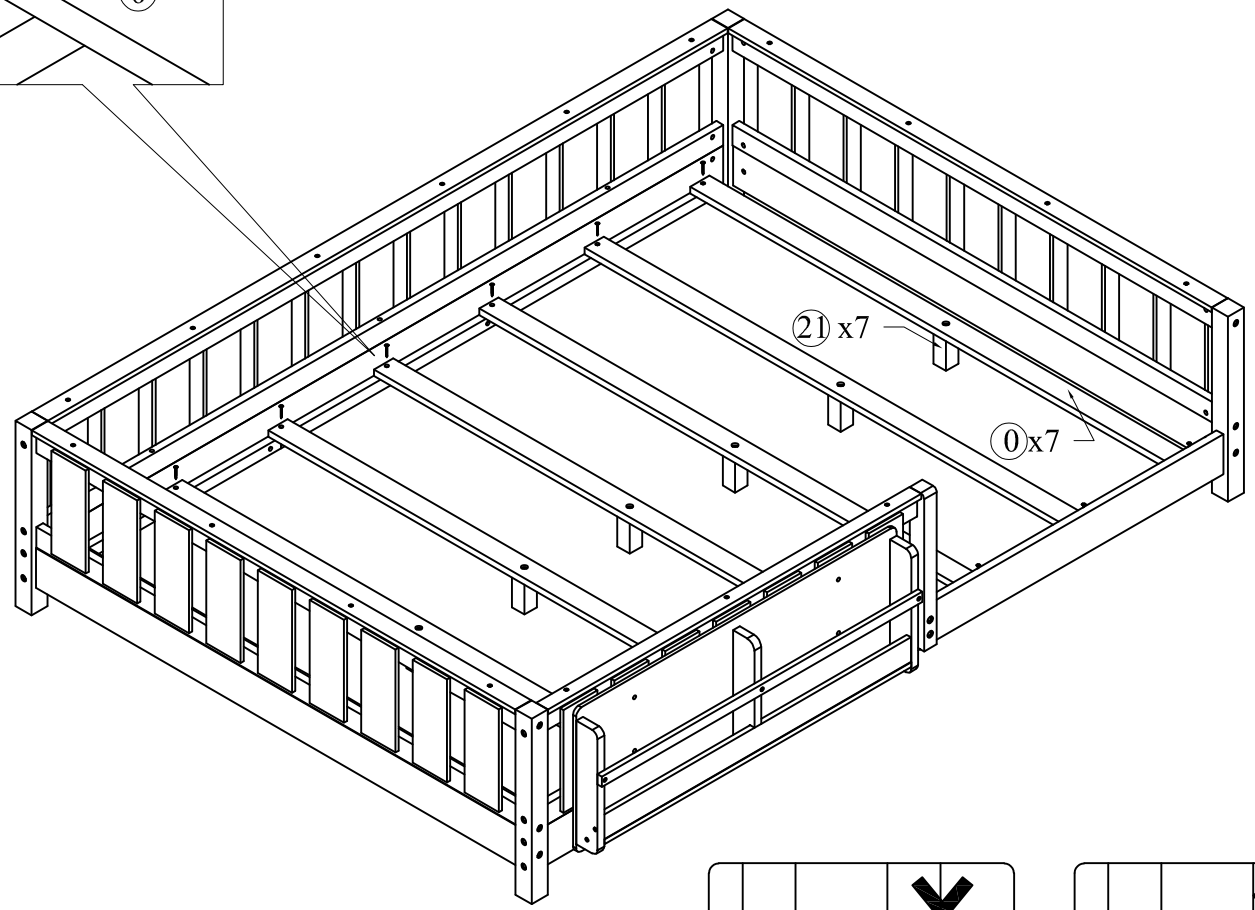
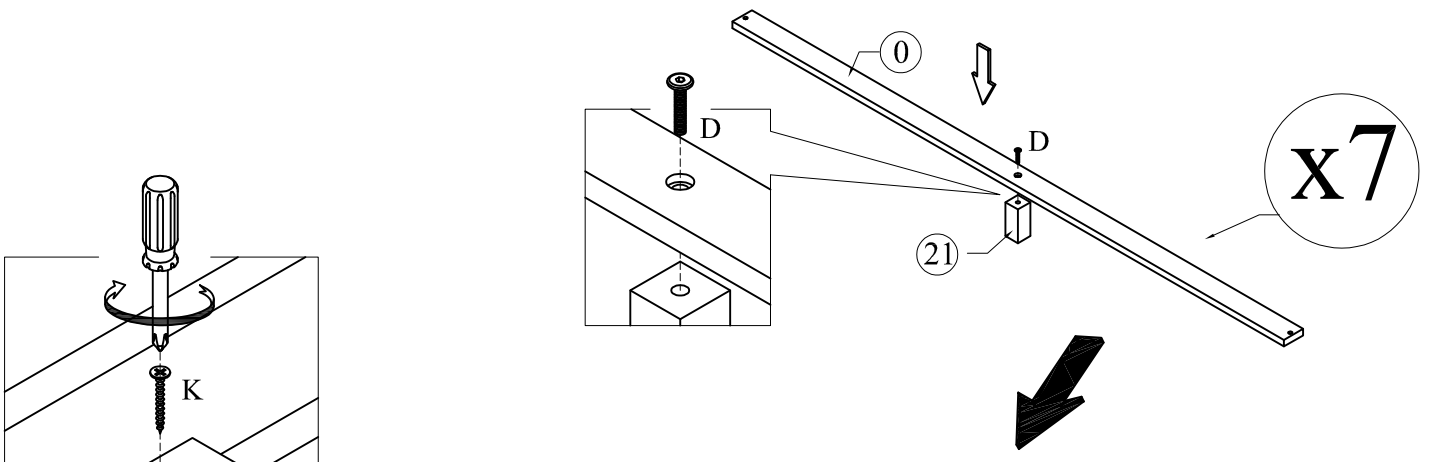
# STEP 11

(B)		04
(I)		04



# STEP 12

(D)		07
(K)		14



Check and fully tighten all bolts in the assembly steps to ensure a solid structure.

# COMPLETED

