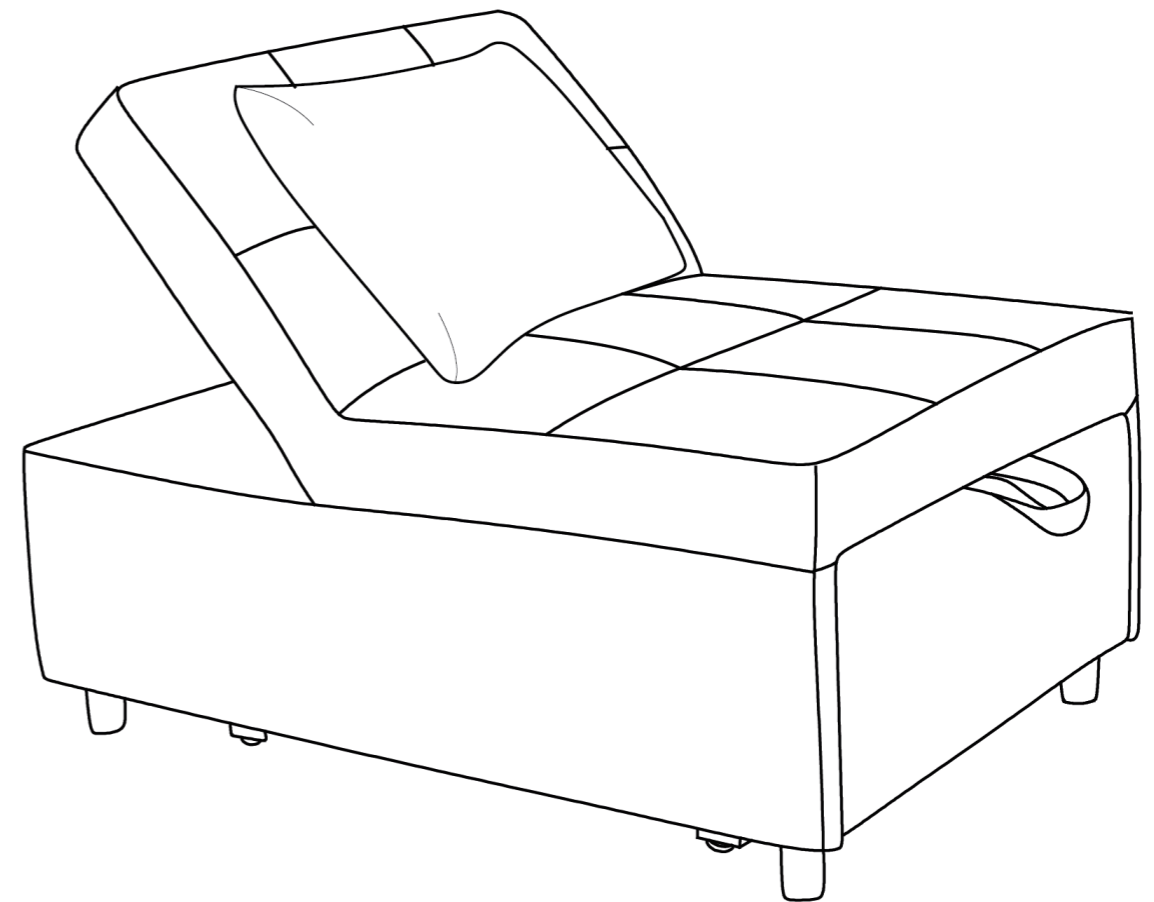
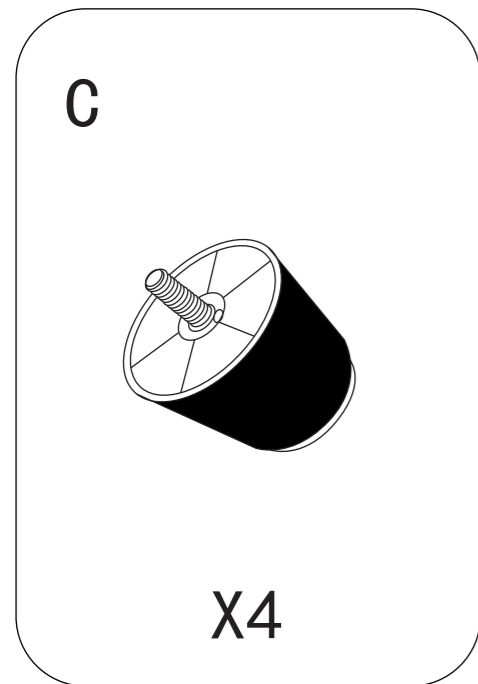
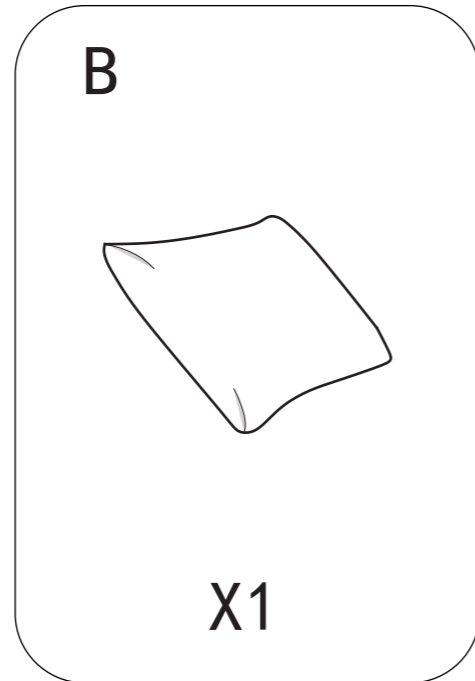
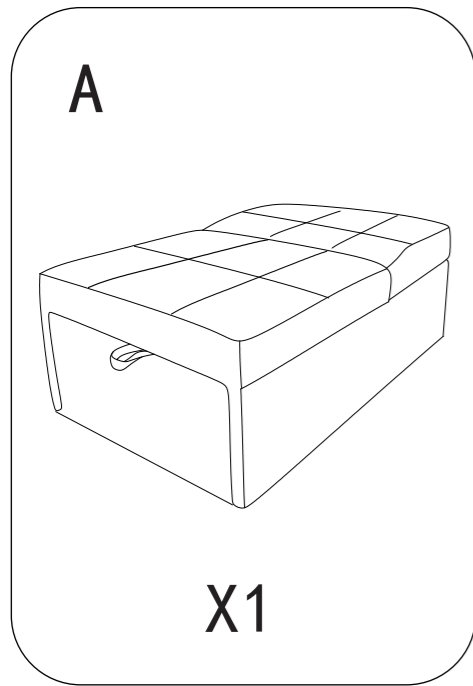


Folding Sofa Bed Assembly Instructions



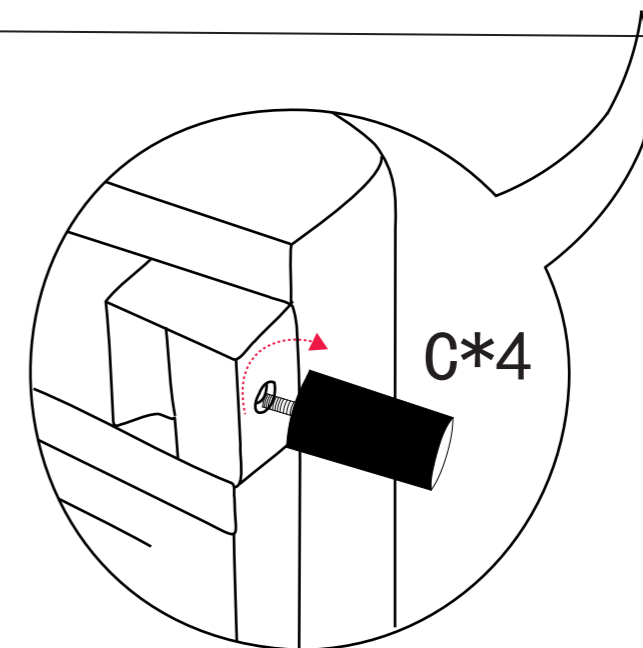
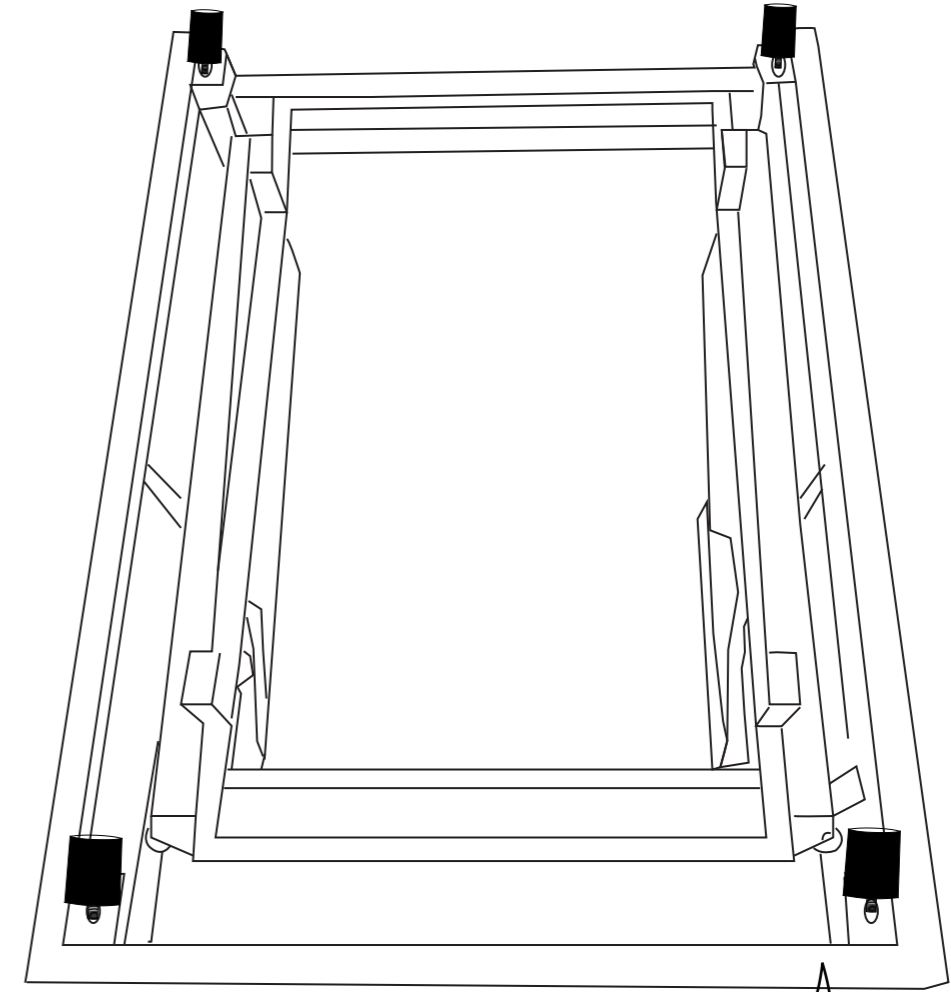
Product parts

Parts Included



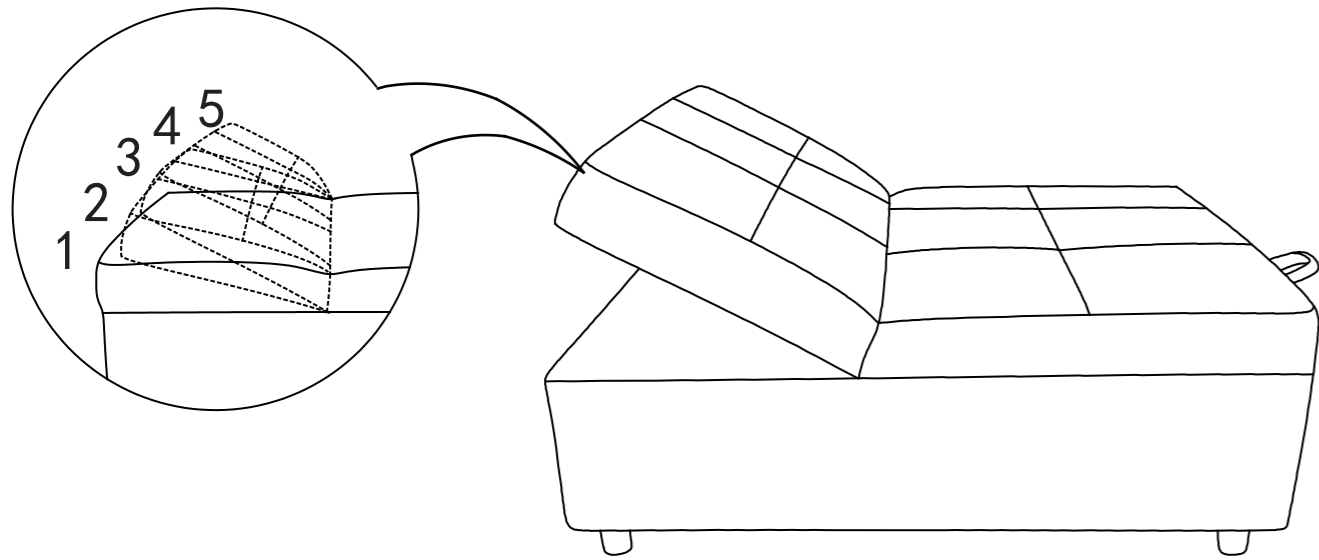
Step1: Feet assembly

Open the box, take out all the parts, select part# A and part# C (Sofa feet), as shown in the picture, install part C on A

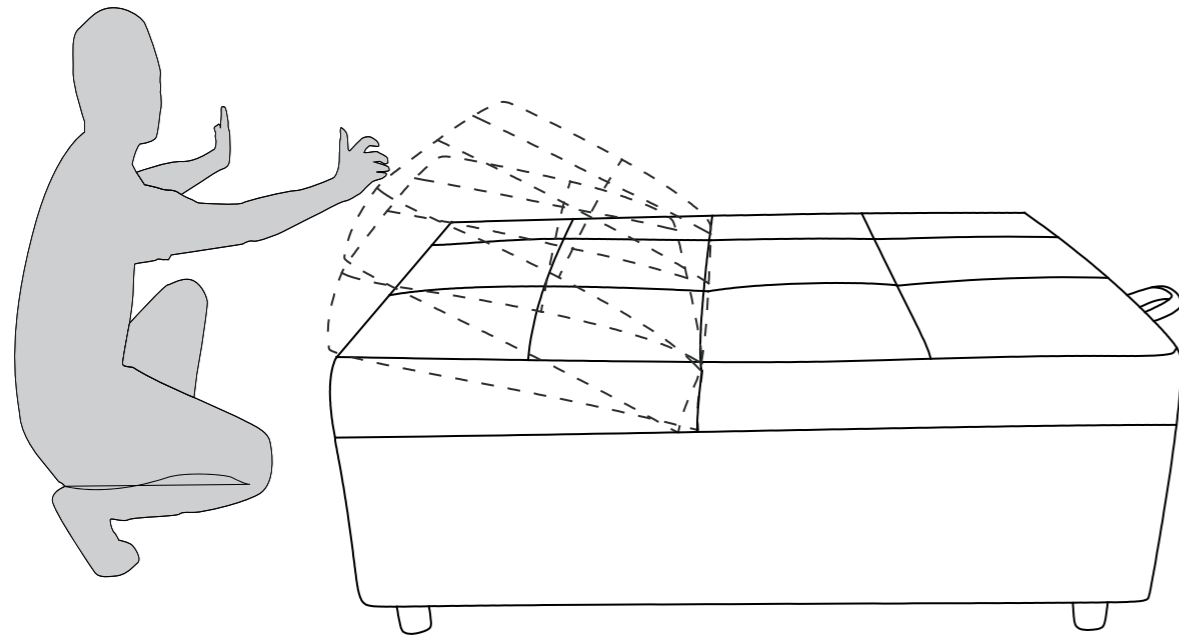


Step2: Backrest adjustment

①Lift the backrest up and you get 5 positions

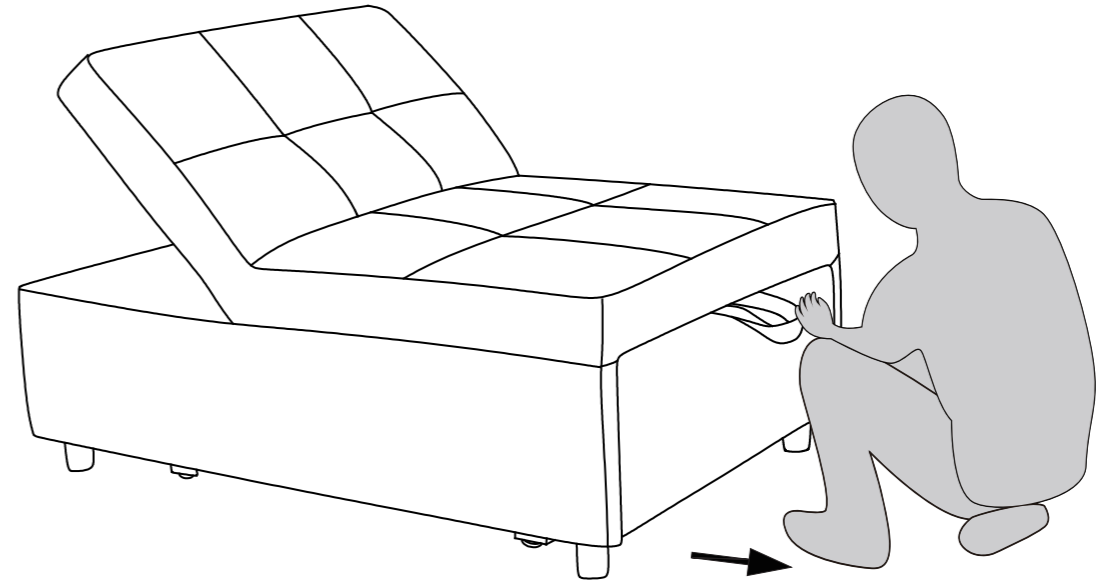


②Push the backrest forward and make it back to flat again

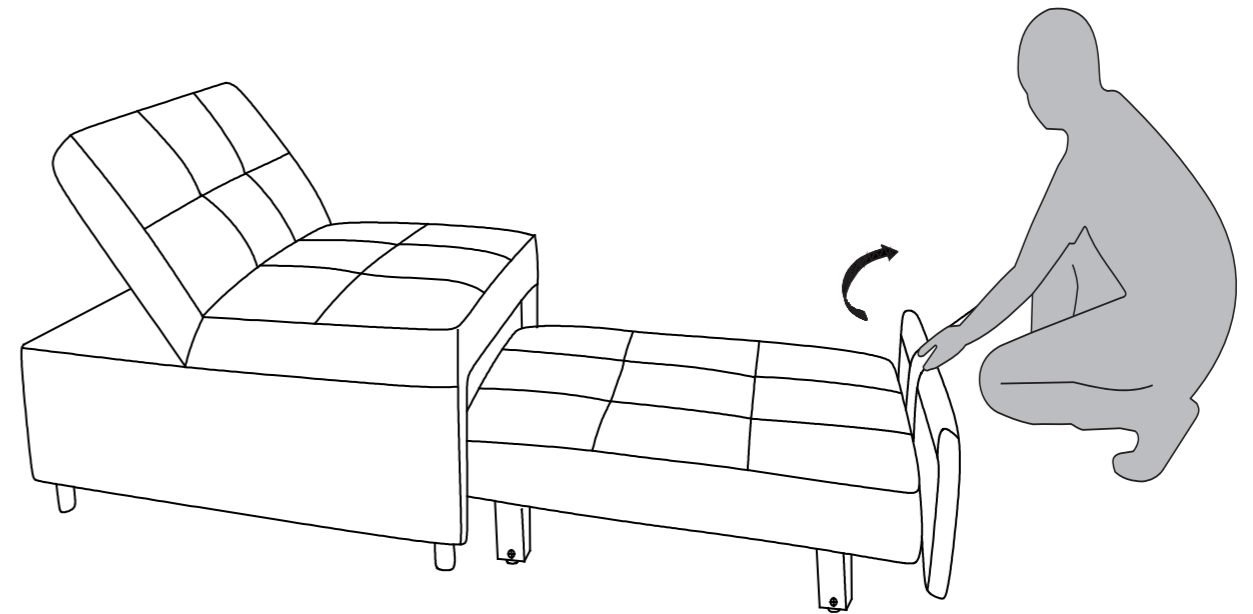


Step3: Unfold & Fold

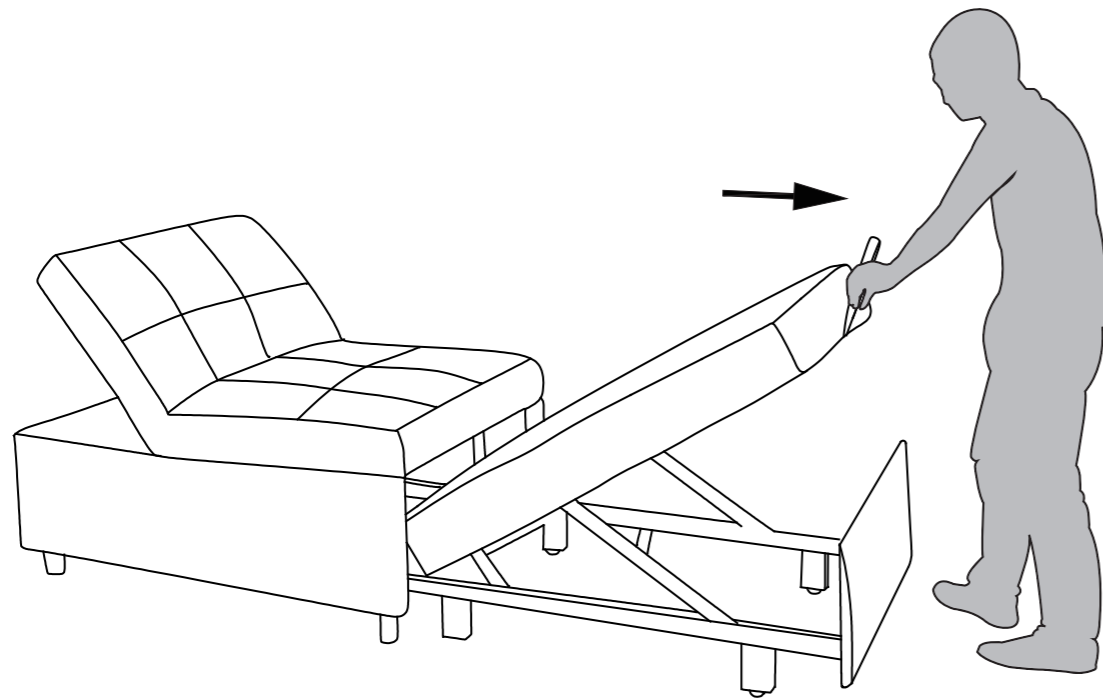
①Pull the strap out and you get ②



②Lift the strap up and you get ③

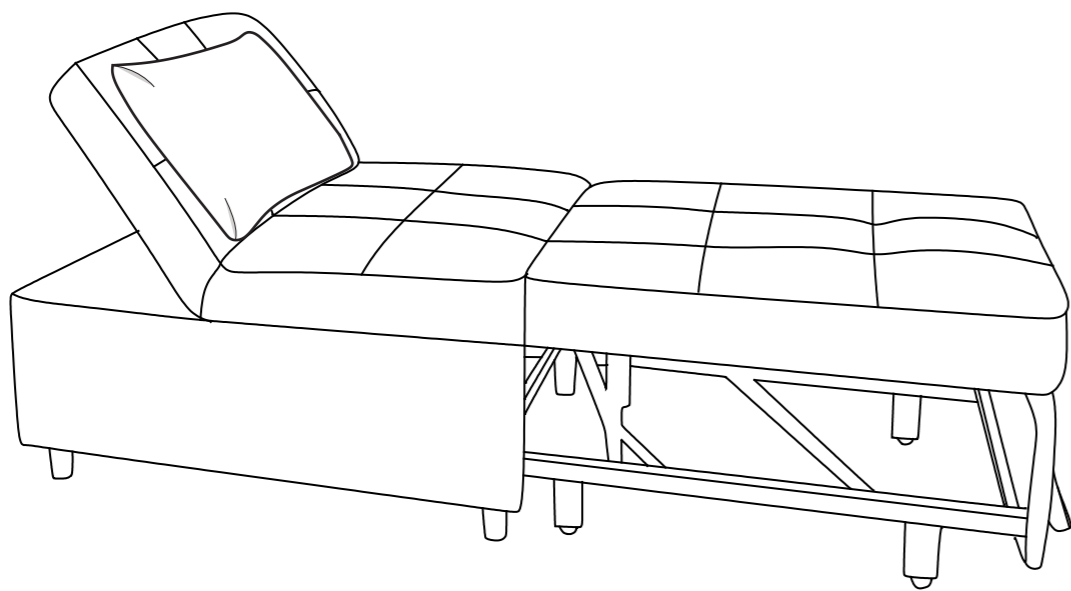


[Guarantee]



③ Pull the strap back and you get ④

④ Follow ③, ②, ① and reverse the steps to restore the form in Figure ①



Have a great shopping experience