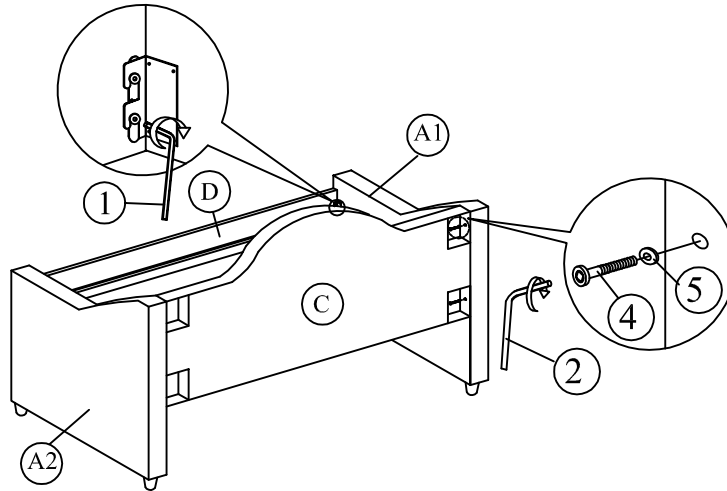


ASSEMBLY INSTRUCTION

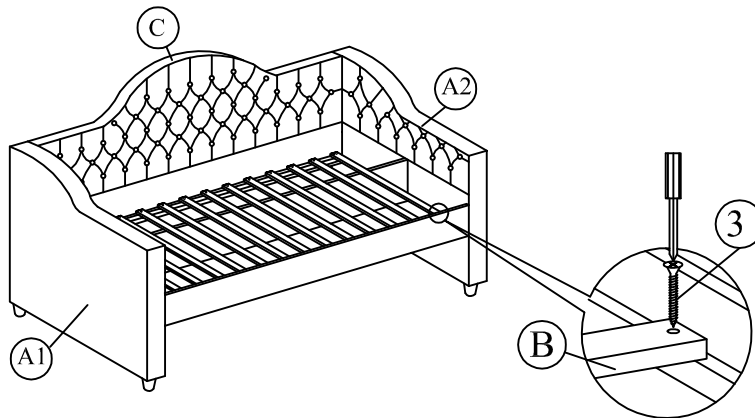
A	Arm A1	2 pcs
B	Slat 14 Pcs	1 pc
C	Back Panel	1 pc
D	Side Rail	1 pc
E	Trundle Front Panel (PU)	1 pc
F	Trundle Back Panel	1 pc
G	Trundle Side Panel	2 pcs
H	Slat 13 Pcs	1 pc
I	Middle Panel	1 pc
Packing Hardware (1)		
1	M5 x 70 mm	1 pc
2	M5 x 65 mm	1 pc
3	CSK M4 x 32mm	28 pcs
4	JCBC M6 X 50	4 pcs
5	FLAT WASHER	4 pcs
Packing Hardware (2)		
6	M5 x 70 mm	1 pc
7	CSK M4 x 32 mm	44 pcs
8	Roller With Wooden	6 pcs

Step 1: Attach the back panel (C) to arm (A) . Attach side rail (D) to arm (A) by pushing the bracket down to fit it. Tighten with Allen Key (1)

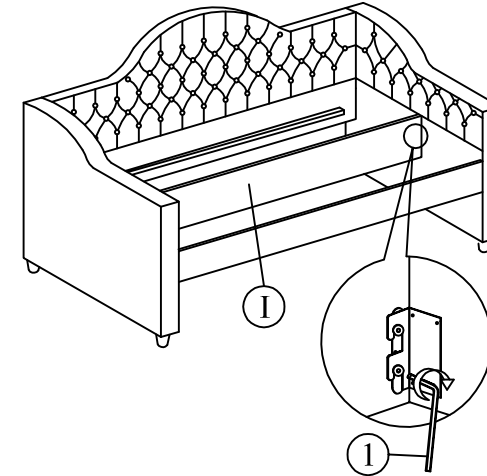


BACK VIEW

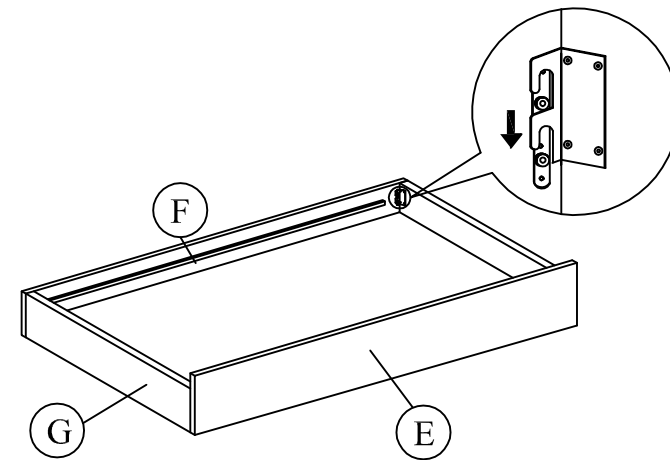
Step 3: Tighten the slats with CSK screw (3). The distance of the slats should be sufficient to obtain desirable bed stability.



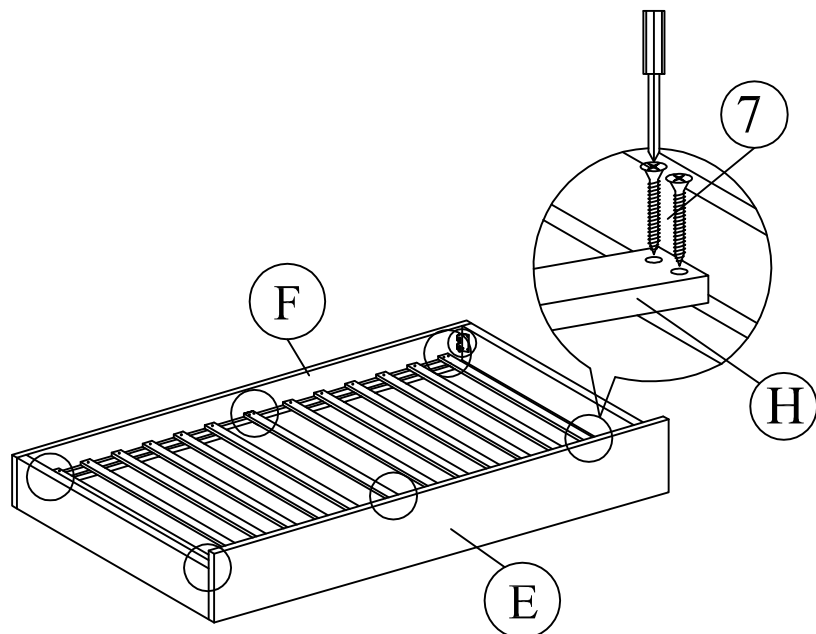
Step 2: Attach middle panel (H) to arm (A) by pushing the bracket down to fit it. Tighten with Allen Key (1)



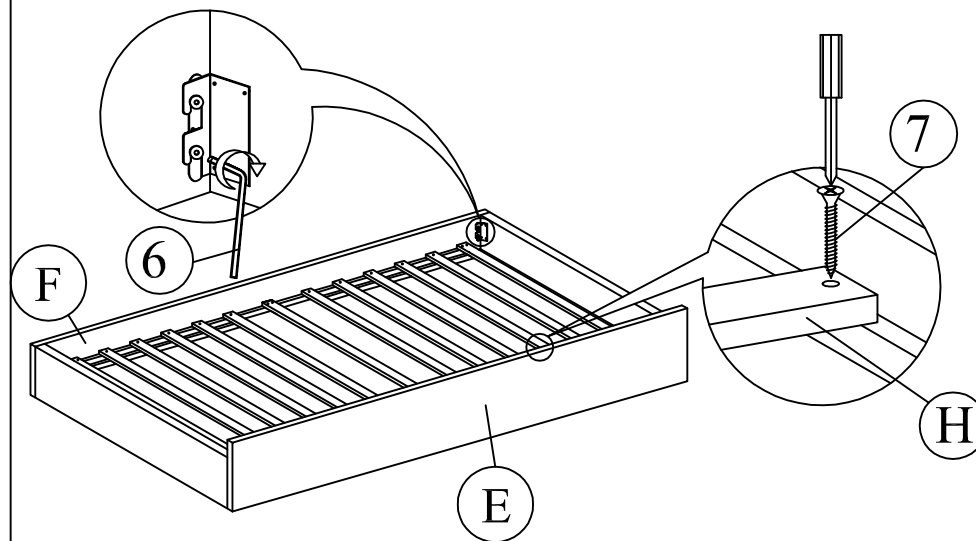
Step 4: Attach trundle side panel (G) and trundle front panel (E) to trundle back panel (F) by pushing the bracket down to fit it.



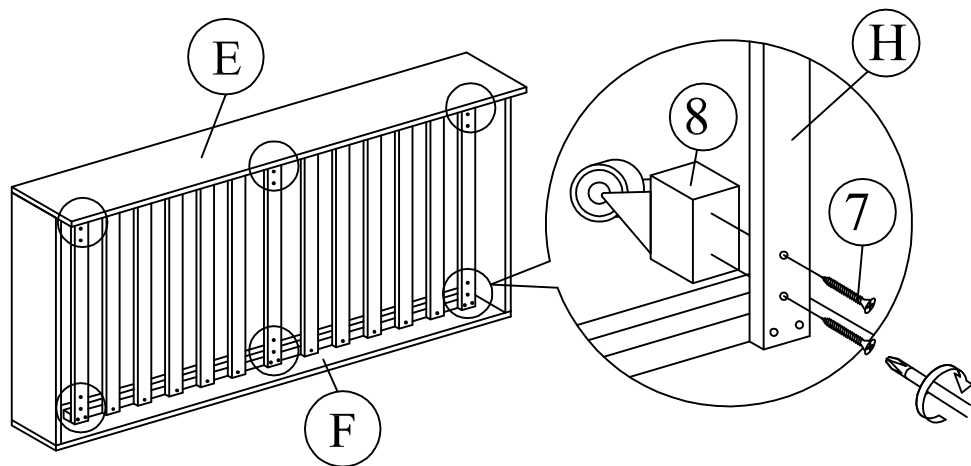
Step 5 :Fix the slat (H) to the side rail at (E) & (F) .



Step 6: Tighten the 4 Corner with Allen Key (3) and fix the slat (H) to the side rail at (E) & (F) .



Step 7: Turn the trundle to another side as below diagram and tighten the roller with wooden (8) at the slat (H) .



Step 8: Assembly is complete

