

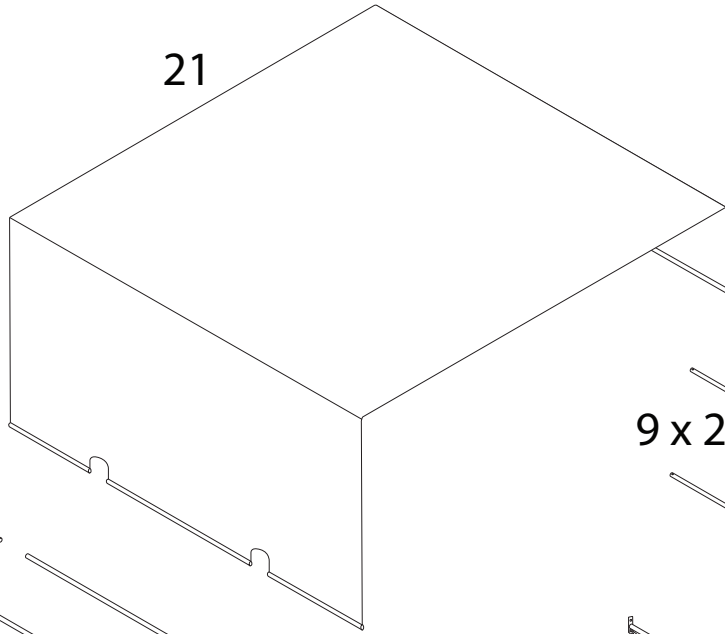




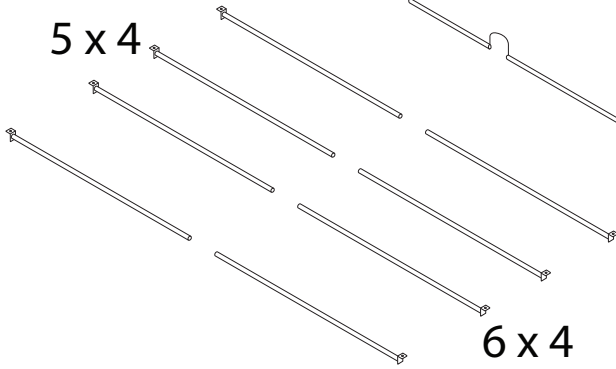
Diagram illustrating assembly instructions and safety warnings:

- Tools:** A circle contains icons for an Allen key, a screwdriver, and a wrench. A power drill is shown with a diagonal slash through it, indicating it should not be used.
- Warning:** A triangle with an exclamation mark.
- Time:** A clock icon with the text "60'" below it, indicating a 60-minute assembly time.
- Weight:** A person icon with the number "3" below it, indicating a maximum weight of 3 people.
- Warning:** A triangle with an exclamation mark.
- Weight Distribution:** A circle shows a rectangular block on a base with a diagonal slash through it, indicating that the weight should be distributed evenly.

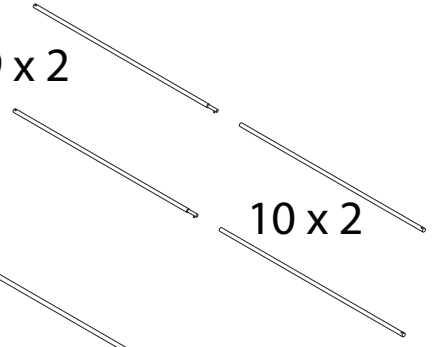
21



5 x 4

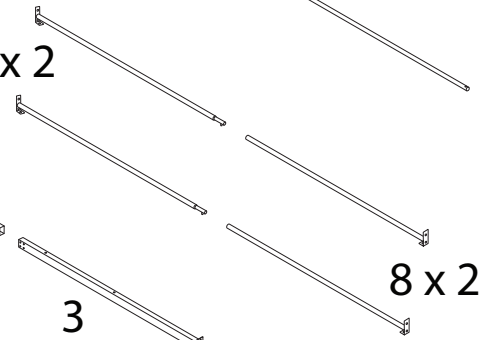


9 x 2



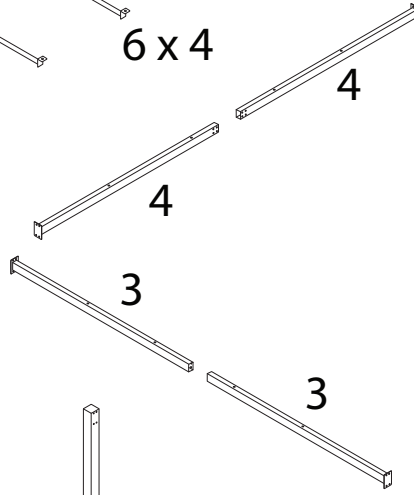
10 x 2

7 x 2



8 x 2

6 x 4



4

3

4

3

3

3

1

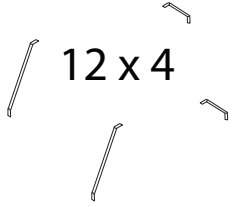
4

4

2

1

12 x 4



2

11 x 4



1



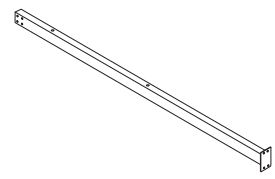
x 2

2



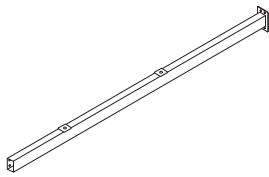
x 2

3



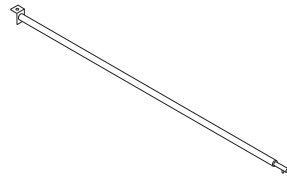
x 4

4



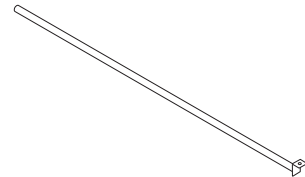
x 4

5



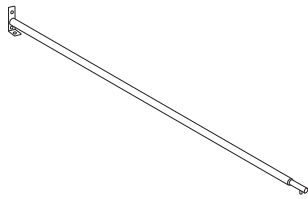
x 4

6



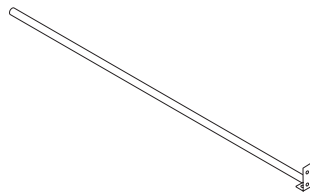
x 4

7



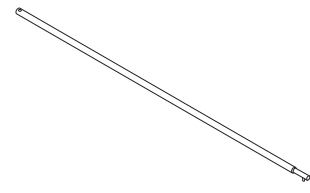
x 2

8



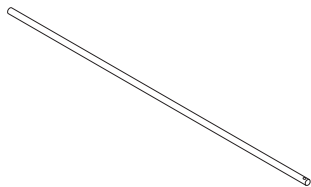
x 2

9



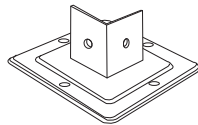
x 2

10



x 2

11



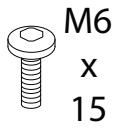
x 4

12



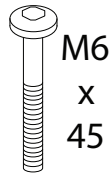
x 4

13



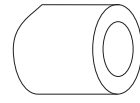
x 64

14



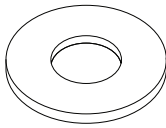
x 4

15



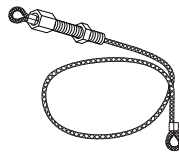
x 4

16



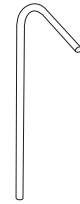
x 4

17



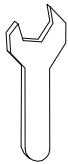
x 4

18



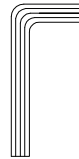
x 8

19



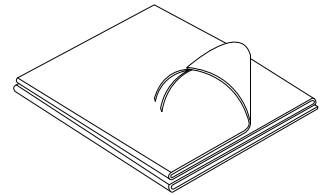
x 2

20



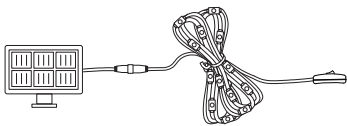
x 2

21



x 1

22a



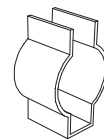
x 1

22b



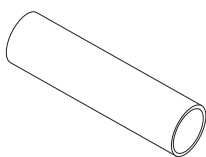
x 1

23



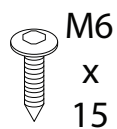
x 60

24



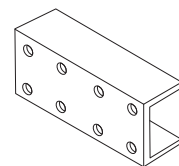
x 6

25



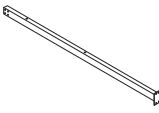
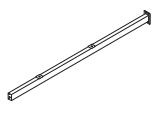
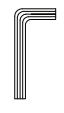

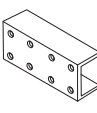
x 72

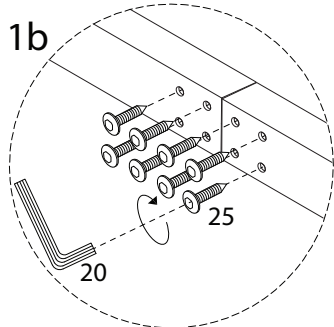
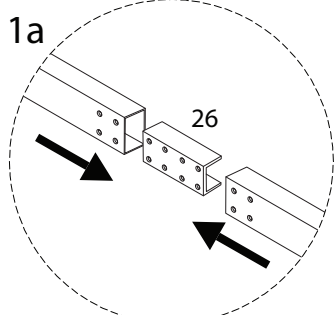
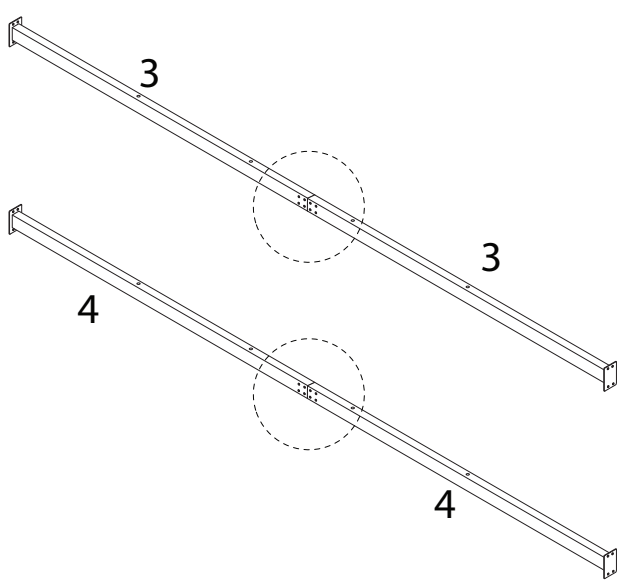
26






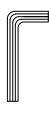
x 8

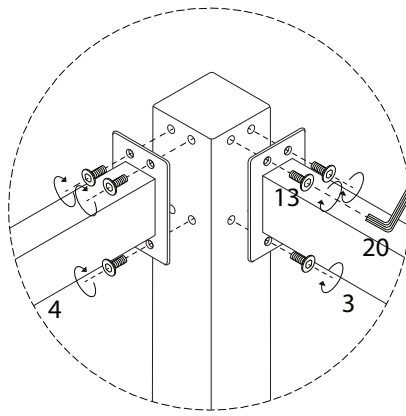
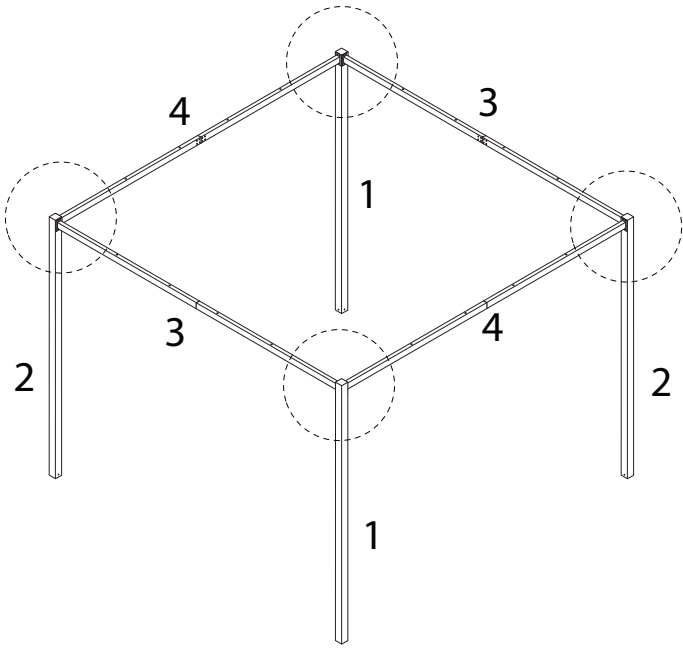
1 x 2

3  x 2	4  x 2	20  x 1	25  M6 x 15 x 16	26  x 2
---	---	--	---	--

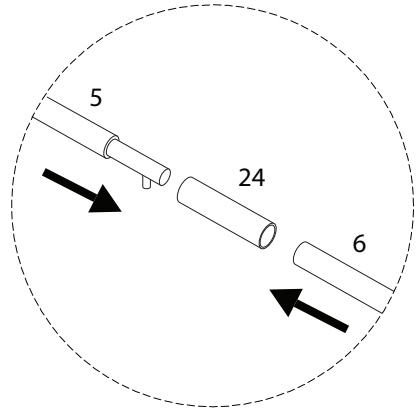
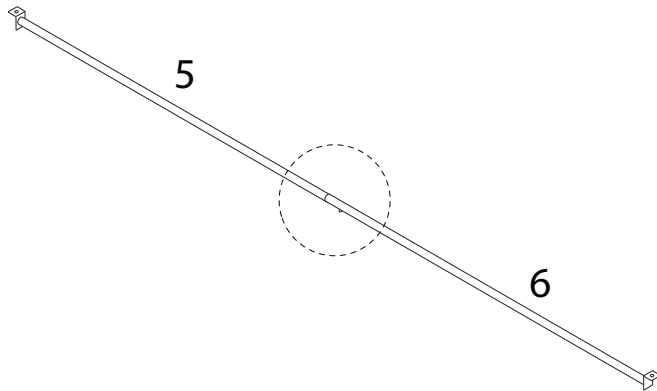
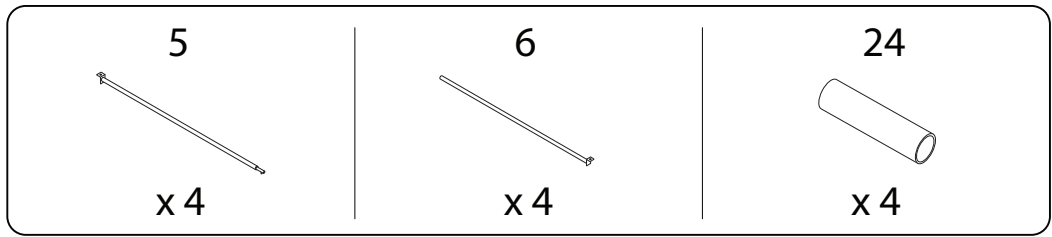


2

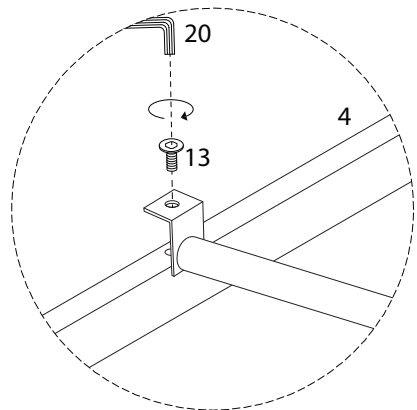
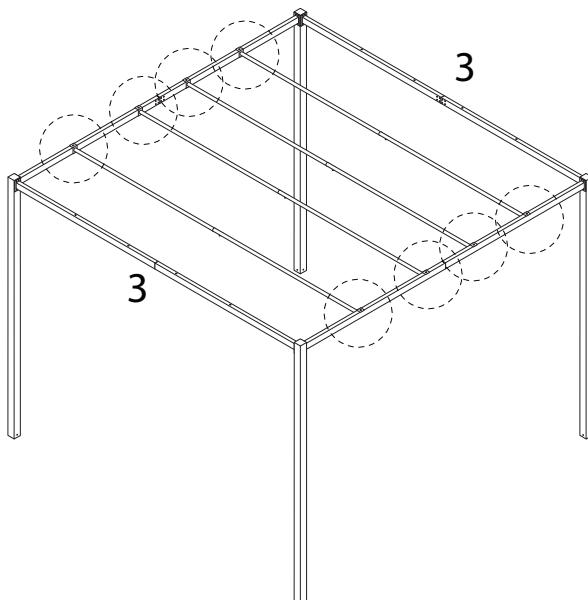
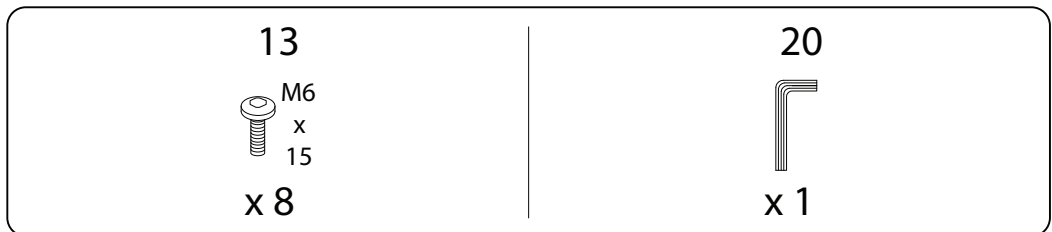
1  x 2	2  x 2	13  M6 x 15 x 32	20  x 1
---	---	--	--



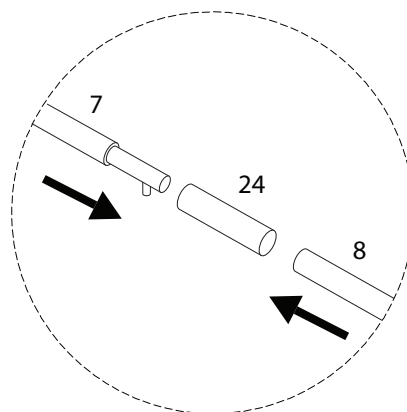
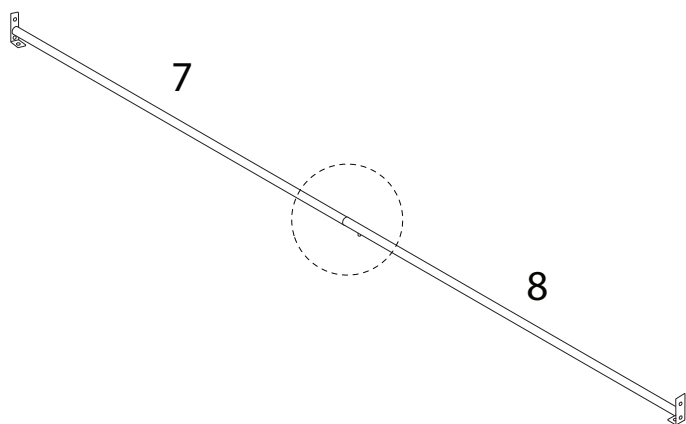
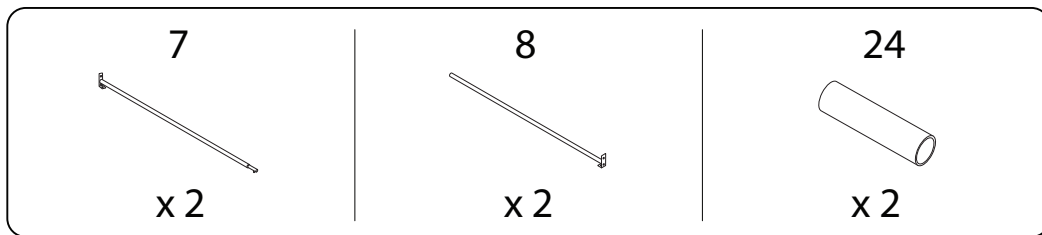
3 x 4



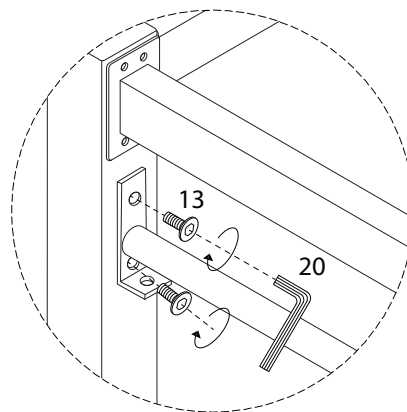
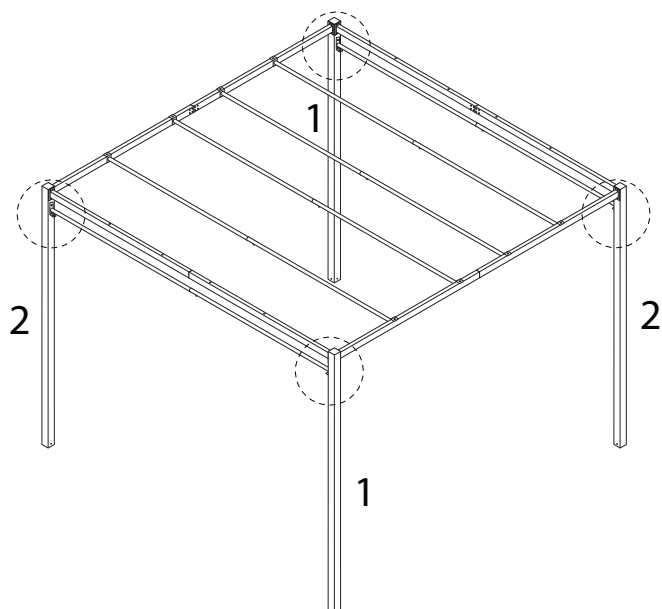
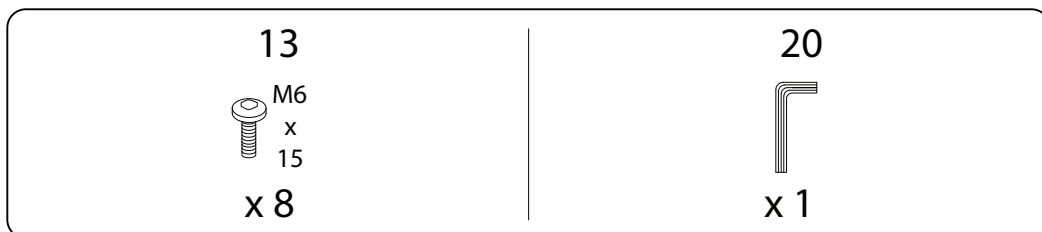
4



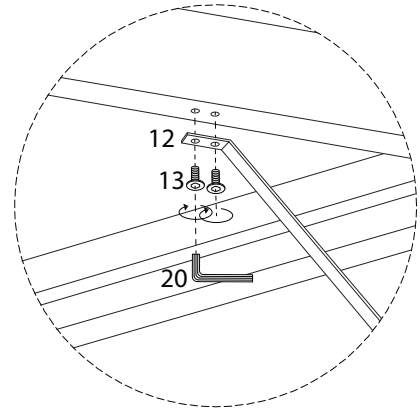
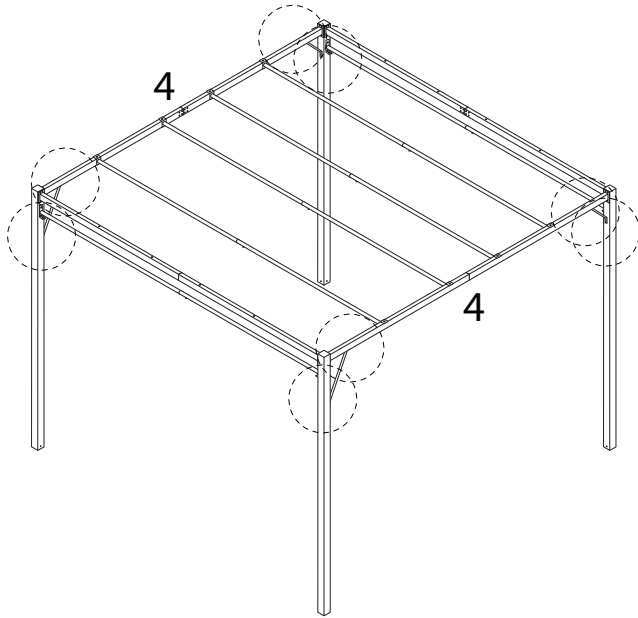
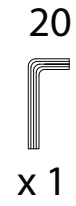
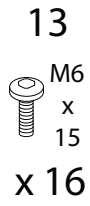
5 x 2



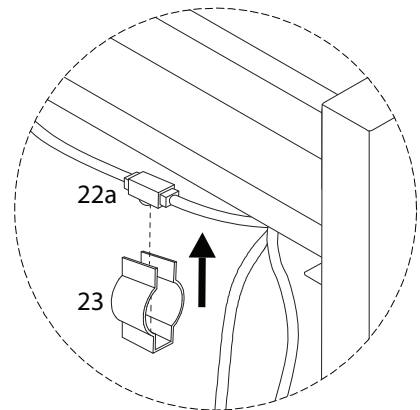
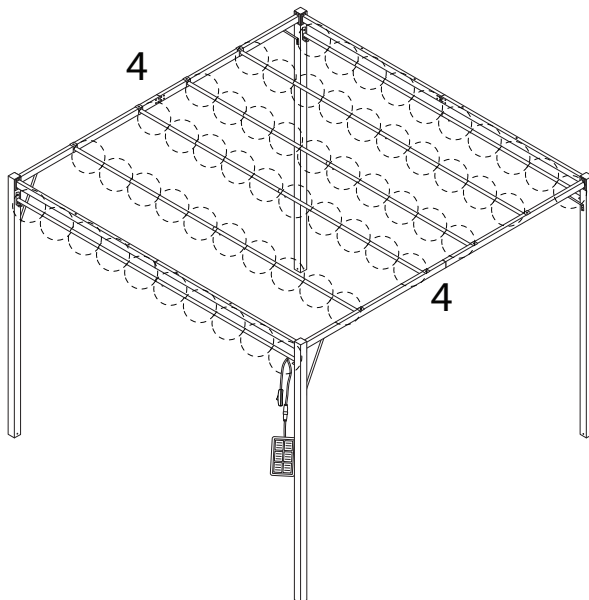
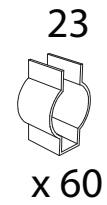
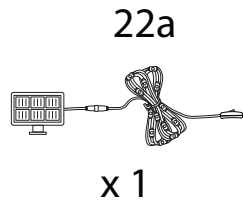
6



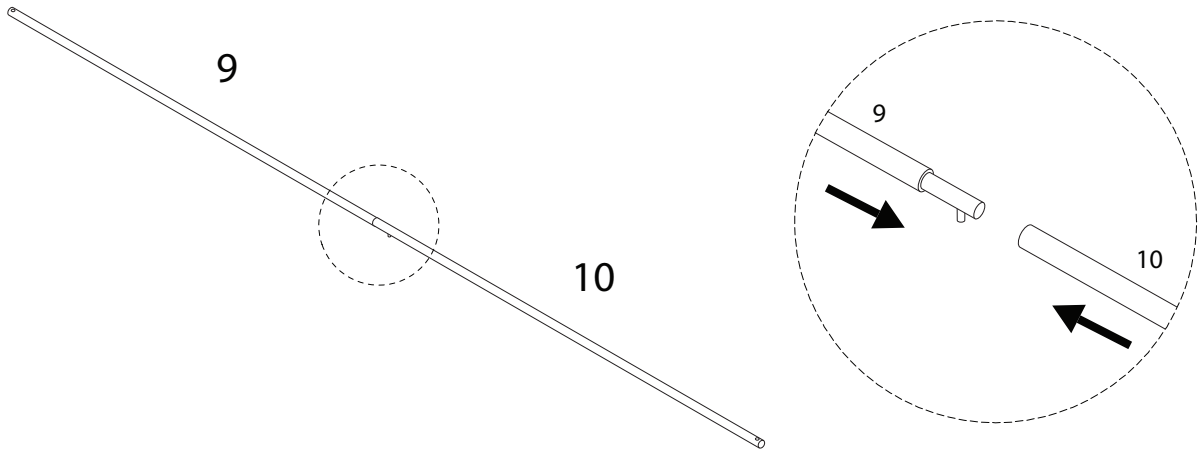
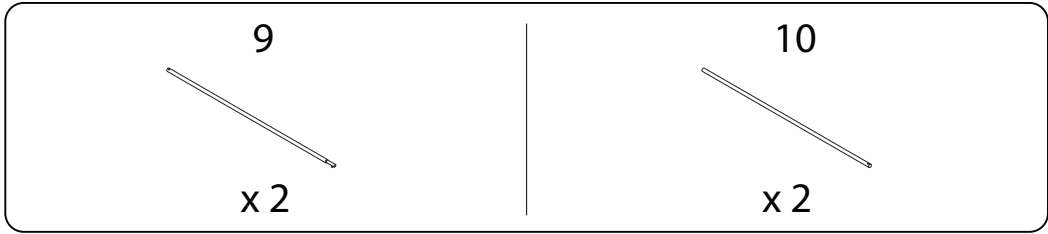
7



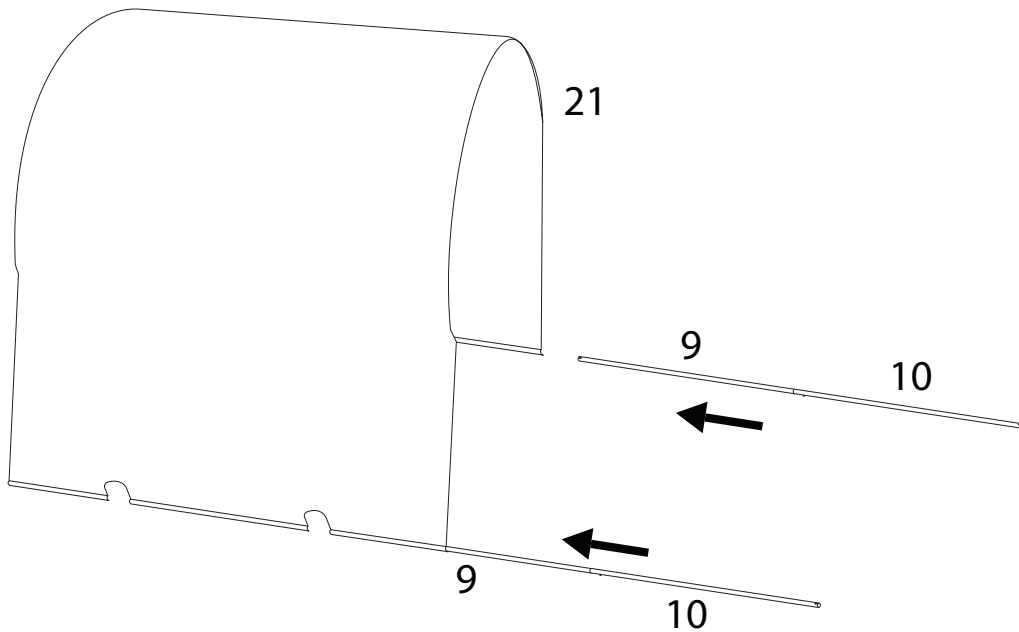
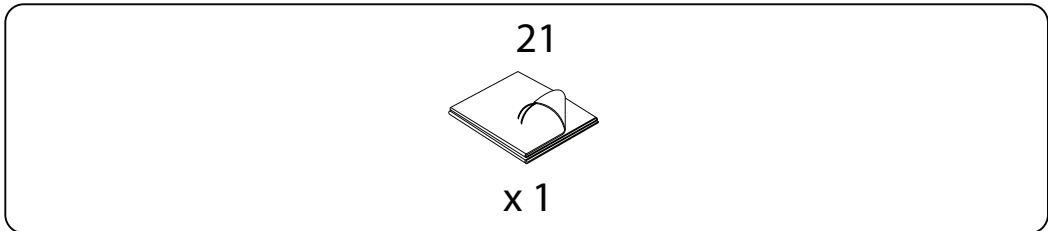
8



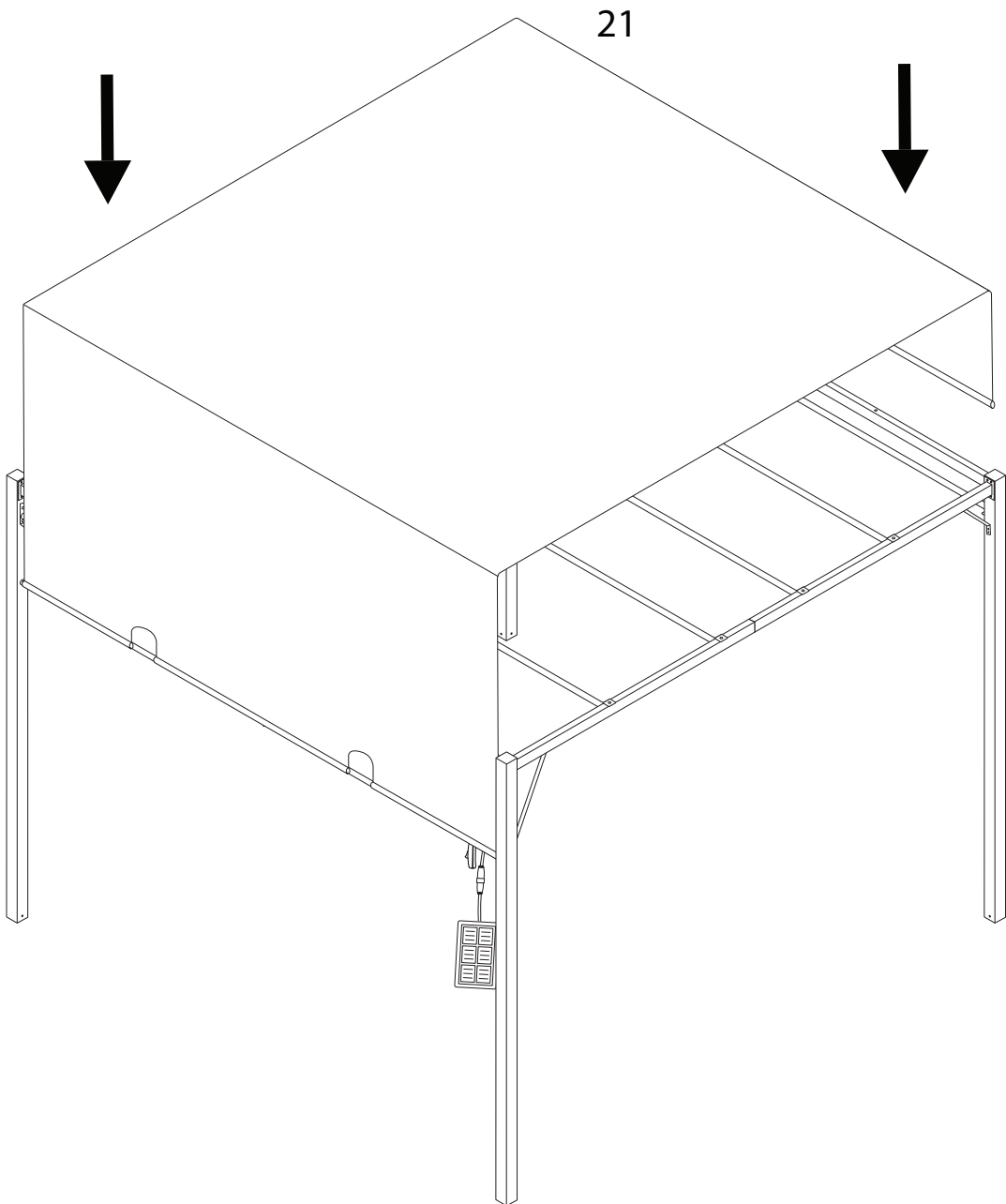
9 x 2



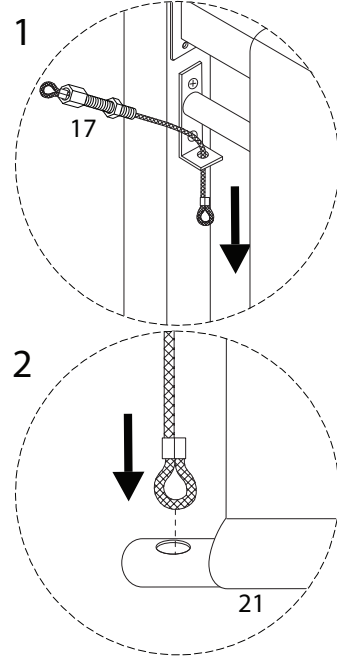
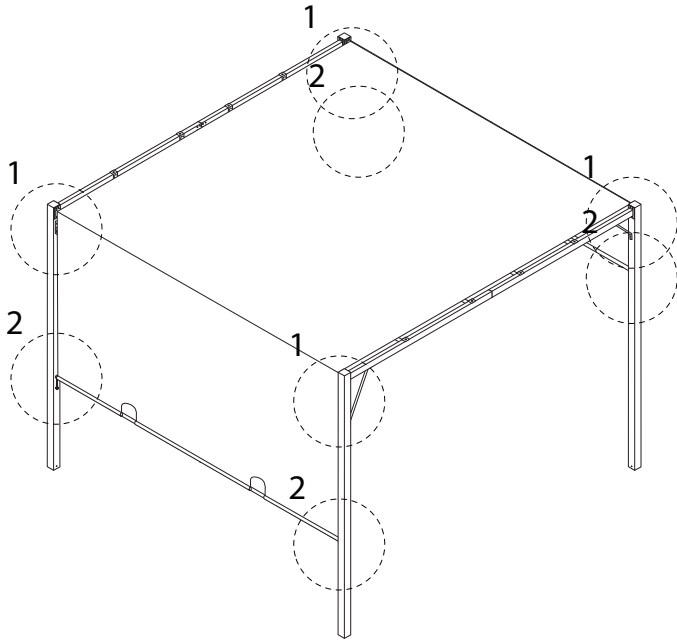
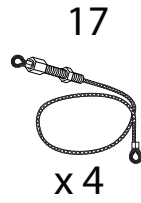
10



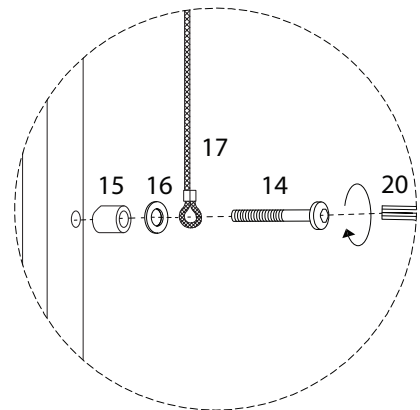
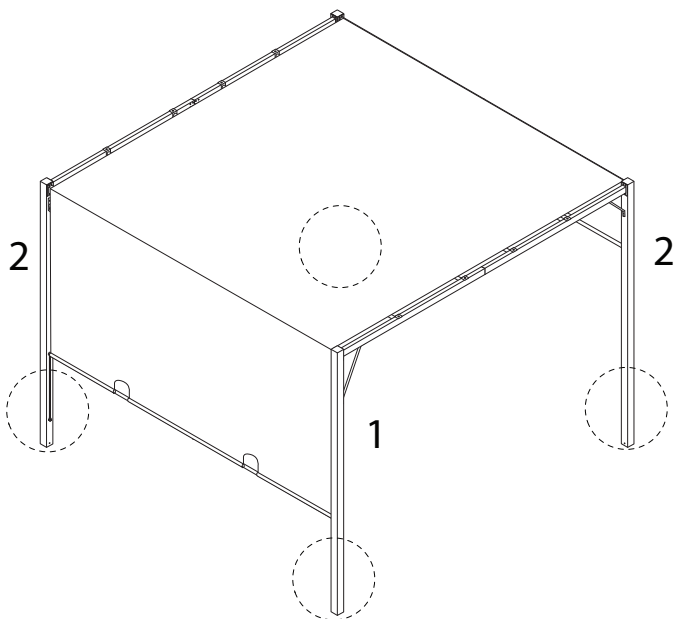
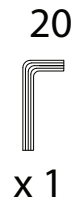
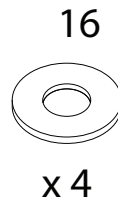
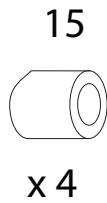
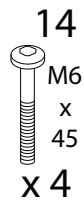
11



12



13

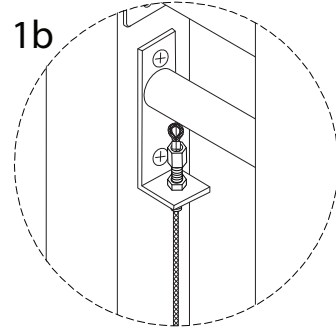
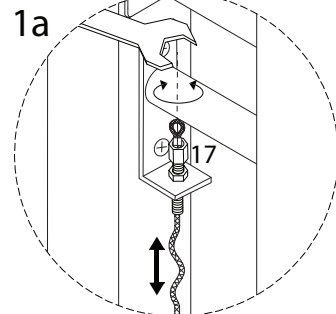
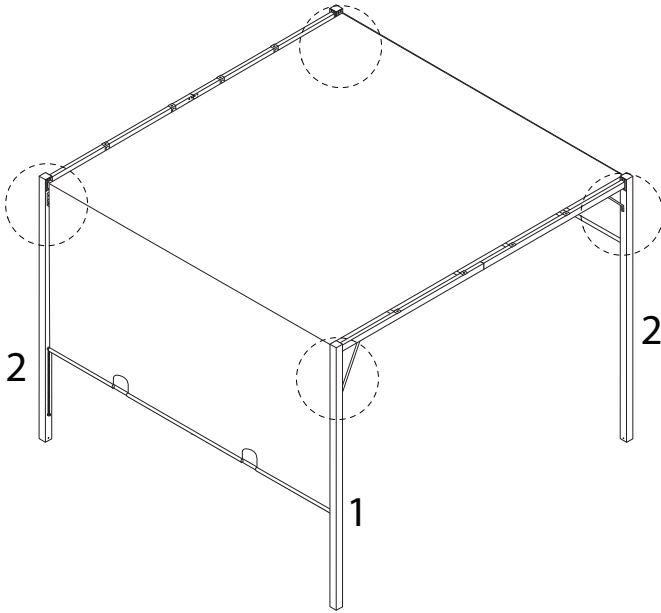


14

19

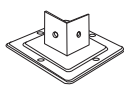


x 1



15

11



x 4

20



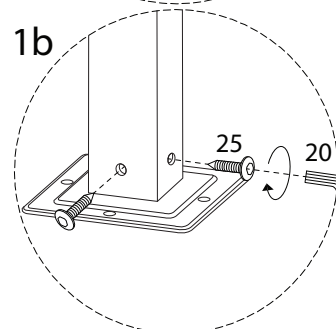
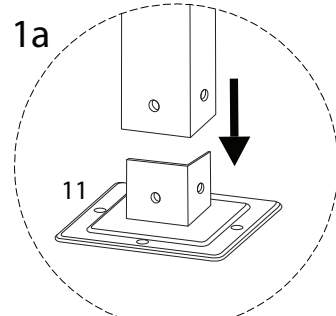
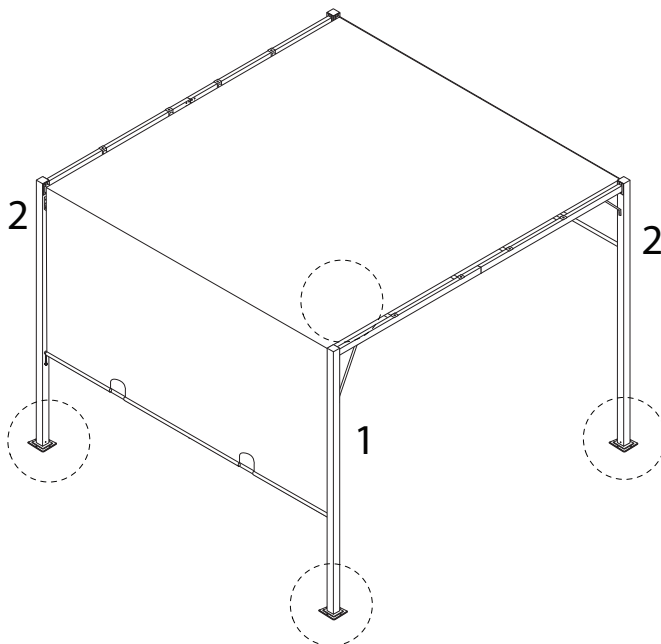
x 1

25



M6  
x 15

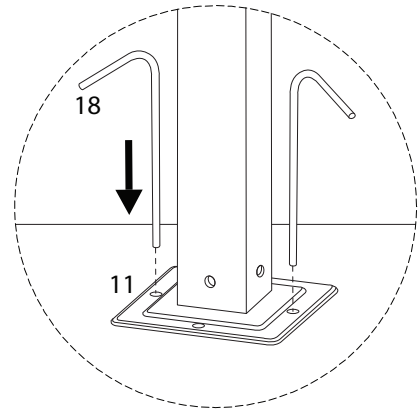
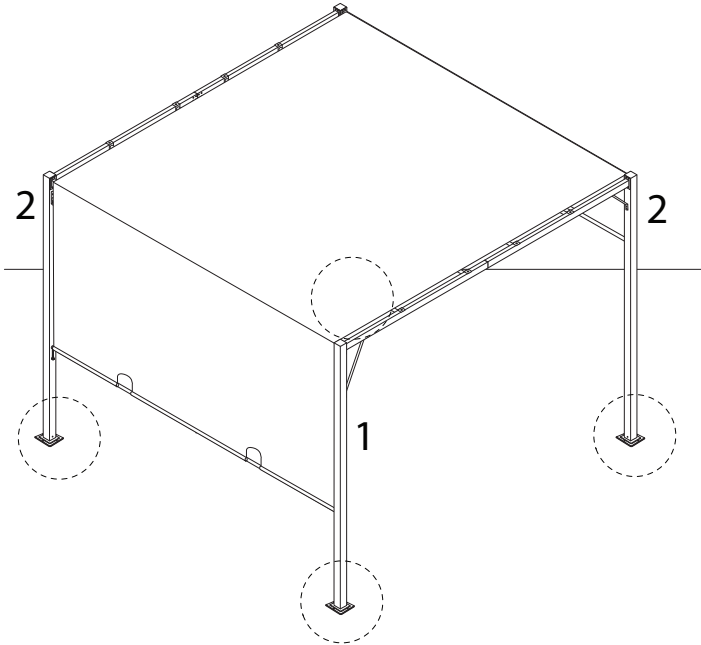
x 8



16

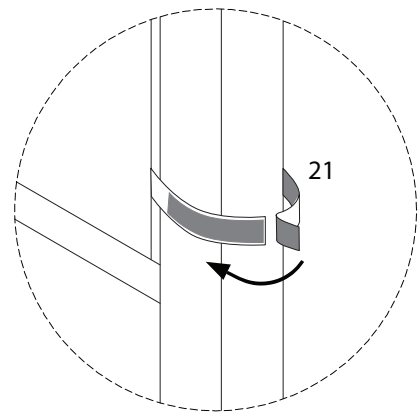
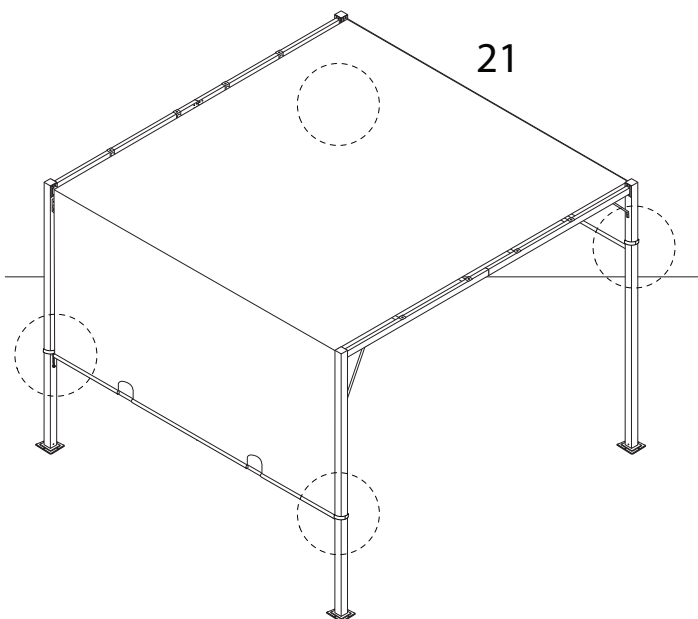
18

x 8



17

21



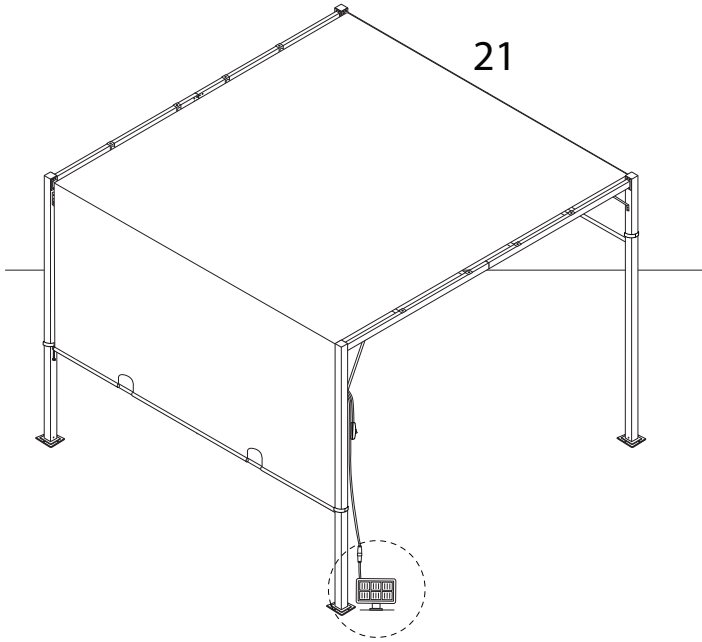
18

22b



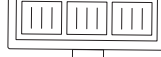
x 1

21



1a

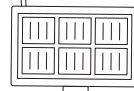
22a



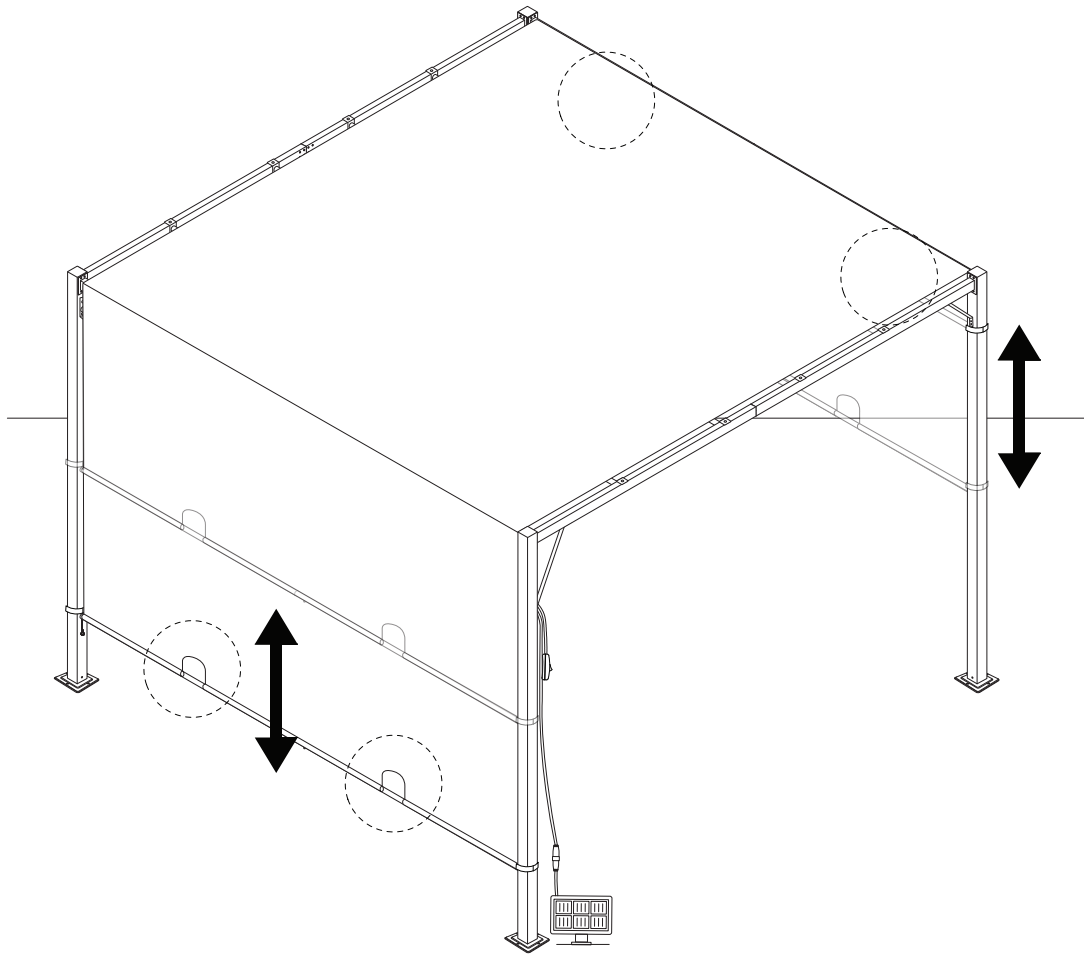
22b



1b



19



!

