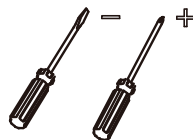
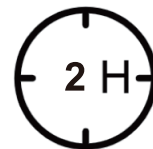


2 person



tools require

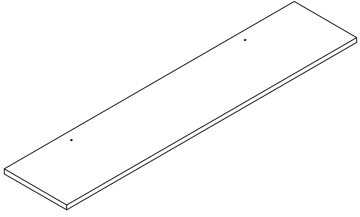
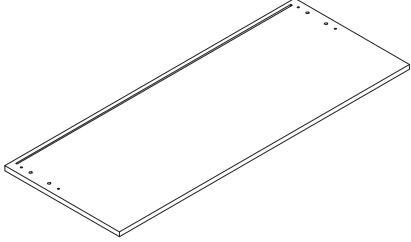
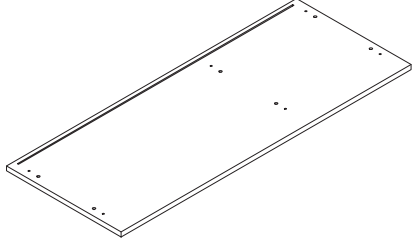
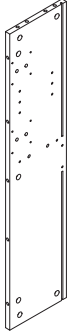
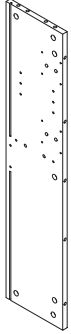
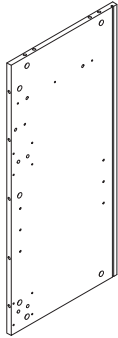
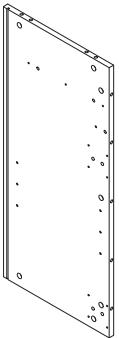
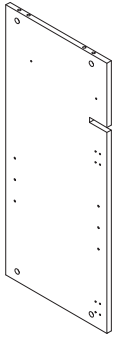
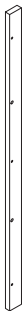

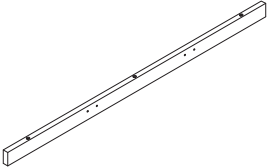
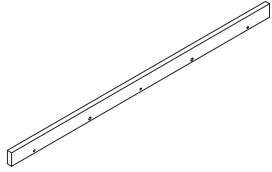
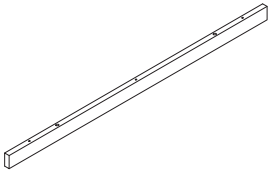
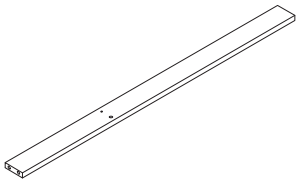
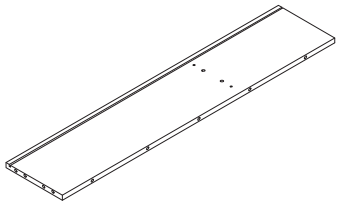


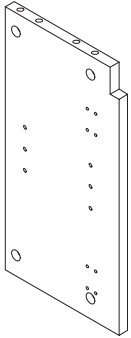
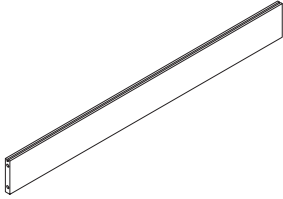
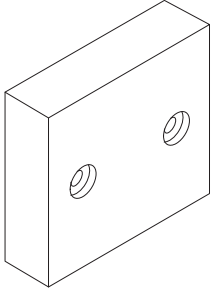
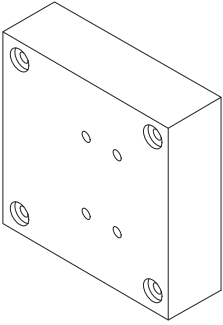
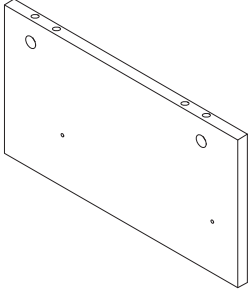
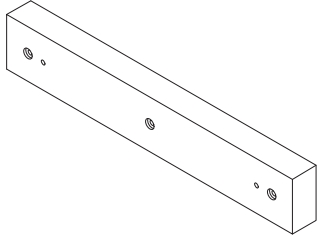
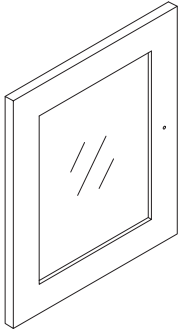
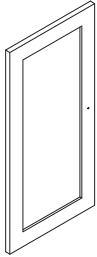
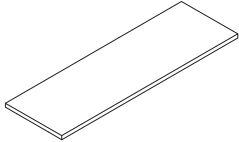
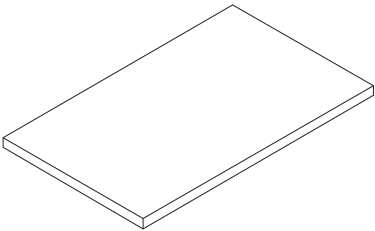
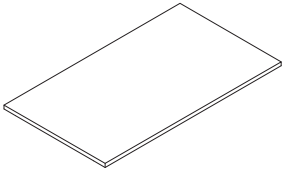
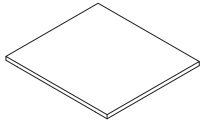
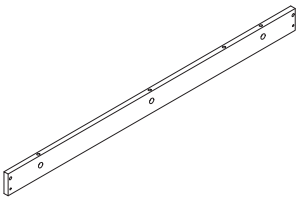
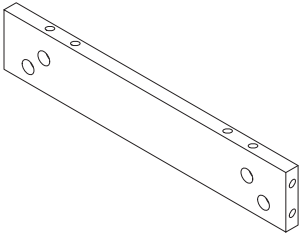
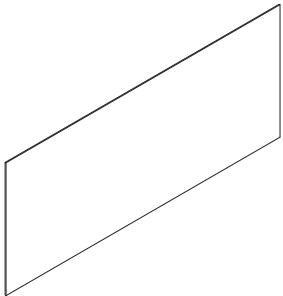
2 hours need

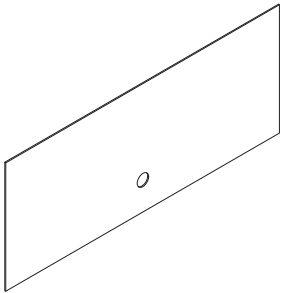
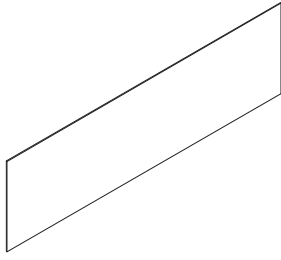
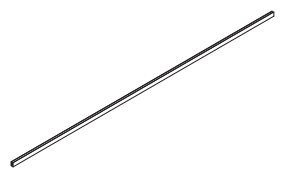
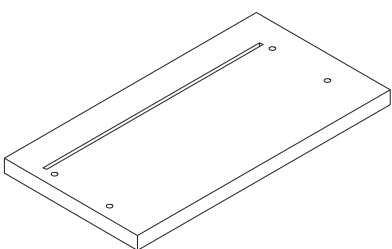
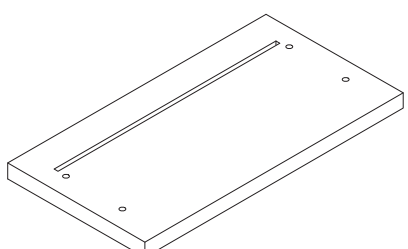
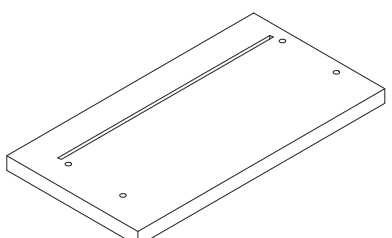
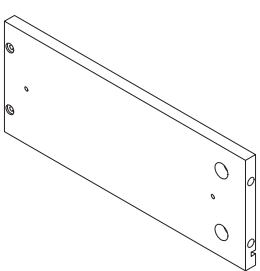
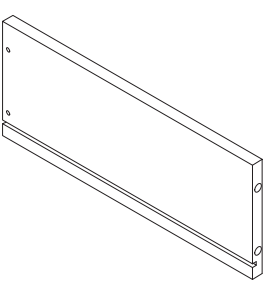
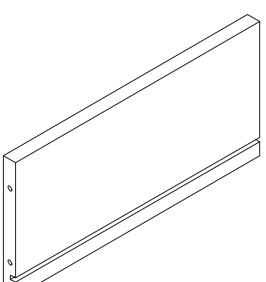
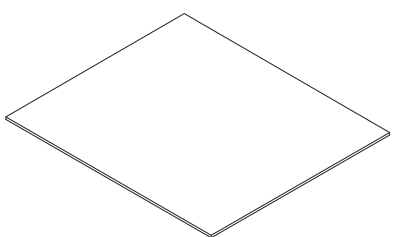


**PLEASE BE CAREFUL DO NOT DAMAGE THE HOLE POSITION
WHEN YOU USE POWER TOOLS !**

PARTS

<p>①</p>  <p>1PC</p>	<p>②</p>  <p>1PC</p>	<p>③</p>  <p>1PC</p>
<p>④</p>  <p>1PC</p>	<p>⑤</p>  <p>1PC</p>	<p>⑥</p>  <p>1PC</p>
<p>⑦</p>  <p>1PC</p>	<p>⑧</p>  <p>1PC</p>	<p>⑨</p>  <p>2PCS</p>
<p>⑩</p>  <p>2PCS</p>	<p>⑪</p>  <p>1PC</p>	<p>⑫</p>  <p>1PC</p>
<p>⑬</p>  <p>1PC</p>	<p>⑭</p>  <p>1PC</p>	<p>⑮</p>  <p>1PC</p>

<p>①⑥</p>  <p>1PC</p>	<p>①⑦</p>  <p>1PC</p>	<p>①⑧</p>  <p>2PCS</p>
<p>①⑨</p>  <p>8PCS</p>	<p>②⑩</p>  <p>1PC</p>	<p>②⑪</p>  <p>2PCS</p>
<p>②②</p>  <p>3PCS</p>	<p>②③</p>  <p>3PCS</p>	<p>②④</p>  <p>1PC</p>
<p>②⑤</p>  <p>1PC</p>	<p>②⑥</p>  <p>1PC</p>	<p>②⑦</p>  <p>1PC</p>
<p>②⑧</p>  <p>2PCS</p>	<p>②⑨</p>  <p>2PCS</p>	<p>③⑩</p>  <p>1PC</p>

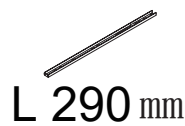
<p>③①</p>  <p>1PC</p>	<p>③②</p>  <p>3PCS</p>	<p>③③</p>  <p>2PCS</p>
<p>③④</p>  <p>1PC</p>	<p>③⑤</p>  <p>1PC</p>	<p>③⑥</p>  <p>1PC</p>
<p>③⑦</p>  <p>3PCS</p>	<p>③⑧</p>  <p>3PCS</p>	<p>③⑨</p>  <p>3PCS</p>
<p>④⑩</p>  <p>3PCS</p>		

Accessory List

A×6



B×6



C×24



D×79



E×6



F×77



G×77



H×51



I×4



J×16



K×10



L×74



M×6



N×6



O×3



P×6



Q×2



R×2



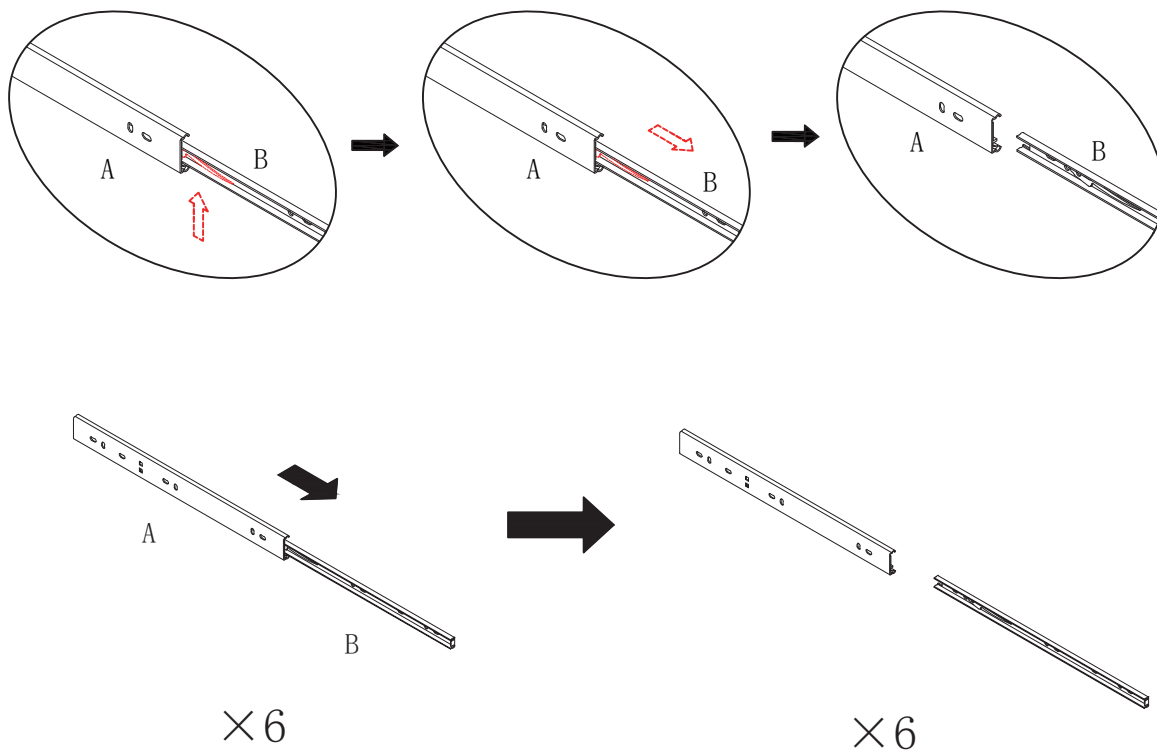
S×2



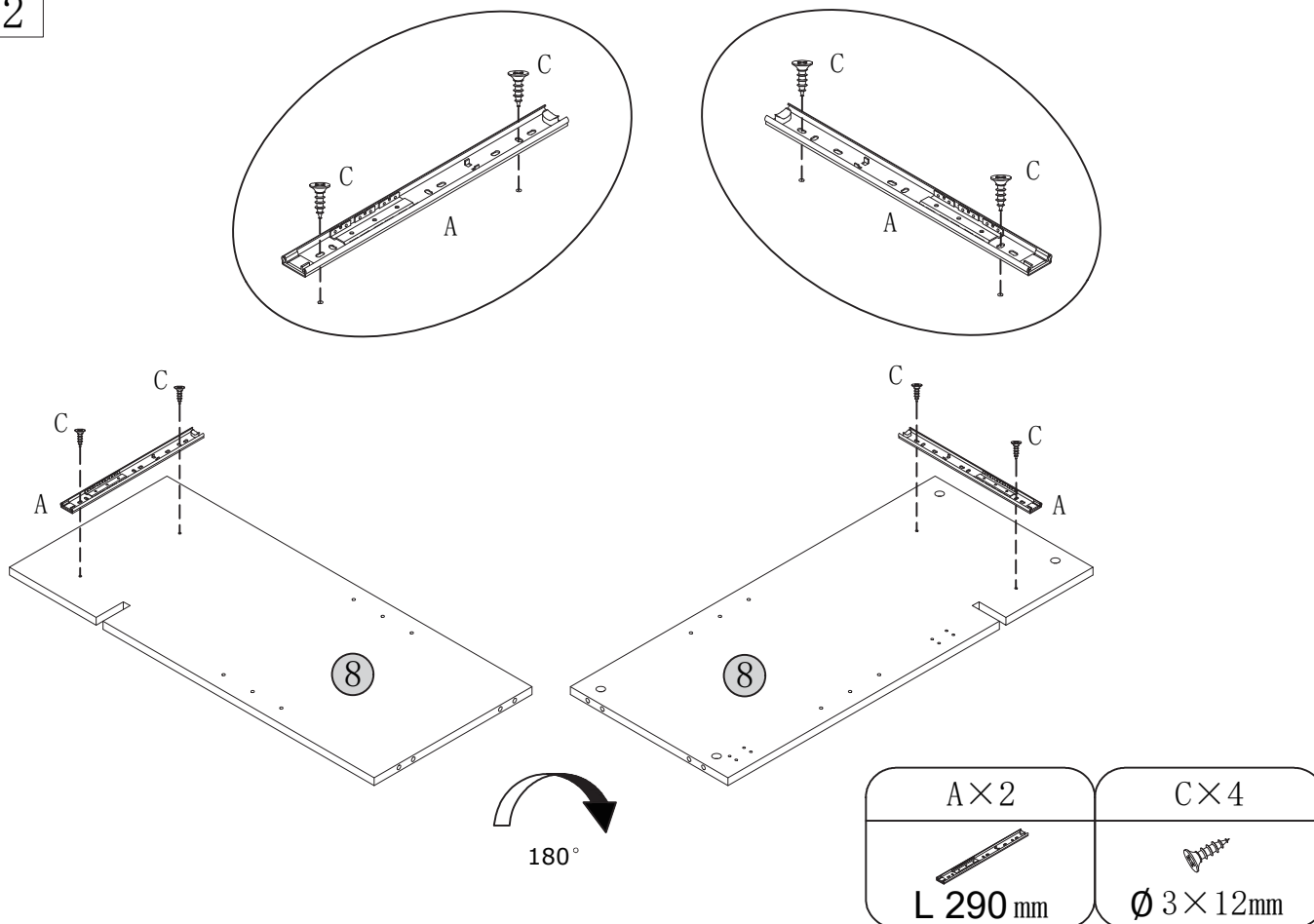
T×2



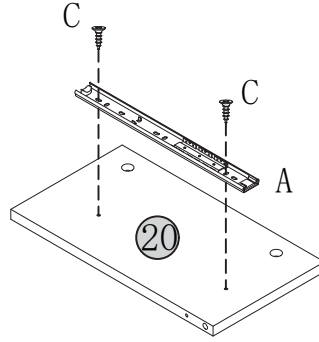
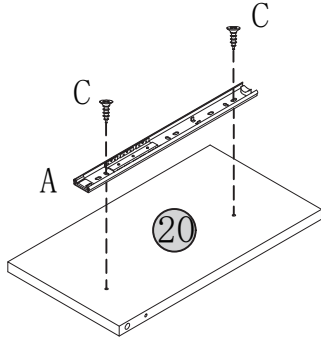
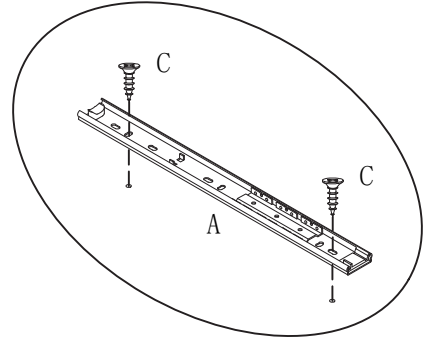
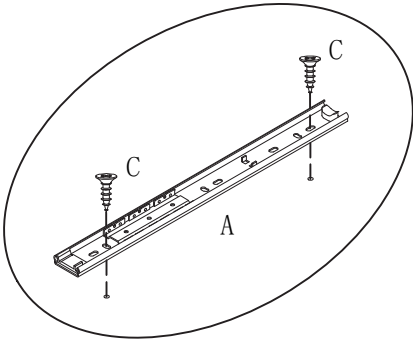
1



2



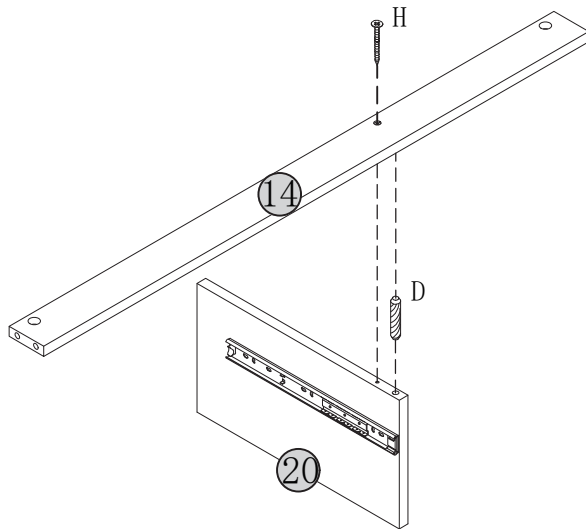
3



180°

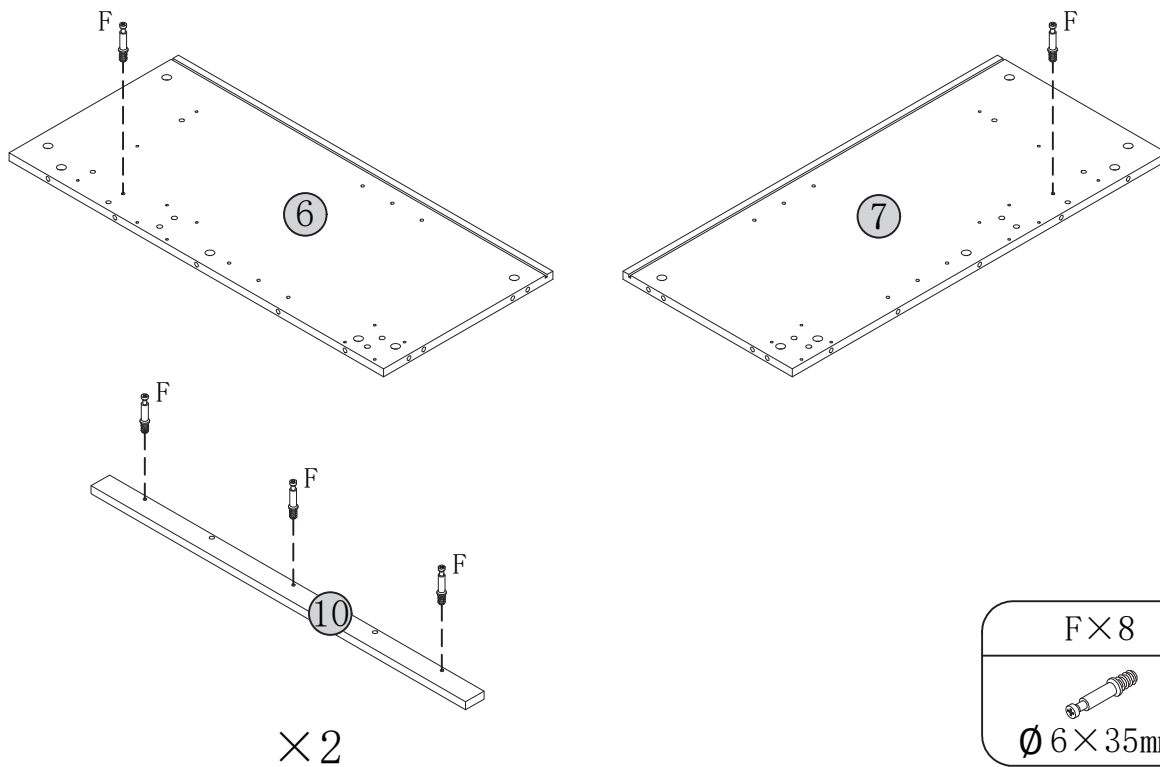
A × 2	C × 4
L 290 mm	Ø 3 × 12 mm

4

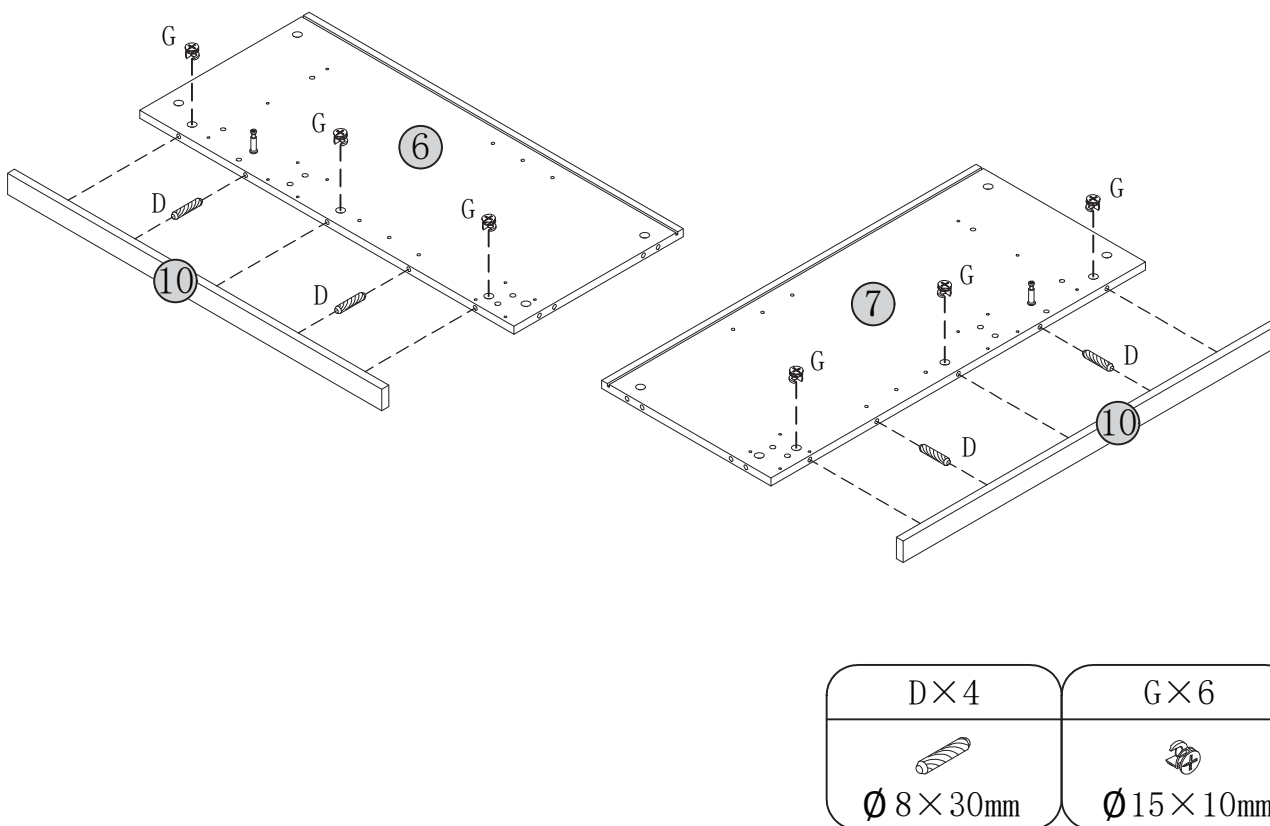


D × 1	H × 1
Ø 8 × 30 mm	Ø 4 × 30 mm

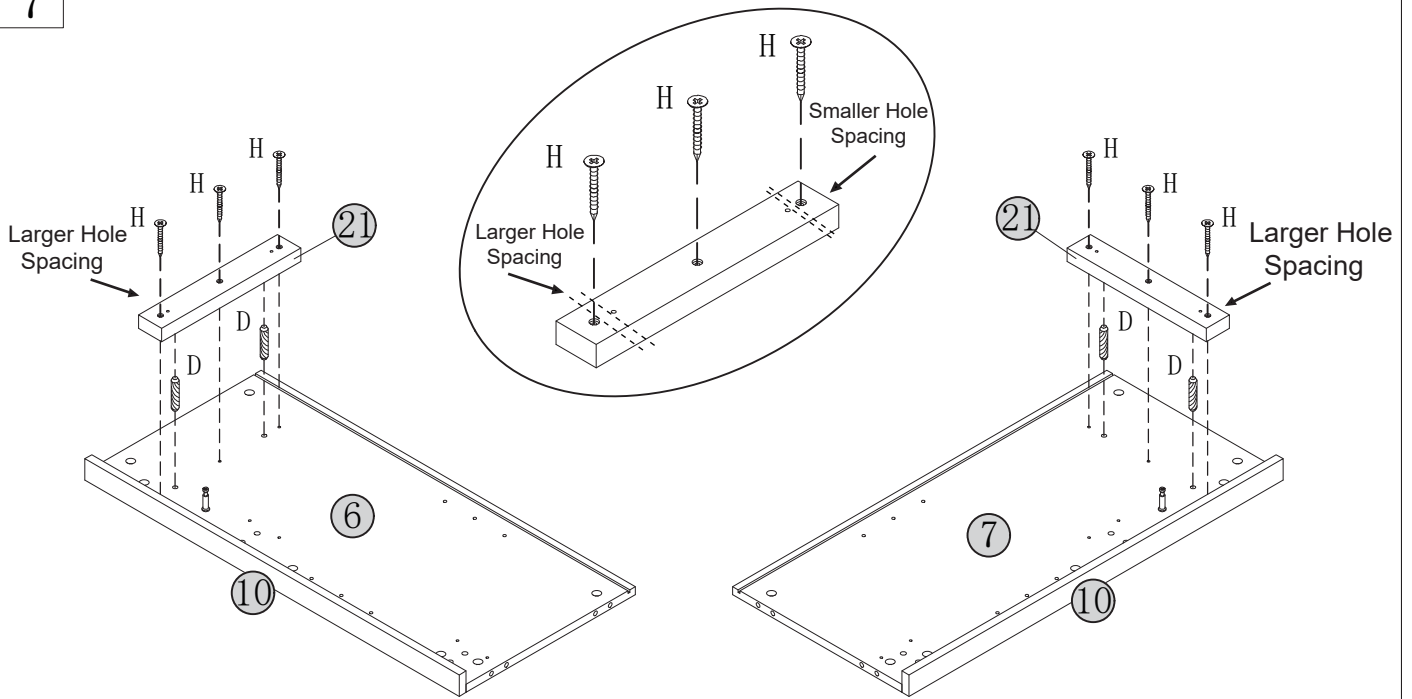
5



6



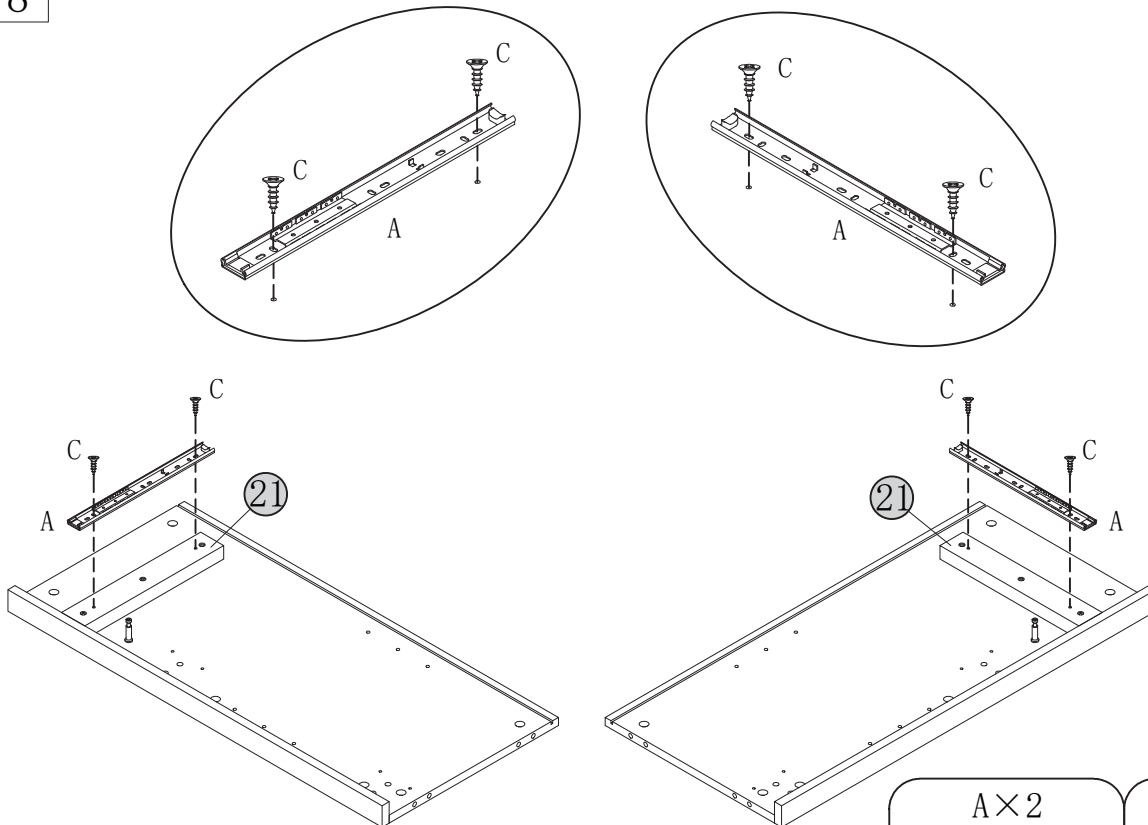
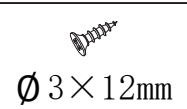
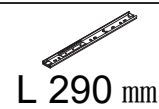
7



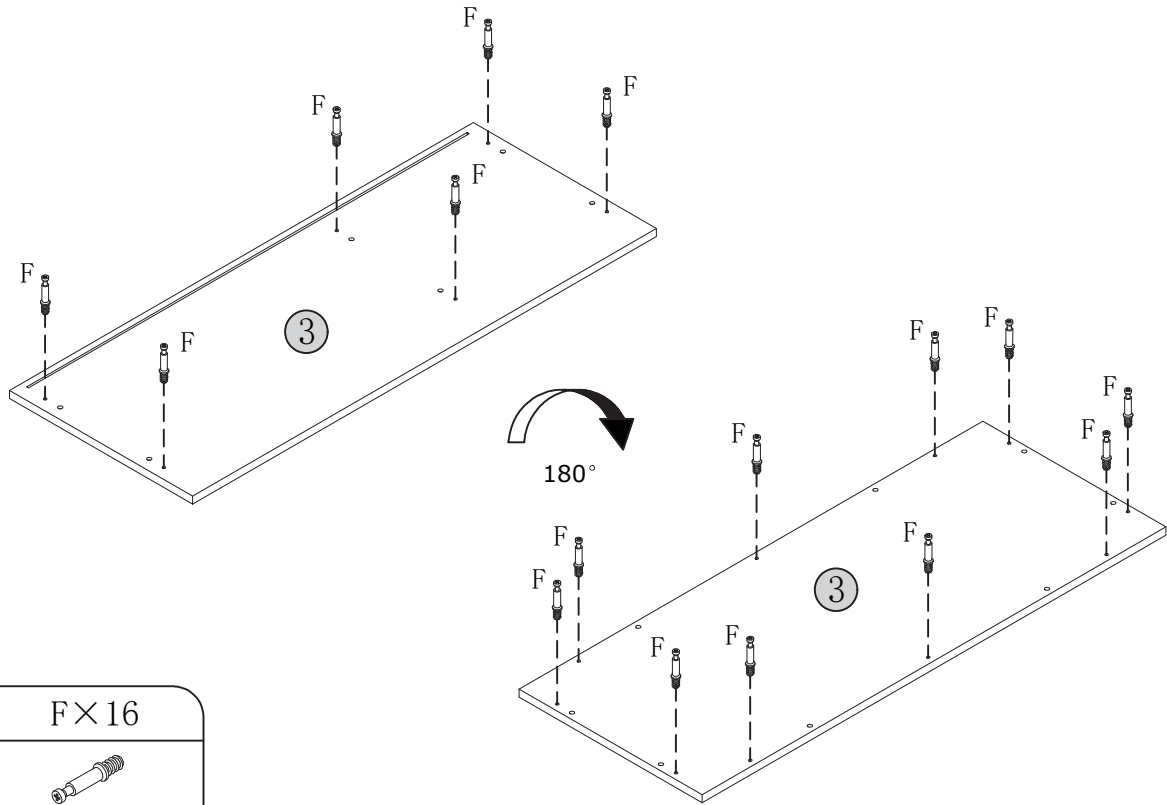
Note: Ensure the side with the larger hole spacing faces Part 10.

 $D \times 4$
 $H \times 6$

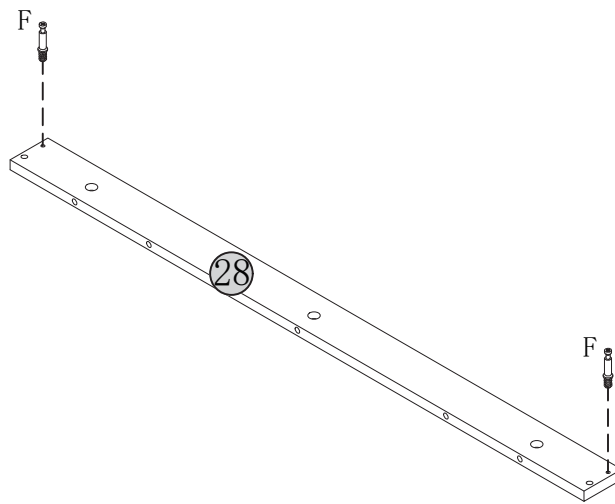

8


 $A \times 2$
 $C \times 4$


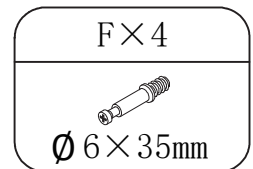
9



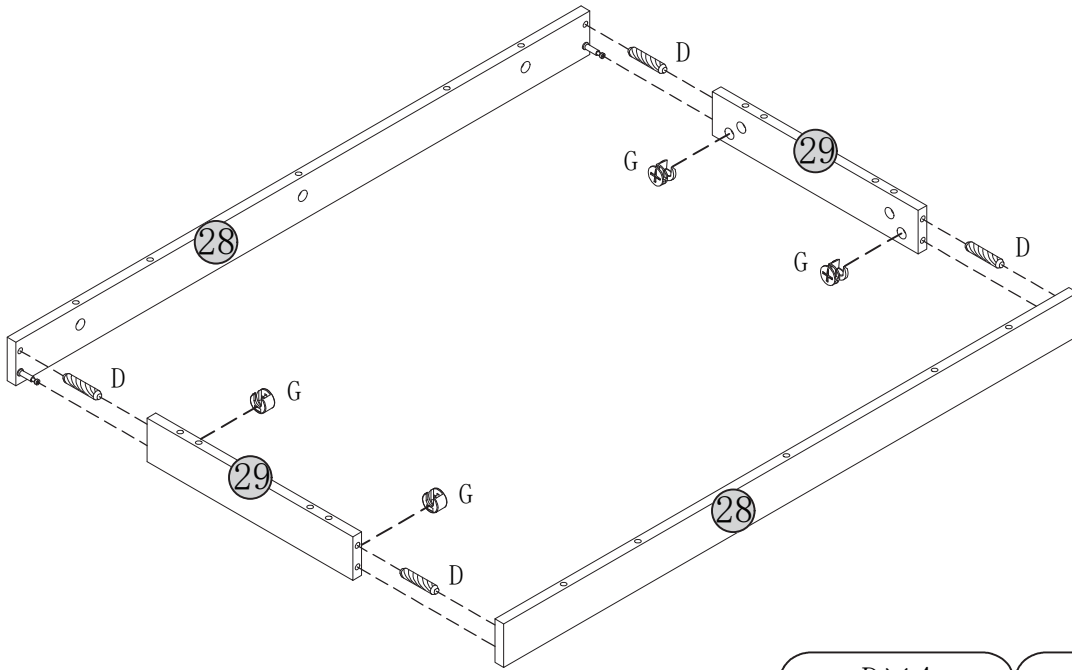
10





× 2

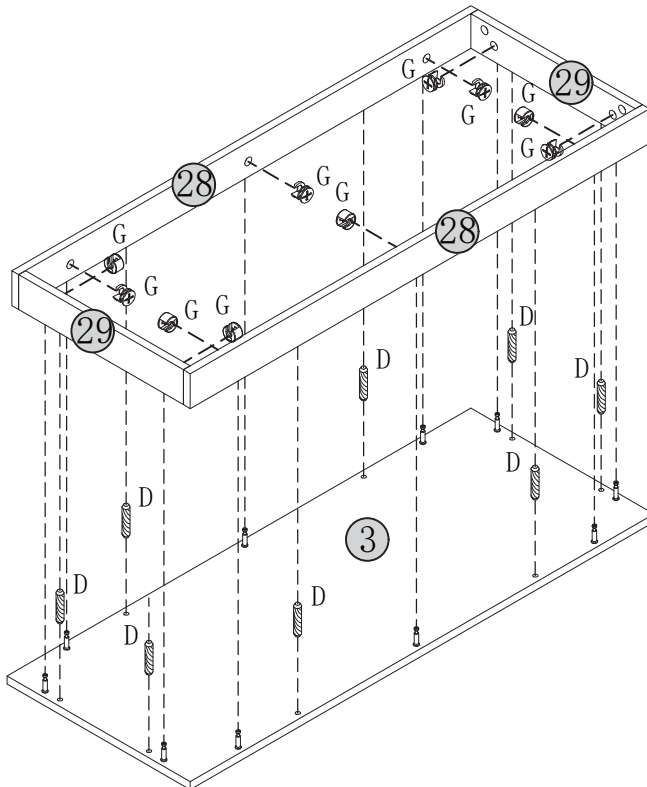




11



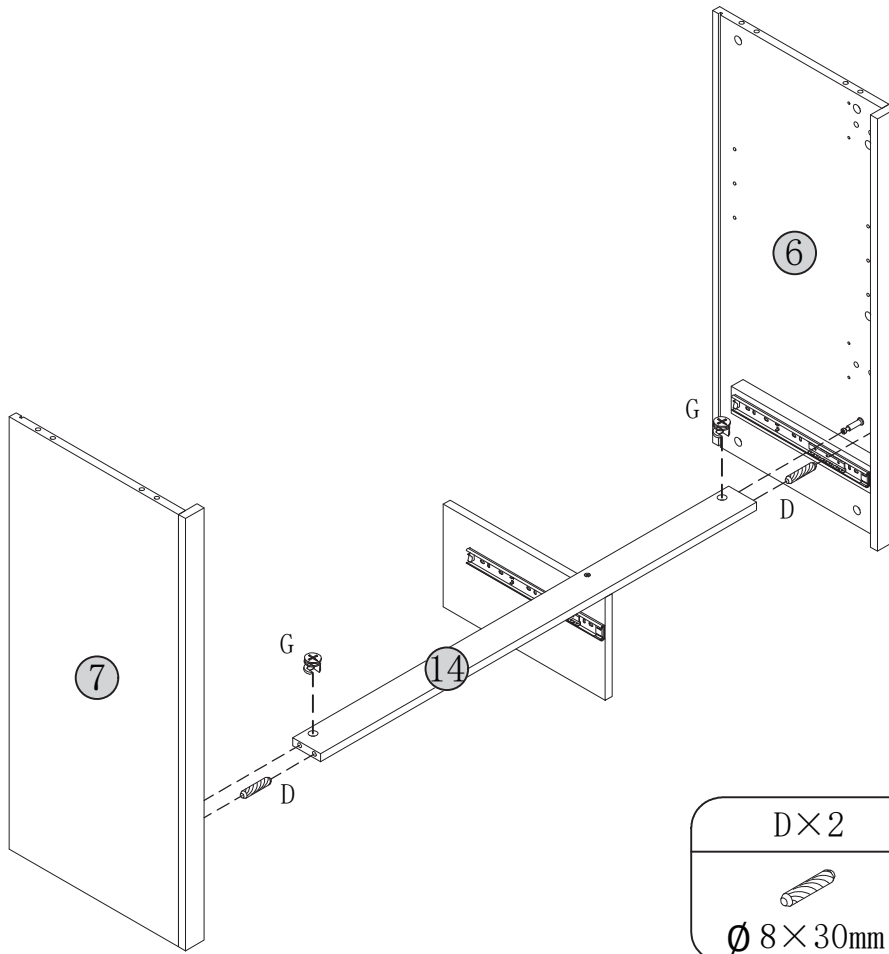
D×4	G×4
	
Ø 8×30mm	Ø 15×10mm



12



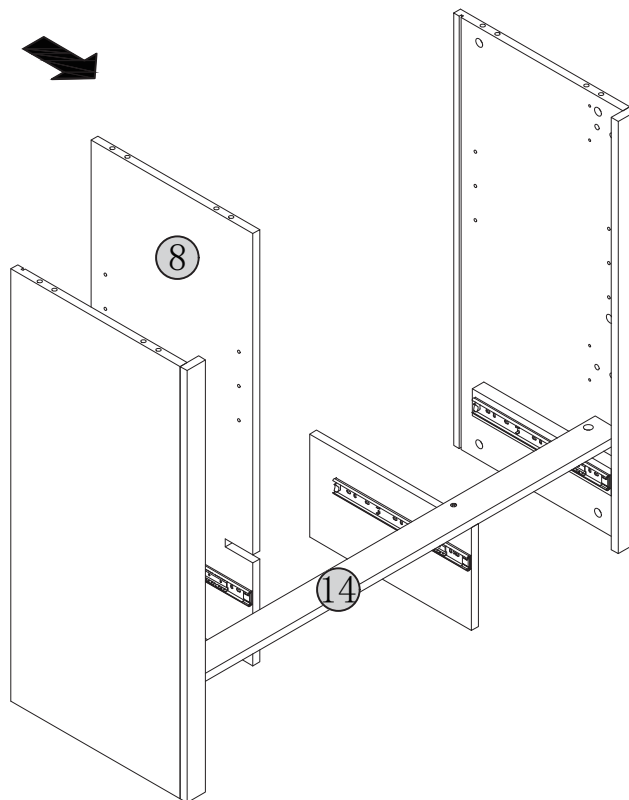
D×8	G×10
	
Ø 8×30mm	Ø 15×10mm

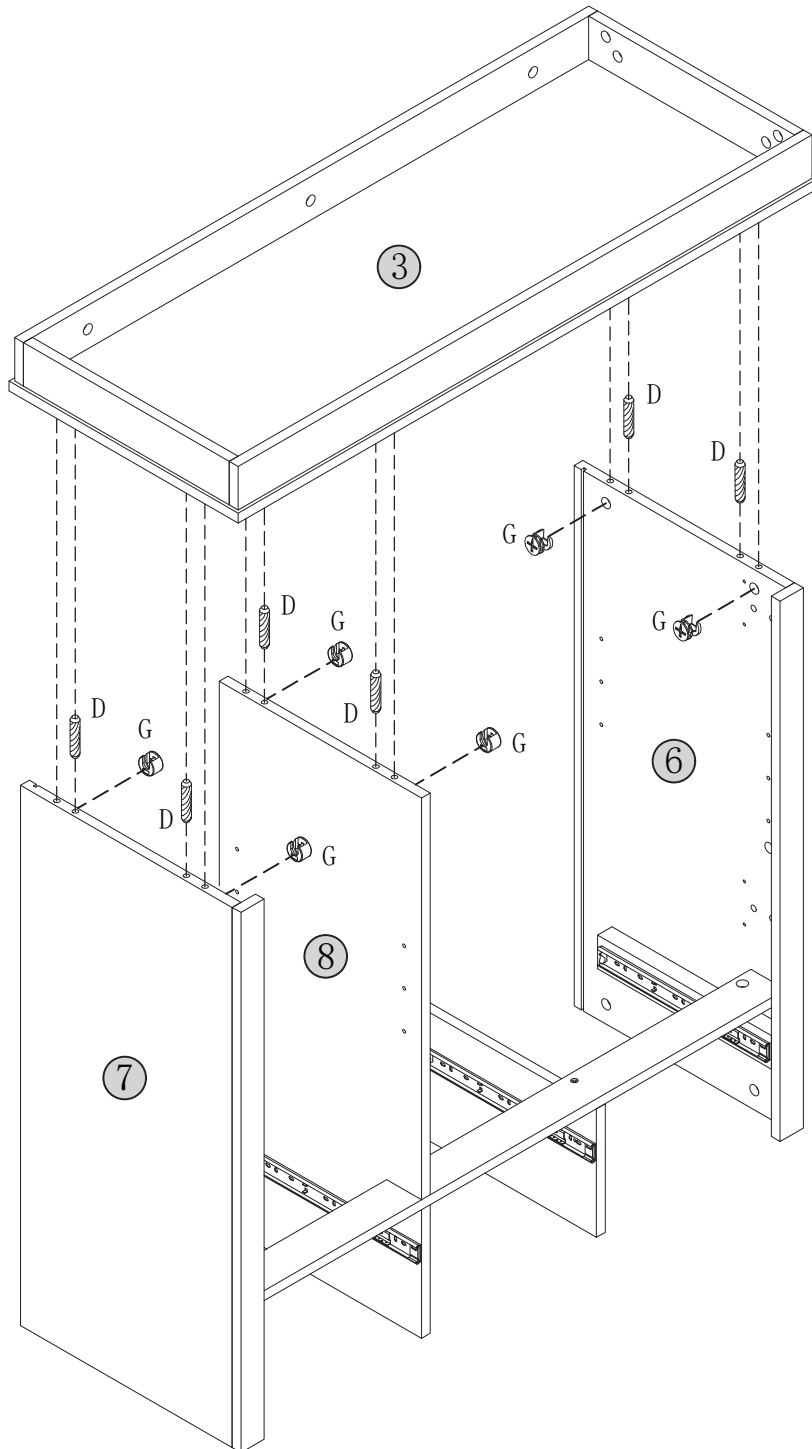
13





D×2	G×2
	
Ø 8×30mm	Ø 15×10mm

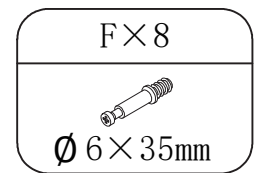
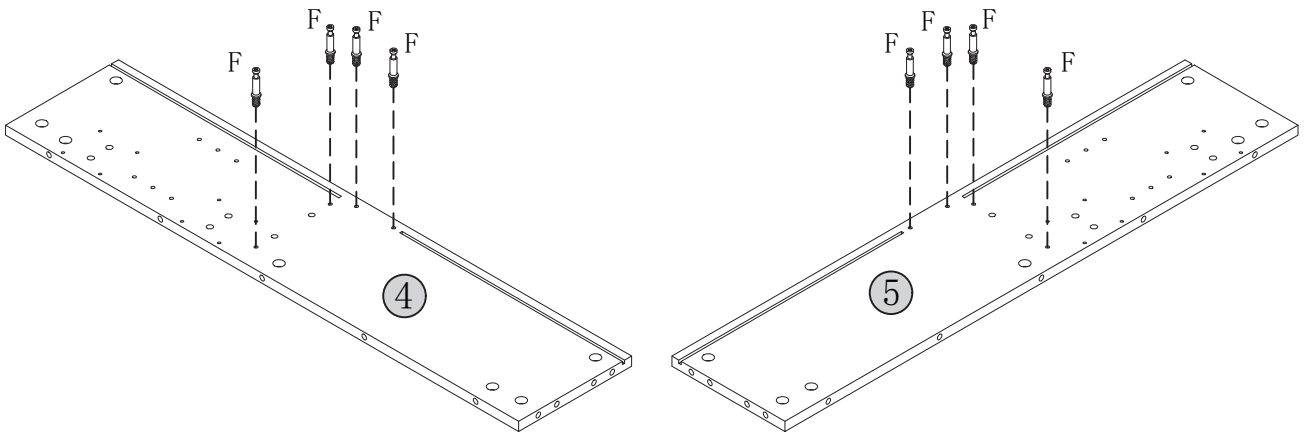
14



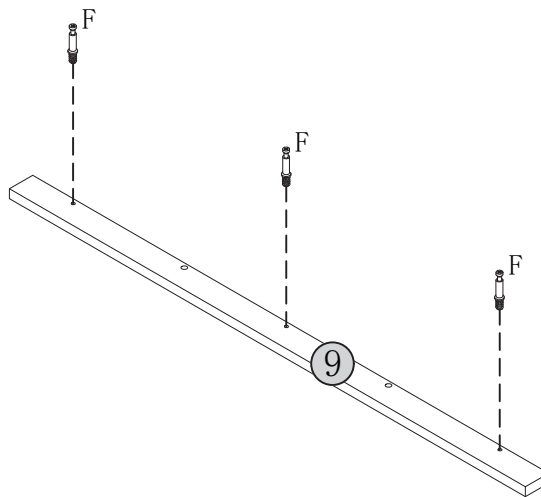


D×6	G×6
	
Ø 8×30mm	Ø 15×10mm

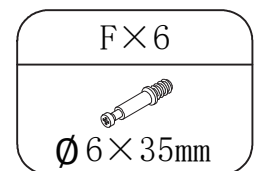
16



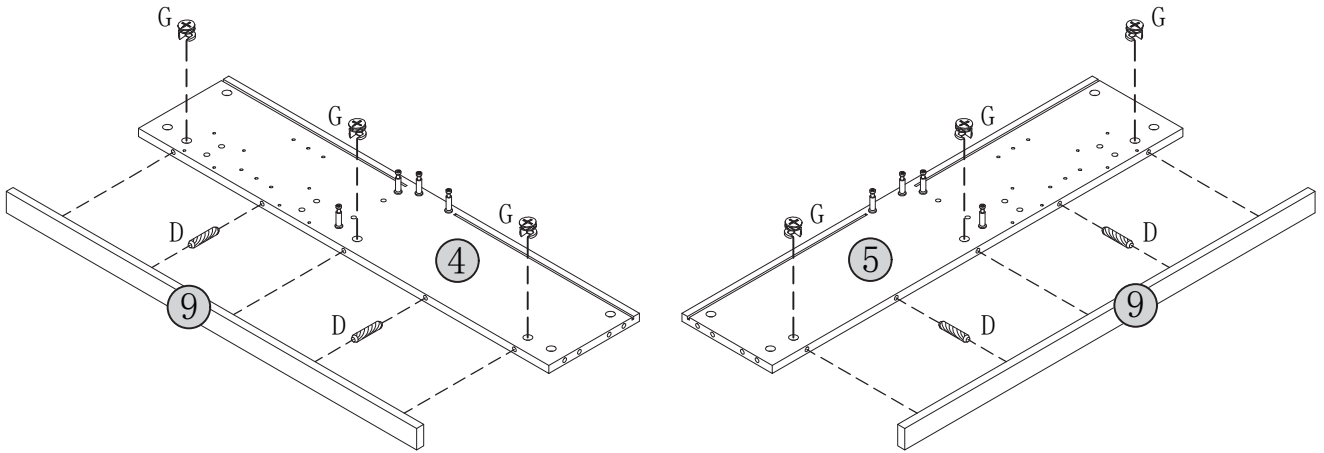
17





× 2

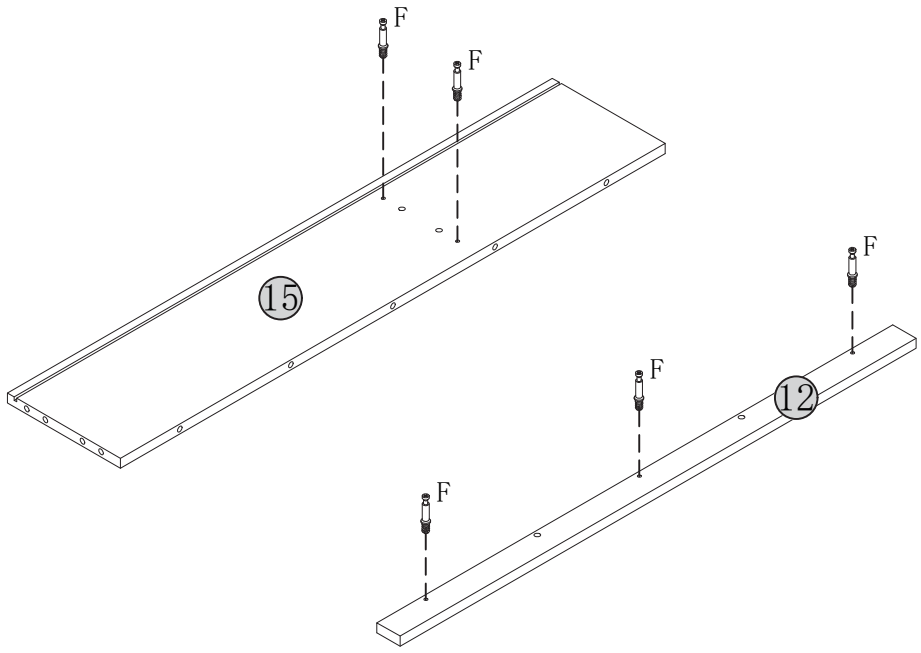



18



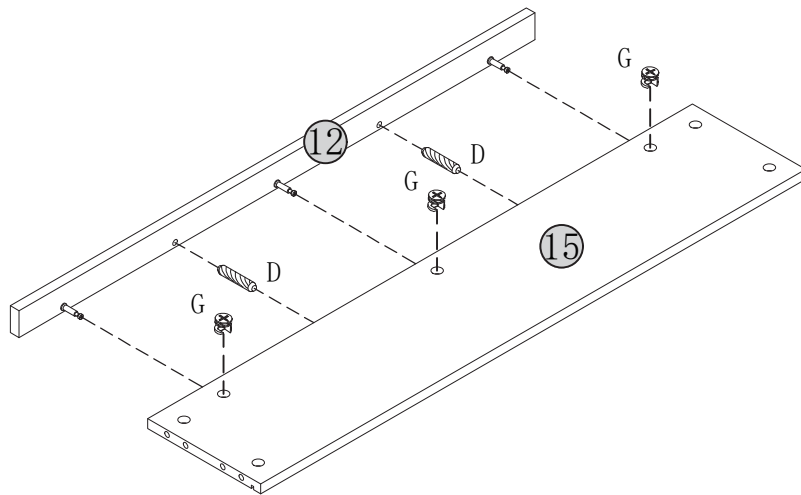
D × 4	G × 6
	
Ø 8 × 30mm	Ø 15 × 10mm



19



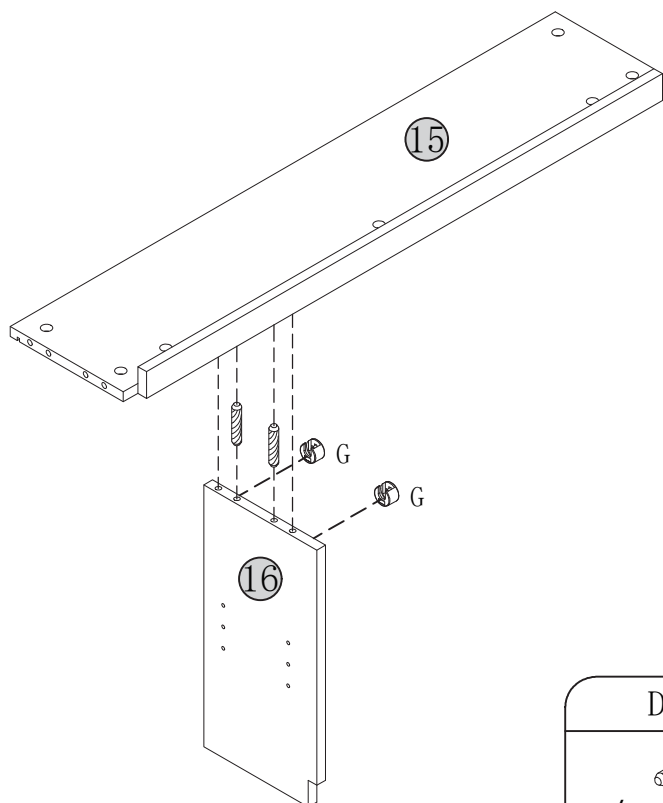
F × 5

Ø 6 × 35mm



20



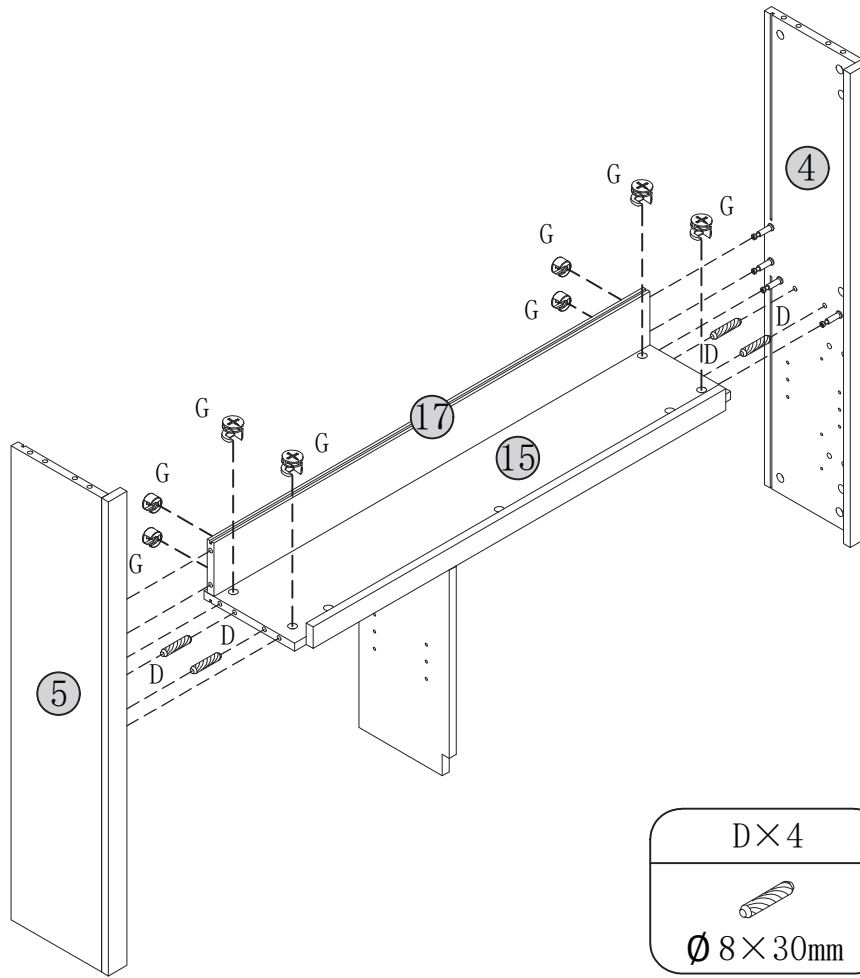
D×2	G×3
	
Ø 8×30mm	Ø 15×10mm



21



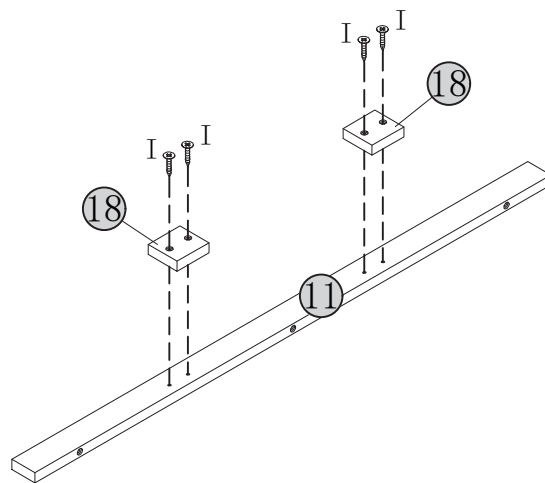
D×2	G×2
	
Ø 8×30mm	Ø 15×10mm


22



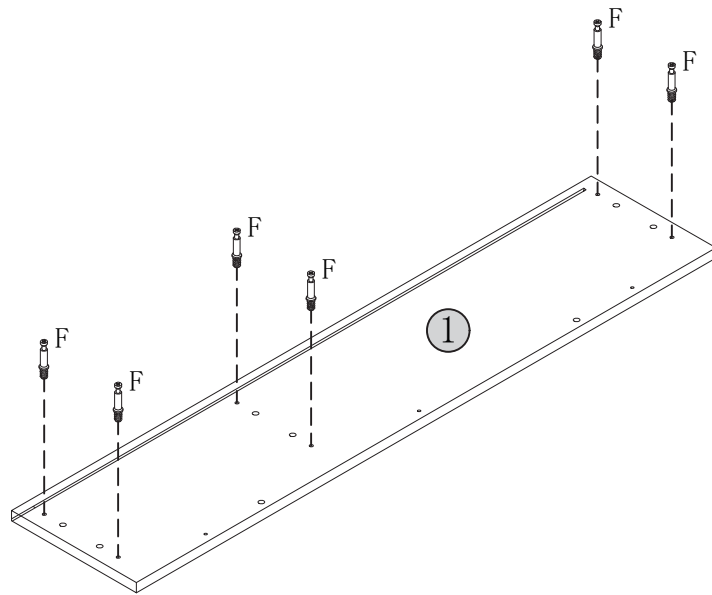
D×4	G×8
	
Ø 8×30mm	Ø 15×10mm


23



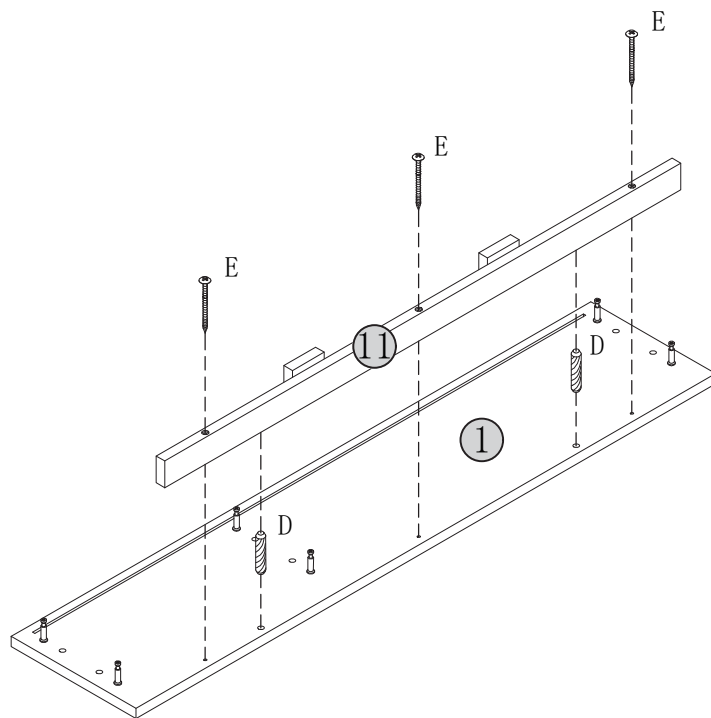
I×4

Ø 4×20mm



24



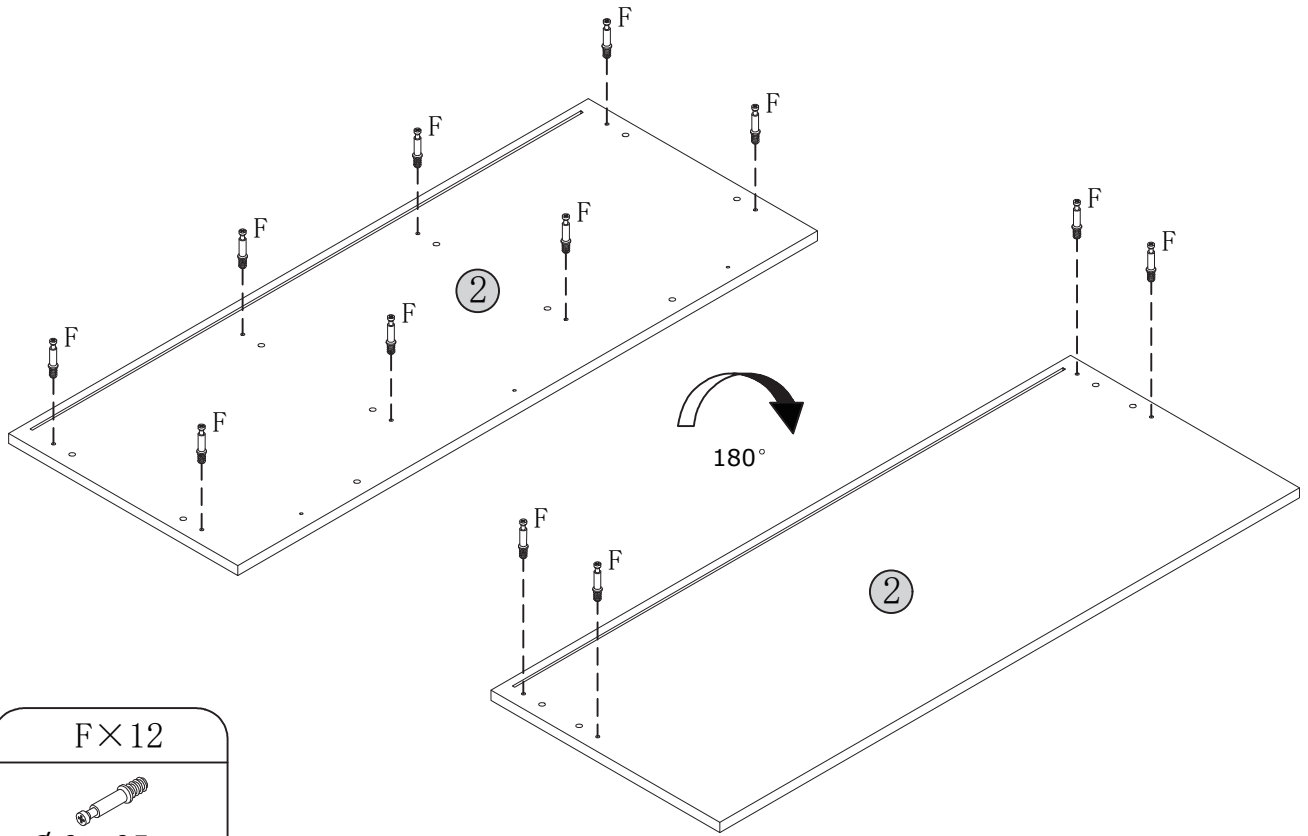
F × 6

Ø 6 × 35mm

25

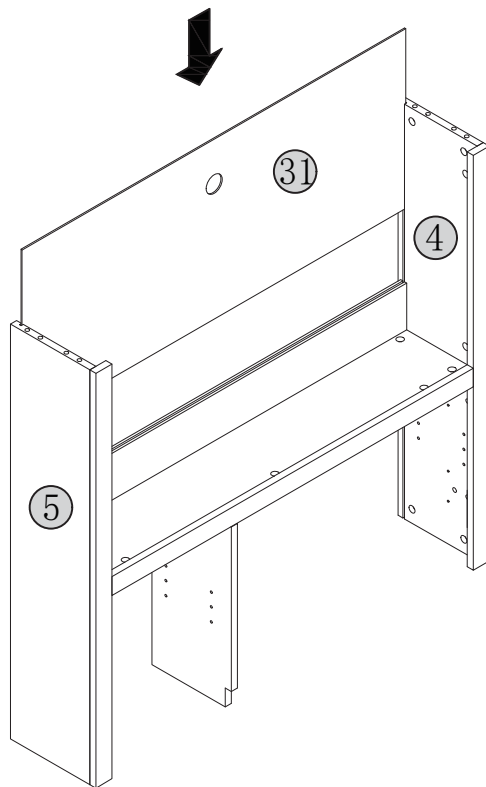


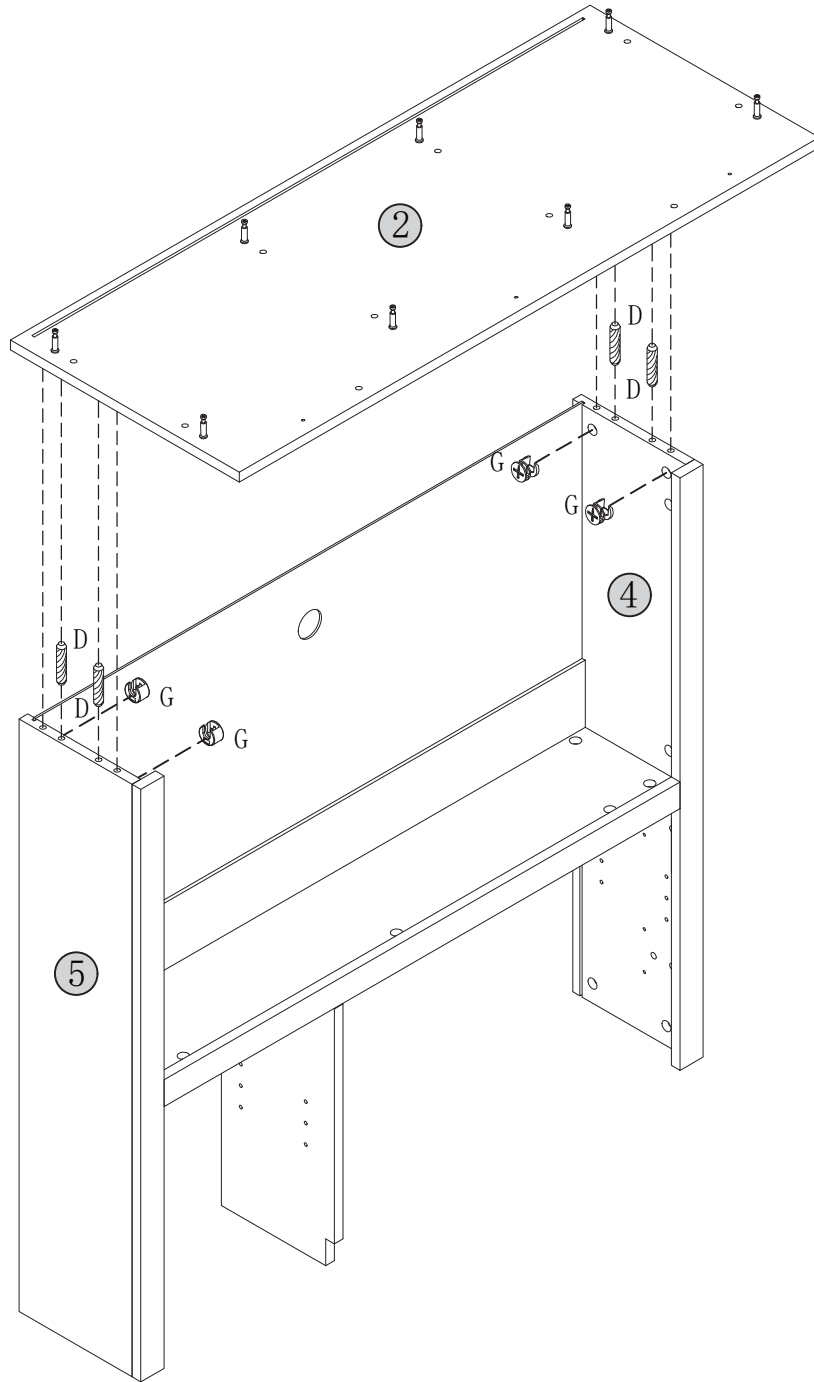
D × 2	E × 3
	
Ø 8 × 30mm	Ø 4 × 40mm



26

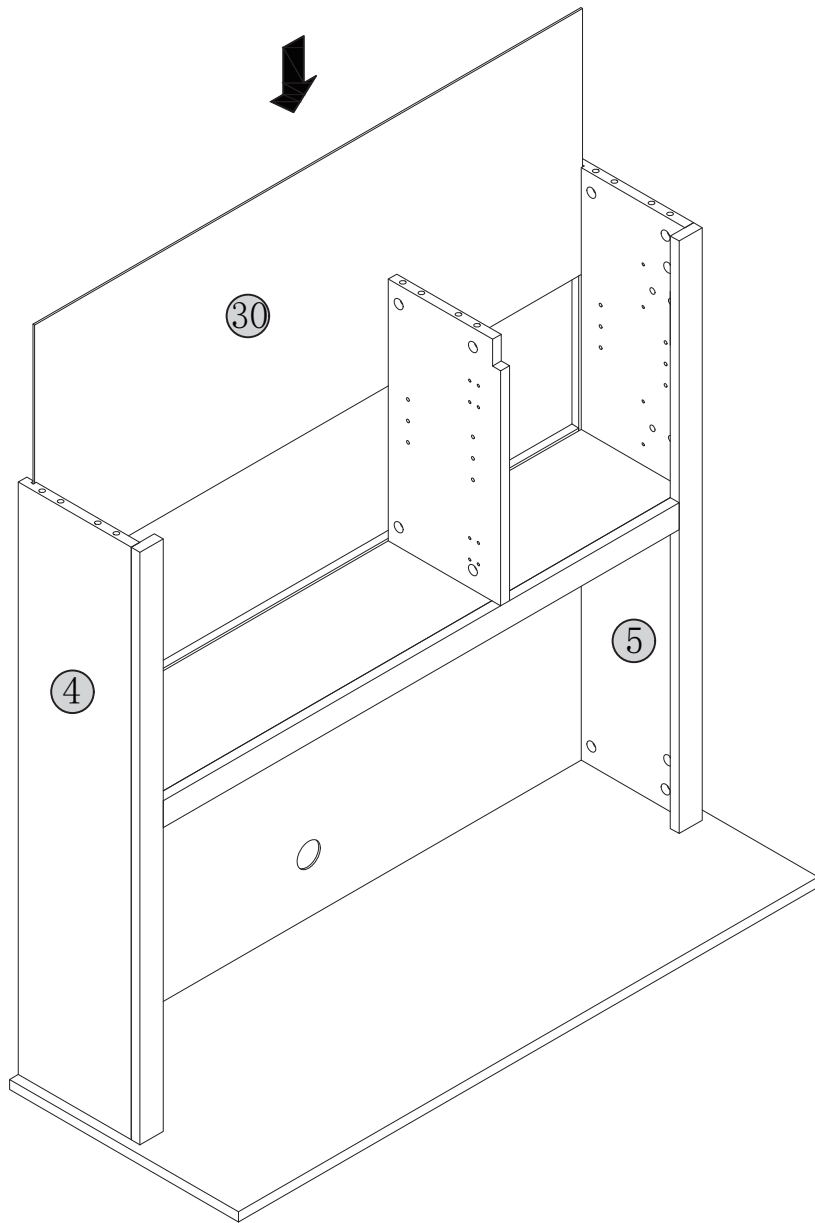


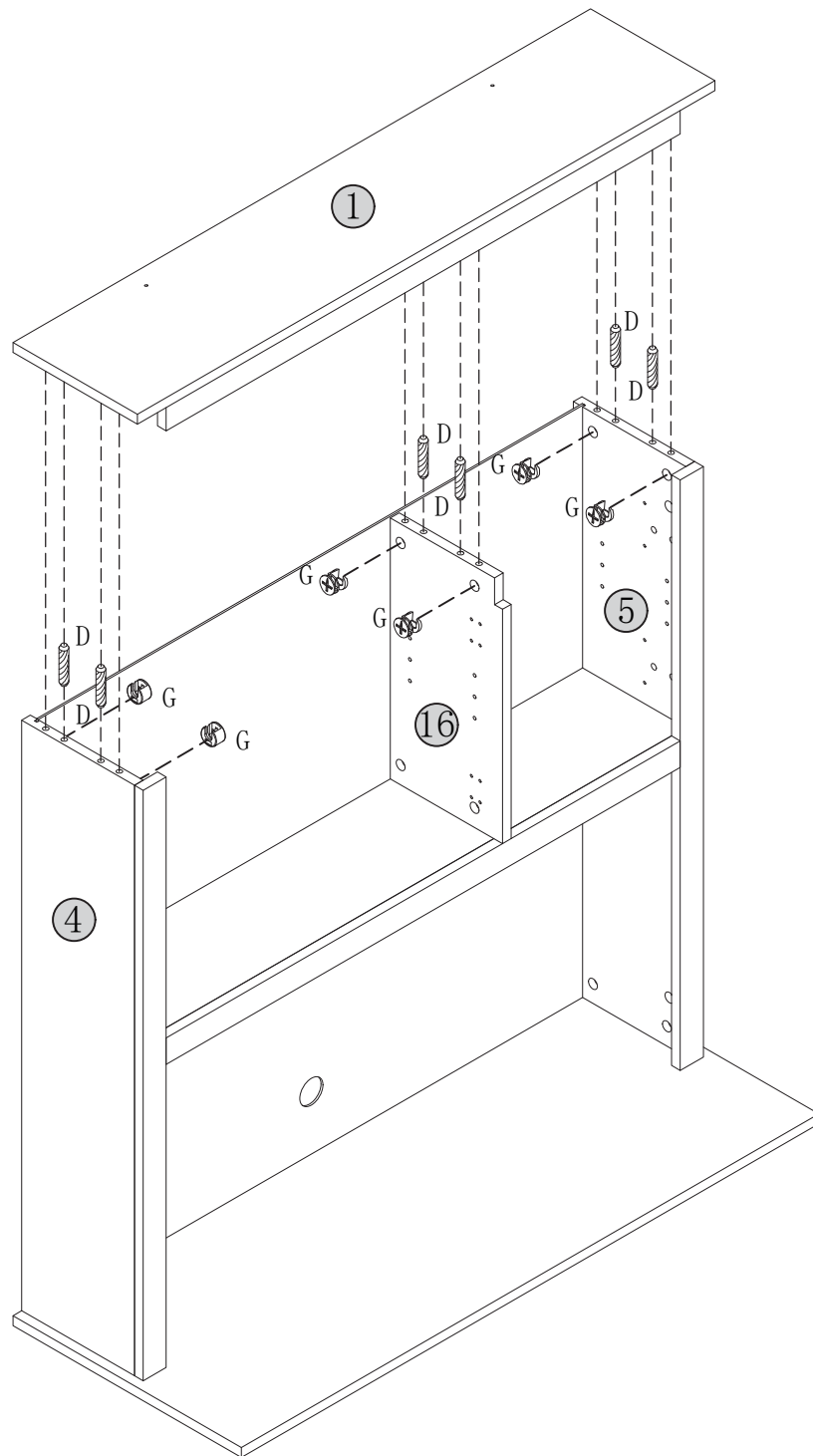
27





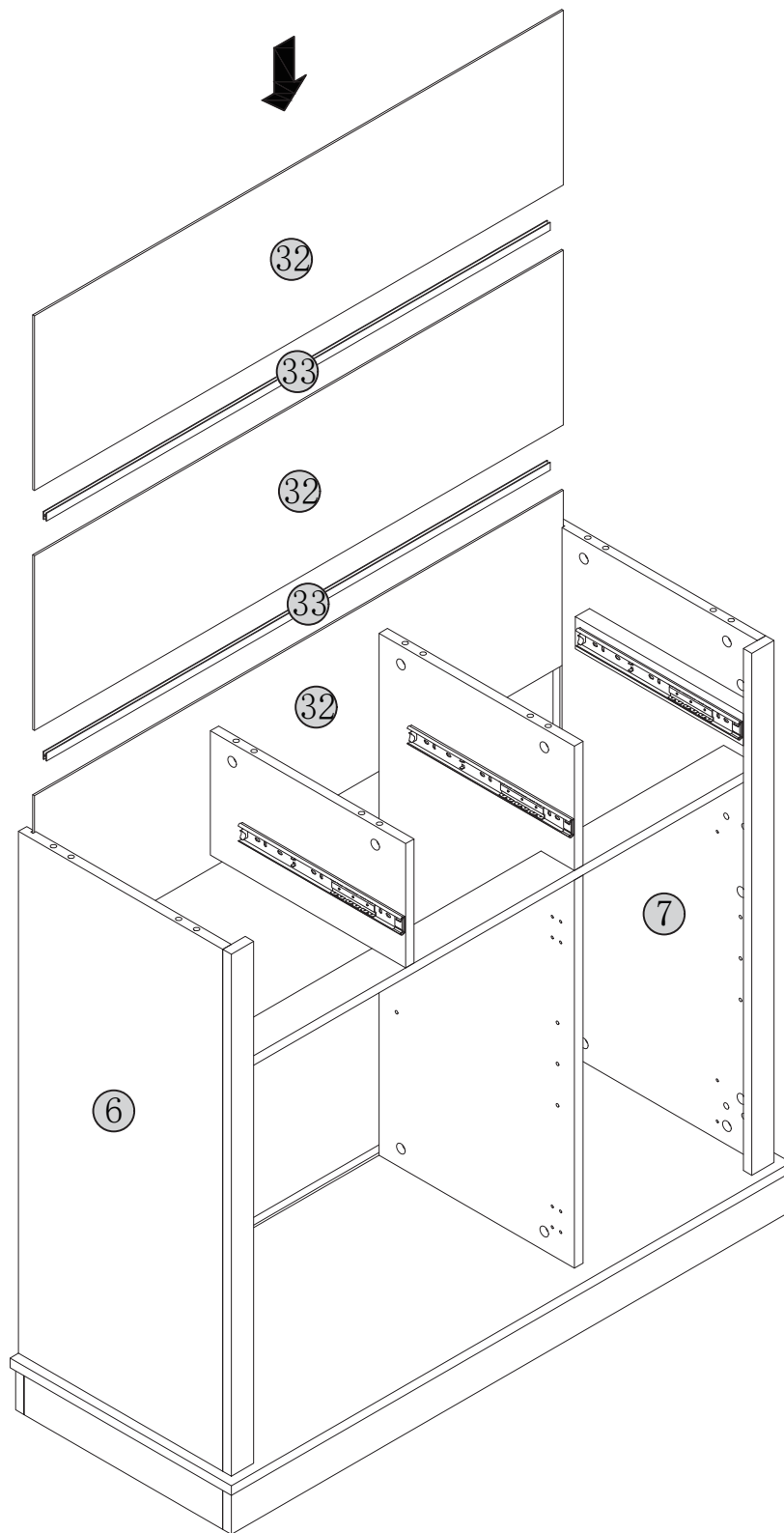


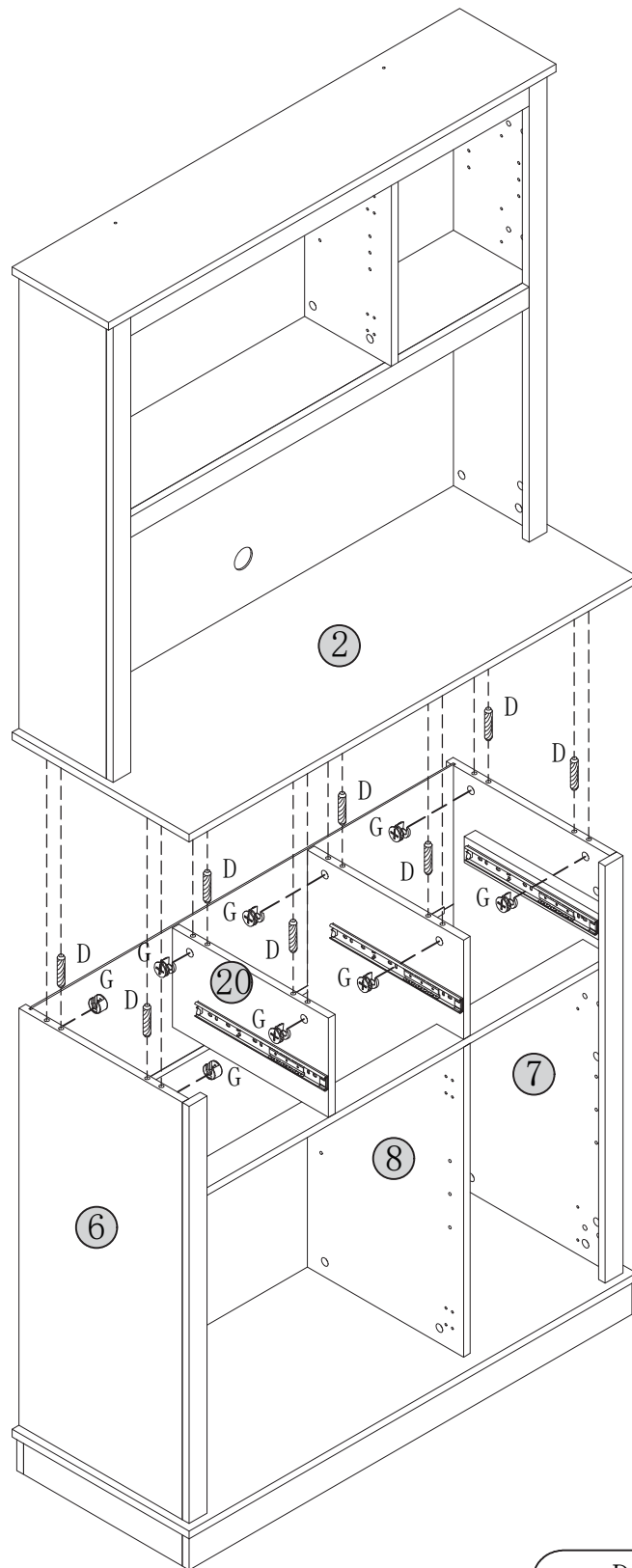
D×4	G×4
	
Ø 8×30mm	Ø 15×10mm





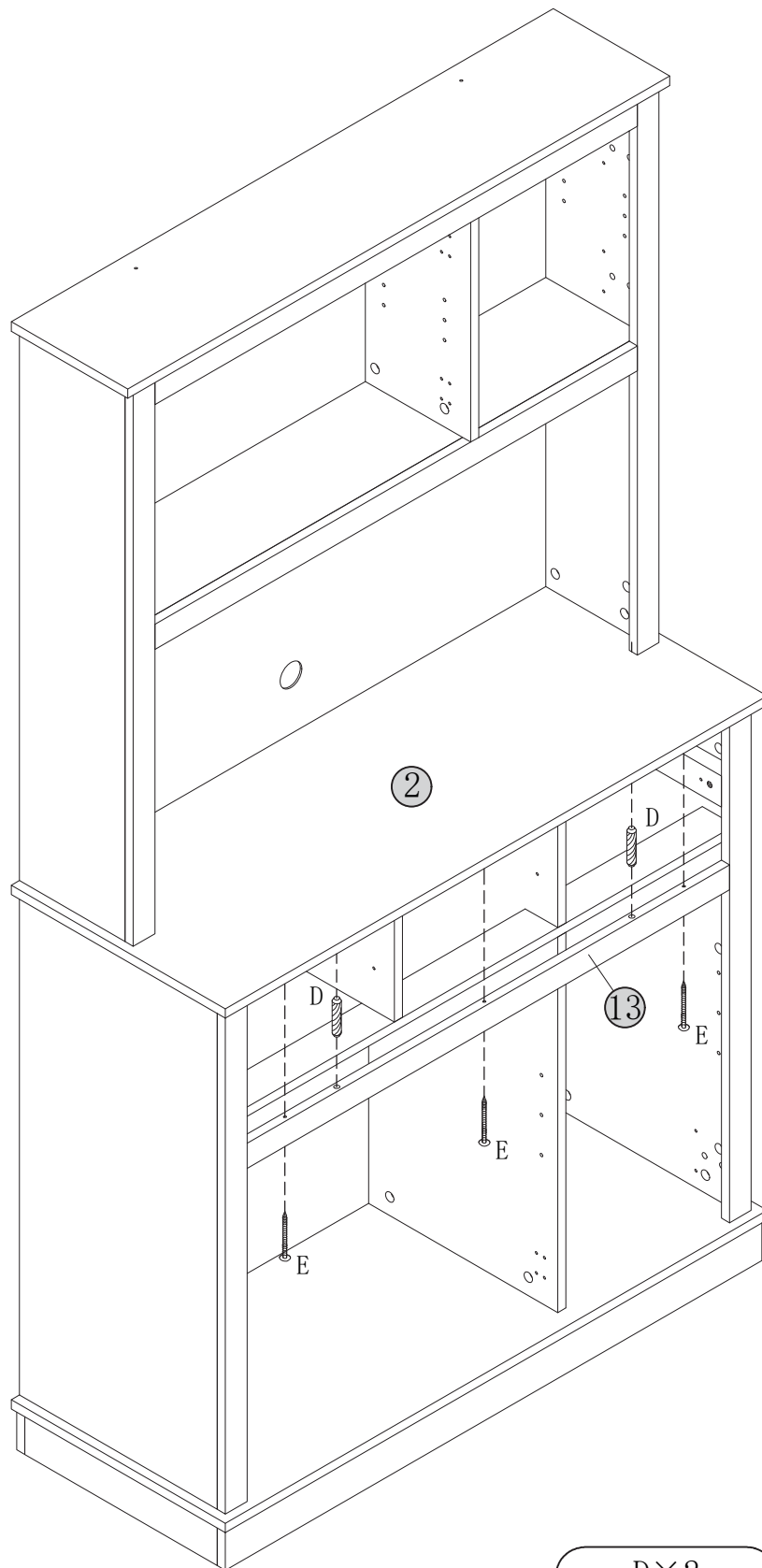




D×6	G×6
	
Ø 8×30mm	Ø 15×10mm

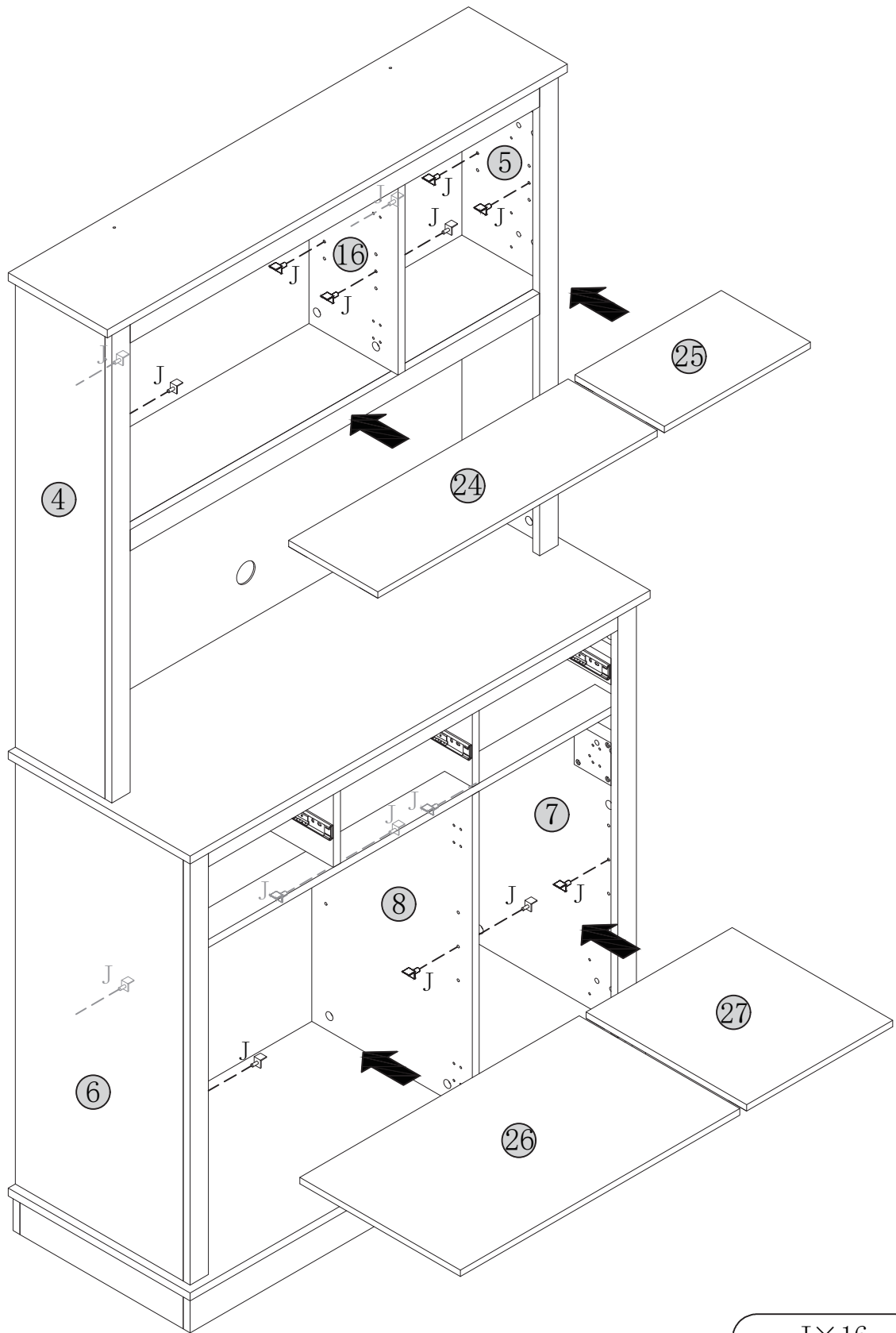





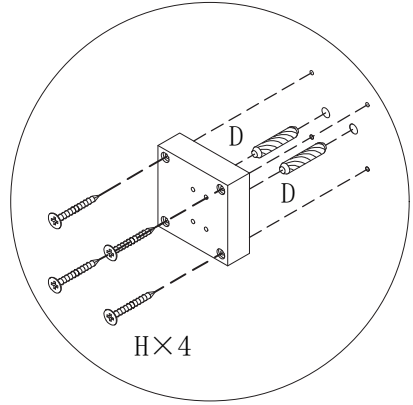
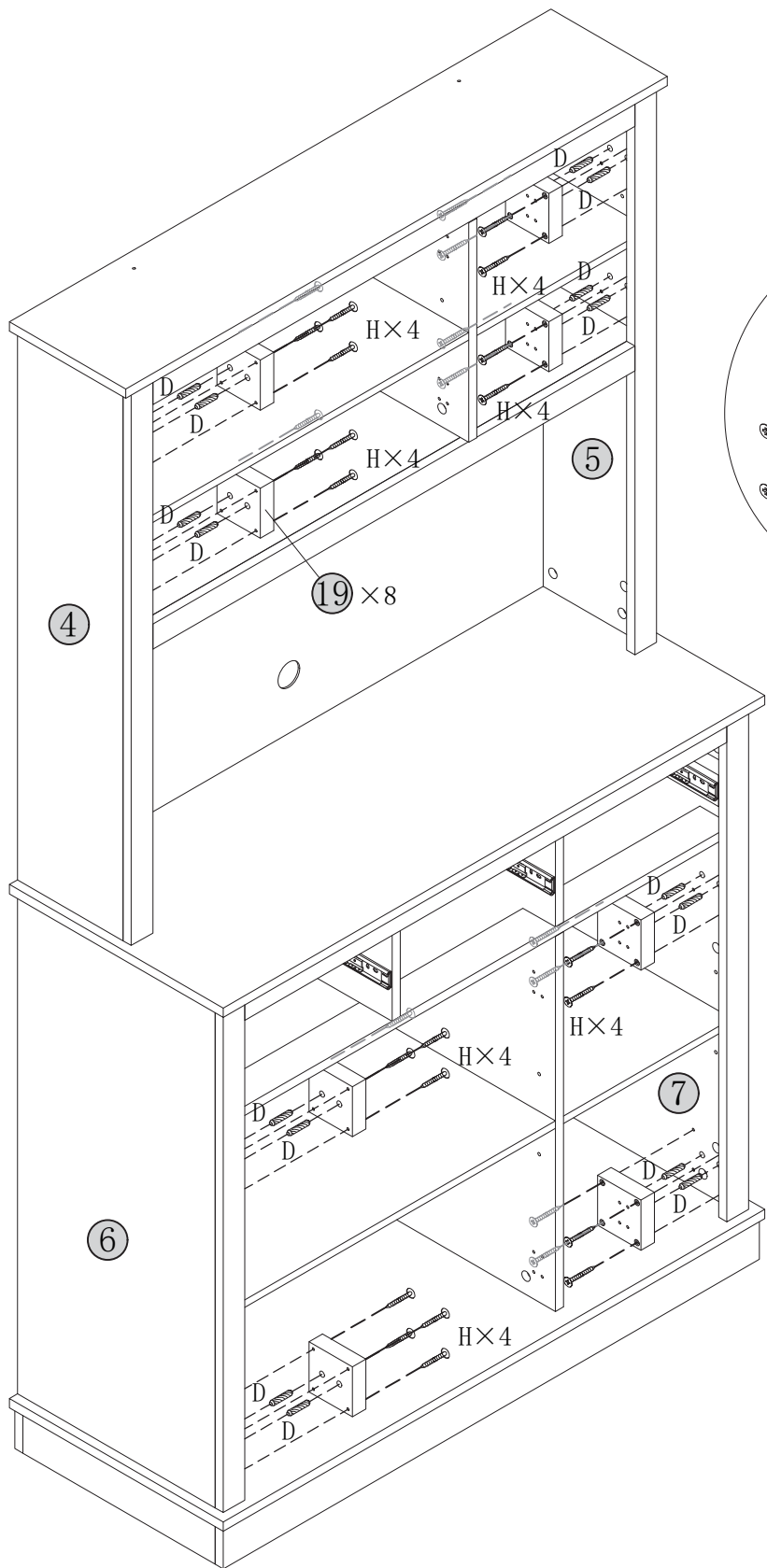
D×8	G×8
	
Ø8×30mm	Ø15×10mm





D × 2	E × 3
	
Ø 8 × 30mm	Ø 4 × 40mm

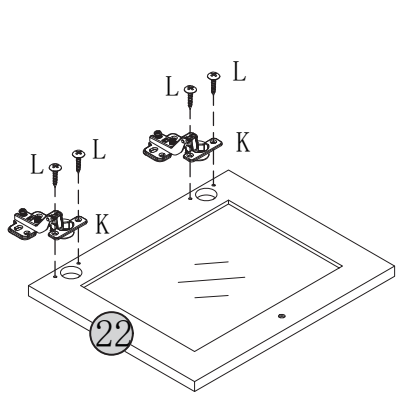


J × 16


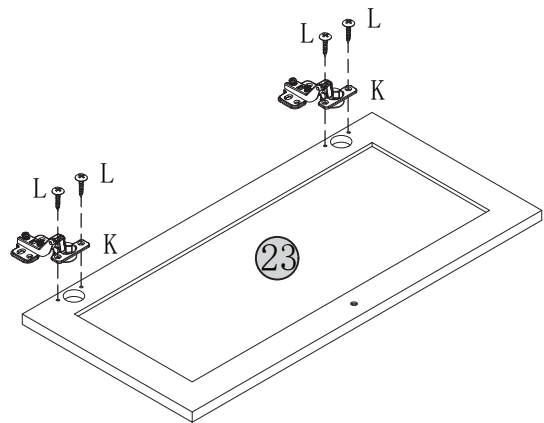


$D \times 16$	$H \times 32$
	
$\varnothing 8 \times 30\text{mm}$	$\varnothing 4 \times 30\text{mm}$



36



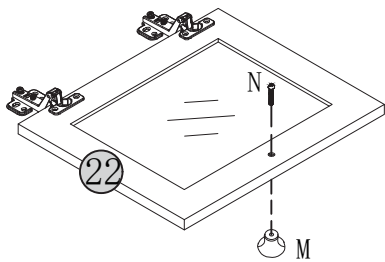
×3



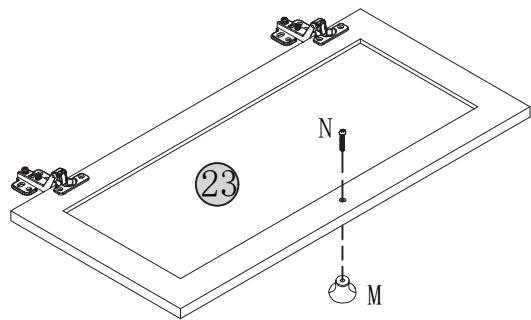
×2

K × 10	L × 20
	
	∅ 4 × 14mm



37

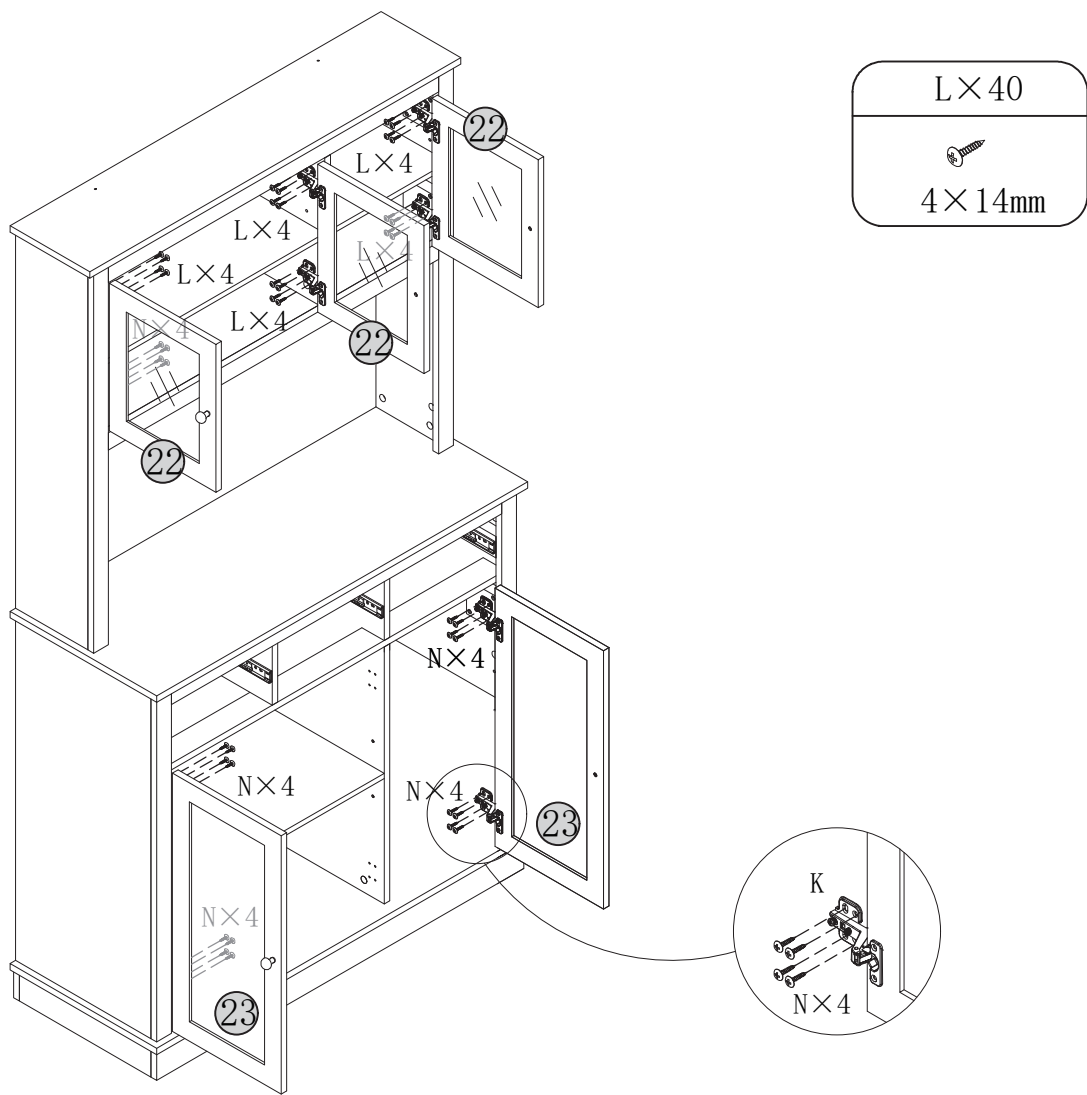


×3

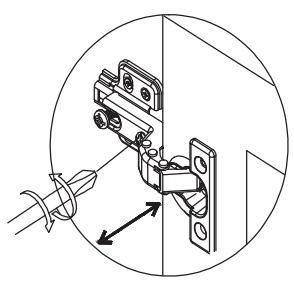


×2

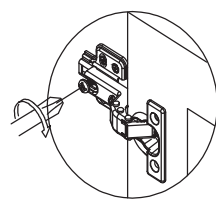
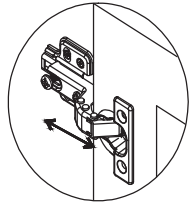
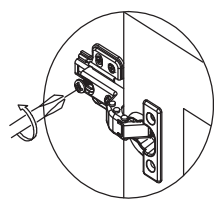
M × 5	N × 5
	
	∅ 4 × 18mm



If the door can't close, please adjust the hinges.

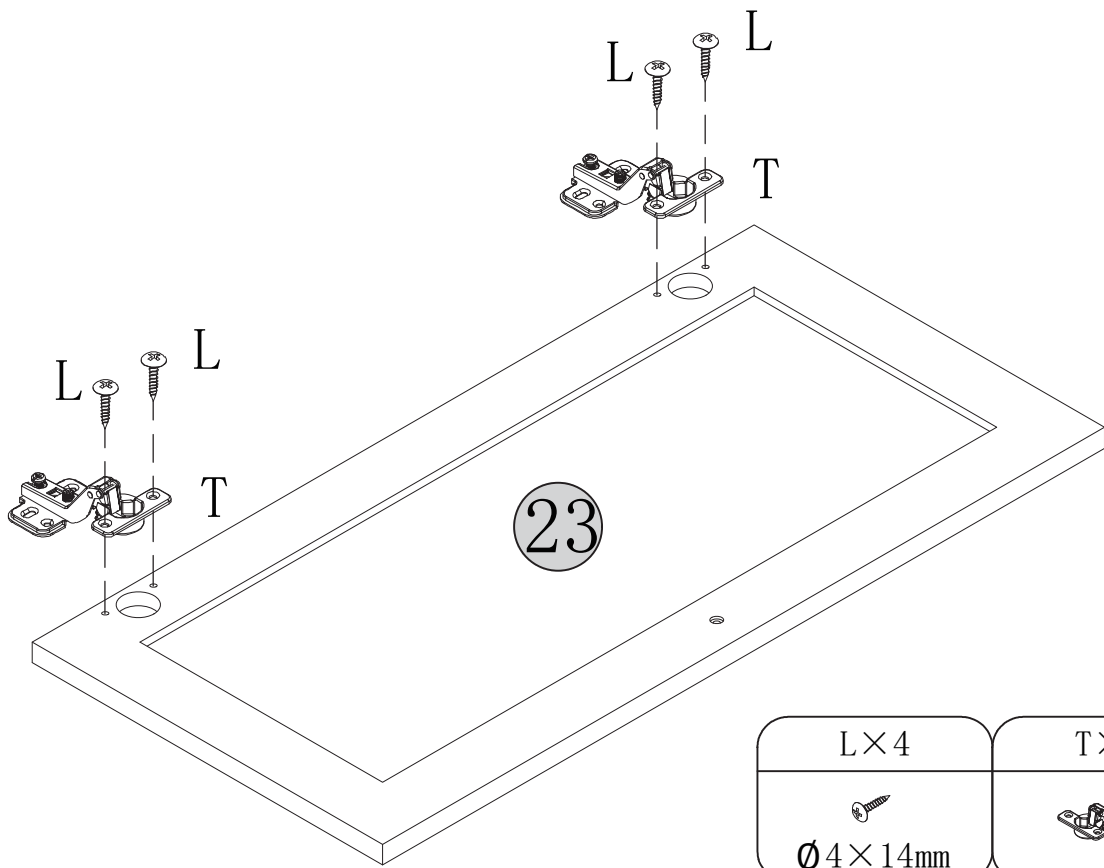




This is used to adjust the door panel in the up and down direction.



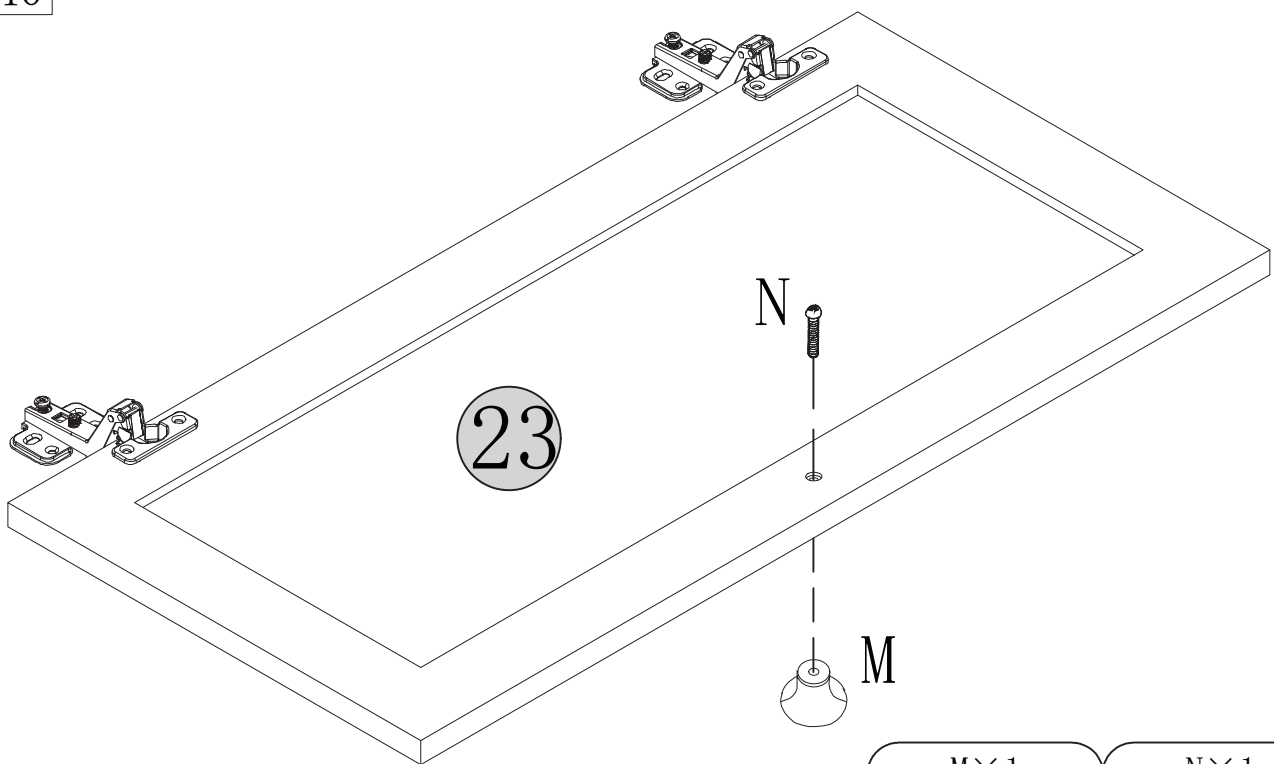
This is used to adjust the door panel in the front and back direction: Loosen the screw first, and then tighten screw after adjusting the door panel to the proper position.



39

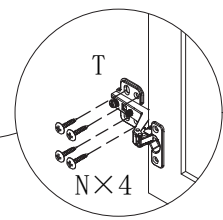
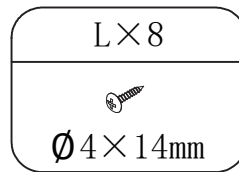
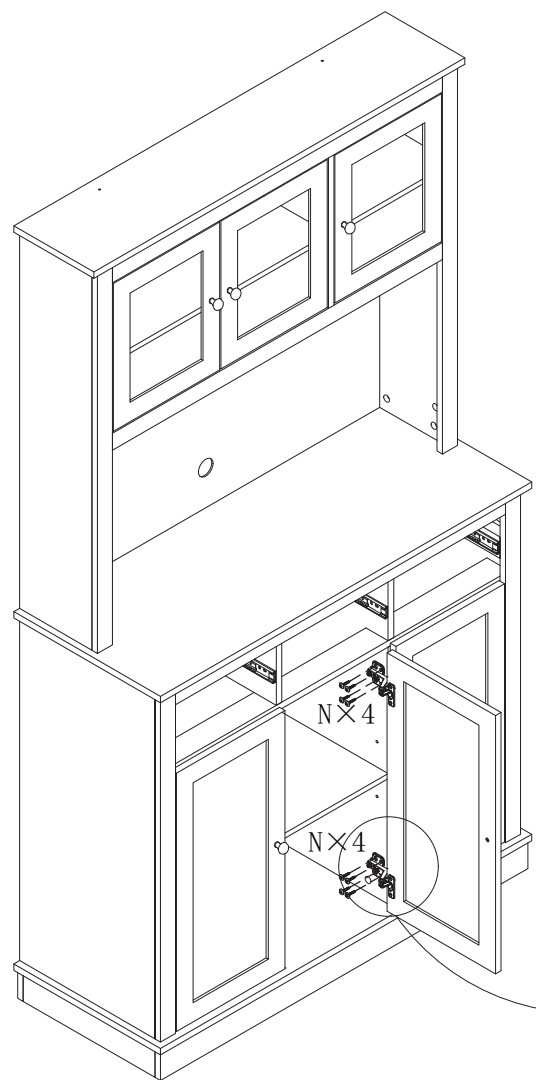


L × 4	T × 2
 Ø 4 × 14mm	

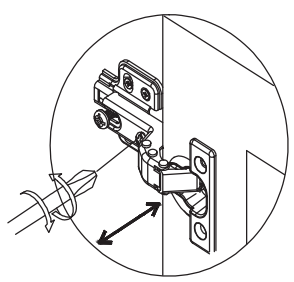
40



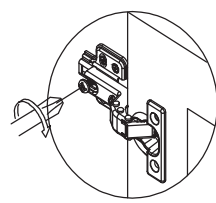
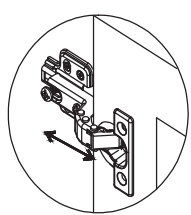
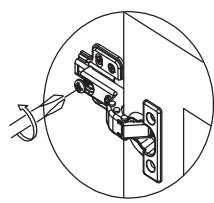
M × 1	N × 1
 Ø 4 × 18mm	



If the door can't close, please adjust the hinges.

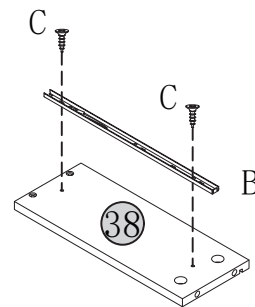
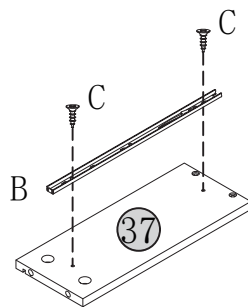
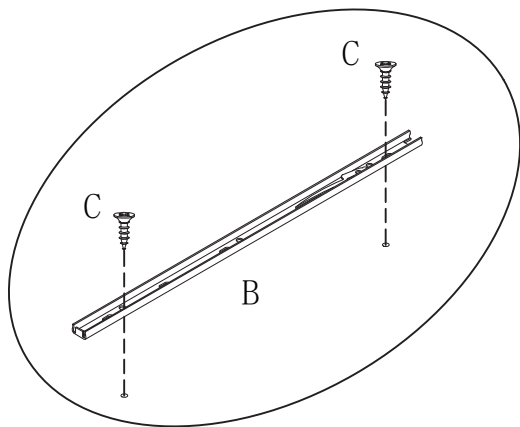




This is used to adjust the door panel in the up and down direction.



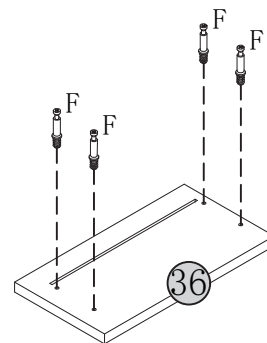
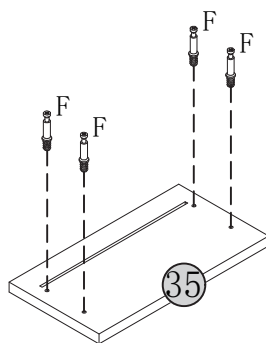
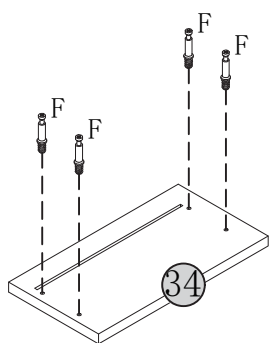
This is used to adjust the door panel in the front and back direction: Loosen the screw first, and then tighten screw after adjusting the door panel to the proper position.


42



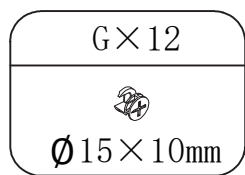
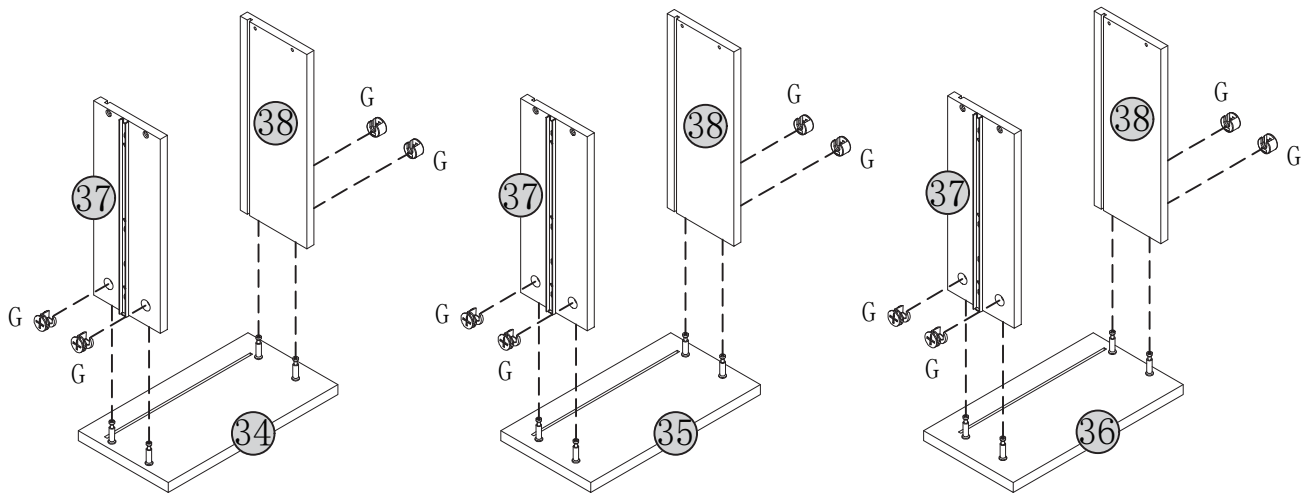
B × 6	C × 12
	
L 290 mm	Ø 3 × 12 mm

43

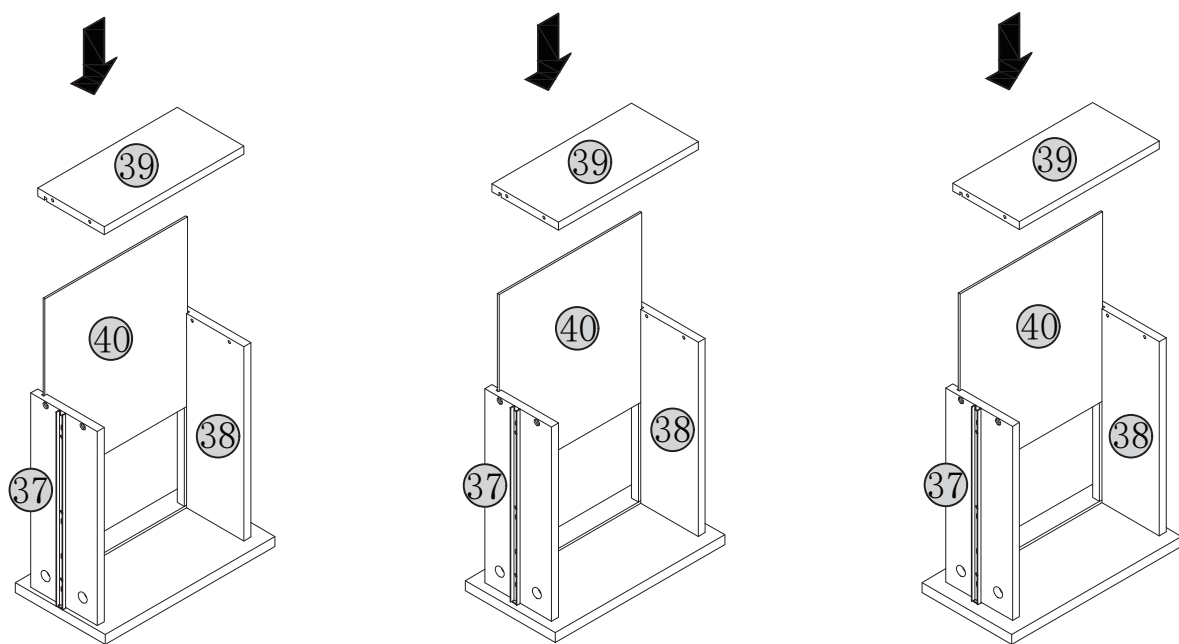


F × 12

Ø 6 × 35 mm

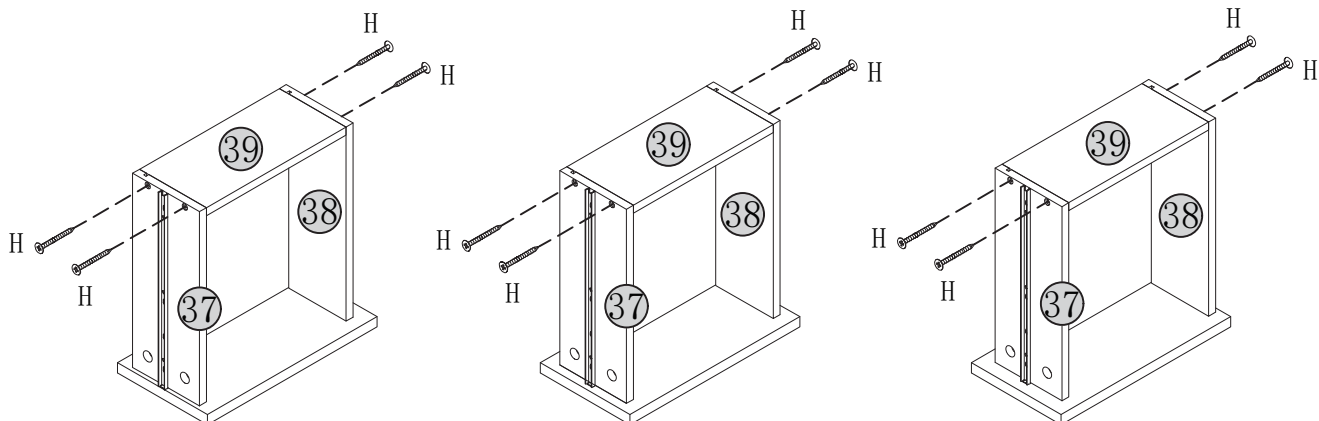
44




45

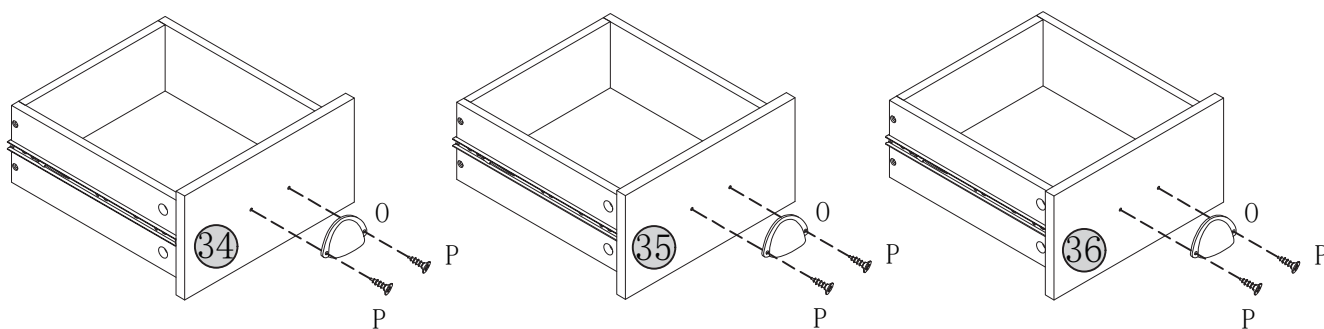




46

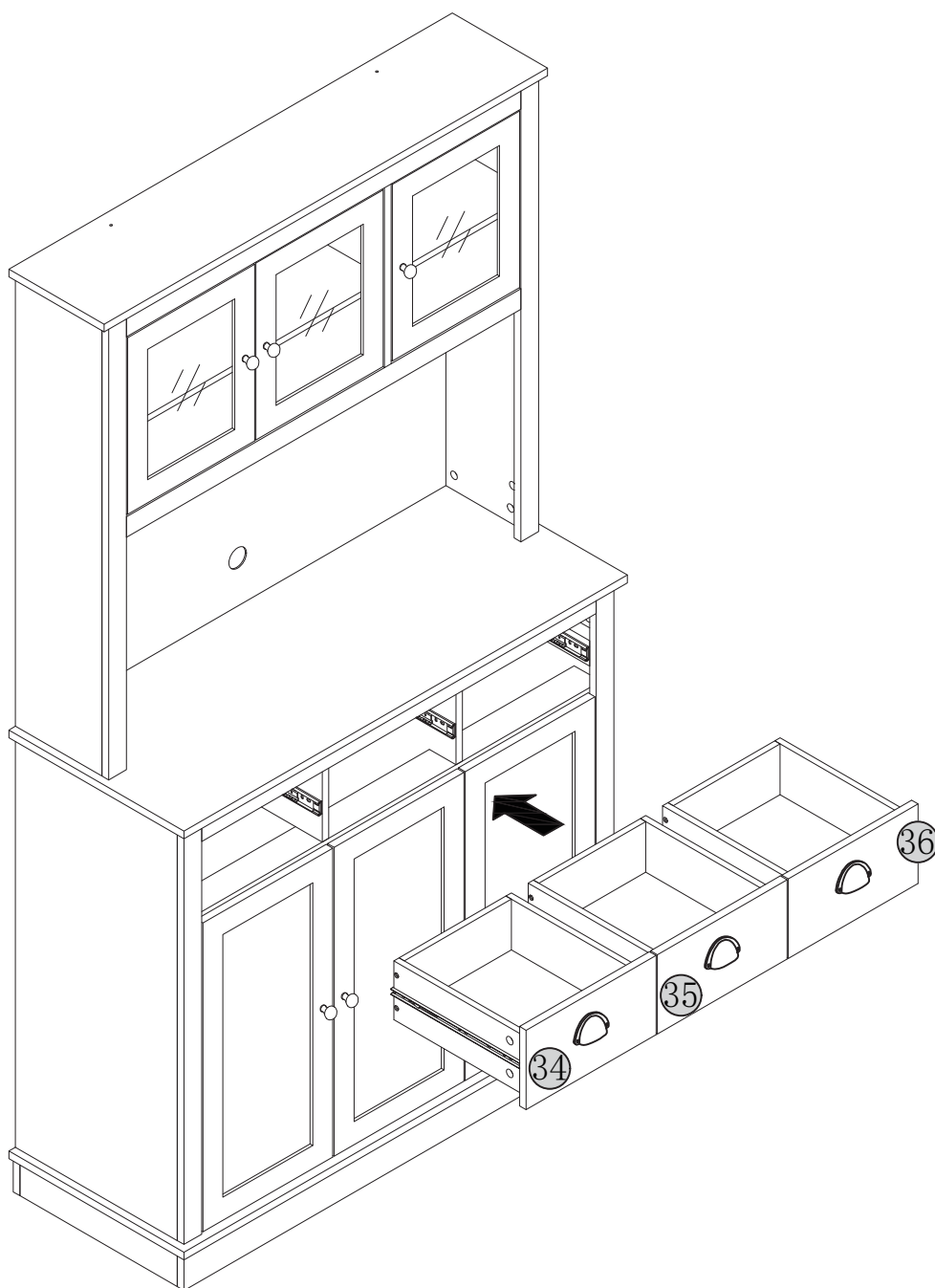
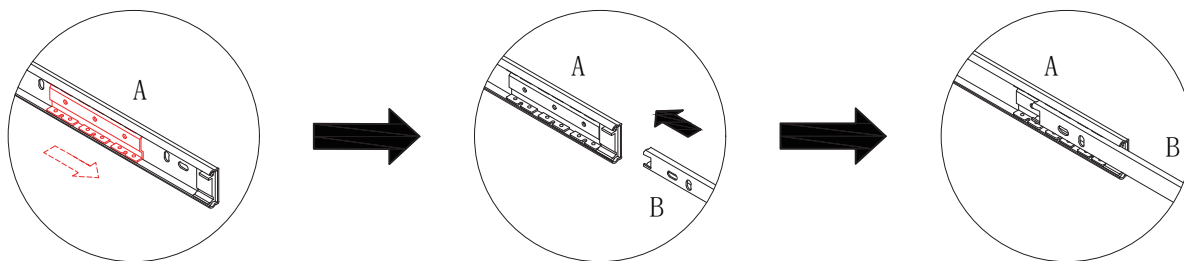


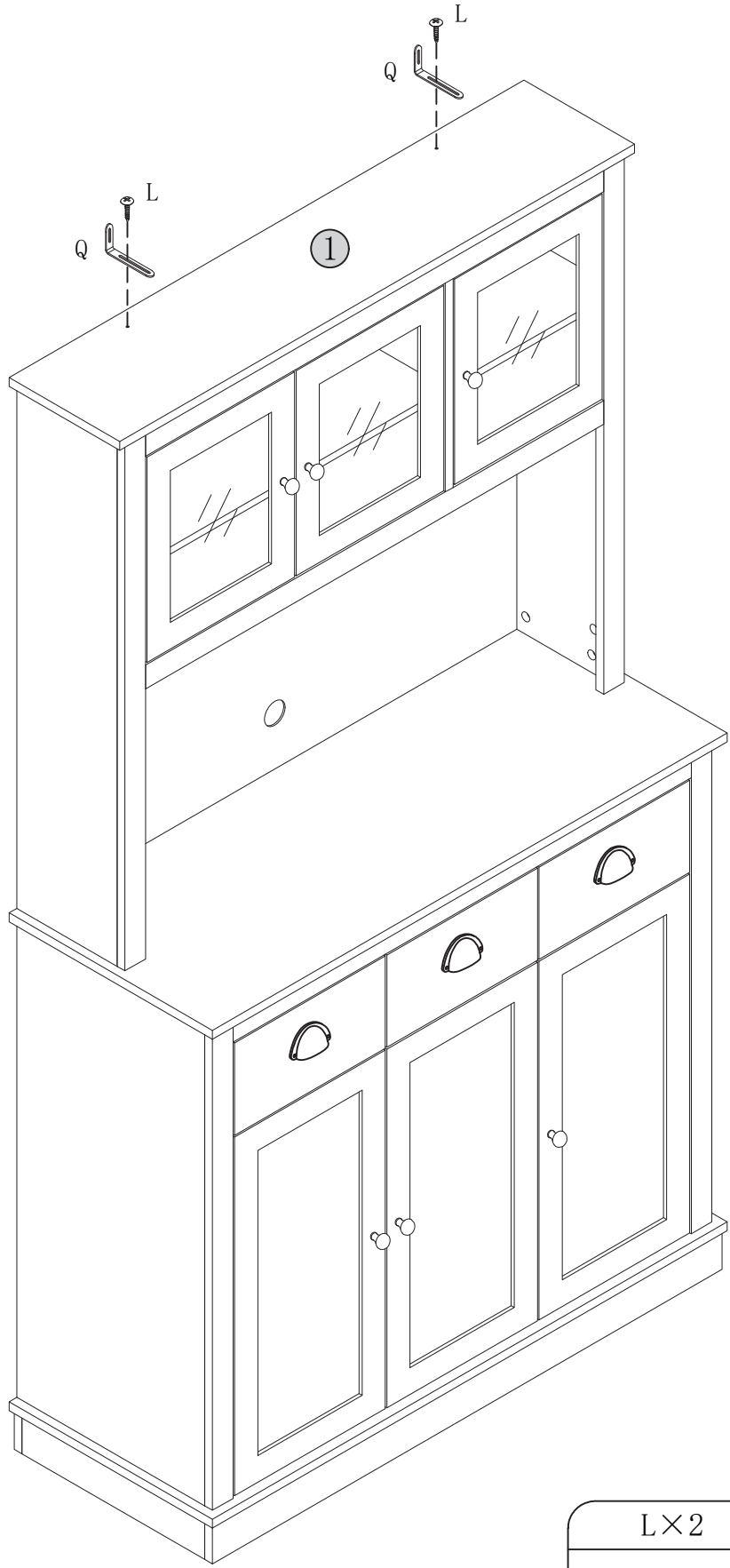
H × 12

Ø 4 × 30mm

47




0 × 3	P × 6
	
	Ø 3 × 12mm



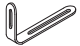


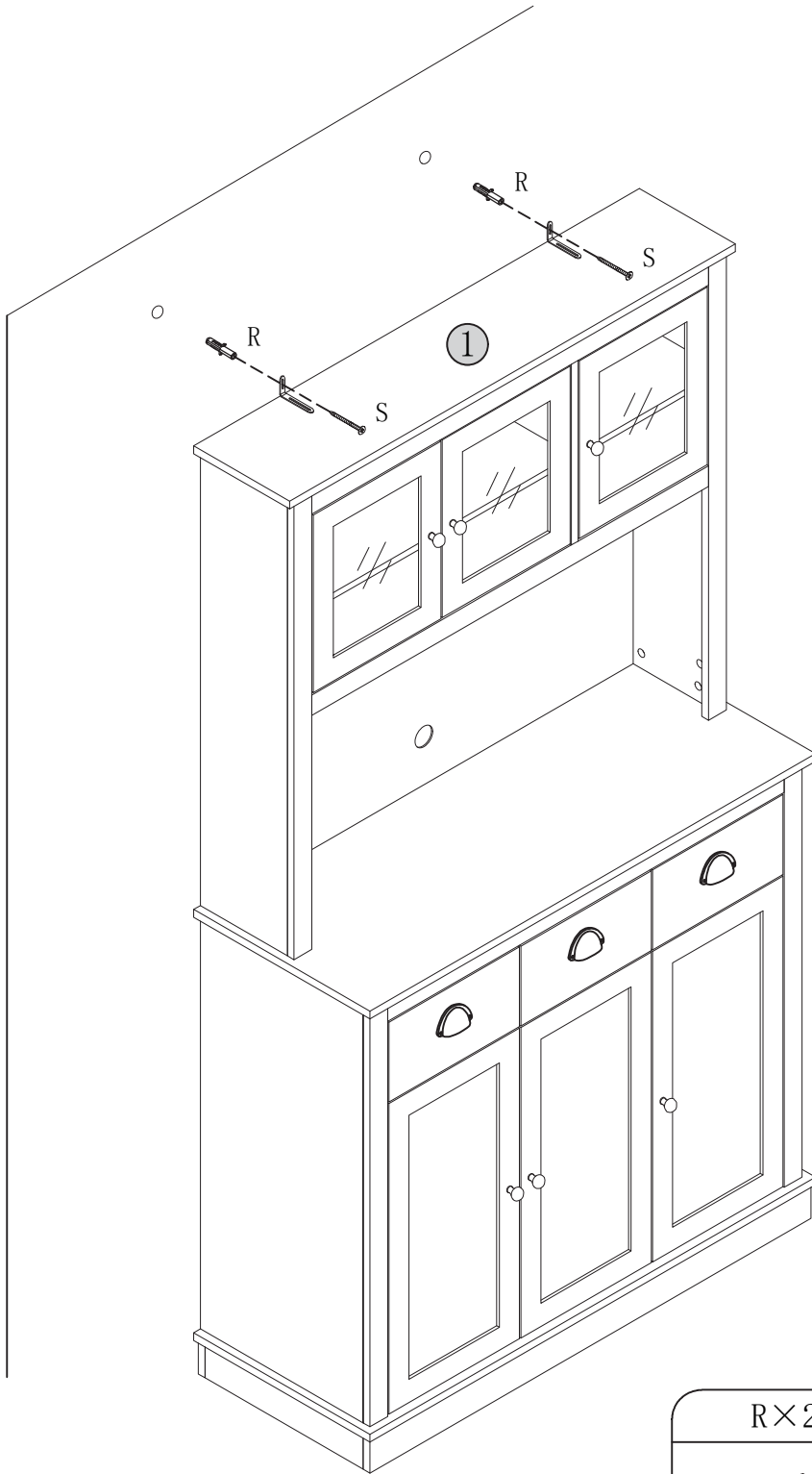
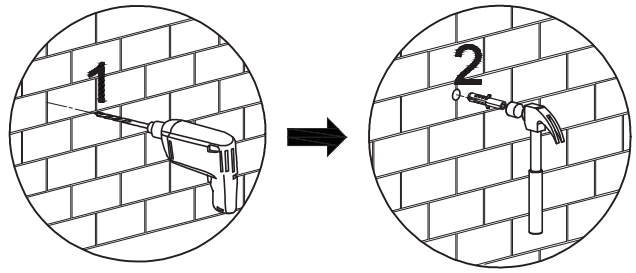
L × 2





Ø4 × 14mm

Q × 2





R × 2	S × 2
	
	∅4 × 40mm

AFTER-SALE SERVICE

If you have any suggestions for our products or find that the products have quality problems, please contact us first, our after-sales team will reply you within 24 hours, and we will do our best to give you solutions until you are satisfied.