

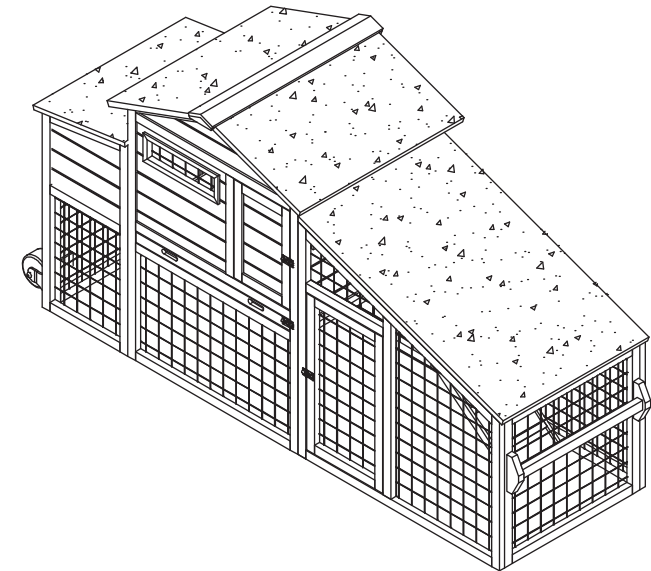
## ASSEMBLY INSTRUCTIONS

PLEASE RETAIN THESE INSTRUCTIONS FOR FUTURE USE



### ***HELP CENTER***

- ▶ Your full satisfaction is our **FIRST** priority
- ▶ We hope you enjoy it and have a good shopping experience.
- ▶ We are committed to resolve any situation when it does not meet your expectations.
- ▶ Please feel free to contact us through order detail page, we will get back to you and solve them within 24 hours.



TIME OF ASSEMBLE: 45-60 minutes



NUMBER OF PERSON: 2

Greeting!  
So here I am

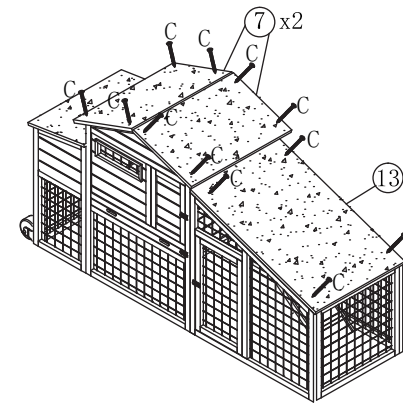
# your new pet house

- ▶ Thanks for letting me be a home for your furry friend(s).
- ▶ They'll be cozy and protected from the weather when they're with me.
- ▶ Just remember to take care of me too, so I can last a long time.
- ▶ When you first get me, you might smell a funny smell. Don't worry, it's not dangerous, just let me air out for a few days and the smell will go away.
- ▶ Be careful when you're putting me together because some of my parts can be sharp or heavy.
- ▶ Make sure to start by loosely putting in screws, and then tighten them all before using me.
- ▶ If you notice anything broken or missing, stop using me until it's fixed, and please follow the instructions from the maker so your warranty stays good.
- ▶ You can use me both inside and outside, but if you put me outside, make sure to give me an extra roof to keep me from getting moldy.
- ▶ I like to be on a level surface so my doors work smoothly.
- ▶ Keep me away from fire and dangerous chemicals.
- ▶ Clean me with a damp, soapy sponge without corrosive agents.
- ▶ Dry me with a soft, clean, dry cloth.
- ▶ Do not use a high pressure cleaner on me.
- ▶ Do not use bleach, acids, solvents, or abrasive cleaners on me.
- ▶ Check that all my bolts, screws, and knobs are tight every 90 days.

## ASSEMBLY INSTRUCTION

Tool Required:  Electric Drill  Phillips Screwdriver

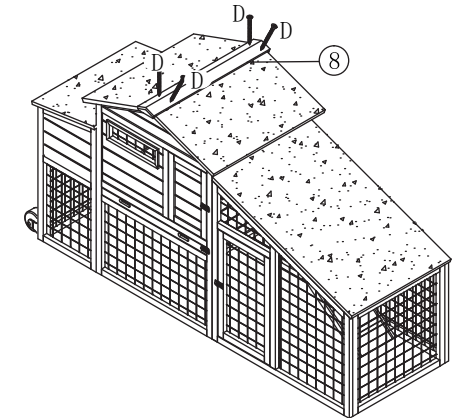
C M4\*30 12PCS



Assemble (7)x2 Roofs of sleeping house, and (13)Roof of run cage with screws.

STEP 9

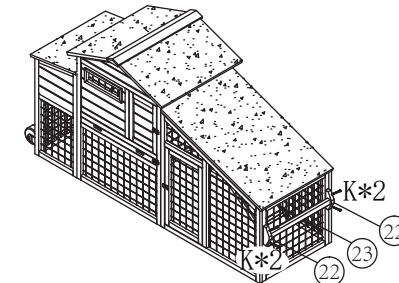
D M3\*23 4PCS



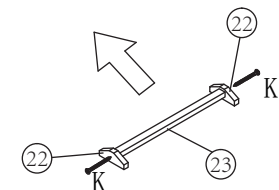
Assemble (8) Ridge with screws.

STEP 10

K M4\*40 6PCS



Fix the total wooden handle on the chicken coop with screws



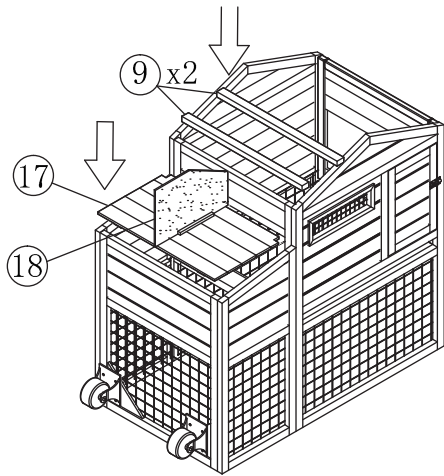
Fix (22)Wooden handle supporter together with (23)Wooden handle with screws

STEP 11

# ASSEMBLY INSTRUCTION

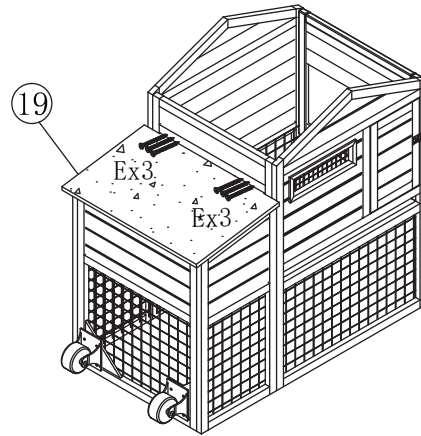
Tool Required:  Electric Drill  Phillips Screwdriver

E M3\*16 6PCS



Insert ⑰ Bottom panel and ⑱ Divider of nesting box, put ⑨ x2 Perches into the sleeping house.

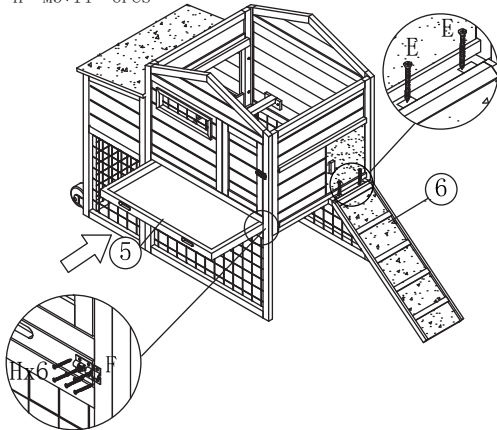
STEP 5



Assemble ⑲ Roof of nesting box with screws .

STEP 6

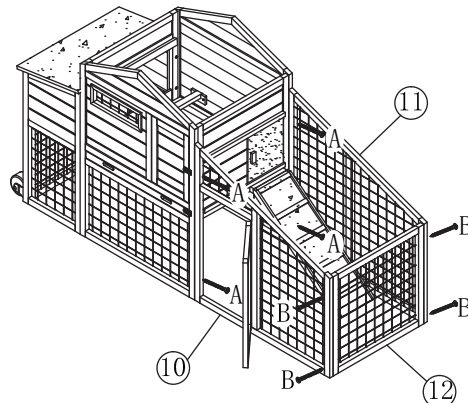
E M3\*16 2PCS  
F  1PCS  
H M3\*14 6PCS



Insert ⑤ Tray , Fixed (F) Bolt on the tray with screws, assemble ⑥ Ramp with screws.

STEP 7

A M4\*50 4PCS      B M4\*45 4PCS



Assemble ⑩ Front panel, ⑪ Back panel and ⑫ Right panel of run area together with the sleeping house.

STEP 8

Kindly Reminder:

The wooden knob on the tray is to prevent the tray from being moved by pets.

# ASSEMBLY INSTRUCTION

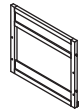
Tool Required:  Electric Drill  Phillips Screwdriver



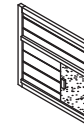
① Front panel of sleeping house



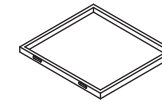
② Back panel of sleeping house



③ Left panel of sleeping house



④ Right panel of sleeping house



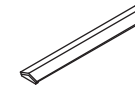
⑤ Tray



⑥ Ramp



⑦ \*2 Roof of sleeping house



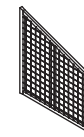
⑧ Ridge of sleeping house



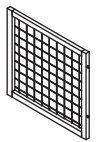
⑨ \*2 Perches



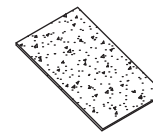
⑩ Front panel of run cage



⑪ Back panel of run cage



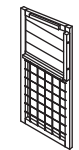
⑫ Right panel of run cage



⑬ Front roof of run cage



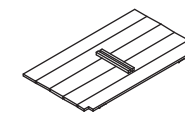
⑭ Right panel of nesting box



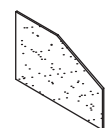
⑮ Left panel of nesting box



⑯ Back panel of nesting box



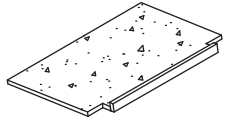
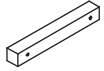


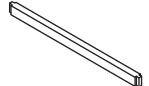
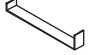
⑰ Bottom panel of nesting box














⑱ Divider panel of nesting box

# ASSEMBLY INSTRUCTION

Tool Required:  Electric Drill  Phillips Screwdriver

		
⑱ Roof of nesting box	⑳ Supporter of ramp	㉑*2 Wheelie
		
㉒*2 Wooden handle supporter	㉓ Wooden handle	㉔ Supporter of ramp

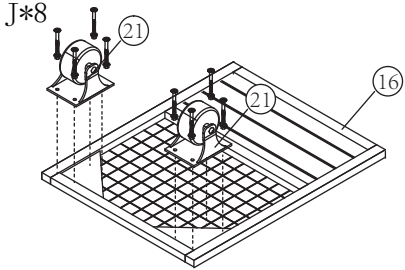
## Parts Description

	A M4*50	6PCS+1
	B M4*45	18PCS+1
	C M4*30	12PCS+1
	D M3*23	4PCS+1
	E M3*16	8PCS+1
	F	1PC
	G M6*50	4PCS
	H M3*14	6PCS+1
	J M6*30	8PCS
	K M4*40	6PCS+1
	L M3*18	2PCS+1

# ASSEMBLY INSTRUCTION

Tool Required:  Electric Drill  Phillips Screwdriver

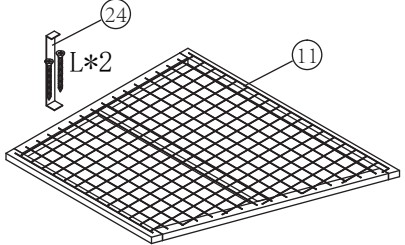
J M6\*30 8PCS



Fix ㉑\*2 Wheelie on ⑱ Back panel of nesting box with screws

STEP 1

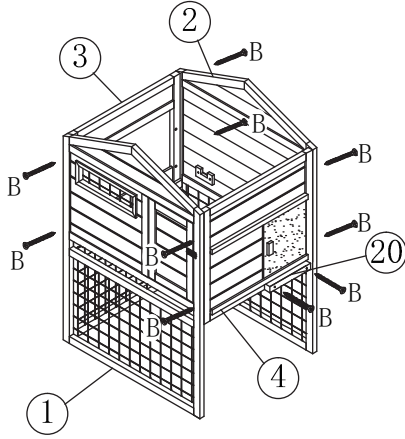
L M3\*18 2PCS



Fix ㉔ Supporter of ramp on ⑪ Back panel of run cage with screws

STEP 2

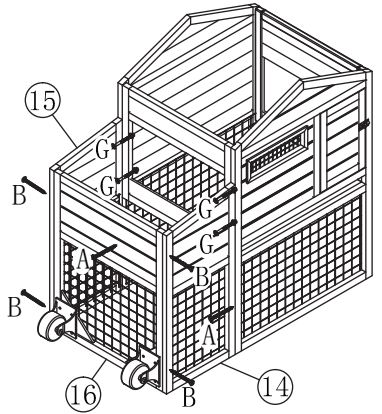
B M4\*45 10PCS



Assemble ① Front panel, ② Back panel, left panel and ④ Right panel of sleeping house, and fix ㉑ Ladder supporter with screws.

STEP 3

A M4\*50 2PCS  
B M4\*45 4PCS  
G M6\*50 4PCS



Assemble ⑱ Back panel, ⑮ Left panel and ⑭ Right panel of nesting box with screws.

STEP 4