

ASSEMBLY INSTRUCTIONS



CHEVAL MIRROR

ASSEMBLY INSTRUCTIONS

ASSEMBLY TIPS:

1. Remove hardware from box and sort by size.
2. Please check to see that all hardware and parts are present prior to start of assembly.
3. Please follow attached instructions in the same sequence as numbered to assure fast & easy assembly.




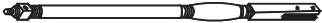
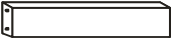
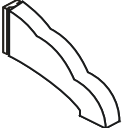

WARNING!

1. Don't attempt to repair or modify parts that are broken or defective. Please contact the store immediately.
2. This product is for home use only and not intended for commercial establishments.


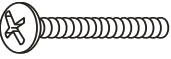

ASSEMBLY TIME

20 MINUTES

PARTS IDENTIFICATION

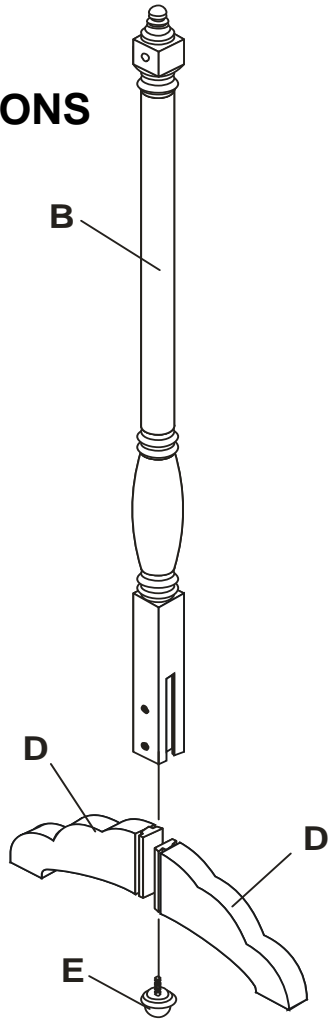
A	MIRROR		1PC
B	POST		2PCS
C	CROSS BRACE		1PC
D	LEG		4PCS
E	WOODEN KNOB WITH BOLT		2PCS

HARDWARE IDENTIFICATION

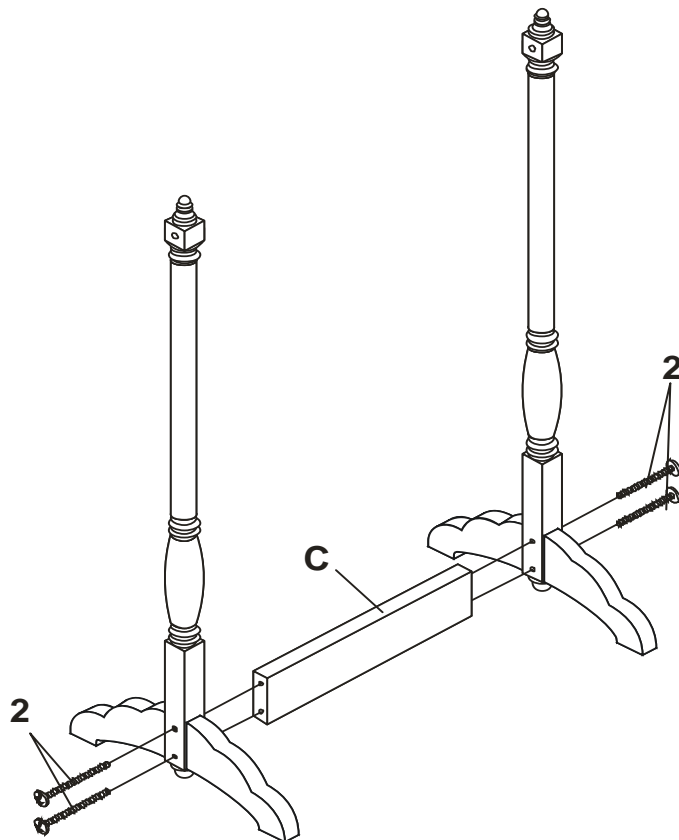
1	BRASS EYEBOLT (5/16" x 2-3/4" BLK)		2PCS
2	BOLT (1/4" x 2-1/2" BLK)		4PCS
3	WASHER (Ø23 x Ø8 x 1mm BLK)		2PCS

ASSEMBLY INSTRUCTIONS

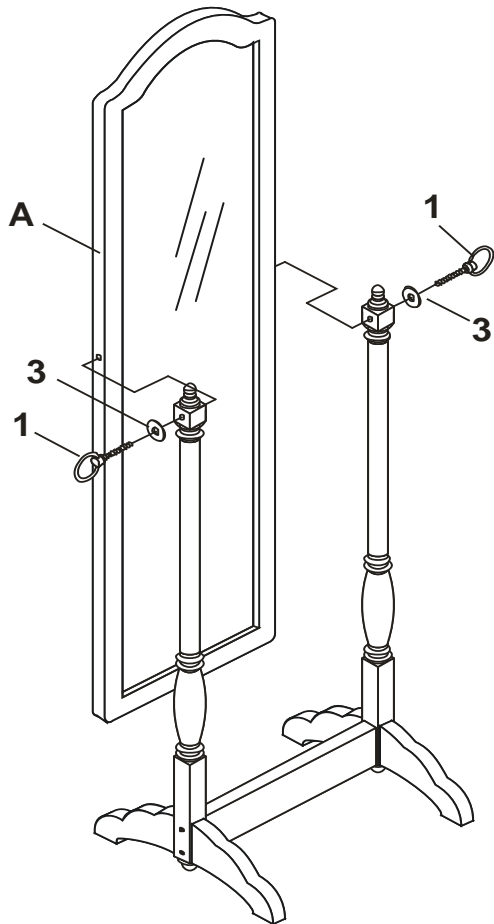
STEP 1



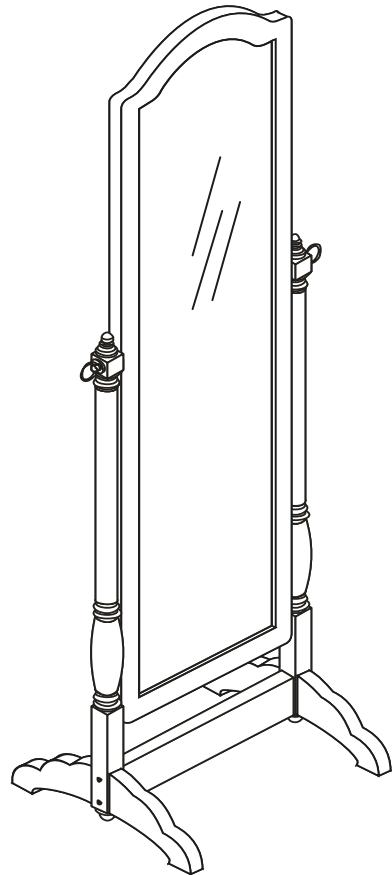
STEP 2

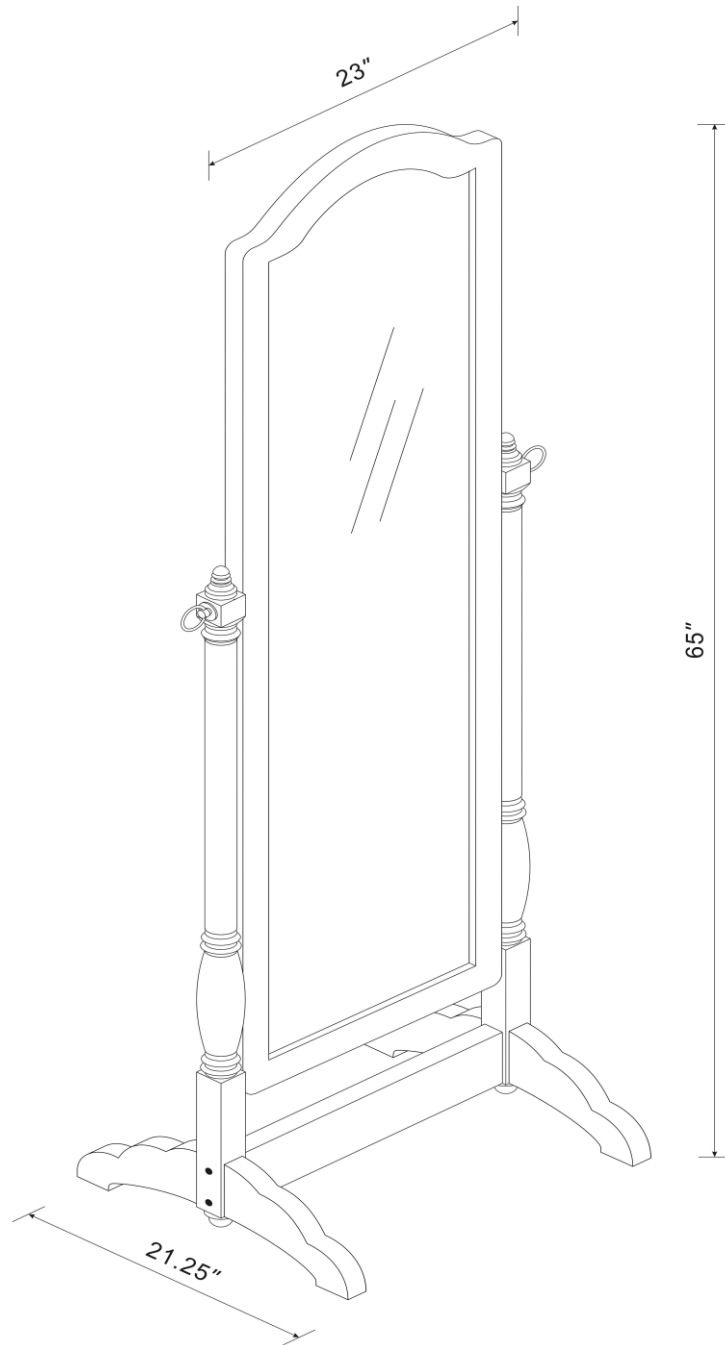


ASSEMBLY INSTRUCTIONS
STEP 3



STEP 4
COMPLETE





Note : Dimension tolerance $\pm 5\%$