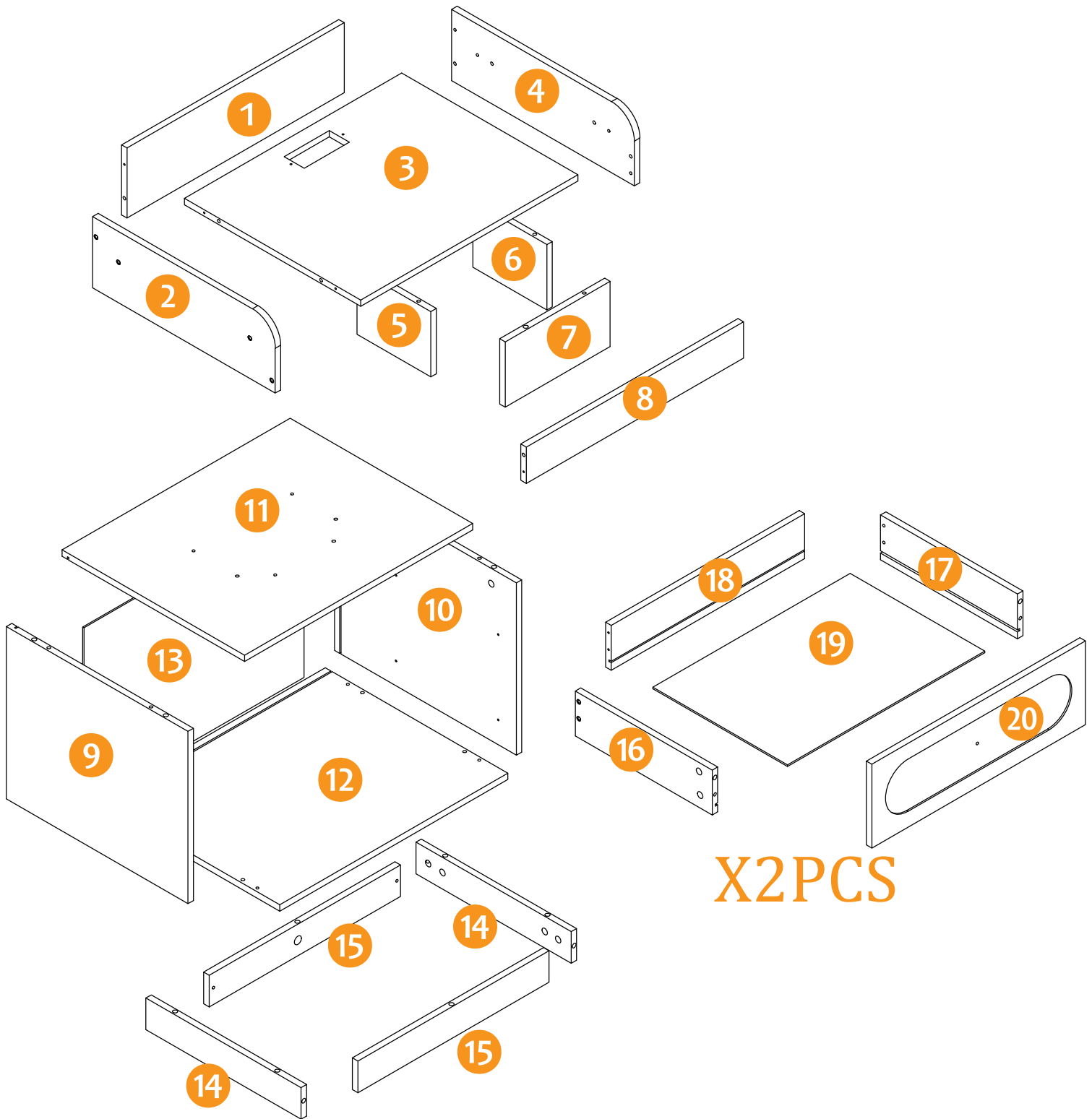


# ASSEMBLY INSTRUCTIONS



# Trouble Shooting

Missing/Damaged pieces/  
Wrong size and installation issues



Contact us with your problem, pic,  
number and qty to the "Contact seller"  
button in the detail page of your order



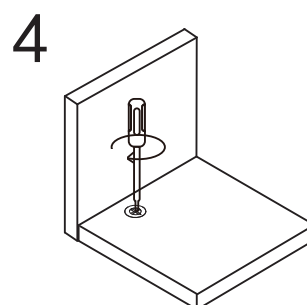
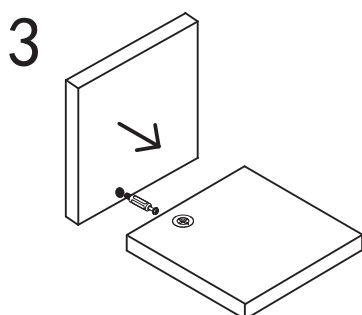
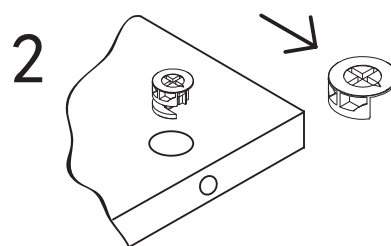
Respond with 24 hours to solve issue

# Before You Start

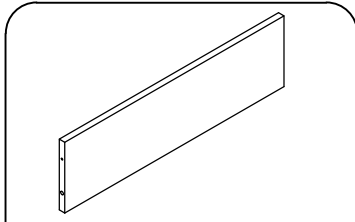
1. Read through each step carefully and follow the proper order
2. Separate and count all your parts and hardware
3. Give yourself enough room for the assembly process
4. Caution: If using a power drill or power screwdriver for screwing, please be aware to slow down and stop when screw is tight. Failure to do so may result in stripping the screw

## Cam Lock Fastening System

This Cam Lock Fastening System will be used throughout the assembly process

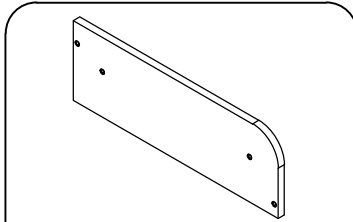


# Parts List



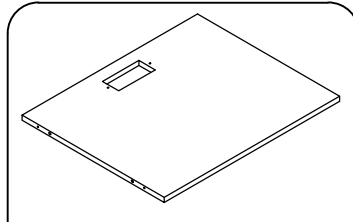
1

1PC



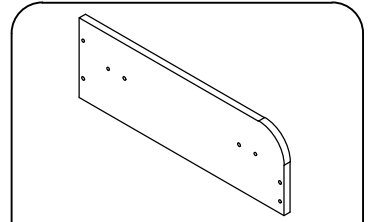
2

1PC



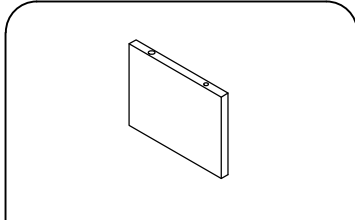
3

1PC



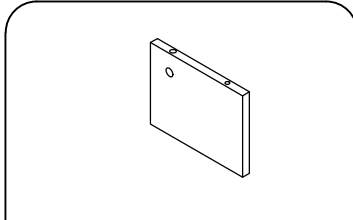
4

1PC



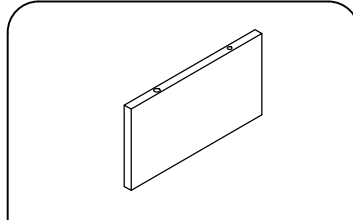
5

1PC



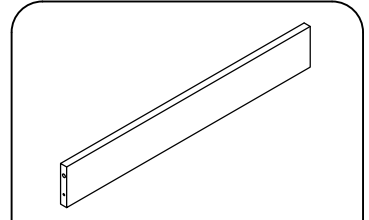
6

1PC



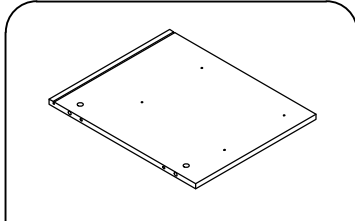
7

1PC



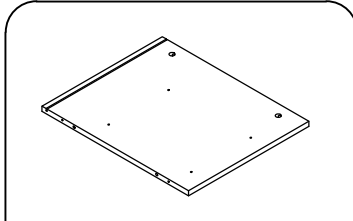
8

1PC



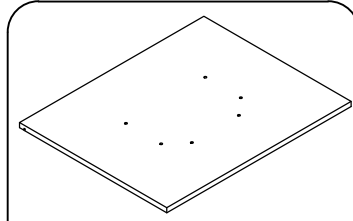
9

1PC



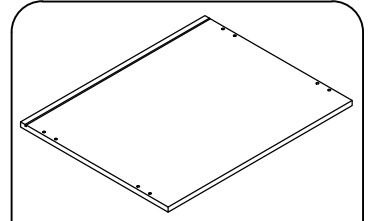
10

1PC



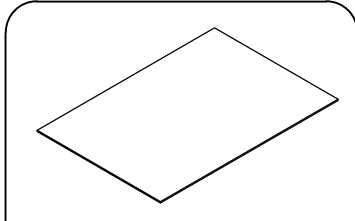
11

1PC



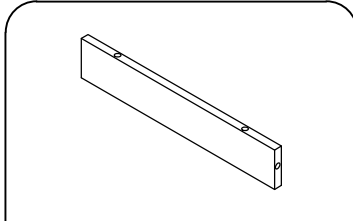
12

1PC



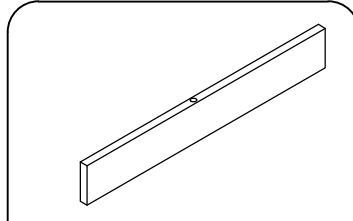
13

1PC



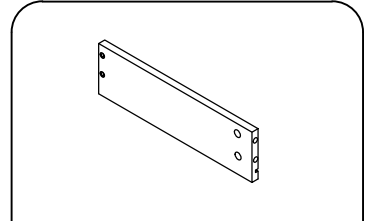
14

2PCS



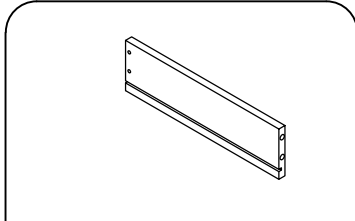
15

2PCS



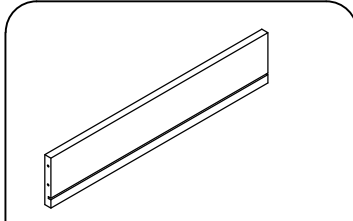
16

2PCS



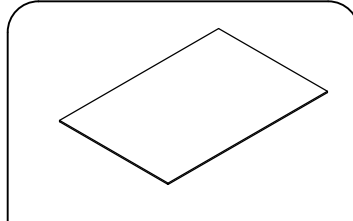
17

2PCS



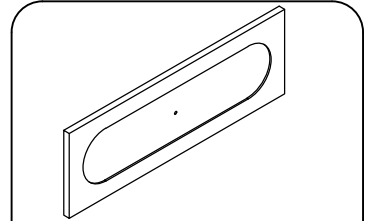
18

2PCS



19

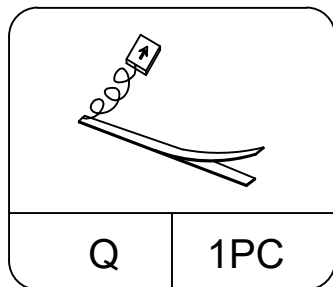
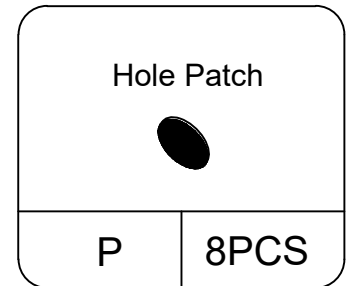
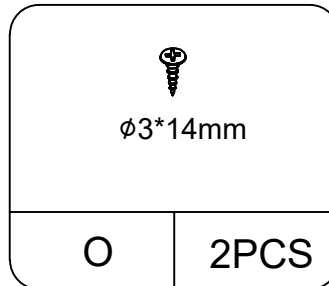
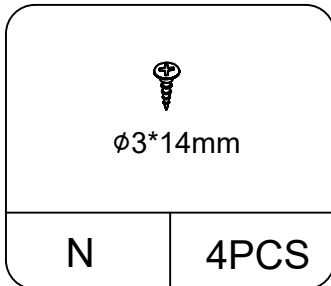
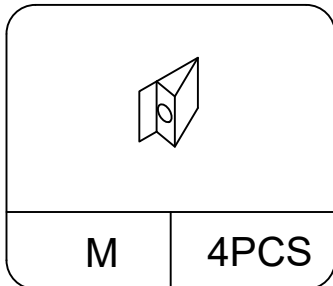
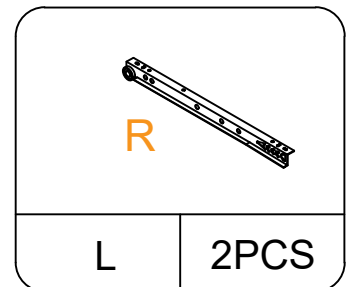
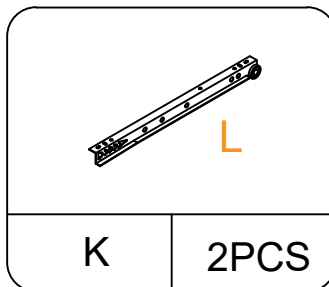
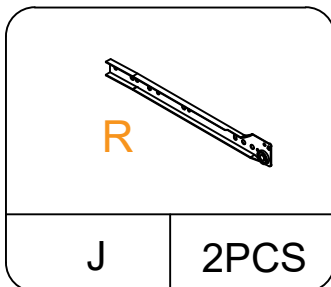
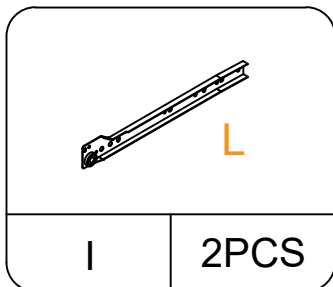
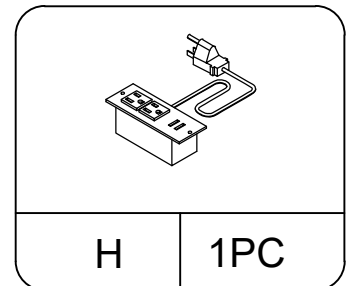
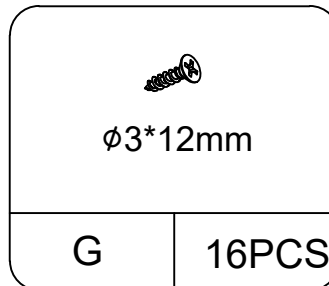
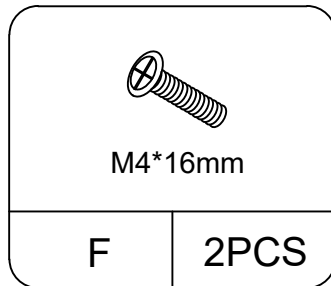
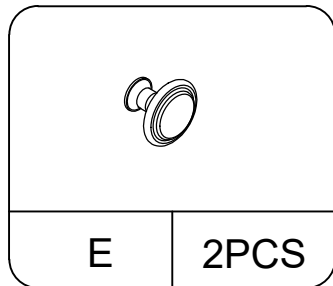
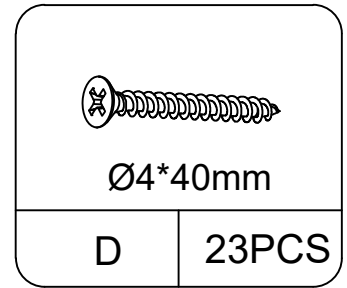
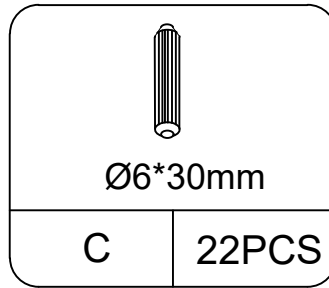
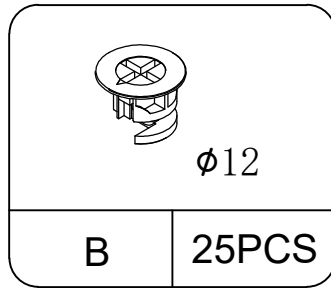
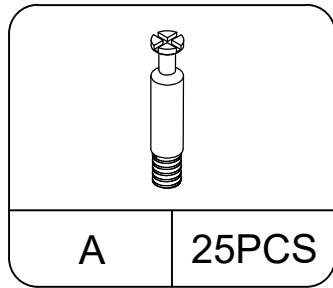
2PCS



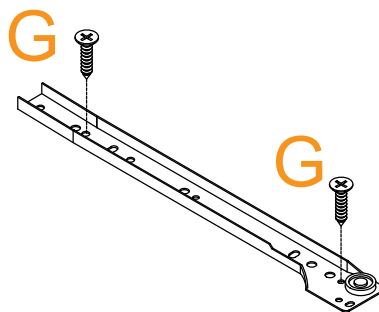
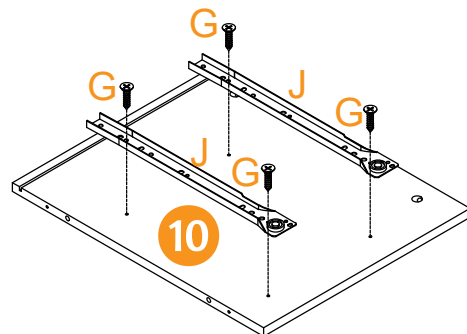
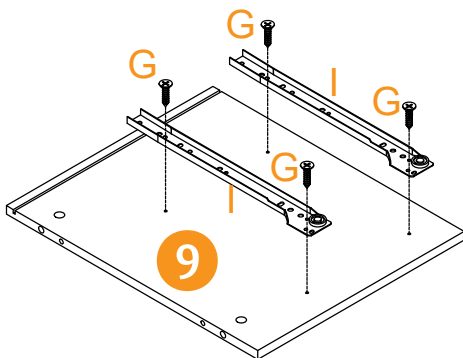
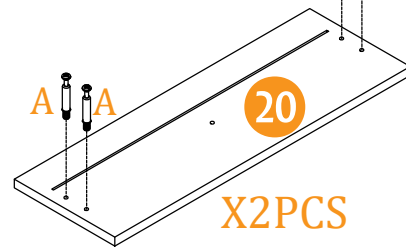
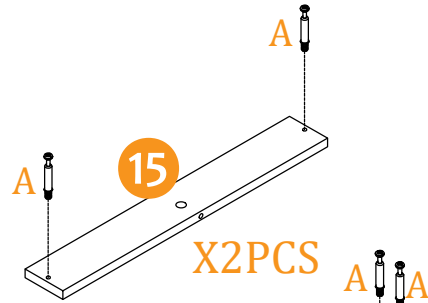
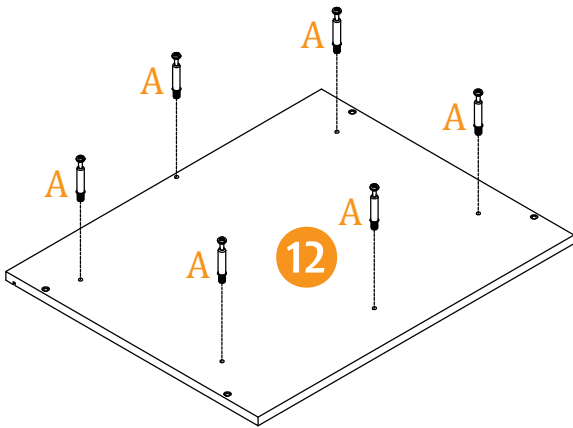
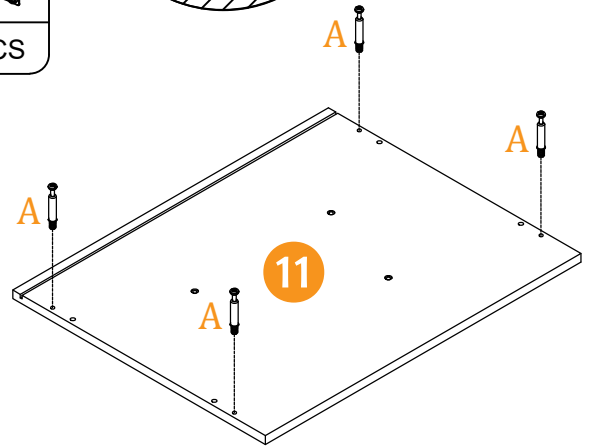
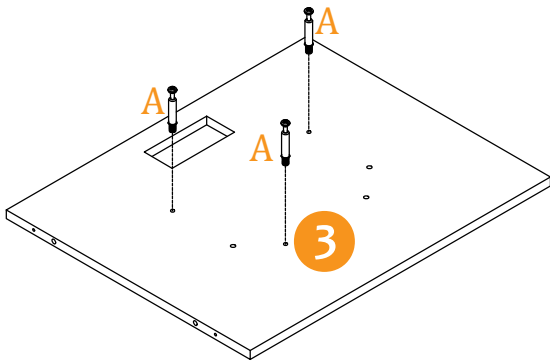
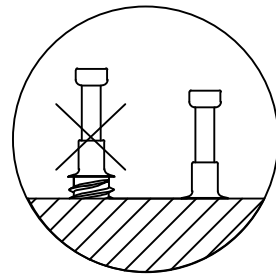
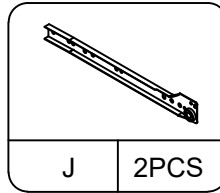
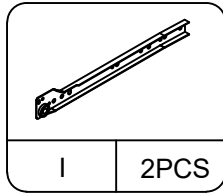
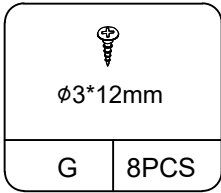
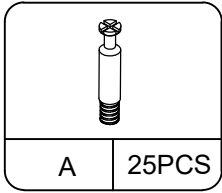
20

2PCS

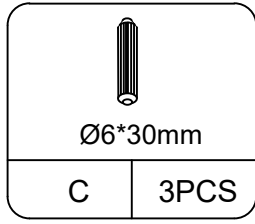
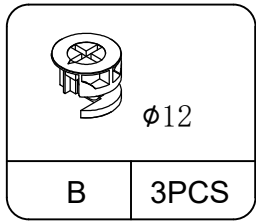
# Hardware List



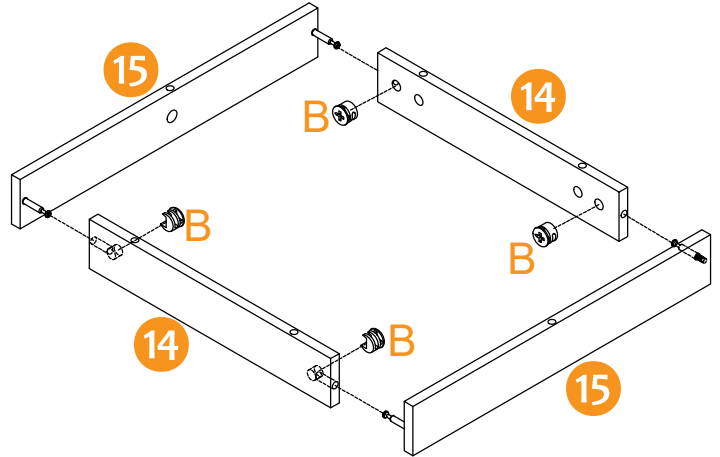
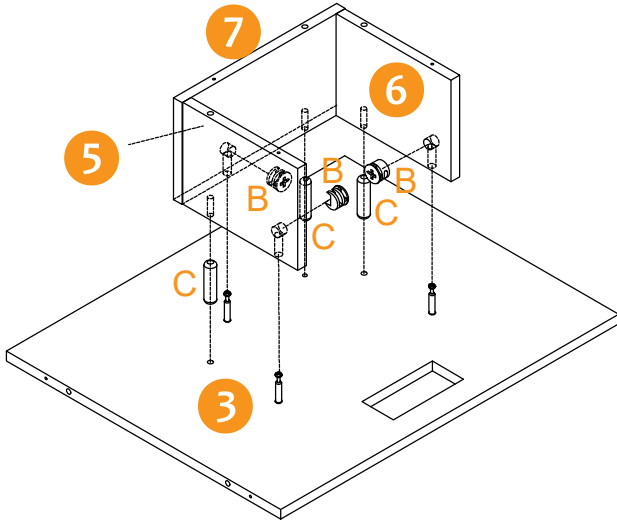
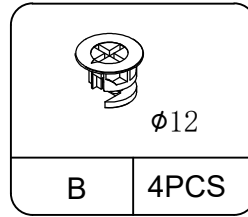
# STEP 1



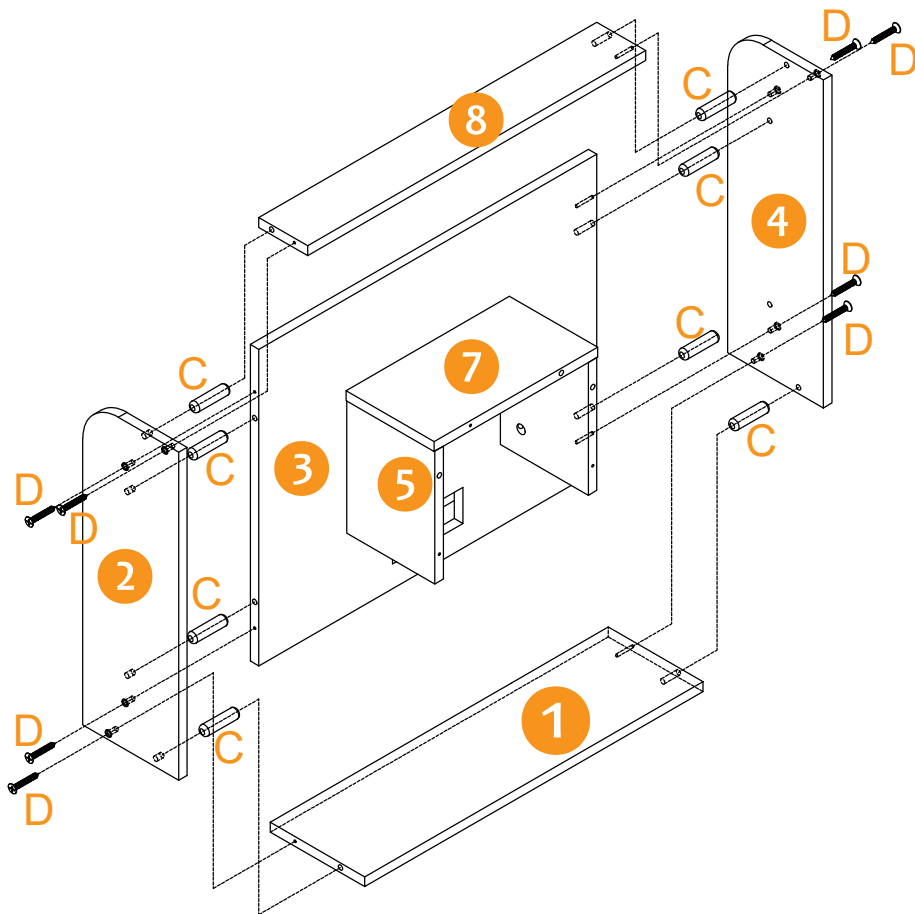
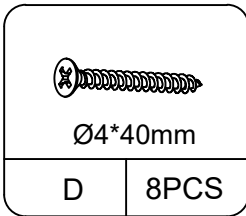
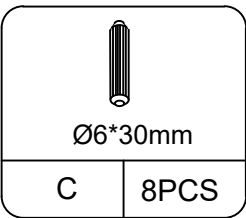
# STEP 2



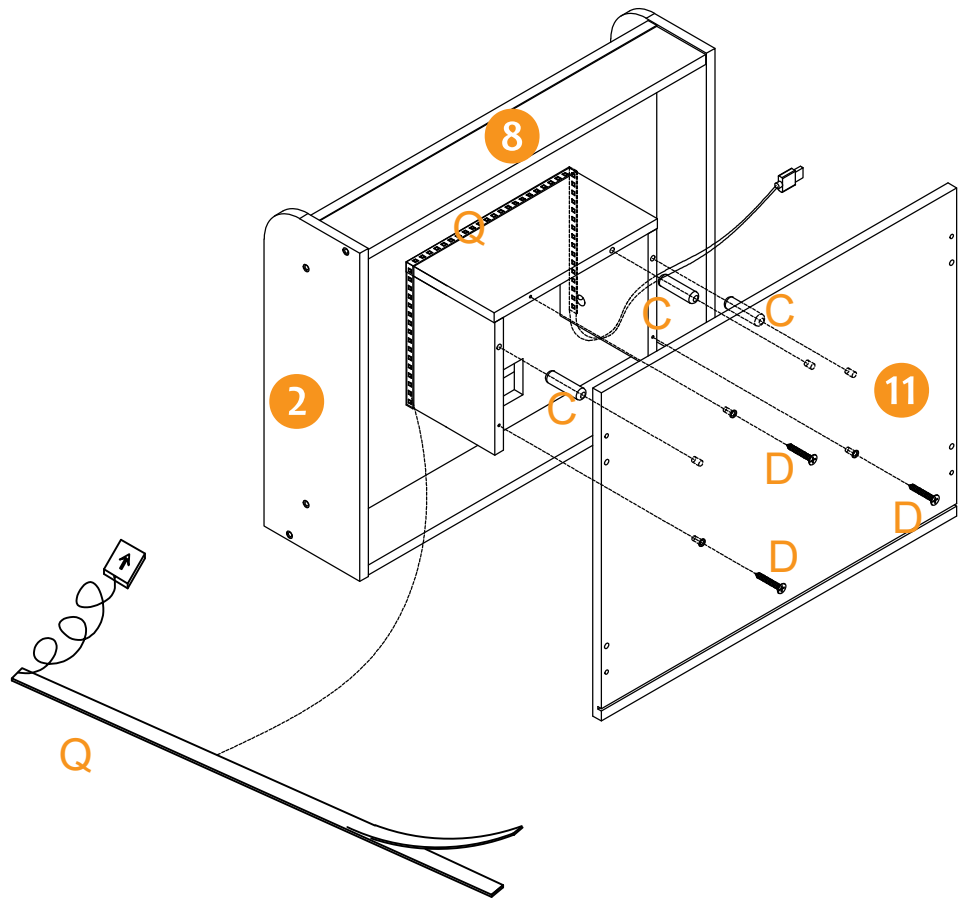
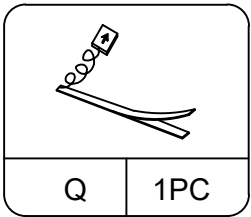
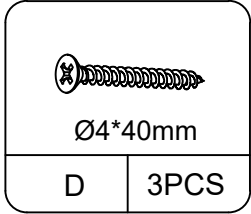
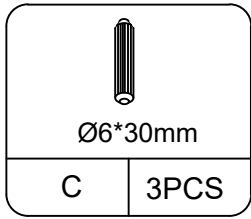
# STEP 3



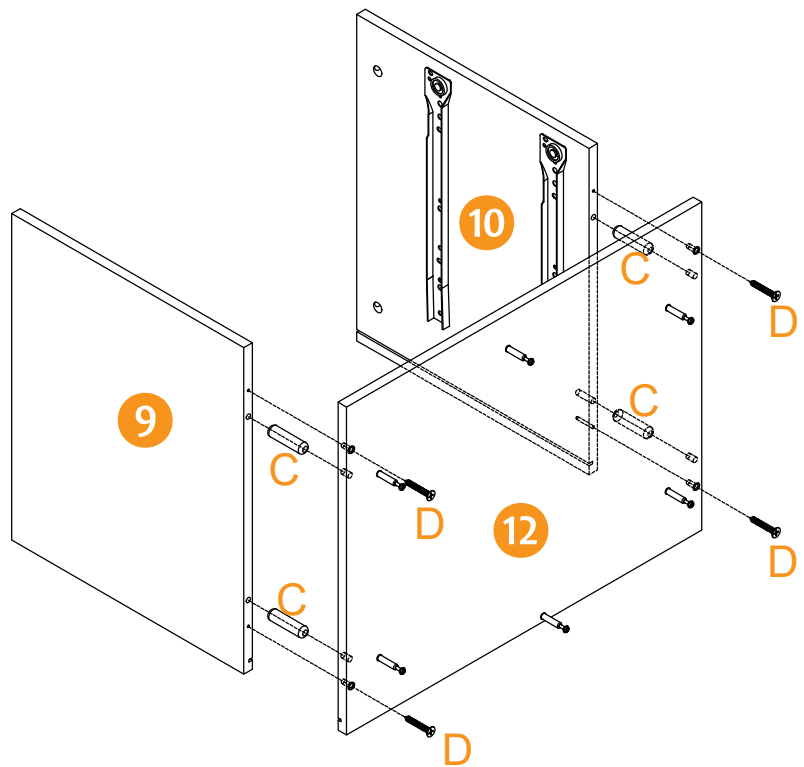
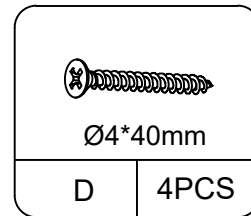
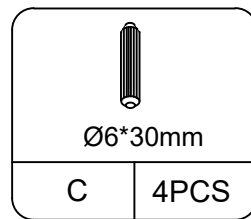
# STEP 4



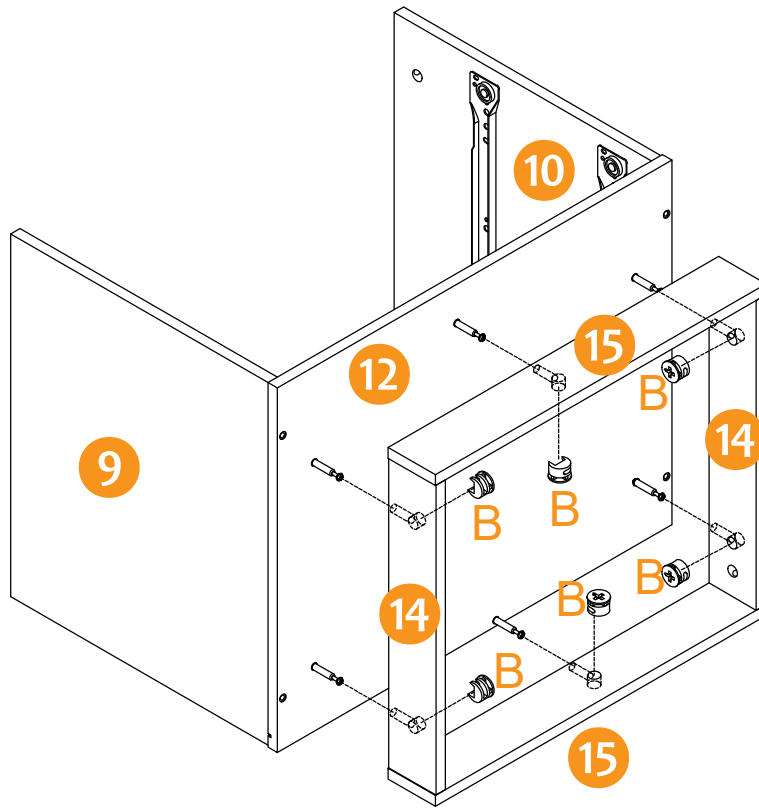
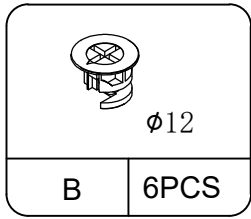
# STEP 5



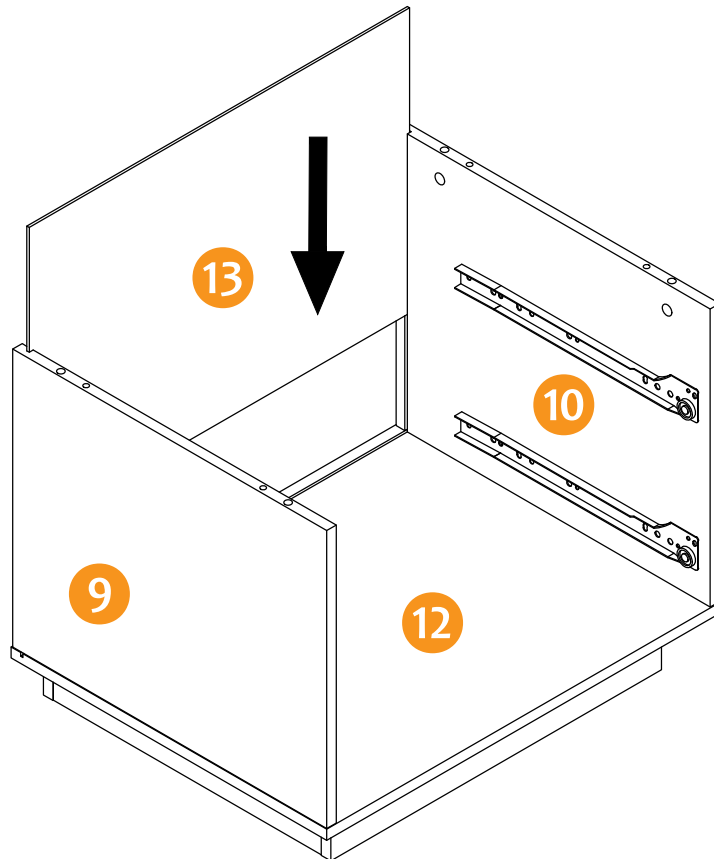
# STEP 6



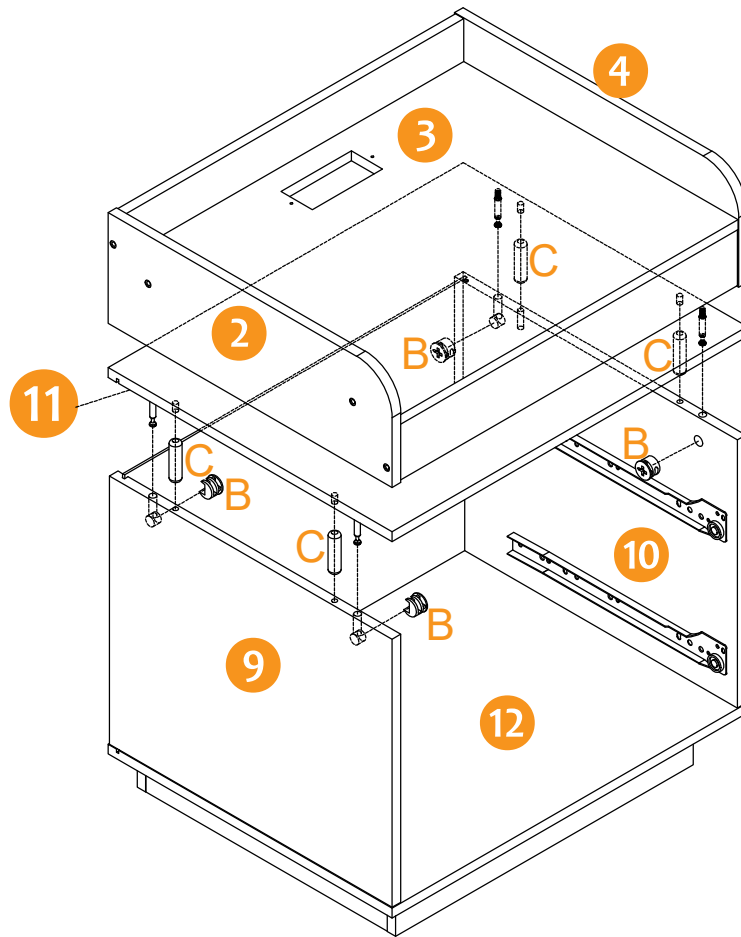
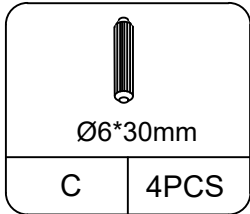
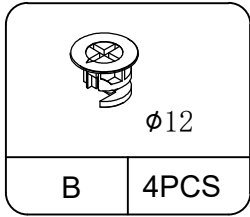
# STEP 7



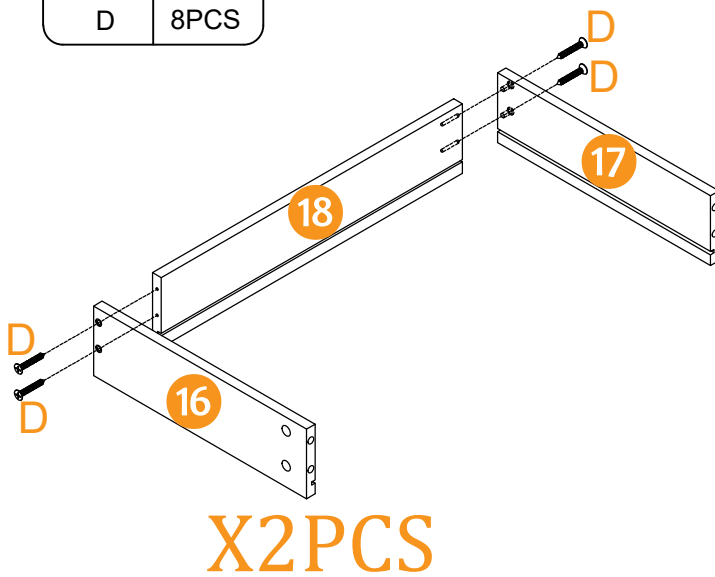
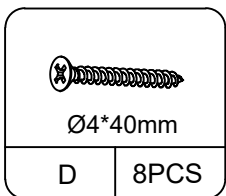
# STEP 8



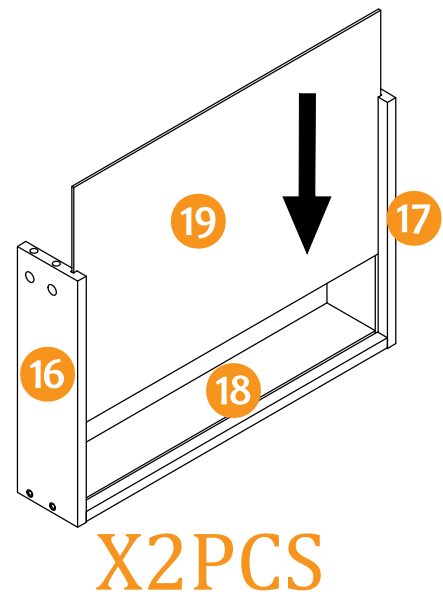
# STEP 9



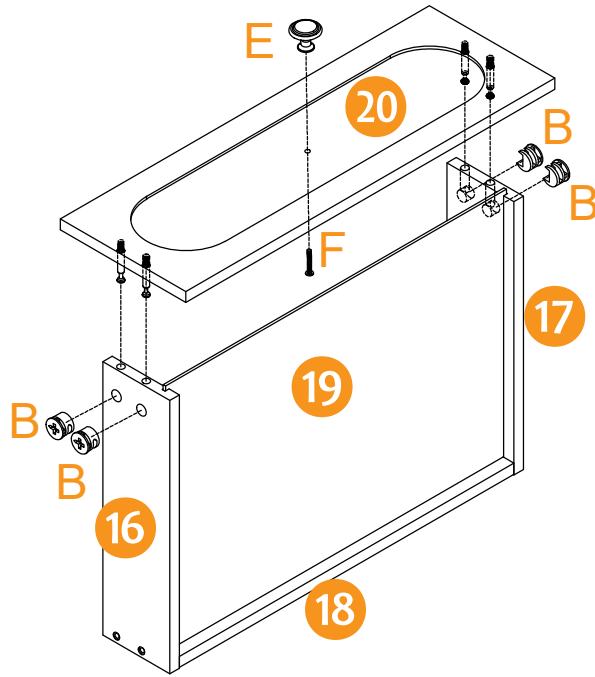
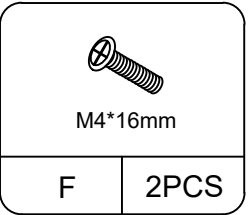
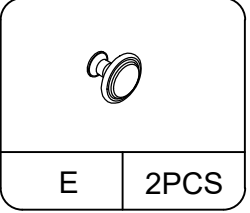
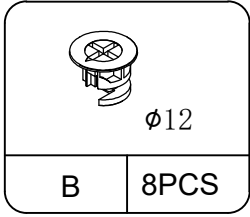
# STEP 10



# STEP 11

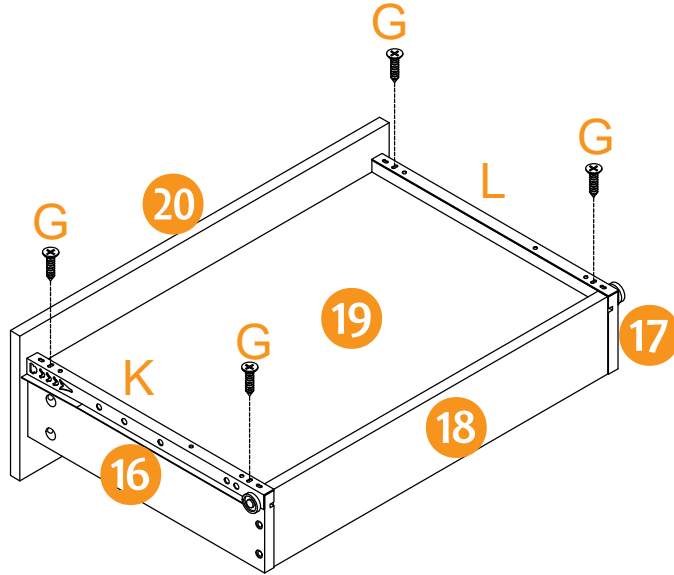
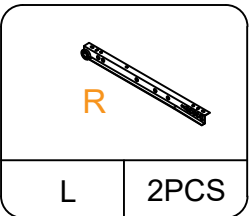
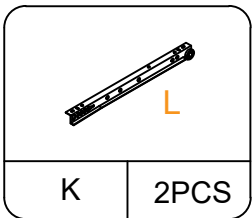
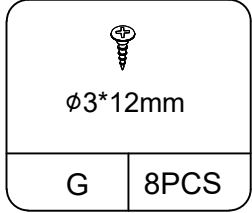


# STEP 12



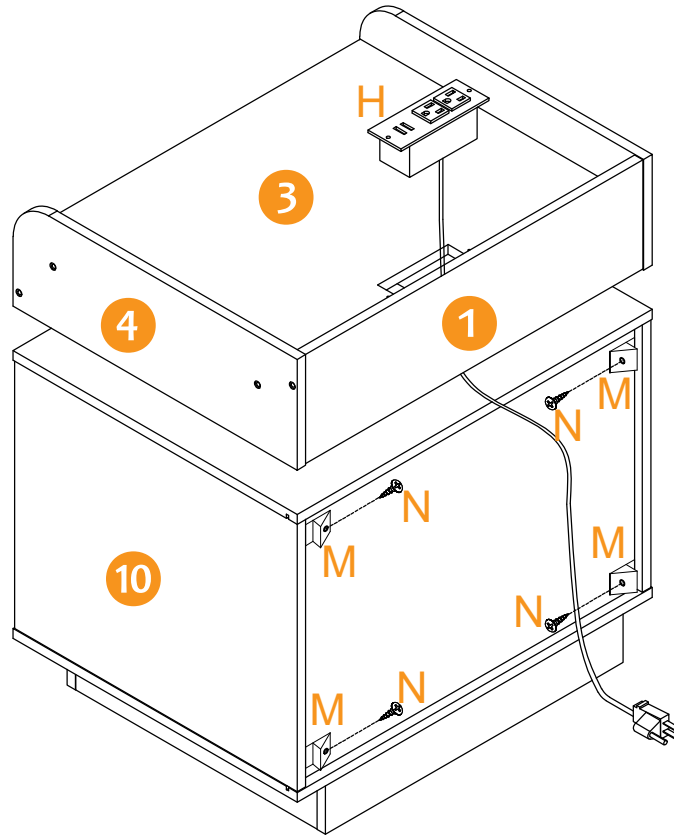
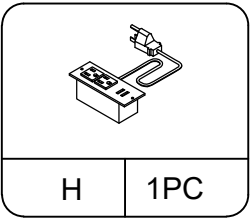
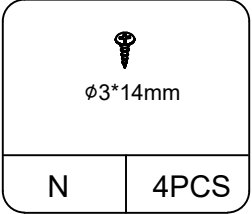
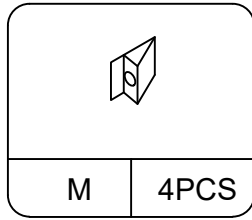
X2PCS

# STEP 13



X2PCS

# STEP 14



# STEP 15

