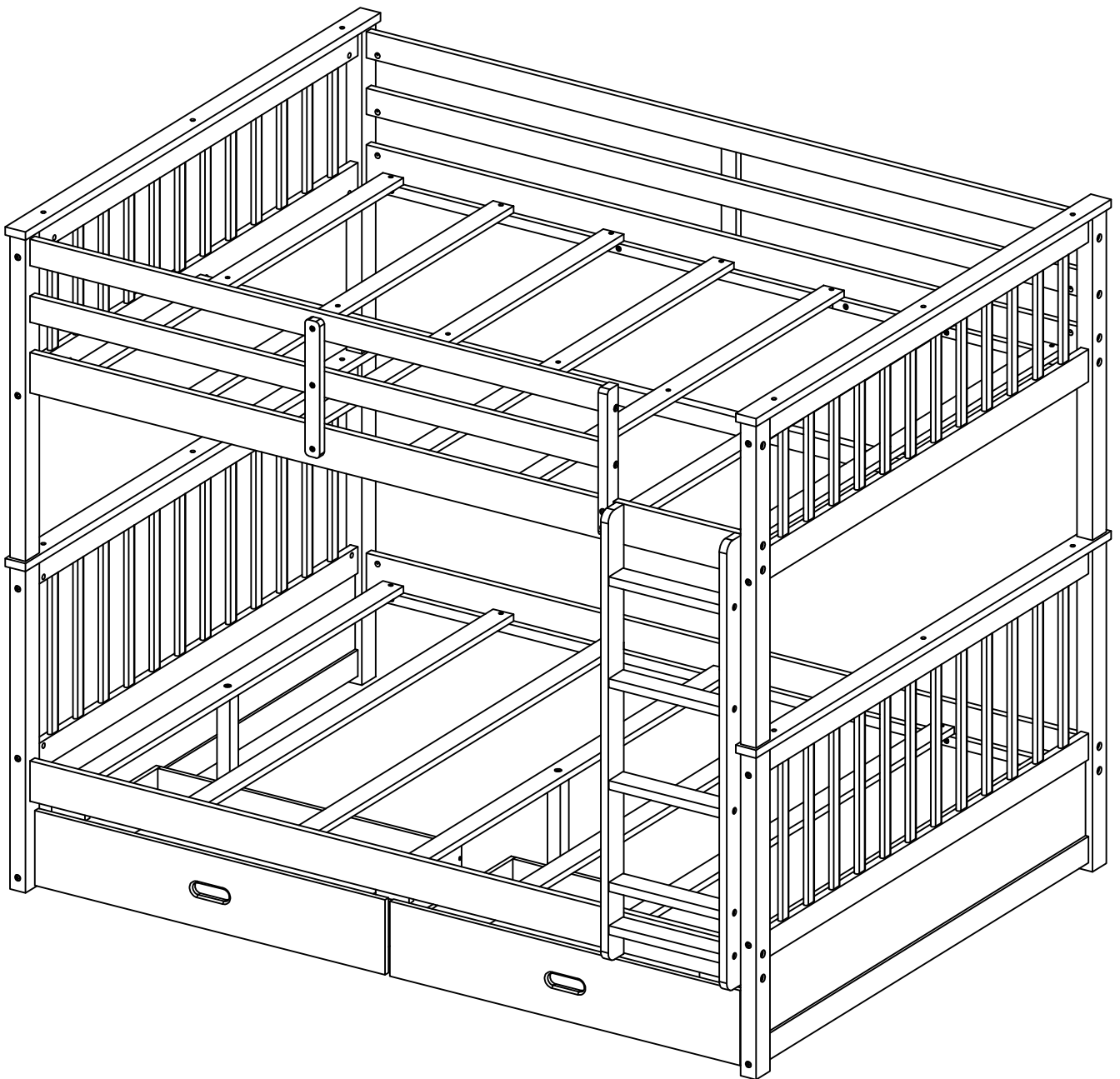


# ASSEMBLY INSTRUCTIONS

## FULL OVER FULL BUNKBED



# **! SAFETY WARNINGS !**

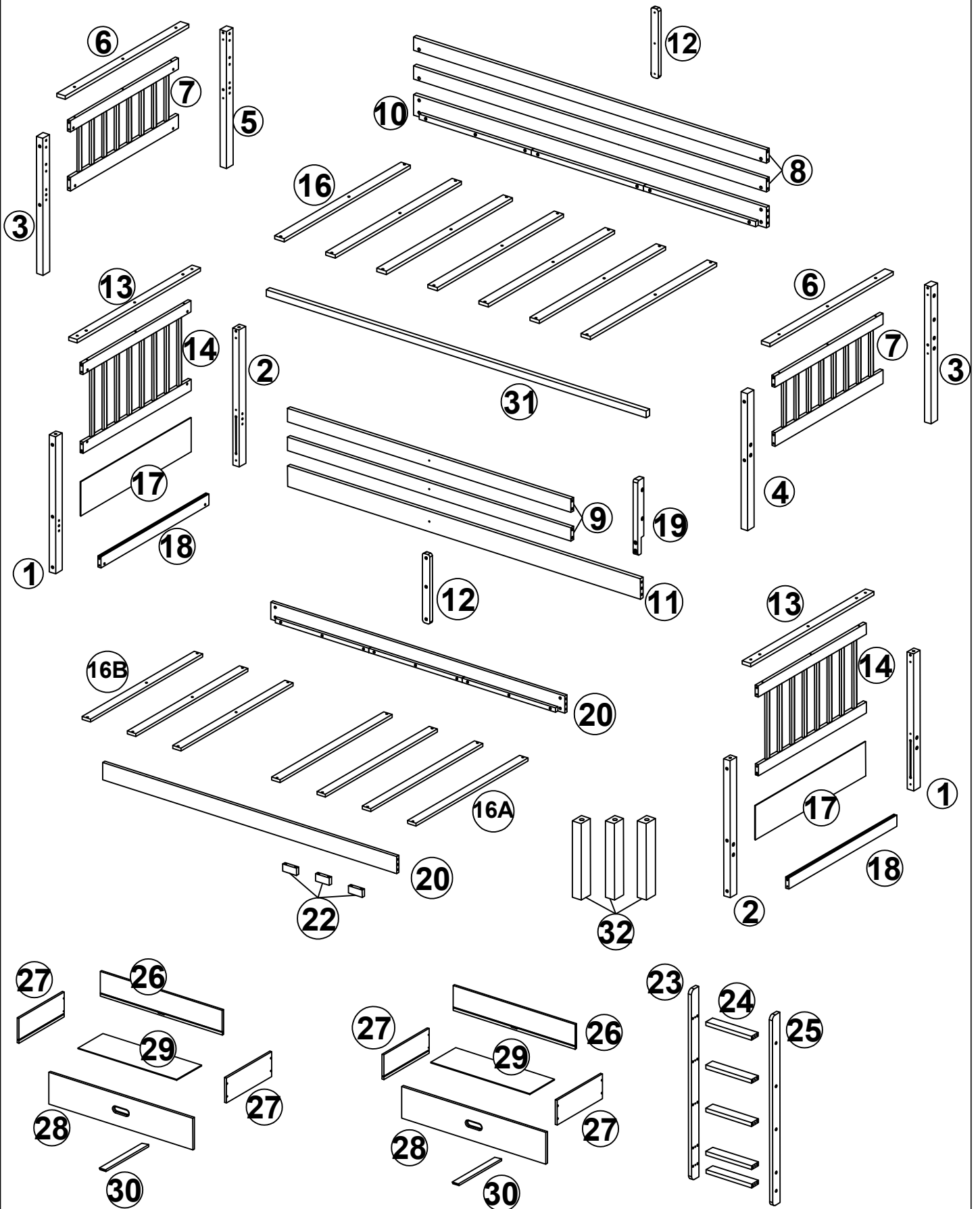
---

1. This bed is designed for use only mattress(es) meeting the following specifications on the upper bunk, and lower bunk:

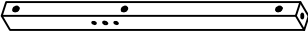
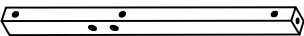


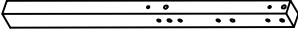
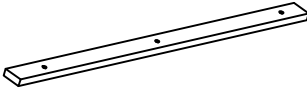
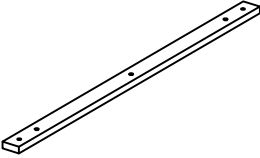
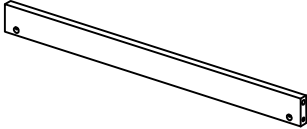
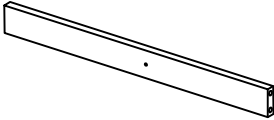
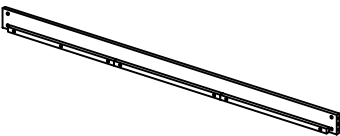
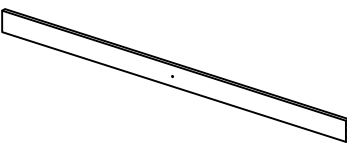


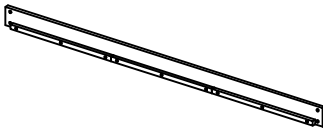
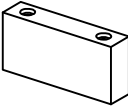
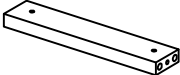
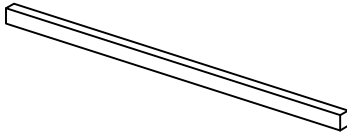
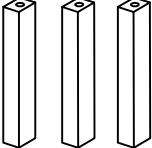
<b>Bed type</b>	<b>Length</b>	<b>Width</b>	<b>Thickness</b>
<b>Twin Standard</b>	<b>74" - 75"</b>	<b>38 1/ 2"</b>	<b>6"</b>
<b>Full Standard</b>	<b>74" - 75"</b>	<b>53 1/ 2"</b>	<b>6"</b>

2. Replacement parts, including additional guardrails, may be obtained from any of our ( GIGACLOUD TECHNOLOGY (USA) INC.) dealers
3. Follow the information on the warnings appearing on the upper bunk bed end structure and on the carton. Do not remove warning label from bed.
4. Always use the recommended size mattresses or mattress supports, or both, to help prevent the likelihood of entrapment or falls.
5. Surface of the mattress must be at least 5 in. (127 mm) below the upper edge of guardrails.
6. Do not allow children under 6 years of age to use the upper bunk.
7. Periodically check and ensure that the guardrail, ladder, and other components are in their proper position, free from damage, and that all connectors are tight.
8. Do not allow horseplay on or under the bed and prohibit jumping on the bed
9. Always use the ladder for entering and leaving the upper bunk.
10. Do not use substitute parts. Contact the manufacturer or dealer for replacement parts.
11. Use of a night light may provided added safety precaution for a child using the upper bunk.
12. Always use guardrails on both long sides of the upper bunk. If the bunk bed will be placed next to the wall, the guardrail that runs the full length of the bed should be placed against the wall to prevent entrapment between the bed and wall.
13. The use of water or sleep flotation mattresses is prohibited.
14. STRANGULATION HAZARD – Never attach or hang items to any part of the bunk bed that are not designed for use with the bed; for axample, but not limited, hook, belts and jump ropes.
15. Keep these instructions for future reference
16. Prohidit more than one person on upper bunk .
17. We recommend assembling your bunk bed on the shipping carton to protect your floor or carpet .
18. Be caertain all staples are out of the box before beginning assembly on the shipping carton .

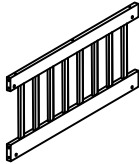
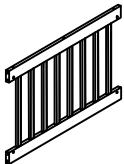
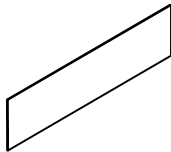
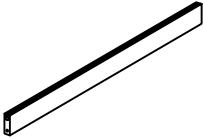
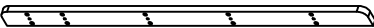
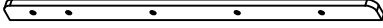
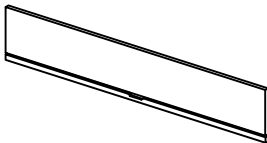
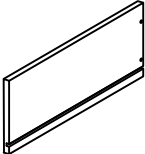
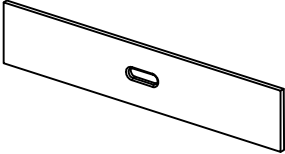
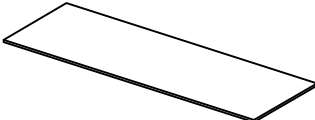
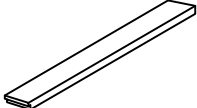
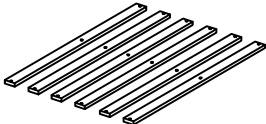
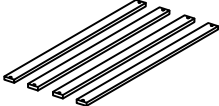
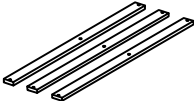
# Detail View



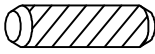

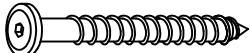




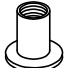


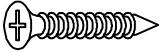
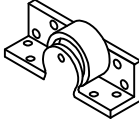
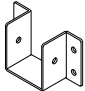
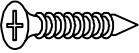
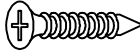
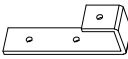
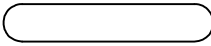
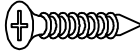
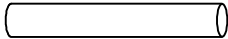
# Part List

<b>1</b> 	<b>2</b> 	<b>3</b> 
Lower leg HB-FB (Left)-2pcs	Lower leg HB-FB (Right)-2pcs	Upper leg HB&FB (L/R)-2pcs
<b>4</b> 	<b>5</b> 	<b>6</b> 
Upper leg FB (Right)-1pc	Upper leg HB (Right)-1pc	Cap for upper HB&FB-2pcs
<b>13</b> 	<b>8</b> 	<b>9</b> 
Cap for lower HB&FB-2pcs	Long guard rail-2pcs	Short guard rail-2pcs
<b>10</b> 	<b>11</b> 	<b>12</b> 
Side rail upper (Back) -1pc	Side rail upper (Front) -1pc	Vertical guard rail - 2pcs
<b>19</b> 	<b>20</b> 	<b>22</b> 
Support guard rail - 1pc	Side rail lower (B/F) - 2pcs	Wood block - 3pcs
<b>24</b> 	<b>31</b> 	<b>32</b> 
Step ladder - 5pcs	Center support rail-1pc	Center leg - 3pcs

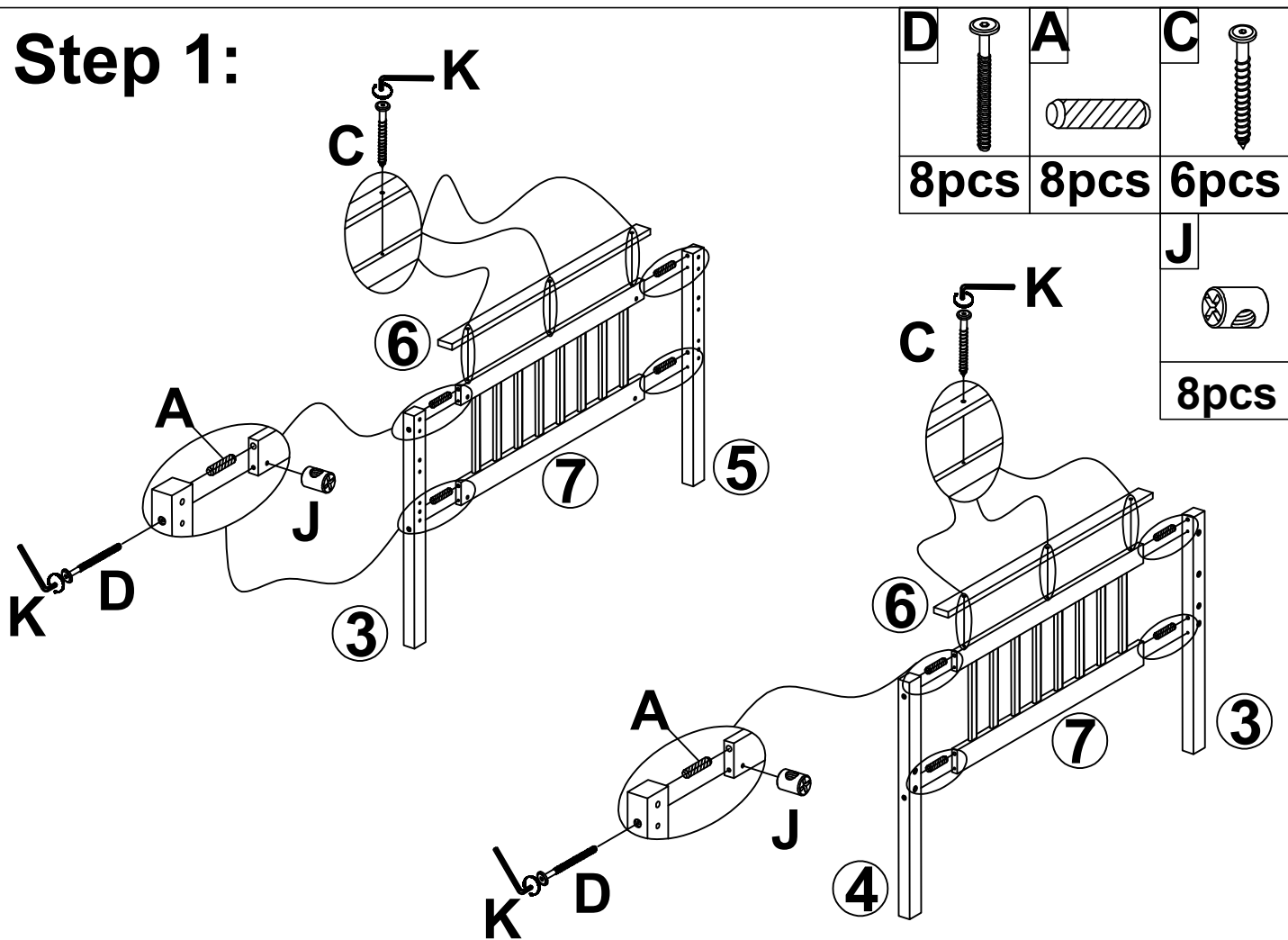
# Part List

<b>7</b> 	<b>14</b> 	<b>17</b> 
Upper HB & FB - 2pcs	Lower HB/FB - 2pc	Side panel - 2pcs
<b>18</b> 	<b>23</b> 	<b>25</b> 
Horizontal bar - 2pcs	Ladder (Left) - 1pc	Ladder (Right) - 1pc
<b>26</b> 	<b>27</b> 	<b>28</b> 
Drawer back - 2pcs	Drawer (L/R) - 4pcs	Drawer front - 2pcs
<b>29</b> 	<b>30</b> 	<b>16</b> 
Drawer botton - 2pcs	Center support drawer-2pcs	Slats 3 hole - 7pcs
<b>16A</b> 	<b>16B</b> 	
Slats 2 hole - 4pcs	Slats 3 hole catch extra legs - 3pcs	

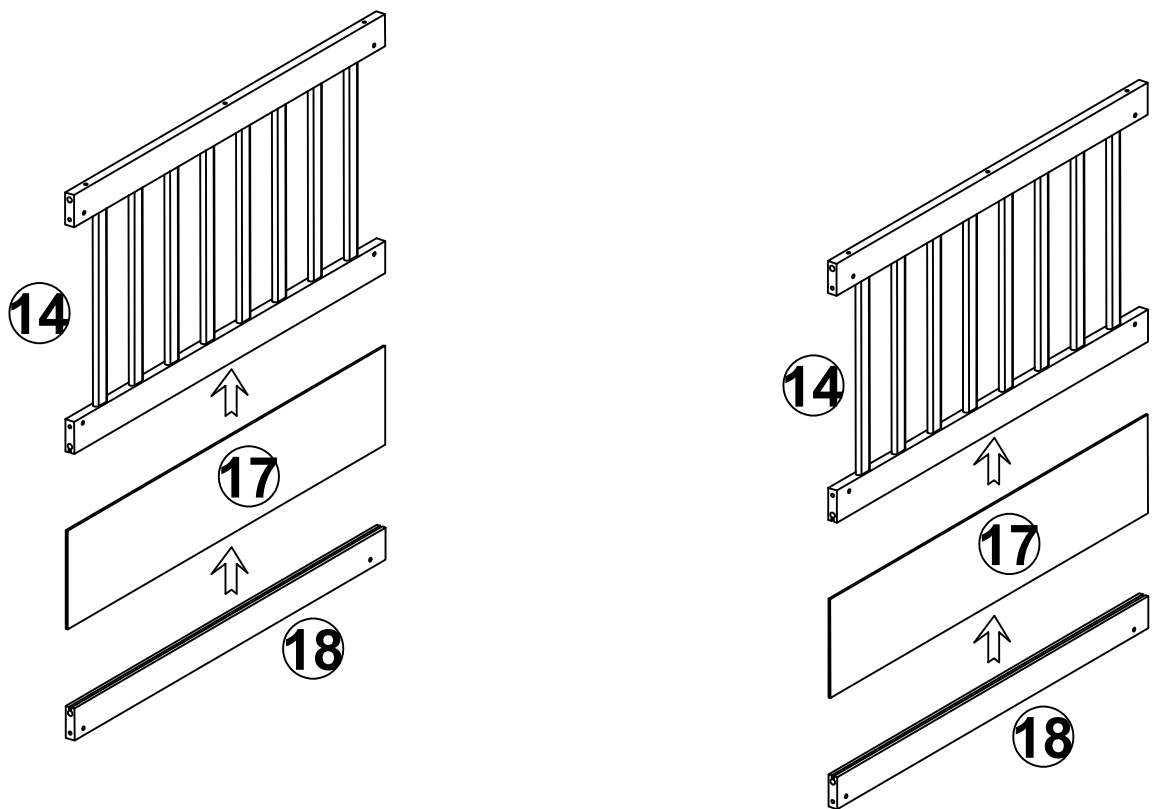
# Hardware List

<b>A</b>  Ø10*30mm	<b>B</b>  Ø6*30mm	<b>C</b>  Ø6*50mm
Wood dowel (56pcs)	Hex-Head screw (6pcs)	Hex-Head screw (12pcs)
<b>D</b>  Ø1/4"*100mm	<b>E</b>  Ø1/4"*80mm	<b>F</b>  Ø1/4"*65mm
Hex-Head screw (20pcs)	Hex-Head bolt (22pcs)	Hex-Head bolt (12pcs)
<b>G</b>  Ø1/4"*30mm	<b>H</b>  Ø1/4"	<b>J</b>  Ø1/4"*9.5*12mm
Hex-Head bolt (5pcs)	Nut (2pcs)	Horizontal-Hole bolt (54pcs)
<b>K</b>  K4mm	<b>L</b>  #4*30mm	<b>M</b>  Ø35mm
Allen key (1pc)	Screw (57pcs)	Small Wheel (8pcs)
<b>N</b>  75*40*25mm	<b>U</b>  #4*15mm	<b>P</b>  #3.5*12mm
U bracket (2pcs)	Screw (12pcs)	Screw (20pcs)
<b>Q</b>  Hook (4pcs)	<b>R</b>  90*17*2mm	<b>T</b>  #4*20mm
Hook (4pcs)	Foam stick (4pcs)	Screw (12pcs)
<b>W</b>  Ø10*90mm <b>Metal dowel (4pcs)</b>		

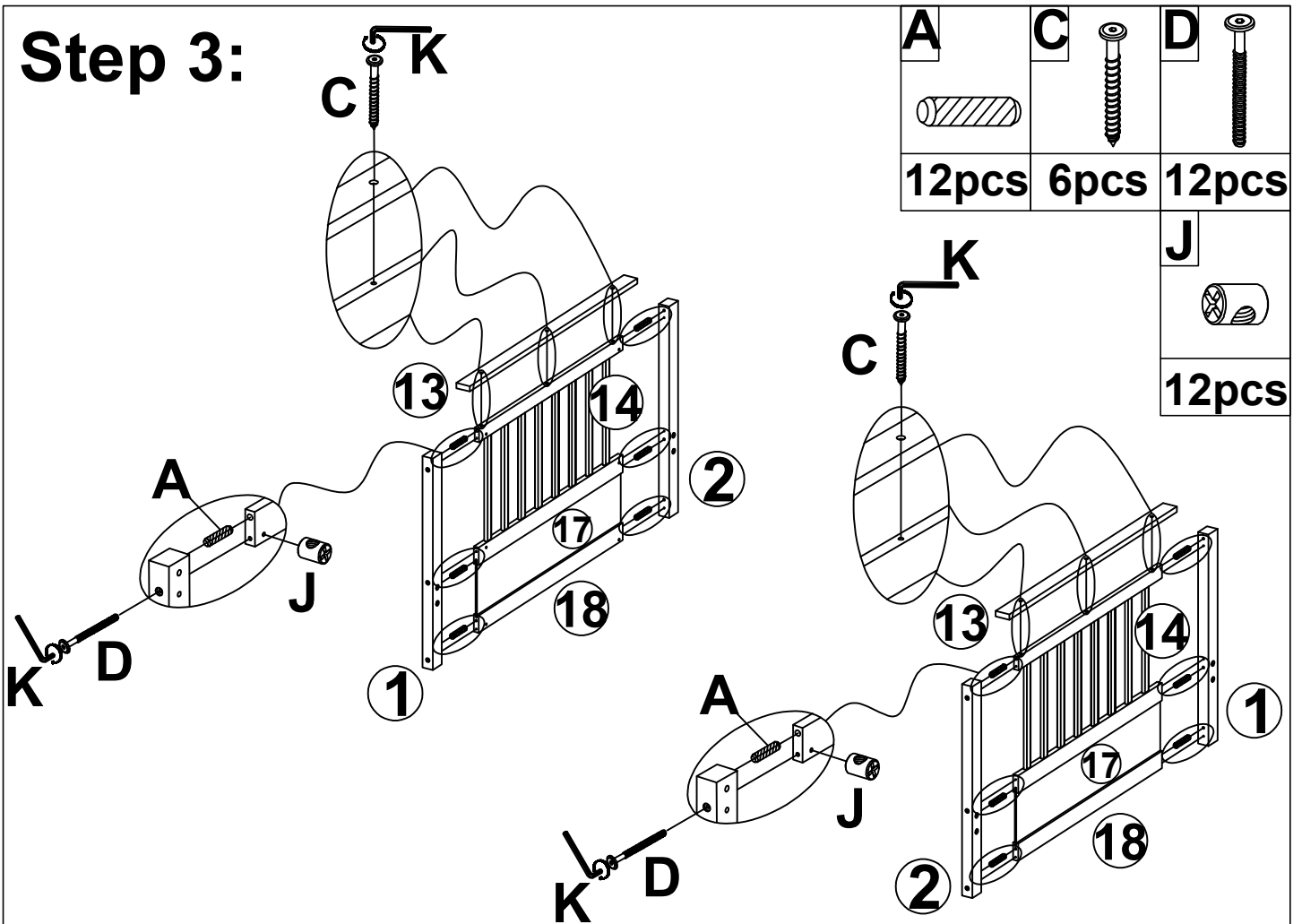
# Step 1:



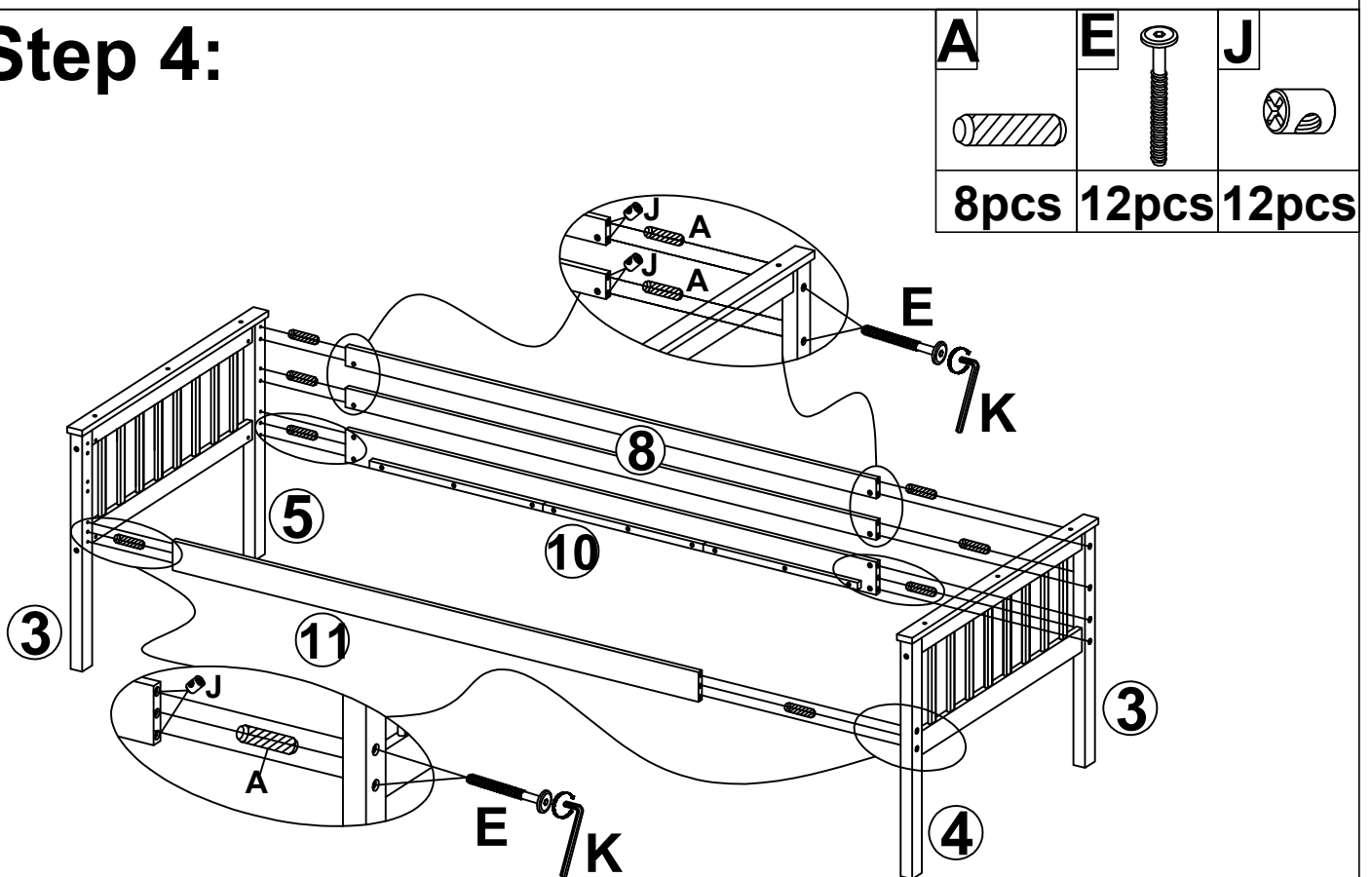
# Step 2:



### Step 3:



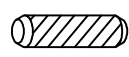


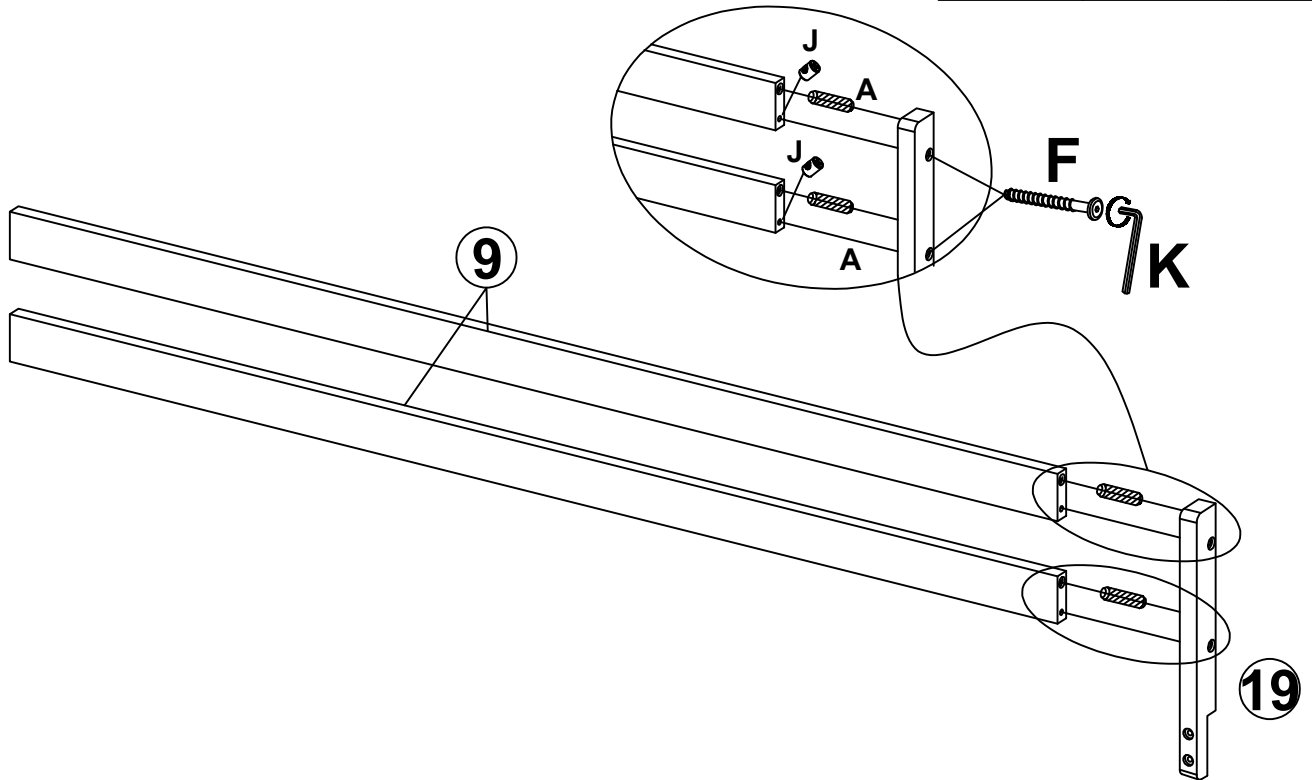
### Step 4:




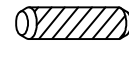

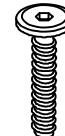

**ATTENTION: PLEASE DON'T TIGHTEN ALL BOLTS IN THIS STEP, JUST TIGHTEN 80%**

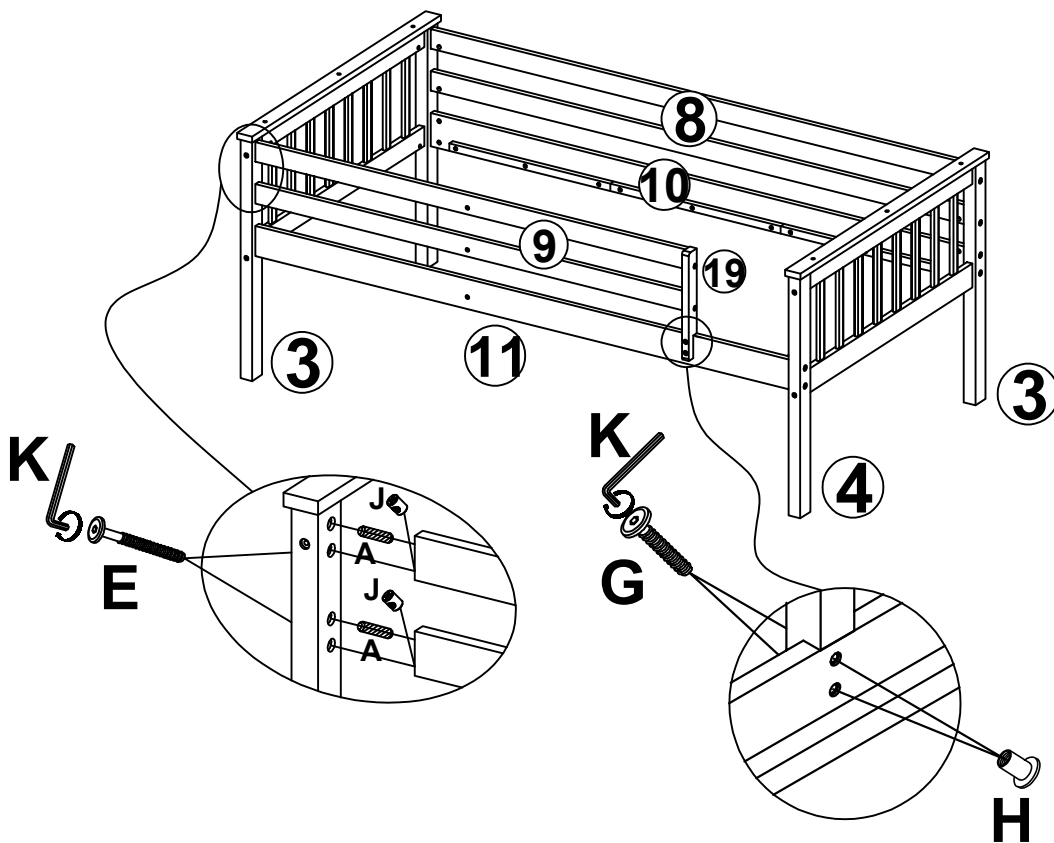
# Step 5:

<b>J</b>	<b>A</b>	<b>F</b>	
			
<b>2pcs</b>	<b>2pcs</b>	<b>2pcs</b>	

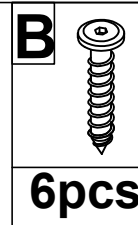
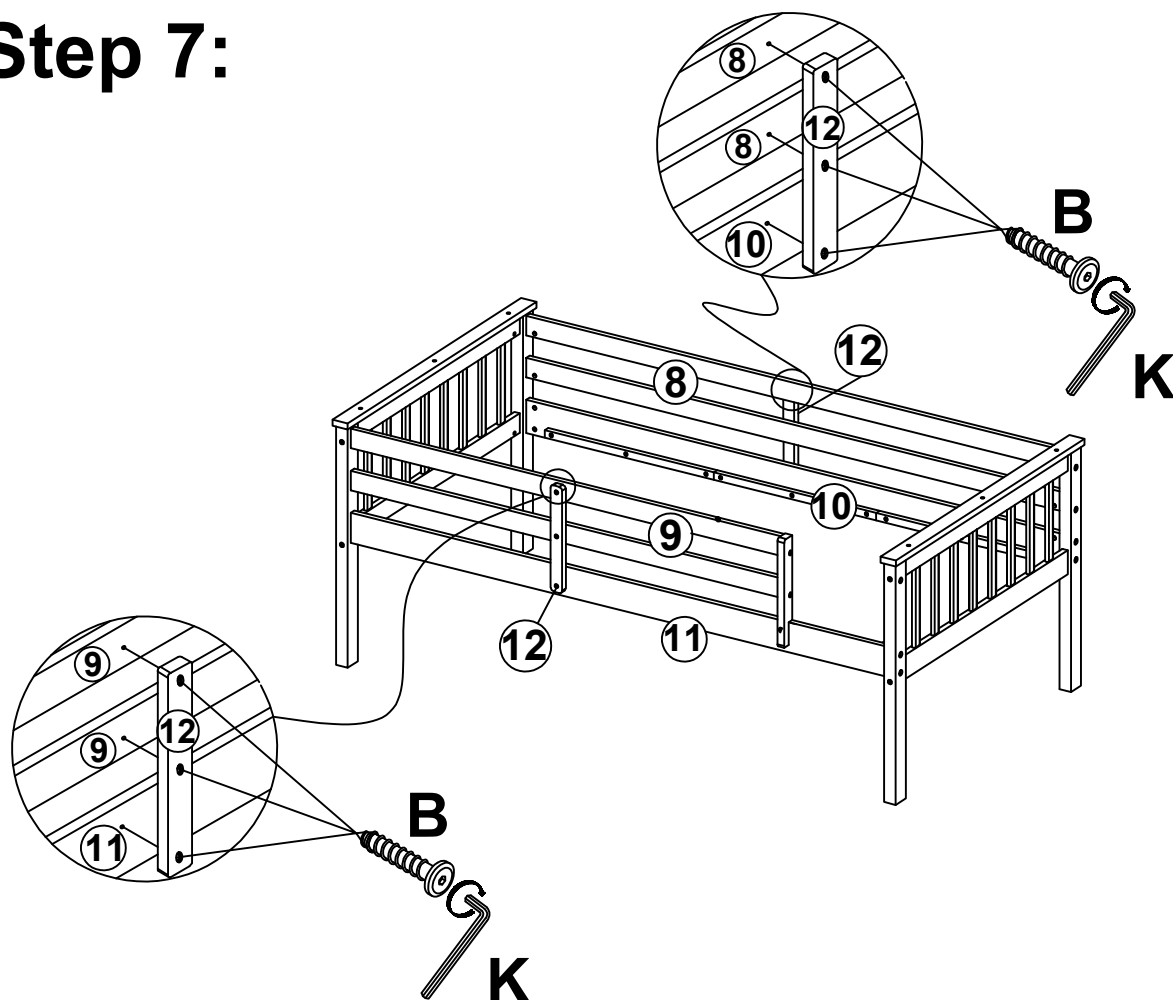


# Step 6:

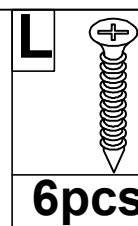
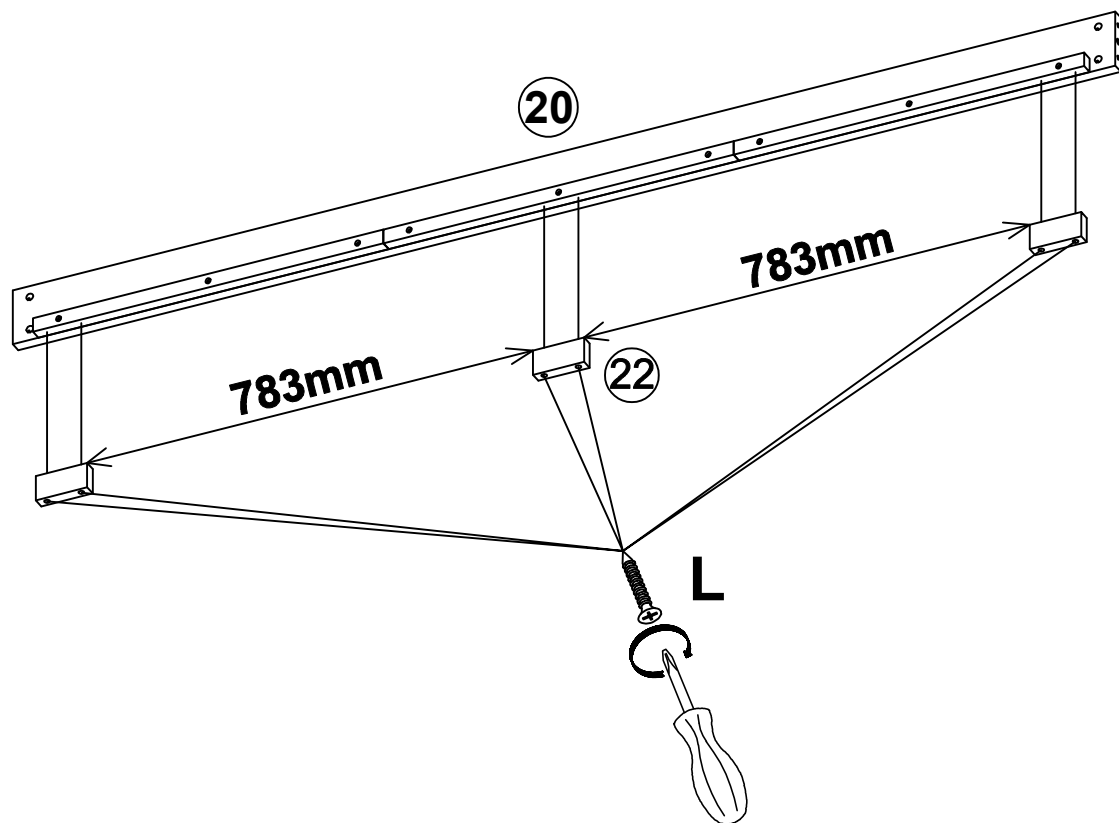
<b>A</b>	<b>E</b>	
		
<b>2pcs</b>	<b>2pcs</b>	
<b>G</b>	<b>H</b>	
		
<b>2pcs</b>	<b>2pcs</b>	
	<b>J</b>	
		<b>2pcs</b>



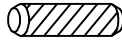


# Step 7:

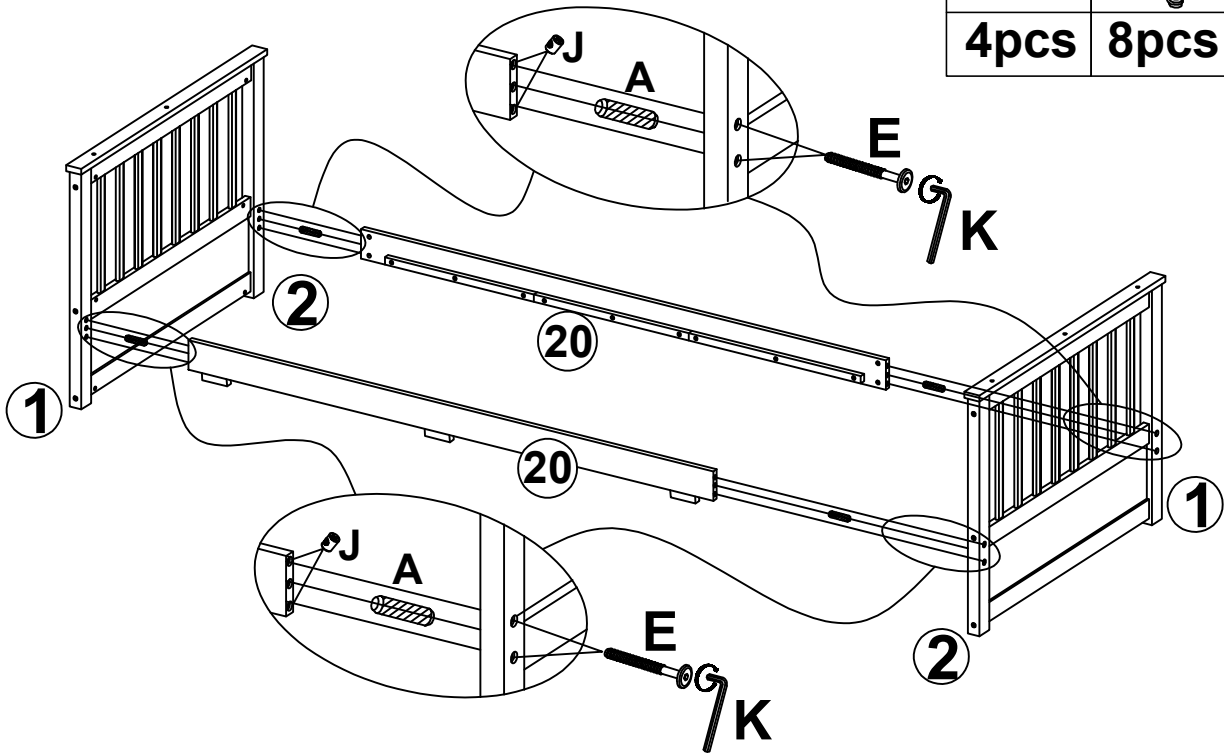


# Step 8:




# Step 9:

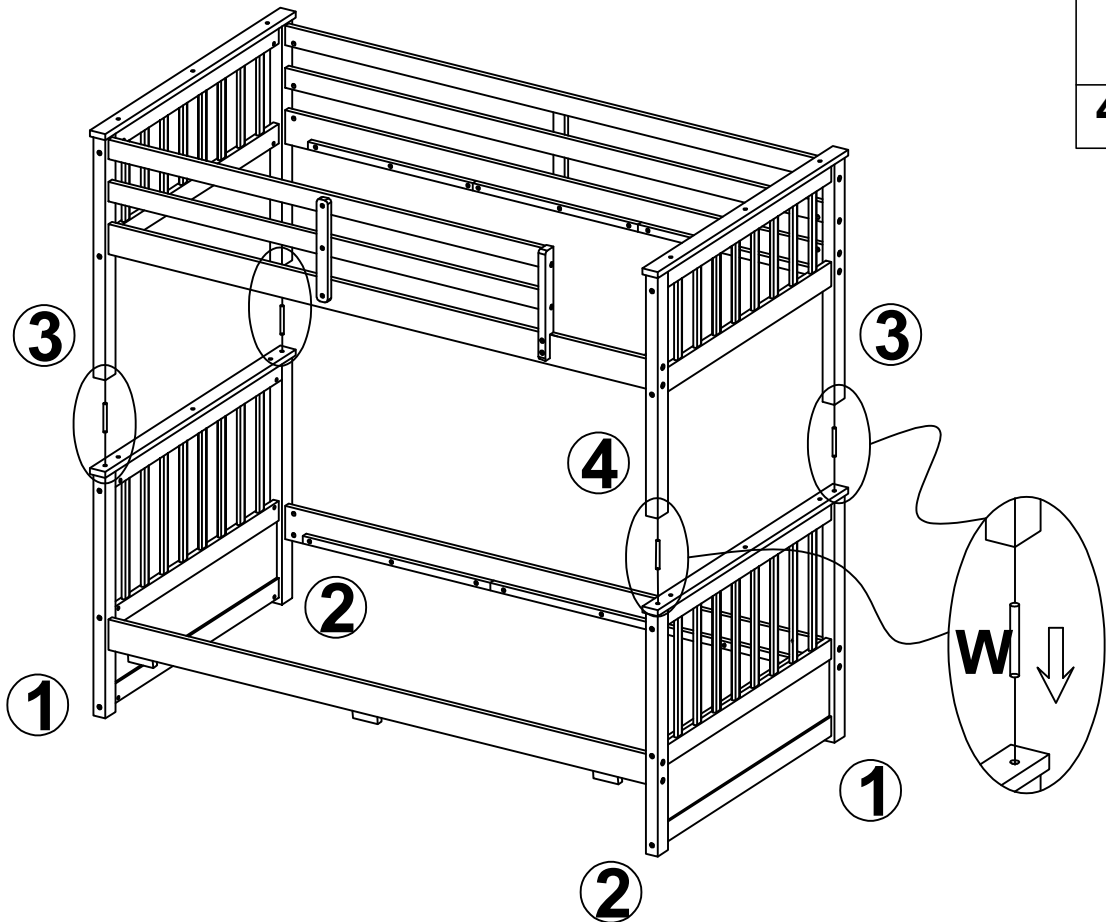
<b>A</b>	<b>E</b>	<b>J</b>
		
4pcs	8pcs	8pcs





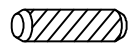
**ATTENTION: PLEASE DON'T TIGHTEN ALL BOLTS IN THIS STEP, JUST TIGHTEN 80%**

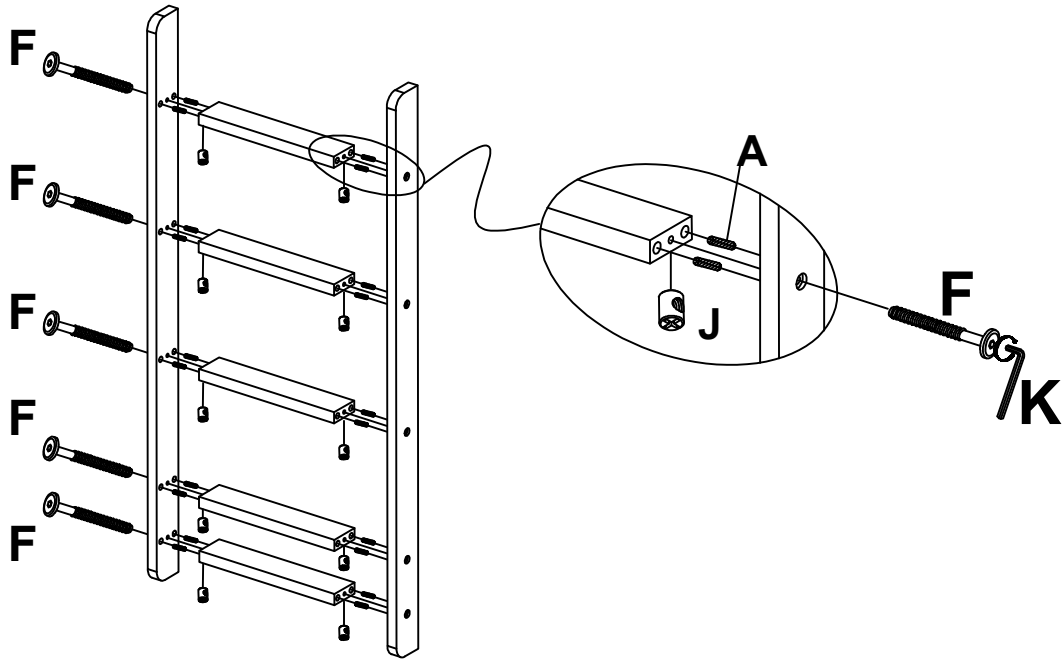
# Step 10:

<b>W</b>	
4pcs	


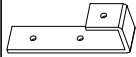



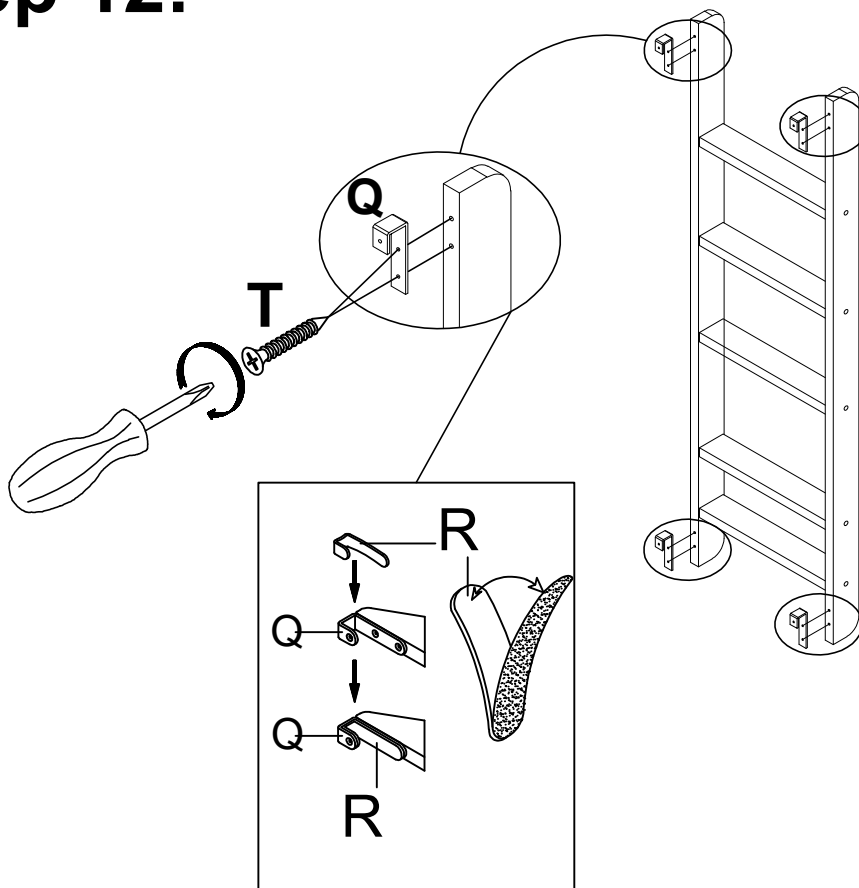
# Step 11:

<b>J</b>	<b>A</b>	<b>F</b>	
			
<b>10pcs</b>	<b>20pcs</b>	<b>10pcs</b>	

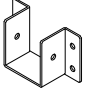
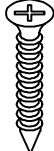



# Step 12:

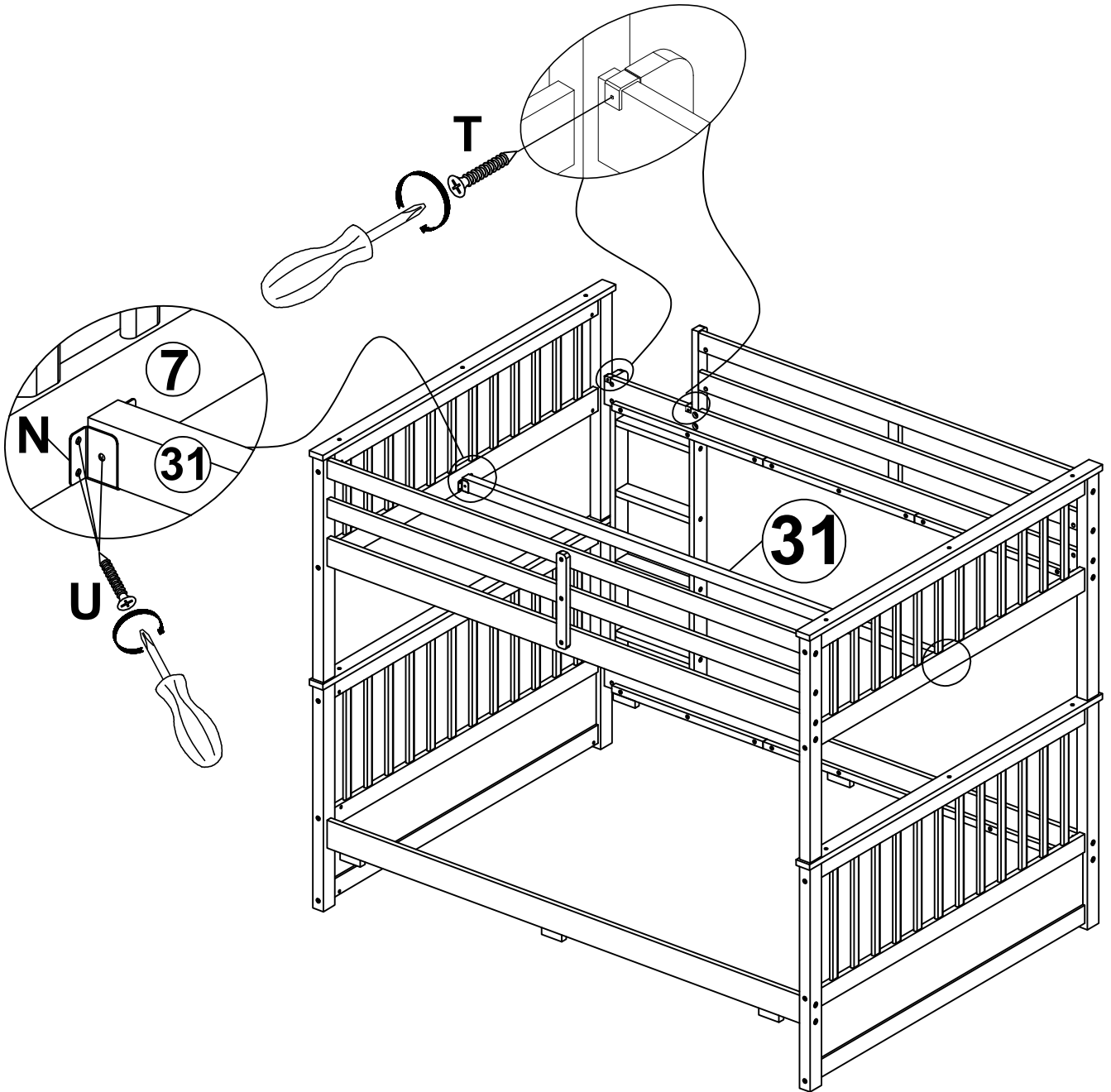
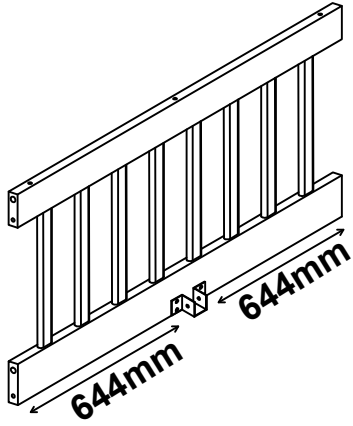
<b>Q</b>	<b>T</b>	
		
<b>4pcs</b>	<b>8pcs</b>	
	<b>R</b>	
	<b>4pcs</b>	



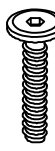
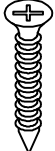
# Step 13:

<b>N</b> 	<b>T</b> 	<b>U</b> 
2pcs	4pcs	12pcs

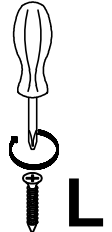
7



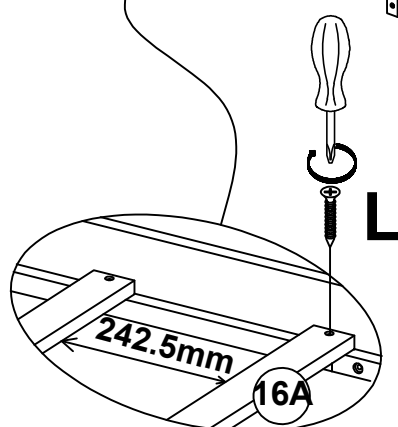
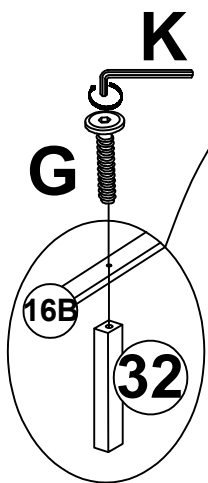
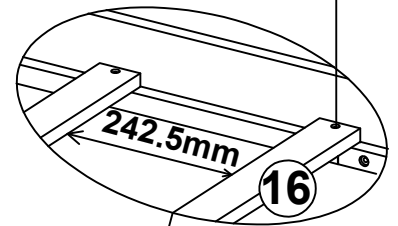
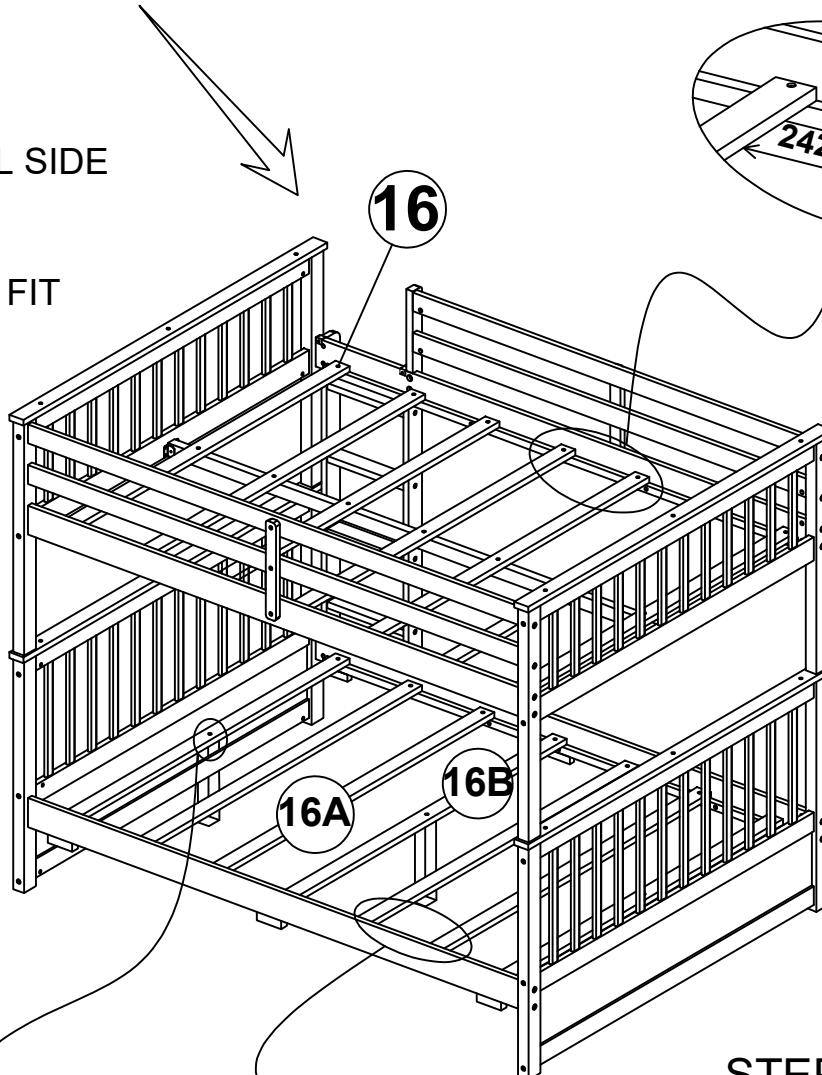
# Step 14:

<b>G</b>		<b>L</b>	
<b>3pcs</b>		<b>35pcs</b>	

STEP 2: SCREW  
ALL SLATS

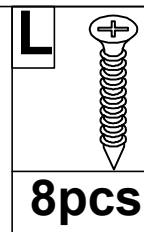
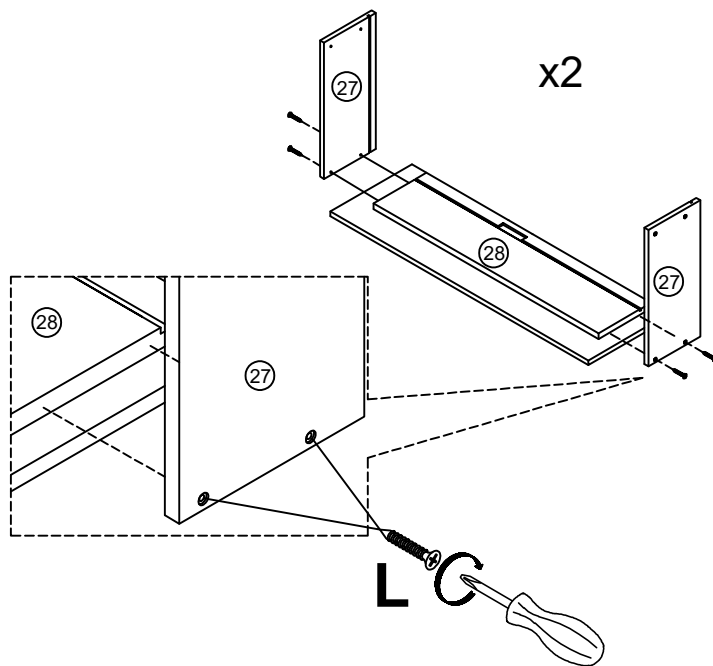


STEP 1: PULL SIDE  
RAIL CLOSE  
TOGETHER  
ENOUGH TO FIT  
THE SLATS

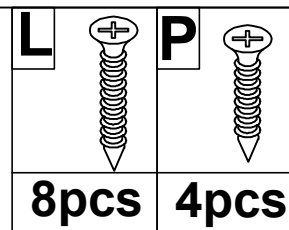
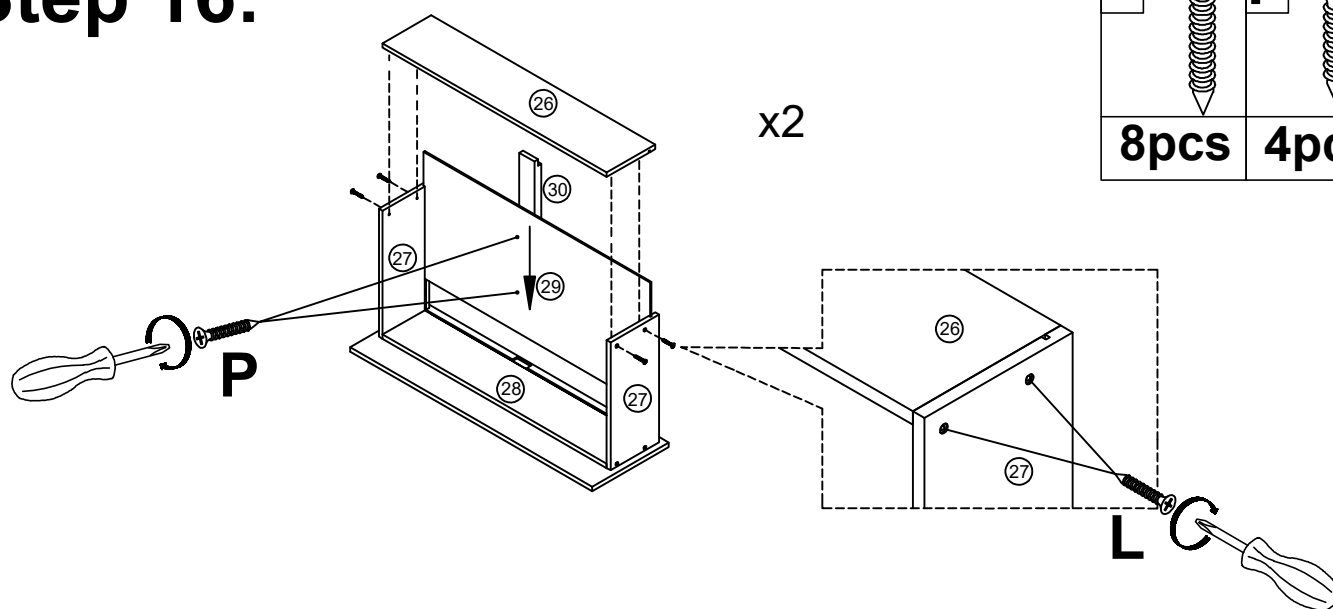


STEP 3: TIGHTEN  
100% ALL  
HEXAGON BOLTS

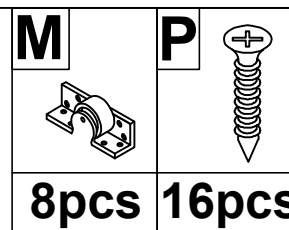
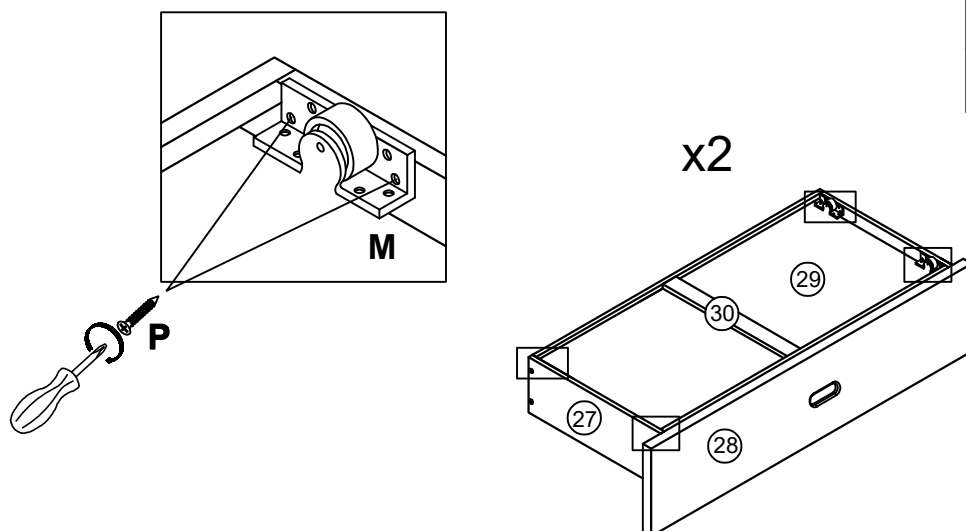
# Step 15:



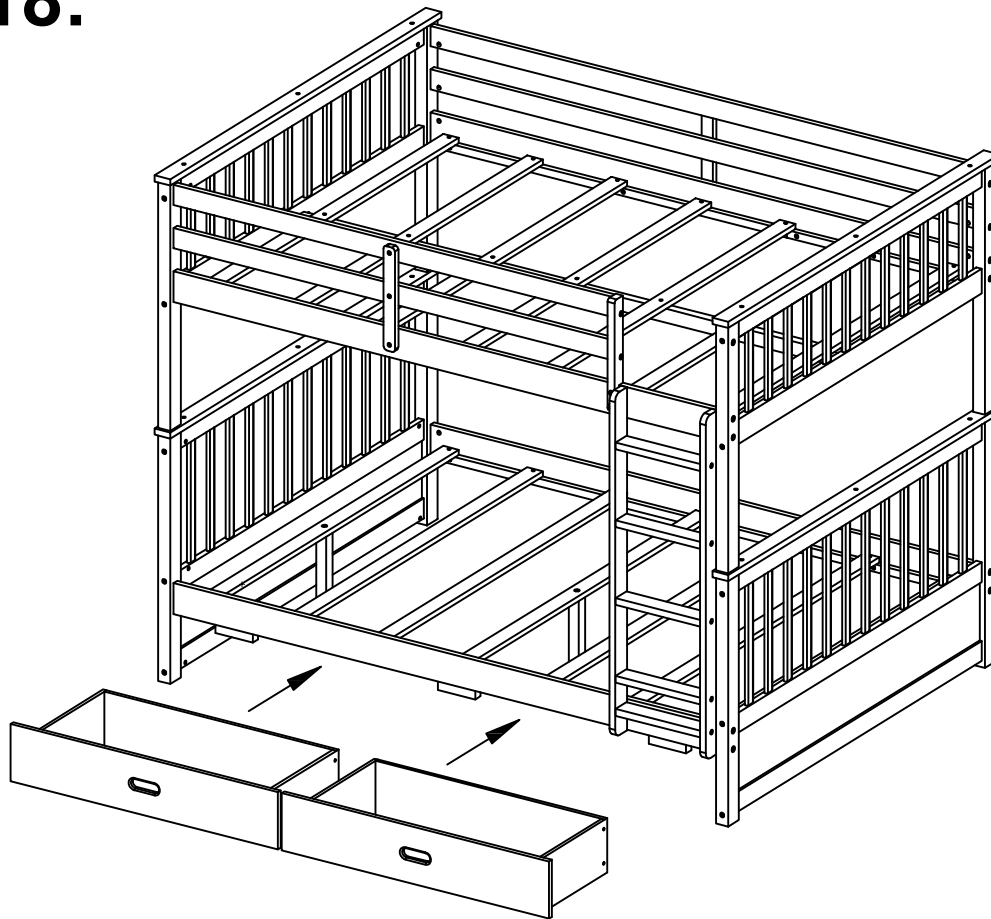
# Step 16:



# Step 17:



# Step 18:



# COMPLETED

