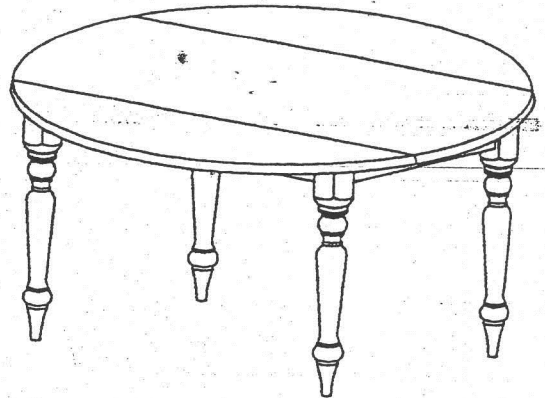


ASSEMBLY INSTRUCTIONS

40" DOUBLE DROP LEAF TABLE

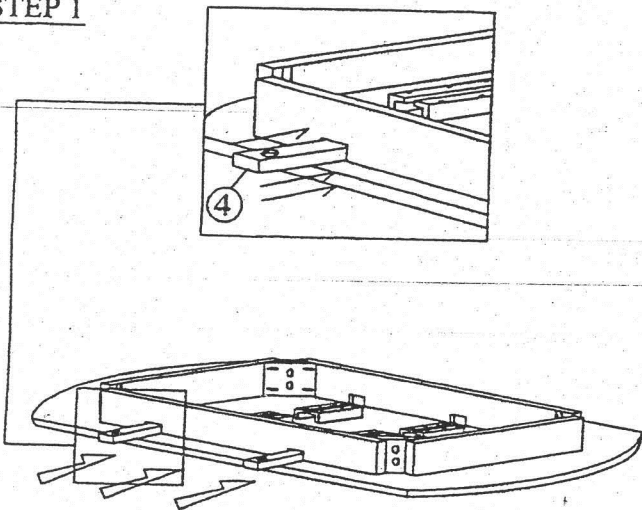
- * PLACE ALL WOODEN PARTS ON A CLEAN AND SMOOTH SURFACE SUCH AS A RUG OR CARPET TO AVOID THE PARTS FROM BEING SCRATCHED.
- * BEFORE YOU BEGIN, KINDLY FOLLOW THE ASSEMBLY INSTRUCTIONS STEP BY STEP.
- * DO NOT TIGHTEN ALL SCREWS UNTIL THE PRODUCT IS FULLY SET-UP.

PARTS LIST			HARDWARE LIST		
NO	DESCRIPTION	QTY	NO	DESCRIPTION	QTY
1	TABLE TOP 26" X 40"	1PC	A	JCBC BOLT M6 X 60MM	8PCS
2	LEAF TOP	2PCS	B	FLAT WASHER	8PCS
3	TABLE LEG	4PCS	C	SPRING WASHER	8PCS
4	RUNNER RAIL	4PCS	D	M4 ALLEN KEY	1PC
			E	M3.5 X 16mm CHIPBOARD SCREW	12PCS

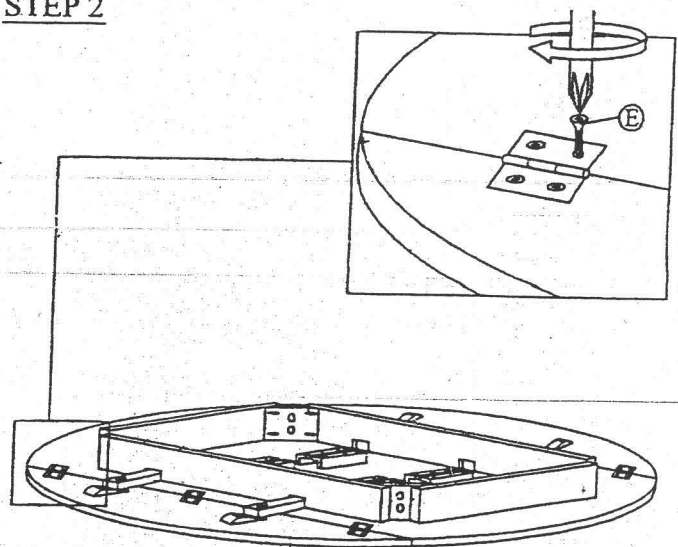


Fully Set-Up

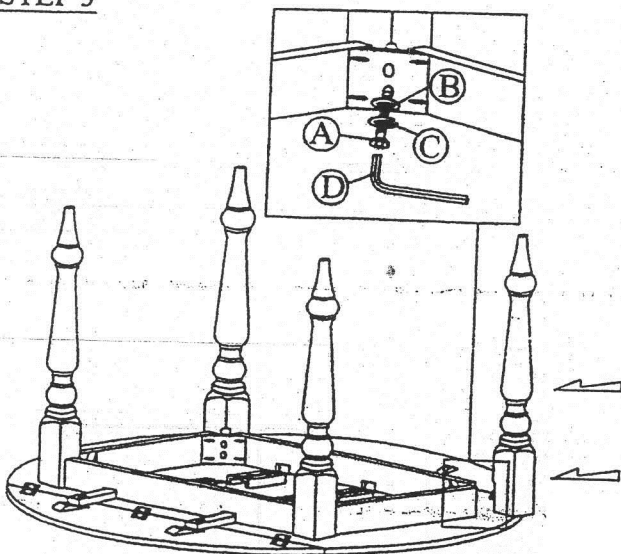
STEP 1



STEP 2



STEP 3



STEP 4

