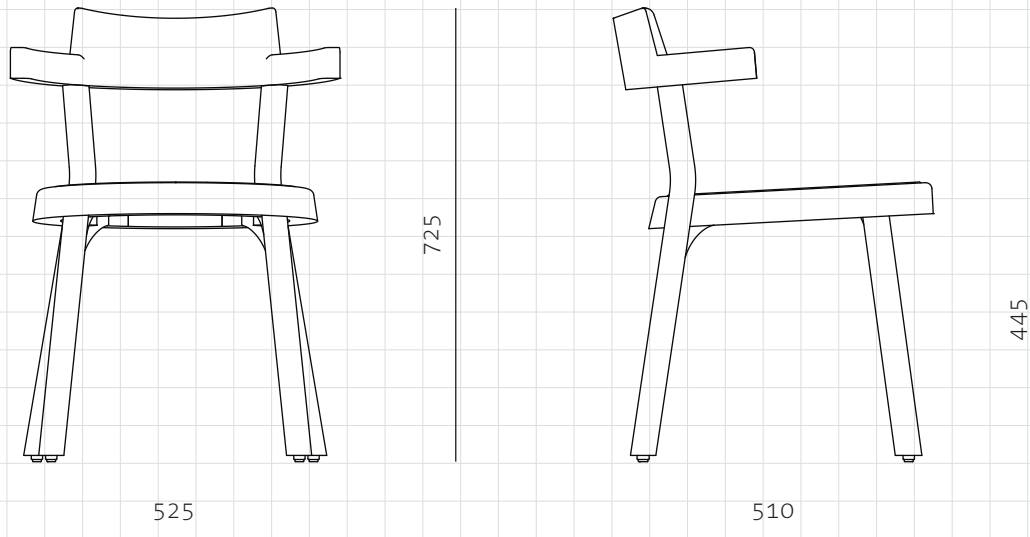


Pagoda Chair Cane - Wood Leg



**CODE**  
**DIMENSIONS**

PA-S220-WD  
W525 x D510 x H725mm  
Seating height: 445mm

**NET WEIGHT**  
**ENVIRONMENT**  
**MATERIALS**

5.5 kg  
Indoor  
Solid wood frame, cane, aluminum alloy  
\*Please refer to website or contact your local representative for complete material swatches.

**SHIPPING**

<b>Package</b>	Knock Down		
<b>Package Qty</b>	1 pcs/box		
<b>Packaging</b>	<b>Measurement (mm)</b>	<b>Volume (cbm)</b>	<b>Gross Weight (kg)</b>
<b>FCL</b>	W705 x D567 x H155	0.06	7.05
<b>LCL/AIR</b>	W745 x D607 x H245	0.11	12.31