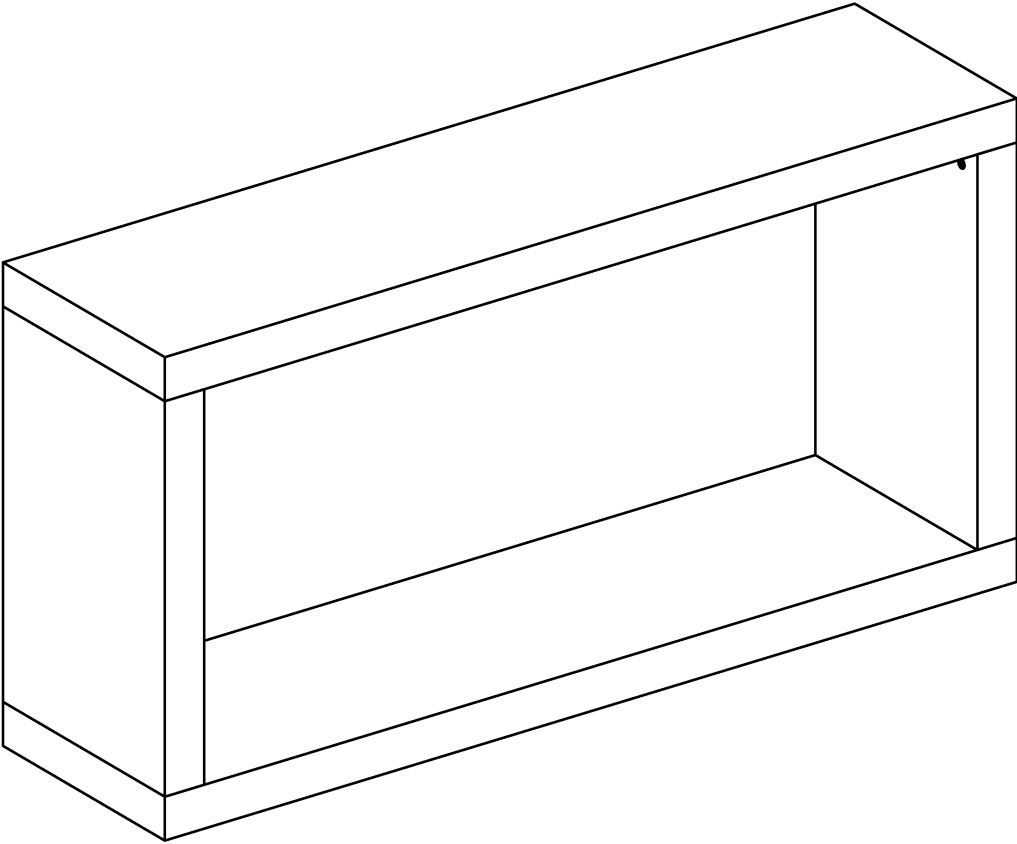


ASSEMBLY INSTRUCTIONS

Console Table



ASSEMBLY INSTRUCTIONS

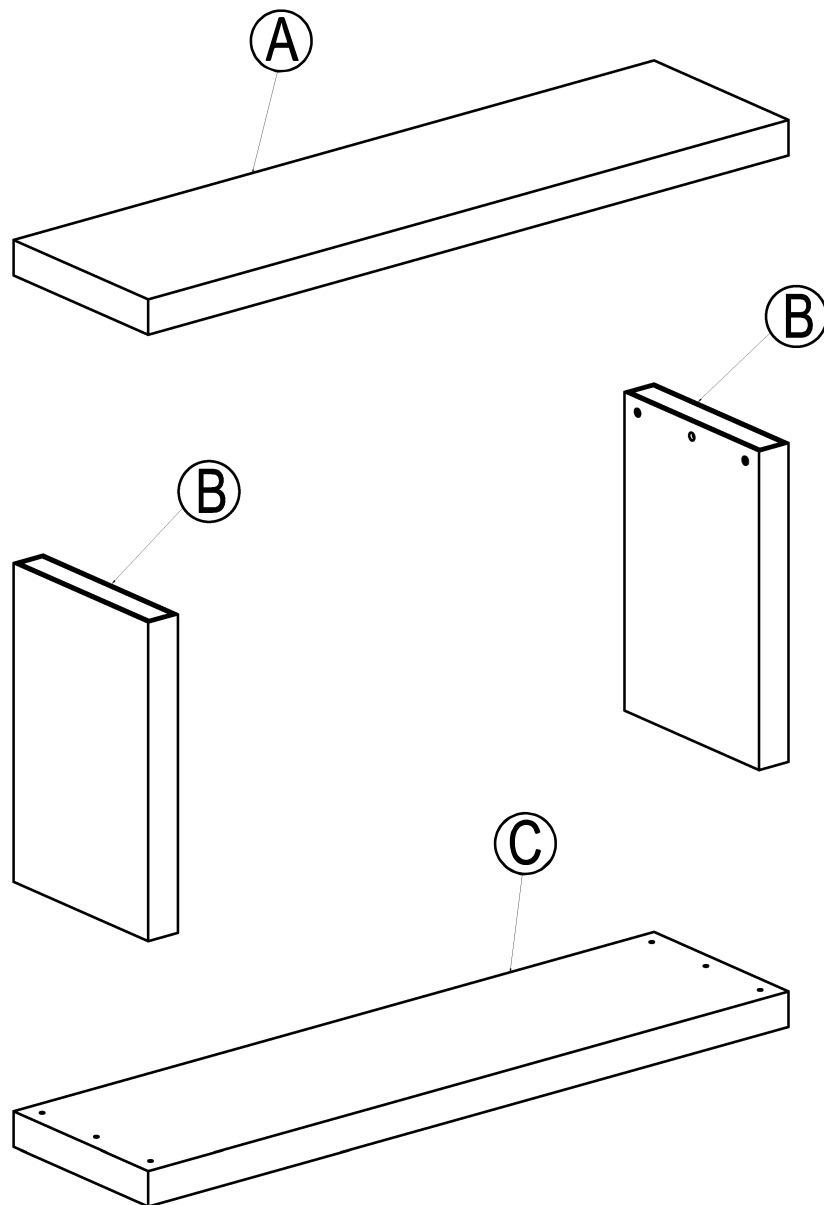
Please read these instructions fully before starting assembly:

1. Place all wooden parts on a clean and smooth surface such as a rug or carpet to avoid scratching the parts.
2. Kindly follow the assembly instructions step by step.
3. Do not tighten all screws and bolts until the stool is fully assembled.
4. Unscrew the protective plastique supports from the metal insert of the table legs before assembly.
5. Parts of the assembly will be easier with 2 people.

Care and maintenance:

Only clean using a damp cloth and mild detergent, do not use bleach or abrasive cleaners.

ASSEMBLY INSTRUCTIONS



ASSEMBLY INSTRUCTIONS

Part List

Ⓐ

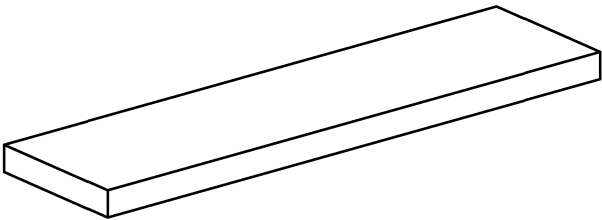
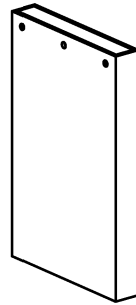


TABLE TOP (1 pc)

Ⓑ



LEG (2 pcs)

Ⓒ

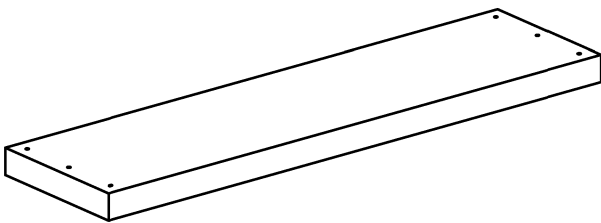
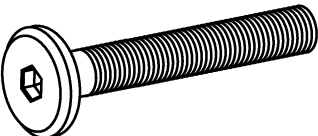

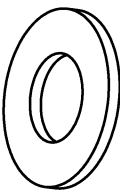

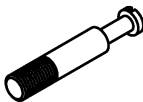



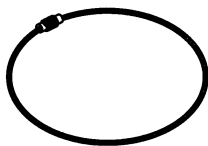




TABLE BOTTOM (1 pc)

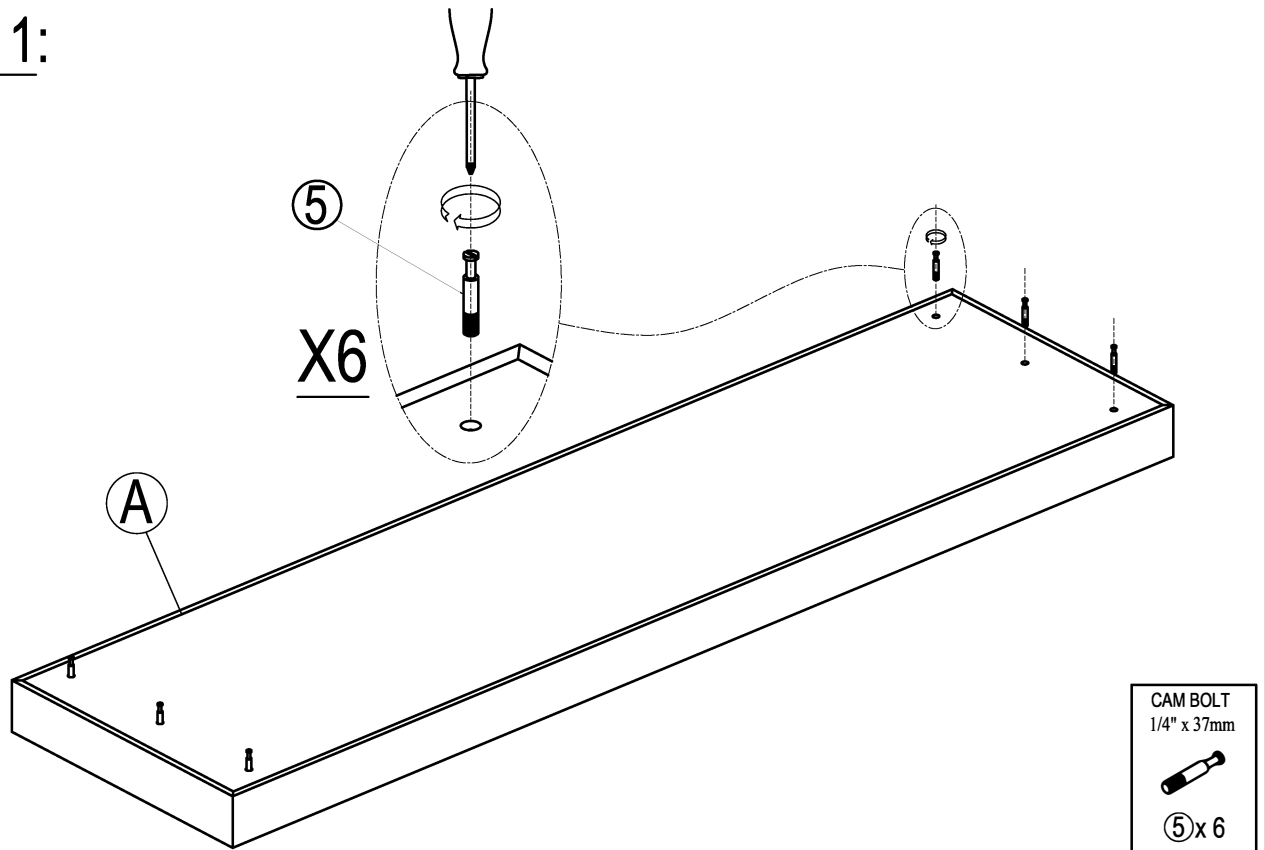
ASSEMBLY INSTRUCTIONS

Hardware List

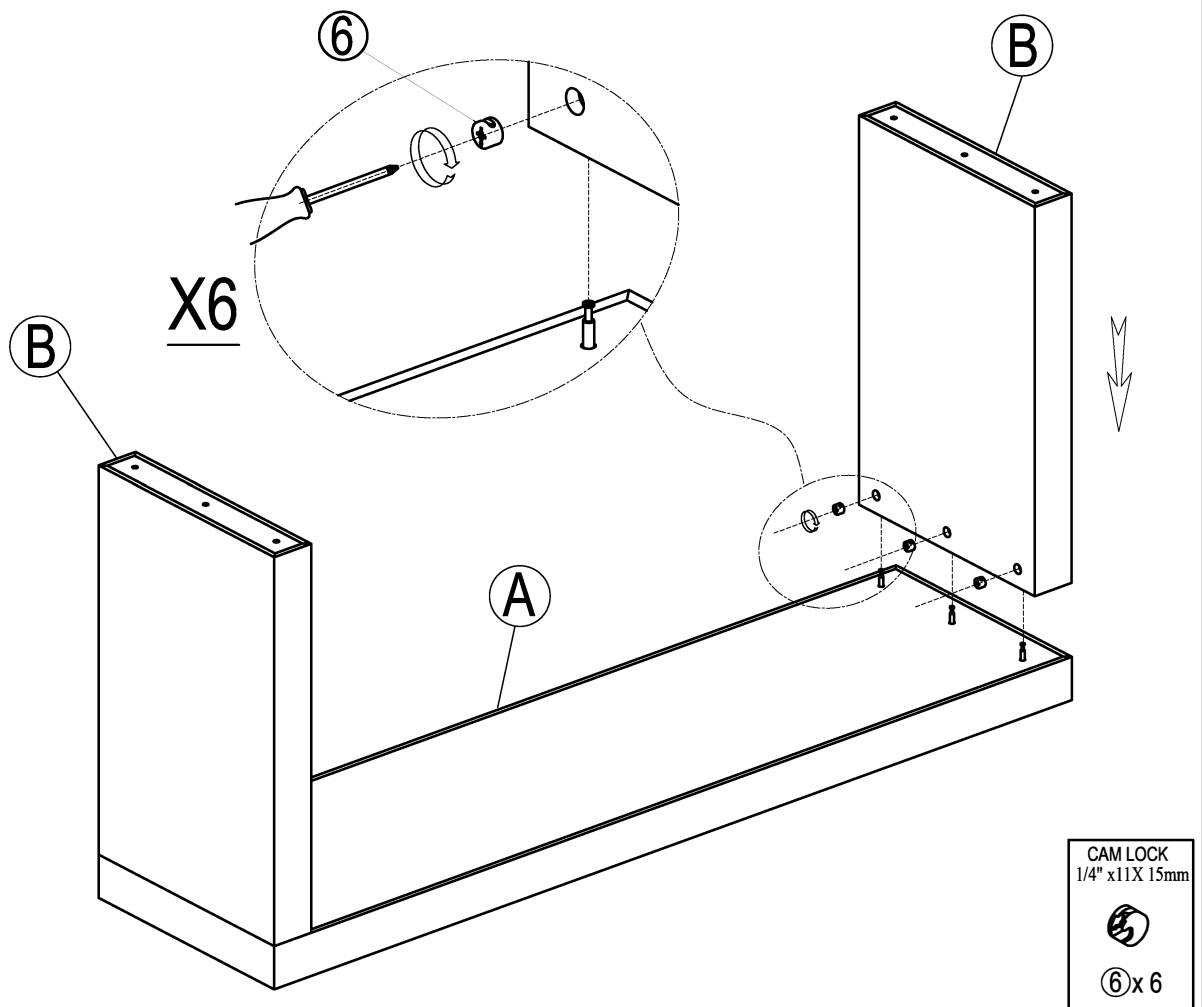
<p>①</p>  <p>Ø 5/16" x 60 mm</p>	<p>②</p>  <p>Ø5/16" x 13 mm</p>
<p>BOLT (6 pcs)</p>	<p>LOCK WASHER (6 pcs)</p>
<p>③</p>  <p>Ø5/16" x 19 x 2 mm</p>	<p>④</p>  <p>4 mm</p>
<p>FLAT WASHER (6 pcs)</p>	<p>ALLEN KEY (1 pc)</p>
<p>⑤</p>  <p>1/4" x 37mm</p>	<p>⑥</p>  <p>1/4" x 11X 15mm</p>
<p>CAM BOLT (6 pcs)</p>	<p>CAM LOCK (6 pcs)</p>
<p>⑦</p> <p>Ax2 Cx2 Ex2</p>    <p>Bx4 Dx2</p>  	
<p>ANTI-PACKING KIT(2 SETS)</p>	

ASSEMBLY INSTRUCTIONS

STEP 1:

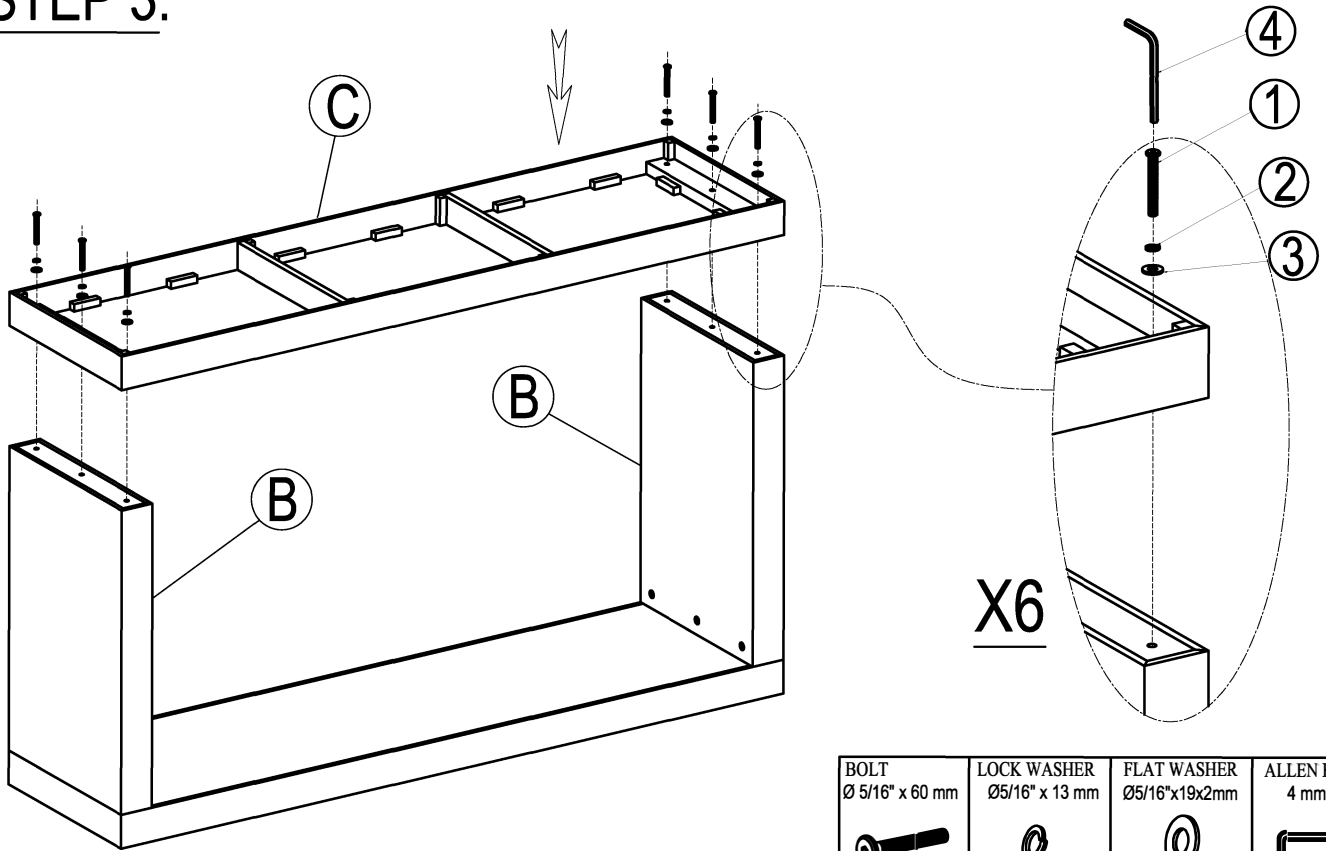





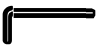
STEP 2:



ASSEMBLY INSTRUCTIONS

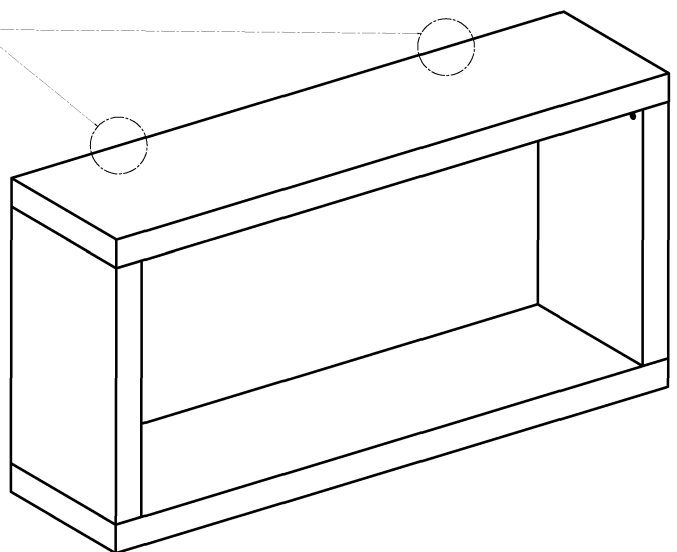
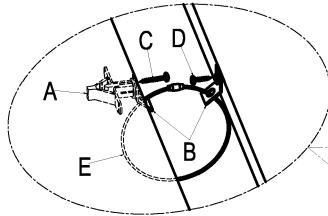
STEP 3:





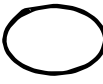


BOLT Ø 5/16" x 60 mm	LOCK WASHER Ø5/16" x 13 mm	FLAT WASHER Ø5/16"x19x2mm	ALLEN KEY 4 mm
			
① x 6	② x 6	③ x 6	④ x 1

STEP 4:

X2



⑦-A	⑦-B	⑦-C	⑦-D	⑦-E
				
2 pcs	4 pcs	2 pcs	2 pcs	2 pcs

COMPLETE