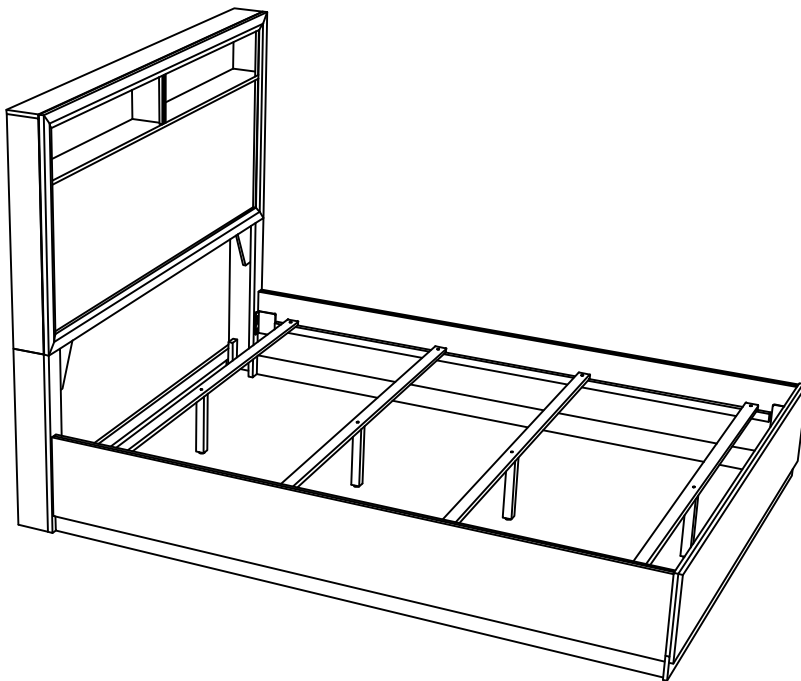


ASSEMBLY INSTRUCTIONS



TOOLS REQUIRED



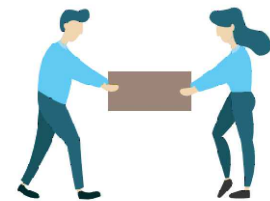
Allen Wrench

(Included)



Phillips
Screwdriver

(Not Included)



2 - Persons
Recommended

ASSEMBLY RATING



EASY ———▶ DIFFICULT

The Assembly Rating is a 5-point system showing the level of effort needed to assemble a specific product.

Thank you for your purchase!

We hope you enjoy this new addition to your home for many years to come. Our commitment to providing quality products does not simply end when you purchase our product. We fully stand behind our products from start to finish.



CHECK BEFORE STARTING

Are you missing anything?

Double-check all parts, hardware and accessories listed on Page 6 are accounted for.

Check out our Quick Tips!

We recommend reviewing the pre-assembly handouts. Even experts need a refresher now and then!

Prep Time!

Please review the assembly instructions and all diagrams prior to assembling. Arrange parts as recommended on Page 7 and group identical hardware together to make assembling easier.

PRE ASSEMBLY INTRODUCTION

We understand building ready-to-assemble furniture can be a challenging experience for some. To help avoid confusion, we have provided some helpful tips that may speed up the process.



Teamwork

ALWAYS have at least two people to help with transporting and assembling the product to avoid potential injury and/or damage.



Suitable Location

Assembling near the area of the intended location is highly recommended.



Sufficient Space

Make sure you have enough space to move around during the assembly.



Avoid Scratches

Use cardboard, blankets or a carpeted area while assembling furniture to prevent scratches.



Flat Surface

Make sure the furniture rests on a flat and level surface with each leg evenly touching the floor.

ASSEMBLY AND CARE ADVICE



FAILURE TO FOLLOW THE GUIDELINES BELOW MAY RESULT IN INJURY AND/OR PROPERTY DAMAGE.



Position each part correctly and insert screws or bolts into their respective holes.



Turn clockwise to tighten and only tighten when step is completed or when instructed to do so.



Use the appropriate hand tools or power tools for assembly. Select steps, such as tightening screws and/or bolts, may require hand tools to avoid causing damage during assembly.



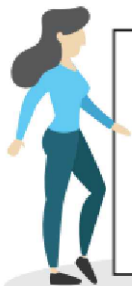
Save the instructions and store any supplied tools for later maintenance.



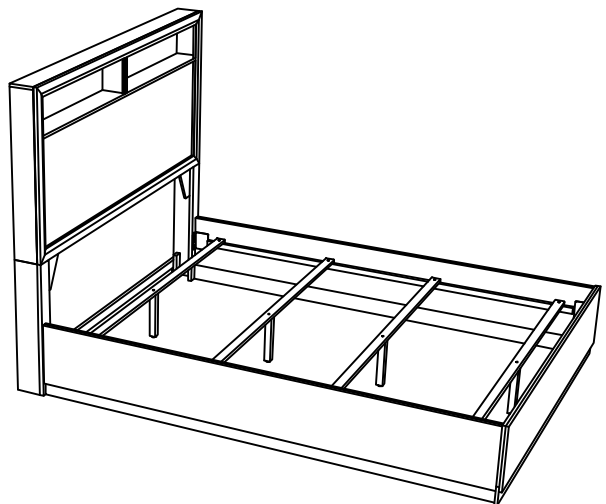
After two weeks, check and tighten any loose hardware and repeat again every six months thereafter.

IT IS THE USER'S RESPONSIBILITY TO MAINTAIN THE FURNITURE. THE HARDWARE MAY LOOSEN OVER TIME AND MAY CAUSE THE FURNITURE TO BE WOBBLY AND UNABLE TO SUPPORT ITS INTENDED WEIGHT CAPACITY. THIS MAY LEAD TO COLLAPSE AND MAY CAUSE SERIOUS INJURY.

QUEEN BED



- Please keep instructions for future reference.
- Check the quantity and irregularity of parts and hardware before you start.



PARTS

#1 1pc



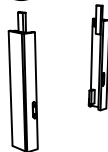
Headboard

#2 2pcs



Headboard Corner Panel

#3 2pcs



Headboard Leg (L&R)

#4 1pc



Footboard

#5 2pcs



Side Rail

#6 4pcs



Bed Slat

#7 4pcs



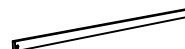
Bed Slat Support
230X30X30mmL

#8 1pc



Back Center Support

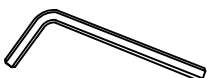
#9 1pc



Back Rail Support

HARDWARE

#A 1pc



Allen Key m5

#B 14pcs



CSK m4 x 32mm

#C 8pcs



CSK m4 x 25mm

#D 8pcs



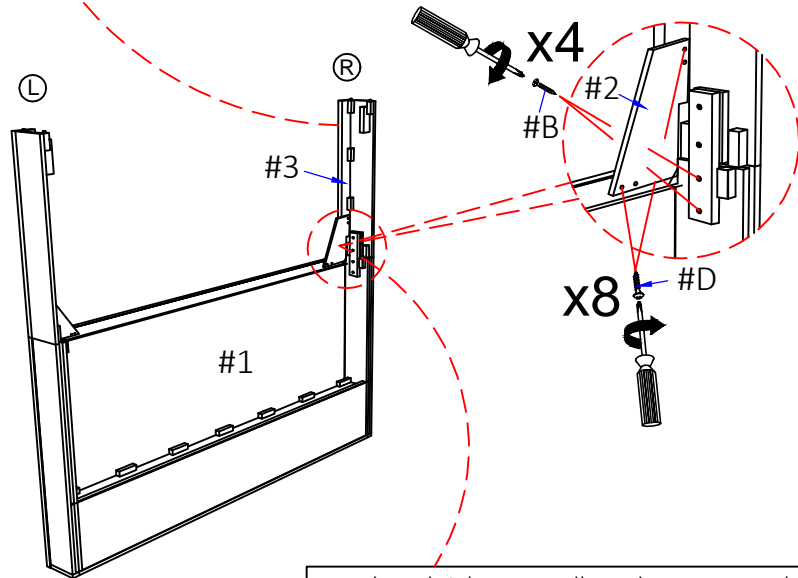
Panhead Screw
m3.5 x 20mm

ASSEMBLY INSTRUCTIONS

1

- Part #1 x1pc
- Part #2 x2pcs
- Part #3 x2pcs
- Hardware #B x4pcs
- Hardware #D x8pcs

Attach Head Board Leg (#3) to Head Board (#1) then secure by using screws (#B)

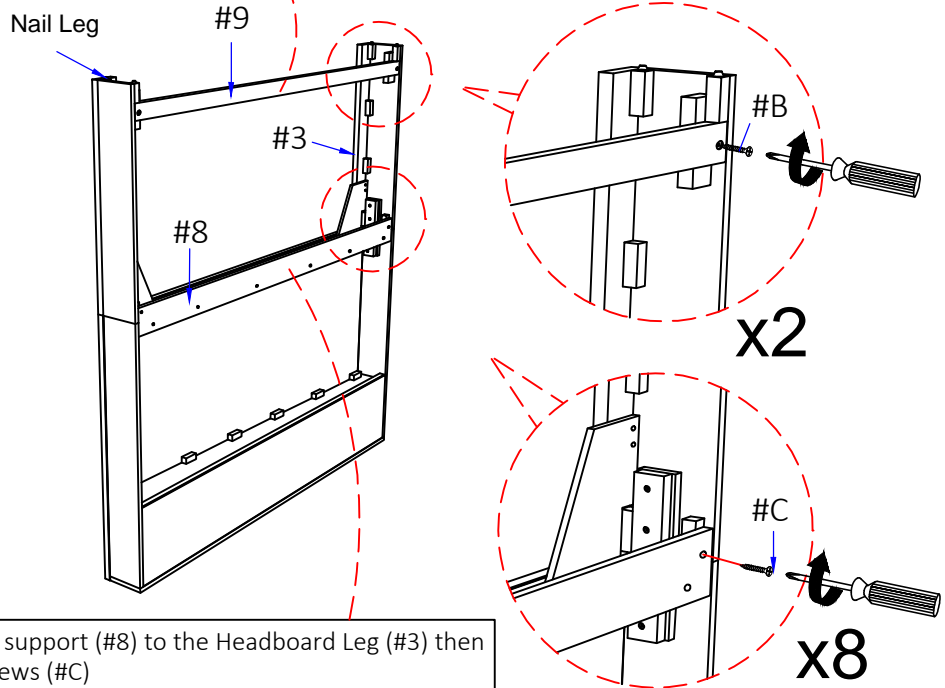


Attach and tighten Headboard Corner Panel (#2) to the Headboard and secure by using Panhead screw (#D).

2

- Part #8 x1pc
- Part #9 x1pc
- Hardware #B x2pcs
- Hardware #C x8pcs

Attach Back Rail support (#9) to the Headboard Leg (#3) and secure by using screws (#B)



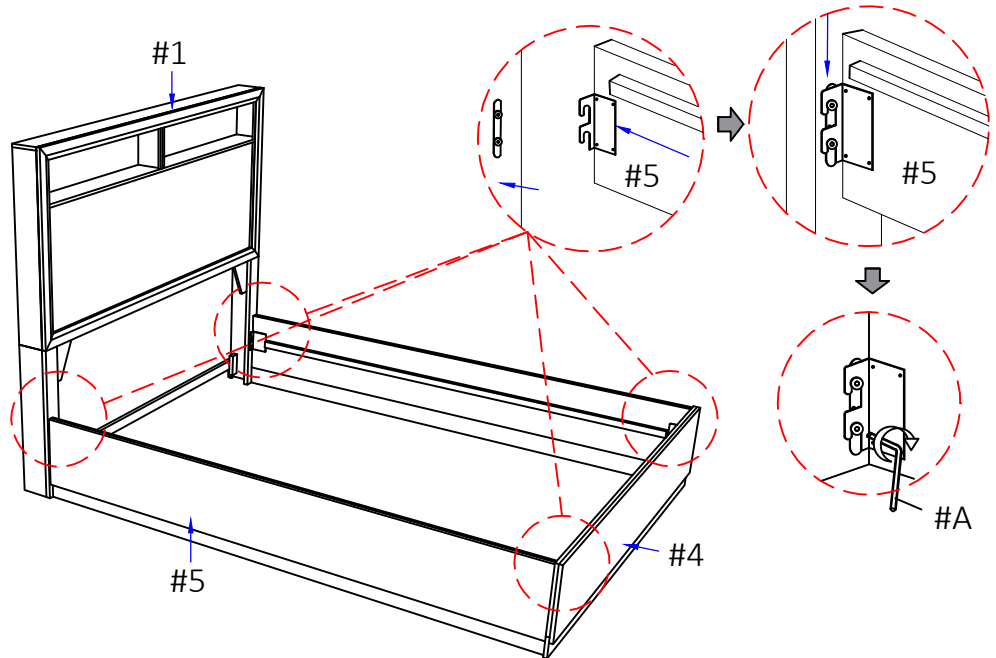
Attach Back center support (#8) to the Headboard Leg (#3) then secure by using screws (#C)

ASSEMBLY INSTRUCTIONS

3

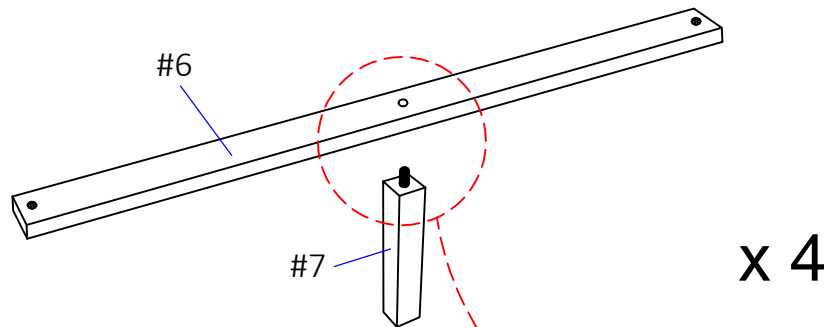
Align side rails (#5) to the bolts of the Headboard Leg(#3) and footboard (#4). Fully tighten the bolts.

Part #4 x1pc
Part #5 x2pcs

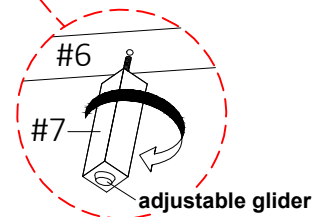


4

Part #6 x4pcs
Part #7 x4pcs



Attach support legs (#7) to the slats (#6), then adjust the leveler according to ground level.

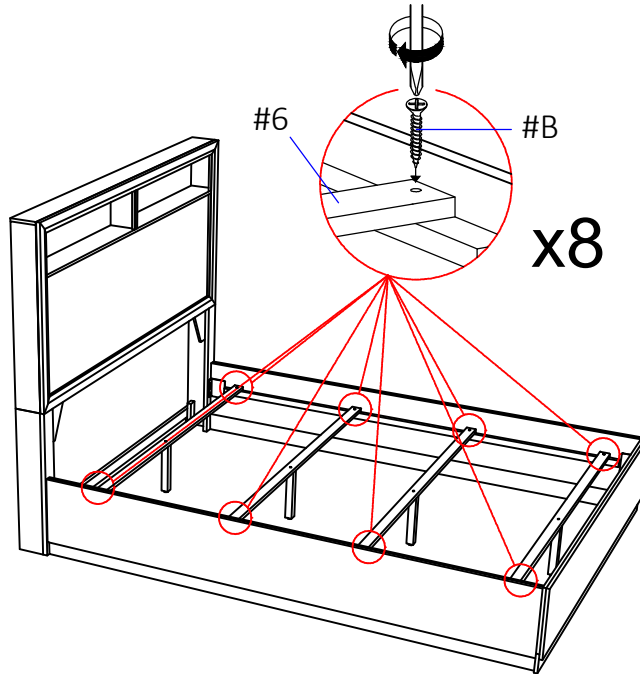


ASSEMBLY INSTRUCTIONS

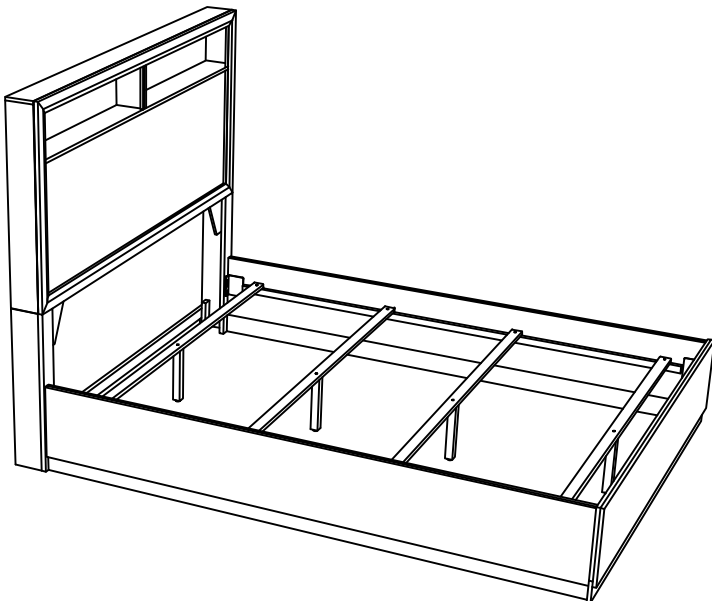
5

Hardware  #B x8pcs

Align slats (#6) evenly to the side rails, then secure by using screws (#B)



6



ASSEMBLY COMPLETED



Please ensure the furniture rests on an even and flat surface. If the product wobbles or feels loose, double-check all bolts and/or screws are properly tightened and secured.



Keep this handy!

Please retain this instruction manual and any order-related information for future reference.