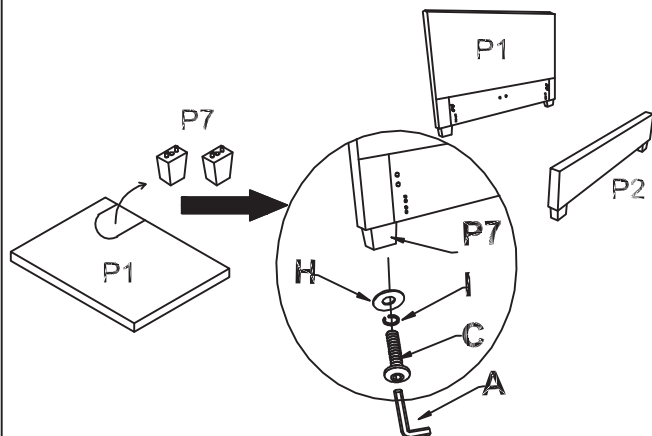


GENEVA BED ASSEMBLY INSTRUCTION (FULL / QN)

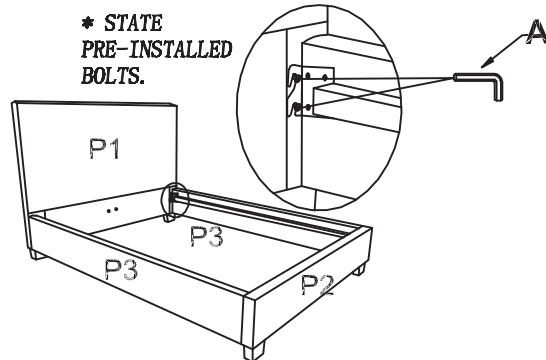
P1 HEADBOARD (HB) 1PC	P2 FOOTBOARD (FB) 1PC	P3 SIDE RAIL 2PCS	P4 METAL TUBE 1PC	P5 SLAT 26PCS	P6 SUPPORT LEG 2 PCS	P7 WOODEN LEG 4PCS
--	--	---------------------------------	---------------------------------	-----------------------------	------------------------------------	----------------------------------

A WRENCH 5/16" 1PC	B BOLT 5/16" 1" 4PCS	C BOLT 5/16"x3.25" 8PCS	D BOLT 5/16"x2.5" 4PCS	E WRENCH 5/16" 1PC	F PLASTIC CLIPS 26 PCS	G PLASTIC CLIPS 13 PCS	H FLAT WASHER Ø5/16" 16 PCS	I SPRING WASHER Ø5/16" 16 PCS	J NUT M8*13MM 4 PCS
----------------------------------	---------------------------------------	--	---	----------------------------------	--------------------------------------	--------------------------------------	--	--	--------------------------------------

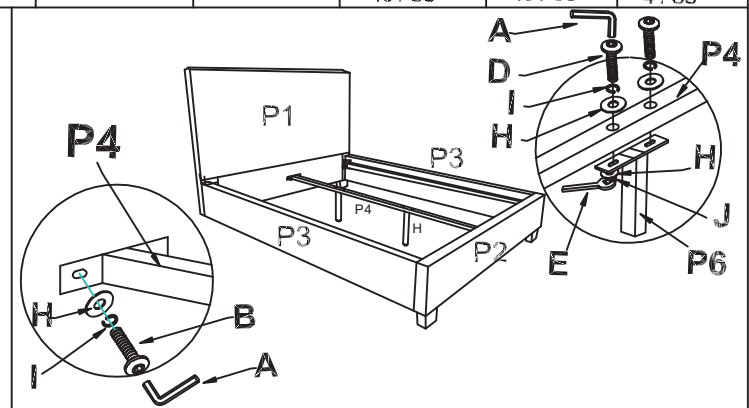
ATTENTION: THERE IS 1 BOX OF HARDWARE (INCLUDING BOLTS, WRENCH, SUPPORT LEG) PACKED INSIDE BOX OF METAL SUPPORT.



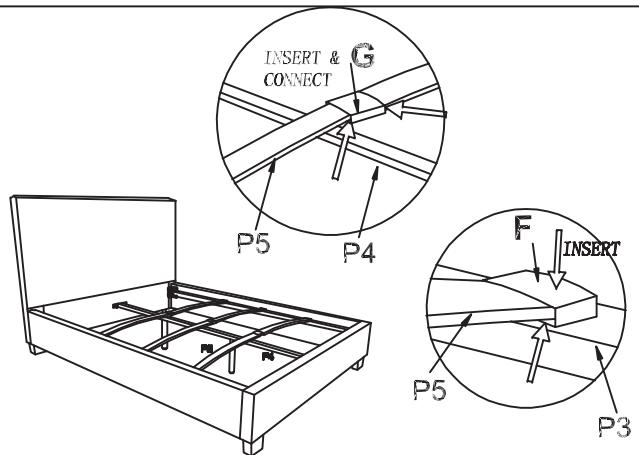
STEP 1: ASSEMBLE THE WOODEN LEGS TO THE BOTTOM OF HEADBOARD AND FOOTBOARD.



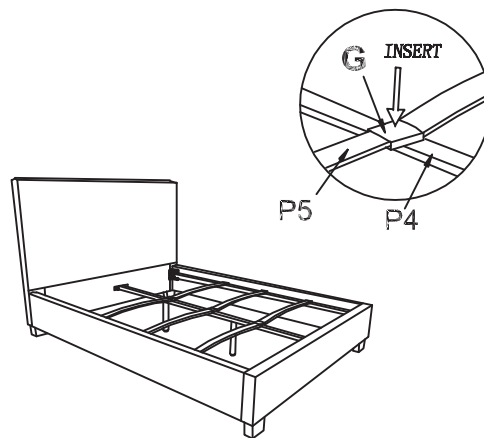
STEP 2: LOOSEN THE BOLTS OF HEADBOARD (P1) & FOOTBOARD (P2). CONNECT THE SIDERAIL (P3) WITH HEADBOARD (P1) AND FOOTBOARD (P2) BY HOOK, TIGHTEN THE PRE-INSTALLED BOLTS BY WRENCH (A).



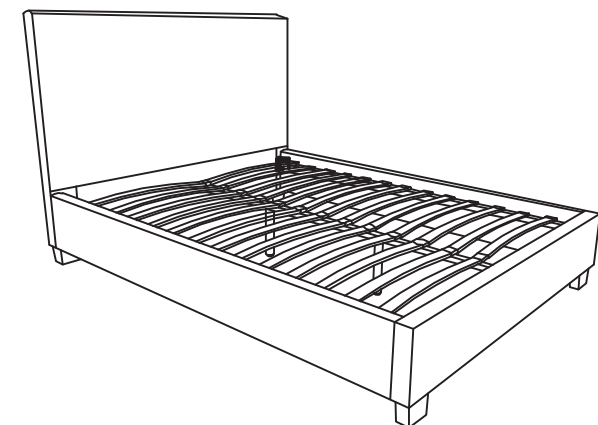
STEP 3: CONNECT THE METAL TUBE TO THE HEADBOARD & FOOTBOARD WITH BOLT (B) BY WRENCH (A). ASSEMBLE THE SUPPORT LEG (H) TO THE BOTTOM OF TUBE WITH BOLT (D) BY WRENCH (A).



STEP 4: INSERT CLIPS (F) TO SIDE RAILS' TUBE. INSERT SLATS TO THE CLIPS (F), THEN CONNECT THE TWO SIDE'S OF THE SLATS TOGETHER BY CLIPS (G).



STEP 5: INSERT CLIPS (G) INTO THE MIDDLE TUBE OF THE REMAINING SLATS TO THE BED FOUNDATION.



ASSEMBLY COMPLETE.