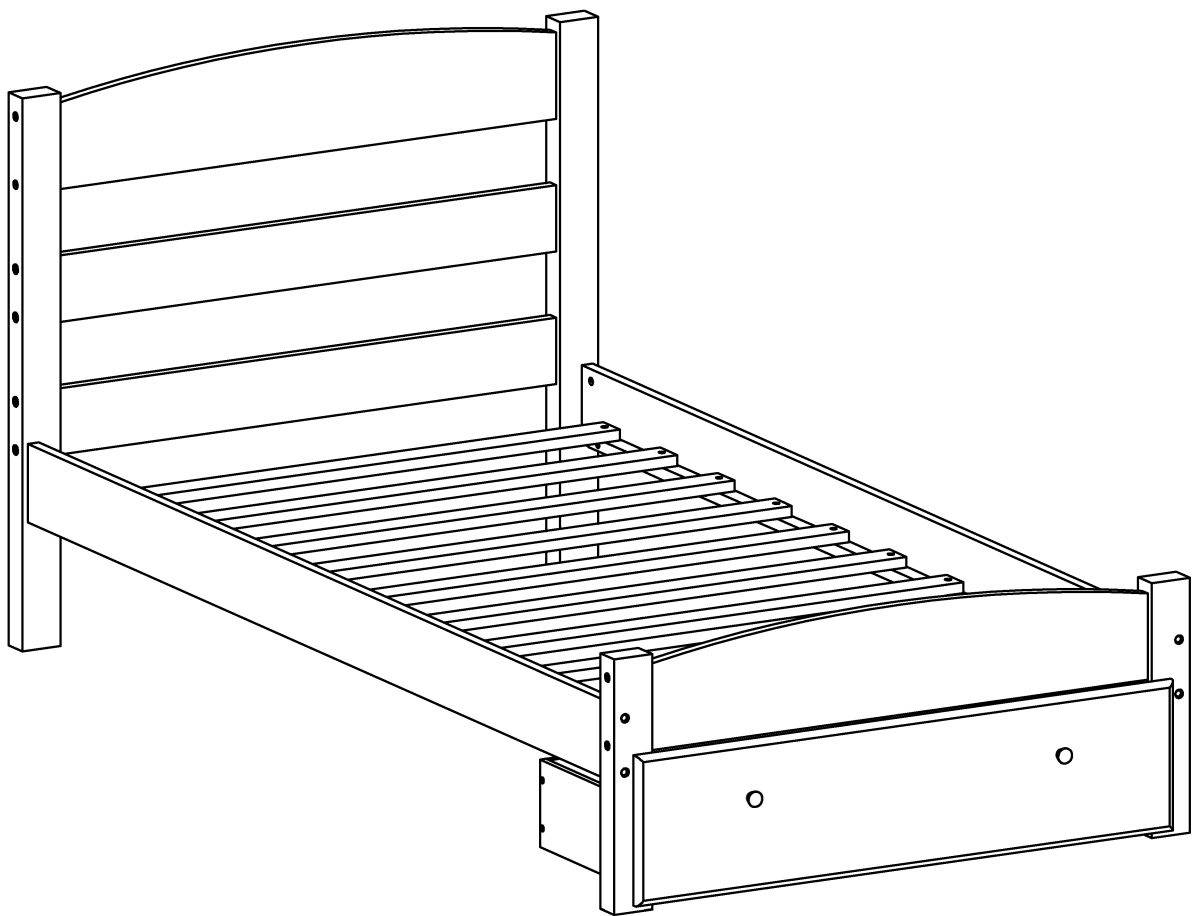
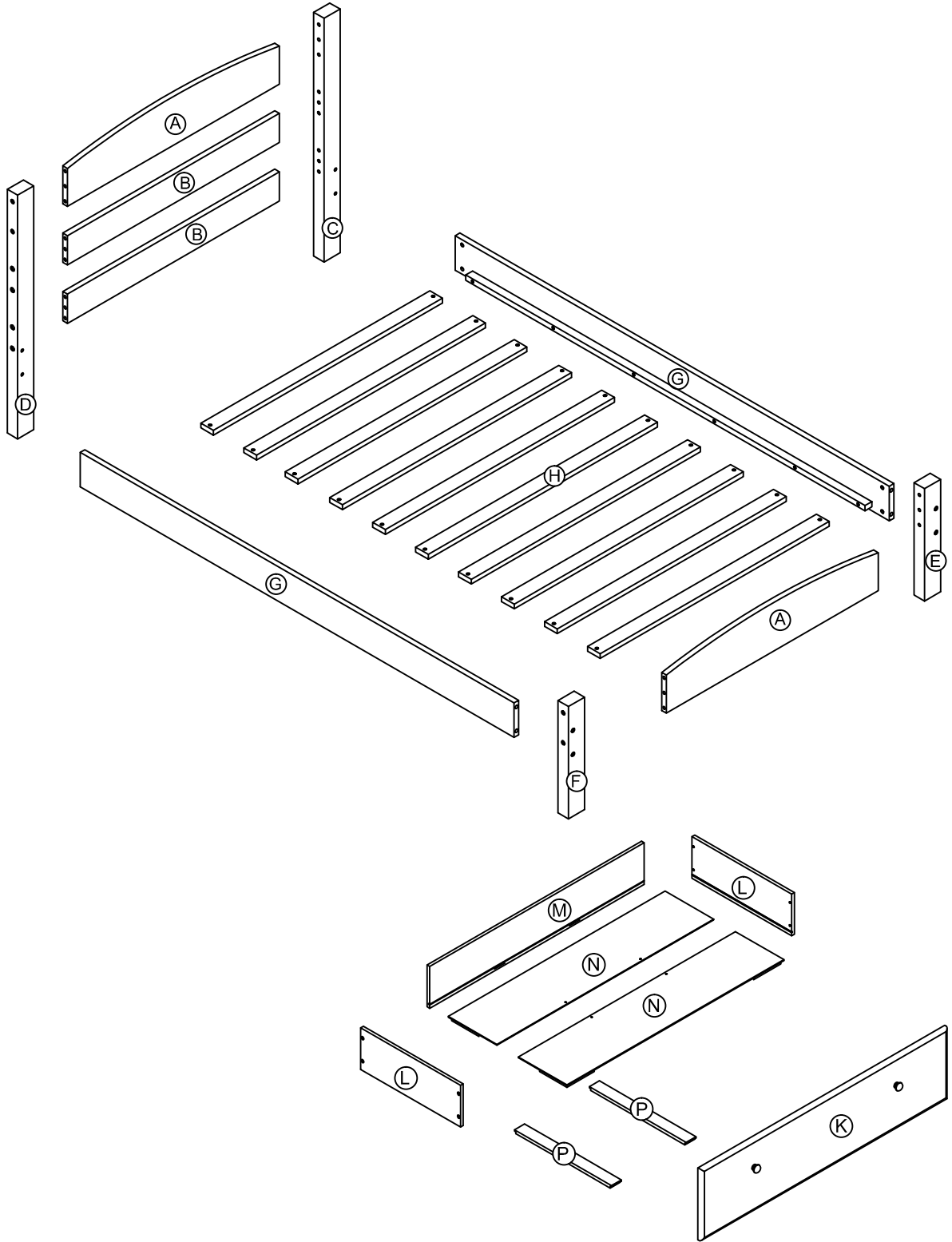


# ASSEMBLY INSTRUCTIONS

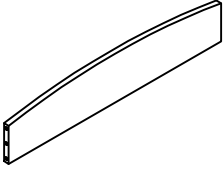
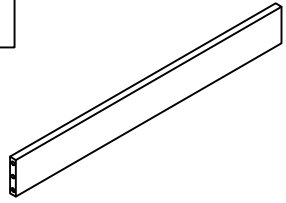
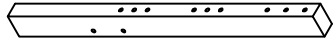
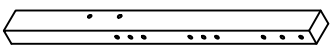


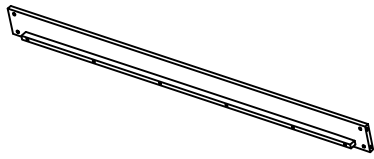
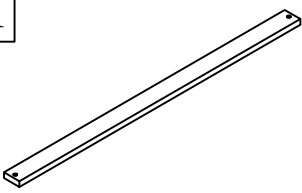
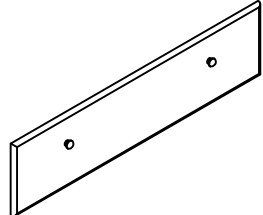
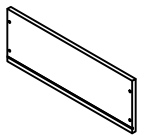
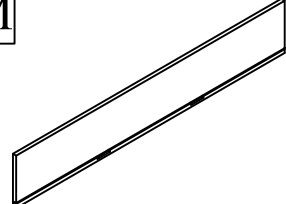
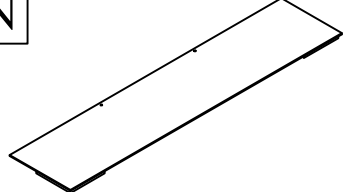

## SINGLE BED



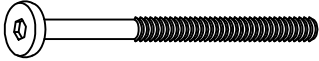
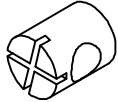
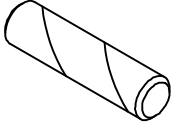
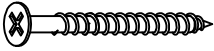
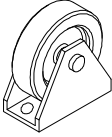
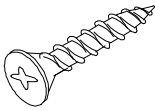
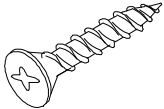
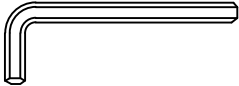


# Detail View



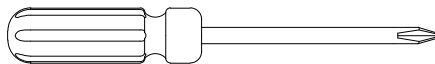
# PART LISTS

<p><b>A</b></p> 	<p><b>B</b></p> 	<p><b>C</b></p> 
<p>Headboard&amp;footboard top rail 2pcs</p>	<p>Headboard Horizontal bar 2pcs</p>	<p>Headboard leg ( left side) 1pc</p>
<p><b>D</b></p> 	<p><b>E</b></p> 	<p><b>F</b></p> 
<p>Headboard leg ( Right side) 1pc</p>	<p>Footboard leg ( left side) 1pc</p>	<p>Footboard leg ( Right side) 1pc</p>
<p><b>G</b></p> 	<p><b>H</b></p> 	<p><b>K</b></p> 
<p>Side rail 2pcs</p>	<p>Slat 10pcs</p>	<p>Drawer Front 1pc</p>
<p><b>L</b></p> 	<p><b>M</b></p> 	<p><b>N</b></p> 
<p>Drawer side panel 2pcs</p>	<p>Drawer back panel 1pc</p>	<p>Drawer bottom panel 2pcs</p>
<p><b>P</b></p> 		
<p>Drawer bottom support 2pcs</p>		

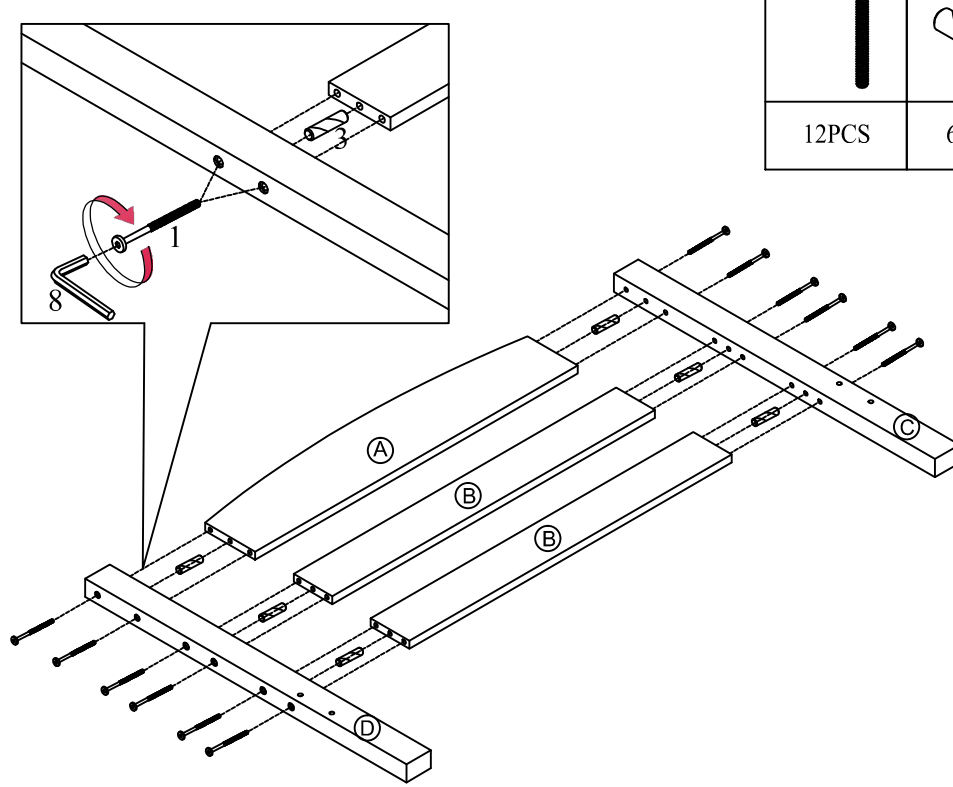
# HARDWARE LISTS



<p>1</p> 	<p>2</p> 	<p>3</p> 
<p>Long Bolt: 1/4" x 85mm ( 24pcs)</p>	<p>Hole bolt Ø 1/4"x15mm ( 8pcs)</p>	<p>Wood dowel Ø10 x 30mm (12 pcs)</p>
<p>4</p> 	<p>5</p> 	<p>6</p> 
<p>Screw #8 x 30mm ( 20 pcs )</p>	<p>Wheel 4 pcs</p>	<p>Screw Ø3 x 15mm ( 12 pcs )</p>
<p>7</p> 	<p>8</p> 	<p>9</p> 
<p>Screw Ø4 x 25mm ( 8 pcs )</p>	<p>Allen key 4mm ( 1pc)</p>	<p>Bolt 3/16" x 25mm ( 2pcs )</p>
<p>10</p>  <p>Handle ( 2pcs )</p>		

ASSEMBLY SCREW DRIVER REQUIRED ( NOT INCLUDED )

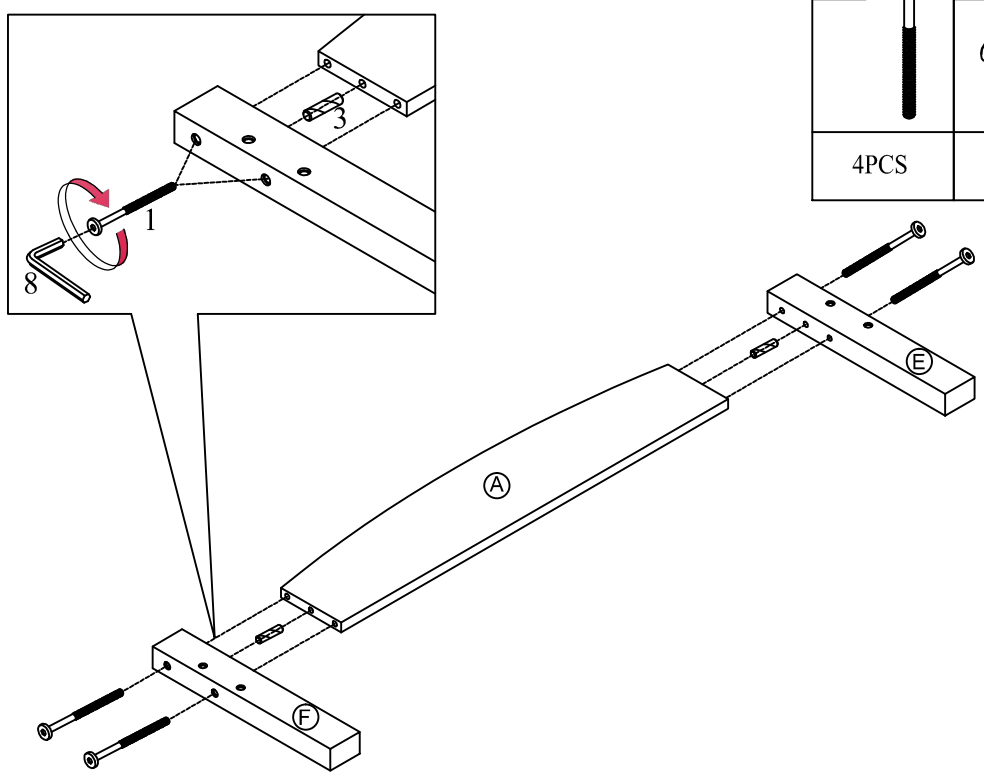




# STEP 1






1		3	
	12PCS		6PCS

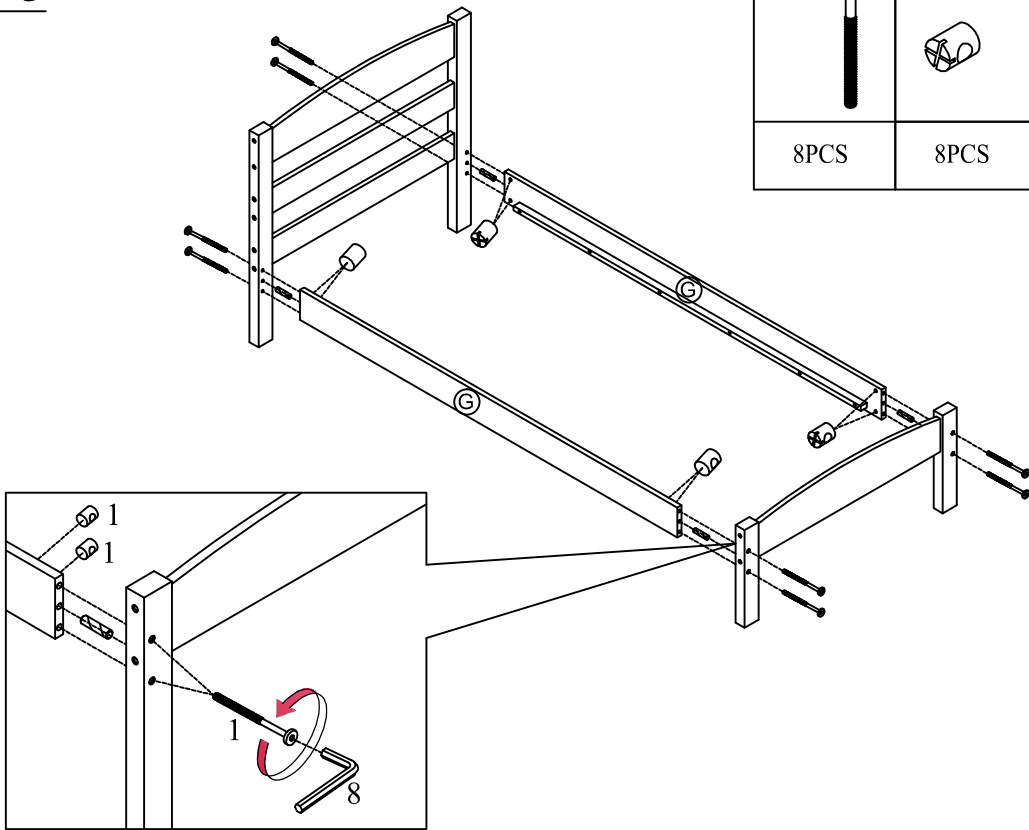
# STEP 2




1		3	
	4PCS		2PCS

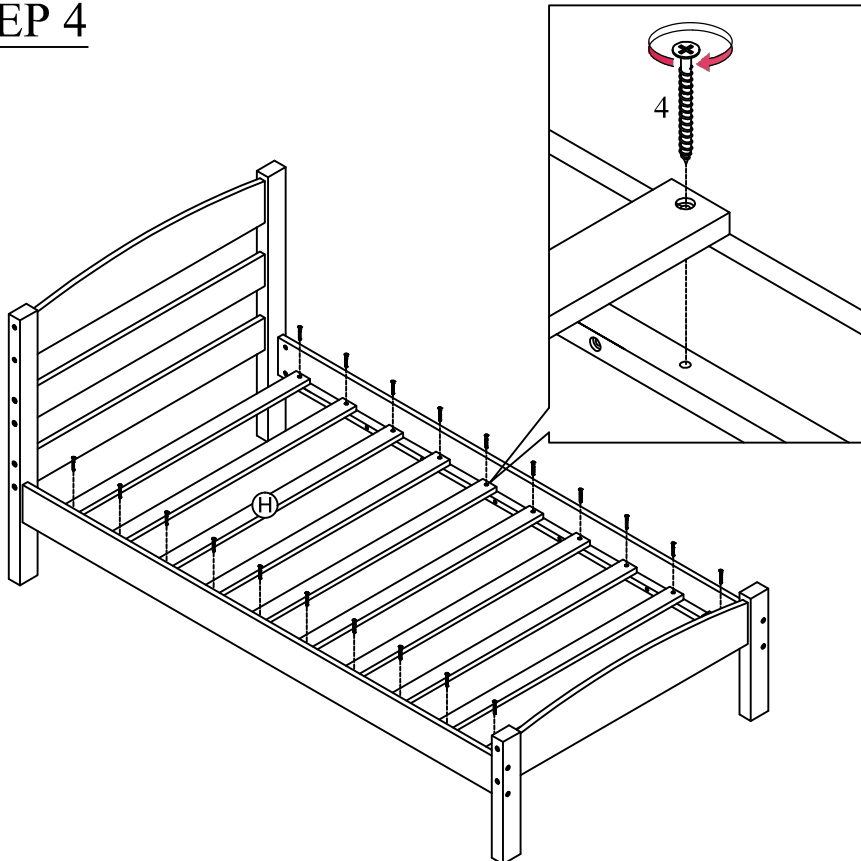
### STEP 3

1		2		3	
8PCS		8PCS		4PCS	

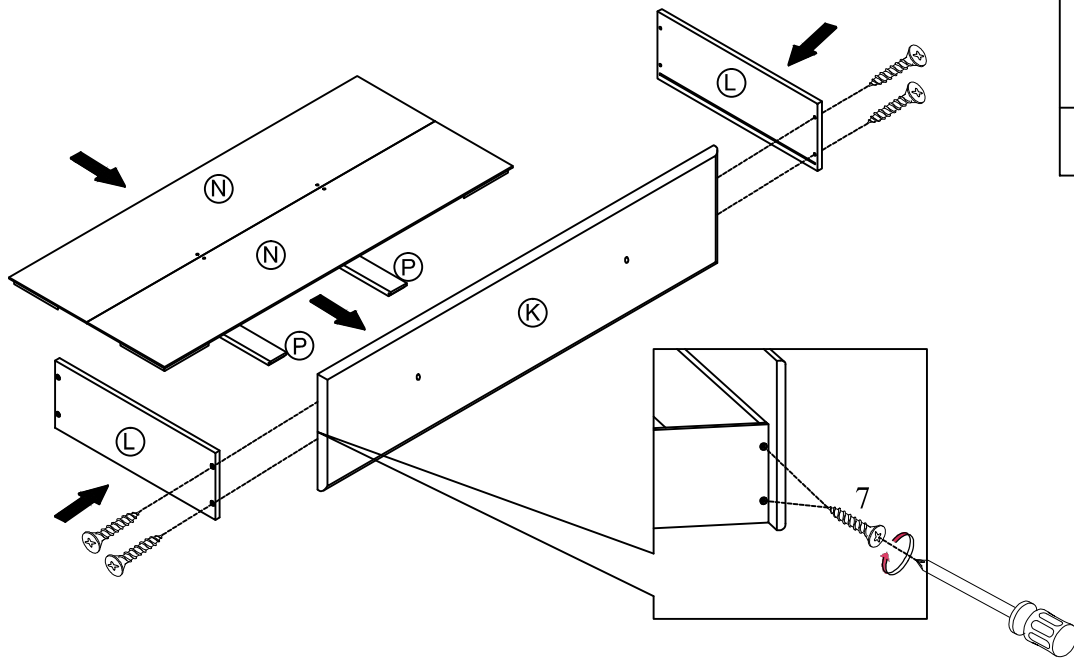


### STEP 4

4	
20PCS	



# STEP 5

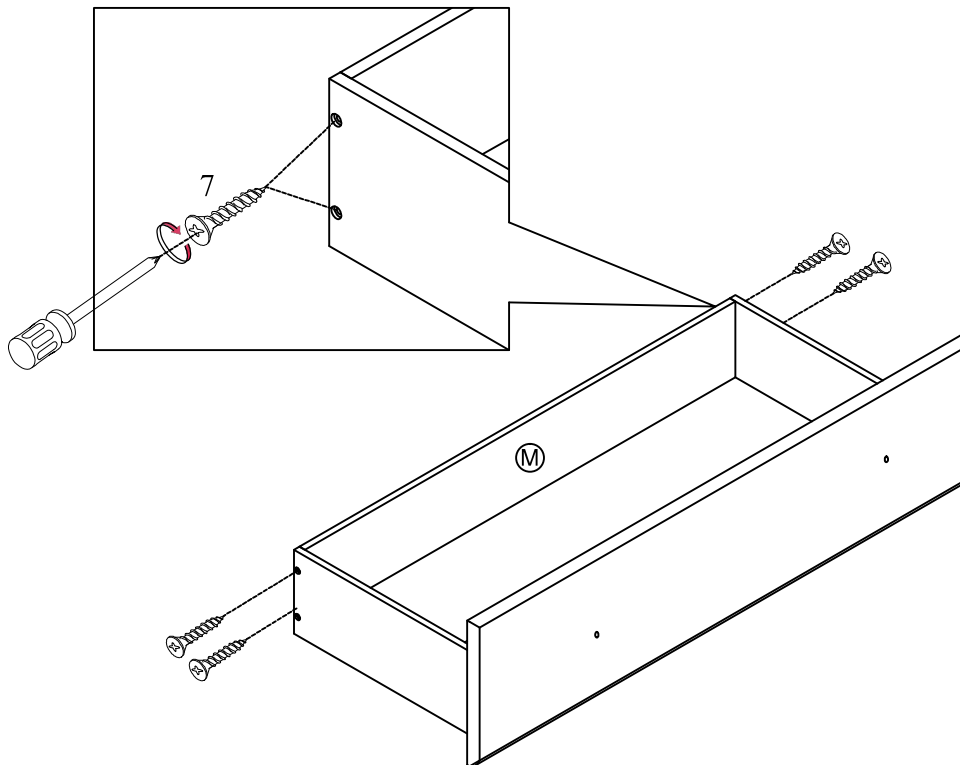


7

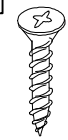


4PCS

# STEP 6

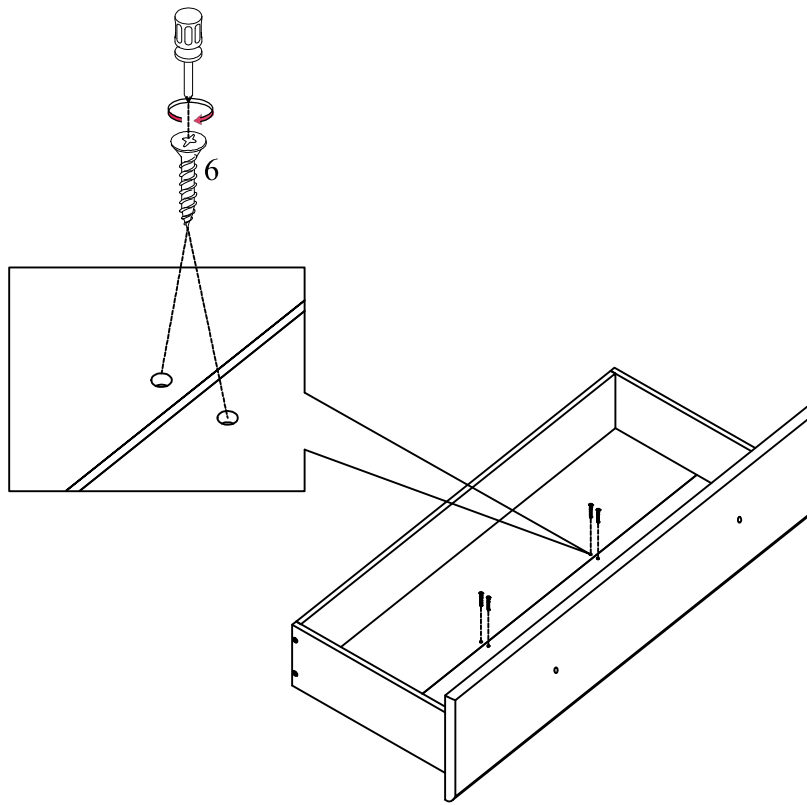


7

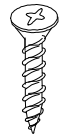


4PCS

# STEP 7

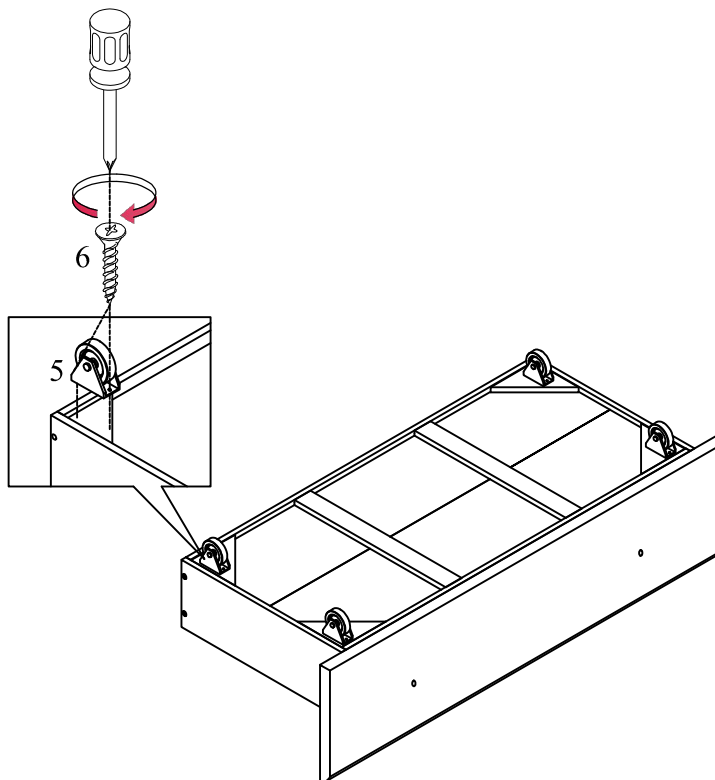


6



4PCS

# STEP 8

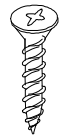


5





4PCS

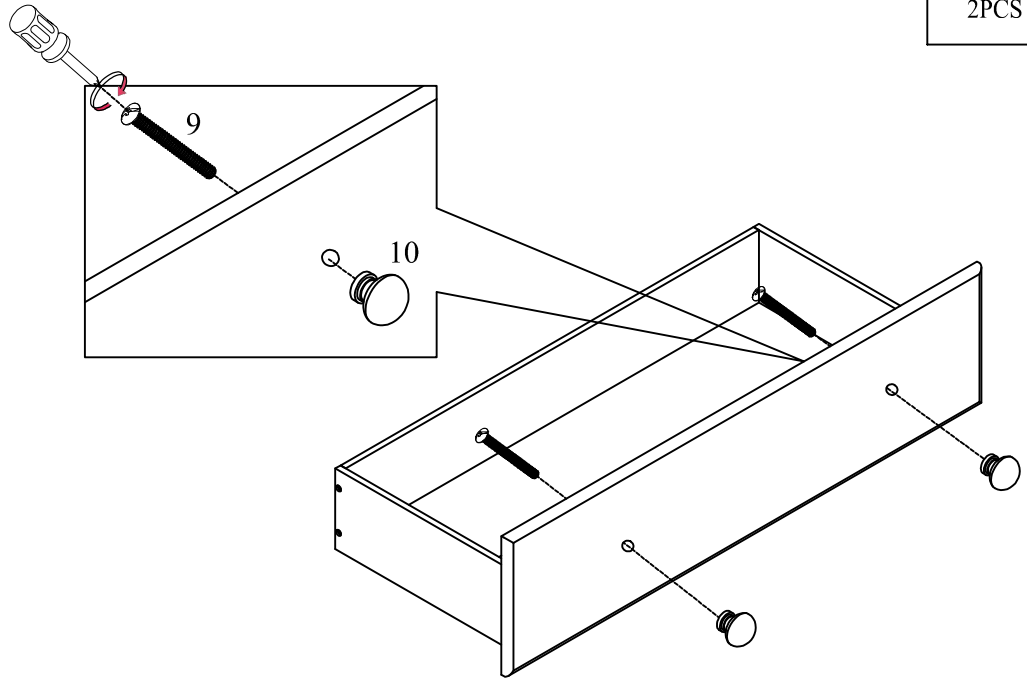
6



8PCS

# STEP 9

9	10
	
2PCS	2PCS



# STEP 10

