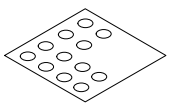
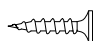


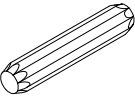
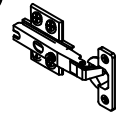


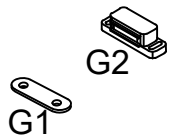

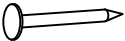
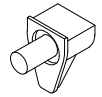
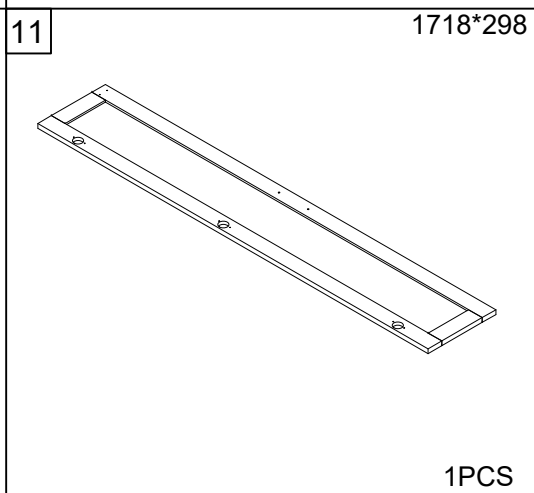
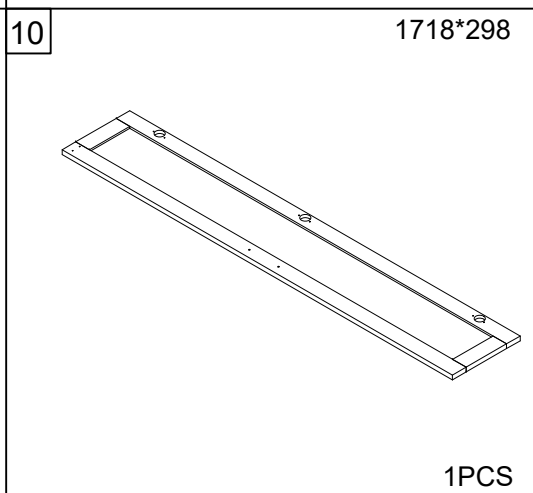
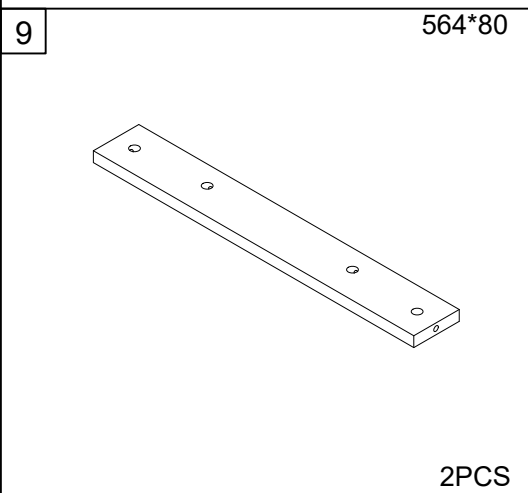
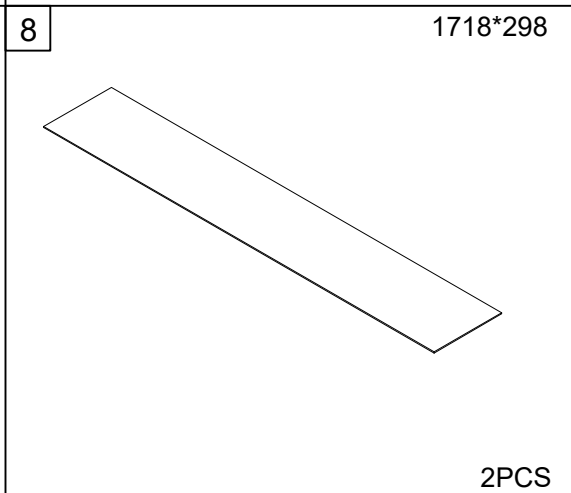
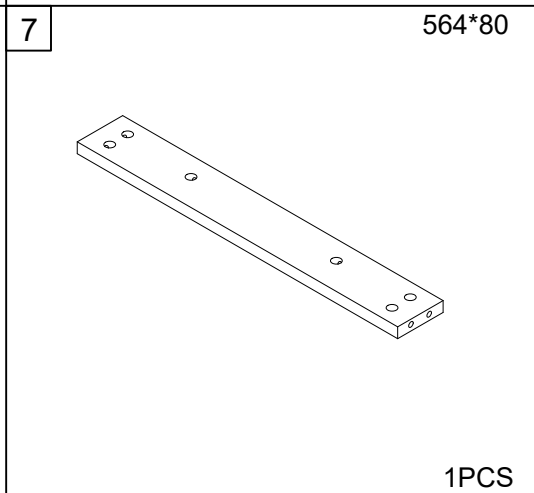
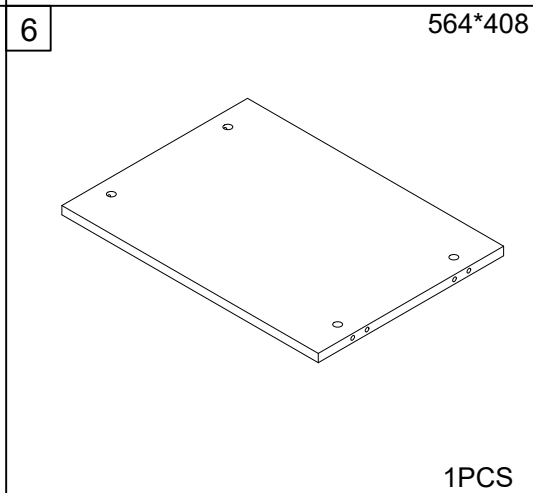
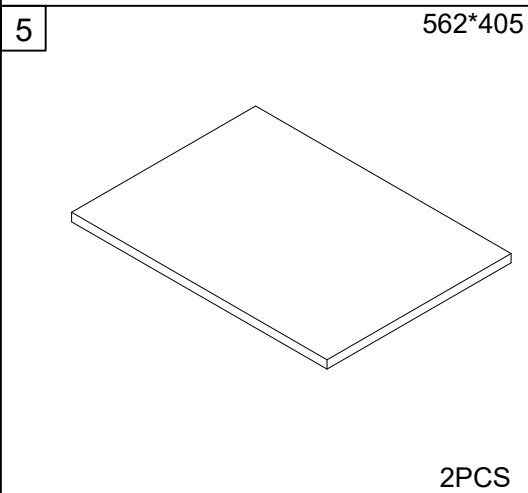
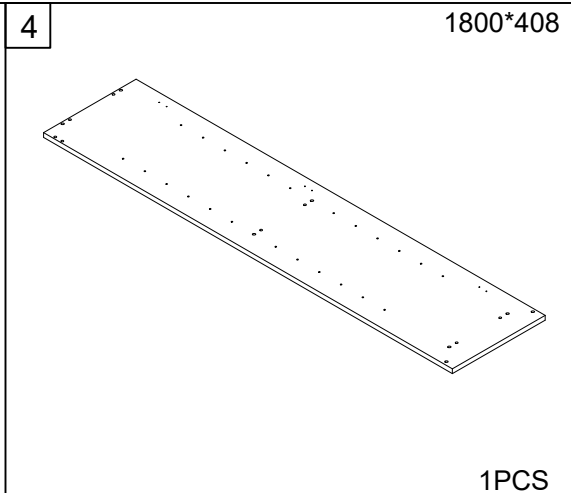
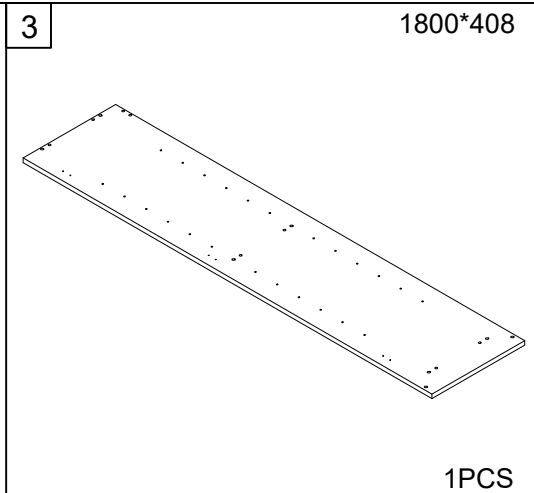
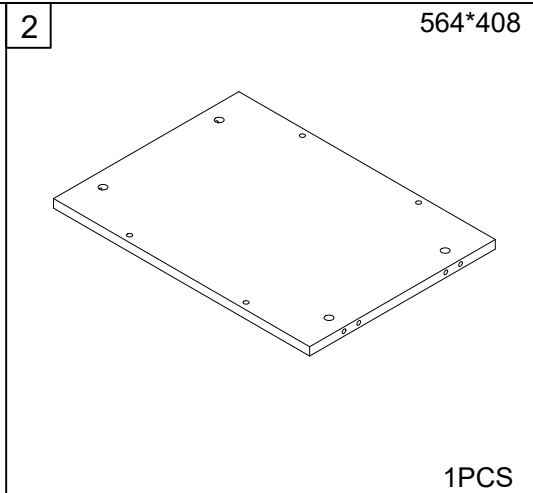
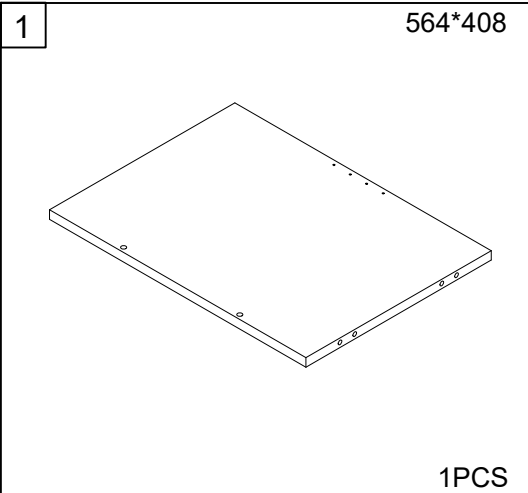


K  26PCS	L Ø3.5*14mm  44PCS
---	--

A  26PCS	B  26PCS	C Ø8*40mm  12PCS	D  6PCS	E 128mm  2PCS	F Ø4*25mm  4PCS	G  G1 G2 2PCS	H  1PCS	I  40PCS	J  8PCS
---	--	--	---	--	---	---	---	--	---

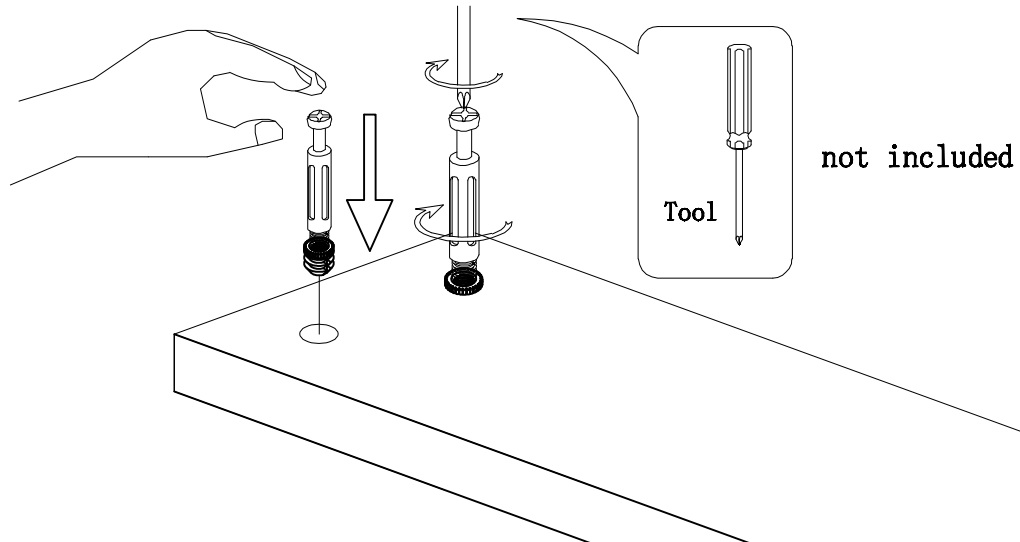




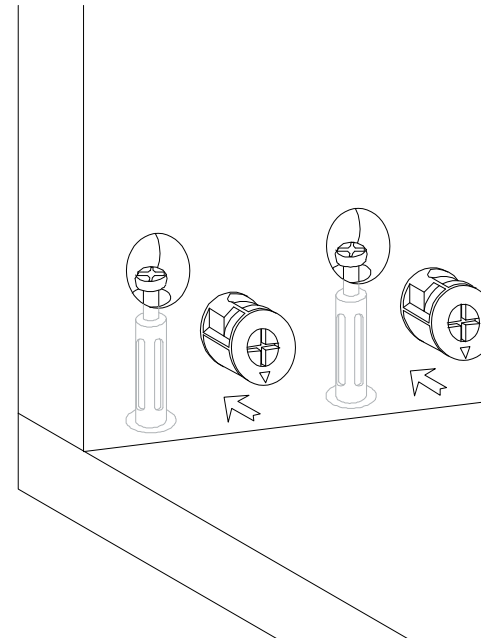
Hardware installation demonstration

NOTE: Please make sure "A" hardware tightened and can't be pulled out!

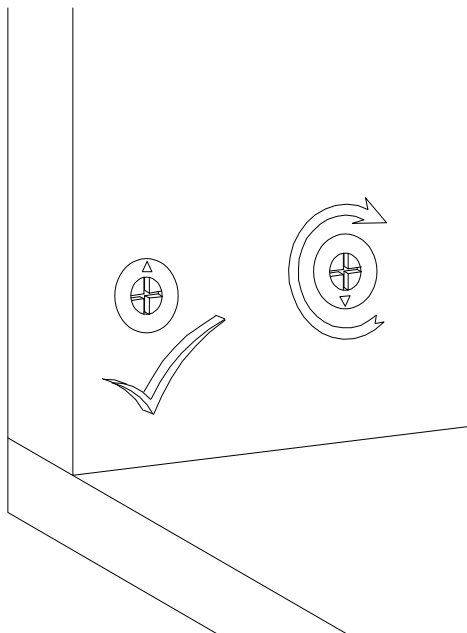
I



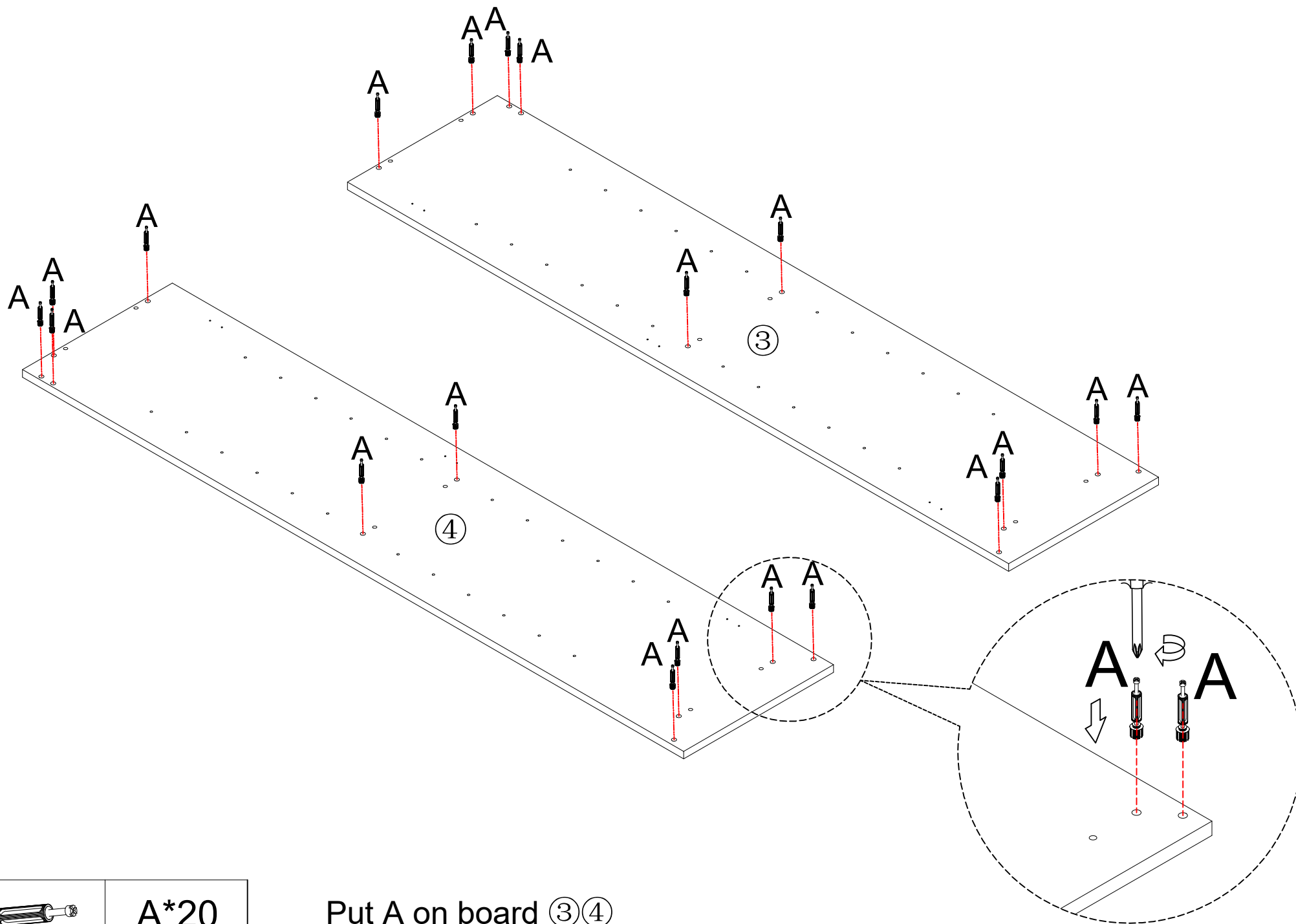
II



III



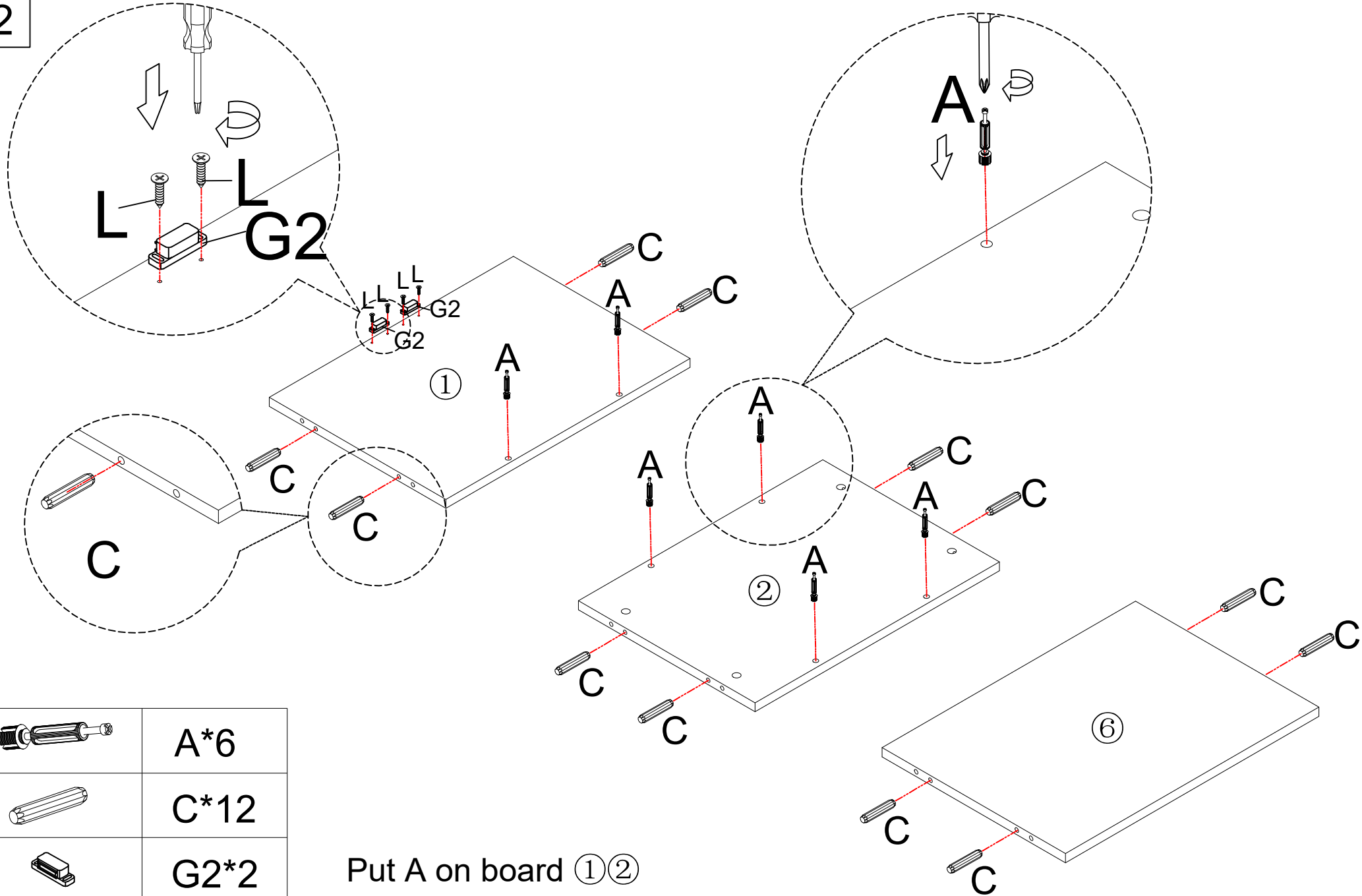
1




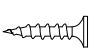


A*20

Put A on board ③④

2



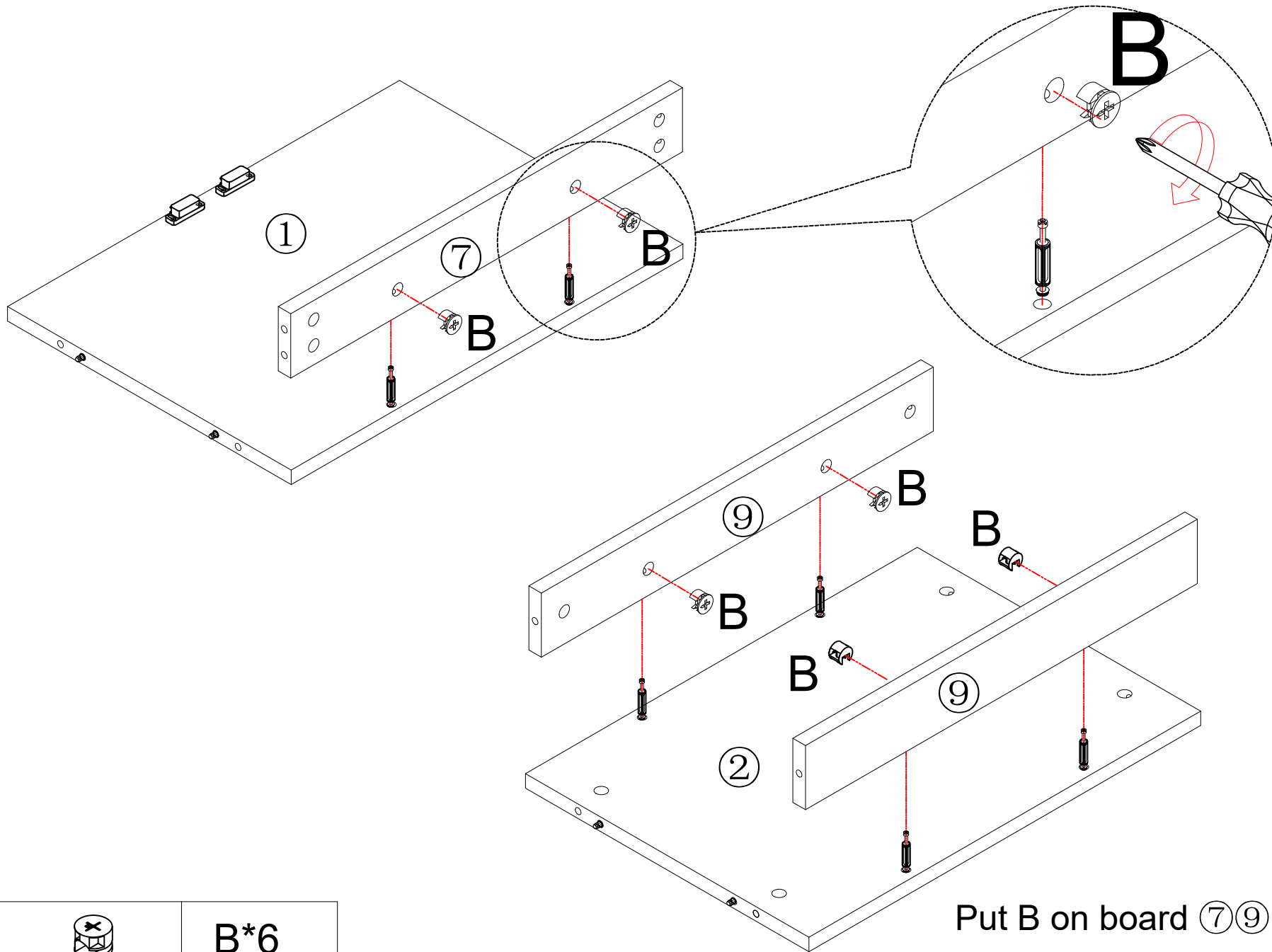
	A*6
	C*12
	G2*2
	L*4

Put A on board ①②

Put C on board ①②⑥

3

Make sure the arrow on the screw align to the hole on the side

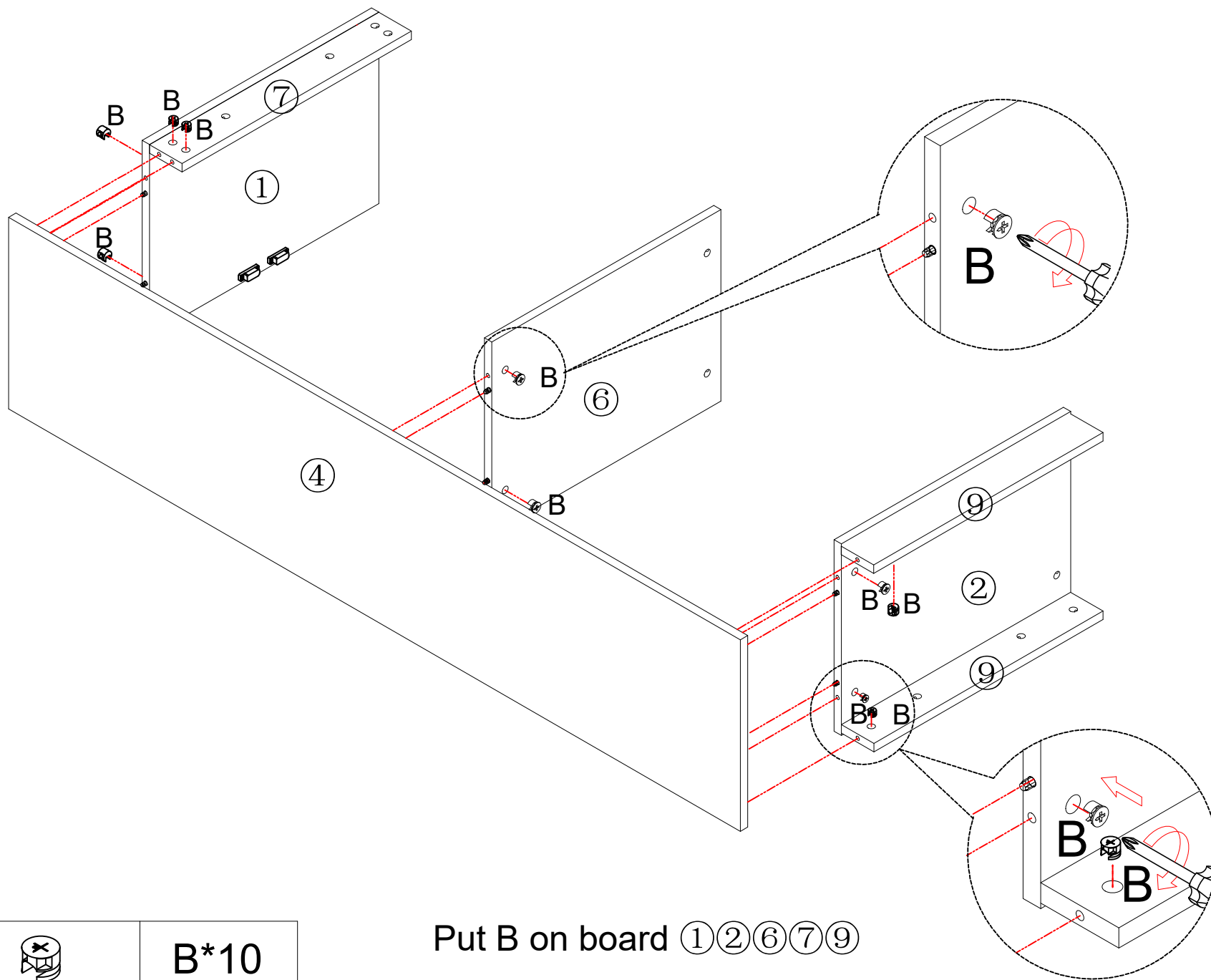


B*6

Put B on board ⑦⑨

4

Make sure the arrow on the screw align to the hole on the side

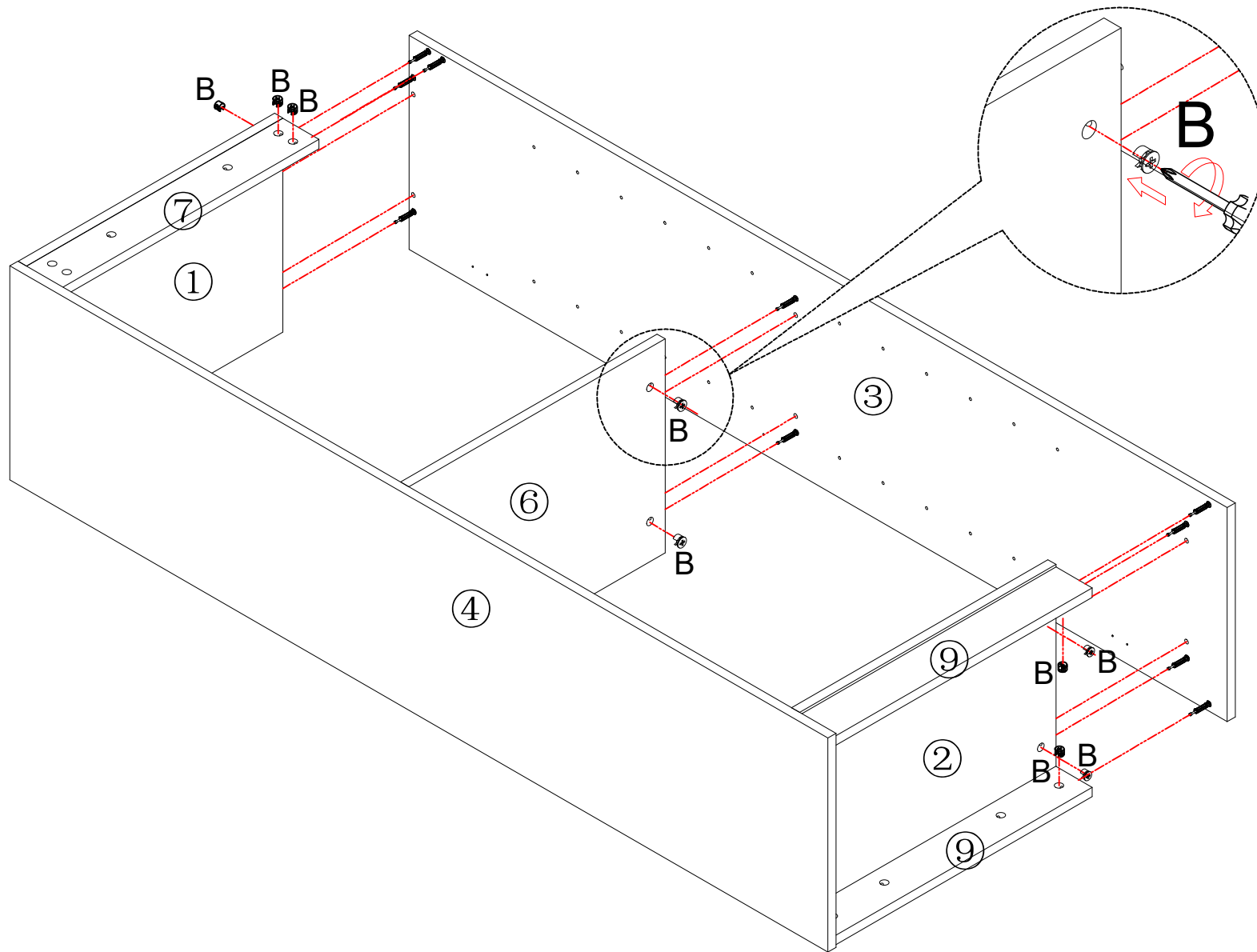


B*10

Put B on board ①②⑥⑦⑨

5

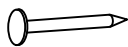
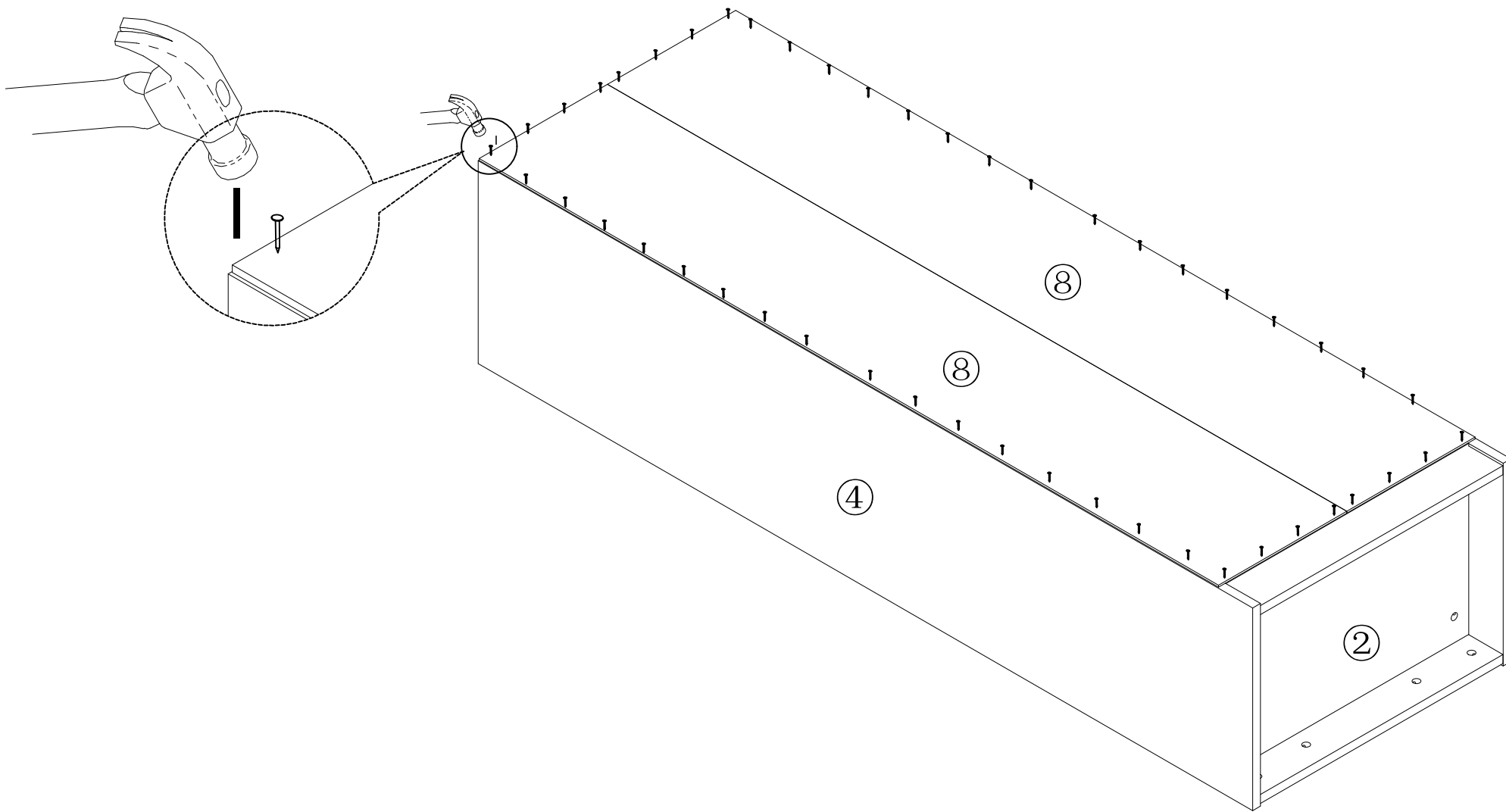
Make sure the arrow on the screw align to the hole on the side



B*10

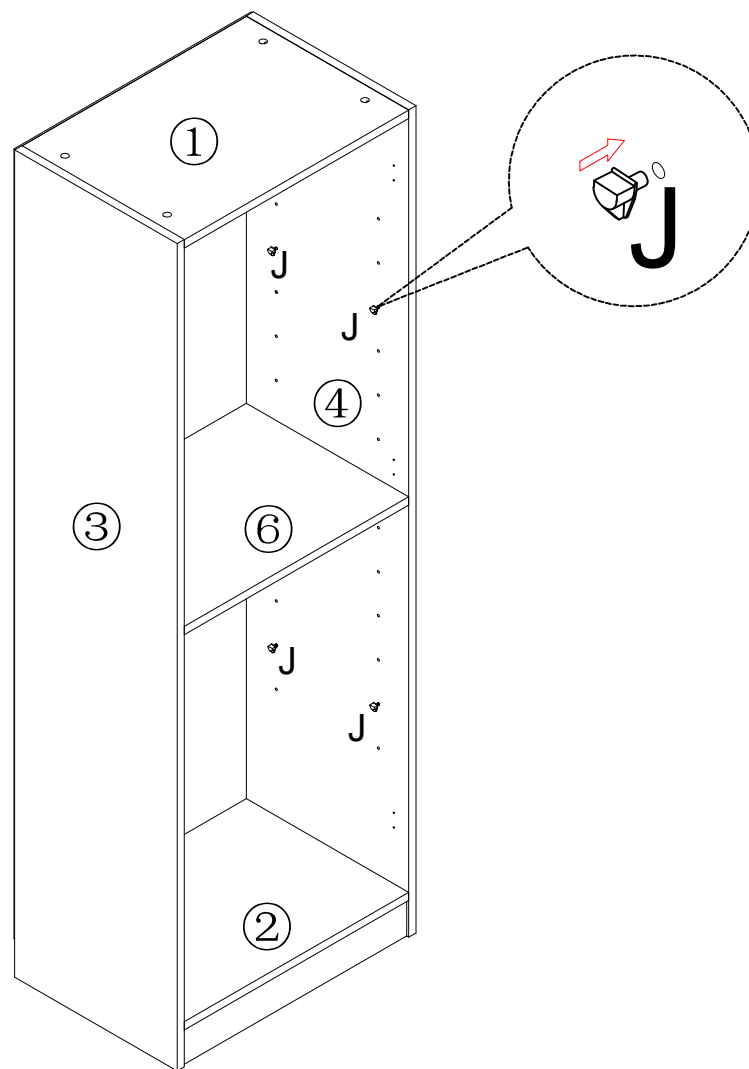
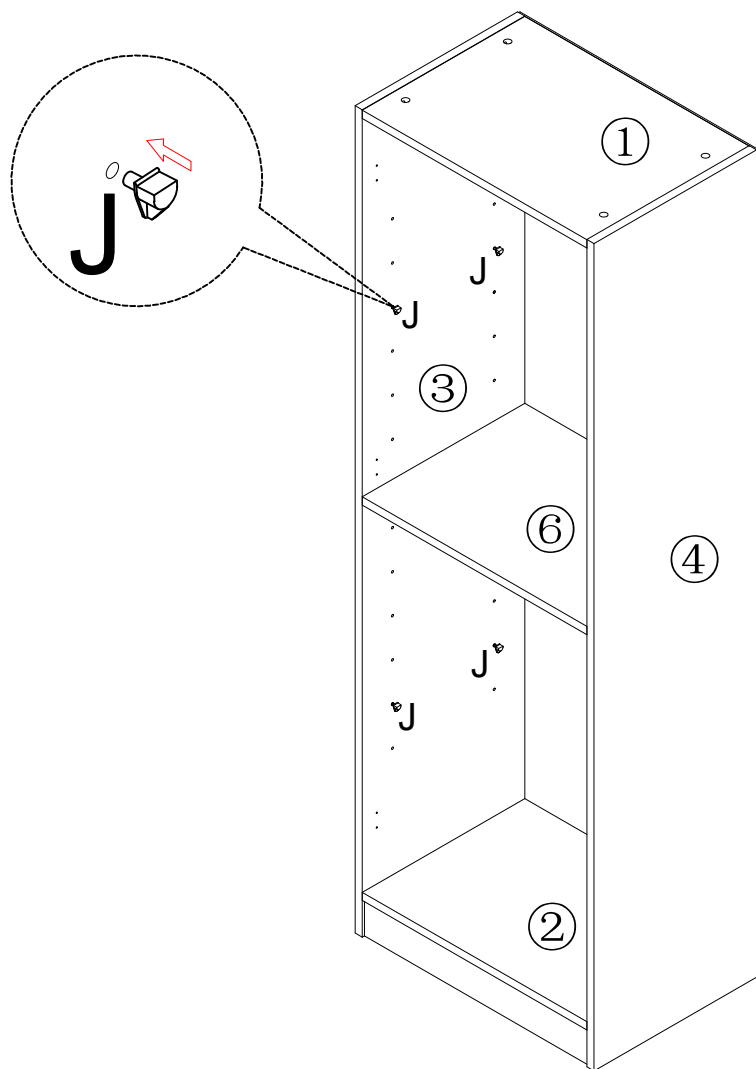
Put B on board ①②⑥⑦⑨

6



1*40

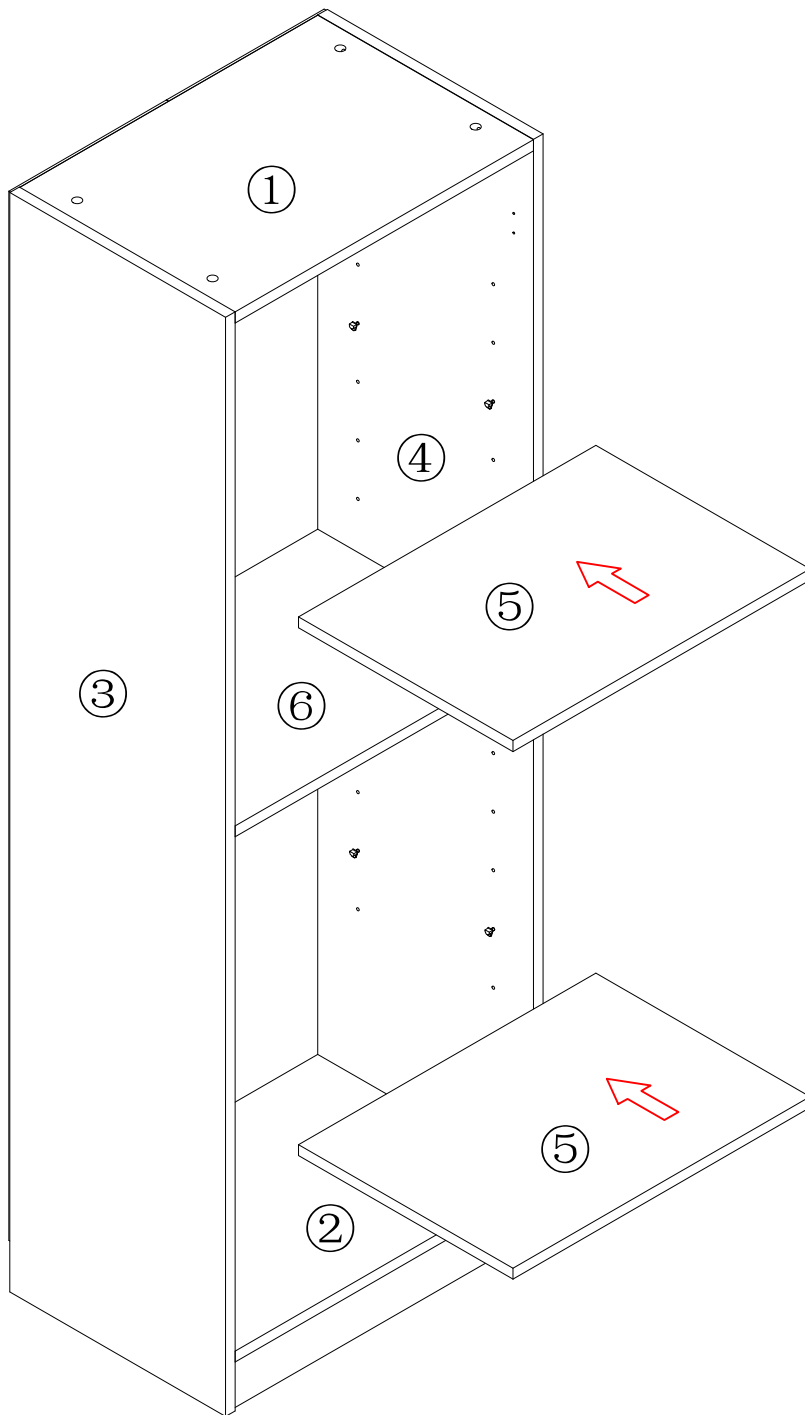
7



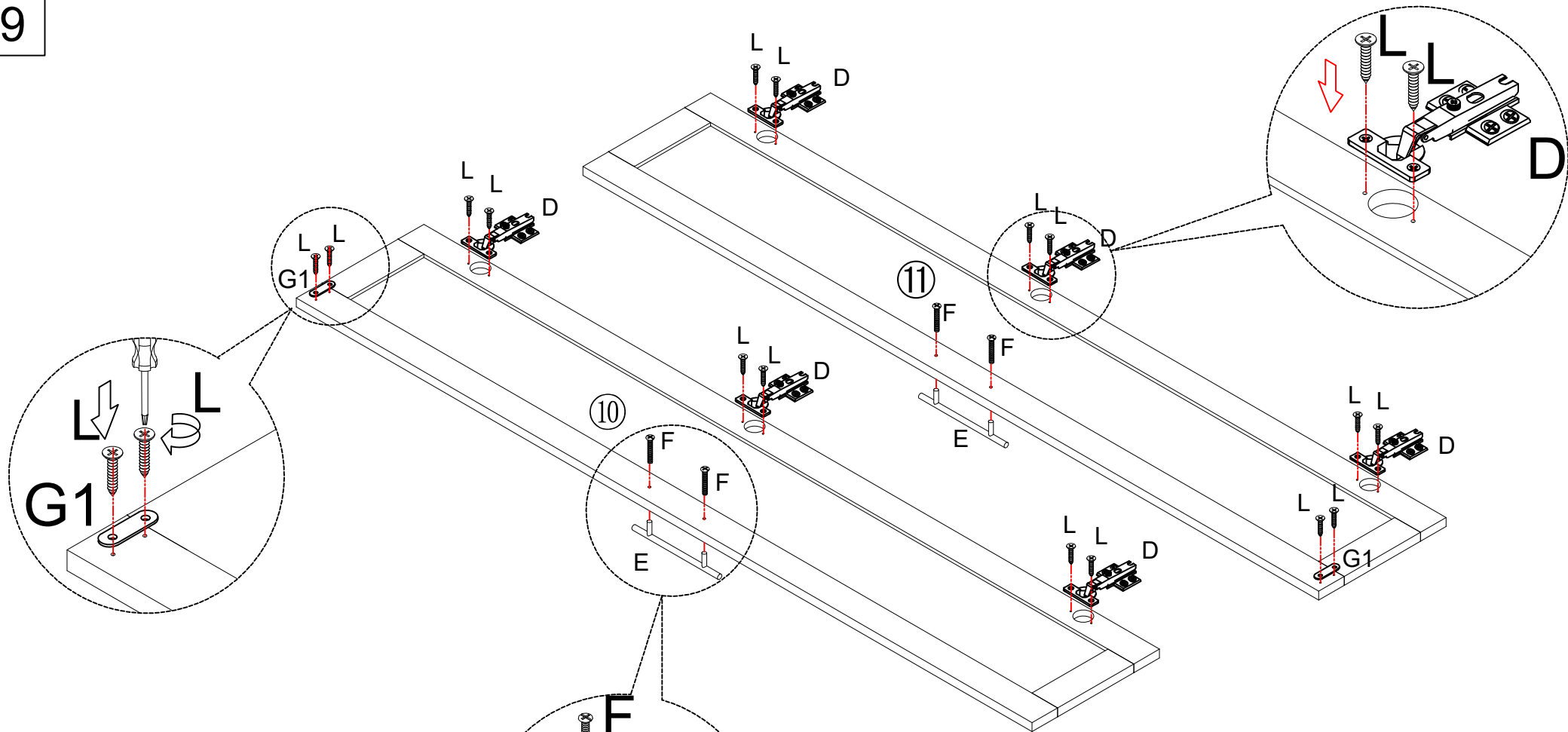
J*8

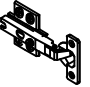
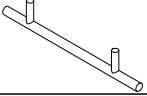


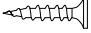
Put J on board (3)(4)

8

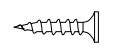
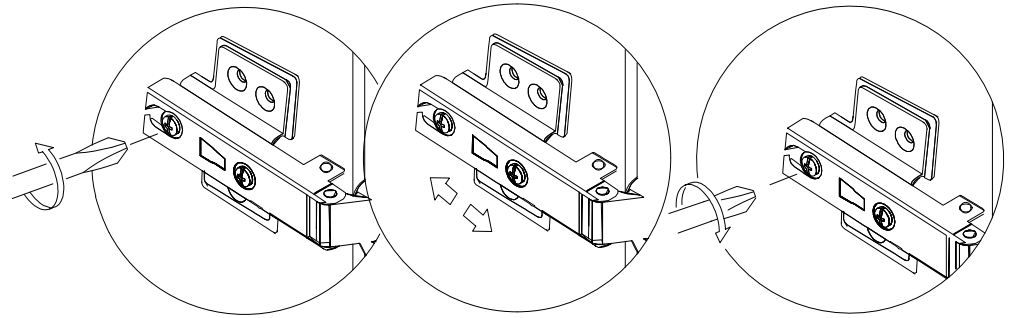
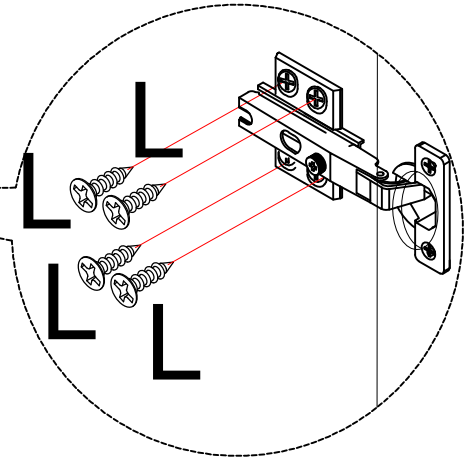
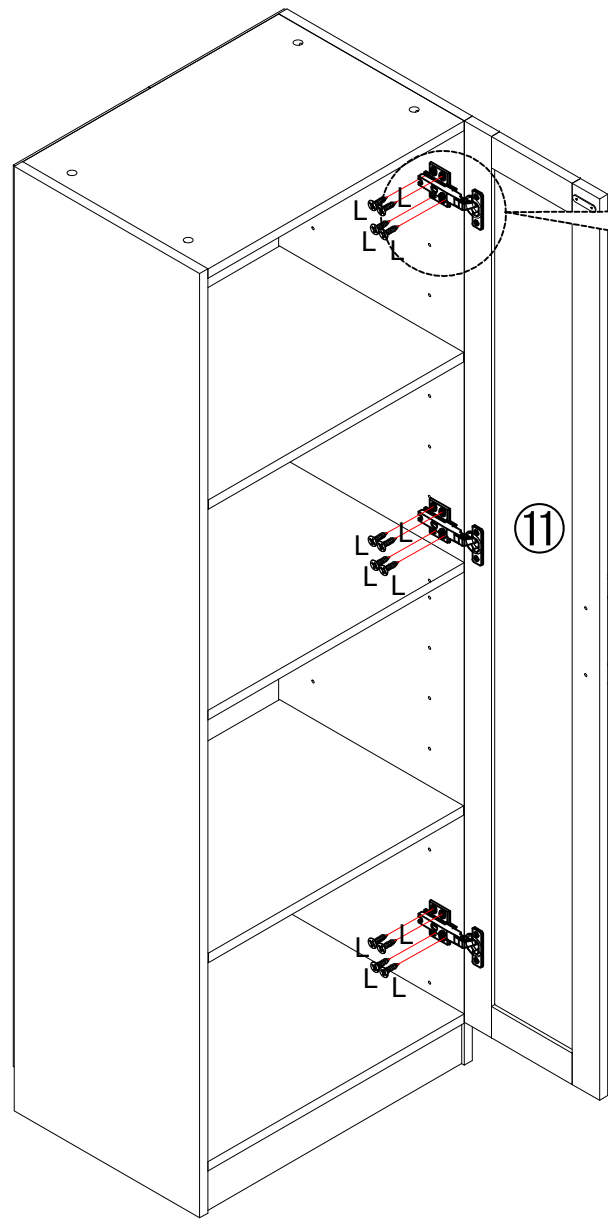


9



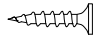
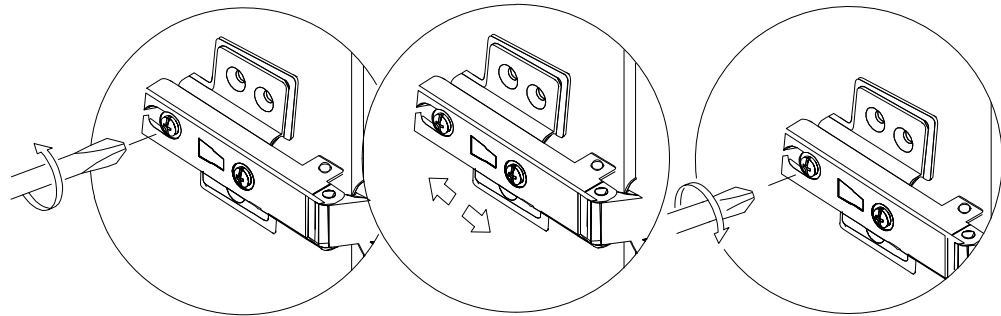
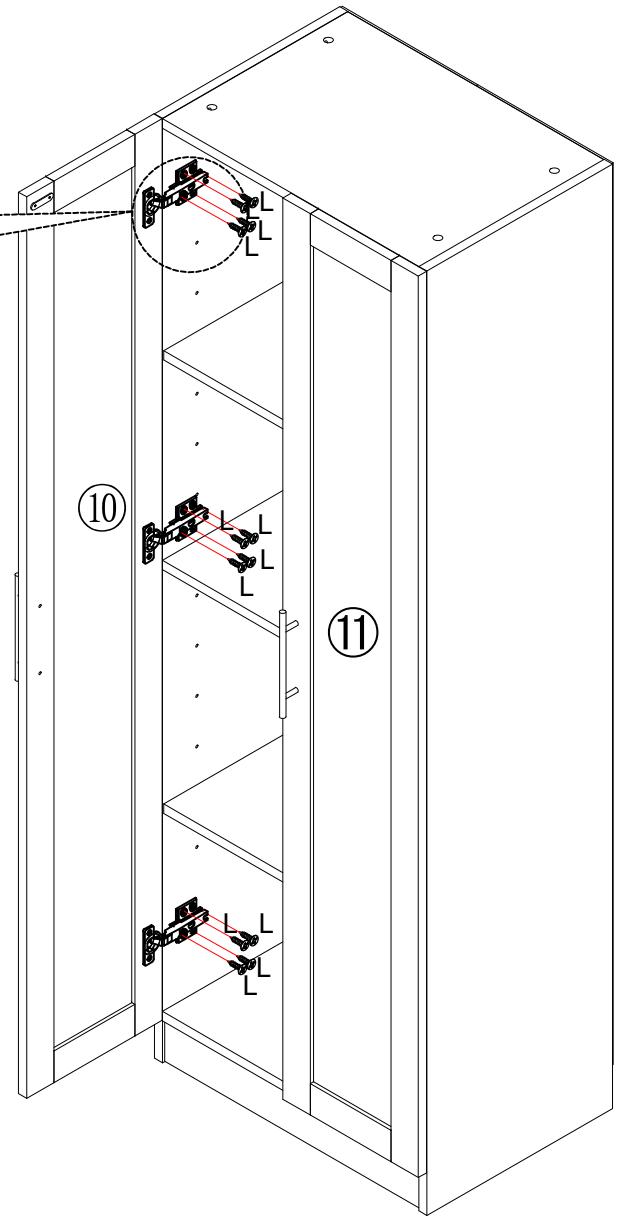
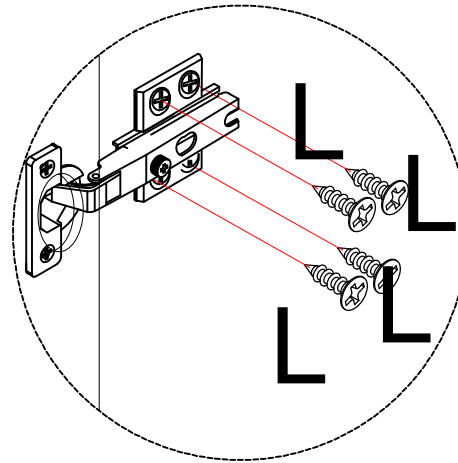
	D*6
	E*2
	F*4
	G1*2
	L*16

10



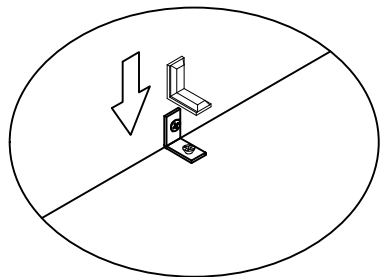
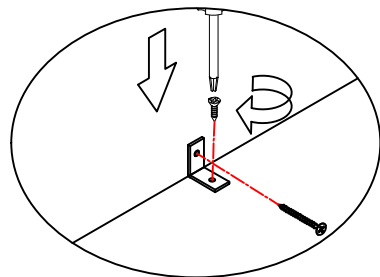
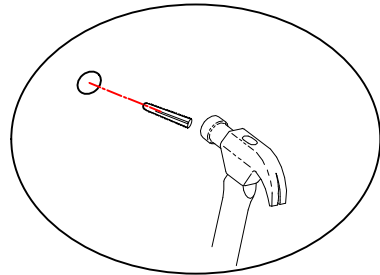
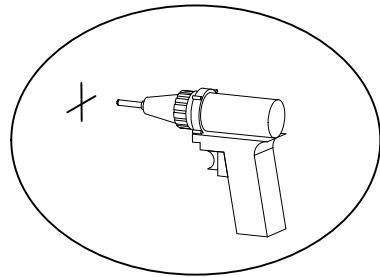
L*12

11

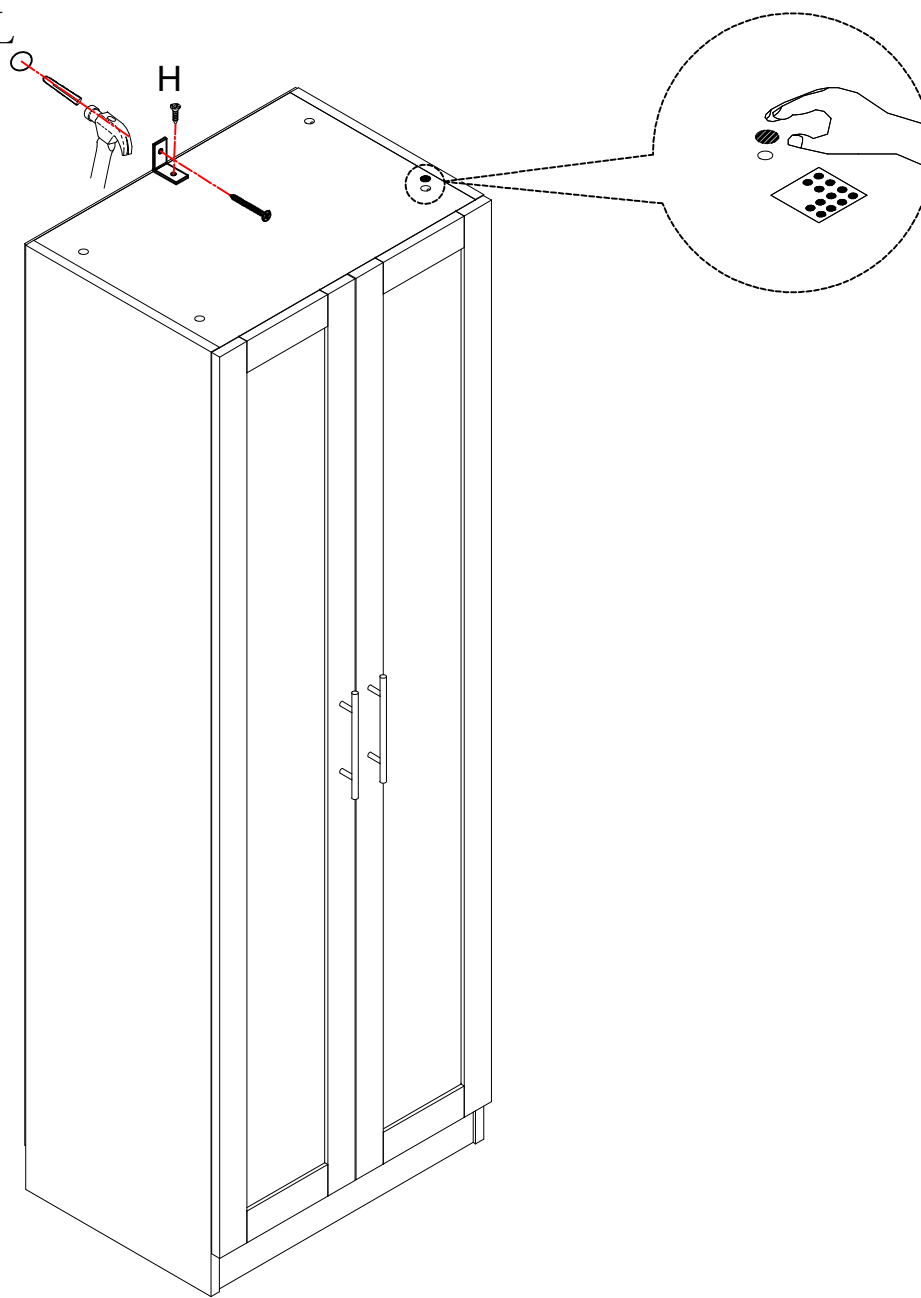



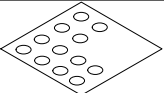
L*12

12



WALL



	H*1
	K*26

END