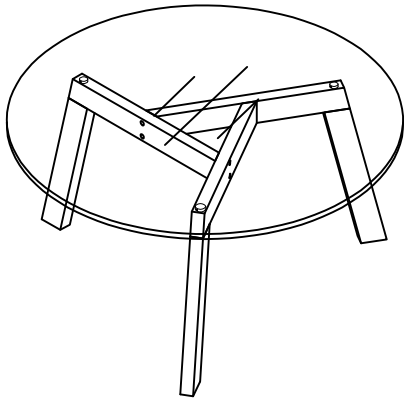


Assembly Instruction

NOTICE: Before assembly, move all parts and place them on a soft surface.

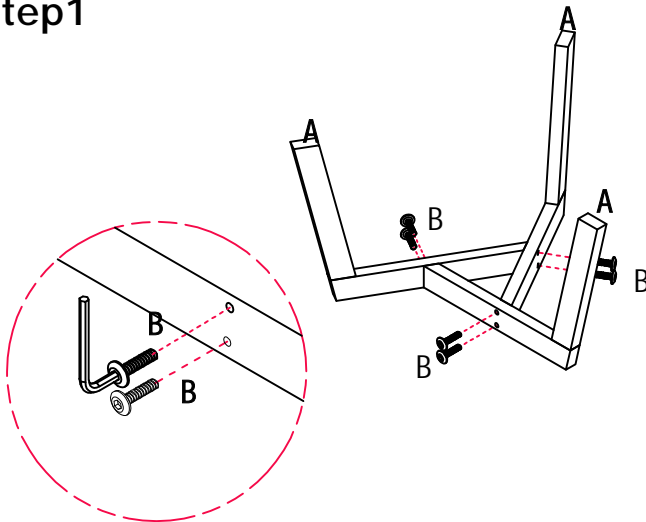


Note: If you find any missing or damaged accessories in your package, please contact us promptly and we will send you the corresponding accessories for free.

Hardware & Component

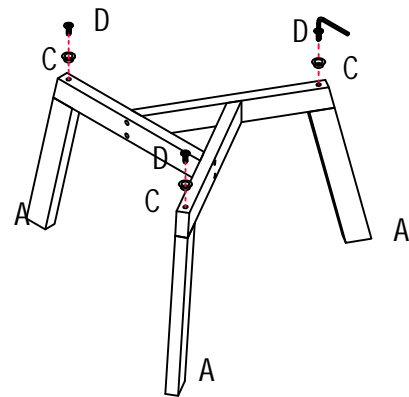
NAME	PICTURE	QTY
Panel		1
Part A		3
Part B		6
Part C		3
Part D		6
Hex key		1

Step1



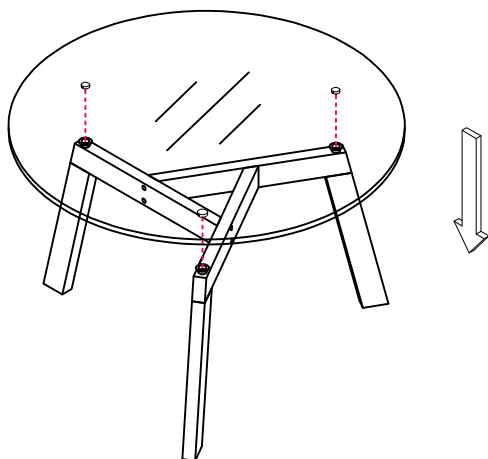
Screw the Part B into the holes of the Part A, Tighten and assemble the three Part A.

Step2



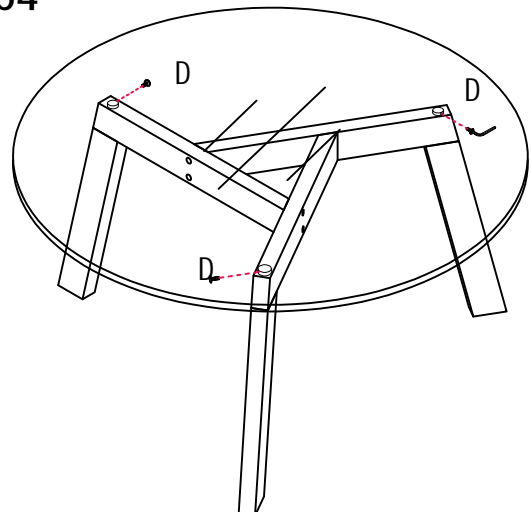
As shown in the picture, Install Part C onto Part A, and secure them with Part D

Step3



As shown in the picture, Align the holes and place the panel on the table legs.

Step4



As shown in the picture, Screw the Part D into the corresponding hole.