



Installation Instructions For Pre-Attached Long Plates

Passage and Privacy

With step-by-step Installation Pictograms & Drilling Template

Applies to:

Craftsman • Mission • Prairie • Deco • New York • Egg & Dart
Meadows • Victorian



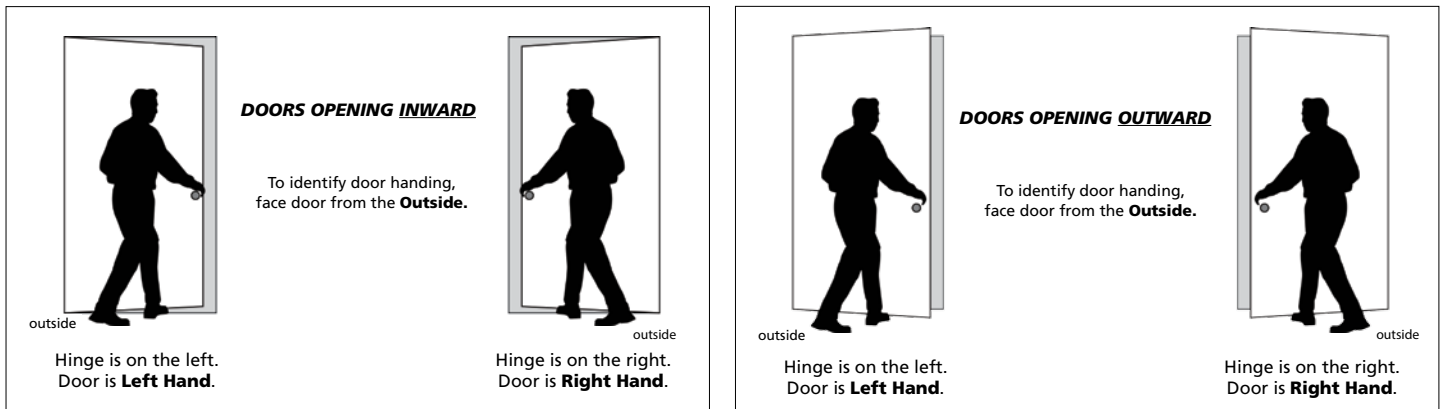
Tools Required: #2 Phillips Screwdriver, electric drill, 7/64" drill bit

Door Handing - Long Plates

Door handing is critical for Split-Finish, or Split-Design products in the privacy function. And, it's helpful positioning the latch tongue in relation to the strike plate.

Inside of Door - The **Inside** of a door refers to the side of the door that faces the room. For example, for a bedroom door on a hallway, the **Inside** of the door would face the bedroom.

Outside of Door - The **Outside** of a door refers to the side of the door that faces away from the room. The **Outside** of a door is generally more visible to visitors, and therefore a rosette on this side of the door has no visible screws. For example, on a bedroom door, the **Outside** would face the hallway.



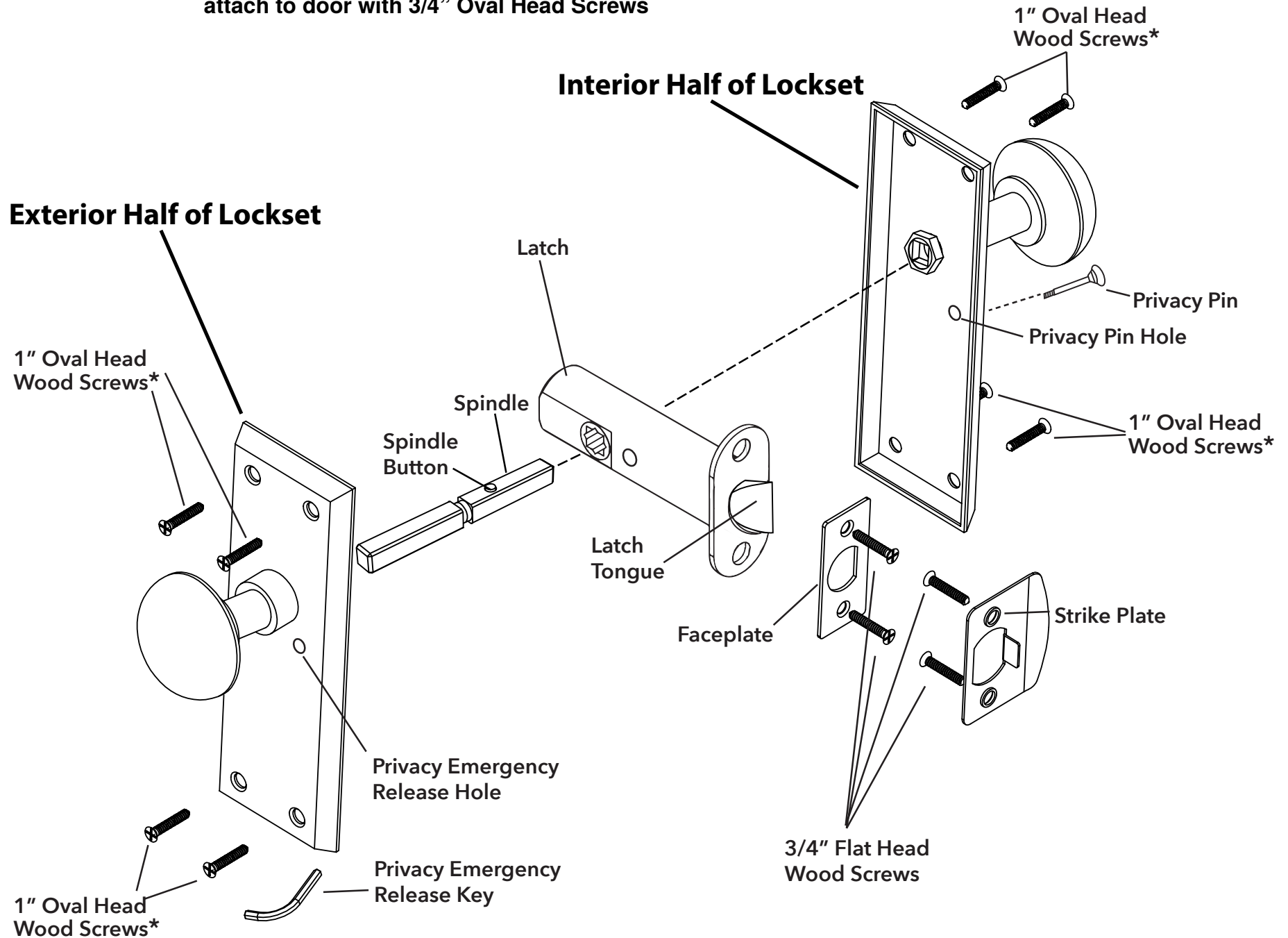
INSTALLATION RULES:

- 1) Long Plate wood mounting screws should **NOT** be installed using power tools.
- 2) Privacy pin holes are next to the door side containing the latch.
- 3) Latch tongues have a beveled side, and this side should contact the curved end of the face plate, and curved end of the strike plate.
(See ***Latch Tongue Note** on page 3.)



Exploded Drawing for Pre-Attached Long Plate Passage/Privacy

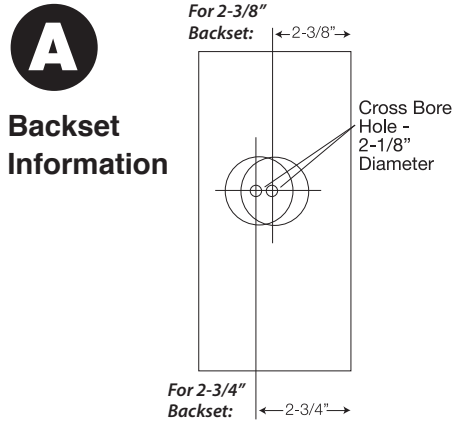
* Note: Craftsman and Mission Plates attach to door with 3/4" Oval Head Screws



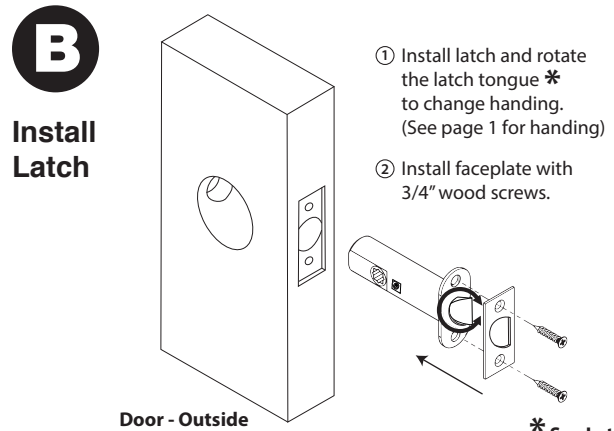
Installation Instructions For Pre-Attached Long Plates

**Fits doors
1-3/8" to 1-3/4" thick**

Passage/Privacy



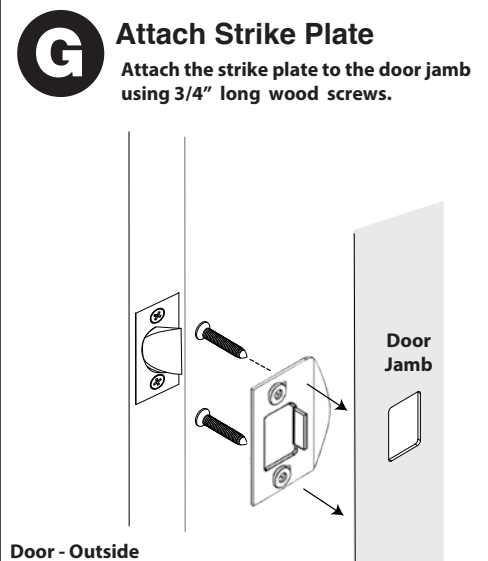
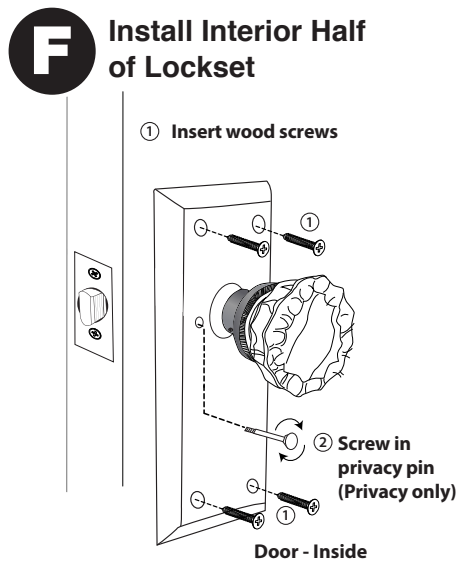
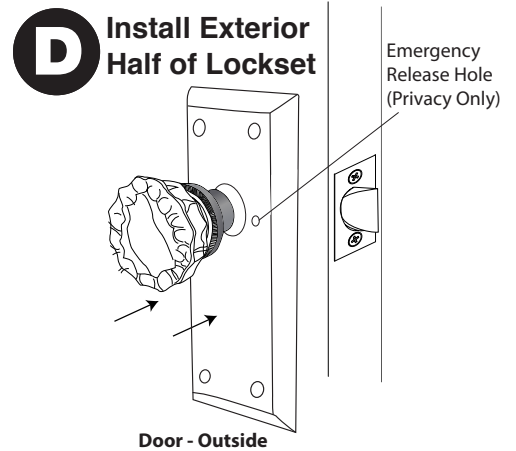
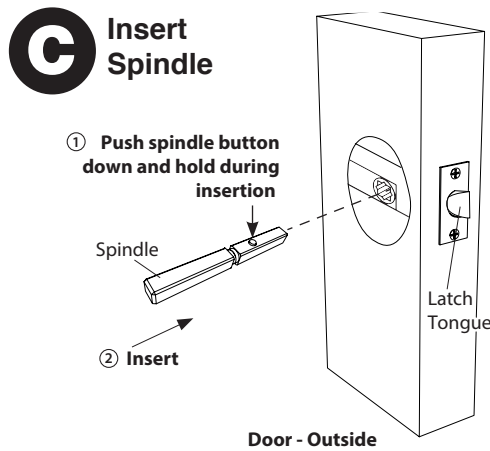
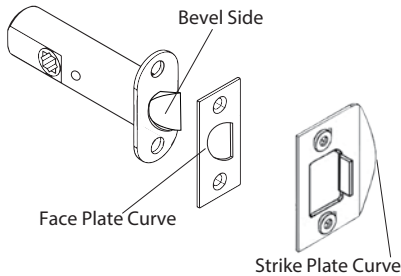
NOTE:
DRILLING
TEMPLATES
FOR
PILOT HOLES
ON SEPARATE
INCLUDED
SHEET



* See Latch Tongue Note in next panel

*** Latch Tongue Note**

Bevel side of latch tongue should contact curved end of face plate, and curved end of strike plate.



DUMMY INSTALLATION AND DOOR PREPARATION TEMPLATE

