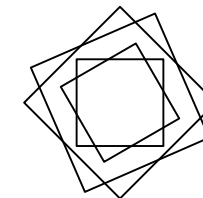
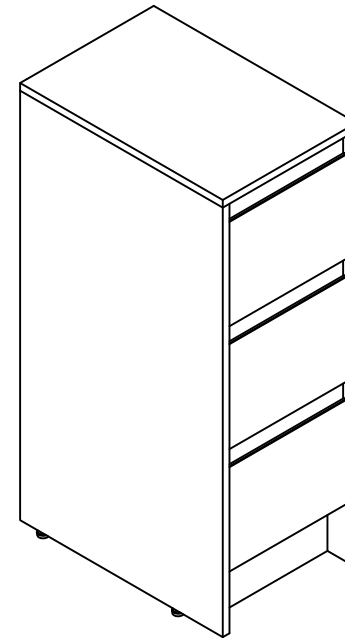


## THANKS FOR WATCHING

Your feedback is invaluable to us and we would love to hear about your experience. Please take the time to leave us a review.

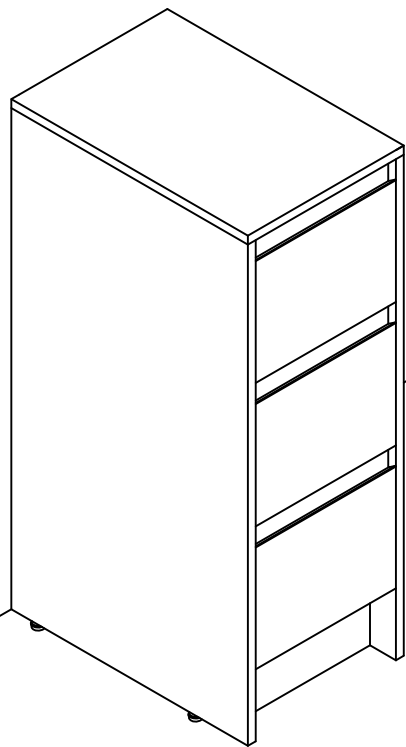


**Thank you for shopping with us!**

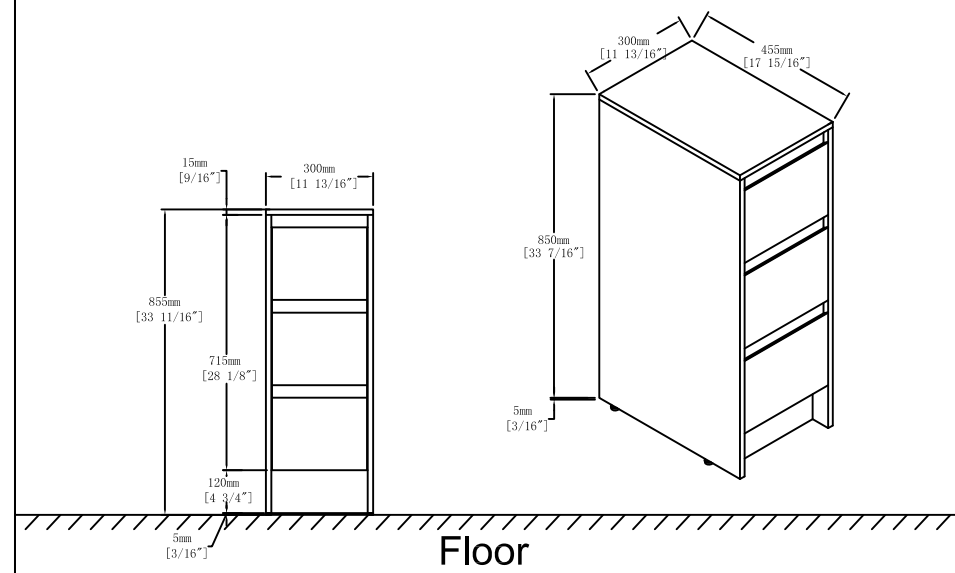
We encourage you to take a few minutes to go through this booklet. It contains important information on installation and care tips to keep your furniture looking as good as new.



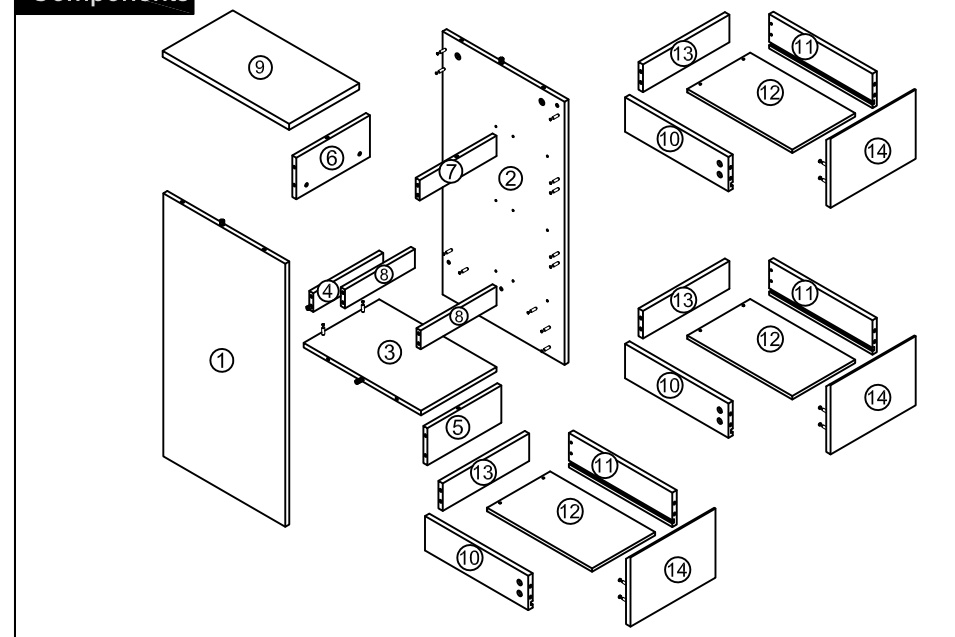
# Finished



# Dimensions



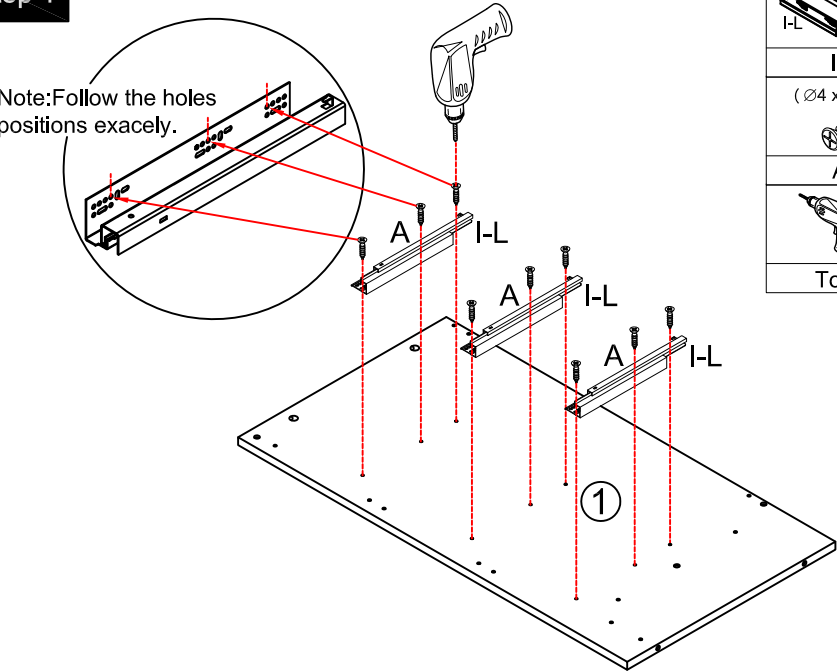
# Components



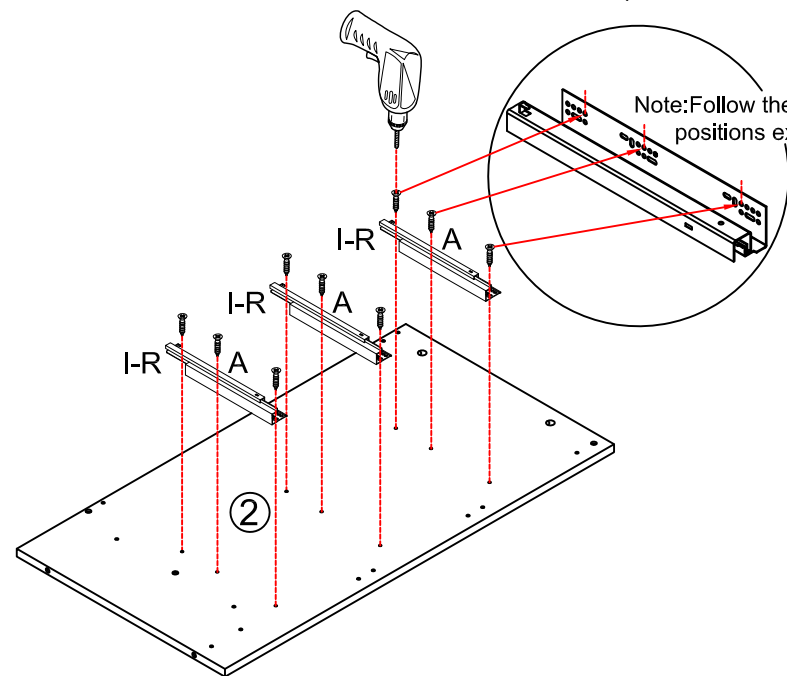
# Step 1

Note: Follow the holes positions exactly.

- I-L I-R x3
- I
- (∅4 x 14mm)
- x18
- A
- Tool

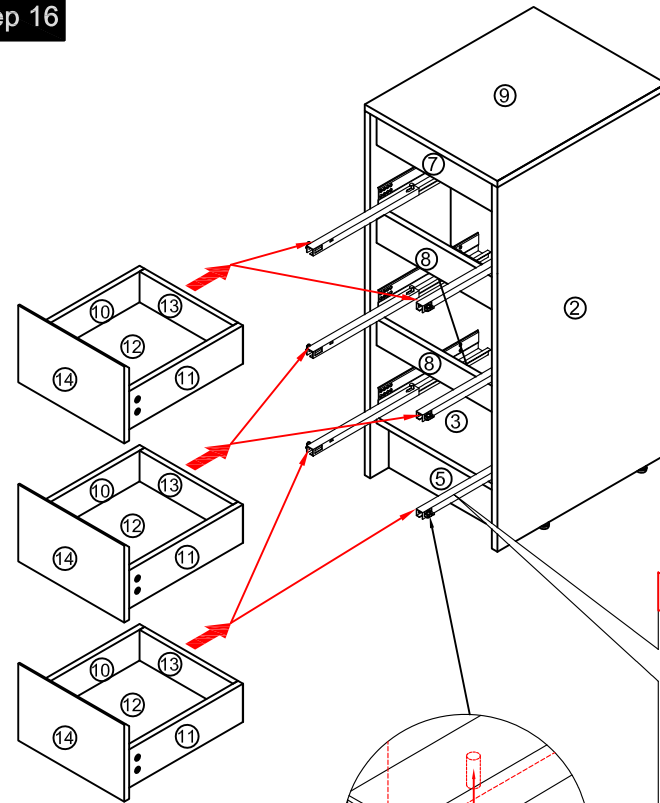


Note: Follow the holes positions exactly.

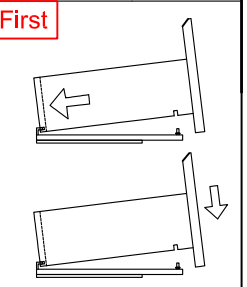


# Step 16

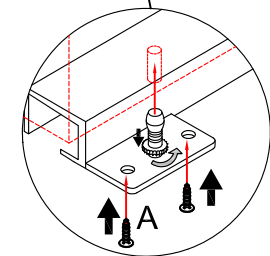
- (∅4 x 14mm)
- x12
- A
- Tool



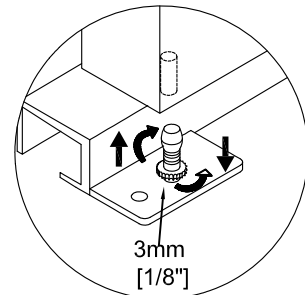
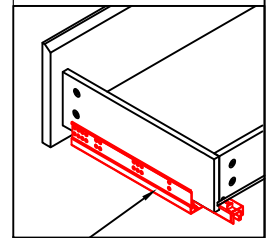
First



Third step: The bottom of the rail is fixed with screw A.

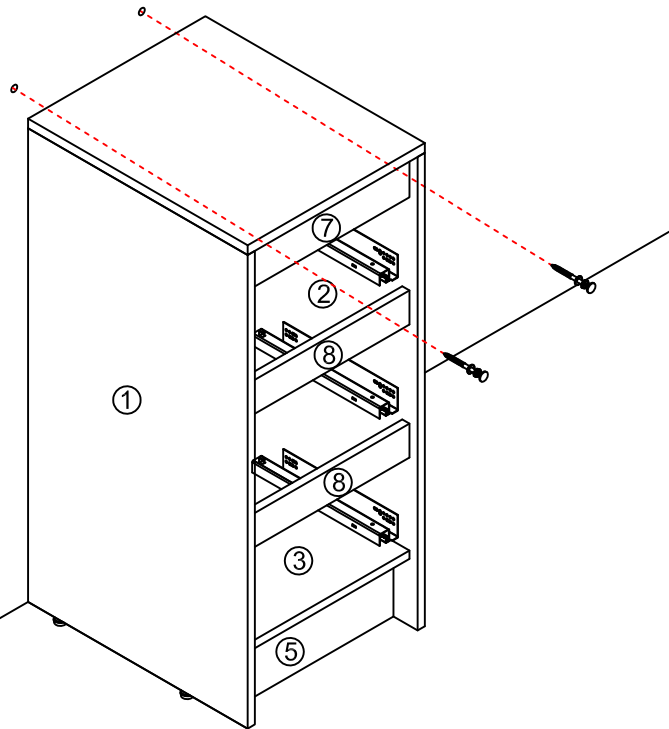
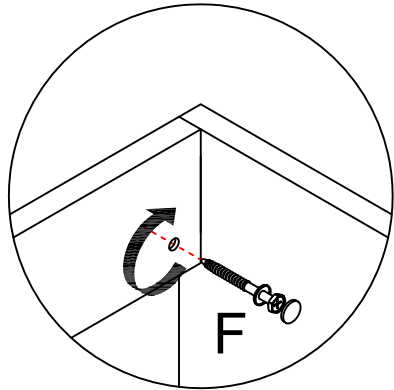
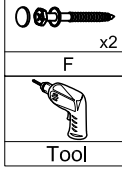


Second step: Tuck the rear holes.

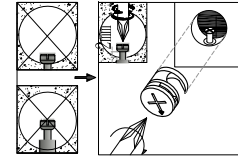
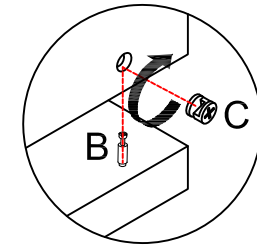
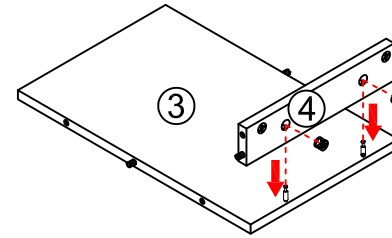
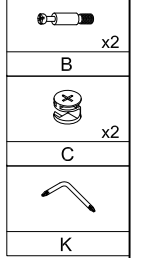


Note: The rails adjust their height 3mm.

### Step 15

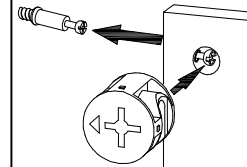


### Step 2

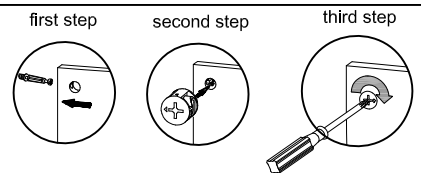
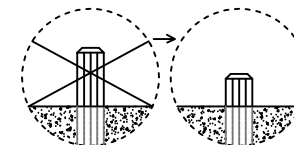
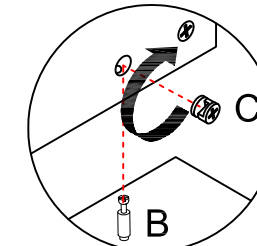
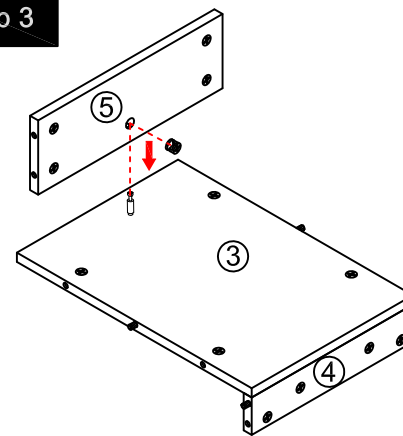
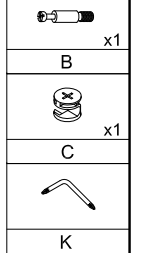


Notes: Screw installation depth as shown

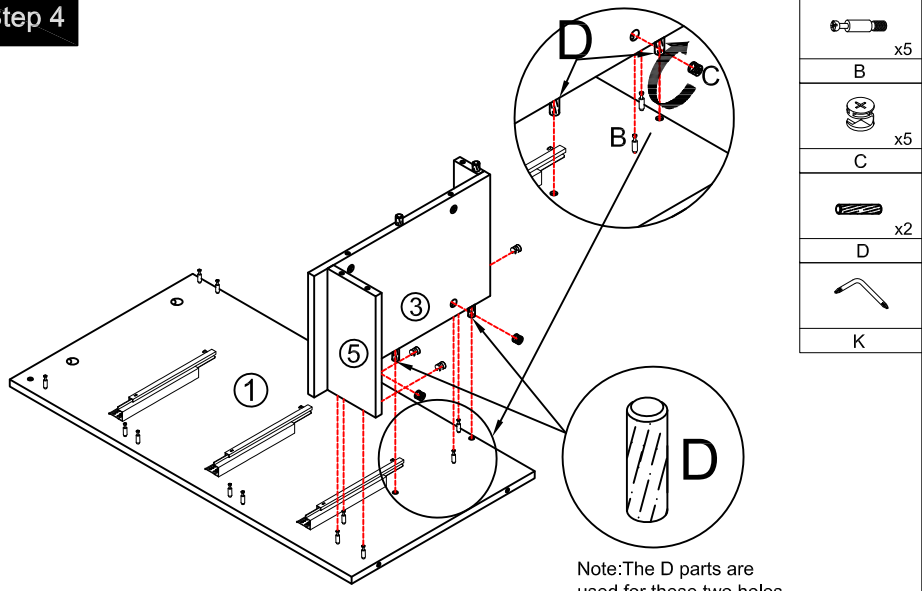
Attention: Cam lock arrow point to the steel rod.

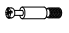





### Step 3

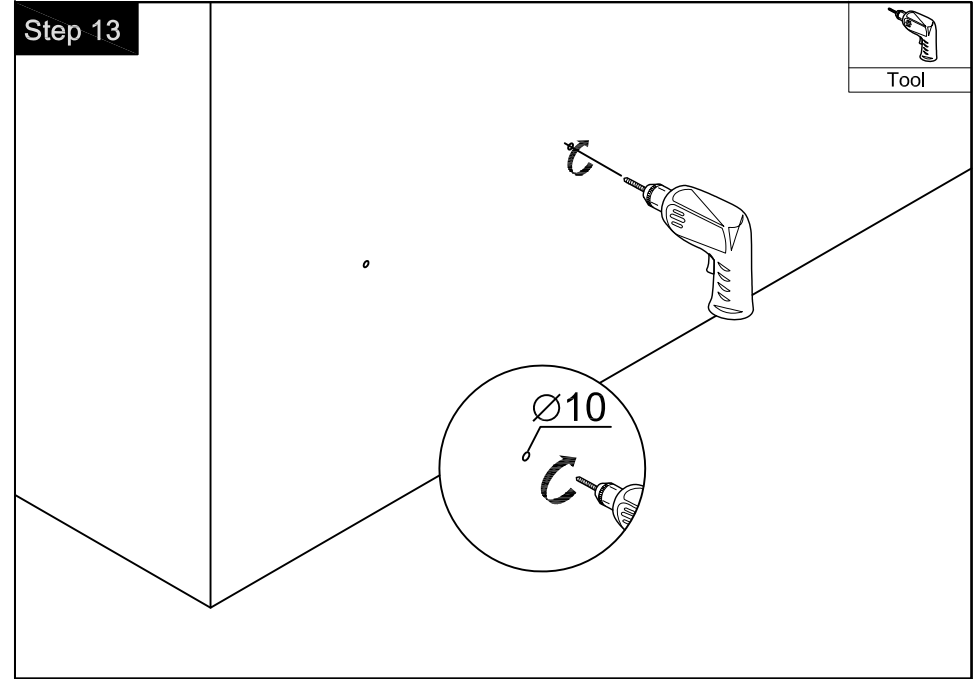


### Step 4

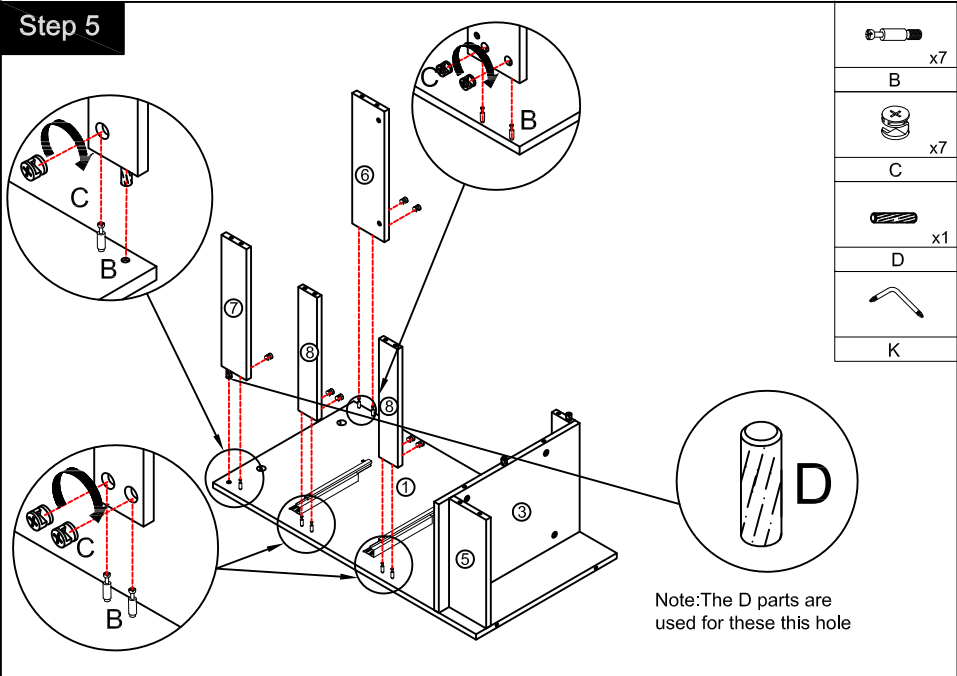


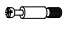



-  x5
-  x5
-  x2
- 

### Step 13

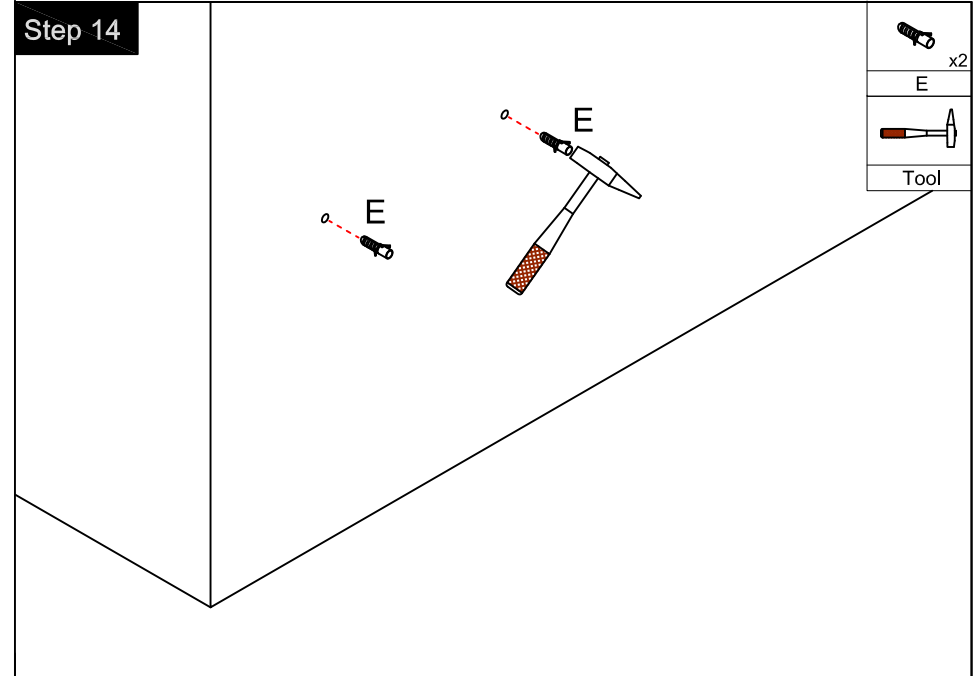


### Step 5

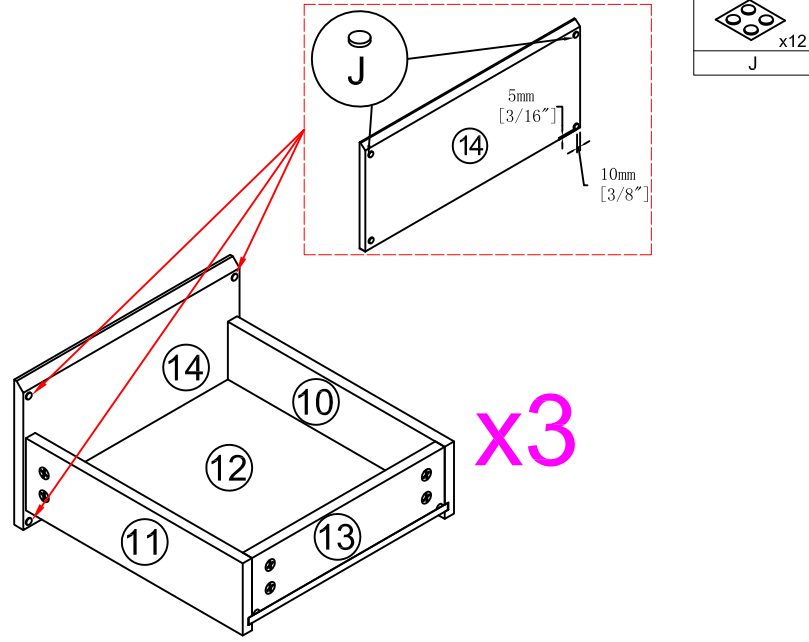


-  x7
-  x7
-  x1
- 

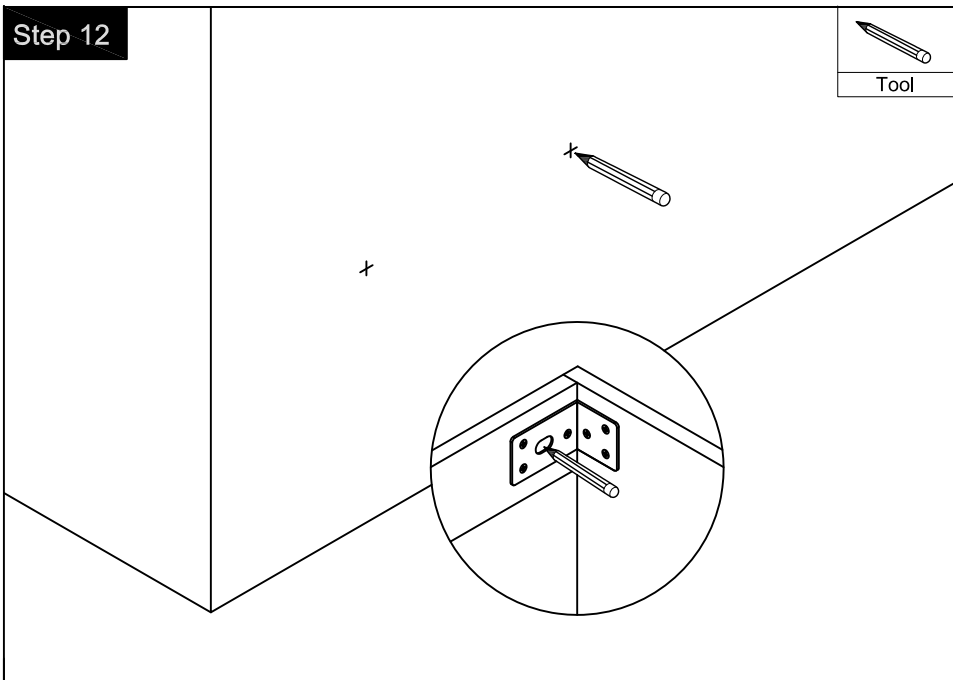
### Step 14



Step 11



Step 12



Step 6

