



NOTE:

This brochure contains IMPORTANT safety info. Please read and keep for future reference.

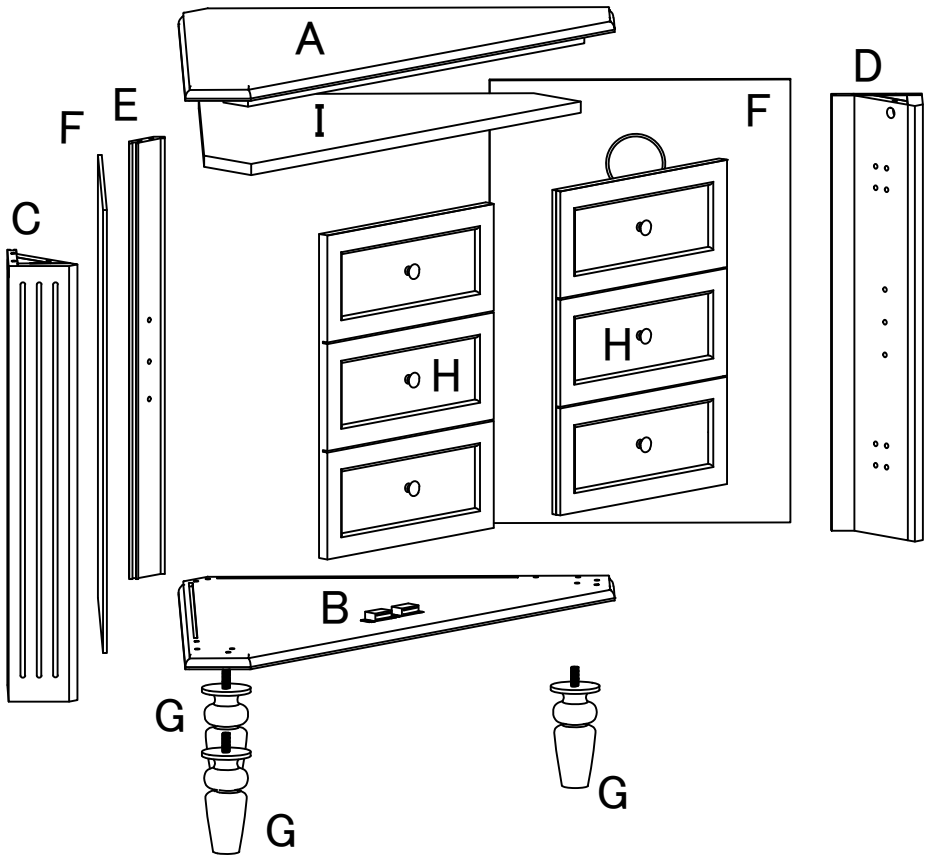
MAINTAINANCE AND WARNING

- 1.Keep furniture away from heat sources.
- 2.Do not clean furniture with harsh cleaner or polishes.Do not use detergents,solvents,abrasives,spray packs or leather cleaner. Use non-color mild soa with warm water to clean spills(Mix 1:23 soap to water).
- 3.Do not place furniture under direct sunlight,material will possibly fade over time.
- 4.Do not use on site dry cleaning machine.Children should not climb or jump on the furniture.
- 5.Do not write on furniture that is not protectedby a padded barrier.
- 6.Not for commercial use,only for residential use.

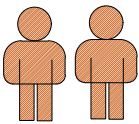
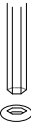


Weight Limitation
110 LBS

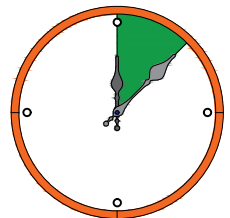
EXPLOSIVE VIEW



Tools needed

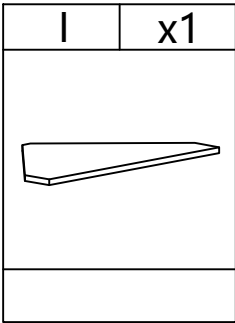
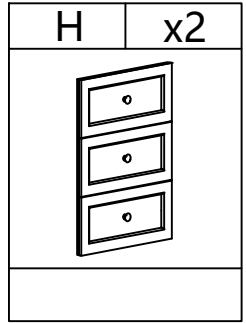
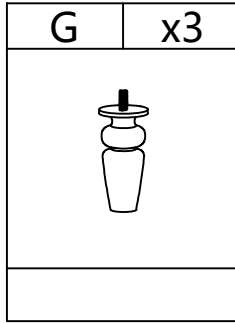
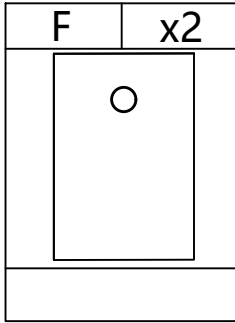
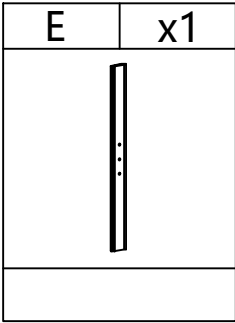
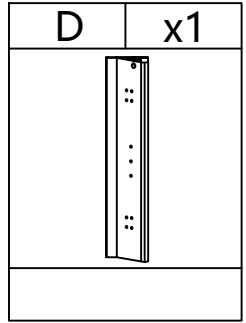
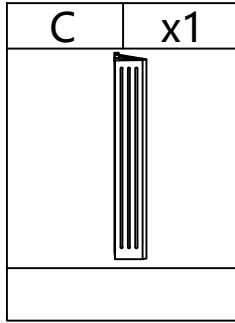
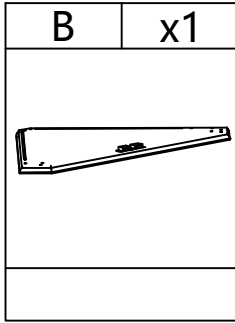
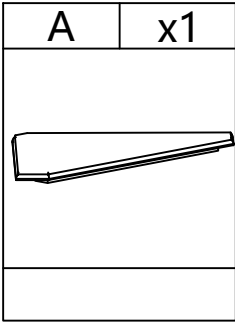


Two persons









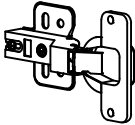

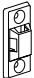




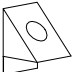



Around 40 min


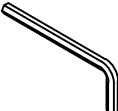
PARTS LIST




HARDWARE LIST


#1	x4	#2	x8	#3	x8	#4	x8	#5	x24
									
#6	x6	#7	x6	#8	x3	#9	x4	#10	x8
									
#11	x4	#12	x4	#13	x4	#14	x4	#15	x2
									
		M3.5*14mm		M4*35mm					
#16	x8	#17	x8						
									


TOOL LIST


#18	x1	#19	x1
			


HARDWARE SPARE LIST


#1	x1
	


#2	x1
	


#3	x1
	

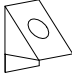
#4	x1
	


#5	x2
	

#6	x1
	

#10	x1
	

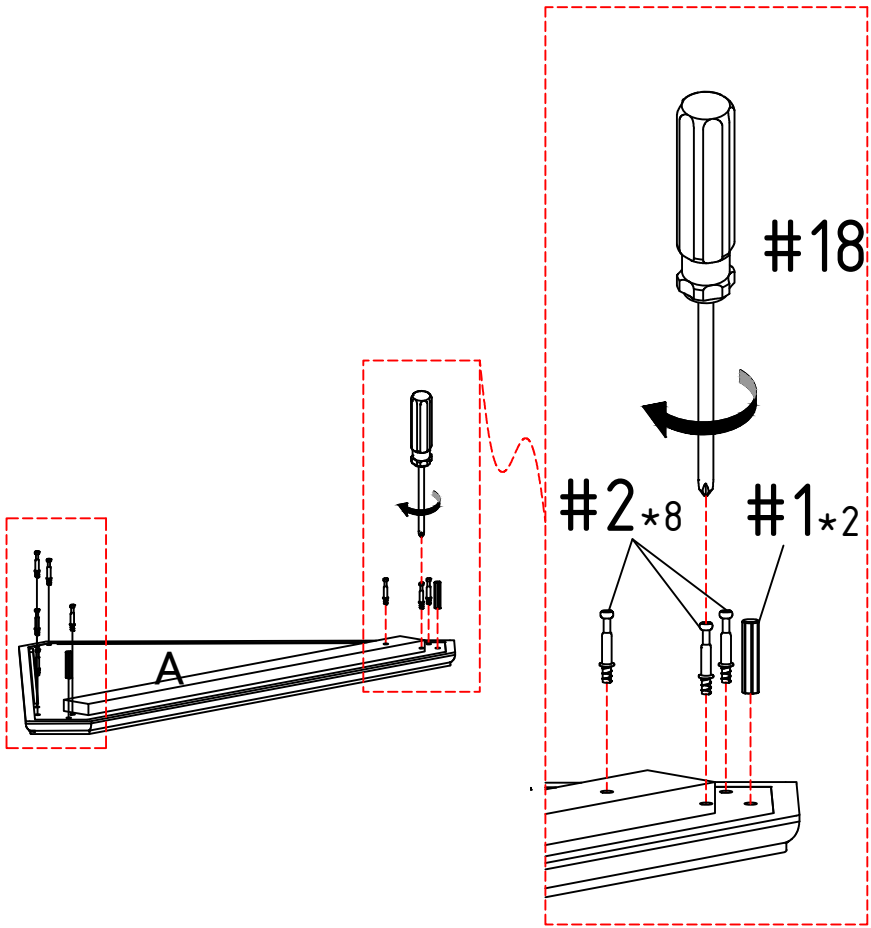
#13	x1
	




#16	x1
	

#17	x1
	

ASSEMBLY INSTRUCTIONS

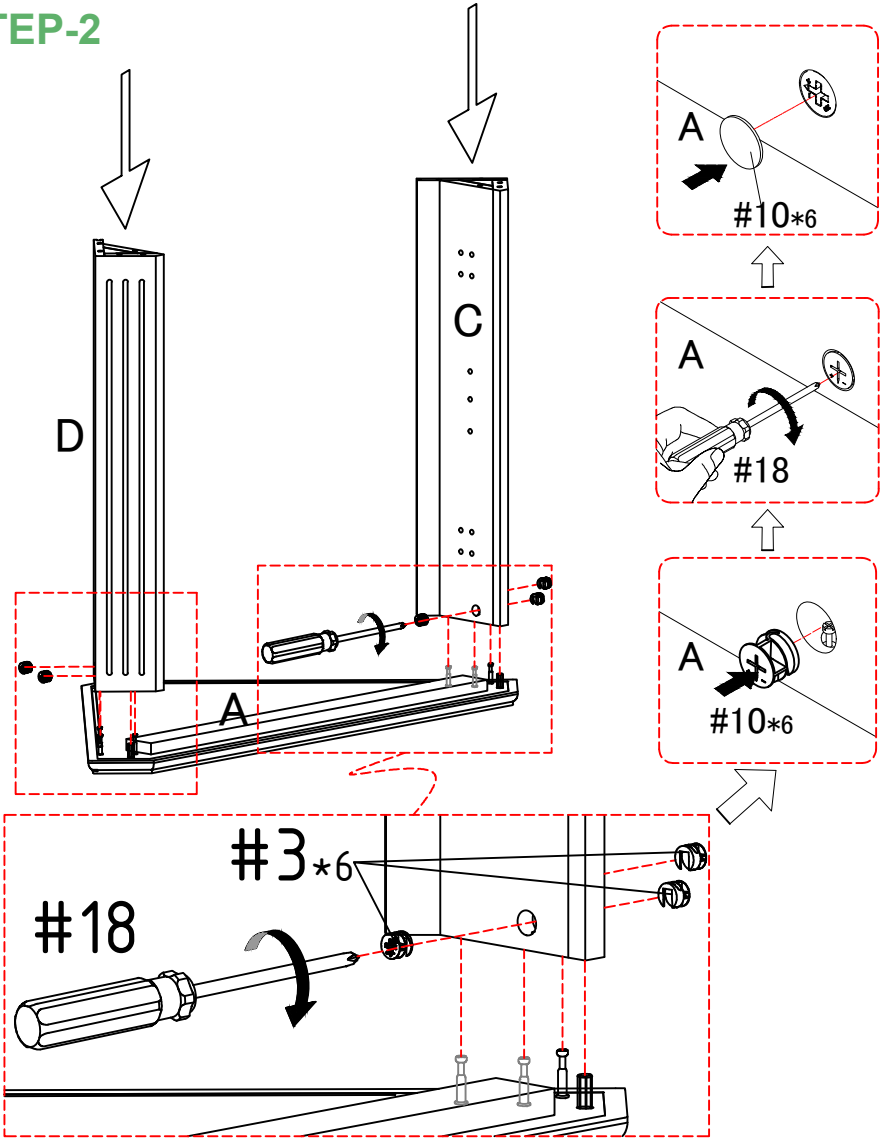
STEP-1






#1	x2	#2	x8	#18	x1
					

ASSEMBLY INSTRUCTIONS

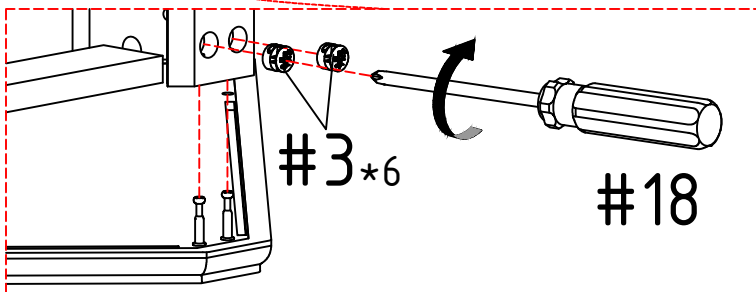
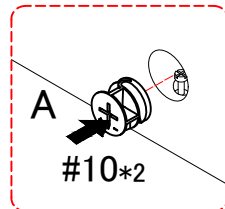
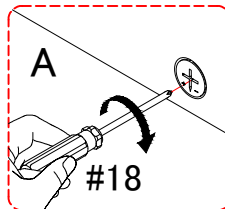
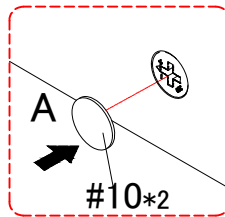
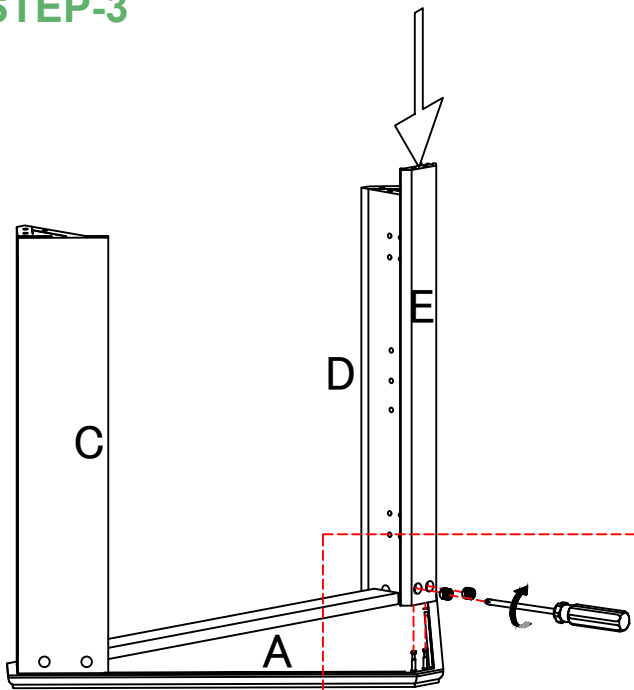
STEP-2



#10	x6	#3	x6	#18	x1
					

ASSEMBLY INSTRUCTIONS

STEP-3



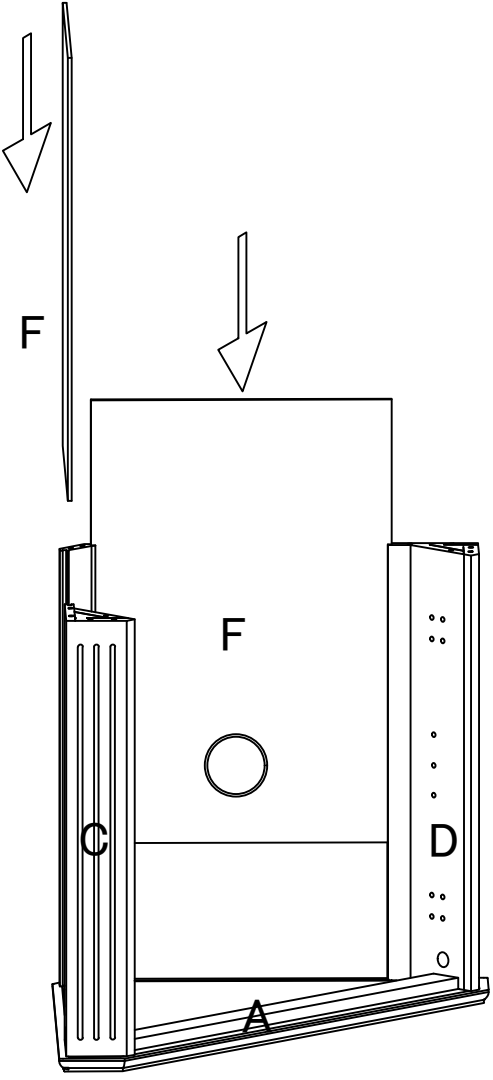
#10	x2

#3	x2

#16	x1

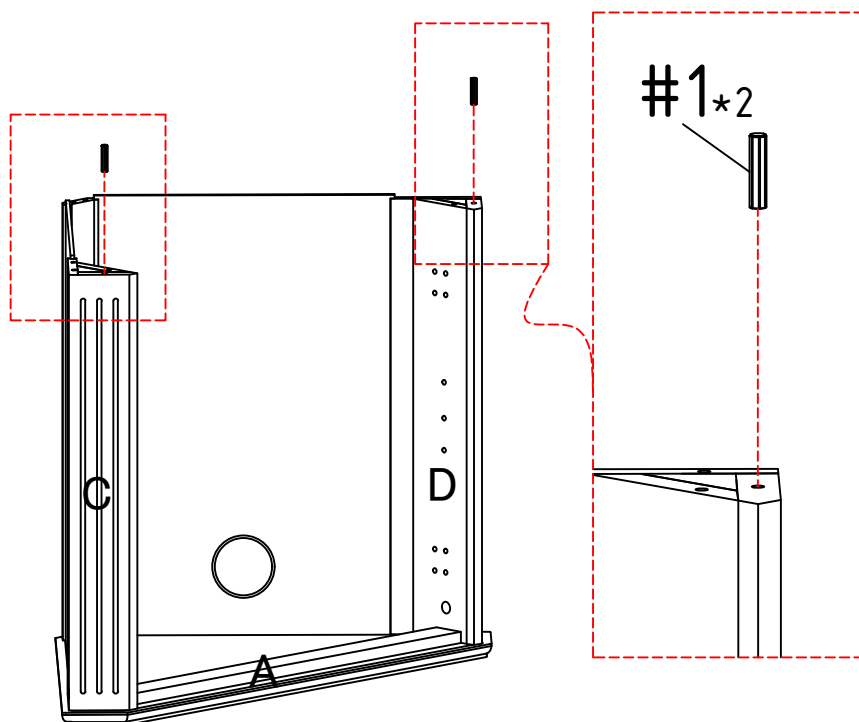
ASSEMBLY INSTRUCTIONS


STEP-4



ASSEMBLY INSTRUCTIONS

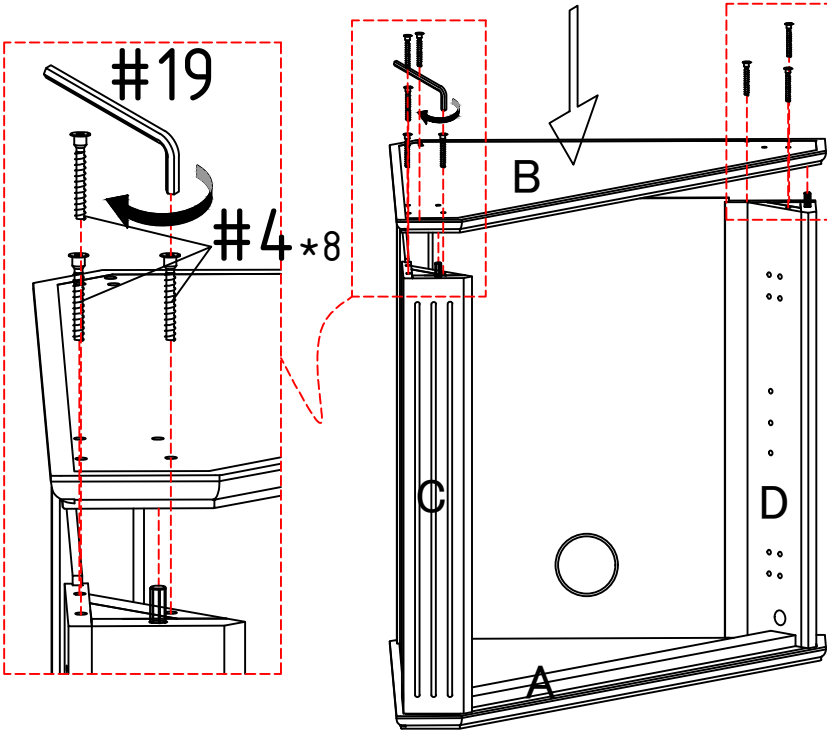
STEP-5




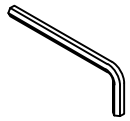
#1	x2
	

ASSEMBLY INSTRUCTIONS

STEP-6

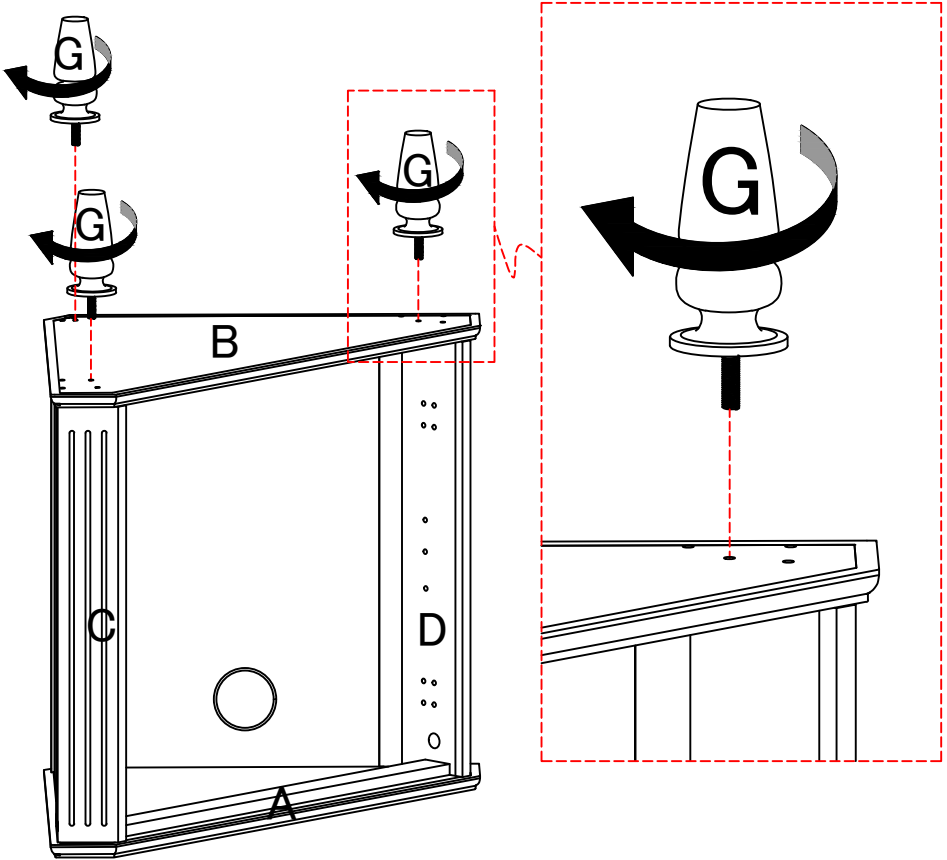


#4	x8
	

#19	x1
	

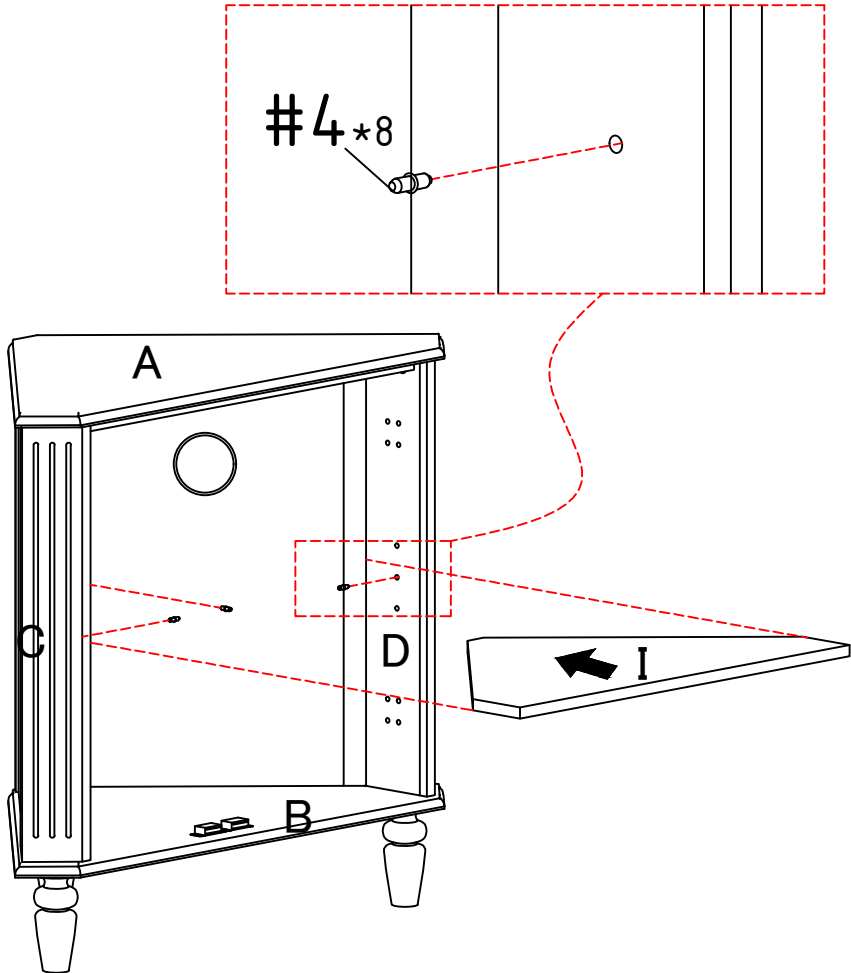
ASSEMBLY INSTRUCTIONS


STEP-7



ASSEMBLY INSTRUCTIONS

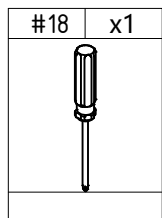
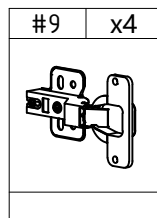
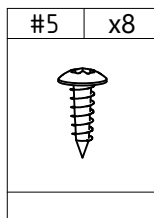
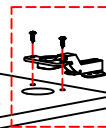
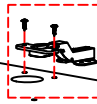
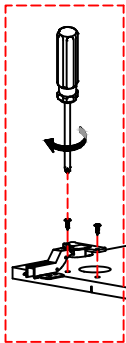
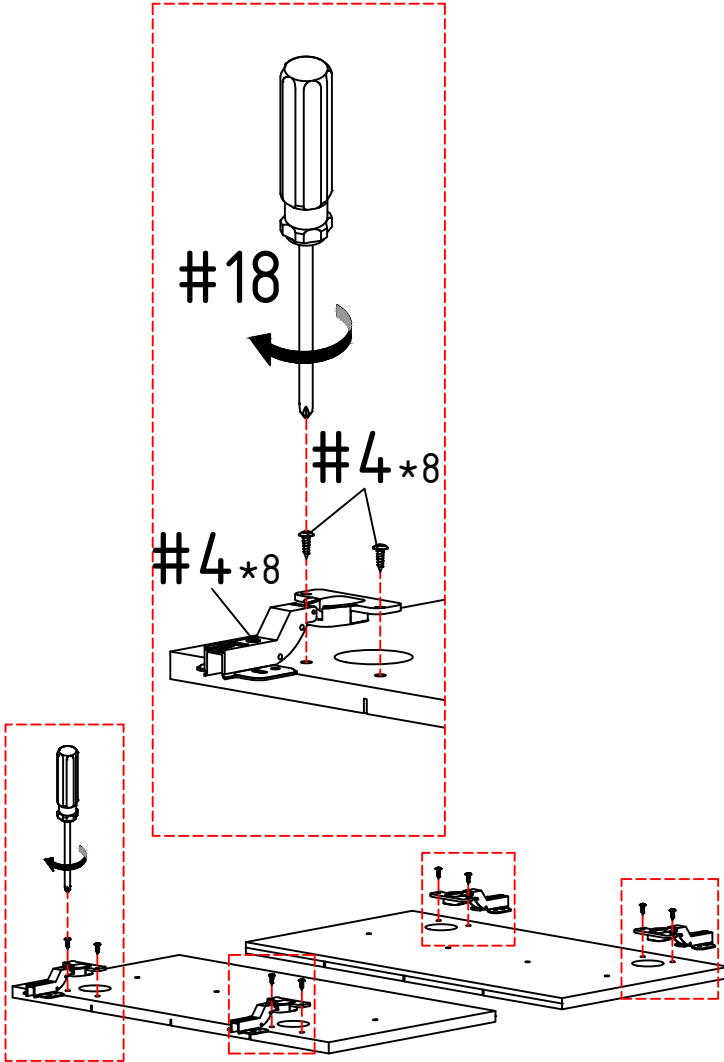
STEP-8



#8	x3
	

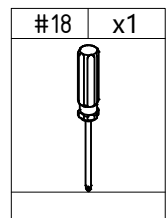
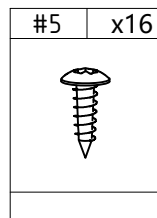
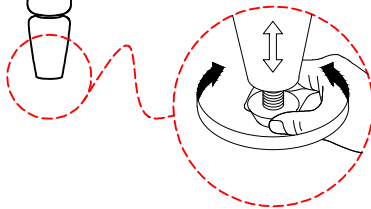
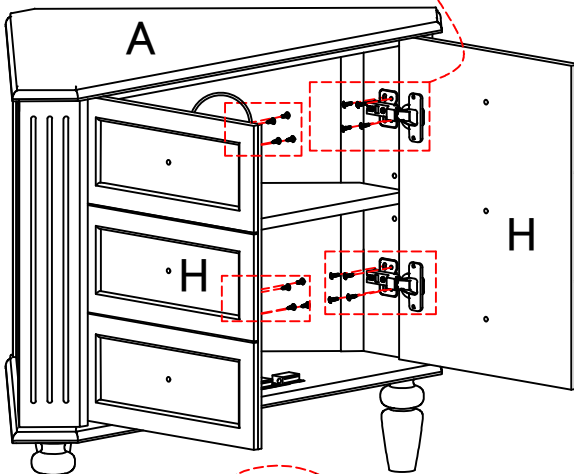
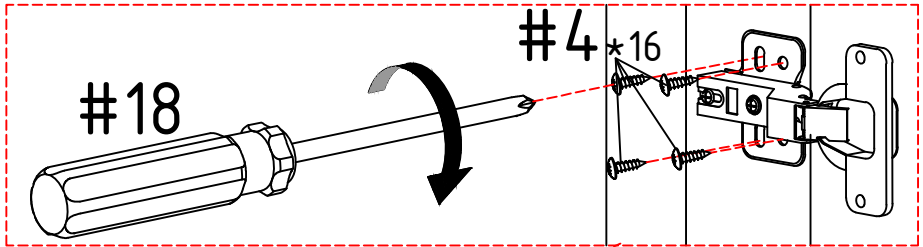
ASSEMBLY INSTRUCTIONS

STEP-9



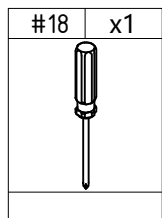
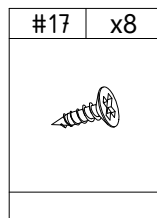
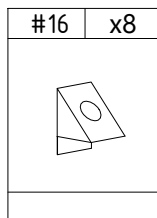
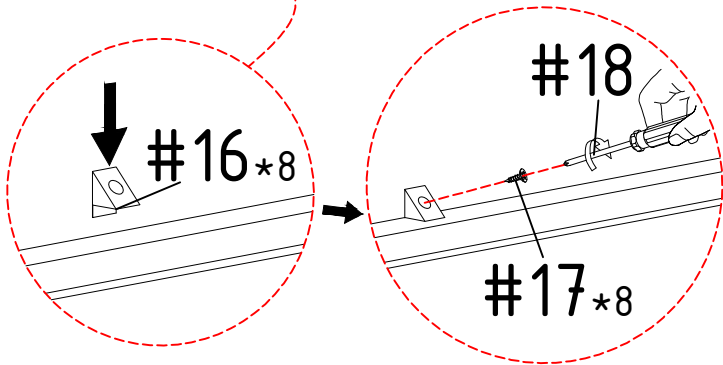
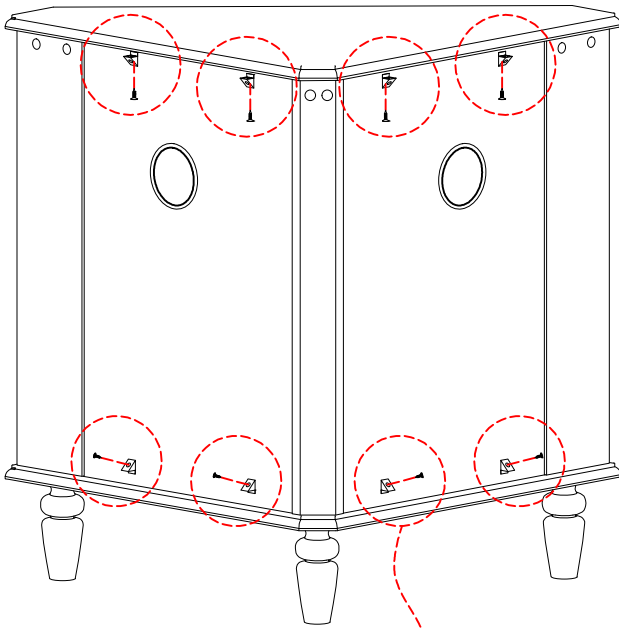
ASSEMBLY INSTRUCTIONS

STEP-10



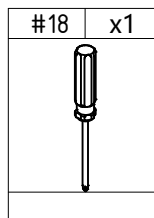
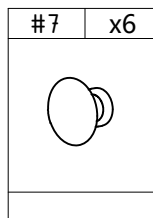
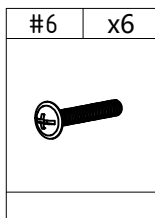
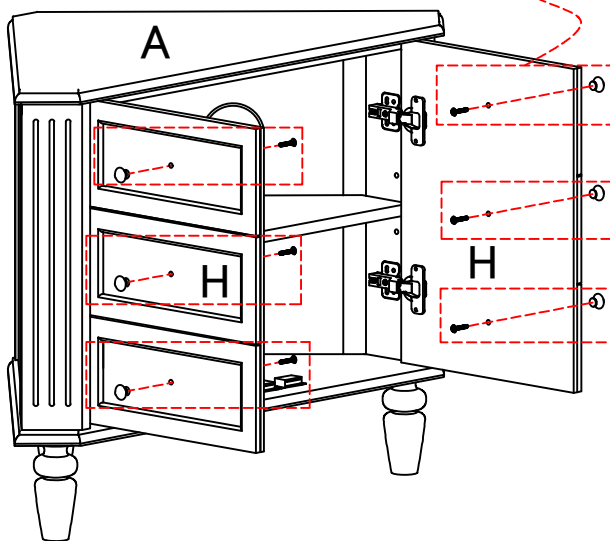
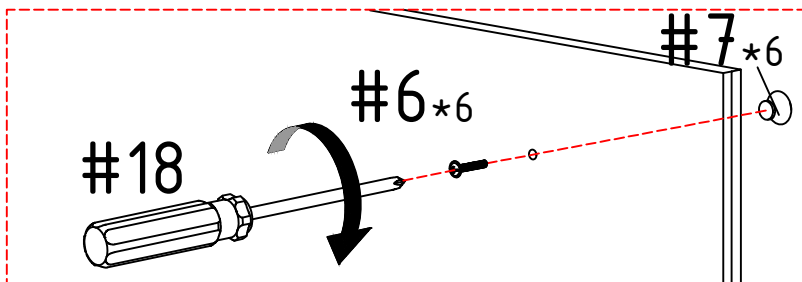
ASSEMBLY INSTRUCTIONS

STEP-11



ASSEMBLY INSTRUCTIONS

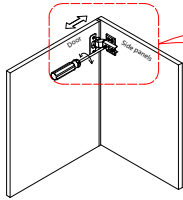
STEP-12



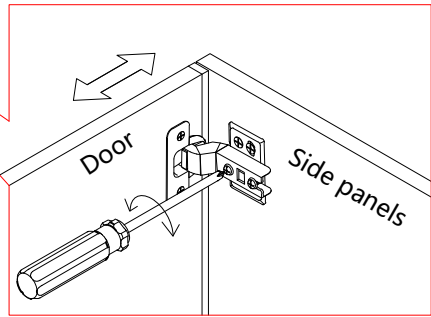
ASSEMBLY INSTRUCTIONS

HINGE ADJUST

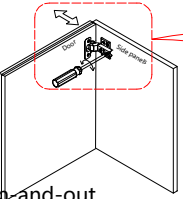
Concealed hinges are three-way adjustable:



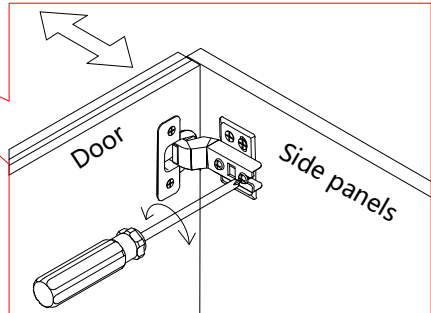
Horizontal
by screw adjustment!



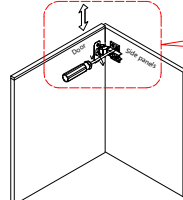
Concealed hinges are three-way adjustable:



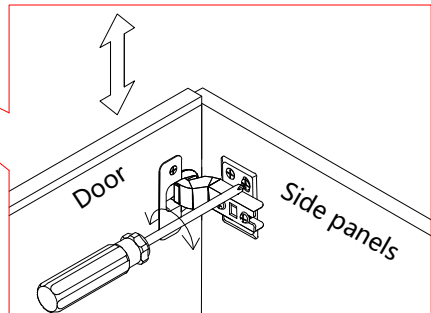
In-and-out
by loosening the hinge arm
mounting screw or via cam
adjustment!



Concealed hinges are three-way adjustable:



Vertical via slots in
the mounting plate
or via cam
adjustment!






Hinge adjustment method



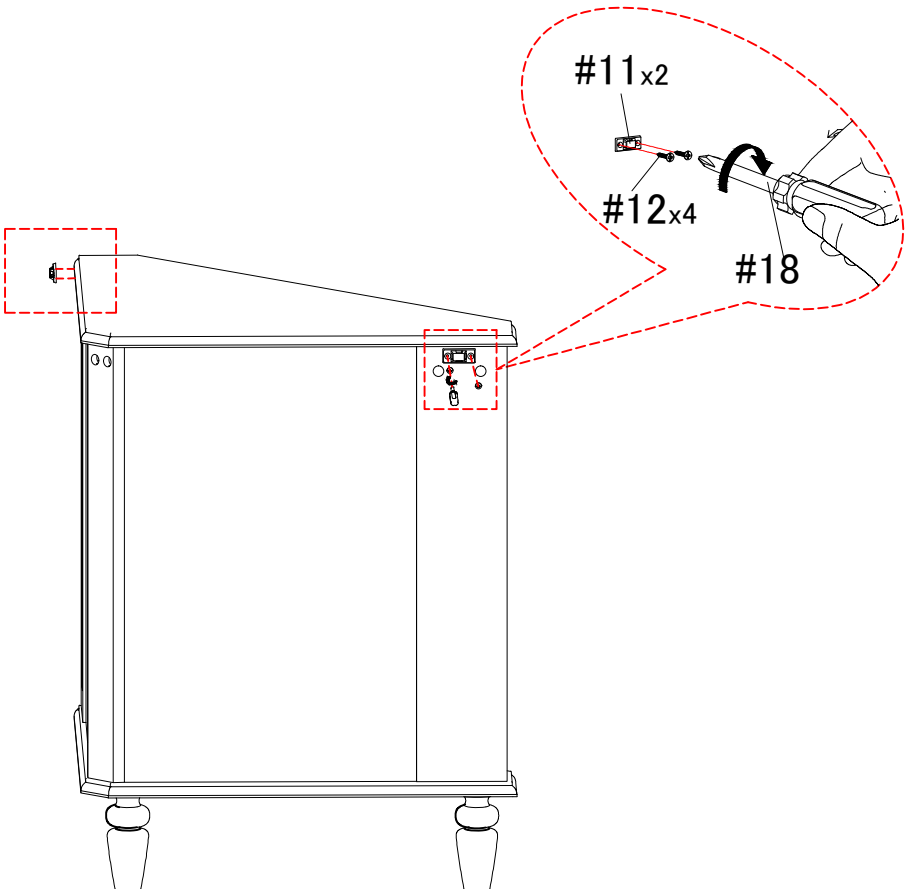
Video for door adjustment

ASSEMBLY INSTRUCTIONS





#12	x4	#11	x2	#18	x1
					
M3.5*14mm					

STEP-13

Use screw #12 to attach plastic bracket #11 to panel (A), tighten screw #12 with screwdriver #18.

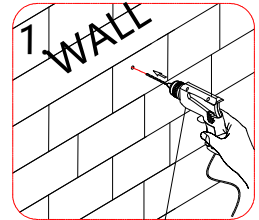
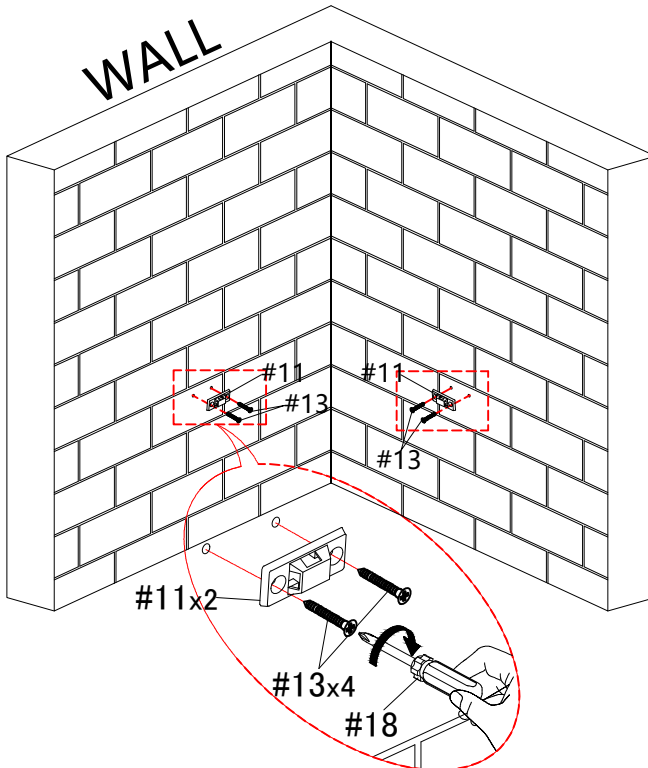


ASSEMBLY INSTRUCTIONS

#13	x4	#18	x1	#11	x2	#14	x4
							
M4*35mm							

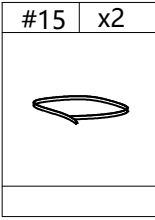
STEP-14:

1. Mark the position on the wall, that corresponds to the location of bracket #11 on the top panel (A); Drill and insert the expandable screw #14 by hammer.
2. Assemble the bracket #11 to the wall. Align the hole in the bracket #11 with the expandable screw #13, use screw #13 to attach it, tighten screw #13 with screwdriver #18.



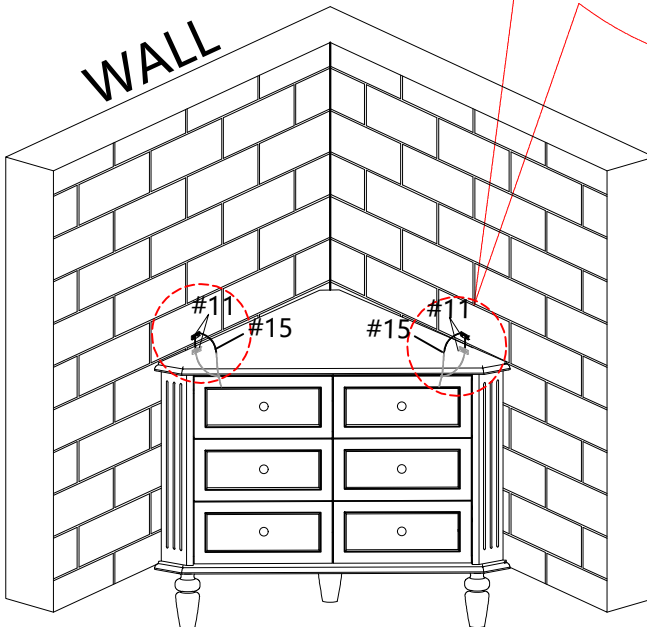
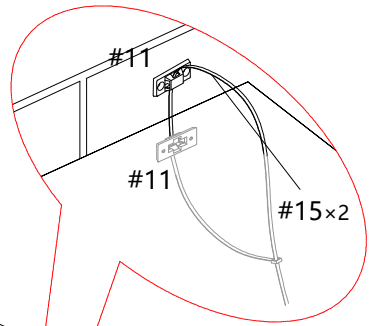
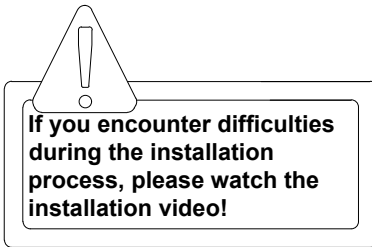
NOT PROVIDED

ASSEMBLY INSTRUCTIONS



STEP-15

3. Let the plastic belt #15 pass through bracket #11 and pull tightly.



WARRANTY

1. We strive to offer high-quality products, and we also try our best to satisfy each and every customer that orders from us with product or service as needed.
2. We provide 30 days warranty starting from the time you receive the item. Each customer must provide a record of their order such as the order number, or item receipt for any items that are out of the warranty period you may also still receive.
3. Replacement parts by purchasing them with our company if they are available.

Appreciate your purchasing from us.
Pop up your life by our furniture piece!