











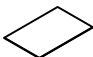










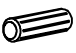

# ASSEMBLY INSTRUCTION FOR ACME FURNITURE

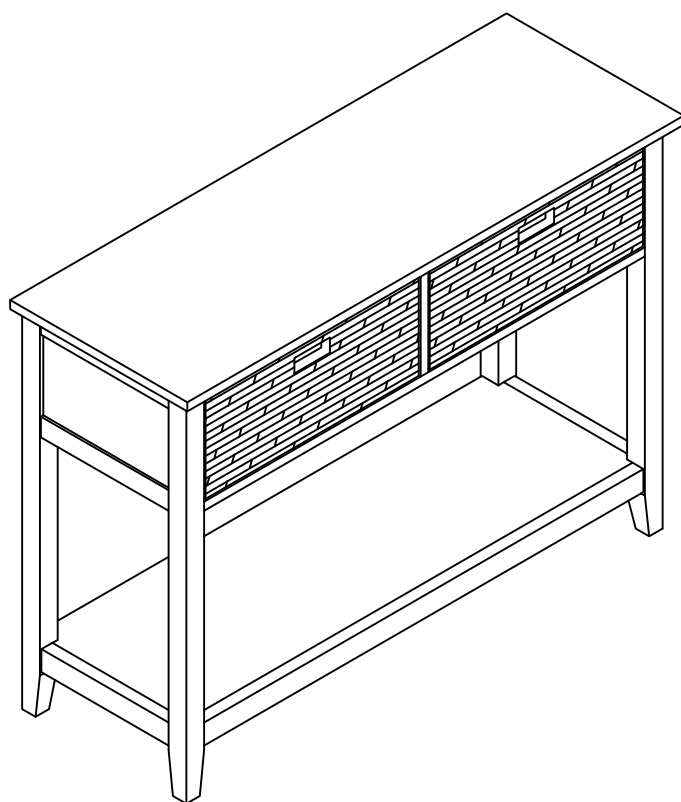
Thank you for purchasing this quality product. Be sure to check all packing material carefully for small parts which may have come loose inside the carton during shipment. Separate, Identify and count all parts and metal hardware. Compare with parts list to be sure all parts are present. If any part(s) are missing or damaged, please contact your local furniture dealer. For efficient and speedy service, please indicate the model number and code letter of part(s) needed.

**\*\*\* Do not fully tighten screws until fully assembled \*\*\***

COMPONENT PARTS			
DESCRIPTION	PART NAME		Q`TY (PCS)
①	Top Panel		1
②	Side Panel		1
③	Side Panel		1
④	Central Panel		1
⑤	Back Panel		1
⑥	Cross Bar		1
⑦	Cross Bar		1
⑧	Bottom Panel		1
⑨	Drawer Front		2
⑩	Drawer side		2
⑪	Drawer side		2
⑫	Drawer Back		2
⑬	Drawer Bottom		2

## HARDWARES REQUIRED

<b>(A)</b>		Angle iron	19*18*1.5mm	8 PCS
<b>(B)</b>		Screw	Ø8x1/2"	16 PCS
<b>(C)</b>		Screw	Ø8x1-1/4"	4 PCS
<b>(D)</b>		Screw	Ø8x1-1/2"	4 PCS
<b>(E)</b>		L-ALLEN KEY	Ø1/4"	1 PC
<b>(F)</b>		Bolt	Ø1/4"x1"	8 PCS
<b>(G)</b>		Spring Washer	Ø1/4"	8 PCS
<b>(H)</b>		Flat Washer	Ø1/4"xØ16mm	8 PCS
<b>(J)</b>		Wood dowel		14 PCS
<b>(K)</b>		Screw	Ø8x1"	16 PCS

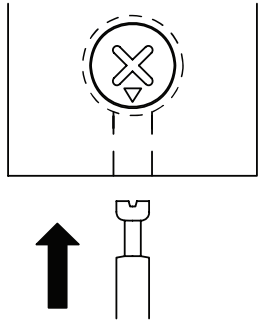


### Attention:

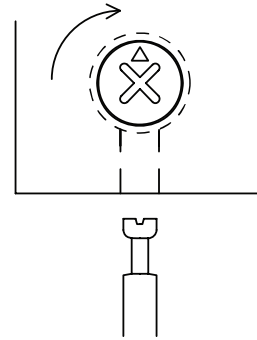
\*\*\* Some number parts listed on the instruction sheet may not be in parts bag as they may be assembled. Carefully check parts and packing materials prior to ordering replacements.

## CAM LOCK SYSTEM

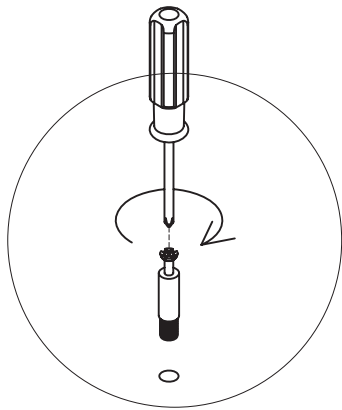
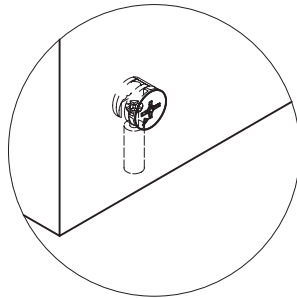
(1)



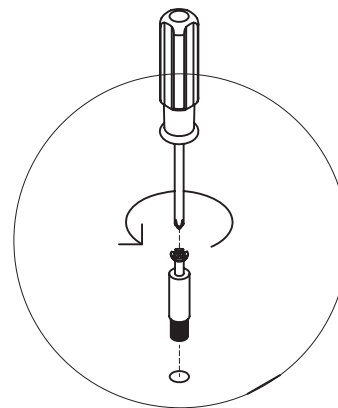
(2)



## IMPORTANT NOTE--CAM LOCK ADJUSTMENT



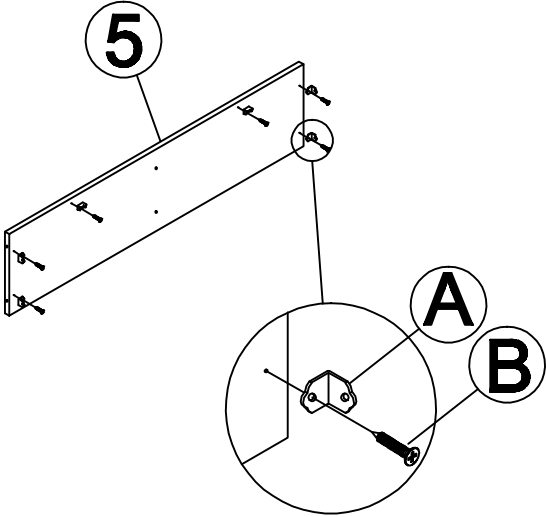
If Cam Lock  
is too loose,  
Please adjust Metal  
Dowel to turn right  
as drawing.



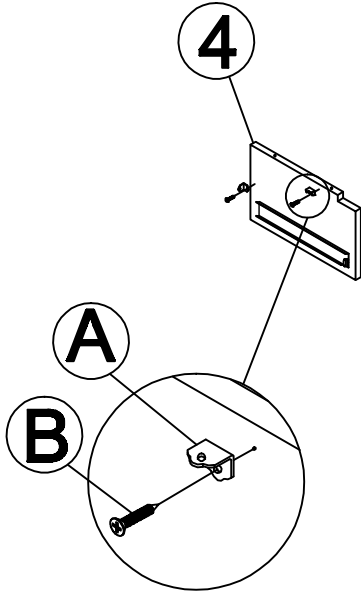
If Cam Lock  
is too tight,  
Please adjust Metal  
Dowel to turn left  
as drawing.

# How to assemble:

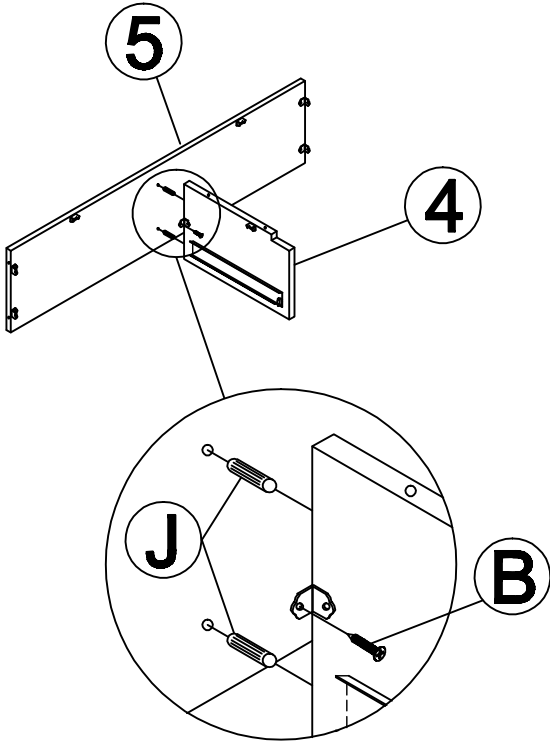
## STEP 1



## STEP 2

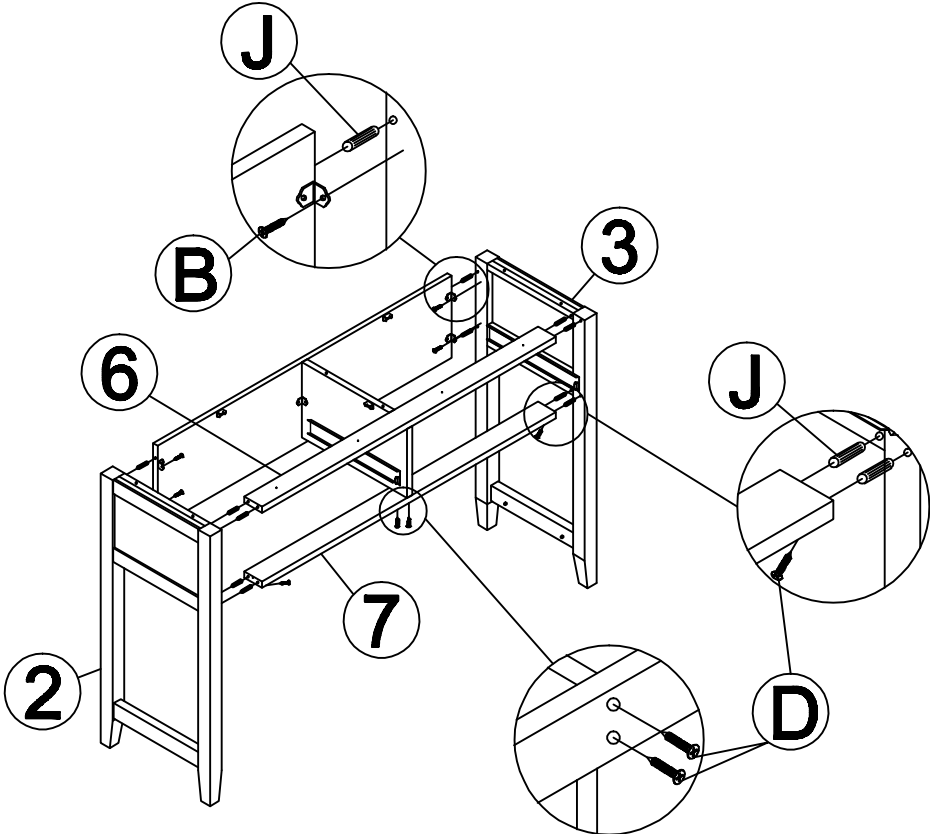


## STEP 3

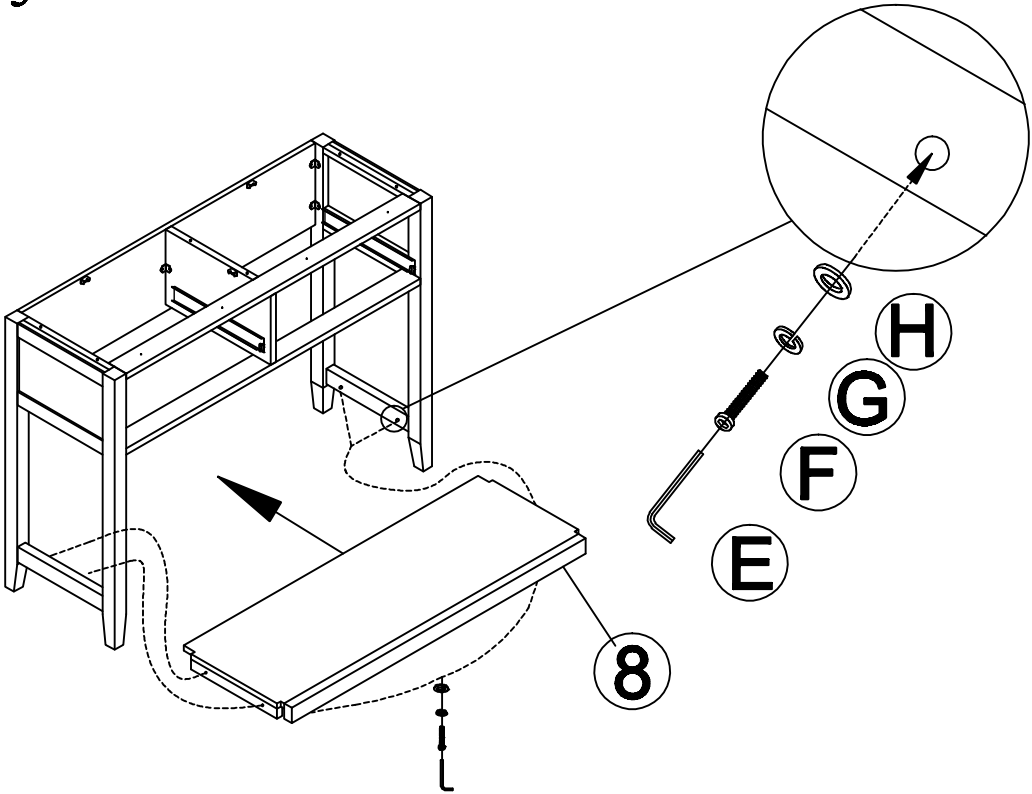


# How to assemble:

## STEP 4

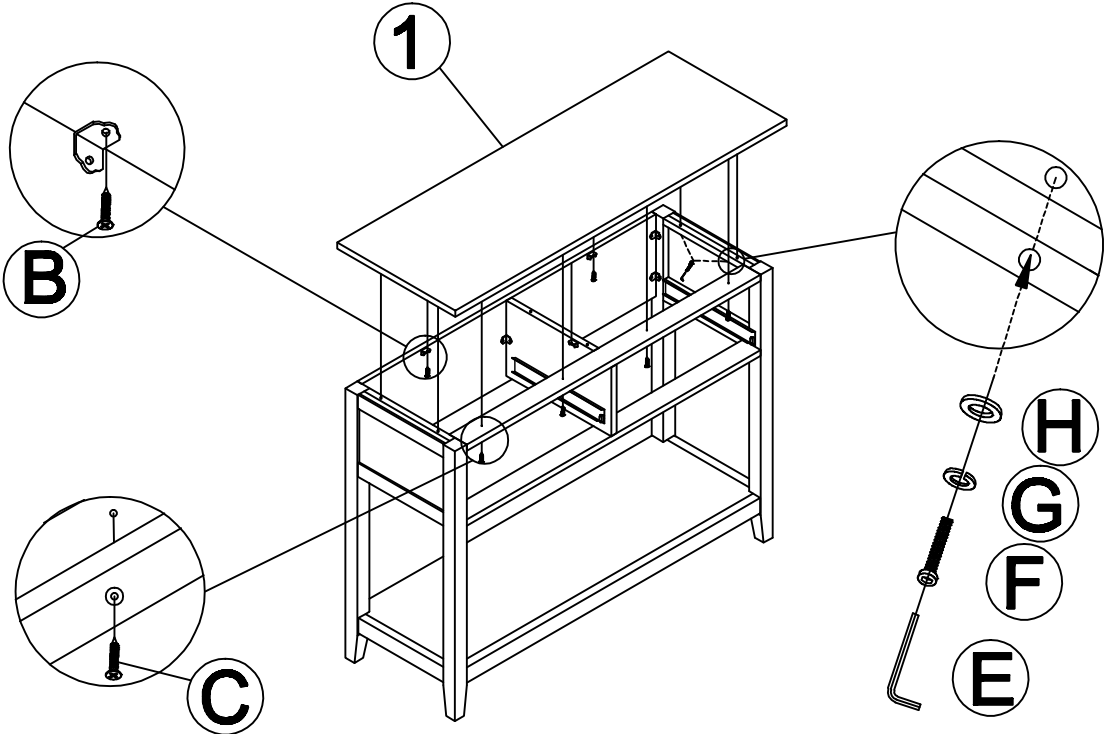


## STEP 5

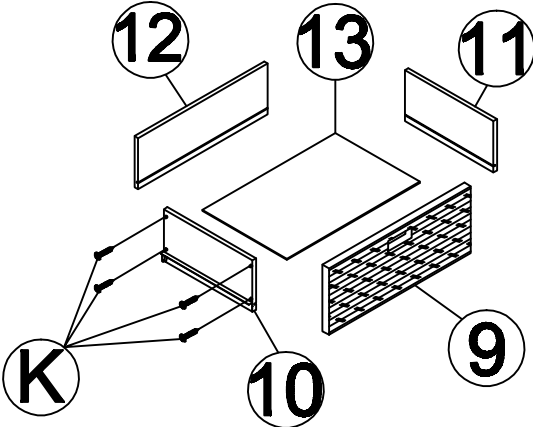


# How to assemble:

## STEP 6



## STEP 7



## STEP 8

