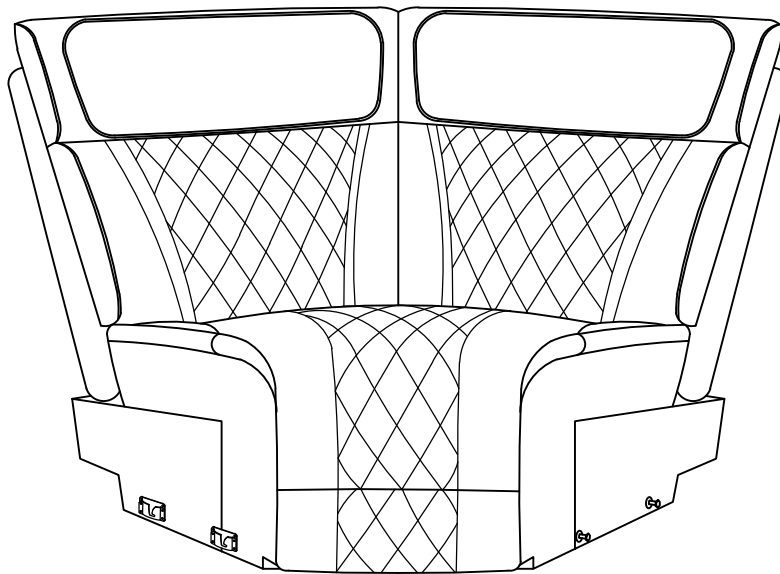


# Assembly Instruction

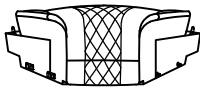


## CORNER SEAT



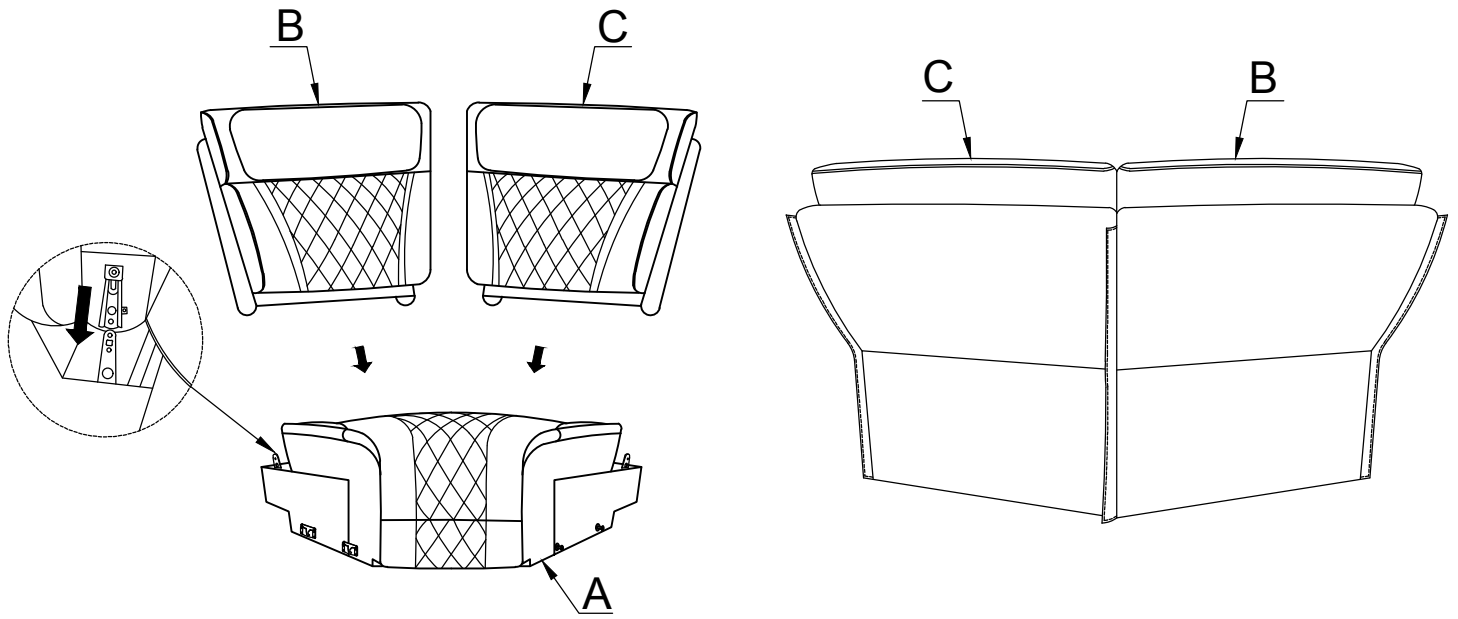
Note: Do not use power tools for assembly. Power tools increase the risk of over tightening which lead to splitting or cracking the wood.



### Component list

No	Drawing	Qty	Description
<b>A</b>		<b>1</b>	<b>CORNER SEAT</b>
<b>B</b>		<b>1</b>	<b>LSF BACK REST</b>
<b>C</b>		<b>1</b>	<b>RSF BACK REST</b>

# Step #1

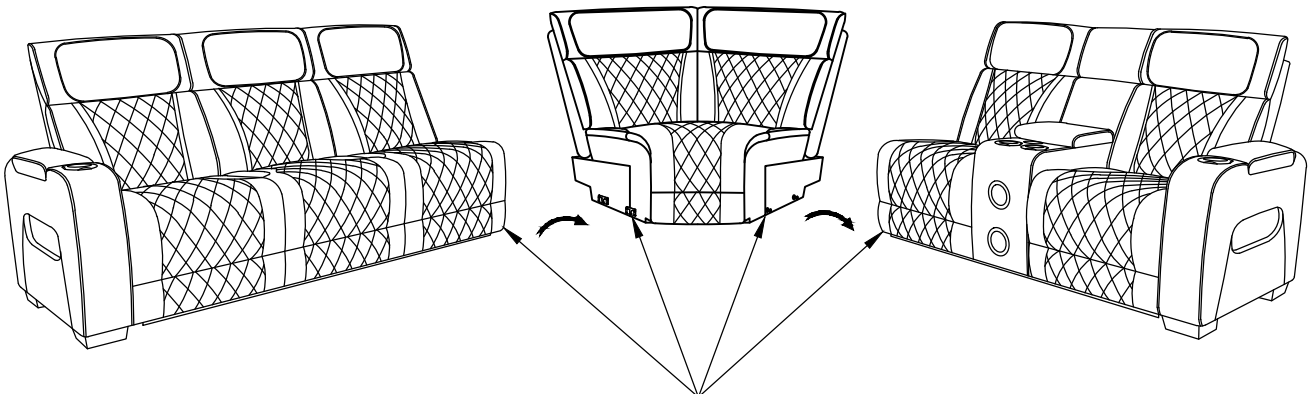


# Step #2A

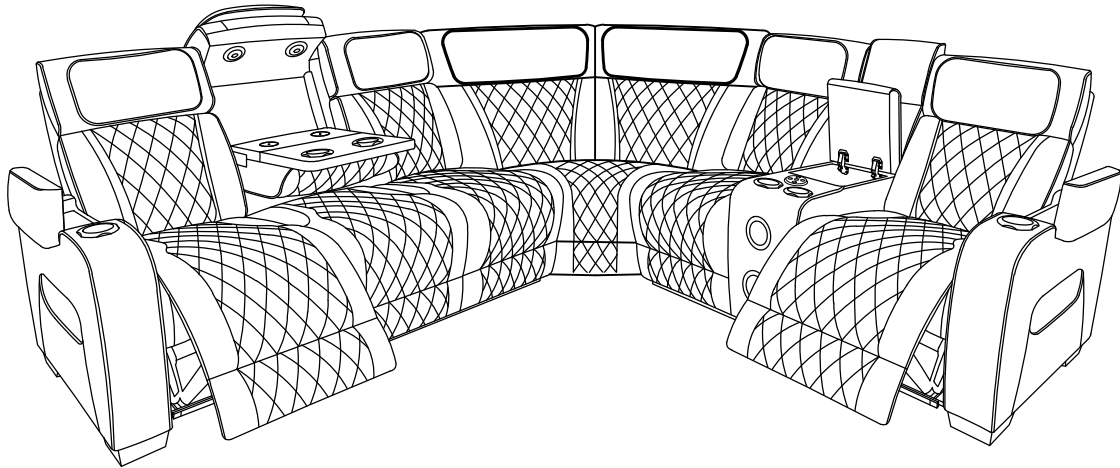
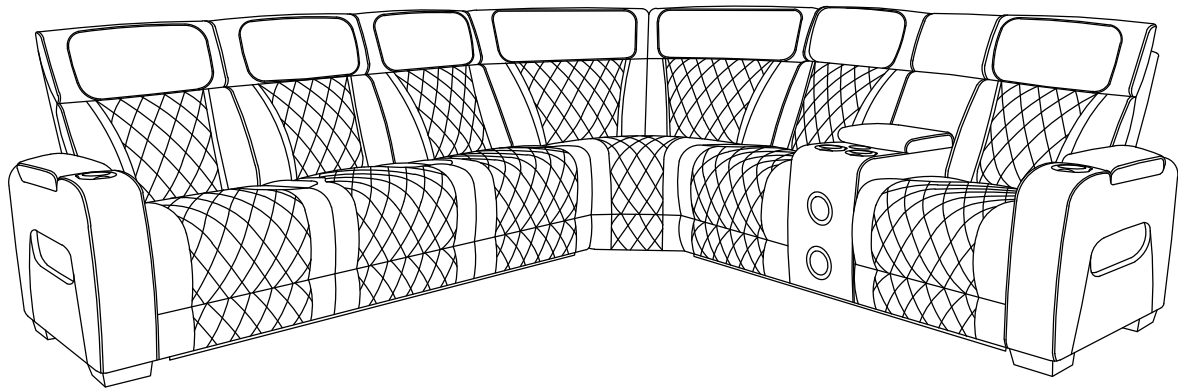
LEFT SIDE RECLINING SOFA

CORNER SEAT

RIGHT SIDE RECLINING LOVESEAT

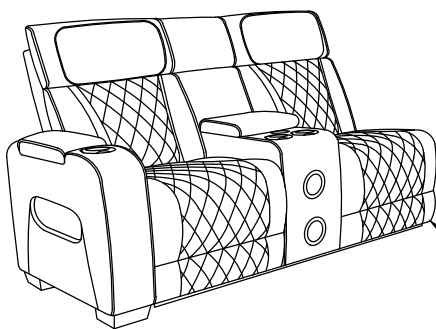


## Step #2A

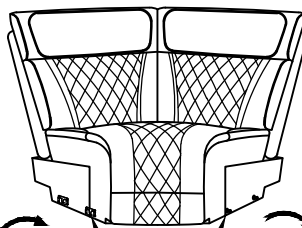


## Step #2B

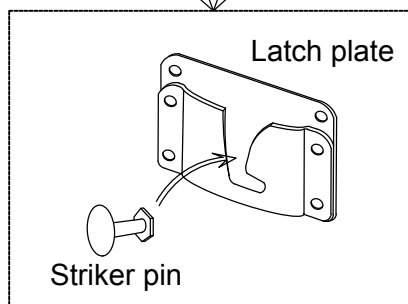
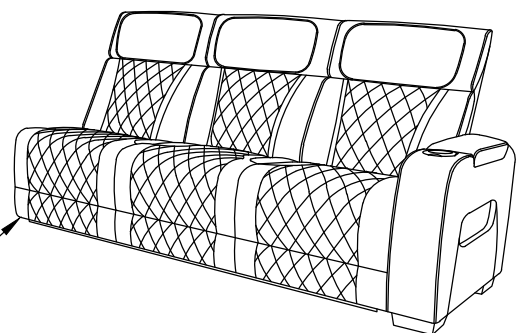
LEFT SIDE RECLINING LOVESEAT

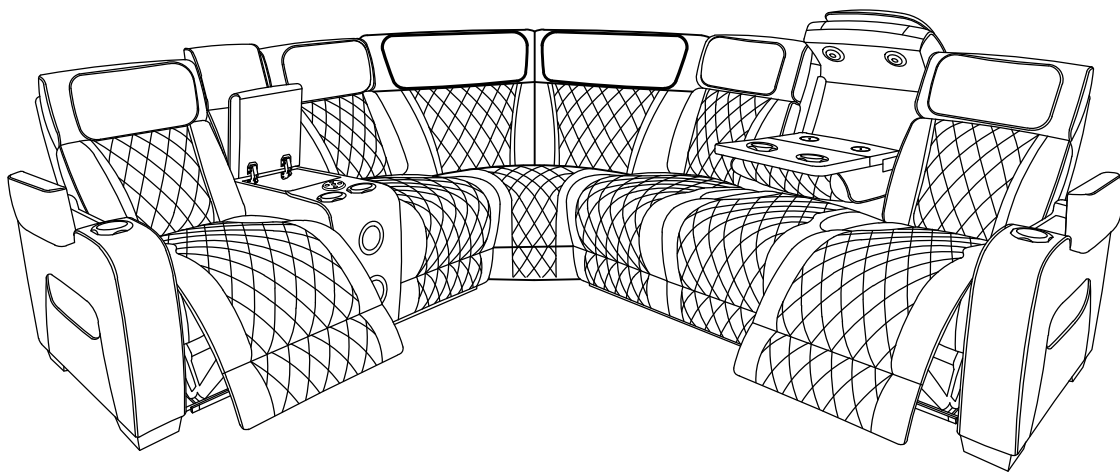
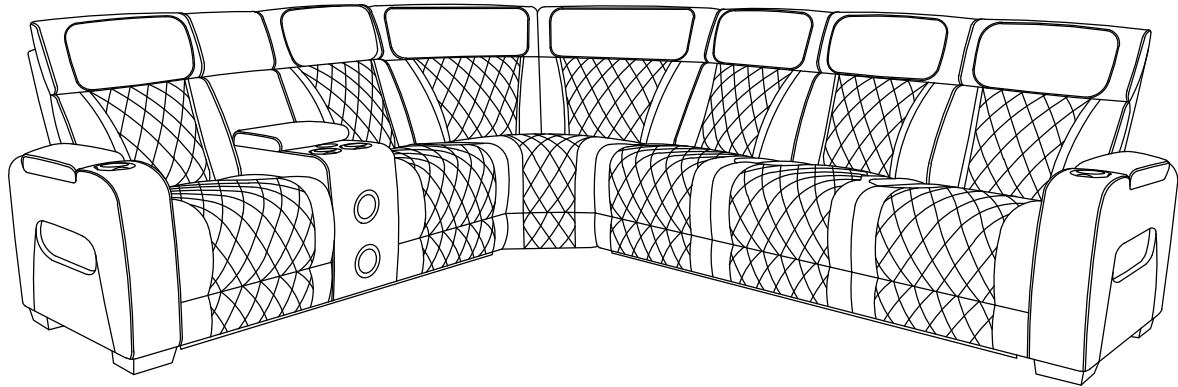


CORNER SEAT



RIGHT SIDE RECLINING SOFA





### Care Instruction for PU Furniture:

In order to maintain the original appearance of your PU, please follow below simple care procedures:

- Avoid exposing furniture directly to sunlight or heating and air conditioning outlets. Sunlight and/or exposure to heating and air conditioning outlets will fade/damage PU.
- Vacuum or wipe with a soft cloth to remove dust.
- Hardware may loosen over time. Periodically check to make sure all connection are tight, Re-tighten if necessary.



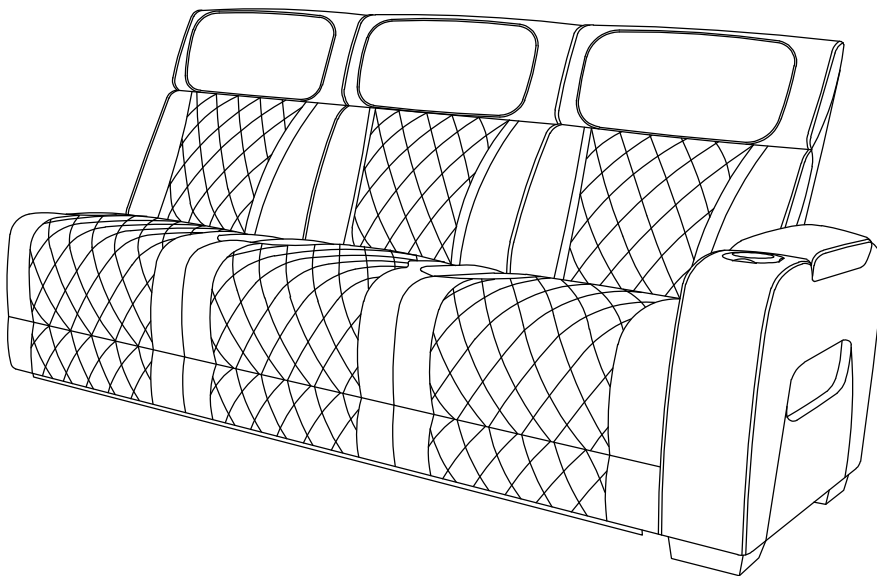
For items use on wooden floor, hard surfaces or carpets, it is recommended to Install protective pads under all legs and supports to avoid/prevent from damages/scratches and discoloration.

# Assembly Instruction

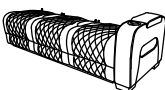




Power Right Side Reclining Sofa With Center Drop-down Cup Holders, Power Headrests, Storage Arms(top And side), Cup Holders, Reading Lights, Two Wireless Chargers,charging Ports And Led Lighting



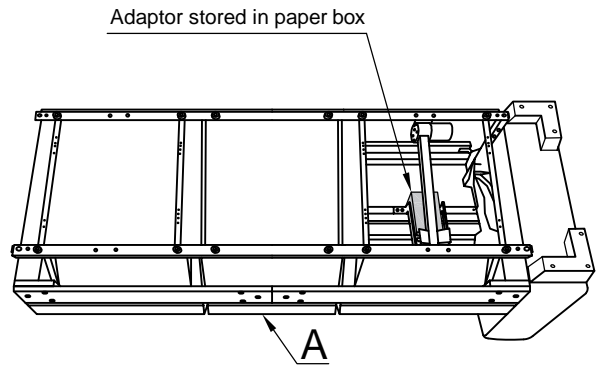
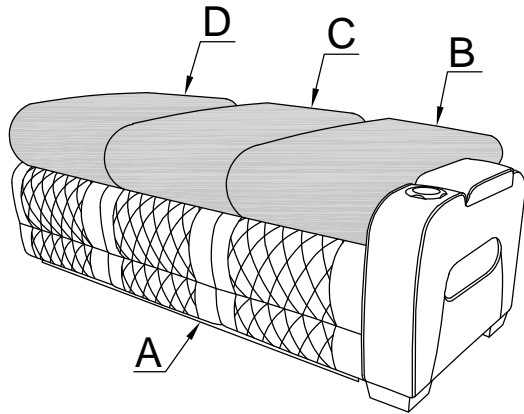
Note: Do not use power tools for assembly. Power tools increase the risk of over tightening which lead to splitting or cracking the wood.



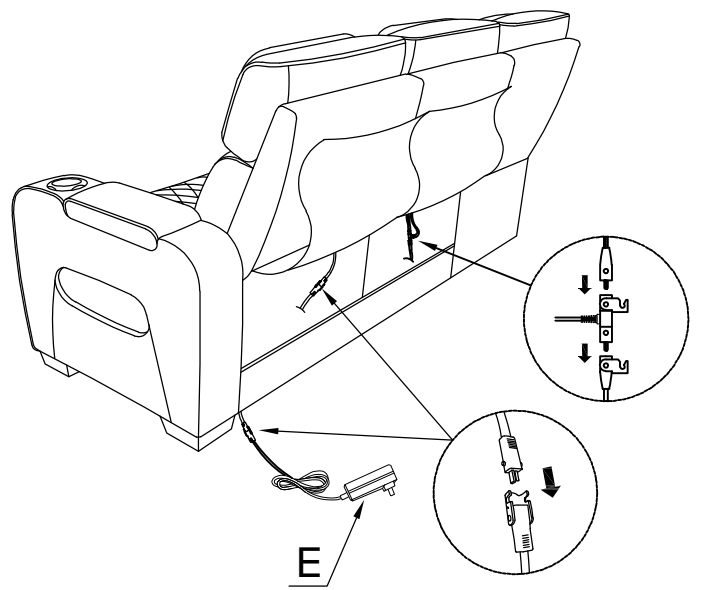
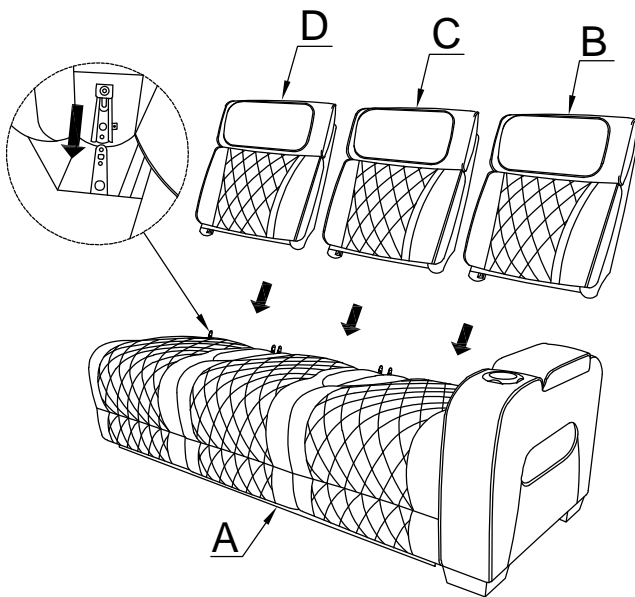
## Component list

No	Drawing	Qty	Description
<b>A</b>		<b>1</b>	<b>RSF SEAT</b>
<b>B</b>		<b>1</b>	<b>LSF BACK REST</b>
<b>C</b>		<b>1</b>	<b>MIDDLE BACK REST WITH CENTER DROP DOWN</b>
<b>D</b>		<b>1</b>	<b>RSF BACK REST</b>
<b>E</b>		<b>1</b>	<b>ADAPTOR</b>

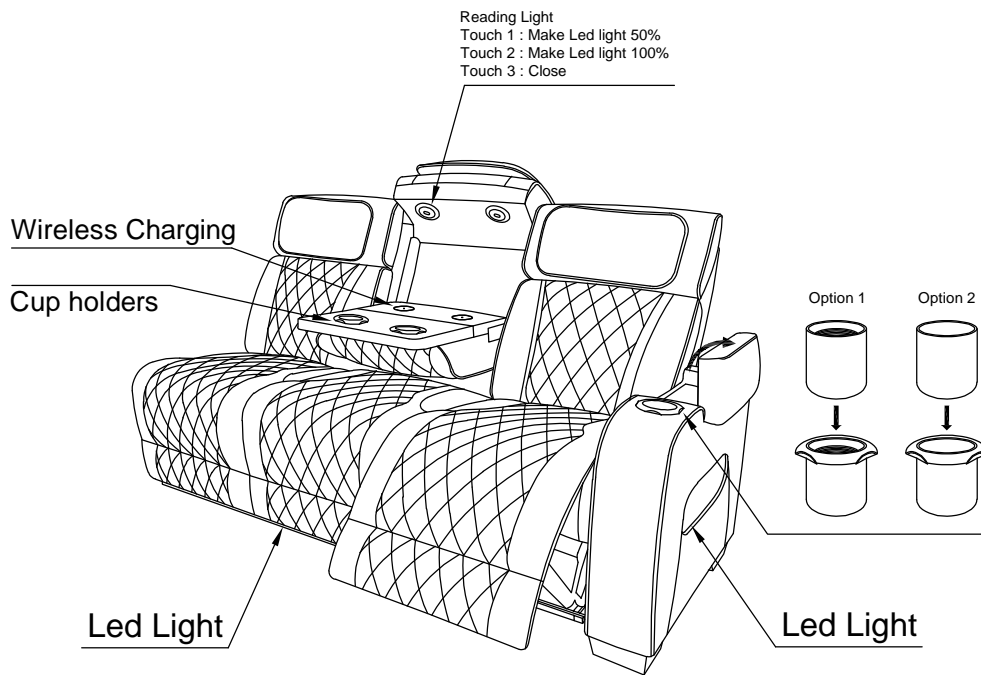
# Step #1



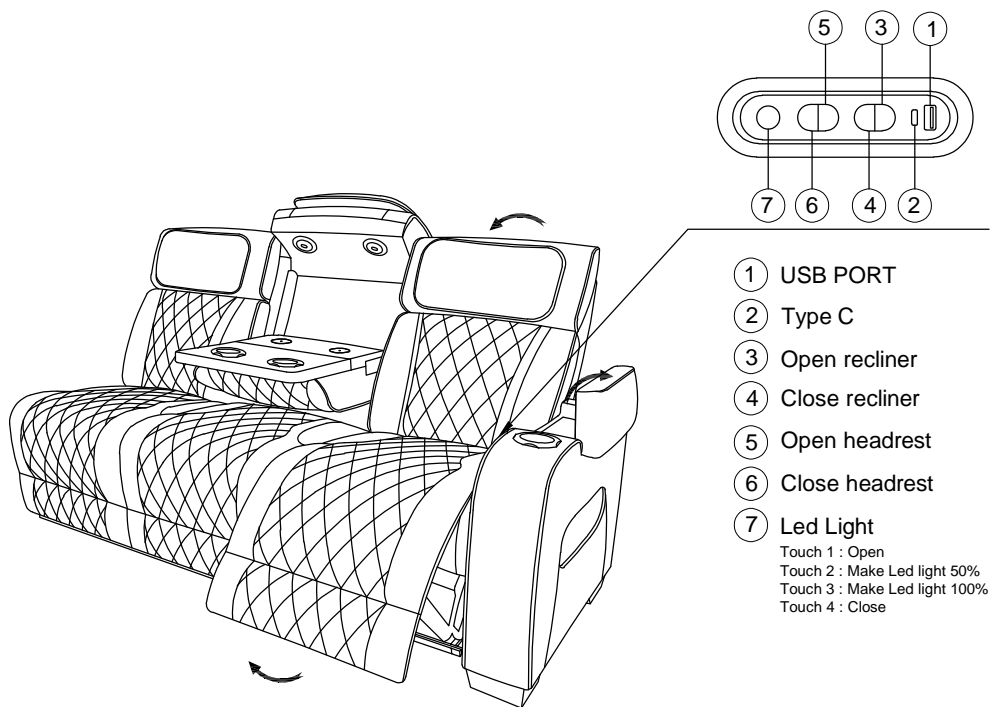
# Step #2



### Step #3



### Step #4

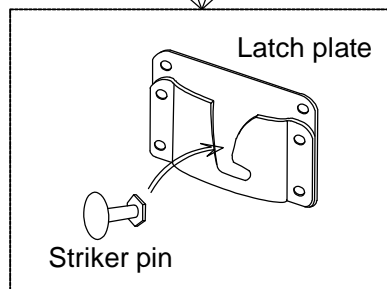
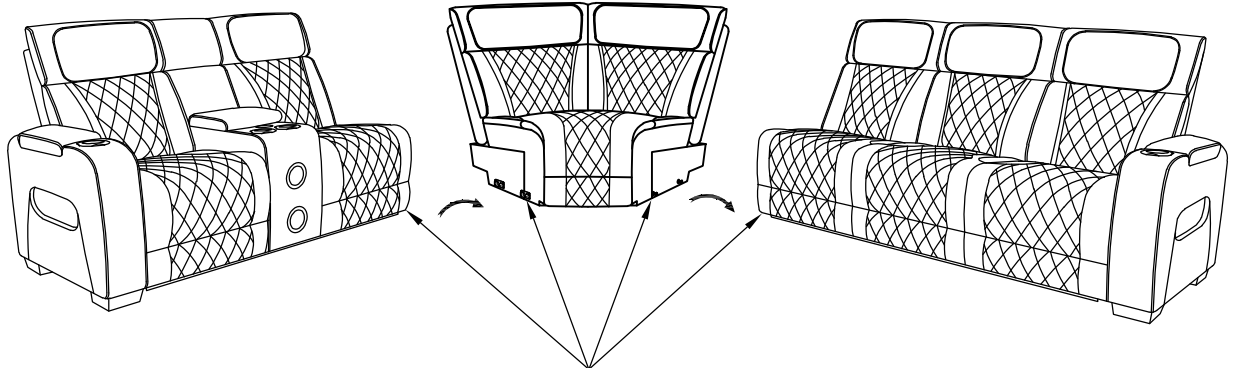


## Step #5

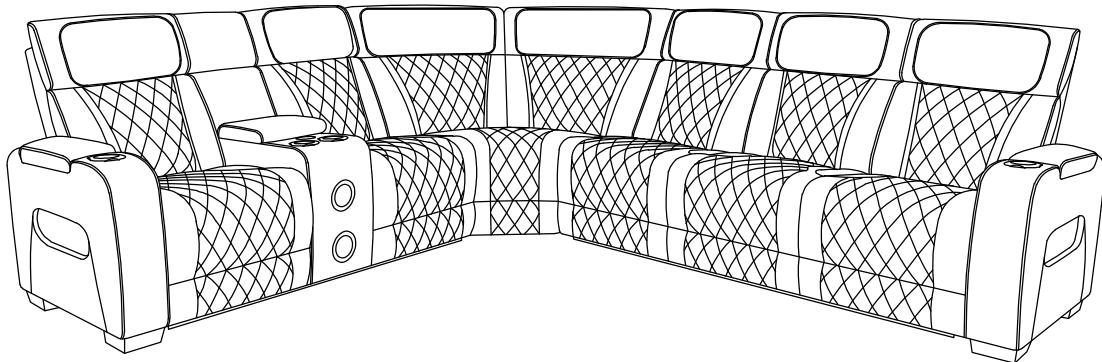
LEFT SIDE RECLINING LOVESEAT

CORNER SEAT

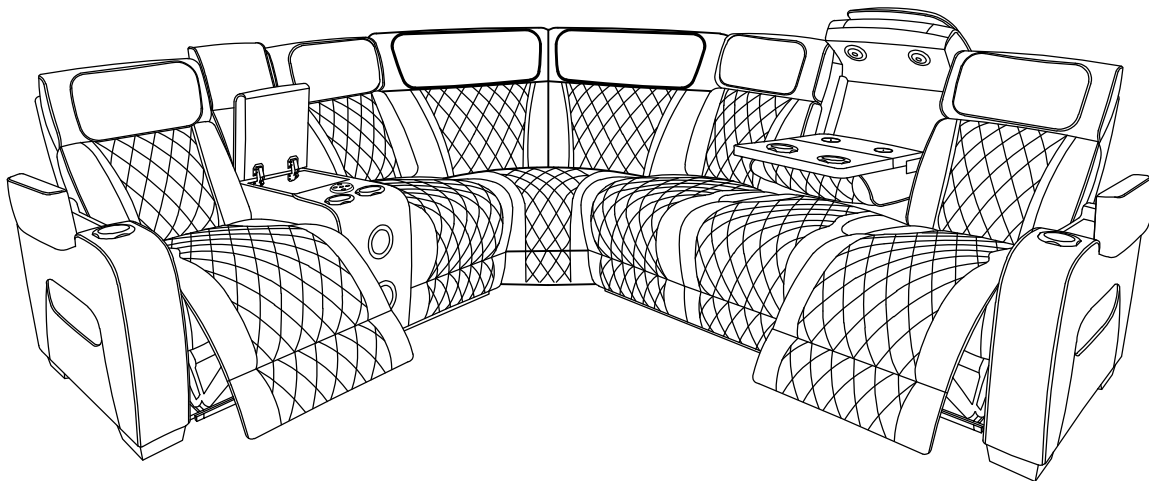
RIGHT SIDE RECLINING SOFA



## Step #6



## Step #7



### Care Instruction for PU Furniture:

In order to maintain the original appearance of your PU, please follow below simple care procedures:

- Avoid exposing furniture directly to sunlight or heating and air conditioning outlets. Sunlight and/or exposure to heating and air conditioning outlets will fade/damage PU.
- Vacuum or wipe with a soft cloth to remove dust.
- Hardware may loosen over time. Periodically check to make sure all connection are tight, Re-tighten if necessary.



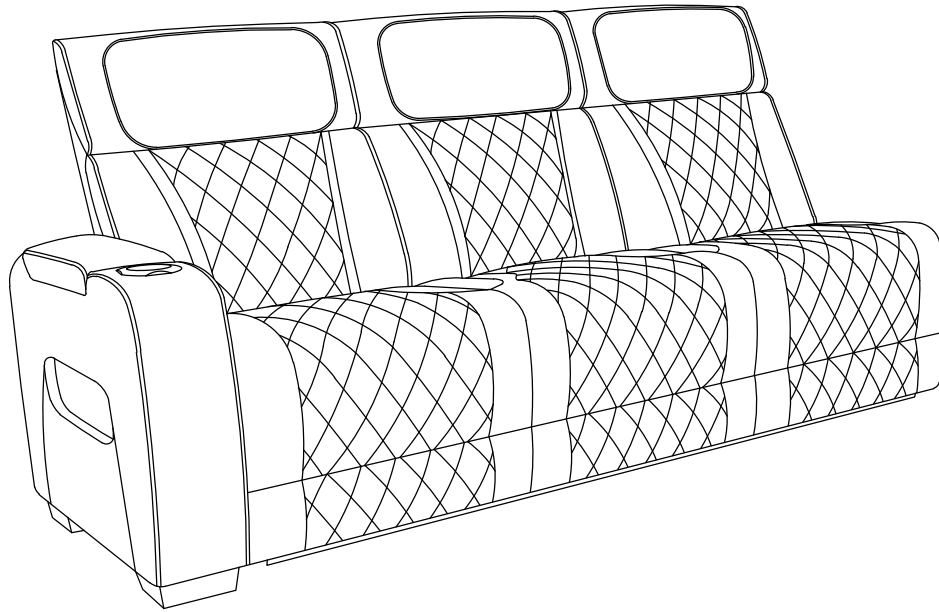
For items use on wooden floor, hard surfaces or carpets, it is recommended to Install protective pads under all legs and supports to avoid/prevent from damages/scratches and discoloration.

# Assembly Instruction

Power left side reclining sofa with center drop-down cup holders, power headrests, storage arms(top and side), cup holders, reading lights, two wireless chargers,charging ports and led lighting



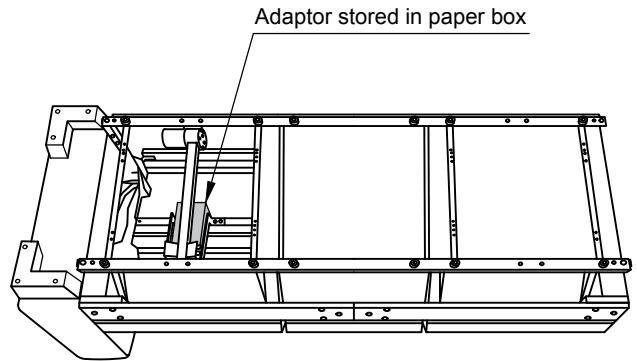
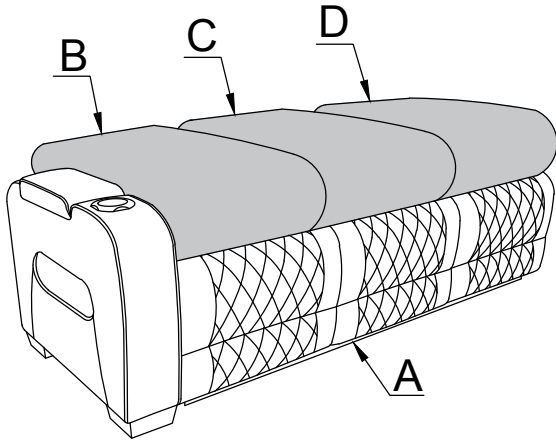
Note: Do not use power tools for assembly. Power tools increase the risk of over tightening which lead to splitting or cracking the wood.



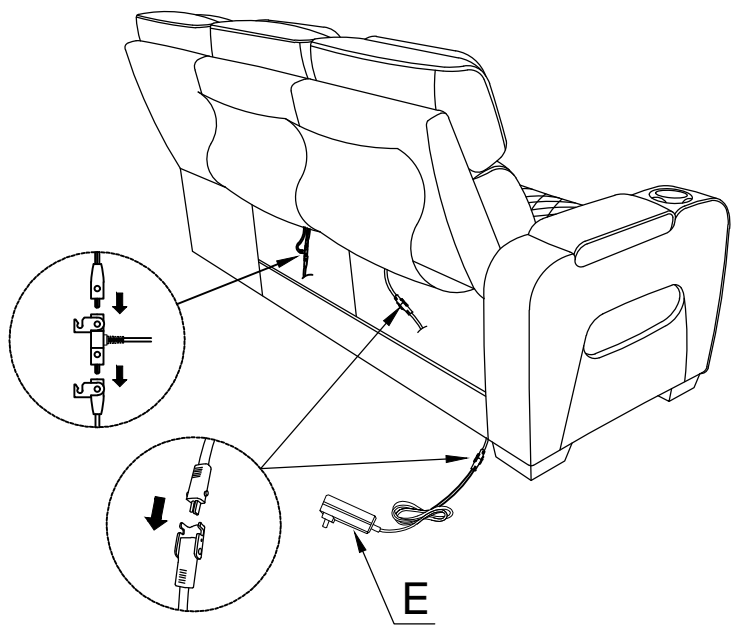
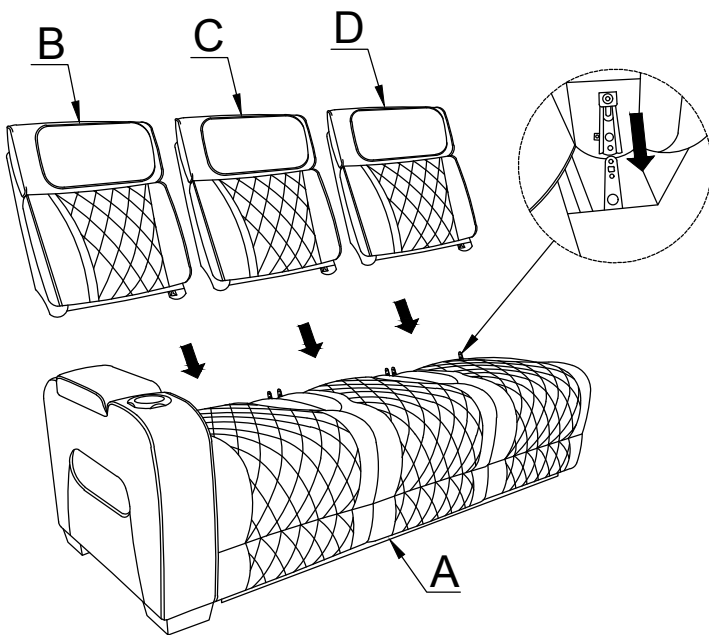
## Component list

No	Drawing	Qty	Description
<b>A</b>		<b>1</b>	<b>LSF SEAT</b>
<b>B</b>		<b>1</b>	<b>LSF BACK REST</b>
<b>C</b>		<b>1</b>	<b>MIDDLE BACK REST WITH CENTER DROP DOWN</b>
<b>D</b>		<b>1</b>	<b>RSF BACK REST</b>
<b>E</b>		<b>1</b>	<b>ADAPTOR</b>

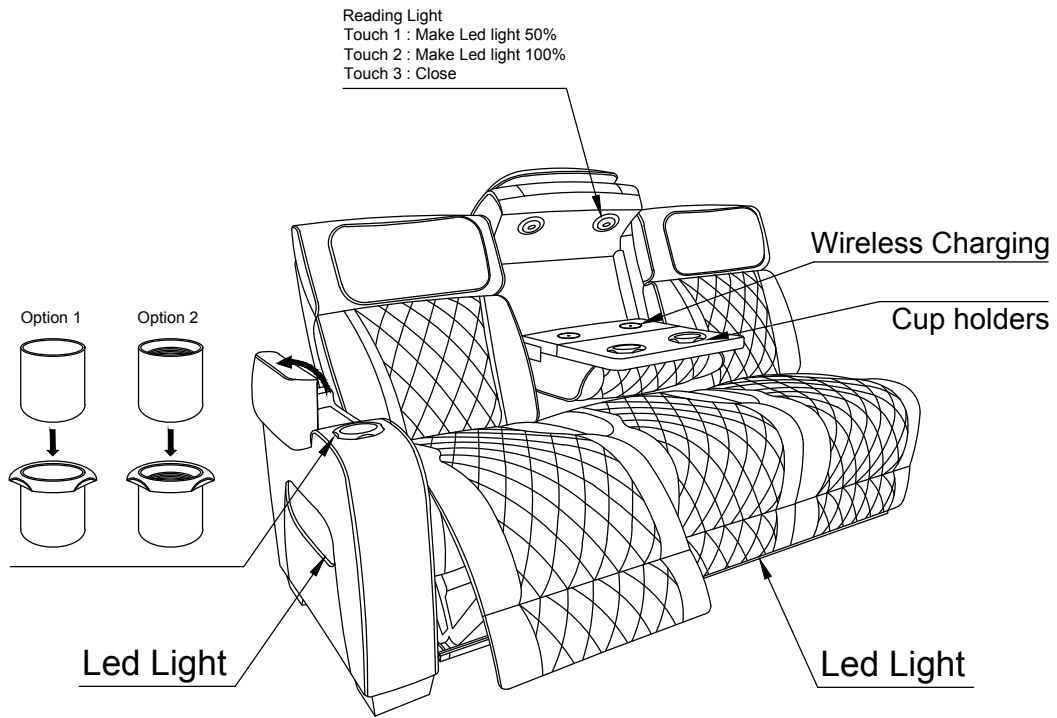
# Step #1



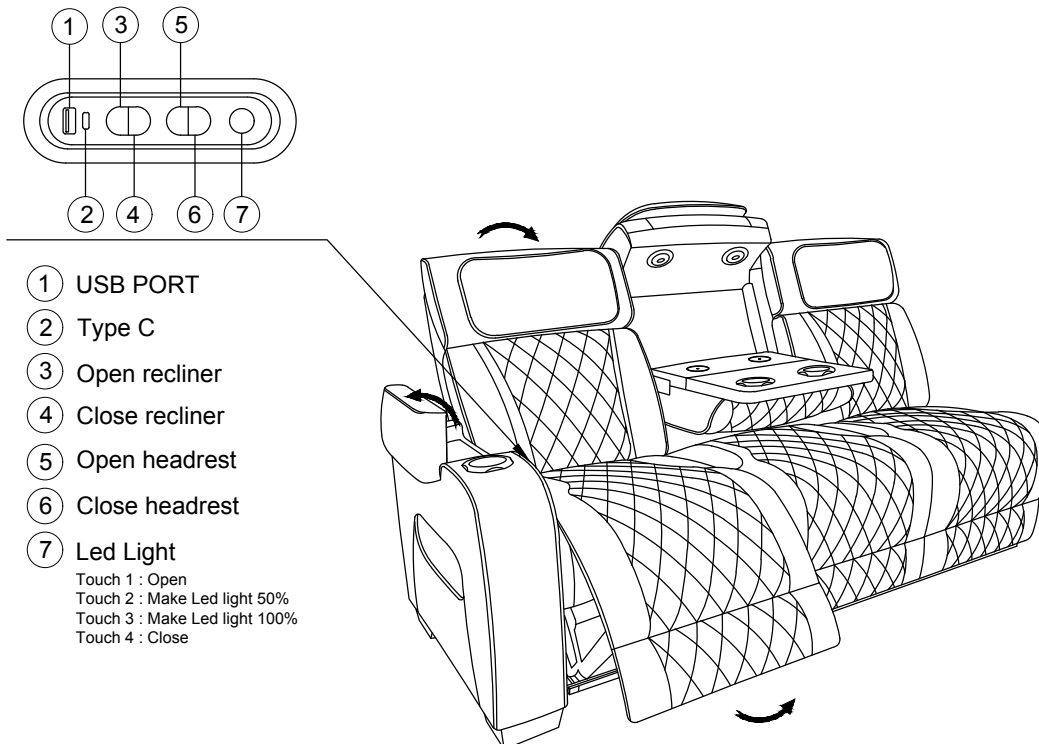
# Step #2



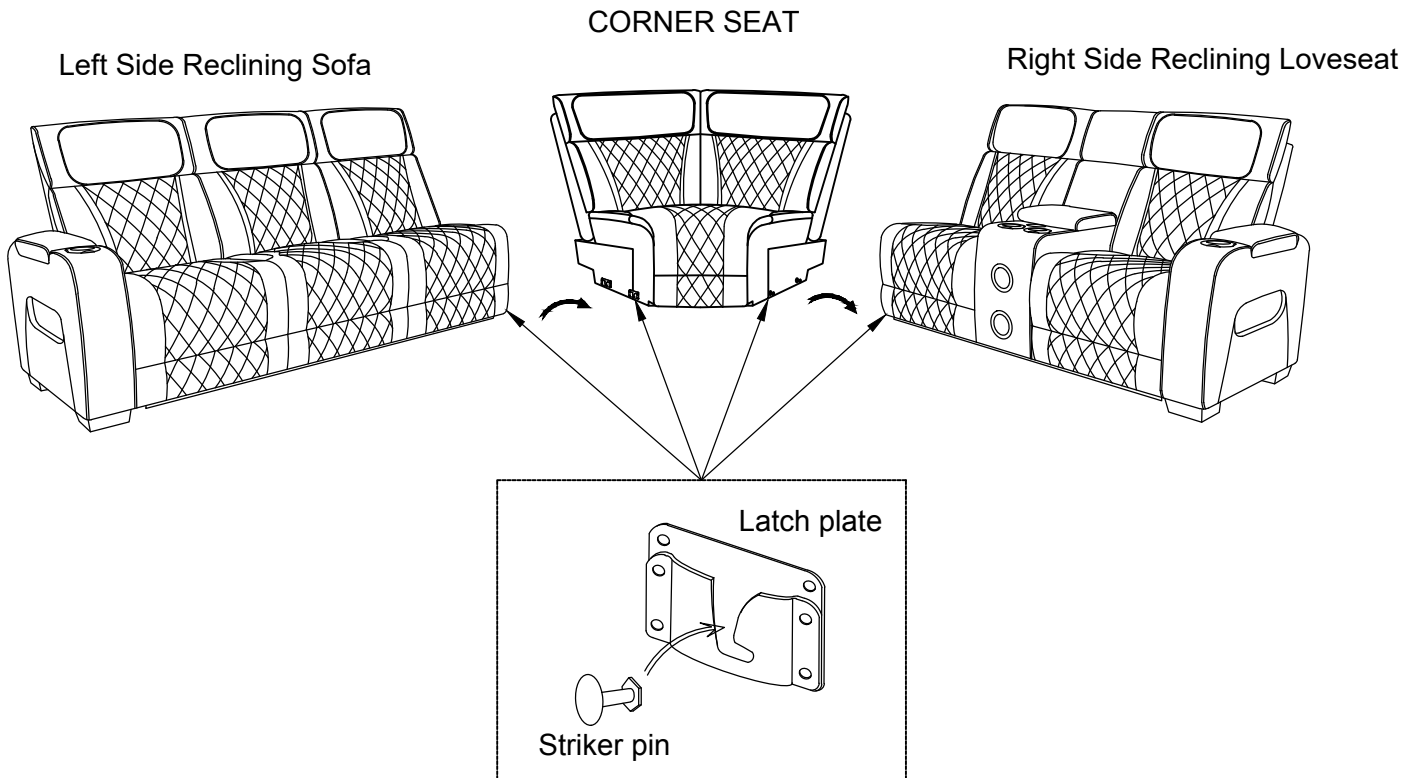
## Step #3



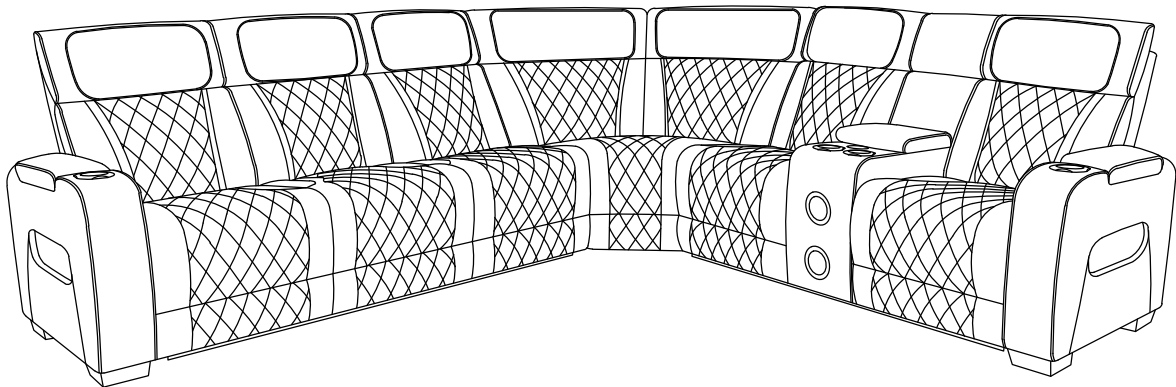
## Step #4

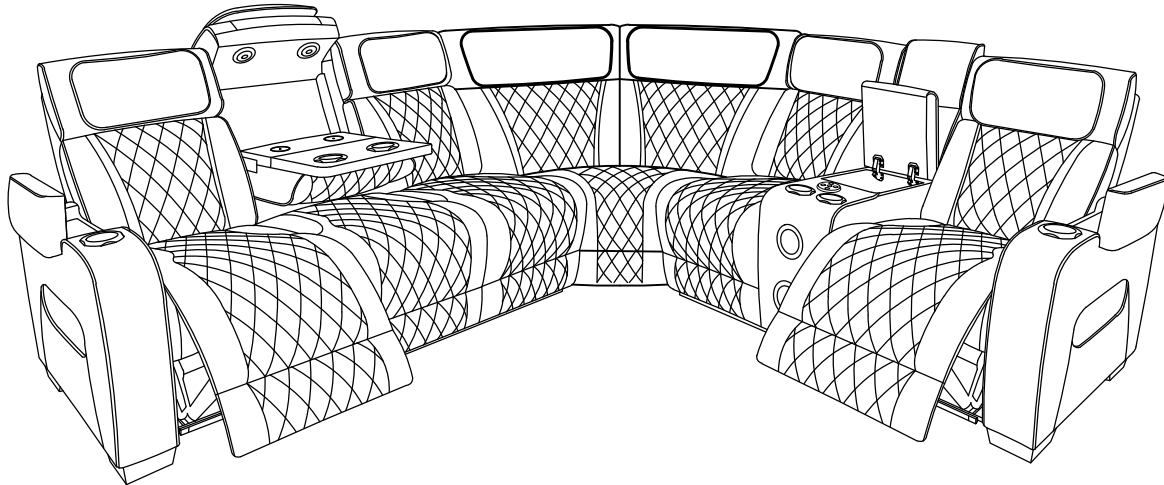


## Step #5



## Step #6





### Care Instruction for PU Furniture:

In order to maintain the original appearance of your PU, please follow below simple care procedures:

- Avoid exposing furniture directly to sunlight or heating and air conditioning outlets. Sunlight and/or exposure to heating and air conditioning outlets will fade/damage PU.
- Vacuum or wipe with a soft cloth to remove dust.
- Hardware may loosen over time. Periodically check to make sure all connection are tight, Re-tighten if necessary.



For items use on wooden floor, hard surfaces or carpets, it is recommended to Install protective pads under all legs and supports to avoid/prevent from damages/scratches and discoloration.