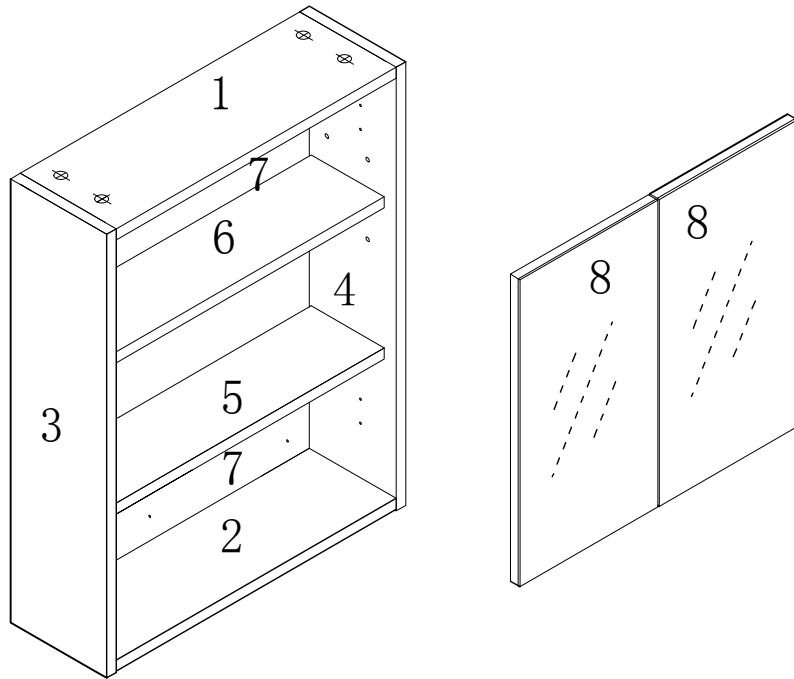


2 People Required





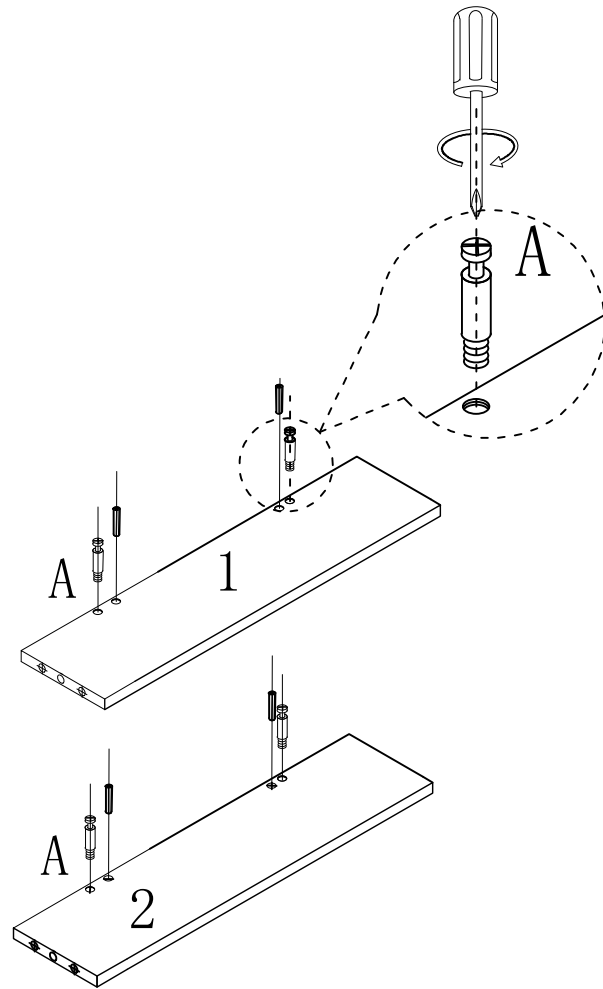
Furniture board listing			
1=1		5=1	
2=1		6=1	
3=1		7=2	
4=1		8=2	

Hardware List / Fitting


A=20 	B=18 Dowel- ø 8*30mm	C=2 ø 6*30mm	D=4
E=4 ø 6*50mm	F=4 	G=24 ø 4*14mm	

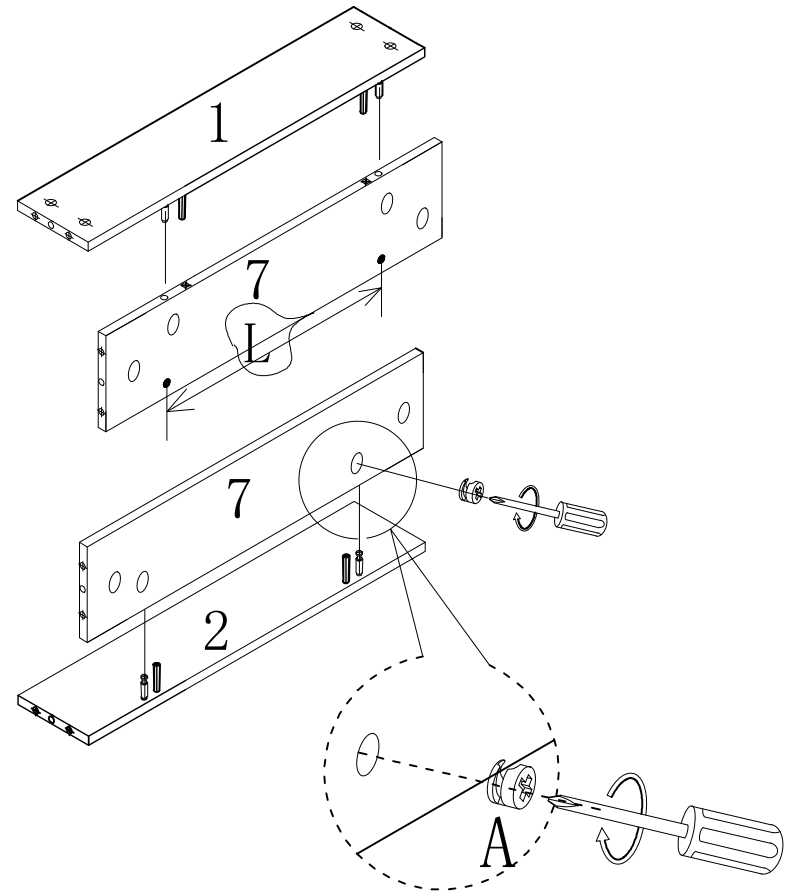
Step: 1

A=4	
C=4	





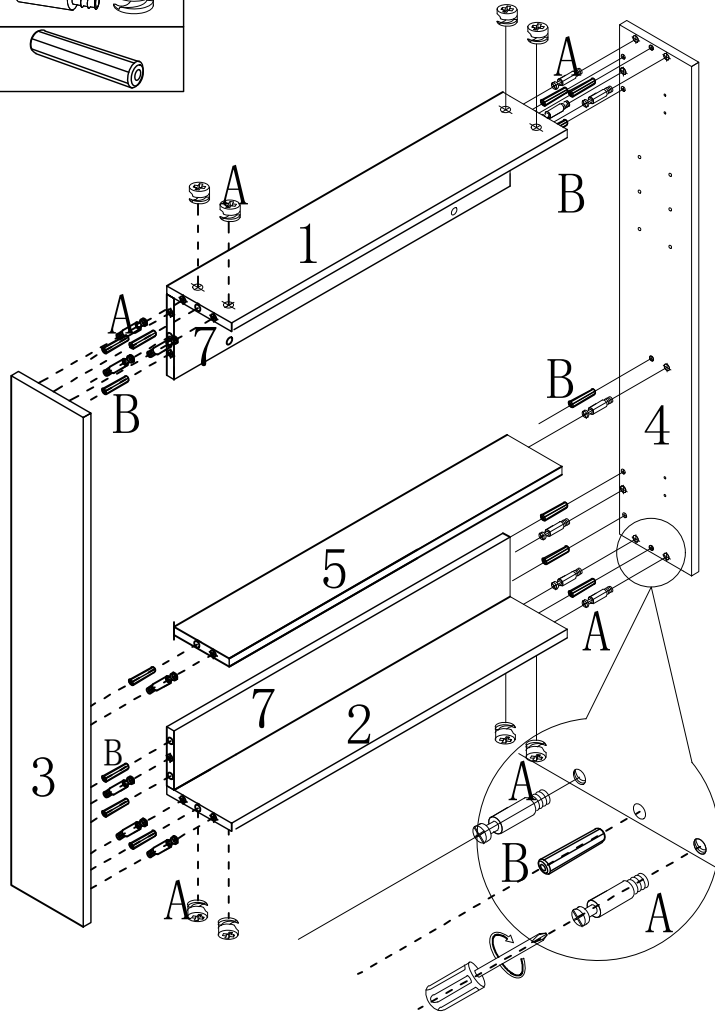
Step: 2

A=4	
-----	---



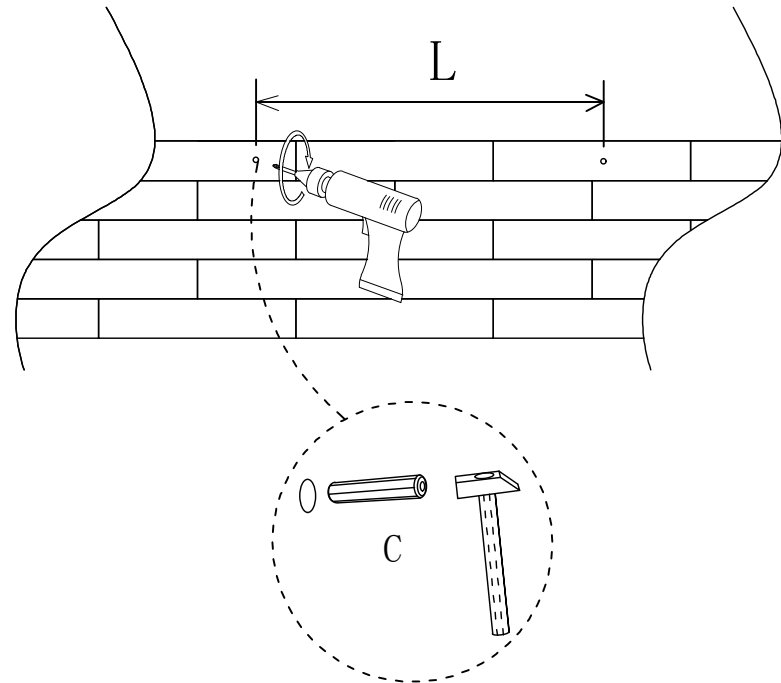
Step: 3

- A=16 
- B=14 





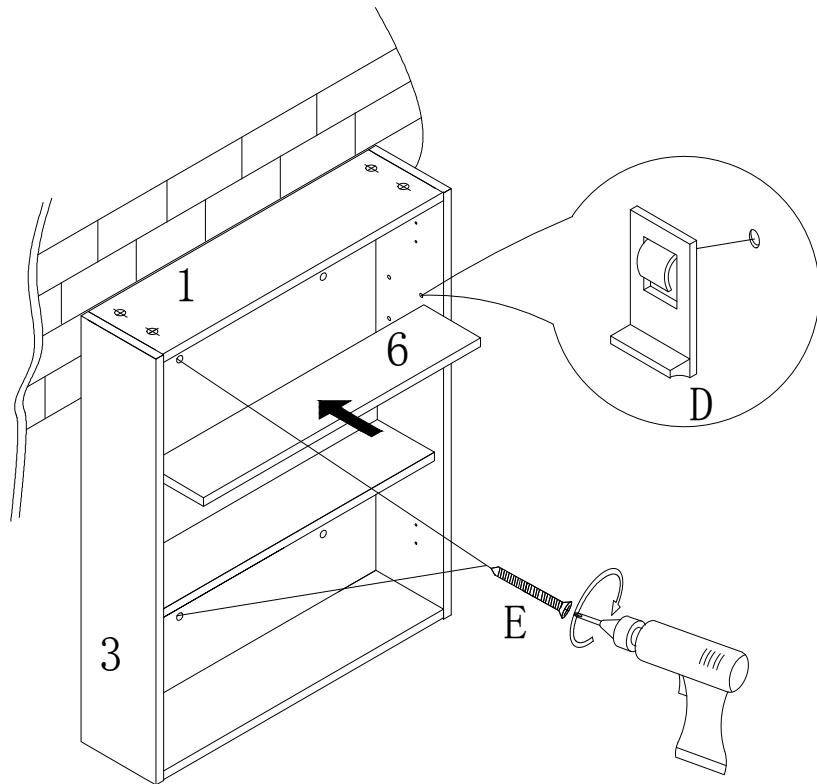
Step: 4

- C=2 

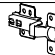



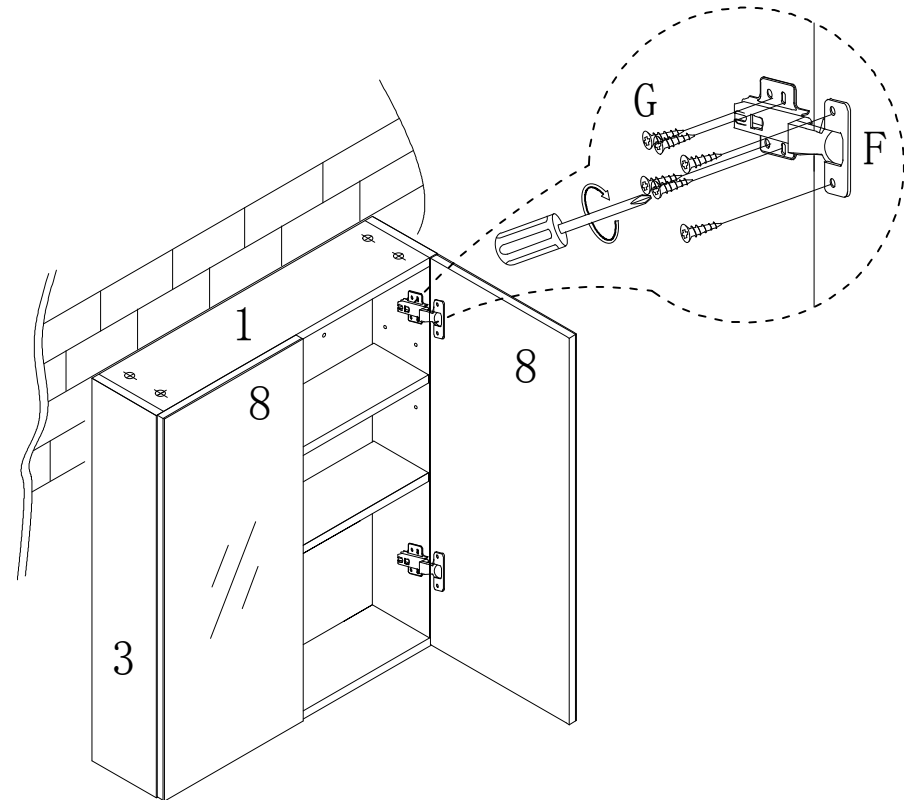
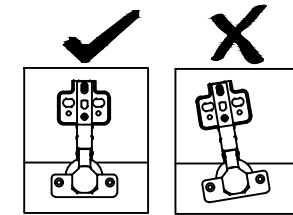
Step: 5

D=4	
E=4	

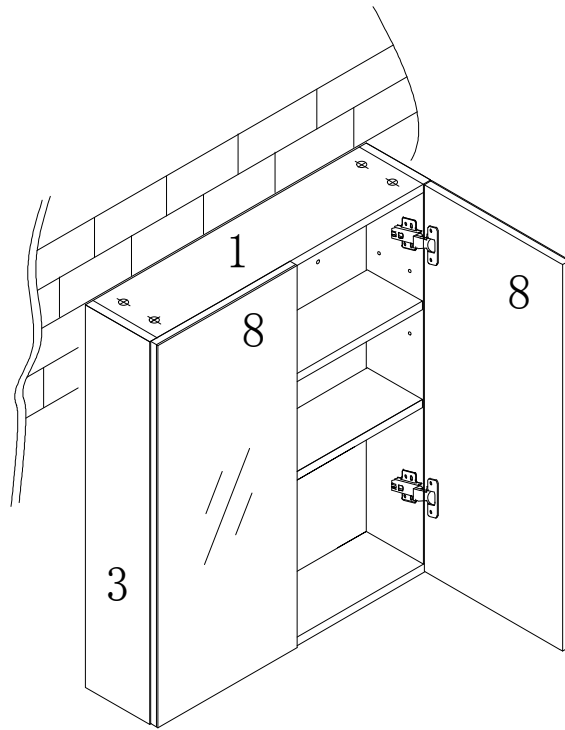


Step: 6

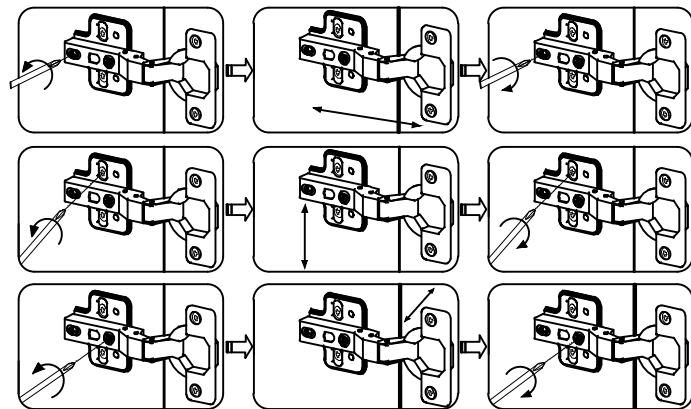
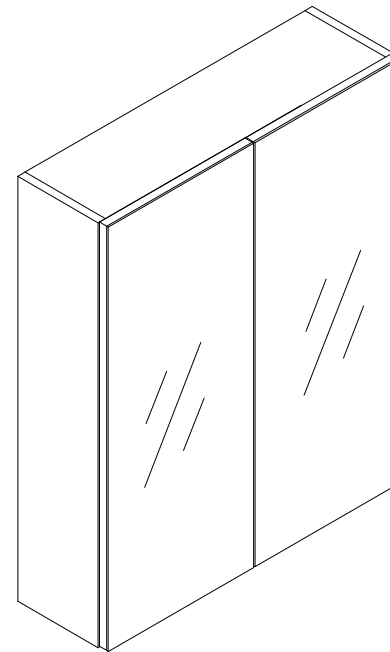
F=4	
G=24	



Step: 7



Step: 8



The job is complete!