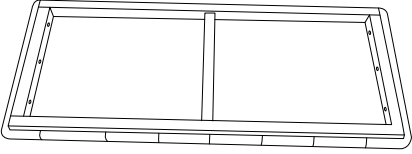
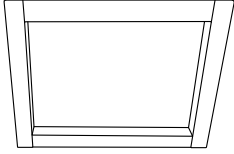



# ASSEMBLY INSTRUCTION

<p>A x 1</p> 	<p>B x 2</p> 
<p>C x 6</p>  <p>M8x55mm</p>	<p>D x 1</p> 