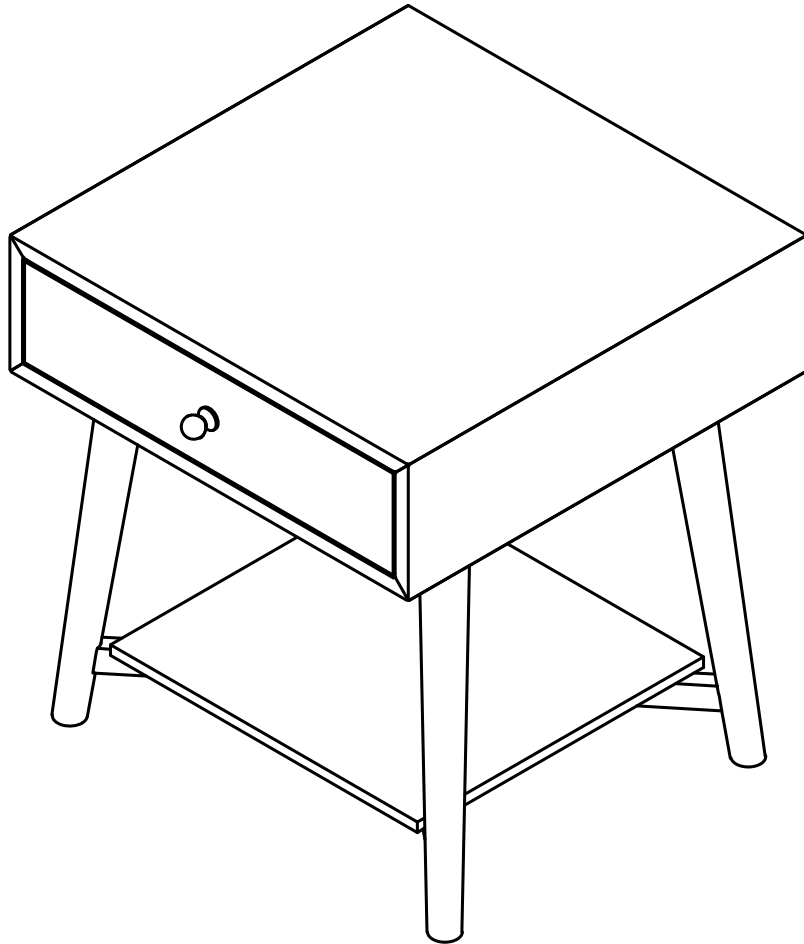
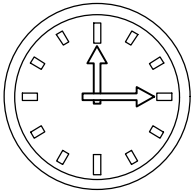


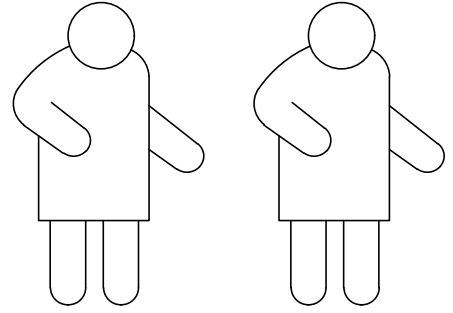
Assembly Instructions

END TABLE

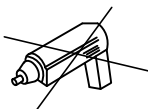
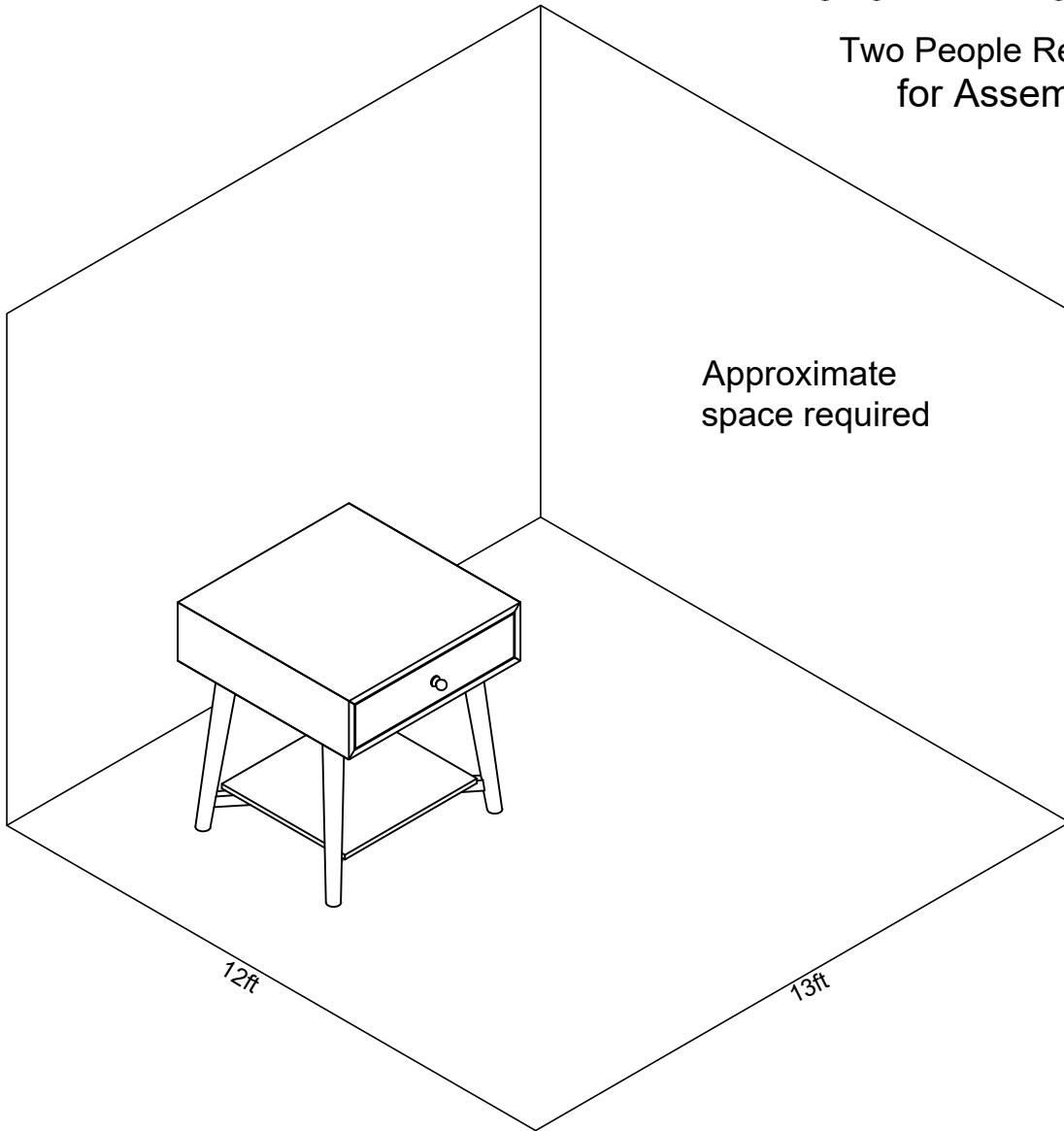




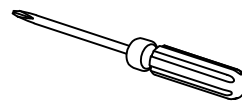
15 min



Two People Required
for Assembly



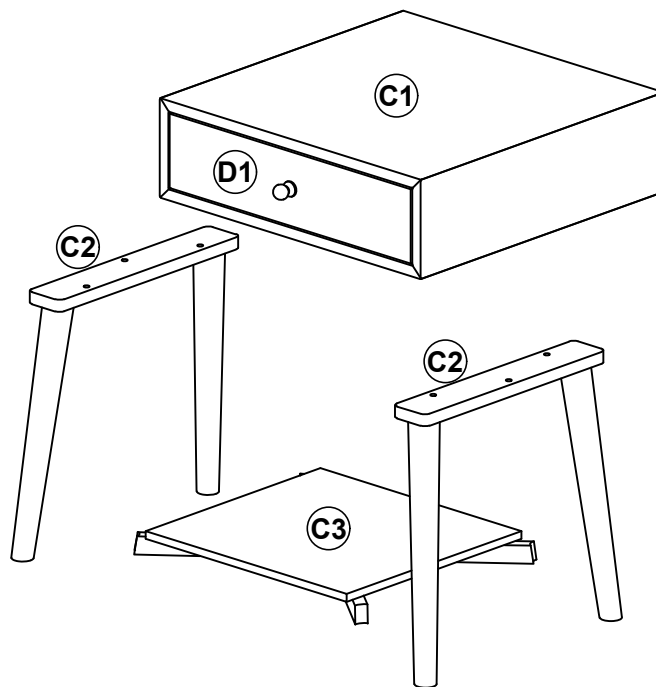
Do Not Use Power Tools



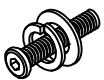
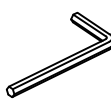
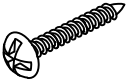
Phillips Head (Not Provided)

PARTS INCLUDED

- (C1) Top
- (C2) Side Legs x2
- (C3) Bottom Shelf
- (D1) Drawer



Hardware Pack

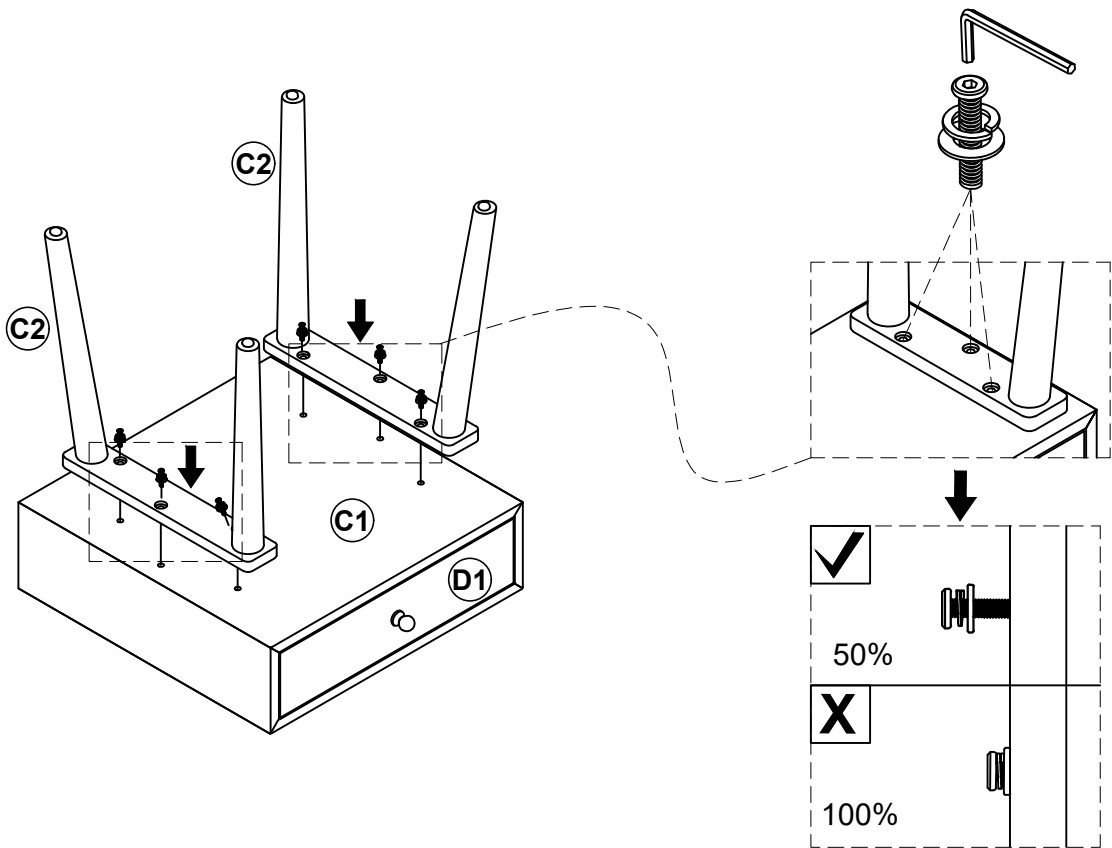
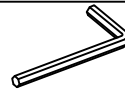
A Ø6x35 (mm) : 6pcs 	B 1pc 	C Ø4x35 (mm) : 4pcs 
---	---	---

1

A x 6

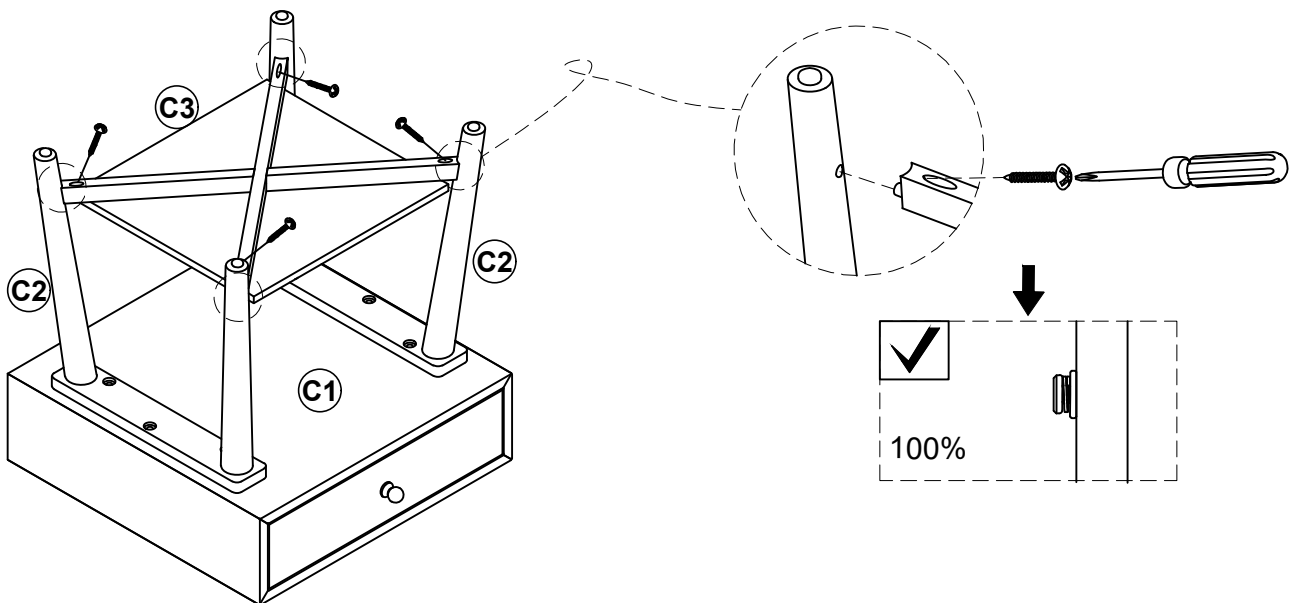
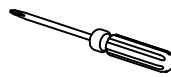
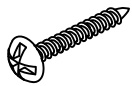


B x 1



2

C x 4



3

