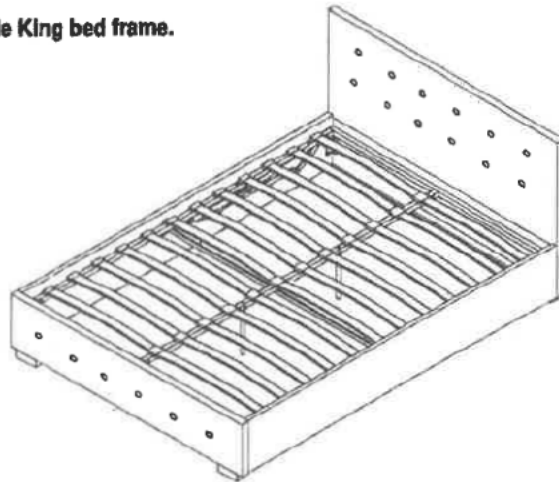


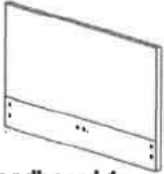

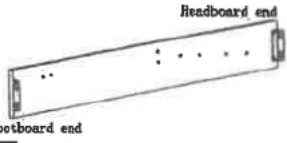
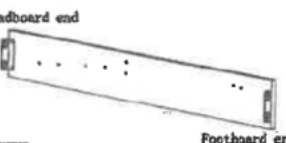








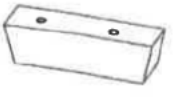




bed-Double/King (4ft6/5ft)

ASSEMBLY INSTRUCTIONS










These instructions are for a Double King bed frame.
Picture for reference only.



Parts List



| | | | |
|--|---|---|--|
|  1 Headboard 1pc |  2 Footboard 1pc |  3L Side Rail Left 1PC |  3R Side Rail Right 1PC |
|  4 Hinge 2pcs |  5 Reinforced Pipe 1pc |  6 Angle Iron 4pcs |  7 Gas Strut 2pcs |
|  8 Front And Rear Frameworks 2pcs |  9 Bedstead Side Pipe 2pcs |  10 Rope 1pc |  11 Bent Slats (4FT6 24pcs) (5FT 26pcs) |
|  12 Leg 4pcs |  13 Plastic Slat Caps (4FT6 24pcs) (5FT 26pcs) |  14 Centre Slat Caps (4FT6 12pcs) (5FT 13pcs) |  15 Bed Frame Central Pipe 1pc |
|  16 Centre Support Leg 2pcs | | | |

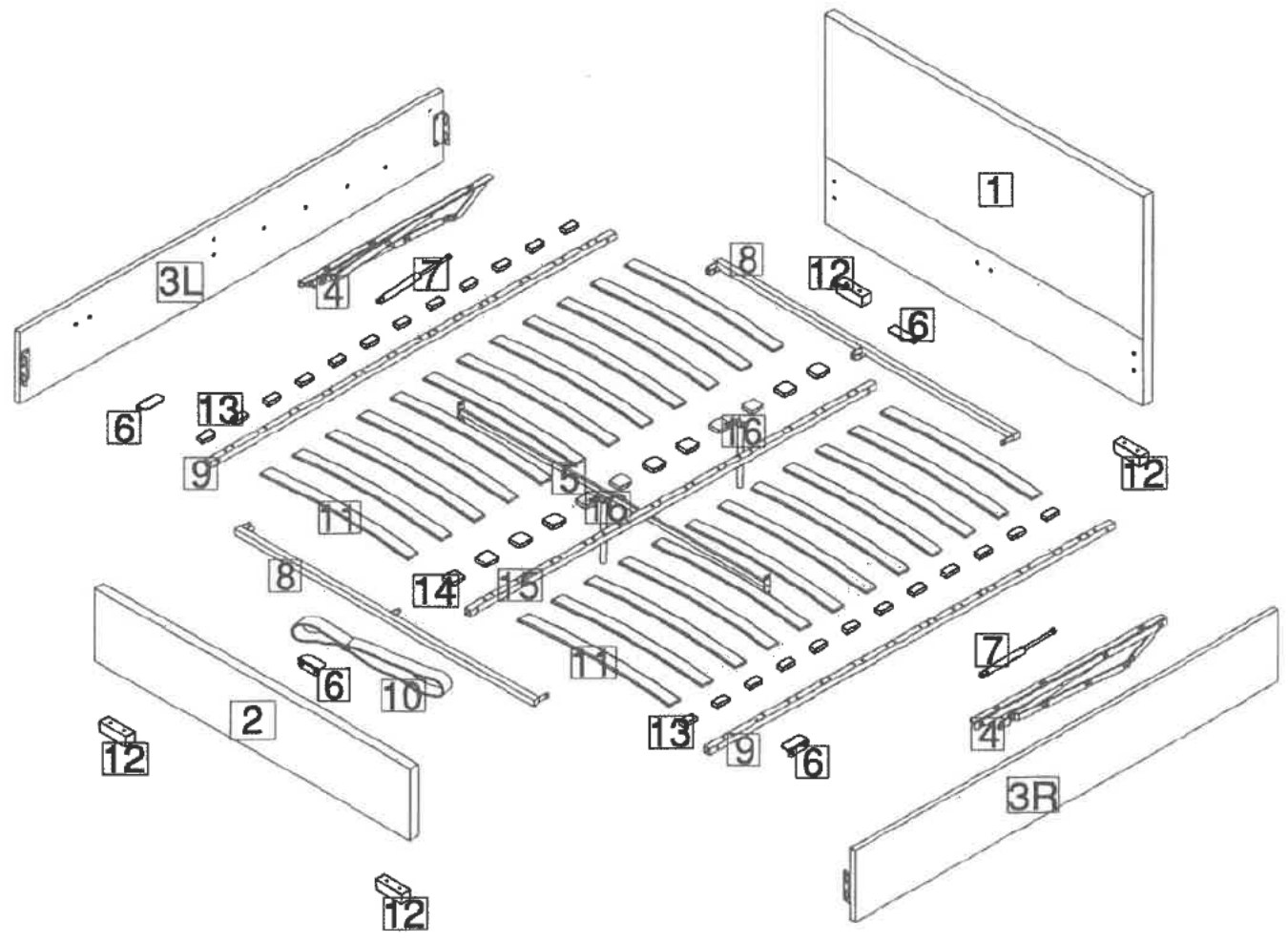
Hardware List

| | | | | |
|--|--|--|---|---|
|  A M8x40mm Bolt 6pcs |  B M8x30mm Bolt 8pcs |  C M8x18mm Bolt 8pcs |  D M6x15mm Bolt 12pcs |  E M6x35mm Bolt 10pcs |
|  F M8 Nut 10pcs |  G Spanner 1PC |  H Allen Key 1PC |  L Flat Washer 2PCS | |

NOTE

The M8 bolts J are pre-installed in the headboard and footboard and bolts K are pre-installed in the side rails. Loosen them by turning them anti-clockwise until they are about 12mm out to begin assembly with other parts of the bed frame.

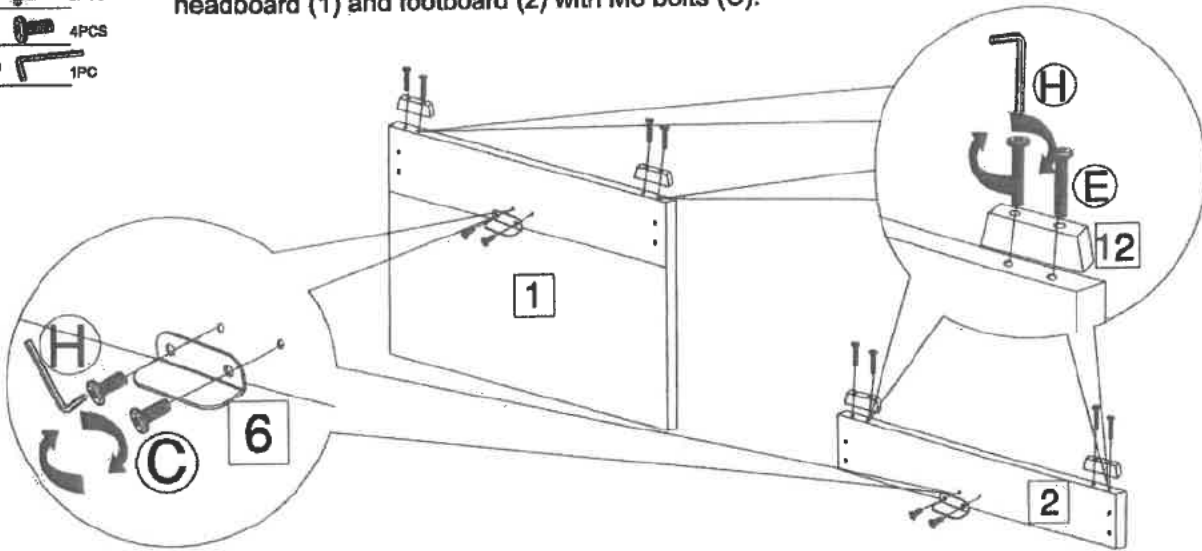
| | |
|--|--|
|  J M8x25mm Bolt 8PCS |  K M8x16mm Bolt 4PCS |
|--|--|



Step 1:

- Ⓔ 8PCS
- Ⓒ 4PCS
- Ⓕ 1PC

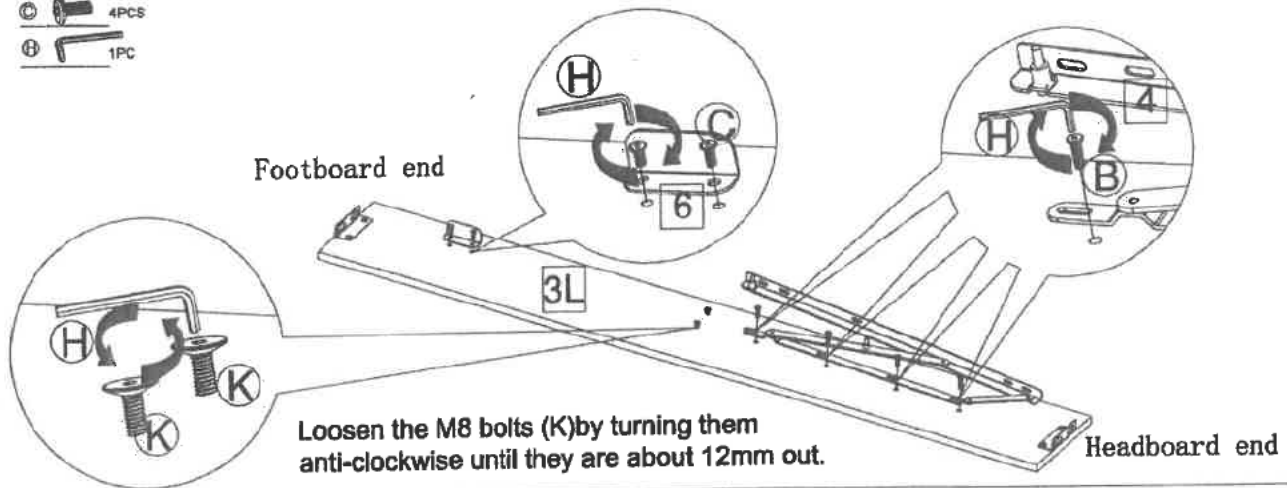
Attach the legs (12) to the headboard (1) and footboard (2) with M6 bolts (E). Then attach the angle irons (6) to the headboard (1) and footboard (2) with M8 bolts (C).



Step 2:

- Ⓐ 4PCS
- Ⓑ 8PCS
- Ⓒ 4PCS
- Ⓕ 1PC

Attach the angle iron (6) to the side rail (3L) with M8 bolts (C) at the footboard end. Then attach the hinge (4) to the side rail (3L) at the headboard end with M8 bolts (B) as shown below. Repeat the assembly process for the other side rail.

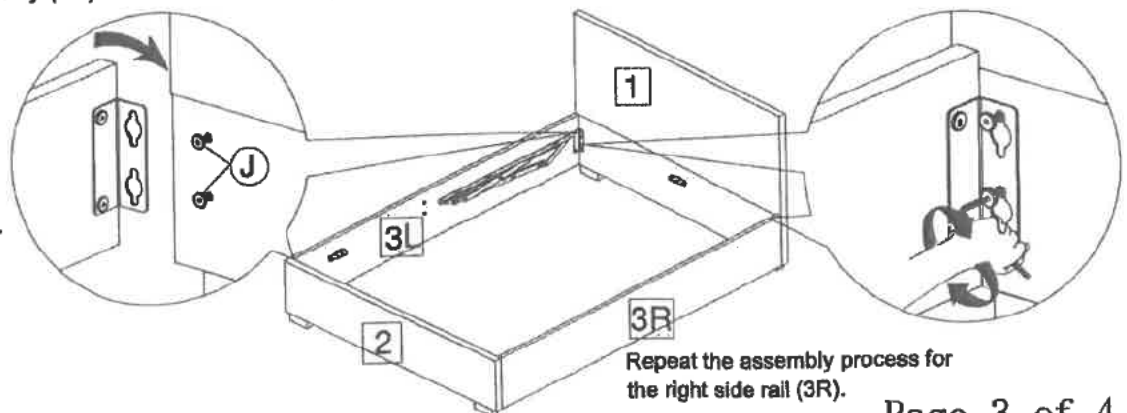


Step 3:

- Ⓐ 8PCS
- Ⓕ 1PC

Loosen the M8 bolts (J) by turning them anti-clockwise until they are about 12mm out before attaching the side rail assembly (3L) to the headboard (1) and footboard (2).

Ensure the the entire assembly is a regular rectangle as shown below.

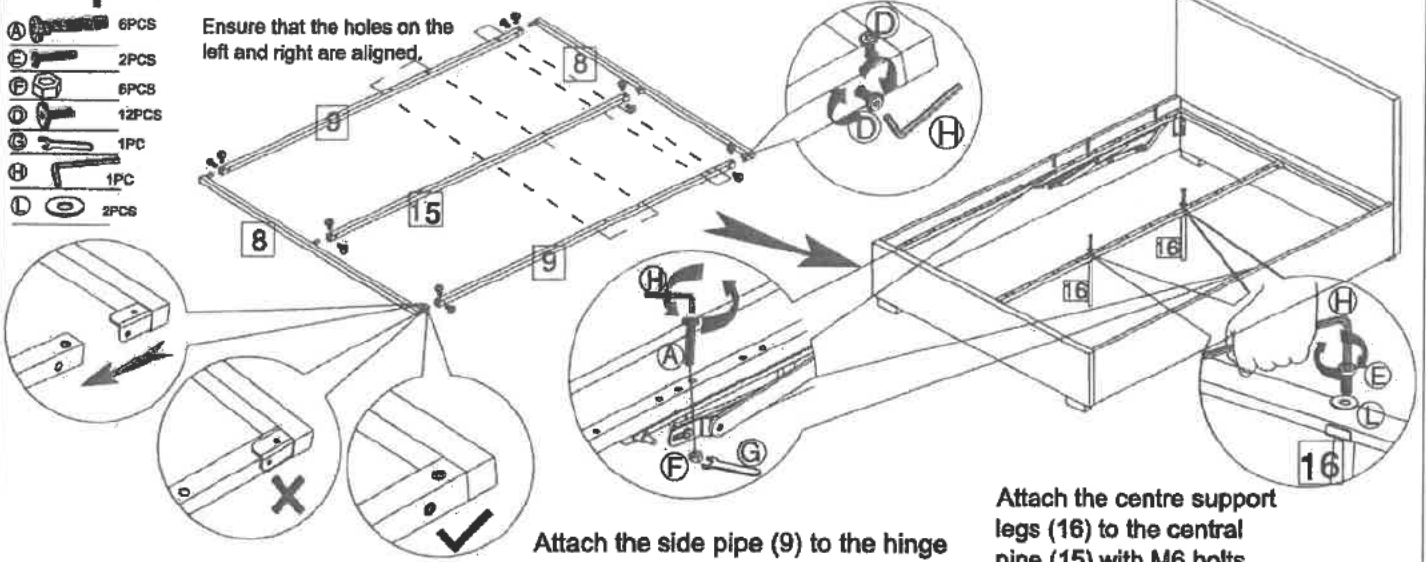


Step 4:

Assemble the interior framework (8,9 and 15) as shown with M6 bolts (D).

- A 6PCS
- B 2PCS
- C 6PCS
- D 12PCS
- E 1PC
- F 1PC
- G 1PC
- H 2PCS

Ensure that the holes on the left and right are aligned.



Attach the side pipe (9) to the hinge (4) with M8 bolt (A) and M8 nut (F).

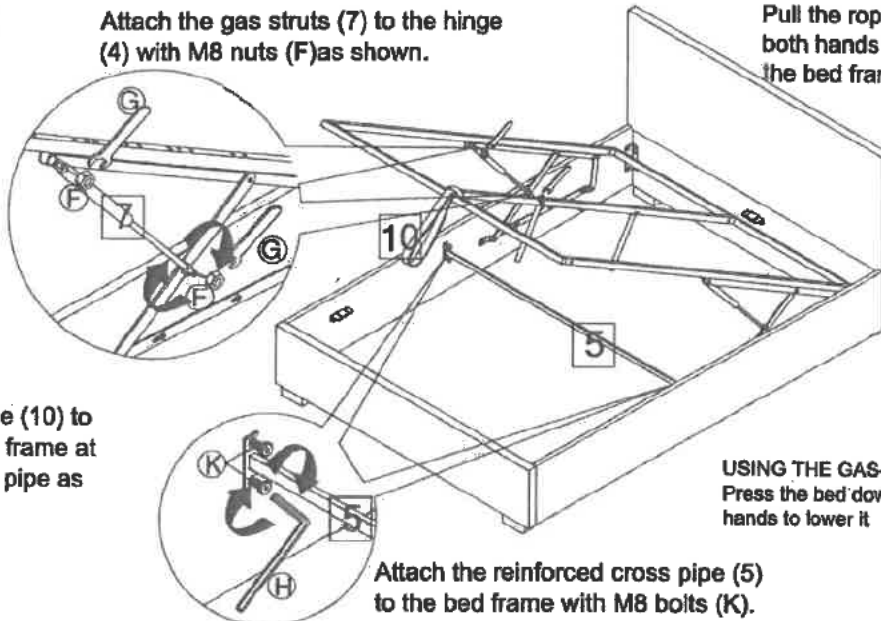
Attach the centre support legs (16) to the central pipe (15) with M6 bolts (D) (E) (L) as shown.

Step 5:

Attach the gas struts (7) to the hinge (4) with M8 nuts (F) as shown.

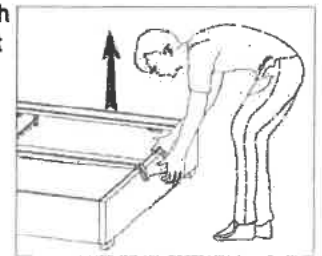
- I 4PCS
- J 4PCS
- K 1PC
- L 1PC
- M 1PC

Pull the rope with both hands to lift the bed frame.



Tie the rope (10) to the interior frame at the central pipe as shown.

Attach the reinforced cross pipe (5) to the bed frame with M8 bolts (K).



USING THE GAS-LIFT BED
Press the bed down with two hands to lower it

Step 6:

Attach the plastic slat caps (13) to each slat (11) at the side Then press down the hole corresponding to the side pipe (9).

- 13 4FT6 24pcs
5FT 26pcs
- 14 4FT6 12pcs
5FT 13pcs

Attach the centre slat caps (14) between two slats (11) at the centre Then press down the hole corresponding to the side pipe (15).

