



8 Degree™

Undermount single-bowl large kitchen sink
K-3673

Features

- 36" minimum base cabinet width.
- Single bowl.
- 9-3/4" depth provides generous workspace.
- Offset drain increases workspace in the sink and storage space underneath.
- Includes installation hardware, wineglass rack, and bottom sink rack.

Material

- Handcrafted from 16-gauge stainless steel.
- Premium 16-gauge stainless steel.

Installation

- Undermount.

Recommended Products/Accessories

- K-6137 Sink Rack
- K-8801 Sink drain and strainer with tailpiece
- K-8799 Sink drain and strainer basket
- K-23726 Drain treatment
- K-23729 Stainless steel cleaner

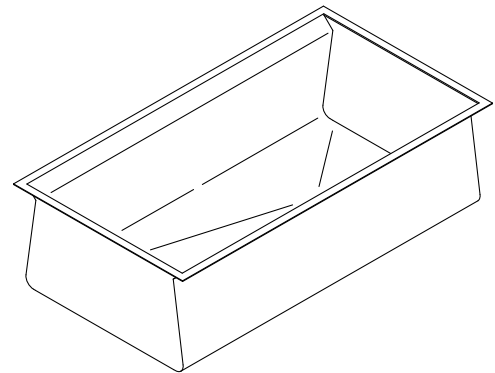
Optional Products/Accessories

- K-3140 Cutting Board
- K-11352 Disposal Flange with Stopper

Included Components

Additional Components:

- Hardware kit(s)
- Wine glass rack
- bottom bowl rack

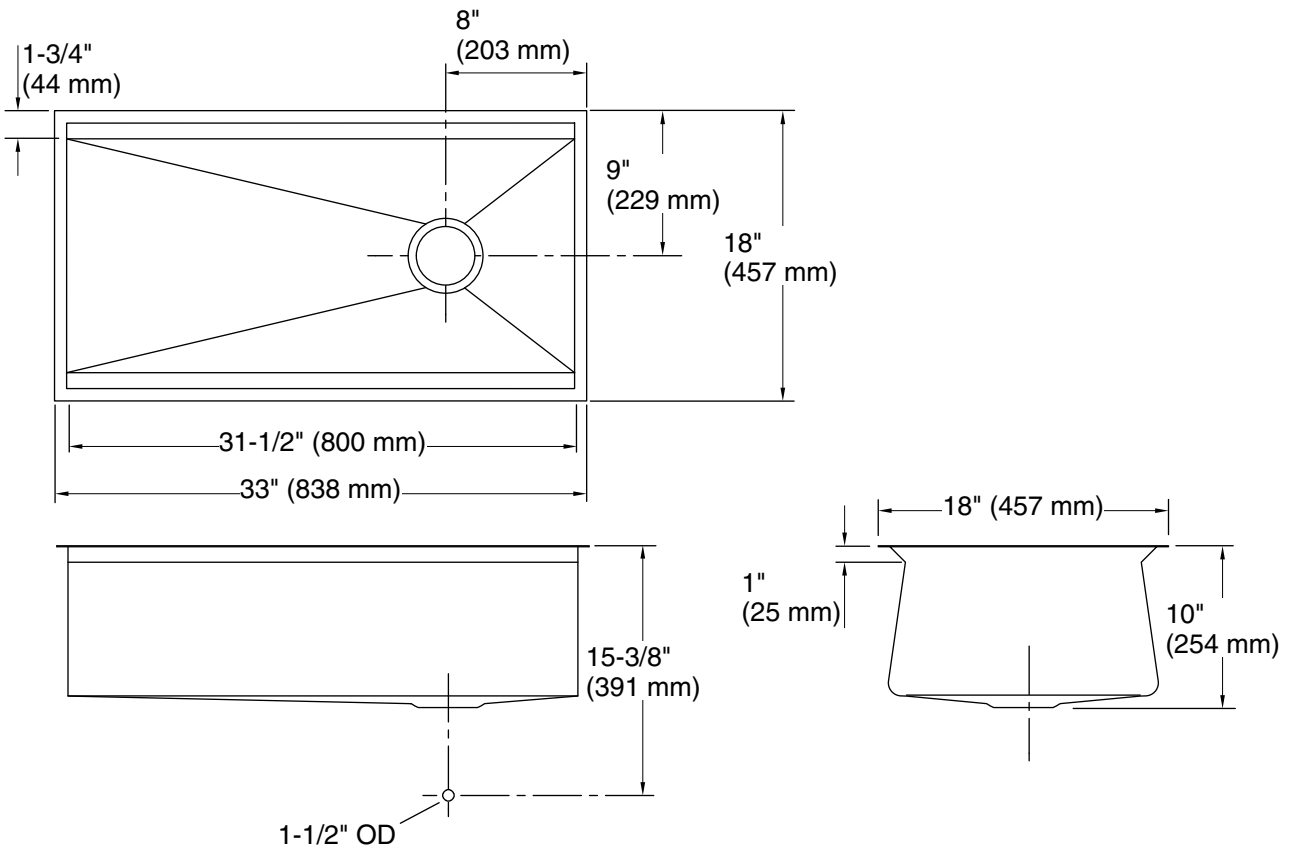


Codes/Standards

ASME A112.19.3/CSA B45.4

Lifetime Limited Warranty for KOHLER® Stainless Steel Sinks

See website for detailed warranty information.



Technical Information

All product dimensions are nominal.

Bowl configuration:	Single
Installation:	Undermount
Min. base cabinet width:	36" (914 mm)
Bowl area (Only):	Length: 31-1/2" (800 mm) Width: 16-1/2" (419 mm) Bowl depth: 9-3/4" (248 mm) Water depth: 9-3/4" (248 mm)
Drain hole:	3-5/8" (92 mm)
Template:	1093327-7, required, included

Notes

Install this product according to the installation instructions.