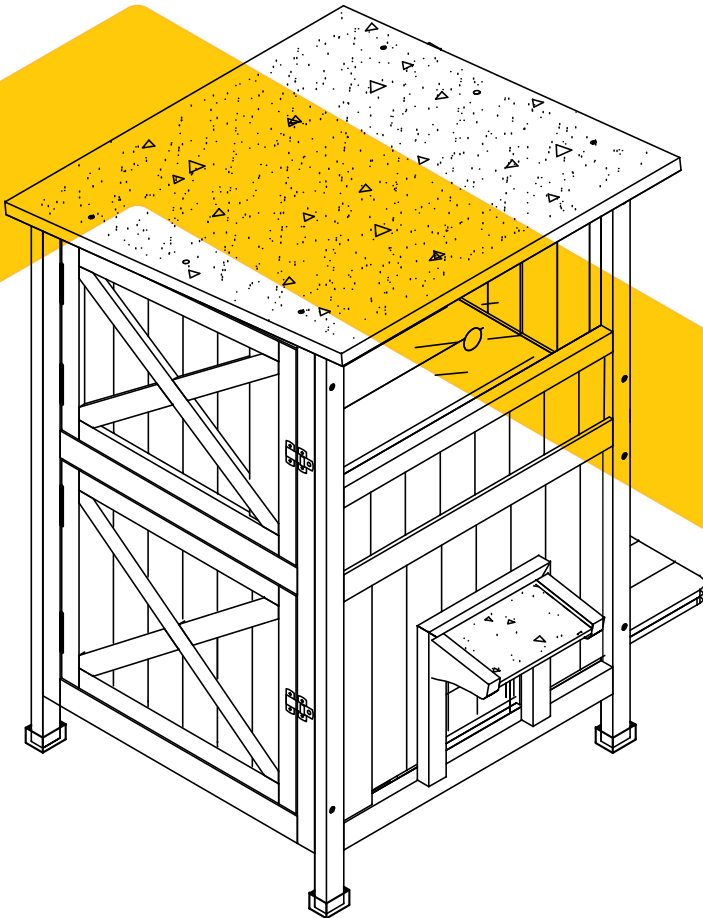


# INSTRUCTION MANUAL





## NOTICE

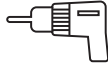
Please retain these instructions for future reference.

- Firmly secure all bolts,screws and knobs before use.
- Reconfirm that all bolts,screws,and knobs are secure every 90 days.
- Fasten screws loosely during initial assembly. Do not fully tighten screws until the item is completely assembled.
- Do not use or store this item in the proximity of open flame or flammable/combustible chemicals.
- Be aware that some parts are heavy and have sharp edges.
- Be aware that moving parts can injure,crush and cut.
- If any parts are missing,broken,damaged,or worn,stop using this product until repairs are made and/or factory replacement parts are installed.
- Do not use this item in a way inconsistent with the manufacturer' s instructions as this could void the product warranty.

## TOOLS REQUIRED //



PHILLIPS  
SCREWDRIVER



DRILL  
(RECOMMENDED)



2PERSON  
ASSEMBLY



APPROXIMATELY  
30MIN. ASSEMBLY

## HARDWARE //

M4.0x40mm SCREW  
4PCS+1 spare



P1

M3.5x45mm SCREW  
12PCS+1 spare



P2

M3.5x35mm SCREW  
4PCS +1spare



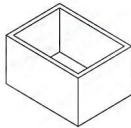
P3

M3.5x25mm SCREW  
4PCS +1spare



P4

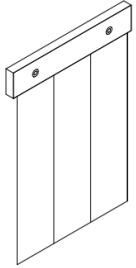
Plastic Feets  
4PCS



P5

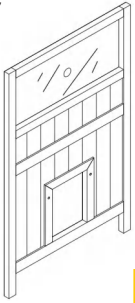
# PARTS

PVC curtain  
2PCS



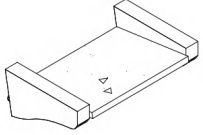
A

Front panel  
1 PC



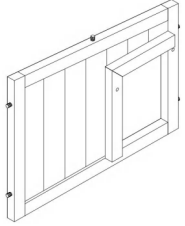
B

Roof Overhang  
2PCS



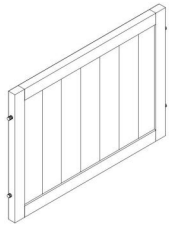
C

Upper panel- Right side  
1PC



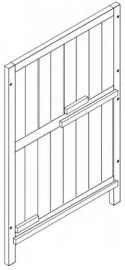
D

Down panel- Right side  
1PC



E

Back panel  
1 PC



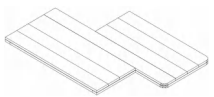
F

Left panel  
1PC



G

Layer panel- Upper  
1PC



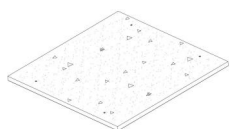
H

Layer panel- Down  
1PC



I

Roof  
1PC

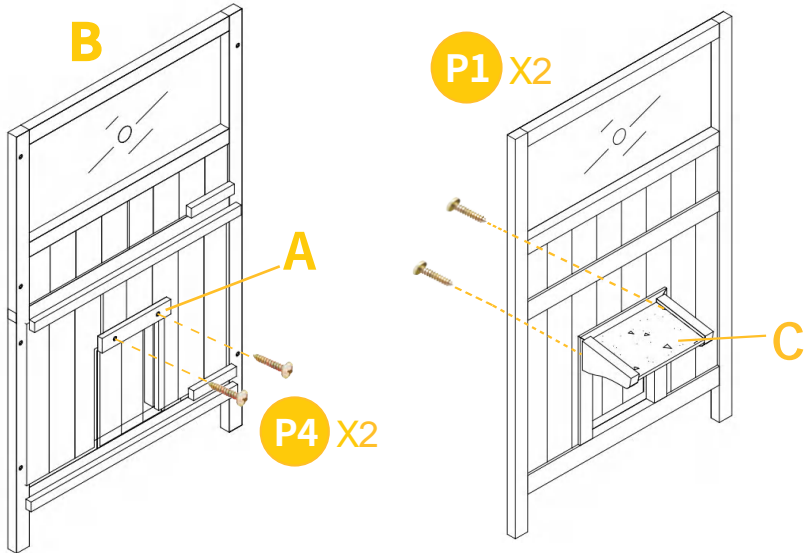


J

# PRODUCT ASSEMBLY //

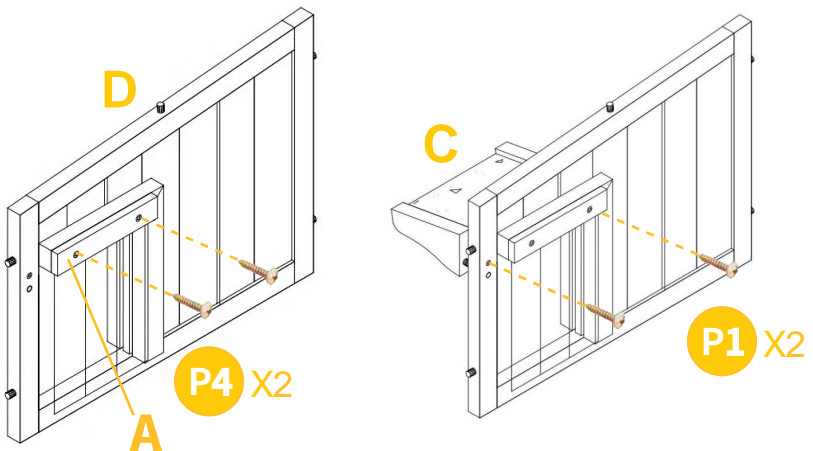
## 01

Screw the curtain Part A to the INSIDE of Part B by 2xP4.  
Screw Part C to the INSIDE of Part B by 2xP1.



## 02

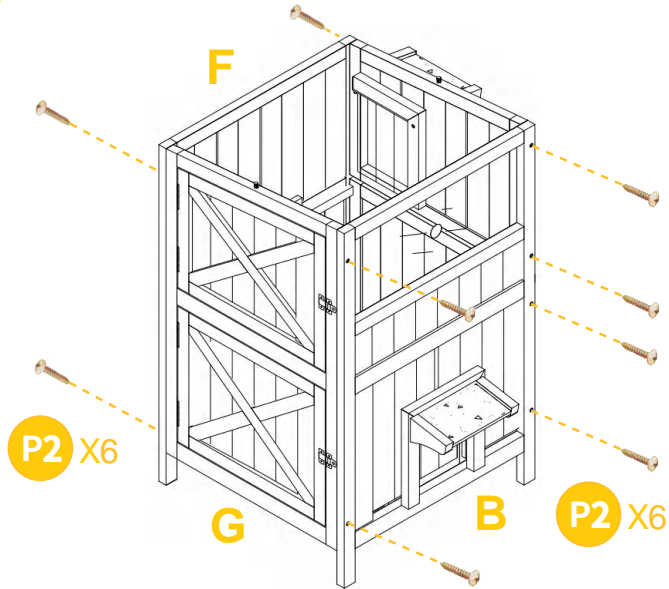
Screw the curtain Part A to the INSIDE of Part D by 2xP4.  
Screw Part C to the INSIDE of Part D by 2xP1.



## PRODUCT ASSEMBLY //

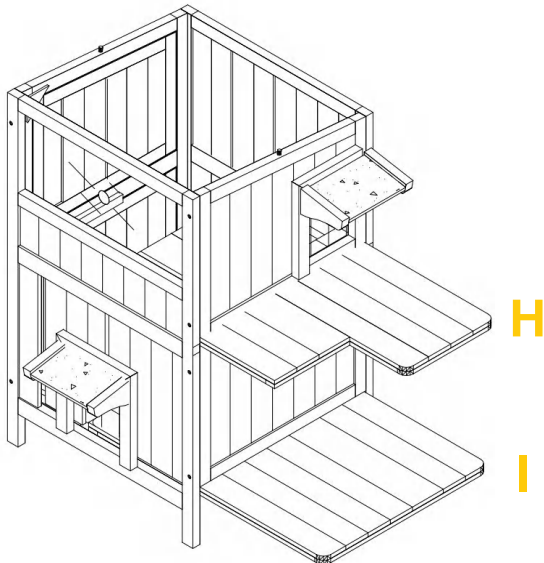
03

Screw Part B, F, G and the right panel by 6xP2 on each side.



04

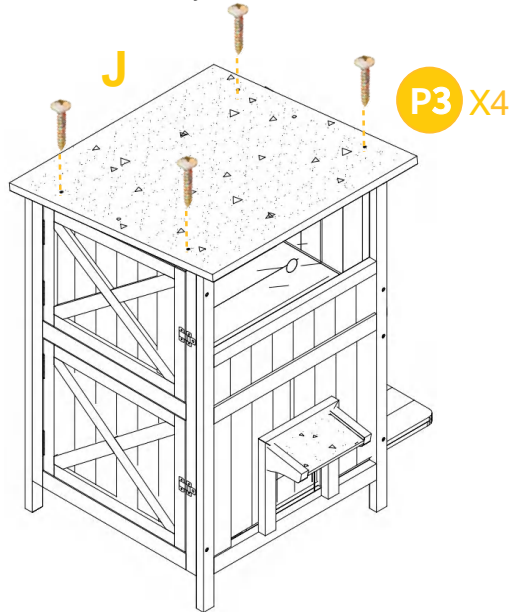
Slide in the two layer panels.



## PRODUCT ASSEMBLY //

05

Attach the roof Part J by 3xP4.



06

Attach 4pcs of P4 to the feet of the cat house.

